

COLORS



1973 CODES AND IDENTIFICATION

Code	Name	Calais & De Ville	Eldorado Coupe	Eldorado Convertible	Brougham	Manufacturer's Identification
11	Cotillion White	8.0%	11.9%	16.6%	6.8%	870-3967 L 67 WD 007 926-99642
13	Georgian Silver	2.9	1.7	1.4	2.7	870-4322 L 68 AD 037 927-AF695
18	Park Avenue Gray	1.2	.8	.7	3.1	870-4306 L 68 AD 038 927-AF696
19	Sable Black	3.0	5.8	6.4	12.1	870-848 L 67 KD 005 926-96459
24	Antigua Blue	8.6	5.0	4.8	4.6	870-4313 L 68 BD 093 927-AF681
29	Diplomat Blue	5.0	3.5	3.7	9.7	870-4447 L 68 BD 097 927-AF790
39	Garganey Teal					870-4315 L 68 BD 095 927-AF759
44	Sage	6.9	3.0	2.2	3.0	870-4316 L 68 GD 078 927-AF683
49	Forest Green	4.1	3.1	2.5	5.3	870-4317 L 68 GD 076 927-AF697
54	Renaissance Gold	9.0	3.0	1.4	4.0	870-4318 L 68 LD 032 927-AF698
63	Laredo Tan	3.4	1.7	1.1	2.6	870-4042 L 68 RD 026 927-99921
64	Mirage Taupe					870-4319 L 68 AD 034 927-AF688
68	Burnt Sienna	11.1	7.9	5.0	8.6	870-4328 L 68 ND 045 927-AF689
72	Dynasty Red	5.0	9.2	17.2	1.3	870-4460 L 67 RD 048 926-AF801
81	Harvest Yellow	12.6	6.0	4.2	5.8	870-4441 L 67 YD 046 926-AF775

FIREMIST COLORS AT EXTRA CHARGE

90	Shadow Taupe					L 68 AD 035 927-AF703
92	St. Tropez Blue	2.4	7.9	8.8	4.3	L 68 BD 091 927-AF701
94	Phoenix Gold	2.0	5.2	3.1	4.5	L 68 LD 033 927-AF702
95	Oceanic Teal					L 68 BD 092 927-AF700
96	Viridian	2.2	7.2	7.2	2.9	L 68 GD 077 927-AF704
99	Saturn Bronze					L 68 ND 046 927-AF705

The above 1973 codes and identification chart shows color popularity by model for the previous year. Percentages are not indicated for colors without a 1972 counterpart; therefore, total will not equal 100%. This information is offered as a guide and does not reflect regional popularity

influenced by climatic conditions. The manufacturer's identification numbers are listed in the column at right. Inmont numbers begin with L. Eight-digit codes are Dupont, Forbes' codes begin with 8. (Forbes does not furnish Firemist.)

EXTERIOR INFORMATION

EXTERIOR COLORS

In 1973, Cadillac offers 21 exterior color selections. Six Firemist colors are available at extra charge including new colors Taupe, Teal and Bronze. The 15 regular colors include a new Dk. Teal, Silver, Taupe, Tan and Yellow. 19 of the 21 colors offered are entirely new for 1973 and 12 are exclusively Cadillac.

ACCENT STRIPE

A new design Accent Stripe is available on the Eldorado, when a color is specified. If no Accent Stripe color is specified, it will be omitted. The Accent Stripe consists of four fine line paint stripes, two at the top break line on the hood bevel and two at the lower break line. Two new colors are offered in 1973, Taupe (Code 4) and Orange (Code 7).

ACCENT STRIPE			
Styles H E			
1	Black	5	Green
2	White	6	Gold
3	Blue	7	Orange
4	Taupe	8	Red

VINYL ROOFS

Two (2) new Vinyl Roof colors are available for 1973, Taupe (Code P) and Maize (Code M). The Green Vinyl Roof (Code N) is a new darker shade than was offered in the 1972 model. The White, Black, Blue, Beige and Brown Vinyl Roof colors closely resemble those offered in the 1972 model. The Vinyl Roof option is available on the DeVille series, Eldorado Coupe and Fleetwood "75" series at extra charge and is standard on the Brougham.

VINYL ROOFS		
J	White	12J
K	Black	12K
L	Dk. Blue	12L
M	Med. Maize	12M
N	Dk. Green	12N
P	Taupe	12P
S	Lt. Beige	12S
X	Dk. Brown	12X

CONVERTIBLE TOPS

Five (5) Convertible Top colors are available for 1973 including a new color Maize (Code M). Also available are White, Black, Blue and Beige. The unique inward folding top, which stores behind the rear seat and flush with the body opening, provides comfortable seating for three passengers in the rear seat.

CONVERTIBLE TOPS		
A	White	11A
B	Black	11B
C	Dk. Blue	11C
M	Med. Maize	11M
E	Lt. Beige	11E

CONVERTIBLE TOP BOOT - HARD (2 PIECE-CODE A I)

A plastic Convertible Top Boot in exterior car color is optional. This two piece dust boot appears as an extension of the rear deck lid and tailors the top down appearance. When not in use, the boot may be easily stored in two sections in the trunk.

ELK GRAIN VINYL ROOFS

Nine (9) Elk Grain Vinyl Roof colors are available on the Eldorado Coupe when the Custom Cabriolet Option with or without Sunroof Option is specified. Two new colors, Red (Code V) and Taupe (Code Y), are offered in 1973. Also Blue (Code G) and Green (Code Q) have been darkened.

The same Elk Grain Vinyl colors are also offered on the Brougham d'Elegance Option except Red. Red is available only on the Cabriolet options.

ELK GRAIN VINYL ROOFS		
D	White	YN2
F	Black	YN3
G	Dk. Blue	YN4
H	Med. Gold	YN5
Q	Dk. Green	YN6
T	Dk. Brown	YN7
V	Red	YN9
W	Lt. Beige	YN8
Y	Taupe	YP9

TAUPE VINYL ROOF OPTION CANCELLED

CLOTH

1973 CADILLAC UPHOLSTERY OPTIONS

COUPE J		<i>De Ville</i>		SEDAN B
Inserts Cloth			Bolsters Leather	
311	Black	Medallion	Black	611
326	Dk. Blue	Medallion	Ant. Dk. Blue	626
329	Dk. Teal	Mirabelle	Ant. Dk. Teal	629
331	Dk. Jade	Medallion	Ant. Dk. Jade	631
342	Med. Beige	Mirabelle	Ant. Med. Beige	642
344	Med. Maize	Mirabelle	Ant. Med. Maize	644
347	Dk. Taupe	Medallion	Ant. Dk. Taupe	647
Bench Seat is standard with 300 series codes.			600 series codes include extra charge Dual Comfort Seat which is optional on Coupe and Sedan de Ville.	

COUPE G		<i>Calais</i>		SEDAN N
Inserts Cloth			Bolsters Vinyl	
211	Black	Mayfair	Black	
226	Dk. Blue	Mayfair	Ant. Dk. Blue	
229	Dk. Teal	Mayfair	Ant. Dk. Teal	
231	Dk. Jade	Mayfair	Ant. Dk. Jade	
242	Med. Beige	Mayfair	Ant. Med. Beige	
244	Med. Maize	Mayfair	Ant. Med. Maize	
EXPANDED VINYL – EXTRA CHARGE				
251	Black	285	Ant. Dk. Saddle	

FLEETWOOD ELDORADO COUPE H				
Inserts Cloth			Bolsters Vinyl	
411	Black & White	Manchester	Black	911
426	Dk. Blue	Manchester	Ant. Dk. Blue	926
429	Dk. Teal	Manchester	Ant. Dk. Teal	929
431	Dk. Jade	Manchester	Ant. Dk. Jade	931
442	Med. Beige	Manchester	Ant. Med. Beige	942
444	Med. Maize	Manchester	Ant. Med. Maize	944
447	Dk. Taupe	Manchester	Ant. Dk. Taupe	947
Bench seat is standard with 400 series codes.				
900 Series codes include extra charge Dual Comfort Seat which is optional on Eldorado Coupe.				

BROUGHAM P	FLEETWOOD				"75" SEDAN R LIMOUSINE S
	Inserts Cloth		Bolsters Leather		
011	Black	Magi	Black	711	
026	Dk. Blue	Magi	Ant. Dk. Blue	726	
029	Dk. Teal	Magi	Ant. Dk. Teal		
031	Dk. Jade	Magi	Ant. Dk. Jade		
All Cloth – Inserts & Bolsters					
		Med. Gray	Potomac	719	
024	124	Dk. Blue	Medici		
042	142	Med. Beige	Medici	742	
044	144	Med. Maize	Medici		
047	147	Dk. Taupe	Medici		
Dual Comfort Seat is standard on Brougham.			Bench Seat is standard on Fleetwood Seventy-Five. Limousine front compartment is black leather.		
100 Series trim codes are used to order extra charge "Brougham d' Elegance" Option.					

LEATHER

1973 CADILLAC UPHOLSTERY OPTIONS

COUPE J	<i>De Ville</i>	SEDAN B
LEATHER – EXTRA CHARGE		
351	Black	651
352	White–Black Carpet	652
353	White–Blue Carpet	653
354	White–Scarlet Carpet	654
357	White–Jade Carpet	657
366	Antique Dk. Blue	666
371	Antique Dk. Jade	671
382	Antique Lt. Sandalwood	682
384	Antique Med. Maize	684
385	Antique Dk. Saddle	685
387	Antique Dk. Taupe	687
388	Med. Scarlet	688
Bench Seat is standard with 300 series codes.		600 series codes include extra charge Dual Comfort Seat which is optional on Coupe and Sedan de Ville.

FLEETWOOD				
BROUGHAM P		LEATHER – EXTRA CHARGE EXCEPT CONVERTIBLE	ELDORADO COUPE CONVERTIBLE	H E
051		Black	451	951
052		White–Black Carpet	452	952
053	153	White–Blue Carpet	453	953
		White–Scarlet Carpet	454	954
		White–Jade Carpet	457	957
155		White–Beige Carpet	–	–
158		White–Maize Carpet	–	–
159		White–Taupe Carpet	–	–
066	166	Antique Dk. Blue	466	966
071		Antique Dk. Jade	471	971
082	182	Antique Lt. Sandalwood	482	982
084	184	Antique Med. Maize	484	984
085	185	Antique Dk. Saddle	485	985
087	187	Antique Dk. Taupe	487	987
088		Med. Scarlet	488	988
Dual Comfort Seat is standard on Brougham.			Bench Seat is standard with 400 series codes.	
100 Series Codes Designate "Brougham d'Elegance" Option.			900 Series codes include extra charge Dual Comfort Seat which is optional on Eldorado Coupe and Convertible.	

NEW OPTION CODING

In response to many dealer requests, the Sales codes used to identify optional equipment and accessories in the 1973 Model have been changed to eliminate duplications. In order to obtain this objective, it was necessary to change existing codes for certain options and to assign new two character codes to others.

Examples of these changes are:

Bumper Impact Strips - In 1973, the new Sales code will be "P". In the 1972 Model, the code was "V", which was also used to identify 6 Way Passenger Seat Adjuster.

Convertible Top Hard Boot - In 1973, the new two character code will be "AI". In the 1972 Model, the code was "G" which was also used to identify the Controlled Differential option.

The elimination of duplicate codes will be of significant value in lessening the possibility of ordering options incorrectly.

It must be emphasized that on those options identified by a two character code both characters must be specified at all times. Following is a list of options whose codes have been changed showing both the new and the former codes.

OPTION	NEW CODE	FORMER CODE
Eldorado Custom Cabriolet without Sunroof Option	H	L
Eldorado Custom Cabriolet Sunroof Option	Z	C
Bumper Impact Strips	P	V
Trunk Mat	I	P
Defogger, Rear Window - Electric	N	A
Mirror, Right Side Remote Control	AB	I
License Frame - Rear	AE	5
License Frames - Front and Rear	AF	6
Horn - Trumpet	AG	H
Track Master	AH	X
Convertible Top Boot - Hard	AI	G
3:15 to 1 Rear Axle Ratio	AJ	Z
Trailer Package	AK	R
Shoulder Belts - Front	AL	S

Cadillac 1973 EQUIPMENT

OPTIONS

BASIC GROUPS			EQUIPMENT GROUPS							
1	RADIO, AM-FM STEREO-TAPE PLAYER Pushbutton with Power Antenna (V4A)		Group 1 Y31							
2	RADIO, AM-FM STEREO-SIGNAL SEEKING with Power Antenna (V4C)		Group 2 Y32							
3	RADIO, AM-FM PUSHBUTTON with Power Antenna (V4G)		Group 3 Y33							
4	RADIO, AM-FM STEREO-SIGNAL SEEKING Rear Control ("75" only) w/Power Antenna (V4E)		Group 4 Y34							
5	RADIO, AM-FM STEREO-TAPE PLAYER Pushbutton w/Windshield Antenna (V4B)		Group 5 V4J							
6	RADIO, AM-FM STEREO-SIGNAL SEEKING w/Windshield Antenna (V4D)		Group 6 V4K							
7	RADIO, AM-FM PUSHBUTTON w/Windshield Antenna (V4H)		Group 7 V4L							
8	RADIO, AM-FM STEREO-SIGNAL SEEKING Rear Control ("75" only) w/Windshield Antenna (V4F)		Group 8 V4M							
W	TIRES, FIBERGLASS BIAS BELTED WHITEWALL (5) (Q03)	W	W	W	W	W	W	W	W	
E	GLASS-SOFT RAY (A01)	E	E	E	E	E	E	E	E	
D	DOOR EDGE GUARDS (B93)	D	D	D	D	D	D	D	D	
K	AUTOMATIC CLIMATE CONTROL (C61)	K	K	K	STD.	K	K	K	STD.	
B	LAMP MONITOR SYSTEM (YM8)	B	B	B	B	B	B	B	B	
P	BUMPER IMPACT STRIPS (VE5)	P	P	P	P	P	P	P	P	
Y	SEAT ADJUSTER, POWER FRONT 6-Way Bench (A42) 6-Way Driver's Dual Comfort (AG1)	Y	Y	Y	Y Except Style S	Y	Y	Y	Y Except Style S	

EQUIPMENT GROUPS

Group 9 (Y38)		
M	DOOR LOCKS, POWER (AU3/AU5)	
Q	STEERING WHEEL, TILT & TELESCOPE (N37)	
T	TRUNK LOCK, REMOTE CONTROL (A90)	
F	FLOOR MATS, RUBBER (Y28)	
I	TRUNK MAT (B36)	

Group 0 (Y39)		
J	TWILIGHT SENTINEL (T82)	
N	DEFOGGER, REAR WINDOW-ELECTRIC (C49)	
C	CRUISE CONTROL (K30)	
U	HEADLAMP CONTROL, GUIDE-MATIC (T80)	

ORDER INDIVIDUALLY

S	SUNROOF (CA1)
H	ELDORADO CUSTOM CABRIOLET WITHOUT SUNROOF OPTION (ELDORADO COUPE ONLY) (YP3)
Z	ELDORADO CUSTOM CABRIOLET SUNROOF OPTION (ELDORADO COUPE ONLY) (YN1)
R	TIRES-STEEL BELTED RADIAL WHITEWALL (5) (QD4)
	DUAL COMFORT SEAT (AM6)
V	SEAT ADJUSTER-POWER FRONT 6-Way Passenger Dual Comfort (AG2) Only When Code "Y" is Ordered
X	MOUNTING BRACKET-LICENSE PLATE FRONT (VK3)
O	OPERA LAMPS (BROUGHAM & "75" ONLY) (C93)
G	CONTROLLED DIFFERENTIAL (NOT ON ELDORADO) (G80)
L	LEVEL CONTROL, AUTOMATIC (G67)

AB	MIRROR-RIGHT SIDE REMOTE CONTROL (DF3)
AC	MIRROR-VISOR ILLUMINATED (D64)
AD	THERMOMETER-L.H. OUTSIDE MIRROR (D65)
AE	LICENSE FRAME-REAR (ONE) (V50)
AF	LICENSE FRAMES-FRONT & REAR TWO (V51)
AG	HORN-TRUMPET (UB8)
AH	TRACK MASTER (JL9)
AI	CONVERTIBLE TOP BOOT-HARD (CO2)
AJ	3.15 to 1 REAR AXLE RATIO (G90)
AK	TRAILERING PACKAGE (YM7)
AL	SHOULDER BELTS FRONT (CONVERTIBLE ONLY) (A85)
AM	THEFT DETERRENT SYSTEM (UA6)
AN	CALIFORNIA EMISSION TEST (VJ9)
AT-A4	DELUXE ROBE AND PILLOW (B81)

OPTIONS



1973 EQUIPMENT

	CALAIS		DE VILLE	
	Coupe G	Sedan N	Coupe J	Sedan B
FIREMIST COLOR - Exterior	\$	\$	\$	\$
VINYL ROOF C09	N/A	N/A		
S SUNROOF CA1	N/A	N/A		
H ELDORADO CUSTOM CABRIOLET without Sunroof Option YP3	N/A	N/A	N/A	N/A
Z ELDORADO CUSTOM CABRIOLET SUNROOF OPTION YN1	N/A	N/A	N/A	N/A
BROUGHAM d'ELEGANCE	N/A	N/A	N/A	N/A
EXPANDED VINYL UPHOLSTERY - Standard Options				
LEATHER UPHOLSTERY - Standard Options	N/A	N/A		
DUAL COMFORT SEAT AM6	N/A	N/A		
R TIRES - Steel Belted Radial Whitewall (5) QD4				
W TIRES - Fiberglass Belted Bias Whitewall (5) QO3 or QO8				
1 RADIO - AM-FM Stereo with Tape Player - Power Antenna V4A				
2 RADIO - AM-FM Stereo Signal Seeking - Power Antenna V4C				
3 RADIO - AM-FM Push Button - Power Antenna V4G				
4 RADIO - AM-FM Stereo Rear Control - Power Antenna V4E	N/A	N/A	N/A	N/A
5 RADIO - AM-FM Stereo with Tape Player - Windshield Antenna V4B				
6 RADIO - AM-FM Stereo Signal Seeking - Windshield Antenna V4D				
7 RADIO - AM-FM Push Button - Windshield Antenna V4H				
8 RADIO - AM-FM Stereo Rear Control - Windshield Antenna V4F	N/A	N/A	N/A	N/A
E GLASS - SOFT RAY AO1				
D DOOR EDGE GUARDS B93				
K CLIMATE CONTROL - Automatic C61				
B LAMP MONITORS Includes Washer Level Monitor YM8				
P BUMPER IMPACT STRIPS VE5				
Y SEAT ADJUSTER - 6-Way Front - Bench A42 6-Way Driver - Dual Comfort AG1	N/A	N/A		
V SEAT ADJUSTER - 6-Way Passenger - Dual Comfort AG2	N/A	N/A		
M DOOR LOCKS - Power AU3 AU5 *Includes Electric Backrest Release	*	*		
Q STEERING WHEEL - Tilt and Telescope N37				
T TRUNK LOCK - Remote Control A90				
F FLOOR MATS - Rubber Y28 Y36 BG2				
I TRUNK MAT - Rubber B36				
J TWILIGHT SENTINEL T82				
N DEFOGGER - Rear Window C49				
C CRUISE CONTROL K30				
U HEADLAMP CONTROL - Guidematic T80				
X MOUNTING BRACKET - License Plate Front VK3	N/C	N/C	N/C	N/C
O OPERA LAMPS C93	N/A	N/A	N/A	N/A
G CONTROLLED DIFFERENTIAL G80				
L LEVEL CONTROL - Automatic G67				
AB MIRROR - Remote Control, Right Side DF3				
AC MIRROR - Visor Illuminated D64				
AD THERMOMETER - Left Hand Outside Mirror D65				
AE LICENSE FRAME - One V50				
AF LICENSE FRAMES - Two V51				
AG HORN - Trumpet UB8				
AH TRACK MASTER JL9				
AI CONVERTIBLE TOP BOOT - Hard CO2	N/A	N/A	N/A	N/A
AJ 3.15 to 1 AXLE RATIO G90	N/C	N/C	N/C	N/C
AK TRAILERING PACKAGE YM7				
AL SHOULDER BELTS - FRONT A85	STD	STD	STD	STD
AM THEFT DETERRENT SYSTEM UA6				
AN CALIFORNIA EMISSION TEST VJ9				
A1-A4 DELUXE ROBE AND PILLOW BH1				

LEGEND

N/C	No Charge		Extra Charge Option
N/A	Not Available		
STD	Standard - No Charge		Special Order - Extra Charge



OPTIONS

1973 EQUIPMENT

	FLEETWOOD				
	Eldorado Coupe H	Eldorado Convertible E	Brougham P	"75" Sedan R	"75" Limousine S
FIREMIST COLOR - Exterior	\$	\$	\$	\$	\$
VINYL ROOF C09		N/A	STD		
S SUNROOF CA1		N/A			
H ELDORADO CUSTOM CABRIOLET without Sunroof Option YP3		N/A	N/A	N/A	N/A
Z ELDORADO CUSTOM CABRIOLET SUNROOF OPTION YN1		N/A	N/A	N/A	N/A
BROUGHAM d'ELEGANCE	N/A	N/A		N/A	N/A
EXPANDED VINYL UPHOLSTERY - Standard Options					
LEATHER UPHOLSTERY - Standard Options		STD			
DUAL COMFORT SEAT AM6			STD		N/A
R TIRES - Steel Belted Radial Whitewall (5) QD4				N/A	N/A
W TIRES - Fiberglass Belted Bias Whitewall (5) QO3 or QO8					
1 RADIO - AM-FM Stereo with Tape Player - Power Antenna V4A					
2 RADIO - AM-FM Stereo Signal Seeking - Power Antenna V4C					
3 RADIO - AM-FM Push Button - Power Antenna V4G					
4 RADIO - AM-FM Stereo Rear Control - Power Antenna V4E	N/A	N/A	N/A		
5 RADIO - AM-FM Stereo with Tape Player - Windshield Antenna V4B					
6 RADIO - AM-FM Stereo Signal Seeking - Windshield Antenna V4D					
7 RADIO - AM-FM Push Button - Windshield Antenna V4H					
8 RADIO - AM-FM Stereo Rear Control - Windshield Antenna V4F	N/A	N/A	N/A		
E GLASS - SOFT RAY AO1					
D DOOR EDGE GUARDS B93					
K CLIMATE CONTROL - Automatic C61				STD	STD
B LAMP MONITORS Includes Washer Level Monitor YM8					
P BUMPER IMPACT STRIPS VE5					
Y SEAT ADJUSTER - 6-Way Front - Bench A42 6-Way Driver - Dual Comfort AG1					N/A
V SEAT ADJUSTER - 6-Way Passenger - Dual Comfort AG2					N/A
M DOOR LOCKS - Power AU3 AU5 *Includes Electric Backrest Release	*	*			
Q STEERING WHEEL - Tilt and Telescope N37					
T TRUNK LOCK - Remote Control A90					
F FLOOR MATS - Rubber Y28 Y36 BG2					
I TRUNK MAT - Rubber B36					
J TWILIGHT SENTINEL T82					
N DEFOGGER - Rear Window C49				STD	STD
C CRUISE CONTROL K30					
U HEADLAMP CONTROL - Guidematic T80					
X MOUNTING BRACKET - License Plate Front VK3	N/C	N/C	N/C	N/C	N/C
O OPERA LAMPS C93	N/A	N/A	N/A		
G CONTROLLED DIFFERENTIAL G80	N/A	N/A			
L LEVEL CONTROL - Automatic G67	STD	STD	STD	STD	STD
AB MIRROR - Remote Control, Right Side DF3				STD	STD
AC MIRROR - Visor Illuminated D64					
AD THERMOMETER - Left Hand Outside Mirror D65					
AE LICENSE FRAME - One V50					
AF LICENSE FRAMES - Two V51					
AG HORN - Trumpet UB8					
AH TRACK MASTER JL9					
AI CONVERTIBLE TOP-BOOT - Hard CO2	N/A		N/A	N/A	N/A
AJ 3.15 to 1 AXLE RATIO G90	N/A	N/A	N/C	STD	STD
AK TRAILERING PACKAGE YM7				N/A	N/A
AL SHOULDER BELTS - FRONT A85	STD		STD	STD	STD
AM THEFT DETERRENT SYSTEM UA6					
AN CALIFORNIA EMISSION TEST VJ9					
A1-A4 DELUXE ROBE AND PILLOW BH1					

LEGEND

N/C	No Charge		Extra Charge Option
N/A	Not Available		Special Order - Extra Charge
STD	Standard - No Charge		

1973

AMA SPECIFICATIONS FORM

. . . Passenger Car

MANUFACTURER CADILLAC MOTOR CAR DIVISION	CAR NAME CADILLAC	
MAILING ADDRESS 2860 CLARK	MODEL YEAR 1973	ISSUED 9/14/72 <hr/> REVISED (e)

The information contained herein is prepared, distributed by, and is solely the responsibility of the automobile manufacturing company to whose products it relates. Questions concerning these specifications should be directed to the manufacturer whose address is shown above. This specification form was developed by automobile manufacturing companies under the auspices of the Automobile Manufacturers Association.

AMA Specifications Form—Passenger Car

TABLE OF CONTENTS

BODY MODEL	1
CAR AND BODY DIMENSIONS	2, 3
POWER TEAMS	4
ENGINE	5-9
EXHAUST SYSTEM	9
FUEL SYSTEM	10
COOLING SYSTEM	11
VEHICLE EMISSION CONTROL	12
ELECTRICAL	13-15
DRIVE UNITS	16-18
TIRES AND WHEELS	19
BRAKES	19-20
STEERING	21
SUSPENSION - FRONT AND REAR	22
FRAME	23
BODY - MISCELLANEOUS INFORMATION	23
CONVENIENCE EQUIPMENT	24
LAMP HEIGHT AND SPACING	24
VEHICLE WEIGHTS	25
OPTIONAL EQUIPMENT WEIGHTS	26
CAR AND BODY DIMENSION KEY SHEETS	27, 28, 29
INDEX	30

NOTES:

1. The General Specifications herein are those in effect at date of compilation and are subject to change without notice by the manufacturer.
2. UNLESS OTHERWISE INDICATED:
 - a. Specifications apply to standard models without optional equipment. Significant deviations are noted.
 - b. Nominal design dimensions are used throughout these specifications.
 - c. All dimensions are in inches.

MAKE OF CAR CADILLAC MODEL YEAR 1973 DATE ISSUED 9/14 REVISED (*)

CAR AND BODY DIMENSIONS

See Pages 27, 28 for SAE Dimension Definitions

All dimensions to ground are for comparative purposes only. Dimensions are to be shown for:
4-Dr. Sedan, 2-Dr. H.T., 4-Dr. H.T., Convertible and Station Wagon.

MODEL	SAE Ref. No.	6CB69	6CC49	6CC47	6DF23	6DF33
			6CD49	6CD47		

WIDTH

Track - Front	W101		63.3			
Track - Rear	W102		63.3			
Maximum overall car width	W103		79.8			
Body width at No. 2 pillar	W117	79.2			79.2	
Max. front doors open	W120					
Max. rear doors open	W121					

LENGTH

Body "O" to front of dash	L 30					
Wheelbase	L101	133.0	130.0		151.5	
Overall car length	L103	231.5	228.5		250.0	
Overhang - front	L104		39.4			
Overhang - rear	L105		59.0			
Body upper structure length	L123	112.7	109.4	109.6	131.4	
Body "O" line to ϵ of rear wheel	L127	107.0	104.0		125.5	
Body "O" line to w/s cowl point	L130					

HEIGHT

Passenger Distribution (front & rear)						
Trunk/Cargo load (lbs.)						
Overall height	H101	55.5	54.6	54.1	57.8	57.7
Cowl height	H114	38.5	38.2		39.3	
Deck height	H138					
Rocker panel - front	To ground	H112	8.2	7.8	9.0	8.9
	From front wheel ϵ					
Bottom of front door to ground	H133	10.5	9.6	9.5	11.8	11.7
Rocker panel - rear	To ground	H111	8.7	7.5	9.5	9.3
	From rear wheel ϵ					
Bottom of rear door to ground	H135	10.5	9.3		10.5	10.4
Windshield slope angle	H122			59°		

GROUND CLEARANCE

Bumper to ground - front	H102	10.7	11.1		11.6	
Bumper to ground - rear	H104	13.7	11.6		14.4	14.2
Angle of approach	H106	19.3	19.9		20.7	
Angle of departure	H107	14.8	12.6		15.6	15.4
Ramp breakover angle	H147	11.8	11.2		11.5	11.4
Rear axle differential to ground	H153		6.9		7.0	
Min. running clearance (Specify) *	H156	6.3	5.9		7.0	

* FLYWHEEL HSG. TO GD.

AMA Specifications Form—Passenger Car

MAKE OF CAR CADILLAC MODEL YEAR 1973 DATE ISSUED 9/14 REVISED (*)

BODY MODEL	Body Series, Type and Number. (Use mfr's. code for identification)			Number of Passengers (Indicate Front/Rear)
FLEETWOOD BROUGHAM	6CB69	6B69R 3Q	100001	3 & 3
CALAIS SEDAN	6CC49	6C49R 3Q	100001	3 & 3
CALAIS COUPE	6CC47	6C47R 3Q	100001	3 & 3
DEVILLE SEDAN	6CD49	6D49R 3Q	100001	3 & 3
DEVILLE COUPE	6CD47	6D47R 3Q	100001	3 & 3
75 FLEETWOOD SEDAN	6DF23	6F23R 3Q	100001	3-3-3
75 FLEETWOOD LIMOUSINE	6DF33	6F33R 3Q	100001	3-3-3

MAKE OF CAR CADILLAC MODEL YEAR 1973 DATE ISSUED 9/14 REVISED ^(*)

CAR AND BODY DIMENSIONS

See Pages 27, 29 for SAE Dimension Definitions

MODEL	SAE Ref. No.	6CB69	6CC49 6CD49	6CC47 6CD47	6DF23	6DF33
-------	--------------	-------	----------------	----------------	-------	-------

FRONT COMPARTMENT

H Point to body "O" line	L31		42.3			41.3
Effective head room	H61	39.3	39.2	38.7		40.3
Max. eff. leg room - accelerator	L34		41.9			40.9
H Point to Heel point	H30		8.3			
H Point travel	L17		5.8			4.2
Shoulder room	W 3		63.1			
Hip room	W 5		61.7			
Upper body opening to ground	H50	51.1	50.4	49.8	52.3	52.2

REAR COMPARTMENT

H Point couple distance	L50	42.1	38.1	37.1	61.0	62.0
Effective head room	H63	38.3	38.2	38.1		38.4
Min. effective leg room	L51	44.6	40.1	39.4		43.6
H Point to Heel point	H31	10.7	10.7	10.3		9.0
Min. knee room	L48	11.2	7.4	6.6		
Rear Compartment room	L 3	33.9	30.8	29.9		24.8
Shoulder room	W 4		62.6			
Hip room	W 6	61.8	61.8	56.6		57.6
Upper body opening to ground	H51	50.5	49.4	48.9	52.5	52.4

LUGGAGE COMPARTMENT

Usable luggage capacity (cu. ft.)	V 1					
Liftover height	H195					
Position of spare tire storage				HORIZONTAL		
Method of holding lid open				SPRING		

STATION WAGON - THIRD SEAT

Shoulder Room	W85		NOT AVAILABLE			
Hip room	W86		-			
Effective leg room	L86		-			
Effective head room	H86		-			
Seat facing direction			-			

STATION WAGON - CARGO SPACE

Cargo length at floor - front seat	L202		NOT AVAILABLE			
Cargo length at belt - front seat	L204		-			
Cargo width - Wheelhouse	W201		-			
Opening width at belt	W204		-			
Maximum cargo height	H201		-			
Rear opening height	H202		-			
Cargo volume index (cu. ft.) W4 x L204 x H201 1728	V2					

MAKE OF CAR CADILLAC MODEL YEAR 1973 DATE ISSUED 9/14 REVISED ^(*)

POWER TEAMS

(Indicate whether standard or optional)

Gross bhp (brake horsepower) and gross torque corrected to 60° F and 29.92 in. Hg atmospheric pressure.

Net bhp (brake horsepower) and net torque corrected to 85° F and 29.38 in. Hg atmospheric pressure.

MODEL AVAILABILITY	ENGINE					TRANSMISSION	AXLE RATIO (Std. first) (Indicate A/C ratio)
	Displ. cu. in.	Carb.	Compr. Ratio	Net @ RPM			
				BHP	Torque		
All Exc. Eldorado	472	4BBL	8.5:1	220 @ 4000 RPM	365 @ 2400 RPM	Turbo Hydramatic	2.93:1 STD & A/C 3.15 on Limousine & Opt. for trailer haul- ing on Std. car

AMA Specifications Form—Passenger Car

MAKE OF CAR CADILLAC MODEL YEAR 1973 DATE ISSUED 9/14 REVISED (a) _____

MODEL ALL EXC. ELDORADO

ENGINE - GENERAL

Type, no. cyls., valve arr.	90° - V8 - O.V.	
Bore and stroke (nominal)	4.3 x 4.06	
Piston displacement, cu. in.	472	
Bore spacing (C to C)	5.00	
No. system (front to rear)	L. Bank	2-4-6-8
	R. Bank	1-3-5-7
Firing Order	1-5-6-3-4-2-7-8	
Cylinder Head Material	CAST IRON	
Cylinder Block Material	CAST IRON	
Cyl. Sleeve-Wet, dry, none	NONE	
Number of mtg. points	Front	2
	Rear	1
Engine installation angle	6° 24'	
Taxable horsepower	Dia ² xNo. Cyl.	2.5
Recommended fuel regular - premium	REG. 91 RON MIN.	
Cylinder Head Volume (cc)	74.6	
Head Gasket Thickness (Compressed)	.039	
Head Gasket Volume (cc)	9.5	
Deck Clearance (minimum) (above or below block)	.0045 ABOVE	
Minimum Combustion Chamber Volume (cc)	123 cc	

ENGINE - PISTONS

Material	ALUMINUM ALLOY WITH CAST STEEL STRUTS		
Description and finish	SLIPPER TYPE CAM GROUND CONTROLLED EXPANSION		
Weight (piston only) oz.	27.28		
Clearance (limits)	Top land	.034 - .039	
	Skirt	Top	.0006 - .0010
		Bottom	-.0014 - + .0005
Ring groove diameter	No. 1 ring	3.849 - 3.844	
	No. 2 ring	3.849 - 3.844	
	No. 3 ring	3.880 - 3.875	
	No. 4 ring	NONE	

MAKE OF CAR CADILLAC MODEL YEAR 1973 DATE ISSUED 9/14 REVISED (a)

MODEL ALL EXC. ELDORADO

ENGINE - RINGS

Function (top to bottom)	No. 1, oil or comp.	COMP
	No. 2, oil or comp.	COMP
	No. 3, oil or comp.	OIL
	No. 4, oil or comp.	NONE
Compression	Description - material, coating, etc.	#1 MOLYBDENUM FILLED CAST IRON #2 PHOSPHATE COATED CAST IRON
	Width	.0770 - .0785
	Gap	.013 - .025
Oil	Description - material, coating, etc.	MULTI-PIECE STEEL CHROME PLATED RAIL
	Width	.1795 - .1880
	Gap	.015 - .055
Expanders		yes

ENGINE - PISTON PINS

Material	SAE 1019 STEEL		
Length	3.030		
Diameter	.9994 - .9999		
Type	Locked in rod, in piston, floating, etc.	LOCKED IN ROD	
	Bush- ing	In rod or piston	NONE
		Material	NONE
Clearance	In piston	.0002 - .0004	
	In rod	PRESS FIT	
Direction & amount offset in piston	.060 TOWARD MAX. THRUST SIDE		

ENGINE - CONNECTING RODS

Material	GM 84M ARMA STEEL	
Weight (oz.)	28.86	
Length (center to center)	6.75	
Bearing	Material & Type	AT-20 STEEL BACKED M-390 STEEL BACKED
	Overall length	.826
	Clearance (limits)	.0005 - .0028
	End play	.011 - .021 (TOTAL TWO RODS)

AMA Specifications Form—Passenger Car

MAKE OF CAR CADILLAC MODEL YEAR 1973 DATE ISSUED 9/14 REVISED (a) _____

MODEL _____ ALL EXG. ELDORADO

ENGINE - CRANKSHAFT

Material		NODULAR CAST IRON	
Vibration damper type		RUBBER ABSORPTION	
End thrust taken by bearing (No.)		#3 CENTER MAIN	
Crankshaft end play		.002 - .012	
Main bearing	Material & type	M-100 DUREX STEEL BACKED M-400 ALUMINUM STEEL BACKED	
	Clearance	.0001 - .0026	
	Journal dia. and bearing overall length	No. 1	3.250 - 1.1925
		No. 2	3.250 - 1.0595
		No. 3	3.250 - 1.0670 (INSIDE) 1.258 (OUTSIDE)
		No. 4	3.250 - 1.0595
		No. 5	3.250 - 1.1925
		No. 6	NONE
No. 7		NONE	
Dir. & amt. cyl. offset		RH FORWARD .47 LH REARWARD .47	
No. bolts/main brg. cap		2	
Crankpin journal diameter		2.50	

ENGINE - CAMSHAFT

Location		CENTER OF V	
Material		GM 120M CAST IRON	
Bearings	Material	STEEL BACKED BABBITT	
	Number	5	
Type of Drive	Gear or chain		SILENT CHAIN
	Crankshaft gear or sprocket material		SINTERED IRON GM 3884 M
	Camshaft gear or sprocket material		DIE CAST ALUM - WITH NYLON COVERED TEETH
	Timing chain	No. of links	48
		Width	.750
Pitch		.500	

AMA Specifications Form—Passenger Car

MAKE OF CAR CADILLAC MODEL YEAR 1973 DATE ISSUED 9/14 REVISED (*)

MODEL ALL EXC. ELDORADO

ENGINE - VALVE SYSTEM

Hydraulic lifters (Std., opt., NA)	STD	
Valve rotator, type (intake, exhaust)	NONE	
Rocker ratio	1.72:1	
Operating tappet clearance (indicate hot or cold)	Intake	AUTO
	Exhaust	AUTO

Timing (based on top of ramp points)	Intake	Opens (°BTC)	34°	.001	TAPPET LIFT
		Closes (°ABC)	100°	.001	TAPPET LIFT
		Duration (deg.)	314°	.001	TAPPET LIFT
	Exhaust	Opens (°BBC)	78°	.001	TAPPET LIFT
		Closes (°ATC)	56°	.001	TAPPET LIFT
		Duration (deg.)	314°	.001	TAPPET LIFT
	Valve open overlap (deg.)	70°	.001	TAPPET LIFT	

Intake	Material	1041 ALUM STEEL	
	Overall length	5.230	
	Actual overall head dia.	2.000	
	Angle of seat & face (deg.)	SEAT IN HEAD 45° VALVE FACE 44°	
	Seat insert material	NONE	
	Stem diameter	.3420 - .3413	
	Stem to guide clearance	.0010 - .0027	
	Lift (@ zero lash)	.490	
	Outer spring press. & length	Valve closed (lb.@in.)	60-65 @ 1.946
		Valve open (lb.@in.)	163 - 173 @ 1.456
	Inner spring press. & length	Valve closed (lb.@in.)	NONE
		Valve open (lb.@in.)	NONE

Exhaust	Material	DF-20	
	Overall length	5.246	
	Actual overall head dia.	1.625	
	Angle of seat & face(deg.)	SEAT 45° FACE 44°	
	Seat insert material	NONE	
	Stem diameter	.3418 - .3413	
	Stem to guide clearance	.0012 - .0027	
	Lift (@ zero lash)	.490	
	Outer spring press. & length	Valve closed (lb.@in.)	60-65 @ 1.946
		Valve open (lb.@in.)	163-173 @ 1.456
	Inner spring press. & length	Valve closed (lb.@in.)	NONE
		Valve open (lb.@in.)	NONE

MAKE OF CAR CADILLAC MODEL YEAR 1973 DATE ISSUED 9/14 REVISED (•)MODEL ALL EXC. ELDORADO

ENGINE — LUBRICATION SYSTEM

Type of lubrication (splash, pressure, nozzle)	Main bearings	PRESSURE
	Connecting rods	PRESSURE
	Piston pins	SPLASH
	Camshaft bearings	PRESSURE
	Tappets	PRESSURE
	Timing gear or chain	METERED CENTRIFUGAL FLOW
	Cylinder walls	SPLASH
Oil pump type	SPUR GEAR	
Normal oil pressure (lb. • engine rpm)	35-40 @ 30 MPH.	
Oil press. sending unit (elect. or mech.)	ELECTRIC	
Type oil intake (floating, stationary)	STATIONARY	
Oil filter system (full flow, part., other)	FULL FLOW	
Filter replacement (element, complete)	COMPLETE	
Capacity of c/case, less filter-refill (qt.)	4 QTS. + 1 QT. FILTER	
Oil grade recommended (SAE viscosity and temperature range)	ABOVE + 20°F 20W - 10W30 - 10W40 - 20W40 0° TO + 60°F 10W - 5W30 - 10W30 - 10W40 BELOW + 20°F 5W20 - 5W30	
Engine Service Reqmt. (MM, MS, etc.)	SE	

ENGINE — EXHAUST SYSTEM

Type (single, single with cross-over, dual, other)	SINGLE WITH CROSSOVER	
Muffler No. & type (reverse flow, straight thru, separate resonator)	ONE REVERSE FLOW WITH SEPERATE RESONATOR	
Exhaust pipe dia. (O.D., wall thick.)	Branch	EXHAUST 2.24 .036 - .048 LAMINATED
	Main	INTERMEDIATE 2.50 .036 - .048 LAMINATED
Tail pipe dia. (O.D. & wall thickness)	2.25 x .075 ALUMINIZED	

AMA Specifications Form—Passenger Car

MAKE OF CAR CADILLAC MODEL YEAR 1973 DATE ISSUED 9/14 REVISED (*)

MODEL ALL EXC. ELDORADO

ENGINE - FUEL SYSTEM (See supplemental page for Details of Fuel Injection, Supercharger, etc. if used)

Induction type: Carburetor, fuel injection, supercharger.		CARBURETOR	
Fuel Tank	Refill capacity (U.S. gals.)	APPROX. 27 USABLE GALLONS	
	Filler location	BACK OF LICENSE PLATE	
Fuel Pump	Type (elec. or mech.)	MECHANICAL	
	Locations	LOWER LEFT SIDE OF ENG.	
	Pressure range	5.25 - 6.50 @ 1800 RPM.	
Vacuum booster (std., optional, none)		NONE	
Fuel Filter	Type	AC	
	Locations	IN FUEL PUMP & IN FUEL TANK	
Carburetor	Choke type		REMOTE POCKET IN MANIFOLD
	Intake manifold heat control (exhaust or water)		EXHAUST (NO HEAT VALVE)
	Air cleaner type	Standard	DRY PACK SINGLE INLET
		Optional	
	Idle speed (spec. neutral or drive)	Manual	600 RPM. DRIVE A/C OFF
		Automatic	
Idle A/F mix.			

CARBURETOR SUPPLEMENTARY INFORMATION

Model Usage	Engine Displ.	Transmission	Carburetors		No. Used and Type	Barrel Size
			Make	Model		
ALL	472	TURBO-HYDRAMATIC	ROCH	4BBL	1	

AMA Specifications Form—Passenger Car

MAKE OF CAR CADILLAC MODEL YEAR 1973 DATE ISSUED 9/14 REVISED (a)

MODEL _____ ALL EXC. ELDORADO

ENGINE - COOLING SYSTEM

Type system (pressure, pressure vented, atmospheric, other)		PRESSURE	
Radiator cap relief valve pressure		13.5 - 16.5 PSI	
Circulation thermostat	Type (choke, bypass)	BYPASS <i>- WAY PRESS -</i>	
	Starts to open at (°F)	177° - 182°	
Water pump	Type (centrifugal, other)	CENTRIFUGAL - DUAL OUTLET	
	GPM 1000 pump rpm	19	
	Number of pumps	ONE	
	Drive (V-belt, other)	V-BELT	
Bearing type		DOUBLE ROW BALL BEARING	
By-pass recirculation type (inter., ext.)		INTERNAL	
Radiator core type (cellular, tube and fin, other)		TUBE AND CENTER	
Cooling system capacity	With heater (qt.)	21.3 (26.8 A/C STD ON 697 CAR)	
	Without heater (qt.)	HEATER STD EQUIP	
	Opt. equipment-specify (qt.)	23.8 WITH A/C	
Water jackets full length of cyl. (yes, no)		YES	
Water all around cylinder (yes, no)		YES	
Radiator hose	Lower	Number and type (molded, straight)	1-MOLDED
		Inside diameter	1.50
	Upper	Number and type (molded, straight)	1-MOLDED
		Inside diameter	1.50
	By-pass	Number and type (molded, straight)	NONE
		Inside diameter	NONE
Fan	Number of blades & spacing		7 @ 61° - 53° - 40° - 67° - 36° - 67° - 36°
	Diameter		18"
	Ratio-fan to crankshaft rev.		1.24:1
	Fan cutout type		NONE
	Bearing type		NONE
*Drive belts (indicate belt used by letter)	Fan		A
	Generator or alternator		B
	Water Pump		A
	Power Steering		C
	Air Conditioning		C TWO MATCHED BELTS
AIR PUMP		A	

* Drive Belt Dimensions	A	B	C	D	E	F	G	H	I	J	K
Angle of V	38°	38°	38°								
Nominal length (SAE)	46.0'	38.0'	59.5'								
Width	.440	.440	.440								

MAKE OF CAR CADILLAC MODEL YEAR 1973 DATE ISSUED 9/14 REVISED (a)

MODEL _____ ALL EXC. ELDORADO

VEHICLE EMISSION CONTROL

Exhaust Emission Control	Type (air injection, engine modifications, other)		AIR INJECTION	
	Air Injection Pump	Type	SEMI-ARTICULATED VANE	
		Displacement	19.3 CU. IN./REV.	
		Drive ratio	1.2:1	
		Drive type	BELT	
		Relief valve (type)	SPRING LOADED VALVE	
		Filter (describe)	CENTRIFUGAL	
	Air Injection System	Air distribution (head, manifold, etc.)	CYLINDER HEADS	
		Point of entry	CYLINDER HEADS	
		Injection tube i.d.	.250	
Check valve type		ELASTOMER DISC & PLATE		
Backfire protection (type)		DIVERTER VALVE		
Crankcase Emission Control	Type (ventilates to atmos., induction system, other)	Standard Optional	INDUCTION NONE	
	Control Unit	Make and model	AC SPARK PLUG DIV.	
		Location		
		Energy source (manifold vacuum, carburetor, other)	MANIFOLD VACUUM	
		Control method (variable orifice, fixed orifice, other)	SPRING LOADED VALVE VARIABLE ORIFICE	
	Complete system	Discharges (to intake manifold, other)	INTAKE MANIFOLD	
		Air inlet (breather cap, other)	AIR CLEANER	
		Flame arrestor (screen, other)	CHECK VALVE	
	Evaporative Emission Control	Fuel Tank	Refill Capacity (U.S. gallons)	APPROX. 27 GAL. - USABLE
			Thermal expansion volume (cu. ft.)	.45 CU. FT.
Pressure relief location (lbs.)			CAP 25-35 IN. WATER	
Vacuum relief location (lbs.)			CAP 7-70 IN. WATER	
Vapor-liquid separator type			VAPOR DOME	
Vapor vented to (crankcase, canister, other)			CHARCOAL CANISTER ---	
Vapor Storage		Carburetor	Vapor vented to (crankcase, canister, other)	INTERNAL ---
			Storage provision (crankcase, canister, other)	CHARCOAL CANISTER ---
		Volume (cu. ft.) or capacity (grams)		600 GRAMS
			Control valve type	CARBURETOR PURGE PORT

AMA Specifications Form—Passenger Car

MAKE OF CAR CADILLAC MODEL YEAR 1973 DATE ISSUED 9/14 REVISED (a) _____

MODEL _____ ALL EXC. ELDORADO

ELECTRICAL – SUPPLY SYSTEM

Battery	Make and Model		DELCO REMY 1980187
	Voltage Rtg. & Total Plates		12 VOLT 15 PLATE
	SAE Designation & Amp. Hr. Rtg.		3600 WATTS @ 0°
	Location		RADIATOR CRADLE - RIGHT HAND SIDE - UNDERHOOD
	Terminal grounded		NEGATIVE
Generator or Alternator	Make		DELCO REMY
	Model		1100940 1100937 1101015
	Type and rating		42 AMP. 63 AMP. (A/C) 80 AMP. (697)
	Output at engine idle (neutral)		CHARGE @ IDLE
Regulator	Ratio-Gen. to Cr/s rev.		3.25:1
	Make		NONE PART OF ALTERNATOR ASSY.
	Model		
	Type		
	Cutout relay	Closing voltage @ generator rpm	
		Reverse current to open	
	Regulated	Voltage	
		Current	
Voltage test conditions	Temperature		
	Load		
	Other		

ELECTRICAL – STARTING SYSTEM

Starting Motor	Make		DELCO REMY
	Model		1108371
	Rotation (drive end view)		CLOCKWISE
Motor control	Switch (solenoid, manual)		SOLENOID
	Starting procedure		SEE BELOW
Motor Drive	Engagement type		SPIRAL SPLINE & OVER RUNNING CLUTCH
	Pinion meshes (front, rear)		FRONT
	Number of teeth	Pinion	9
		Flywheel	Manual
	Flywheel tooth face width		Auto.
			Manual
	Auto.		500

PLACE TRANS IN NEUTRAL OR PARK

COLD START - DEPRESS ACC. TO FLOOR - RELEASE - TURN IGN. KEY TO START POSITION

WARM START - DEPRESS ACC TO HALFWAY TO FLOOR - HOLD - TURN IGN. KEY TO START POSITION

AMA Specifications Form—Passenger Car

MAKE OF CAR CADILLAC MODEL YEAR 1973 DATE ISSUED 9/14 REVISED (*)

MODEL _____ ALL EXC. ELDORADO

ELECTRICAL - IGNITION SYSTEM - DISTRIBUTOR

Breaker gap (in.)		016
Cam angle (deg.)		28° - 32°
Brkr. arm tension (oz.)		19 - 23 oz.
Distributor	Manual	
	Automatic	DELCO REMY - 1112219
Timing	Manual	
	Automatic	8° BTDC

Distributor Model	CENTRIFUGAL ADVANCE Crankshaft Degrees at Engine RPM			VACUUM ADVANCE Crankshaft Deg. at In. of Mercury	
	Start	Intermediate	Max.	Start	Max.
1112219	0° @ 800	9°-13° @ 1900	22° - 26° @ 4000	0° @ 5" - 7"	24° @ 13"

MAKE OF CAR CADILLAC MODEL YEAR 1973 DATE ISSUED 9/14 REVISED (o)

MODEL _____ ALL EXC. ELDORADO

ELECTRICAL - IGNITION SYSTEM

Type	Conventional - Std., Opt., N.A.		STD.
	Transistorized - Std., Opt., N.A.		N.A.
	Other (specify)		
Coil	Make		DELCO REMY
	Model		1115295
	Amps	Engine stopped	2.40
		Engine idling	1.25
Spark Plug	Make		AC SPARK PLUG DIV.
	Model		R-46N
	Thread (mm)		14 MM
	Tightening torque (lb. ft.)		25 LB. FT.
	Gap		.035
Cable	Conductor type		RESISTANT CORE
	Insulation type		NEOPRENE
	Spark plug protector		HYPALON

ELECTRICAL - SUPPRESSION

Locations & type

* SEE BELOW

ELECTRICAL - INSTRUMENTS AND EQUIPMENT

Speed-ometer	Type	AC SPARK PLUG
	Trip odometer (std. opt., N.A.)	STD.
Charge indicator - type		TELL TALE
Temperature indicator - type		TELL TALE (ENG. COOLANT & METAL)
Oil pressure indicator - type		TELL TALE
Fuel indicator - type		GAUGE
Wind-shield wiper	Type - Standard	3 SPEED ELECTRIC
	Type - Optional	-
Wind-shield washer	Type - Standard	ELECTRIC
	Type - Optional	-
Horn	Type	F & A (CALAIS) FA & D (DEVILLE & FLEETWOOD)
	Number used	2 3
	Amp draw (each)	5.2 AMPS.
Other		TRUNK WARNING LITE. LOW WASHER FLUID LOW BRAKE, CRUISE

- * PACKARD ELECTRIC - DIST. RESISTANCE WIRE
 .3 MFD ON COIL FEED TERMINAL
 .5 MFD ON GEN. REG. FEED TERMINAL
 GROUND STRAPS - TRANS. TO DASH

MAKE OF CAR CADILLAC MODEL YEAR 1973 DATE ISSUED 9/14 REVISED (*)

MODEL _____ ALL EXC. ELDORADO

DRIVE UNITS – CLUTCH (Manual Transmission)

Make & type		NOT AVAILABLE
Type pressure plate springs		
Total spring load (lb.)		
No. of clutch driven discs		
Clutch facing	Material	
	Outside & inside dia.	
	Total eff. area (sq.in.)	
	Thickness	
	Engagement cushioning method	
Release bearing	Type & method of lubrication	
Torsional damping	Methods: springs, friction material	

DRIVE UNITS – TRANSMISSIONS

Manual 3-speed (std., opt. N.A.)	N.A.
Manual 4-speed (std., opt. N.A.)	N.A.
Automatic (std., opt. N.A.)	STD

DRIVE UNITS – MANUAL TRANS.

Number of forward speeds		NOT AVAILABLE	
Transmission ratios	In first		
	In second		
	In third		
	In fourth		
	In reverse		
Synchronous meshing, specify gears			
Shift lever location			
Lubricant	Capacity (pt.)		
	Type recommended		
	SAE viscosity number	Summer	
		Winter	
	Extreme cold		

AMA Specifications Form—Passenger Car

MAKE OF CAR CADILLAC MODEL YEAR 1973 DATE ISSUED 9/14 REVISED ^(e) _____

MODEL _____ ALL EXC. ELDORADO

DRIVE UNITS – AUTOMATIC TRANSMISSION

Trade name	TURBO - HYDRAMATIC		
Type describe	3 ELEMENT FIXED CONVERTER WITH STEP SHIFTS		
Selector location	STEERING COLUMN		
List gear ratios Selector Pattern and indicate which are used in each selector position	P-R-N-D-L	LOW GEAR INTER GEAR HIGH GEAR REVERSE	2.48 1.48 1.00 2.09
Max. upshift speed—drive range	82 MPH. (76MPH. - OPT AXLE)	78 MPH. ON 697 SERIES	
Max. kickdown speed—drive range	71 MPH. (65MPH. - OPT AXLE)	61 MPH. ON 697 SERIES	
Torque converter	Number of elements	3	
	Max. ratio at stall	2.03:1	
	Type of cooling (air, liquid)	LIQUID - WATER TO OIL	
	Nominal diameter	13.038"	
Lubricant	Capacity—refill (pt.)	APPROX. 9 PINTS	
	Type recommended	FLUID - DEXRON	
Special transmission features			

DRIVE UNITS – PROPELLER SHAFT

Number used	1 STD CAR (1-2 PIECE ON 697 SERIES)		
Type (straight tube, tube-in-tube, internal-external damper, etc.)	EXPOSED		
Outer diam. x length* x wall thickness	Manual 3-speed trans.	N.A.	
	Manual 4-speed trans.	N.A.	
	Overdrive transmission	N.A.	
	Automatic transmission	3.50 x 64.56 x .065 FLEETWOOD BROUGHAM 3.50 x 61.54 x .065 CALAIS & DEVILLE	

* Center to center of universal joints, or to centerline of rear attachment.

(Continued)

FRT. 2.75 - 2.25 x 44.62 x .083 (697 SERIES)
REAR 2.75 - 2.25 x 38.53 x .083 (697 SERIES)

AMA Specifications Form—Passenger Car

MAKE OF CAR CADILLAC MODEL YEAR 1973 DATE ISSUED 9/14 REVISED ^(*)

MODEL _____ ALL EXC. ELDORADO

DRIVE UNITS – PROPELLER SHAFT (cont.)

Inter-mediate bearing	Type (plain, anti-friction)	NONE (STD CAR) BALL BEARING (697 SERIES)
	Lubrication (fitting, prepack)	PREPACK
Slip Yoke	Type	INTERNALLY SPLINED
	Number of teeth	32
	Spline O.D.	1.395 (MAJOR DIA.)
Universal joints	Make and Mfg. No.	SAGINAW
	Number used	2 (STD CAR) 3 (697 SERIES)
	Type (ball and trunnion, cross)	CROSS-DOUBLE CARDAN
	Rear attach. (u-bolt, clamp, etc.)	BOLTED FLANGE TO FLANGE
	Bearing	Type (plain, anti-friction)
Lubric. (fitting, prepack)		PREPACK
Drive taken through (torque tube or arms, springs)		FOUR LINK ARMS
Torque taken through (torque tube or arms, springs)		FOUR LINK ARMS

DRIVE UNITS – AXLE

Type (front, rear)	REAR		
Description	HYPOID		
Limited Slip differential, type	CONE CLUTCH		
Drive Pinion Offset	2.25		
No. of differential pinions	2		
Pinion adjustment (shim, other)	SHIM		
Pinion bearing adj. (shim, other)	COLLAPSIBLE SPACER		
Wheel bearing type	ROLLER		
Lubricant	Capacity (pt.)	5 PT.	
	Type recommended	API - GL5 (CONTROLLED DIFF. SPEC. LUBE)	
	SAE viscosity number	Summer	90
		Winter	90
		Extreme cold	90

AXLE RATIO TOOTH COMBINATIONS

(See page 4 for axle ratio usage)

Axle ratio	2.93 (STD & A/C)	3.15 (697 SERIES)
No. of teeth	Pinion	14
	Ring gear	41
Ring Gear O.D.	9.438	9.435

MAKE OF CAR CADILLAC MODEL YEAR 1973 DATE ISSUED 9/14 REVISED ^(*) _____
 MODEL _____ 6CB 6CC 6CD 6DF

DRIVE UNITS — TIRES AND WHEELS (STANDARD)

		L78-15	L. R. B.	L78-15	L. R. D.	
TIRES	Size, load range, ply					
	Type (bias, radial, etc.)	BELTED BIAS				
	Normal max. load inflation pressure (cold)	Front	24 PSI		30 PSI	
		Rear	26 PSI		36 PSI	
Rev./mile @ 45 mph		704				
WHEELS	Type & material	TRUCENTRIC - STEEL				
	Rim (size & flange type)	15 6JK				
	Attachment	Type (bolt or stud)	STUD			
		Circle diameter	5"			
		Number & size	5- $\frac{1}{2}$ x 20			
Spare wheel (same or other)		SAME				

DRIVE UNITS — TIRES AND WHEELS (OPTIONAL)

		L78-15	L. R. B. (WW)	L78-15	L. R. D. (WW)
Size, load range, ply					
Type (bias, radial, etc.)		BELTED BIAS			
Normal max. load inflation pressure (cold)	Front	24 PSI		30 PSI	
	Rear	26 PSI		36 PSI	
Rev./mile @ 45 mph		704			
Wheel type & material		TRUCENTRIC - STEEL			
Rim (size & flange type)		15 6JK			

DRIVE UNITS — TIRES AND WHEELS (OPTIONAL)

		LR 78-15	L. R. B.	N.A.
Size, load range, ply				
Type (bias, radial, etc.)		RADIAL		
Normal max. load inflation pressure (cold)	Front	24 PSI		
	Rear	24 PSI		
Rev./mile @ 45 mph				
Wheel type & material				
Rim (size & flange type)				

BRAKES — PARKING

Type of control		FOOT OPERATED - VAG RELEASED
Location of control		LEFT SIDE BELOW INST. PANEL
Operates on		REAR SERVICE BRAKES
If separate from service brakes	Type (internal or external)	N.A.
	Drum diameter	N.A.
	Lining size (length x width x thickness)	N.A.

MAKE OF CAR CADILLAC MODEL YEAR 1973 DATE ISSUED 9/14 REVISED ^(*)

MODEL _____

ALL EXC. ELDORADO

BRAKES - SERVICE

Type (drum) or (disc & no. of pistons)		SINGLE PISTON DISC FRONT DRUM REAR			
Self adjusting (std., opt., N.A.)		STD.			
Special Valving	Type (proportion, delay, metering, other)	METERING & PROPORTIONING (NO PROPORTIONING ON LIMO.)			
Power brake make & type (remote, int., etc.)	Std. Opt.	DELCO MORaine DIRECT ACTION-VACUUM			
Effective area (sq. in.) *		FRT. 38.36	REAR 101.75	TOTAL 140.10	
Gross lining area (sq. in.) **		42.28	116.80	159.08	
Swept area (sq. in.) ***		240.00	188.50	428.50	
Effectiveness		61%			
Front		39%			
Rear		NONE			
Drum	Diameter (nominal)	12"			
	Type and material	COMPOSITE CAST IRON - FINNED			
Rotor	Outer working diameter	11.90			
	Inner working diameter	8.06			
	Thickness	1.24			
	Material & type (vented/solid)	FULL CAST IRON-VENTED 2 15/16" DIA. PISTON DISC.			
Wheel cylinder bore	Front	15/16			
	Rear	1.125			
Master Cylinder	Bore	1.4			
	Stroke	3.44:1			
Pedal arc ratio		3.44:1			
Line pressure at 100 lb. pedal load		NONE			
Shoe Clearance	Front	NONE			
	Rear	.015			
Anti-skid device type (std., opt., N.A.)		ELECTRONIC & VACUUM - OPT.			
Brake lining	Bonded or riveted		RIVETED		
	Front Wheel	Material	MOLDED ASBESTOS		
		Size (length x width x thickness)	Prim. or out-board	5.4 x 1.92 x .41	
			Second. or in-board	5.4 x 1.92 x .43	
		Segments per shoe		1	
	Rear Wheel	Material	MOLDED ASBESTOS		
		Size (length x width x thickness)	Prim. or out-board	11.00 x 2.5 x .24	
			Second. or in-board	12.36 x 2.5 x .26	
Segments per shoe		1			

* Excludes rivet holes, grooves, chamfers, etc. ** Includes rivet holes, grooves, chamfers, etc.

*** Total swept area for four brakes. (Widest lining contact width for each brake x its contact circumference.)

AMA Specifications Form—Passenger Car

MAKE OF CAR CADILLAC MODEL YEAR 1973 DATE ISSUED 9/14 REVISED (*)

MODEL _____ ALL EXC. ELDORADO

STEERING

Manual (std., opt., NA)		N.A.	
Power (std., opt., NA)		STD.	
Adjustable steering wheel (tilt, swing, other)	Type and description	TILT & TELESCOPE	
	(std., opt., NA)	OPT.	
Wheel diameter	Manual	N.A.	
	Power	15.5 (POWER STEERING STD.)	
Turning diameter (feet)	Outside front	Wall to wall (l. & r.)	49.08 (6CB69) 48.16 (6CC & 6CD) 54.72 (6DF)
		Curb to curb (l. & r.)	46.03 (6CB69) 45.11 (6CC & 6CD) 51.65 (6DF)
	Inside rear	Wall to wall (l. & r.)	
		Curb to curb (l. & r.)	
Manual	Gear	Type	N.A.
		Make	
	Ratios	Gear	
	Overall		
No. wheel turns (stop to stop)			
Power	Type (coaxial, linkage, etc.)		COAXIAL
	Make		SAGINAW STEERING GEAR
	Gear	Type	ROTARY VALVE - RECIRCULATING BALL
		Ratios	VARIABLE RATIO 16.0 - 13.0 (6DF 17.5)
	Gear	Overall	17.8 - 9.0 (6DF 19.5)
	Pump driven by		BELT
No. wheel turns (stop to stop)		3 1/4 (6DF 3 3/4)	
Linkage	Type		PARALLELOGRAM
	Location (front or rear of wheels, other)		REAR
	Drag link (trans. or longit.)		TRANSVERSE
	Tie rods (one or two)		TWO
Steering Axis	Inclination of camber (deg.)		6° @ 0
	Bearings (type)	Upper	SPHERICAL JOINTS
		Lower	SPHERICAL JOINTS
		Thrust	SPHERICAL JOINTS
Whl. Align. (range of curb wt. & preferred)	Caster (deg.)		-1/2° to -1 1/2°
	Camber (deg.)		+3/8° to -3/8° L.H.; +5/8° to -1/8° R.H.
	Toe-in (outside track inches)		-1/8 to -1/4
Steering spindle & joint type		SPHERICAL JOINTS	
Wheel Spindle	Diameter	Inner bearing	
		Outer bearing	
	Thread size		
	Bearing type		

MAKE OF CAR CADILLAC MODEL YEAR 1973 DATE ISSUED 9/14 REVISED (e)MODEL _____ ALL EXC. ELDORADO**SUSPENSION – GENERAL**

(See Supplement page for details on Air Suspension)

Provision for car leveling	AUTO LEVEL CONTROL STD. ON BROUGHAM & LIMO.	
Provision for brake dip control	IN FRT. & REAR SUSPENSION GEOMETRIES	
Provision for acc. squat control	IN REAR SUSPENSION GEOMETRY	
Special provisions for car jacking	BUMPER TYPE	
Shock absorber front & rear	Type	DIRECT ACTING
	Make	DELCO
	Piston dia.	1"
Other special features	PLIAGELL AIR RESERVOIR	

SUSPENSION – FRONT

Type and description		INDEPENDENT COIL	
Spring	Type	COIL	
	Material	SAE 9260 STEEL	
	Size (coil design height & I.D.; bar length x dia.)	10.65" x 4"	
	Spring rate (lb. per in.)	395	(425 6CB) (485 6DF)
	Rate at wheel (lb. per in.)	99	(106 6CB) (121 6DF)
Stabilizer	Type (link, linkless, frameless)	.75 LINK	
	Material & bar diameter	SAE 1038 STEEL .781 (STD. CAR) .875 (LIMO)	

SUSPENSION – REAR

Type and description		4 LINK COIL SUSP.	
Drive and torque taken through		LINKS	
Spring	Type	COIL	
	Material	SAE 9260 STEEL	
	Size (length x width, coil design height & I.D.; bar length & dia.)	8.86" x 5.5"	
	Spring rate (lb. per in.)	112	(95 6CB) (120 6DF)
	Rate at wheel (lb. per in.)	112	(115 * 6CB) (145 * 6DF)
	Mounting insulation type	RUBBER	
Stabilizer	If leaf	No. of leaves	N.A.
		Shackle (comp. or tens.)	N.A.
	Type (link, linkless, frameless)	N.A.	
	Material & bar diameter	N.A.	
Track bar type		N.A.	

* AUTO LEVEL CONTROL

AMA Specifications Form—Passenger Car

MAKE OF CAR CADILLAC MODEL YEAR 1973 DATE ISSUED 9/14 REVISED (*)

MODEL _____ ALL EXC. ELDORADO

FRAME

Type and description (Separate frame, unitized frame, partially - unitized frame)

SEPARATE PERIMETER FRAME

BODY - MISCELLANEOUS INFORMATION

Drs. hinged (front, rr.)	Front doors	FRONT			
	Rear doors	FRONT			
Type of finish (lacquer, enamel, other)		ACRYLIC			
Hood counterbalanced (yes, no)		YES			
Hood release control (internal, external)		INTERNAL			
Vehicle Ident. No. location		WINDSHIELD LOWER L.H. SIDE, FRAME, TRANS, ENG.			
Engine No. location		REAR UPPER PORTION OF CYL. BLOCK & L. SIDE OF TRANS.			
Theft protection - type					
Vent window control method (crank, friction pivot)	Front	NONE			
	Rear				
Seat cushion type	Front	ZIG ZAG SPRING (6CC & 6CD) COIL SPRING 6CB & 6DF			
	Rear	ZIG ZAG SPRING (6CC & 6CD) COIL SPRING 6CB & 6D			
	3rd seat				
Seat back type	Front	FULL DEPTH FOAM			
	Rear	FULL DEPTH FOAM			
	3rd seat	FULL DEPTH FOAM			
Windshield glass type (i.e., single curved - laminated plate)		COMPOUND CURVE-LAMINATED			
Side glass type (i.e., curved - tempered plate)		CURVE-TEMPERED PLATE			
Backlight glass type (i.e., compound curved - tempered plate, three piece)		TEMPERED PLATE			
		6CB69	6CC47 6CD49	6CC47 6CD47	6DF23
Windshield glass exposed surface area	1702.6	1702.6	1542.7	1700.2	
Side glass exposed surface area	1772.0	1747.0	1399.2	2146.7	
Backlight glass exposed surface area	788.9	962.9	994.7	650.1	
Total glass exposed surface area	4263.5	4412.5	3936.6	4497.0	
		CENTER PARTITION GLASS ON 6DF33 830.63			

AMA Specifications Form—Passenger Car

MAKE OF CAR CADILLAC MODEL YEAR 1973 DATE ISSUED 9/14 REVISED (e)

MODEL _____ ALL EXC. ELDORADO

CONVENIENCE EQUIPMENT

(Indicate whether standard, optional or NA on each series)

Power windows	Side windows	STD.
	Vent windows	N.A.
	Backlight or tailgate	N.A.
Power seats (specify type as well as availability)		2 WAY PWR STD. - 6 WAY PWR OPT.
Reclining front seat back (R-L or both)		N.A.
Front seat head restrainer (R-L or both)		BOTH
Radios (specify type as well as availability)		
Rear seat speaker		STD. - WITH RADIO
Power antenna		OPT. - WITH RADIO
Clock		STD.
Air conditioner (specify type and availability)		AUTO CLIMATE CONTROL - OPT. (STD ON 6DF SERIES)
Speed warning device		N.A.
Speed control device		OPT.
Ignition lock lamp		N.A.
Dome lamp		STD.
Glove compartment lamp		STD.
Luggage compartment lamp		STD.
Underhood lamp		N.A.
Courtesy lamp		STD.
Map lamp		STD.
Auto. trans. quad. lamp		STD.
Cornering light lamp		STD.
Rear window defroster electrically heated		OPT.
Rear window defogger		OPT.

LAMP HEIGHT AND SPACING

			6CB69	6CC & 6CD	6DF
Height above ground to center of bulb or marker	Headlamp (H125)	Highest *	26.73	26.71	27.64
		Lowest	26.73	26.71	27.64
	Tail (H126)	Highest	28.72	29.34	29.57
		Lowest	28.72	29.34	29.57
	Sidemarker	Front	24.44	24.42	25.35
		Rear	24.56	25.18	25.41
Distance from C/L of car to center of bulb	Headlamp	Inside	22.12	22.12	22.12
		Outside *	34.25	34.25	34.25
	Tail	Inside	34.37	34.37	34.37
		Outside	34.37	34.37	34.37
	Directional	Front	28.19	28.19	28.19
		Rear	34.37	34.37	34.37

* If single headlamps are used enter here.

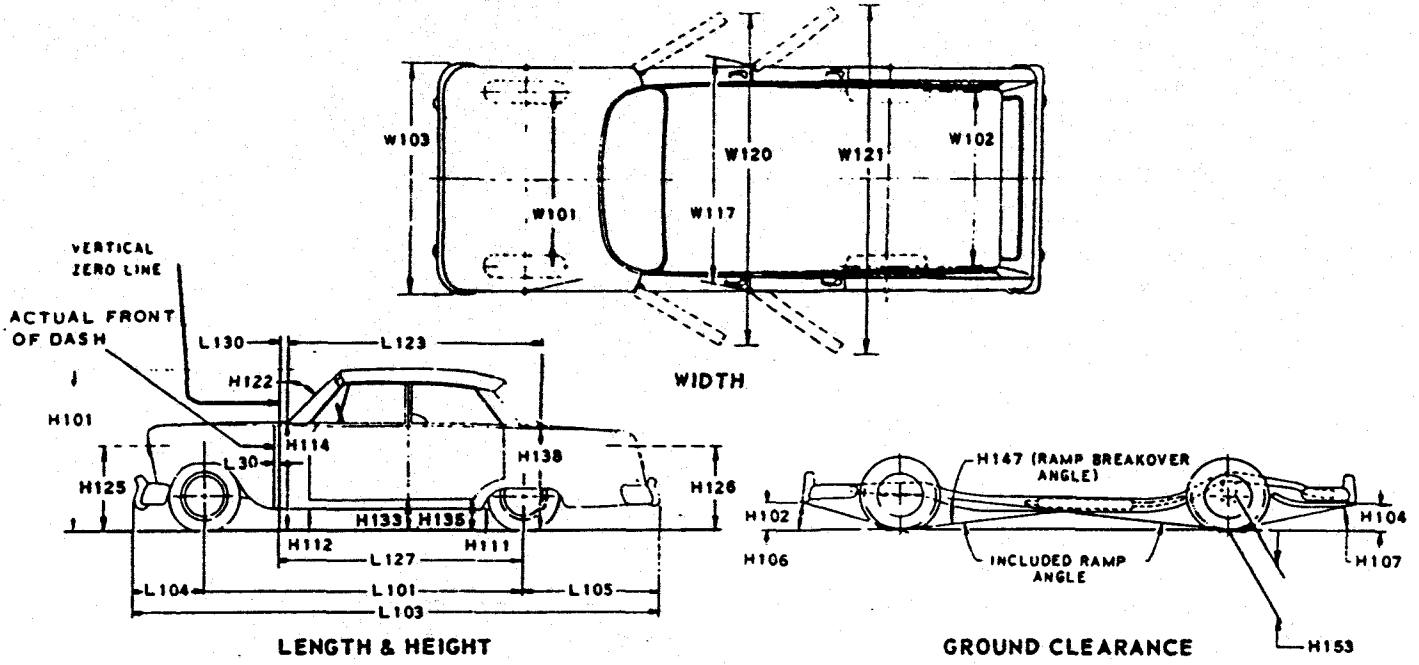
AMA Specifications Form—Passenger Car

MAKE OF CAR CADILLAC MODEL YEAR 1973 DATE ISSUED 9/14 REVISED (e)

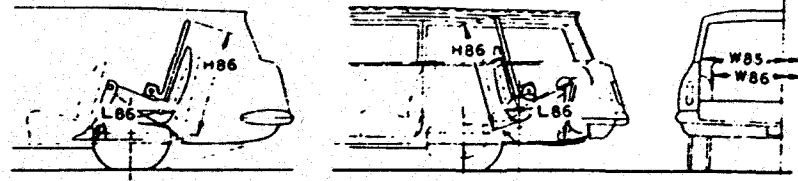
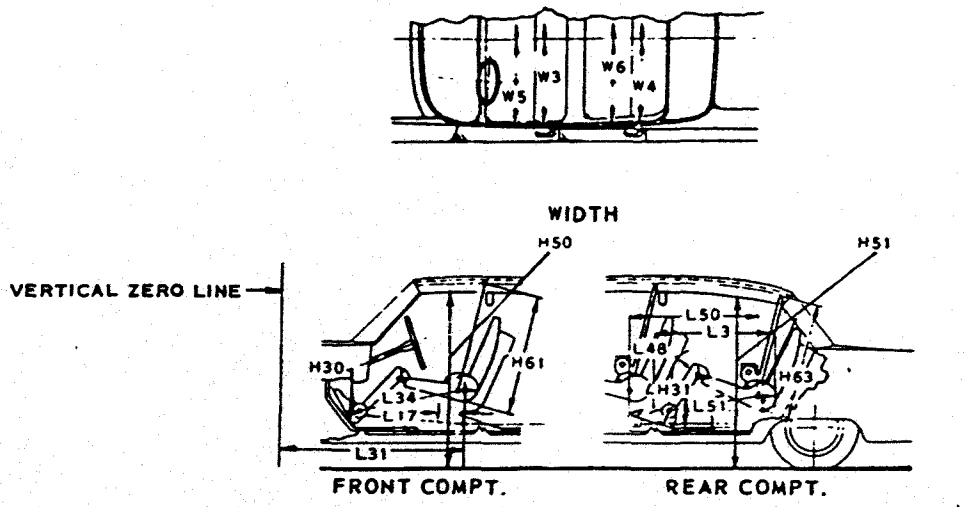
OPTIONAL EQUIPMENT WEIGHTS

Equipment Differential Weights	WEIGHT (Pounds)			Remarks
	Front	Rear	Total	
Auto Climate Control	123	-3	120	(All Exc 693) (Std. Equip on 697)
Stereo S.S. Radio	7	3	10	
AM/FM P.B. Radio	6	3	9	
Stereo Tape Radio	12	4	16	
6 Way Bench Seat	10	8	18	(Series 682 Only)
6 Way Bench Seat	7	5	12	
60-40 (6 Way Seat)	17	15	32	(Series 681 Only)
60-40 (6 Way Seat)	30	26	56	(Series 683 Only)
Vinyl Roof	2	4	6	(Series 683 Only)
Vinyl Roof	5	8	13	(Series 697 Only)
Power Door Locks	5	6	11	Sedans
Power Door Locks	5	7	12	Coupes
Lamp Monitors	1	1	2	
T & T Steering	1	-	1	
Leather Trim	3	6	9	(Series 683 Only)
Leather Trim	5	10	15	(Series 69723)
Leather Trim	4	7	11	(Series 69733)
Power Trunk Lock	-3	11	8	
Cruise Control	5	1	6	
Defogger	-	3	3	
R.H. Mirror	2	-	2	
Guidematic	2	-	2	
Controlled Diff.	-	5	5	
Auto Level Control	7	4	11	
Aux Horn	2	-	2	
Opera Lamps	-	2	2	
Vinyl Trim	1	4	5	(Series 682)
Rear Radio Control	3	3	6	
Track Master	9	3	12	
Sun Roof	20	20	40	(Series 681-683)
Trailer Package	11	-1	10	
Trunk Mat	-	7	7	

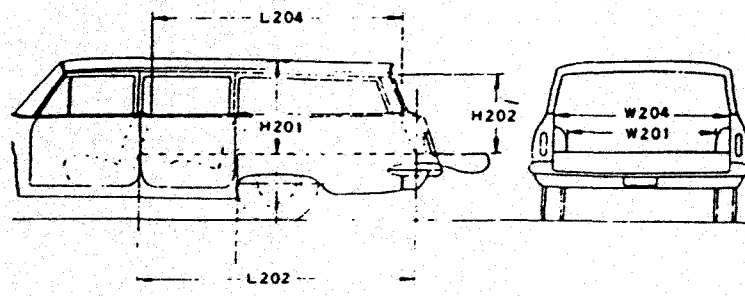
CAR AND BODY DIMENSIONS KEY SHEET EXTERIOR CAR AND BODY DIMENSIONS



INTERIOR CAR AND BODY DIMENSIONS



THIRD SEAT



CARGO SPACE

EXTERIOR CAR AND BODY DIMENSIONS
KEY SHEET
DIMENSION DEFINITIONS

WIDTH DIMENSIONS.

- W101 WHEEL TREAD - FRONT. Measured at centerline of tires, with nominal camber, at ground.
W102 WHEEL TREAD - REAR. Measured at centerline of tires at ground.
W103 MAXIMUM OVERALL CAR WIDTH. Include bumpers, moldings, or sheet metal protrusions. Measured to outside of metal.
W117 MAXIMUM BODY WIDTH AT #2 PILLAR. Measured across body at #2 pillar, excluding hardware and applied moldings.
W120 MAXIMUM OVERALL CAR WIDTH, FRONT DOORS OPEN is measured to outside of sheet metal with front doors in maximum hold-open position.
W121 MAXIMUM OVERALL CAR WIDTH, REAR DOORS OPEN is measured in same manner as W120.

LENGTH DIMENSIONS.

- L30 VERTICAL ZERO LINE TO ACTUAL FRONT OF DASH. If actual Front of Dash is to the rear of Body Zero Line, it is identified by a minus (-) sign.
L101 WHEELBASE.
L103 OVERALL LENGTH. Include bumper guards if standard equipment.
L104 OVERHANG - FRONT. Measured from C/L of front wheels to front of car, including bumper guards if standard equipment.
L105 OVERHANG - REAR. Measured from C/L of rear wheels to rear of car, including bumper guards if standard equipment.
L123 BODY UPPER STRUCTURE LENGTH AT CAR CENTERLINE. The horizontal dimension from the Cowl Point to the Deck Point.
L127 VERTICAL ZERO LINE TO CENTERLINE OF REAR WHEELS. A horizontal dimension.
L130 VERTICAL ZERO LINE TO WINDSHIELD COWL POINT. The horizontal dimension from the vertical zero line to the theoretical intersection of extended windshield glass plane and normal cowl surface.

HEIGHT DIMENSIONS

- H101 OVERALL HEIGHT - DESIGN. Measured with the vehicle in Manufacturer's Design Weight attitude.
H114 COWL POINT TO GROUND. Measured at vehicle centerline.
H138 DECK POINT TO GROUND. Measured at vehicle centerline.
H112 ROCKER PANEL TO GROUND - FRONT. The vertical dimension from ground to bottom of rocker panel, excluding flanges. Measured to the outside of sheet metal at foremost point of rocker panel.

- H133 BOTTOM OF DOOR TO GROUND, CLOSED - FRONT is the same point on the door as H132 dimension, with door closed.
H111 ROCKER PANEL TO GROUND - REAR. The vertical dimension from ground to bottom of rocker panel, excluding flanges. Measured to the outside of sheet metal at front of rear wheel opening.
H135 BOTTOM OF DOOR TO GROUND, CLOSED - REAR is measured in same manner as H133.
H122 WINDSHIELD SLOPE ANGLE. The angle between a vertical line and the windshield surface at car centerline. On compound-curved windshields the chord of the arc is used and limited to that section of the windshield comprehended by an 18-inch chord.
H125 HEADLAMP CENTERLINE TO GROUND is measured vertically to the center of the upper lamp.
H126 TAILLAMP CENTERLINE is measured vertically from ground to the centerline of the upper bulb.

GROUND CLEARANCE DIMENSIONS

- H102 BUMPER TO GROUND - FRONT. Minimum dimension, includes bumper guards.
H104 BUMPER TO GROUND - REAR. Minimum dimension, includes bumper guards.
H106 ANGLE OF APPROACH. The angle between ground and a line tangent to the front tire static loaded radius arc and the first point of interference, i.e., bumper, guard, gravel deflector, fender or other component, excluding license plate. This dimension may be determined graphically for reporting purposes.
H107 ANGLE OF DEPARTURE. The angle between ground and a line tangent to the rear tire static loaded radius arc and the first point of interference, i.e., bumper, guard, gravel deflector, tail pipe, fender or other component, excluding license plate. This dimension may be determined graphically for reporting purposes.
H147 RAMP BREAKOVER ANGLE. The supplement of included ramp angle (180° minus included ramp angle) over which car can pass without interference; measured with car sitting on a level surface, using lines tangent to arcs of front and rear static loaded radii and intersecting at point on underside of car which defines the smallest angle.
H153 REAR AXLE DIFFERENTIAL SYSTEM TO GROUND is a minimum clearance.
H156 MINIMUM RUNNING GROUND CLEARANCE. Location of measurement on the car is to be clearly recorded.

INTERIOR CAR AND BODY DIMENSIONS
KEY SHEET
DIMENSION DEFINITIONS

FRONT COMPARTMENT DIMENSIONS

- L31** H POINT TO VERTICAL ZERO LINE - FRONT is a horizontal dimension.
- H61** EFFECTIVE HEAD ROOM - FRONT. The dimension from H Point to the headlining, plus a constant of 4.0 inches, measured along a line 8° to rear of vertical.
- L34** MAXIMUM EFFECTIVE LEG ROOM-ACCELERATOR. Measured along a diagonal line from the Manikin ankle pivot center to the H Point plus a constant of 10.0 inches. For treadle type accelerator pedals, the leg room is measured with the Manikin's right foot on the accelerator pedal and the Manikin Heel Point at Accelerator Heel Point. All other types of accelerator pedals will be measured with the Manikin foot angle set at 87° and the shoe touching the pedal.
- H30** H POINT TO HEEL POINT - FRONT. The vertical dimension from the H Point to the Accelerator Heel Point.
- L17** H POINT TRAVEL. The horizontal dimension between the H Point in the most forward and rearward seat positions.
- W3** SHOULDER ROOM - FRONT. The minimum lateral dimensions between the door garnish moldings or nearest interference, measured at the H Point station.
- W5** HIP ROOM - FRONT. The lateral dimension through the H Point to trimmed body surfaces. Depress loose side wall cloth to trim foundation or other obstruction if such construction exists.
- H50** UPPER BODY OPENING TO GROUND - FRONT. The vertical dimension from a point on the trimmed body opening to the ground, measured at the H Point station.
- REAR COMPARTMENT DIMENSIONS**
- L50** H POINT COUPLE DISTANCE. The horizontal dimension from the front seat H Point to the rear seat H Point.
- H63** EFFECTIVE HEAD ROOM - REAR. The dimension from the H Point to the headlining, plus a constant of 4.0 inches, measured along a line 8° to rear of vertical.
- L51** MINIMUM EFFECTIVE LEG ROOM - REAR. Measured along a diagonal line from the ankle pivot center to the H Point plus a constant of 10.0 inches, with the foot positioned to the nearest interference between the seat structure and toe, instep or lower leg.
- H31** H POINT TO HEEL POINT - REAR. The vertical dimension from the H Point to the Manikin Heel Point on the depressed floor covering.
- L48** MINIMUM KNEE ROOM - REAR. The minimum dimension from the Manikin knee pivot center to the back of the front seat back.
- L3** REAR COMPARTMENT ROOM. The horizontal dimension from the back of front seat to front of rear seat back at height tangent to the top of rear seat cushion.
- W4** SHOULDER ROOM - REAR. The minimum lateral dimension between the door garnish molding or nearest interference. Measured at H Point station.
- W6** HIP ROOM - REAR. The lateral dimension through H Point to trimmed body surfaces. Depress loose side wall cloth to trim foundation or other obstruction when such construction exists.
- H51** UPPER BODY OPENING TO GROUND - REAR. The vertical dimension from a point on the trimmed body opening to the ground, measured 13.0 inches forward of the H Point.

LUGGAGE COMPARTMENT DIMENSIONS

- V1** LUGGAGE CAPACITY - USABLE. The total luggage compartment luggage capacity in cubic feet with the tire and tools in place.
- H195** LIFTOVER HEIGHT. Vertical dimension from the highest point on the luggage compartment lower opening to ground, excluding corner radii.
- STATION WAGON - THIRD SEAT DIMENSIONS**
- W85** SHOULDER ROOM - THIRD SEAT. The minimum lateral dimension between the door garnish moldings or nearest interference. Measured at H Point station.
- W86** HIP ROOM - THIRD SEAT. The lateral dimension through H Point to trimmed surfaces.
- L86** EFFECTIVE LEG ROOM - THIRD SEAT. Measured along a diagonal line from ankle pivot center to H Point plus a constant of 10.0 inches. With rear-facing third seat, foot is positioned in foot well or to nearest interference with rear end or rear closure.
- H86** EFFECTIVE HEAD ROOM - THIRD SEAT. The dimension from H Point to the headlining, plus a constant of 4.0 inches. Measured along a line 8° to rear of vertical.

STATION WAGON - CARGO SPACE DIMENSIONS

- L202** CARGO LENGTH AT FLOOR - FRONT SEAT. The horizontal dimension, measured at the floor level from the rear of the front seat back to the normal inside limiting interference on the tailgate, on the car centerline.
- L204** CARGO LENGTH AT BELT - FRONT SEAT. The horizontal dimension measured from the top rear of front seat back to a vertical extension line from the normal inside limiting interference at the top of the tailgate, on the car centerline.
- W201** CARGO WIDTH - WHEELHOUSE. The minimum horizontal dimension, measured between wheelhouseings at floor level.
- W204** OPENING WIDTH AT BELT. The minimum horizontal dimension, measured between the nearest normal inside limiting interferences of the rear opening at the top of the tailgate.
- H201** MAXIMUM CARGO HEIGHT. The maximum vertical dimension, measured from the top of the floor covering to the headlining, on the car centerline.
- H202** REAR OPENING HEIGHT. The vertical dimension measured from the top of the floor covering to the normal inside limiting interference at the top of the rear opening, on the car centerline, with both tail-and liftgates fully open.
- V2** CARGO VOLUME INDEX BEHIND FRONT SEAT. The total volume in cubic feet above the normal load floor and behind the front seat with the liftgate and tailgate closed.

W4xL204xH201

1728

INDEX

SUBJECT	PAGE NO.
Automatic Transmission.....	17
Axis, Steering	21
Axle, Rear	18
Battery	13
Bearings, Engine	5, 6, 7
Belts - Fan, Generator, Water Pump	11
Brakes - Parking, Service	19, 20
Camber	21
Camshaft	7
Capacitors	
Cooling System	11
Fuel Tank	10
Lubricants	
Engine Crankcase	9
Transmission and Overdrive	16, 17
Rear Axle	18
Car and Body Dimensions	
Width	2
Length	2
Height	2
Ground Clearance	2
Front Compartment	3
Rear Compartment	3
Luggage Compartment	3
Station Wagon - Third Seat	3
Station Wagon - Cargo Space	3
Carburetor	4, 10, 12
Caster	21
Choke, Automatic	10
Clutch - Pedal Operated	16
Coil, Ignition	15
Connecting Rods	6
Convenience Equipment	24
Cooling System	11
Crankcase Ventilation System	12
Crankshaft	7
Cylinders and Cylinder Head	5
Dimension Definitions	
Key Sheet - Exterior	27, 28
Key Sheet - Interior	27, 29
Distributor - Ignition	14
Electrical System	13, 14, 15
Engine	
Bore, Stroke, Displacement, Type	5
Compression Ratio	4, 5
Firing Order, Cylinder Numbering	5
General Information, H.P. & Torque	4, 5
Lubrication	9
Power Teams	4
Exhaust Emission Control	12
Exhaust System	9
Equipment Availability	24
Fan, Cooling	11
Filters - Engine Oil, Fuel System	9, 10
Frame	23
Front Suspension	22
Fuel, Fuel Pump, Fuel System	5, 10
Fuel Injection	10
Generator and Regulator	13
Glass	23
Height (Lamps)	24
Headroom - Body	3
Heights - Car and Body	2
Horns	15
Horsepower - Brake	4
Ignition System	14
Inflation - Tires	19
Instruments	15

SUBJECT	PAGE NO.
Kingpin (Steering Axis)	21
Lamp height and spacing	24
Legroom	3
Lengths - Car and Body	2
Lifters, valve	8
Linings - Clutch, Brake	16, 20
Lubrication	9, 16, 17, 18
Luggage Compartment	3
Motor, Starting	13
Muffler	9
Piston Pins & Rings	5, 6
Pistons	5, 6
Power Brakes	20
Power Steering	21
Power Teams	4
Propeller Shaft, Universal Joints	17, 18
Pumps - Oil, Fuel	9, 10
Water	11
Radiator, Hoses	11
Ratios - Axle	4, 18
Compression	4, 5
Steering	21
Transmission	16, 17
Rear Axle	4, 18
Regulator - Generator	13
Rims	19
Rings, Piston	6
Rods - Connecting	6
Shock Absorbers, Front & Rear	22
Spark Plugs	15
Speedometer	15
Springs - Front & Rear Suspension	22
Stabilizer (Sway Bar) - Front & Rear	22
Starting System	13
Steering	21
Supply System	13
Suppression - Ignition, Radio	15
Suspension - Front & Rear	22
Tail Pipe	9
Thermostat, Cooling	11
Timing, Engine & Valve	8, 14
Tires	19
Toe in	21
Torque Converter	17
Torque - Engine, Rated	4
Transmission - Types	4, 10, 16, 17
Automatic	4, 10, 16, 17
Manual	4, 10, 16
Ratios	16, 17
Track	2
Trunk Luggage Capacity	3
Turning Diameter	21
Unitized Construction	23
Universal Joints, Propeller Shaft	17, 18
Valves - Intake & Exhaust	8
Vibration Damper	7
Voltage Regulator	13
Water Pump	11
Weights	25, 26
Wheel Alignment	21
Wheelbase	2
Wheels & Tires	19
Wheel Spindle	21
Widths - Car and Body	2
Windshield	23
Windshield Wiper	15