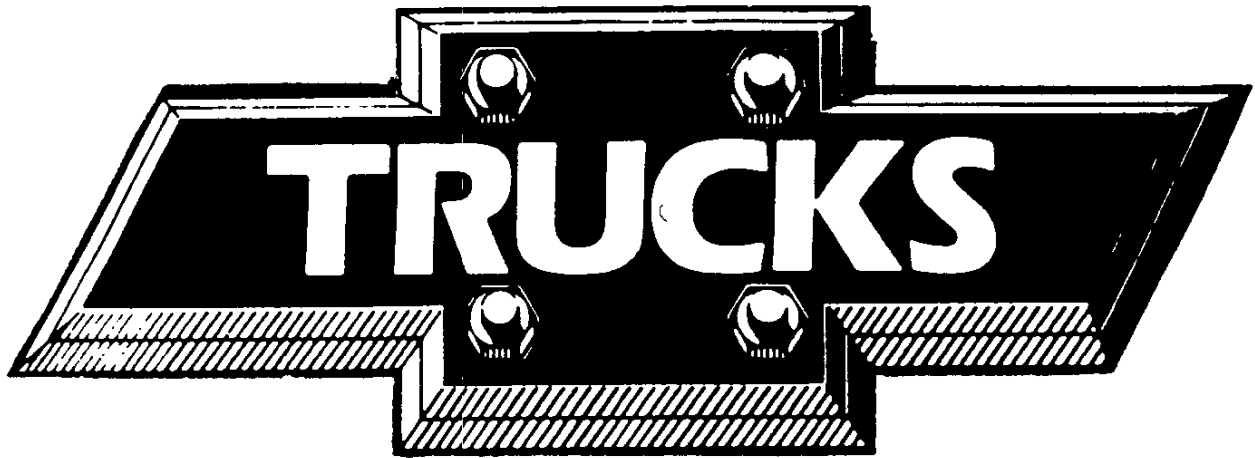




CHEVROLET



1995



•

•

•



C/K PICKUP INTRODUCTION

C/K PICKUP

The 1995 C/K Pickups are available in two trim levels: the "Cheyenne" (standard) and the "Silverado" (up-level).

Changes on the C/K Pickup for 1995 include:

- 4.3L V6 Engine enhancements
- 5.0L V8 Engine enhancements
- 5.7L V8 Engine enhancements
- 7.4L V8 Engine enhancements
- New exterior colors
- New interior colors
- Standard air conditioning with Silverado trim
- Smoother shifting 4L80-E Automatic Transmission
- Standard 4-wheel Anti-Lock Braking System
- Standard P235/75R15 All Season Tires (on 2-wheel drive models)
- Standard Driver's Side Air Bag under 8600 lb GVW
- Standard Electric Below-Eye-Line outside rearview mirrors with uplevel decor
- Standard 7-Lead Wiring Harness for trailering
- Standard Driver's Convenience Group: Speed Control and Tilt Steering, and Power Windows and Door Locks with uplevel decor
- Optional Remote Keyless Entry feature
- Redesigned center console with Reclining High Back Bucket Seats
- New right hand Assist Handle . Left hand/right hand Assist Handles with Crew Cab Models
- Optional leather seats available with Extended Cab Models.
- Standard ETR AM/FM Stereo Radio with Seek-Scan with Digital Clock
- Optional ETR AM/FM Stereo Radio with seek-scan with auto tone control, digital clock, cassette deck, theft lock and speed-compensated volume
- Optional ETR AM/FM Stereo Radio with seek-scan with automatic tone control, digital clock, cassette deck and/or compact disc with theft lock and speed-compensated volume
- New Instrument Panel design, includes two cupholders located in dash and standard tachometer
- New backlit power window and door lock switches
- Seat improvements: Seat design includes new contours and vinyl fabrics and all outboard seats have adjustable head restraints on front and rear seats. Up-level decor includes front power lumbar seats, wide-centered armrests and storage nets located on back of front seats.
- Standard Brake/Transmission Shift Interlock
- 2-Sided Key for simplified entry
- Standard heavy duty radiator
- Standard rear quarter swingout windows with Extended Cab Models only

MODEL SELECTION SUMMARY

Use the chart below to choose the model that fits your customer's needs. Note that the Maximum Payload is based on curb weight. Also, the Maximum Gross Trailer Weight is based on vehicles that are properly equipped. See your 1995 Chevrolet Truck Order Guide for details.

| SERIES | MODEL NUMBER/ BODY CODE/ OPTION CODE | PASSENGER CAPACITY (STD./OPT.) | STANDARD ENGINE/ TRANS. | OPTIONAL ENGINE/ TRANS. | GVWR (LB) | GAWR (LB) FRONT/ REAR | MAXIMUM PAYLOAD (LB) BASED ON CURB WT. | MAX. GROSS TRAILER WT./ TONGUE LOAD (LB) PROPERLY EQUIPPED | MAX. GROSS TRAILER WT. KINGPIN LOAD (LB) PROPERLY EQUIPPED |
|------------------------------------|--|-----------------------------------|----------------------------|---|-----------|-----------------------------|---|--|--|
| TWO-WHEEL DRIVE MODELS | | | | | | | | | |
| C1500 REGULAR CAB | | | | | | | | | |
| SPORTSIDE SHORT BOX | CC10703/E62 | 3/2 | 4.3L V6/M5 | 4.3L V6/A4 5.0L V8/M5/A4 5.7L V8/M5/A4 | 6100 | 3600/3750 | — | 5000/600 6000/750 7500/900 | — |
| FLEETSIDE SHORT BOX WT 1500 | CC10703/E63/ X81 | 3/- | 4.3L V6/M5 | 4.3L V6/A4 | 6100 | 3600/3750 | — | 5000/600 | — |
| FLEETSIDE SHORT BOX | CC10703/E63 | 3/2 | 4.3L V6/M5 | 4.3L V6/A4 5.0L V8/M5/A4 5.7L V8/M5/A4 | 6100 | 3600/3750 | — | 5000/600 6000/750 7500/900 | — |
| FLEETSIDE LONG BOX WT1500 | CC10903/E63/ X81 | 3/- | 4.3L V6/M5 | 4.3L V6/A4 | 6100 | 3600/3750 | — | 5000/600 | — |
| FLEETSIDE LONG BOX | CC10903/E63 | 3/2 | 4.3L V6/M5 | 4.3L V6/A4 5.0L V8/M5/A4 5.7L V8/M5/A4 6.5L V8/M5/A4 6.5L V8 ¹ /A4 | 6100 | 3600/3750 | — | 5000/600 6000/750 7500/900 1000/750 7000/850 | — |
| C1500 EXTENDED CAB | | | | | | | | | |
| SPORTSIDE SHORT BOX | CC10753/E62 | 6/5/3 | 4.3L V6/M5 | 4.3L V6/A4 5.0L V8/M5/A4 5.7L V8/M5/A4 6.5L V8/M5/A4 6.5L V8 ¹ /A4 | 6200 | 3500/3686 | — | 5000/600 6000/750 7500/900 1000/750 7000/850 | — |
| FLEETSIDE SHORT BOX | CC10753/E63 | 6/5/3 | 4.3L V6/M5 | 4.3L V6/A4 5.0L V8/M5/A4 5.7L V8/M5/A4 6.5L V8/M5/A4 6.5L V8 ¹ /A4 | 6200 | 3500/3686 | — | 5000/600 6000/750 7500/900 1000/750 7000/850 | — |
| FLEETSIDE LONG BOX | CC10953/E63 | 6/5/3 | 5.0L V8/M5 | 5.0L V8/A4 5.7L V8/M5/A4 6.5L V8/M5/A4 6.5L V8 ¹ /A4 | 6200 | 3500/3686 | — | 6000/750 7500/900 1000/750 7000/850 | — |
| C2500 REGULAR CAB | | | | | | | | | |
| FLEETSIDE LONG BOX | CC20903/E63 | 3/2 | 4.3L V6/M5 | 4.3L V6/A4 5.0L V8/M5/A4 5.7L V8/M5/A4 6.5L V8/M5/A4 6.5L V8 ¹ /A4 | 7200 | 3150/4670 | — | 1000/600 200/600 100/950 100/300 7500/900 | — 3600/1800 1000/1700 1500/1500 7500/1800 |
| FLEETSIDE LONG BOX HD | CC20903/E63/ C6P/ YHH or YGK | 3/2 | 5.7L V8/M5 | 5.7L V8/A4 7.4L V8/M5/A4 6.5L V8 ¹ /M5/A4 | 8600 | 3600/6000 | — | 100/950 10000/1000 100/1000 | 1000/6000 10000/5700 1000/1000 |

¹ Turbo Diesel.

See the following pages for additional 2- and 4- Wheel Drive Models.

C/K PICKUP

| SERIES | MODEL NUMBER/ BODY CODE/ OPTION CODE | PASSENGER CAPACITY (STD./OPT.) | STANDARD ENGINE/ TRANS. | OPTIONAL ENGINE/ TRANS. | GVWR (LB) | GAWR (LB) FRONT/ REAR | MAXIMUM PAYLOAD (LB) BASED ON CURB WT. | MAX. GROSS TRAILER WT./ TONGUE LOAD (LB) PROPERLY EQUIPPED | MAX. GROSS TRAILER WT./ KINGPIN LOAD (LB) PROPERLY EQUIPPED |
|--|--|--------------------------------------|-------------------------------|--|--------------|--------------------------------|--|---|--|
| TWO-WHEEL DRIVE MODELS (CONT.) | | | | | | | | | |
| C2500 EXTENDED CAB | | | | | | | | | |
| FLEETSIDE SHORT BOX | CC20753/E63 | 6/5/3 | 5.0L V8/M5 | 5.0L V8/A4 5.7L V8/M5/A4 6.5L V8/M5/A4 6.5L V8 ¹ /A4 | 7200 | 3600/4670 | | 6500/800 1000/950 1500/800 7500/900 | 6500/1600 7500/1700 1500/1800 7500/1800 |
| FLEETSIDE LONG BOX HD | CC20953/E63/ C6P/ YHH or YGK | 6/5/3 | 5.7L V8/M5 | 5.7L V8/A4 7.4L V8/M5/A4 6.5L V8 ¹ /M5/A4 | 8600 | 3600/6000 | | 1000/950 10000/1000 8500/1000 | 8000/2000 11000/2700 1800/2100 |
| C3500 REGULAR CAB | | | | | | | | | |
| FLEETSIDE LONG BOX | CC30903/E63 YGK or YHH | 3/2 | 5.7L V8/M5 | 5.7L V8/A4 7.4L V8/M5/A4 6.5L V8 ¹ /M5/A4 | 9000 | 3600/6084 | | 9500/1000 10000/1000 8500/1000 | 9500/2300 1100/2100 8500/2100 |
| FLEETSIDE LONG BOX DUAL REAR WHEELS | CC30903/E63/ R05 | 3/2 | 5.7L V8/M5 | 5.7L V8/A4 7.4L V8/M5/A4 6.5L V8 ¹ /M5/A4 | 10000 | 3600/7500 | | 9500/1000 10000/1000 8500/1000 | 9500/2300 1100/3200 1800/2100 |
| C3500 EXTENDED CAB | | | | | | | | | |
| FLEETSIDE LONG BOX DUAL REAR WHEELS | CC30953/E63/ R05 | 6/5/3 | 5.7L V8/M5 | 5.7L V8/A4 7.4L V8/M5/A4 6.5L V8 ¹ /M5/A4 | 10000 | 3600/7500 | | 9500/1000 10000/1000 8500/1000 | 9500/2300 11000/3200 1500/2100 |
| C3500 CREW CAB | | | | | | | | | |
| SINGLE REAR WHEELS | CC30943/E63 | 6/5 | 5.7L V8/M5 | 5.7L V8/A4 7.4L V8/M5/A4 6.5L V8 ¹ /M5/A4 | 9000 | 4100/6084 | | 7500/900 10000/1000 1000/950 | 7500/1800 10000/2600 8000/2000 |
| DUAL REAR WHEELS | CC30943/E63/ R05 | 6/5 | 5.7L V8/M5 | 5.7L V8/A4 7.4L V8/M5/A4 6.5L V8 ¹ /M5/A4 | 10000 | 4100/7500 | | 9000/1000 10000/1000 1000/950 | 9000/2200 10000/2100 8000/2000 |

¹ Turbo Diesel.
See the following pages for 4-Wheel Drive Models.

C/K PICKUP

| SERIES | MODEL NUMBER/ BODY CODE/ OPTION CODE | PASSENGER CAPACITY (STD./OPT.) | STANDARD ENGINE/ TRANS. | OPTIONAL ENGINE/ TRANS. | GVWR (LB) | GAWR (LB) FRONT/ REAR | MAXIMUM PAYLOAD (LB) BASED ON CURB WT. | MAX. GROSS TRAILER WT./ TONGUE LOAD (LB) PROPERLY EQUIPPED | MAX. GROSS TRAILER WT./ KINGPIN LOAD (LB) PROPERLY EQUIPPED |
|--|--|--------------------------------------|-------------------------------|--|--------------|--------------------------------|--|---|--|
| FOUR-WHEEL DRIVE MODELS | | | | | | | | | |
| K1500 REGULAR CAB | | | | | | | | | |
| SPORTSIDE SHORT BOX | CK10703/E62 | 3/2 | 4.3L V6/M5 | 4.3L V6/A4 5.0L V8/M5/A4 5.7L V8/M5/A4 | 6100 | 3600/3750 | 1077 | 5000/600 6500/800 7000/850 | — — — |
| FLEETSIDE SHORT BOX WT 1500 | CK10703/E63/ X81 | 3/- | 4.3L V6/M5 | 4.3L V6/A4 | 6100 | 3600/3750 | 1077 | 5000/600 | — |
| FLEETSIDE SHORT BOX | CK10703/E63 | 3/2 | 4.3L V6/M5 | 4.3L V6/A4 5.0L V8/M5/A4 5.7L V8/M5/A4 | 6100 | 3600/3750 | 1077 | 5000/600 6500/800 7000/850 | — — — |
| FLEETSIDE LONG BOX WT1500 | CK10903/E63/ X81 | 3/- | 4.3L V6/M5 | 4.3L V6/A4 | 6100 | 3600/3750 | 1077 | 5000/600 | — |
| FLEETSIDE LONG BOX | CK10903/E63 | 3/2 | 4.3L V6/M5 | 4.3L V6/A4 5.0L V8/M5/A4 5.7L V8/M5/A4 6.5L V8/M5/A4 6.5L V8/A4 | 6100 | 3600/3750 | 1077 | 5000/600 6500/800 7000/850 6500/800 7000/850 | — — — — — |
| K1500 EXTENDED CAB | | | | | | | | | |
| SPORTSIDE SHORT BOX | CK10753/E62 | 3/5/3 | 4.3L V6/M5 | 4.3L V6/A4 5.0L V8/M5/A4 5.7L V8/M5/A4 | 6200 | 3600/3750 | 1035 | 5000/600 6500/800 7000/850 | — — — |
| SPORTSIDE SHORT BOX | CK10753/E62 | 6/5/3 | 4.3L V6/M5 | 4.3L V6/A4 5.0L V8/M5/A4 5.7L V8/M5/A4 6.5L V8/M5/A4 6.5L V8/A4 ¹ | 6600 | 3600/3750 | 1070 | 5000/600 6500/800 7000/850 6500/800 7000/850 | — — — — — |
| FLEETSIDE SHORT BOX | CK10753/E63 | 4/3 | 4.3L V6/M5 | 4.3L V6/A4 5.0L V8/M5/A4 5.7L V8/M5/A4 | 6200 | 3600/3750 | 1035 | 5000/600 6500/800 7000/850 | — — — |
| FLEETSIDE SHORT BOX | CK10753/E63 | 6/5/3 | 4.3L V6/M5 | 4.3L V6/A4 5.0L V8/M5/A4 5.7L V8/M5/A4 6.5L V8/M5/A4 6.5L V8/A4 ¹ | 6600 | 3600/3750 | 1070 | 5000/600 6500/800 7000/850 6500/800 7000/850 | — — — — — |
| FLEETSIDE LONG BOX | CK10953/E63 | 4/3/3 | 5.0L V8/M5 | 5.0L V8/A4 5.7L V8/M5/A4 | 6200 | 3600/3750 | 979 | 6500/800 7000/850 | — |
| FLEETSIDE LONG BOX | CK10953/E63 | 6/5/3 | 5.0L V8/M5 | 5.0L V8/A4 5.7L V8/M5/A4 6.5L V8/M5/A4 6.5L V8/A4 | 6600 6800 | 3600/3750 | 992 1018 | 6500/800 7000/850 6500/800 7000/850 | — — — — |

¹ Turbo Diesel.
A=100=1.50#

C/K PICKUP

| SERIES | MODEL NUMBER/ BODY CODE/ OPTION CODE | PASSENGER CAPACITY (STD./OPT.) | STANDARD ENGINE/ TRANS. | OPTIONAL ENGINE/ TRANS. | GVWR (LB) | GAWR (LB) FRONT/ REAR | MAXIMUM PAYLOAD (LB) BASED ON CURB WT. | MAX. GROSS TRAILER WT./ TONGUE LOAD (LB) PROPERLY EQUIPPED | MAX. GROSS TRAILER WT./ KINGPIN LOAD (LB) PROPERLY EQUIPPED |
|--|--|-----------------------------------|----------------------------|----------------------------|-----------|-----------------------------|---|--|---|
| FOUR-WHEEL DRIVE MODELS (CONT.) | | | | | | | | | |
| K2500 REGULAR CAB | | | | | | | | | |
| FLEETSIDE LONG BOX | CK20903/E63 | 3/2 | 4.3L V6/M5 | 4.3L V6/A4 | 7200 | 3750/4670 ² | 1150 | 4500/450 | — |
| | | | | 5.0L V8/M5/A4 | | | | 6000/750 | 6000/1500 |
| FLEETSIDE LONG BOX HD | CK20903/E63/ C6P YHH or YGK | 3/2 | 5.7L V8/M5 | 5.7L V8/A4 | 8600 | 3750/6000 | 138 | 7500/1000 | 7500/1800 |
| | | | | 7.4L V8/M5/A4 | | | | 10000/1000 | 10000/2600 |
| | | | | 6.5L V8/M5/A4 | | | | 7000/850 | 7000/1700 |
| | | | | 6.5L V8/A4 | | | | | |
| K2500 EXTENDED CAB | | | | | | | | | |
| FLEETSIDE SHORT BOX | CK20753/E63 | 6/5/3 | 5.0L V8/M5 | 5.0L V8/A4 | 7200 | 3750/4410 | 103 | 6000/750 | 1000/1600 |
| | | | | 5.7L V8/M5/A4 | | | | 1500/800 | 1500/1600 |
| FLEETSIDE LONG BOX HD | CK20953/E63/ C6P YGK or YHH | 6/5/3 | 5.7L V8/M5 | 5.7L V8/A4 | 8600 | 3750/6000 | 137 | 7500/1000 | 7500/1800 |
| | | | | 7.4L V8/M5/A4 | | | | 10000/1000 | 10000/2600 |
| | | | | 6.5L V8/M5/A4 | | | | 7000/850 | 7000/1700 |
| | | | | 6.5L V8/A4 | | | | | |
| K3500 REGULAR CAB | | | | | | | | | |
| FLEETSIDE LONG BOX | CK30903/E63 YGK or YHH | 3/2 | 5.7L V8/M5 | 5.7L V8/A4 | 9200 | 3750/6084 | 150 | 7500/900 | 7500/1800 |
| | | | | 7.4L V8/M5/A4 | | | | 10000/1000 | 10000/3100 |
| FLEETSIDE LONG BOX DUAL REAR WHEELS | CK30903/E63/ R05 | 3/2 | 5.7L V8/M5 | 5.7L V8/A4 | 10000 | 3750/7500 | 1935 | 7500/900 | 7500/1800 |
| | | | | 7.4L V8/M5/A4 | | | | 10000/1000 | 10000/3100 |
| | | | | 6.5L V8/M5/A4 | | | | 8000/950 | 8000/2000 |
| | | | | | | | | | |
| K3500 EXTENDED CAB | | | | | | | | | |
| FLEETSIDE LONG BOX DUAL REAR WHEELS | CK30953/E63/ R05 | 6/5/3 | 5.7L V8/M5 | 5.7L V8/A4 | 10000 | 3750/7500 | 134 | 7500/900 | 7500/1800 |
| | | | | 7.4L V8/M5/A4 | | | | 10000/1000 | 10000/3100 |
| | | | | 6.5L V8/M5/A4 | | | | 8000/950 | 8000/2000 |
| | | | | | | | | | |
| K3500 CREW CAB | | | | | | | | | |
| SINGLE REAR WHEELS | CK30943/E63 | 6/5 | 5.7L V8/M5 | 5.7L V8/A4 | 9200 | 4500/6084 | 1074 | 8500/1000 | 8500/2100 |
| | | | | 7.4L V8/M5/A4 | | | | 10000/1000 | 12500/3100 |
| DUAL REAR WHEELS | CK30943/E63/ R05 | 6/5 | 5.7L V8/M5 | 5.7L V8/A4 | 10000 | 4500/7500 | 1077 | 8500/1000 | 8500/2100 |
| | | | | 7.4L V8/M5/A4 | | | | 10000/1000 | 12500/3100 |
| | | | | 6.5L V8/M5/A4 | | | | 8000/950 | 8000/2000 |
| | | | | | | | | | |

¹ Turbo Diesel.

² Requires 4.3L, 5.0L or 5.7L engines.

³ Requires XHH or XGK tires.

POWERTRAINS

Chevrolet offers a variety of engines, transmissions and rear axle ratios for the C/K Pickups. The following charts detail basic engine, transmission and axle specifications. See your 1995 Chevrolet Truck Order Guide for details.

| ENGINES | | | | | | | | |
|---|-----------------------------|-----------------------------|--------------------------------|-----------------------------|-----------------------------|--------------------------------|--------------------------------|-----------------------------|
| ENGINE | 4.3L V6 | 5.0L V8 | 5.7L V8 | 5.7L V8 HD | 7.4L V8 HD | 6.5L V8 DIESEL | 6.5L V8 TURBO DIESEL | 6.5L V8 TURBO DIESEL |
| Order Code Restrictions | LB4 8500 GVW or Under | L03 Up To 7200 GVW | L05 8500 GVW or Under | L05 Above 8500 GVW | L19 Above 8500 GVW | L49 8500 GVW or Under | L56 8500 GVW or Under | L65 Above 8500 GVW |
| SAE Net Horsepower @ RPM | 160@ 4000 | 175@ | 4000 | 4000 | 230@ 3600 | 155@ 3600 | 180@ 3400 | 190@ 3400 |
| SAE Net Torque lb ft @ RPM | 235@ 2400 | | | 2400 | 385@ 1600 | 275@ 1700 | 360@ 1700 | 385@ 1700 |
| Fuel System | EFI | EFI | EFI | EFI | EFI | IFI | TIDI | TIDI |
| Clutch Size (in.) | 11 | 12 | 12 | 12 | 12 | 12 | 12 | 12 |
| Standard Battery Cold Cranking Amps @ 0°F | 600 | 600 | 600 | 600 | 600 | 2 @ 600 each | 2 @ 600 each | 2 @ 600 each |
| Standard Alternator Maximum Capacity (Amps) | 100 | 100 | 100 | 100 | 100 | 100 | 100 | 100 |

| TRANSMISSIONS | | | | |
|-------------------------|----------------------------|--|--|---|
| | MANUAL | | AUTOMATIC | |
| | MANUAL 5-SPEED W/OVERDRIVE | MANUAL 5-SPEED W/OVERDRIVE AND DEEP LOW HEAVY-DUTY | ELECTRONICALLY CONTROLLED AUTOMATIC 4-SPEED OVERDRIVE W/TORQUE CONVERTER CLUTCH (4L60-E) | ELECTRONICALLY CONTROLLED AUTOMATIC 4-SPEED OVERDRIVE W/TORQUE CONVERTER CLUTCH HEAVY-DUTY (4L80-E) |
| Transmission Order Code | MG5 | MW3 | M30 | MT1 |
| Application | 8500 GVW or Under | See Order Guide | 8500 GVW or Under | Above 8500 GVW and Turbo Diesel |
| Synchronized Speeds | 1/2/3/4/5 | 1/2/3/4/5 | — | — |
| Gear Ratios | | | | |
| First | 4.02 | 5.61 | 3.06 | 2.48 |
| Second | 2.32 | 3.04 | 1.63 | 1.48 |
| Third | 1.40 | 1.67 | 1.00 | 1.00 |
| Fourth | 1.00 | 1.00 | 0.70 | 0.75 |
| Fifth | 0.73 | 0.75 | — | — |
| Reverse | 3.55 | 5.61 | 2.29 | 2.08 |
| Power Take-Off | No | Yes | No | No |

| REAR AXLES | | | | | | | | | | | | | | | | | |
|---------------------------|--------------------|------|------|--------------------|------|------|--------------------|------|------|-------------------------|------|------|--------------------|------|------|------|------|
| Availability | (See Order Guide) | | | (See Order Guide) | | | (See Order Guide) | | | (See Order Guide) | | | (See Order Guide) | | | | |
| Make | GM | | | GM | | | GM | | | GM | | | GM | | | | |
| Capacity (lb) | 3750 Semi-Floating | | | 4800 Semi-Floating | | | 6000 Full-Floating | | | 6000-6084 Full-Floating | | | 7500 Full-Floating | | | | |
| Pinion and Ring Gear Type | Hypoid | | | Hypoid | | | Hypoid | | | Hypoid | | | Hypoid | | | | |
| Axle Ratio Code | GU4 | GU6 | GT4 | GU6 | GT4 | GT5 | GU6 | GT- | GT5 | HC4 | GU6 | GT4 | GT5 | HC4 | GT4 | GT5 | HC4 |
| Ratio | 3.08 | 3.42 | 3.73 | 3.42 | 3.73 | 4.10 | 3.42 | 3.73 | 4.10 | 4.56 | 3.42 | 3.73 | 4.10 | 4.56 | 3.73 | 4.10 | 4.56 |
| Pinion Teeth | 13 | 12 | 11 | 12 | 11 | 10 | 12 | 11 | 10 | 9 | 12 | 11 | 10 | 9 | 11 | 10 | 9 |
| Ring Gear Teeth | 41 | 41 | 41 | 41 | 41 | 41 | 41 | 41 | 41 | 41 | 41 | 41 | 41 | 41 | 41 | 41 | 41 |
| Ring Gear Diameter (in.) | 8.5 | 8.5 | 8.5 | 9.5 | 9.5 | 9.5 | 9.5 | 9.5 | 9.5 | 9.5 | 10.5 | 10.5 | 10.5 | 10.5 | 10.5 | 10.5 | 10.5 |

Note: Axle Ratio availability depends on model, powertrain and emissions selected. See your 1995 Chevrolet Truck Order Guide for specific details.

C/K PICKUP

| FRONT AXLES | | | | | | | | | | |
|----------------------------|---------------------------|------|------|-------------------------|------|------|------|-------------------------|------|------|
| Availability | K1500 & K2500 w/7200 GVWR | | | K2500 w/C6P & K3500 | | | | K30943 | | |
| Make/Capacity (lb) | GM/3925 | | | GM/4250 | | | | GM/4500 | | |
| Pinion and Ring Gear Type | Hypoid | | | Hypoid | | | | Hypoid | | |
| Ratio | 3.42 | 3.73 | 4.10 | 3.42 | 3.73 | 4.10 | 4.56 | 3.73 | 4.10 | 4.56 |
| Pinion Teeth | 12 | 11 | 10 | 12 | 11 | 10 | 9 | 11 | 10 | 9 |
| Ring Gear Teeth | 41 | 41 | 41 | 41 | 41 | 41 | 41 | 41 | 41 | 41 |
| Ring Gear Diameter (in.) | 8.25 | 8.25 | 8.25 | 9.25 | 9.25 | 9.25 | 9.25 | 9.75 | 9.75 | 9.75 |
| Differential Type | 2-Pinion Tapered Roller | | | 2-Pinion Tapered Roller | | | | 2-Pinion Tapered Roller | | |
| Bearings, Type | | | | | | | | | | |
| Lubricant Capacity (pints) | 4.5 | | | 6 | | | | 6 | | |

Note: Axle Ratio availability depends on model, powertrain and emissions selected. See your 1995 Chevrolet Truck Order Guide for specific details.

TRIM LEVELS

Chevrolet offers C/K Pickups in two primary trim levels — “Cheyenne” and “Silverado.” The following chart details major standard features. See your 1995 Chevrolet Truck Order Guide for more details, including information on the WT 1500 and Sport Pickup.

| CHASSIS EQUIPMENT | | | |
|-------------------------------------|---|---------------------|-----------------|
| KEY: ■ = STANDARD, — = NOT INCLUDED | | CHEYENNE (STANDARD) | SILVERADO (YES) |
| BRAKES | Power-assisted, front disc, rear drum; self-adjusting. Four wheel anti-lock system. Includes brake/transmission interlock. | ■ | ■ |
| EXHAUST | Single. | ■ | ■ |
| FRAME | All-welded ladder-type, channel design and boxed front-end section. Section modulus (cu in.): Reg. Cabs — 2.66 on C/K 1500 and C/K 2500 (2WD), 3.27 on C/K 1500 and C/K 2500 (4WD), 5.26 on C/K 2500 /C6P and C/K3500 (2WD), 5.25 on C/K2500 w/C6P and C/K3500 (4WD). Ext. Cabs — 3.37 on C/K1500 and C/K2500 (2WD), 4.06 on C/K 1500 and C/K2500 (4WD), 6.06 on C/K 2500 w/C6P and C/K3500, Crew Cab — 7.49 on all models. | ■ | ■ |
| FUEL TANK | 25.0 gallon (approx.) capacity on C/K 10703/53 and C/K 20753 models. 34.0 gallon (approx.) capacity on all other models. | ■ | ■ |
| REAR AXLE | Hypoid semi-floating on C/K 1500 and 2500. Full-floating on C/K 2500/C6P w/L19 or L65 and C/K3500. | ■ | ■ |
| SHOCK ABSORBERS | 25 mm: C/K 1500 front and rear; 32 mm: Front on C/K2500 at 7200 lb GVWR and C/K3500. Rear on C/K2500 and 3500; 32 mm: Front on C/K2500 at 8600 lb GVWR and Crew Cab. | ■ | ■ |
| STABILIZER BAR | 4x2: Front 1.25 inch; 4x4: Front 1.18 inch. | ■ | ■ |
| STEERING | Integral power. | ■ | ■ |
| SUSPENSION, FRONT | 4x2: Independent with computer-selected coil springs. 4x4: Independent with computer-selected torsion springs. | ■ | ■ |
| SUSPENSION, REAR | C/K1500 and 2500: Semi-elliptic two-stage multi-leaf springs. C/K3500: Semi-elliptic two-stage multi-leaf springs main/auxiliary. | ■ | ■ |
| TOW HOOKS | Two front on 4x4s. | ■ | ■ |

| EXTERIOR EQUIPMENT | | | |
|----------------------|--|---|---|
| AIR DAM | Black (not included on models at or above 8600 lb GVW). | ■ | ■ |
| BUMPER, FRONT | Bright appearance (w/black rub strip on Crew Cab). Bright appearance, includes black rub strip with bright trim and bright rear appearance with step. | ■ | — |
| GLASS | Solar-Ray™ tinted glass. | ■ | ■ |
| GRILLE | Molded plastic painted medium argent with medium argent air intake areas. Deluxe front appearance package with bright grille and bright trim with medium argent intake areas. | ■ | — |
| HEADLAMPS | Single rectangular halogen. Dual composite halogen. | ■ | — |
| HORN | Single electric low-note. Dual low- and high-note. | ■ | — |

C/K PICKUP

| EXTERIOR EQUIPMENT (CONT.) | | CHEYENNE (STANDARD) | SILVERADO (YE9) |
|--|--|---------------------|-----------------|
| KEY: ■ = STANDARD, — = NOT INCLUDED | | | |
| INSULATION | Flood and cab to fender. | — | ■ |
| LAMPS | Center high-mounted stop lamp cargo lamp. Underhood lamp (C6P, K3500) | ■ — | ■ ■ |
| MIRRORS | RH and LH below-eye-line type, painted black. Head size is 8.5" x 5.0". RH and LH electric below-eye-line, outside rearview type painted black. Head size is 8.5" x 5.0". | ■ — | — ■ |
| MOLDINGS | Black body-side with bright trim and bright wheel opening (E63 only). (N/A K2500 C6P, K3500 and Sportside). Crew Cab: Bright trim with wheel opening molding (R04). | — ■ | ■ ■ |
| SPARE TIRE AND WHEEL | Full-size. | ■ | ■ |
| SPARE TIRE CARRIER | Winch-type carrier mounted under frame at rear. | ■ | ■ |
| TIRES | Steel Belted Radials. C/K1500 Reg. Cab (2WD) P235 75R15. Ext. Cab (2WD) P235 75R15. Reg. Cab (4WD) LT225/75R16C. Ext. Cab (4WD) LT245 75R16C. C/K2500 Reg. Cab (2WD)/(4WD) and Ext. Cab (2WD) LT225/75R16D. Ext. Cab (4WD) LT245 75R16C. All models with C6P LT245/75R16E. C/K3500 Reg. Cab, Ext. Cab and Crew Cab w/R04 LT245/75R16E. Reg. Cab and Ext. Cab (2WD) w/R05 LT225/75R16C/D. Reg. Cab, Ext. Cab (4WD) and Crew Cab R05 LT245/75R16D. | ■ | ■ |
| WHEELS | Silver painted steel wheels with black hub ornament. (Argent painted on Crew Cab) 15.0" x 6.0": C/K 1500 (2WD). 16.0" x 6.5": C/K 1500 (4WD), C/K 2500, C/K 3500 w/R04. C/K 3500 w/R05 (front only). 16.0" x 6.0": C/K 3500 w/R05 (rear only). Rally wheel trim. Crew Cab: Rally trim. | ■ — — | — ■ ■ |
| WINDOWS | Rear quarter swing out on extended cab models only. | ■ | ■ |
| WIRING | Seven-lead wiring harness for training purposes. | ■ | ■ |

| INTERIOR EQUIPMENT | | CHEYENNE (STANDARD) | SILVERADO (YE9) |
|----------------------------------|--|---------------------|-----------------|
| AIRBAG | Driver's side (not included on models at or above 8600 lb GVWR). | ■ | ■ |
| AIR CONDITIONING | Front. | — | ■ |
| ARMRESTS | RH and LH padded integral with door panels. | ■ | ■ |
| CAB BACK PANELS | Color-keyed carpet. | — | ■ |
| CIGARETTE LIGHTER | Located on instrument panel. Includes ashtray light and 2 auxiliary power outlets. | ■ | ■ |
| CUPHOLDER | Two located in the dash. | ■ | ■ |
| DOME LAMP | Switch in LH and RH door jamb (two dome lamps with front door actuated switches on Crew Cab). Switches in all four doors on Crew Cab models. | ■ — | ■ ■ |
| DOOR TRIM | Vinyl color-keyed door trim panels with padded insert armrest, large easily accessible door handles, and door reflectors. Color-keyed soft vinyl with cloth insert, map pockets with carpet trim, large easily accessible door handles and door reflectors with light. NOTE: Scotchgard™ protection on all cloth panel and trim. | ■ — | — ■ |
| DOOR PILLAR AND ROOF SIDE PANELS | Color-keyed. | ■ | ■ |
| DOOR SILL PLATE | Color-keyed. | ■ | ■ |
| DOORS | Side door guard beams. | ■ | ■ |
| DRIVER'S CONVENIENCE GROUP | Speed Control and Tilt Steering Wheel. Power windows and door locks. | — | ■ |
| FLOOR COVERING | Embossed color-keyed rubber mat (03, 53 models). Embossed black rubber mat (Crew Cab only). Color-keyed carpeting and removable color-keyed rubber floor mats. NOTE: Scotchgard™ protection on all cloth floor coverings. | ■ ■ — | — — ■ |

C/K PICKUP

| INTERIOR EQUIPMENT (CONT.) | | | |
|-------------------------------------|---|------------------------|-----------------------|
| KEY: ■ = STANDARD, — = NOT INCLUDED | | CHEYENNE (STANDARD) | SILVERADO (YE9) |
| GAGES | Including fuel level, odometer, oil pressure, trip odometer, speedometer, telltale lights, engine temperature, voltmeter and tachometer. | ■ | ■ |
| GLOVE BOX | Latched door — | ■ | ■ |
| HEADLAMP WARNING BUZZER | Headlamps on. | ■ | ■ |
| HEADLINER | Full-length color-keyed cloth with matching retainer moldings. Crew Cab: Full-length color-keyed cloth with matching retainer moldings, and three assist handles (RF, LR, RR). | ■ ■ | ■ ■ |
| HEATER | Deluxe with windshield and side window defoggers. | ■ | ■ |
| INSULATION | Provided on dash panels, cowl tops and sides, and doors. Extended Cabs have additional insulation on the rear quarter and back panels and on floor coverings. Extra insulation is provided with diesel engines. Plus insulation on headliners. Plus insulation on Regular Cab back panels. | ■ — — | ■ ■ ■ |
| MIRRORS | 10-inch rearview. | ■ | ■ |
| RADIOS | ETR AM/FM stereo radio with seek-scan and digital clock. Includes two 6" diameter front door mounted speakers and two 4" x 6" rear mounted speakers located at rear above door (4 speakers in all). ETR AM/FM stereo radio with seek-scan, digital clock, and cassette deck. Includes two 6" diameter front door mounted speakers, and two 4" x 6" rear mounted speakers located at rear above door (4 speakers in all). | ■ — | — ■ |
| SEATS | Regular Cab: Front 3-passenger bench with head restraints and folding backrest. Front 3-passenger bench with head restraints and folding center armrest. Power lumbar with front seats only and front seat back storage nets included. Extended Cab: Front reclining 3-passenger 60/40 split bench with head restraints and folding rear bench seat. Front reclining 3-passenger 60/40 split bench with head restraints and folding rear bench seat includes center armrest. Power lumbar with front seats only and front seat back storage nets included. Crew Cab: Front 3-passenger bench with head restraints and folding backrest and rear 3-passenger bench with adjustable backrest (YE9 includes center armrest, dual power lumbar and front seat back storage nets). NOTE: Scotchgard™ Protection on all cloth seats and cloth door trim panels. | ■ — ■ — ■ | — ■ — ■ ■ |
| STEERING WHEEL | Simulated leather. Leather. | ■ — | — ■ |
| STORAGE TRAY | Full width behind seat on floor. | ■ | ■ |
| SUNSHADE | Color-keyed cloth RH and LH, padded with storage strap on LH unit and visor mirror on RH unit. Crew Cab: Padded, color-keyed cloth RH and LH sunshades with extenders and illuminated mirrors. LH sunshade has storage strap. | ■ — | ■ ■ |
| TOOLS | Mechanical jack and wheel wrench located behind front seat or on rear compartment floor. | ■ | ■ |
| TRIM PANELS | Extended Cabs have rear, upper, lower and side trim panels and a molded color-keyed, cloth headliner with matching retaining moldings. | ■ | ■ |
| WINDSHIELD WIPERS | Intermittent. | ■ | ■ |

PREFERRED EQUIPMENT GROUPS

Preferred Equipment Groups (PEGs) are convenient option packages that can save your customers money. They would pay appreciably more by buying all the options in a Preferred Equipment Group as individual options. (Savings based on a comparison of Manufacturer's Suggested Retail Price of option packages vs. MSRP of individual options purchased separately.) See your 1995 Chevrolet Truck Order Guide and Vehicle Price Schedule for specific information and prices.

OPTIONS

These options can be ordered individually in addition to the Preferred Equipment Groups if not already included. See your 1995 Chevrolet Truck Order Guide for specific availability and restrictions. The Option Code is listed in **bold type**.

| | |
|--|------------|
| Air Conditioning | C60 |
| Appearance Package: Chrome Grille, Composite Headlamps and Dual Horns | V22 |
| Axles, Rear: | |
| 3.08 | GU4 |
| 3.42 | GU6 |
| 3.73 | GT4 |
| 4.10 | GT5 |
| 4.56 | HC4 |
| Axle, Rear Locking Differential | G80 |
| Battery, Heavy-Duty, Auxiliary | TP2 |
| Bedliner | BZ1 |
| Bumper Delete Provisions (requires E62 or E53 and YES) | EF1 |
| Bumper, Painted Rear Step (N/A with Silverado Decor) | V43 |
| Bumper, Chromed Rear Step w/ Rub Strip | VB3 |
| Bumper, Chromed Front Deluxe w/Rub Strip | VG3 |
| Chassis Equipment, Heavy-Duty | F44 |
| Cold Climate Package (includes Engine Block Heater) | V10 |
| Convenience Package, Driver's (includes Tilt-Wheel™ Steering and Electronic Speed Control) | ZQ3 |
| Cooling System: | |
| Engine Oil Cooler | KC4 |
| Heavy Duty Transmission | KNP |
| Defogger, Rear Window (Extended and Crew Cab Only) | C49 |
| Emissions | |
| Federal | FE9 |
| California | YF5 |
| Massachusetts | NG1 |
| Federal Emissions Override | NC7 |
| Cal./Mass. Emissions Override | NB8 |
| Engines: | |
| 4.3L V6 EFI | LB4 |
| 5.0L V8 EFI | L03 |
| 5.7L V8 EFI | L05 |
| 7.4L V8 EFI | L19 |
| 6.5L V8 Diesel | L49 |
| 6.5L V8 Turbo Diesel | L56 |
| 6.5L V8 Turbo Diesel | L65 |
| Alternative Fuel | KL5 |
| Floor Covering | |
| Full Floor Rubber, Color-Keyed (requires YE9 Silverado) | BG9 |
| Glass, Solar-Ray™ Deep-Tinted, sides and rear (Extended and Crew Cab only) .. | AJ1 |

| | |
|---|------------|
| GVWR | |
| 6100 lb | C5M |
| 6200 lb | Q4B |
| 6600 lb | C5S |
| 6800 lb | C5U |
| 7200 lb | C5Z |
| 8600 lb | C6P |
| 9000 lb | C6U |
| 9200 lb | C6W |
| 10,000 lb | C7A |
| Keyless Entry, Remote | AU0 |
| Lamps, Roof Marker (included w/Dual Rear Wheels R05) (N/A with 1500 series models) | U01 |
| Lense Plate Bracket, Front | YK3 |
| Locks, Power Door | AU3 |
| Marketing Packages | |
| See Order Guide for details: | |
| Convenience Package | R9A |
| Bright Appearance Package | R9B |
| Leather Package | R9D |
| Extended Cab only | R9D |
| Sport Package | BYP |
| C/K 10703 (w. E52 only) | BYP |
| Work Truck Package (2500 models only) | APR |
| Mirrors: | |
| Exterior Camper Type (LH and RH stainless steel. Mirror head: 7.5" x 10.5") | DF2 |
| Moldings, Body-Side Black with Bright Trim | B85 |
| Off-Road Chassis Package (K1500 only) (includes Bilstein 46 mm shocks and skid plate NZZ) (Requires Silverado Decor) (Reqs YE9) | Z71 |
| Paint, Exterior | |
| Solid | ZY1 |
| Conventional Two-Tone (Requires Silverado Decor) | ZY2 |
| Deluxe Two-Tone (Requires Silverado Decor) | ZY4 |
| Pick-up Box Delete (43 models only) .. | ZW9 |
| Radio Equipment: | |
| Radio Delete | UL5 |
| ETR AM/FM Stereo Radio w/Seek-Scan, Stereo Cassette, Digital Clock | UM6 |
| ETR AM/FM Stereo Radio with Seek-Scan with Automatic Tone Control, Stereo Cassette Deck, Digital Clock, TiltLock™ and Speed-Compensated Volume (with Silverado Decor includes an enhanced performance speaker system) | UL0 |

| | |
|---|------------|
| ETR AM/FM Stereo Radio with Seek-Scan with Automatic Tone Control, Compact Disc Player, Digital Clock, TiltLock™ and Speed-Compensated Volume (with Silverado Decor includes an enhanced performance speaker system) | UN0 |
| ETR AM/FM Stereo Radio with Seek-Scan with Automatic Tone Control, Compact Disc Player, Cassette Deck, Digital Clock, TiltLock™ and Speed-Compensated Volume (with Silverado Decor includes an enhanced performance speaker system) | UP0 |
| Recreational Sales Package (For information purposes only, YF7 is available for ordering through authorized CQACP manufacturers only) | YF7 |
| Seat Type: | |
| Bench Seat | A52 |
| 60/40 Reclining Split Bench Seat | AE7 |
| Reclining High Back Bucket Seat (includes center console) (Requires Silverado Decor) | A95 |
| Seat, Power Driver's Adjuster (Crew Cab and Ext. Cab models with YE9 Silverado only) | AG9 |
| Seat, Rear 3-Passenger Bench not desired (Extended Cab Only) | YG4 |
| Shock Absorbers, Front and Rear, Heavy-Duty | F51 |
| Gas 46mm Bilstein | FG5 |
| Skid Plate (4x4 only) | NZZ |
| Snow Plow Prep Package (Reg. Cab 4x4 only) | VYU |
| Springs, Front Heavy-Duty (4x4 only) .. | F60 |
| Tow Hooks, Front (4x2 only) | V76 |
| Trailering Special Equipment (includes weight distributing hitch platform) | Z82 |
| Transmissions: | |
| 5-Speed Manual w/Overdrive | MG5 |
| 5-Speed Manual with Deep Low and Overdrive, H.D. | MW3 |
| 4-Speed Electronic Automatic with Overdrive and torque converter clutch | M30 |
| 4-Speed Electronically Controlled Automatic w/Overdrive, H.D. | MT1 |
| Wheels: | |
| Rally Trim | P06 |
| Cast Aluminum (15" x 7") (K1500) | N90 |
| Cast Aluminum (16" x 7") (K1500) | PF4 |
| Chrome Wheels (15" x 7") (K1500) | N83 |
| Dual Rear (C/K3500 only) | R05 |
| Windows, Sliding Rear | A28 |
| Work Truck (See Order Guide for details) | X81 |

C/K PICKUP

TIRES

**KEY: ALS = ALL-SEASON SBR = STEEL-BELTED RADIAL PLY BW = BLACKWALL WL = WHITE LETTERED HWY = HIGHWAY
OOR = ON-OFF ROAD WOL = WHITE OUTLINE LETTERED**

| TIRE DESCRIPTION | | FRONT | REAR | SPARE |
|------------------|-------------|-------|------|-------|
| P235/75R15 | ALS/SBR/BW | XFL | YFL | ZFL |
| P235/75R15 | ALS/SBR/WL | XFN | YFN | ZFN |
| LT215/85R16D | HWY/SBR/BW | XYK | YYK | ZYK |
| LT215/85R16D | OOR/SBR/BW | XYL | YYL | ZYL |
| LT225/75R16C | ALS/SBR/BW | XHE | YHE | ZHE |
| LT225/75R16C | OOR/SBR/BW | XHJ | YHJ | ZHJ |
| LT225/75R16C | OOR/SBR/WOL | XHN | YHN | ZHN |
| LT225/75R16D | ALS/SBR/BW | XHP | YHP | ZHP |
| LT225/75R16D | OOR/SBR/BW | XHR | YHR | ZHR |
| LT245/75R16C | ALS/SBR/BW | XBK | YBK | ZBK |
| LT245/75R16C | OOR/SBR/BW | XBN | YBN | ZBN |
| LT245/75R16C | OOR/SBR/WOL | XBX | YBX | ZBX |
| LT245/75R16E | ALS/SBR/BW | XHH | YHH | ZHH |
| LT245/75R16E | OOR/SBR/BW | XGK | YGK | ZGK |
| LT265/75R16C | OOR/SBR/BW | XGL | YGL | ZGL |
| LT265/75R16C | OOR/SBR/WOL | XGM | YGM | ZGM |

DIMENSIONS

| MODEL | C/K 1500 PICKUP REG. CAB/EXT. CAB SPORTSIDE/FLEETSIDE | | | C/K 2500 PICKUP REG. CAB/EXT. CAB FLEETSIDE | | C/K 3500 PICKUP REG. CAB/EXT. CAB FLEETSIDE | | C/K 3500 PICKUP CREW CAB | | |
|---|---|------|------------------------|---|------------------------|---|------------------------|-----------------------------|-----------|------|
| | C/K 10703 C/K 10753 | | C/K 10903 C/K 10953 | C/K 20753 | C/K 20903 C/K 20953 | | C/K 30903 C/K 30953 | | C/K 30943 | |
| BODY CODE/ OPTION CODE | E62 | E63 | E63 | C5Z | C5Z | C6P | C6U & C6W | C7A (OPT.) | R14 | R05 |
| EXTERIOR DIMENSIONS | | | | | | | | | | |
| BODY | | | | | | | | | | |
| Wheelbase (in.) | | | | | | | | | | |
| Reg. Cab | 117.5 | | 131.5 | — | 131.5 | | 131.5 | 131.5 | 168.5 | |
| Ext. Cab | 141.5 | | 155.5 | 141.5 | 155.5 | | 155.5 | 155.5 | — | |
| Overall Length (in.) w/o Rear Bumper | | | | | | | | | | |
| Reg. Cab | 194.4 | | 213.1 | — | 213.1 | | 213.1 | | 250.1 | |
| Ext. Cab | 218.4 | | 237.1 | 218.4 | 237.1 | | 237.1 | | — | |
| Overall Height (in.) | | | | | | | | | | |
| Reg. Cab-2WD | | 70.4 | — | — | 73.0 | 75.5 | 75.5 | 71.7 | 68.3 | |
| Reg. Cab-4WD | | 73.8 | — | — | 74.3 | 75.8 | 75.8 | 73.8 | 70.2 | |
| Ext. Cab-2WD | | 70.4 | 73.0 | 73.0 | 73.0 | 75.5 | 75.5 | — | — | |
| Ext. Cab-4WD | | 73.8 | 74.3 | 74.3 | 74.3 | 75.8 | 75.8 | — | — | |
| Maximum Width (in.) | 77.1 | 76.8 | 76.8 | 76.8 | 76.8 | | 76.8 | 94.3 | 75.8 | 94.3 |
| Bumper to Axle (in.) | | | | | | | | | | |
| Front | 35.4 | | 35.4 | 35.4 | 35.4 | | 35.4 | | 35.4 | |
| Rear Overhang (w/o bumper) | 41.4 | | 46.1 | 41.4 | 46.1 | | 46.1 | | 46.1 | |
| Cab Axle (in.) | 42.0 | | 56.0 | 41.8 | 55.9 | | 55.9 | | 55.9 | |
| Cab to End of Frame (in.) | 78.7 | | 97.6 | 78.7 | 97.6 | | 97.6 | | 97.0 | |
| Bumper to Back of Cab (in.) | | | | | | | | | | |
| Reg. Cab | 111.0 | | — | — | 111.0 | | 111.0 | | 148.1 | |
| Ext. Cab | 135.0 | | 135.0 | 135.0 | 135.0 | | 135.0 | | — | |
| Ground to Top of Rear Load Floor (in.) | | | | | | | | | | |
| 2WD | 29.0 | | 31.6 | 31.6 | 31.6 | 34.0 | 34.0 | 34.0 | 34.0 | |
| 4WD | 32.4 | | 32.9 | 32.9 | 32.9 | 34.4 | 34.4 | 34.4 | 34.4 | |
| Ground Clearance (in.) | | | | | | | | | | |
| Front/Rear | | | | | | | | | | |
| Reg. Cab-2WD | 7.0/8.4 | | — | — | 7.8/7.8 | 8.4/8.1 | 7.9/7.6 | | 8.0/7.7 | |
| Reg. Cab-4WD | 8.6/9.0 | | — | — | 8.7/7.7 | 7.8/8.1 | 7.2/7.4 | | 8.0/7.7 | |
| Ext. Cab-2WD | 7.2/7.1 | | 7.9/7.7 | 7.9/7.7 | 7.9/7.7 | 8.4/8.0 | 7.9/7.6 | | — | |
| Ext. Cab-4WD | 9.2/9.6 | | 9.2/8.2 | 9.2/8.2 | 9.2/8.1 | 9.2/8.1 | 7.2/7.4 | | — | |
| CARGO BOX | | | | | | | | | | |
| Inside Length at Floor (in.) | 78.7 | | 97.6 | 78.6 | 97.6 | | 97.6 | | 97.6 | |
| Inside Width at Top (in.) Rear | 49.1 | 61.9 | 61.9 | 61.9 | 61.9 | | 61.9 | | 61.9 | |
| Inside Width at Floor (in.) | 49.1 | 64.4 | 64.4 | 64.4 | 64.4 | | 64.4 | | 64.4 | |
| Inside Width between Wheelhousings (in.) | 49.1 | | 49.1 | 49.1 | 49.1 | | 49.1 | | 49.1 | |
| Inside Height (in.) | 19.2 | | 19.2 | 19.2 | 19.2 | | 19.2 | | 19.2 | |
| Tailgate Width (in.) (Top) | 50.9 | 62.0 | 62.0 | 62.0 | 62.0 | | 62.0 | | 62.0 | |
| SIGN PANEL AREA (in.) | | | | | | | | | | |
| Reg. Cab | 17 x 48 3/4 | | 17 x 48 3/4 | 17 x 48 3/4 | 17 x 48 3/4 | | 17 x 48 3/4 | | — | |
| Ext. Cab | 17 x 77 1/2 | | 17 x 77 1/2 | 17 x 77 1/2 | 17 x 77 1/2 | | 17 x 77 1/2 | | — | |
| Crew Cab | — | | — | — | — | | — | | 17 x 85 | |

INTERIOR DIMENSIONS

| CAB | | | | | | |
|---|-----------|--|-----------|-----------|-----------|-----------|
| Headroom (in.) Front/Rear ¹ | 39.9/37.5 | | 39.9/37.5 | 39.9/37.5 | 39.9/37.5 | 39.9/40.8 |
| Legroom (in.) Front/Rear ² | 41.7/34.8 | | 41.7/34.8 | 41.7/34.8 | 41.7/34.8 | 41.7/37.9 |
| Shoulder Room (in.) Front/Rear ¹ | 65.4/67.6 | | 65.4/67.6 | 65.4/67.6 | 65.4/67.6 | 65.4/64.9 |
| Hip Room (in.) Front/Rear ¹ | 60.0/64.2 | | 60.0/64.2 | 60.0/64.2 | 60.0/64.2 | 60.0/59.3 |
| Extended Cab Cargo Volume (cu ft) w/o Rear Seat | 40.5 | | 40.5 | 40.5 | 40.5 | — |

¹ Rear dimensions apply to extended cab and crew cab models.

C/K CHASSIS-CAB INTRODUCTION

C/K CHASSIS-CAB

The C/K 3500 Chassis-Cabs are available in two trim levels: the "Cheyenne" (standard) and the "Silverado" (uplevel).

Changes on the C/K Chassis-Cab for 1995 include:

- New exterior colors
- New interior colors
- New right hand assist handle
- 5.7L V8 Engine enhancements
- 7.4L V8 Engine enhancements
- Standard air conditioning with Silverado trim
- Smoother shifting 4L80-E Automatic Transmission
- Standard 4-wheel Anti-Lock Braking System
- Standard Driver's side Air Bag under 8600 lb GVW
- Standard Electric Below-Eye-Line outside rearview mirrors with uplevel decor
- Standard 7-Lead Wiring Harness for trailering (20903 and 30903 models only)
- Standard Driver's Convenience Group: Speed Control and Tilt Steering, and Power Windows and Door Locks with uplevel decor
- Standard ETR AM/FM Stereo Radio with Seek-Scan with Digital Clock
- Optional ETR AM/FM Stereo Radio with seek-scan with auto tone control, digital clock, cassette deck, theft lock and speed compensated volume
- Optional ETR AM/FM Stereo Radio with seek-scan with automatic tone control, digital clock, cassette deck and/or compact disc with theft lock and speed-compensated volume
- New Instrument Panel design, includes two cupholders located in dash and standard tachometer
- New backlit power window and door lock switches
- Seat improvements: Seat design includes new contours and vinyl fabrics and all outboard seats have adjustable head restraints on front and rear seats. Up-level decor includes front power lumbar seats and wide-centered armrests.
- Standard Brake/Transmission Shift Interlock
- 2-Sided Key for simplified entry
- Standard heavy duty Radiator
- Redesigned center console with Reclining High Back Bucket Seats
- Optional Remote Keyless Entry feature

C/K CHASSIS-CAB

MODEL SELECTION SUMMARY

Use the chart below to choose the model that fits your customer's needs. Note that the Maximum Payload is based on curb weight. Also, the Maximum Gross Trailer Weight is based on vehicles that are properly equipped. See your 1995 Chevrolet Truck Order Guide for details.

| SERIES | MODEL NUMBER/ BODY CODE/ OPTION CODE | PASSENGER CAPACITY (STD./OPT.) | STANDARD ENGINE/ TRANS. | OPTIONAL ENGINE/ TRANS. | GVWR (LB) | GAWR (LB) FRONT/ REAR | MAXIMUM PAYLOAD (LB) BASED ON CURB WT. | MAX. GROSS TRAILER WT./ TONGUE LOAD (LB) PROPERLY EQUIPPED | MAX. GROSS TRAILER WT./ KINGPIN LOAD (LB) PROPERLY EQUIPPED |
|---|--|--------------------------------------|-------------------------------|--|--------------|--------------------------------|--|---|--|
| TWO-WHEEL DRIVE MODELS | | | | | | | | | |
| C2500 REGULAR CAB | | | | | | | | | |
| SINGLE REAR WHEELS | CC20903/ ZW9 | 3/2 | 5.7L V8/M5 | 5.7L V8/A4 7.4L V8/M5/A4 6.5L V8/M5/A4 | 8600 | 3600/6000 | 1000/1000 3500/1000 | 1000/1000 3500/1000 | 4000/2000 1300/2700 3500/2100 |
| C3500 REGULAR CAB | | | | | | | | | |
| SINGLE REAR WHEELS | CC30903/ ZW9 | 3/2 | 5.7L V8/M5 | 5.7L V8/A4 7.4L V8/M5/A4 6.5L V8/M5/A4 | 9000 | 3600/6084 | 1000/1000 3500/1000 | 9500/1000 10000/1000 3500/1000 | 9500/2300 13000/3200 3500/2100 |
| DUAL REAR WHEELS | CC30903/ ZW9/R05 | 3/2 | 5.7L V8/M5 | 5.7L V8/A4 7.4L V8/M5/A4 6.5L V8/M5/A4 | 10000 | 3600/7500 | 1000/1000 3500/1000 | 9500/1000 10000/1000 3500/1000 | 9500/2300 13000/3200 3500/2100 |
| DUAL REAR WHEELS "STRAIGHT FRAME" | CC31003/ ZW9 | 3/2 | 5.7L V8/M5 | 5.7L V8/A4 7.4L V8/M5/A4 6.5L V8/M5/A4 | 10000 | 3880/7500 | 1000/1000 3500/1000 | 9500/1000 10000/1000 3500/1000 | 9500/2300 13000/3200 3500/2100 |
| DUAL REAR WHEELS "STRAIGHT FRAME" HD | CC31003/ ZW9/F44 | 3/2 | 5.7L V8/M5 | 5.7L V8/A4 7.4L V8/M5/A4 6.5L V8/M5/A4 | 11000 | 4100/8250 | 1000/1000 3500/1000 | 9500/1000 10000/1000 3500/1000 | 9500/2300 13000/3200 3500/2100 |
| DUAL REAR WHEELS "STRAIGHT FRAME" LONG WHEELBASE | CC31403/ ZW9 | 3/2 | 5.7L V8/M5 | 5.7L V8/A4 7.4L V8/M5/A4 6.5L V8/M5/A4 | 10000 | 3880/7500 | 1000/1000 3500/1000 | 9500/1000 10000/1000 3500/1000 | 9500/2300 13000/3200 3500/2100 |
| DUAL REAR WHEELS "STRAIGHT FRAME" LONG WHEELBASE HD | CC31403/ ZW9/F44 | 3/2 | 5.7L V8/M5 | 5.7L V8/A4 7.4L V8/M5/A4 6.5L V8/M5/A4 | 11000 | 4100/8250 | 1000/1000 3500/1000 | 9500/1000 10000/1000 3500/1000 | 9500/2300 13000/3200 3500/2100 |
| C3500 HD REGULAR CAB | | | | | | | | | |
| DUAL REAR WHEELS | CC31003/ ZW9/C5B | 3/— | 5.7L V8/M5 | 7.4L V8/A4 6.5L V8/M5/A4 | 15000 | 5000/11000 | 1000/1000 10000/1000 | 10000/1000 10000/1000 | 12500/3100 10500/2600 |
| DUAL REAR WHEELS | CC31403/ ZW9/C5B | 3/— | 5.7L V8/M5 | 7.4L V8/A4 6.5L V8/M5/A4 | 15000 | 5000/11000 | 1000/1000 10000/1000 | 10000/1000 10000/1000 | 12500/3100 10500/2600 |
| DUAL REAR WHEELS | CC31803/ ZW9 | 3/— | 5.7L V8/M5 | 7.4L V8/A4 6.5L V8/M5/A4 | 15000 | 5000/11000 | 1000/1000 10000/1000 | 10000/1000 10000/1000 | 12500/3100 10500/2600 |
| C3500 CREW CAB | | | | | | | | | |
| SINGLE REAR WHEELS | CC30943/ ZW9 | 6/5 | 5.7L V8/M5 | 5.7L V8/A4 7.4L V8/M5/A4 6.5L V8/M5/A4 | 9000 | 4100/6084 | 1000/1000 3500/1000 | 9000/1000 10000/1000 3500/1000 | 9000/2200 13000/3100 3500/2000 |
| DUAL REAR WHEELS | CC30943/ ZW9/R05 | 6/5 | 5.7L V8/M5 | 5.7L V8/A4 7.4L V8/M5/A4 6.5L V8/M5/A4 | 10000 | 4100/7500 | 1000/1000 3500/1000 | 9000/1000 10000/1000 3500/1000 | 9000/2200 13000/3100 3500/2000 |

C/K CHASSIS-CAB

| SERIES | MODEL NUMBER/ BODY CODE/ OPTION CODE | PASSENGER CAPACITY (STD./OPT.) | STANDARD ENGINE/ TRANS. | OPTIONAL ENGINE/ TRANS. | GVWR (LB) | GAWR (LB) FRONT/ REAR | MAXIMUM PAYLOAD (LB) BASED ON CURB WT. | MAX. GROSS TRAILER WT./ TONGUE LOAD (LB) PROPERLY EQUIPPED | MAX. GROSS TRAILER WT./ KINGPIN LOAD (LB) PROPERLY EQUIPPED |
|--|--|--------------------------------|----------------------------|--|-----------|--------------------------|--|---|--|
| FOUR-WHEEL DRIVE MODELS | | | | | | | | | |
| K2500 REGULAR CAB | | | | | | | | | |
| SINGLE REAR WHEELS | CK20903/ ZW9 | 3/2 | 5.7L V8/M5 | 5.7L V8/A4 7.4L V8/M5/A4 6.5L V8/M5/A4 | 8600 | 4250/8000 | 10000/10000 8000/950 | 7500/1800 10000/1000 8000/950 | 7500/1800 12500/3100 8000/2000 |
| K3500 REGULAR CAB | | | | | | | | | |
| SINGLE REAR WHEELS | CK30903/ ZW9 | 3/2 | 5.7L V8/M5 | 5.7L V8/A4 7.4L V8/M5/A4 6.5L V8/M5/A4 | 9200 | 4500/8084 | 10000/10000 8000/950 | 7500/900 10000/1000 8000/950 | 7500/1800 12500/3100 8000/2000 |
| DUAL REAR WHEELS | CK30903/ ZW9/R05 | 3/2 | 5.7L V8/M5 | 5.7L V8/A4 7.4L V8/M5/A4 6.5L V8/M5/A4 | 10000 | 4500/7500 | 10000/10000 8000/950 | 7500/900 10000/1000 8000/950 | 7500/1800 12500/3100 8000/2000 |
| DUAL REAR WHEELS "STRAIGHT FRAME" | CK31003/ ZW9 | 3/2 | 5.7L V8/M5 | 5.7L V8/A4 7.4L V8/M5/A4 6.5L V8/M5/A4 | 10000 | 4500/7500 | 10000/10000 8000/950 | 7500/900 10000/1000 8000/950 | 7500/1800 12500/3100 8000/2000 |
| DUAL REAR WHEELS "STRAIGHT FRAME" HD | CK31003/ ZW9/F44 | 3/2 | 5.7L V8/M5 | 5.7L V8/A4 7.4L V8/M5/A4 6.5L V8/M5/A4 | 12000 | 4500/8600 | 10000/10000 8000/950 | 7500/900 10000/1000 8000/950 | 7500/1800 12500/3100 8000/2000 |
| DUAL REAR WHEELS "STRAIGHT FRAME" LONG WHEELBASE | CK31403/ ZW9 | 3/2 | 5.7L V8/M5 | 5.7L V8/A4 7.4L V8/M5/A4 6.5L V8/M5/A4 | 10000 | 4500/7500 | 10000/10000 8000/950 | 7500/900 10000/1000 8000/950 | 7500/1800 12500/3100 8000/2000 |
| DUAL REAR WHEELS "STRAIGHT FRAME" LONG WHEELBASE HD | CK31403/ ZW9/F44 | 3/2 | 5.7L V8/M5 | 5.7L V8/A4 7.4L V8/M5/A4 6.5L V8/M5/A4 | 12000 | 4500/8600 | 10000/10000 8000/950 | 7500/900 10000/1000 8000/950 | 7500/1800 12500/3100 8000/2000 |
| K3500 CREW CAB | | | | | | | | | |
| SINGLE REAR WHEELS | CK30943/ ZW9 | 6/5 | 5.7L V8/M5 | 5.7L V8/A4 7.4L V8/M5/A4 6.5L V8/M5/A4 | 9200 | 4500/8084 | 10000/10000 8000/950 | 8500/1000 10000/1000 8000/950 | 8500/2100 12500/3100 8000/2000 |
| DUAL REAR WHEELS | CK30943/ ZW9/R05 | 6/5 | 5.7L V8/M5 | 5.7L V8/A4 7.4L V8/M5/A4 6.5L V8/M5/A4 | 10000 | 4500/7500 | 10000/10000 8000/950 | 8500/1000 10000/1000 8000/950 | 8500/2100 12500/3100 8000/2000 |

C/K CHASSIS-CAB

POWERTRAINS

Chevrolet offers a variety of engines, transmissions and rear axle ratios for the C/K Chassis-Cab. The following charts detail basic engine, transmission and axle specifications. See your 1995 Chevrolet Truck Order Guide for details.

| ENGINES | | | |
|---|------------|------------|----------------------|
| | 5.7L V8 HD | 7.4L V8 HD | 6.5L V8 TURBO DIESEL |
| Order Code | L05 | L19 | L65 |
| Availability | All Models | All Models | All Models |
| SAE Net Horsepower @ rpm | @ 4000 | 230 @ 3600 | 190 @ 3400 |
| SAE Net Torque lb ft @ rpm | @ 2400 | 385 @ 1600 | 385 @ 1700 |
| Fuel System | EFI | EFI | TIDI |
| Clutch Size (in.) | 12 | 12 | 12 |
| Standard Battery Cold Cranking Amps @ 0°F | 600 | 600 | 2 @ 600 each |
| Standard Alternator Maximum Capacity (Amps) | 100 | 100 | 100 |

| TRANSMISSIONS | | | | | | |
|-------------------------------------|--|---------------------|------------------|---|---------------------|------------------|
| Order Code | MANUAL 5-SPEED W/OD HEAVY-DUTY (NP4500) | | | ELECTRONICALLY CONTROLLED AUTOMATIC 4-SPEED W/OD AND TORQUE CONVERTER CLUTCH, HD (HM4L80-E) | | |
| | MW3 | | | MT1 | | |
| Availability | All | | | All | | |
| Engine Application/ (Order Code) | 5.7L V8 HD (L05) | 7.4L V8 HD (L19) | 6.5L V8 (L65) | 5.7L V8 HD (L05) | 7.4L V8 HD (L19) | 6.5L V8 (L65) |
| Synchronized Speeds | 1/2/3/4/5 | | | — | | |
| Gear Ratios | | | | | | |
| First | 5.61 | | | 2.48 | | |
| Second | 3.04 | | | 1.48 | | |
| Third | 1.67 | | | 1.00 | | |
| Fourth | 1.00 | | | 0.75 | | |
| Fifth | 0.75 | | | — | | |
| Reverse | 5.61 | | | 2.08 | | |
| Power Take-Off | Yes | | | No | | |

| REAR AXLES | | | | | | | | | | | | | | | |
|----------------------------|-----------------------|------|------|------|--------------------------|------|------|--------------------------|------|------|--------------------------------|------|------|-------------------------|------|
| Make | GM | | | | GM | | | GM | | | GM | | | Dana | |
| Capacity (lb) | 6000 Semi-Floating | | | | 6084 Full-Floating | | | 7500 Full Floating | | | C3500/K: 8600 Full-Floating | | | 11,000 Full-Floating | |
| Availability | C/K20903 | | | | C/K30903- 30943 W/R04 | | | C/K30903- 30943 W/R05 | | | C/K31003-31403 | | | C3500 HD | |
| Pinion & Ring Gear Type | Hypoid | | | | Hypoid | | | Hypoid | | | Hypoid | | | Hypoid | |
| Axle Ratio Code | GU6 | GT4 | GT5 | HC4 | GT4 | GT5 | HC4 | GT4 | GT5 | HC4 | GT4 | GT5 | HC4 | GC9 | HC7 |
| Ratio | 3.42 | 3.73 | 4.10 | 4.56 | 3.73 | 4.10 | 4.56 | 3.73 | 4.10 | 4.56 | 3.73 | 4.10 | 4.56 | 4.33 | 5.13 |
| Pinion Teeth | 12 | 11 | 10 | 9 | 11 | 10 | 9 | 11 | 10 | 9 | 11 | 10 | 9 | 9 | 7 |
| Ring Gear Teeth | 41 | 41 | 41 | 41 | 41 | 41 | 41 | 41 | 41 | 41 | 41 | 41 | 41 | 37 | 37 |
| Ring Gear Diameter (in.) | 9.5 | 9.5 | 9.5 | 9.5 | 10.5 | 10.5 | 10.5 | 10.5 | 10.5 | 10.5 | 10.5 | 10.5 | 10.5 | 11.5 | 11.5 |

Note: Axle Ratio depends on model, powertrain and emissions selected. See your 1995 Chevrolet Truck Order Guide.

| FRONT AXLE (K MODELS) | | | | | | | |
|----------------------------|----------------------------|------|------|------|----------------------------|------|------|
| Make | GM | | | | GM | | |
| Capacity (lb) | 4250 | | | | 4500 | | |
| Availability | K20903-K30903 | | | | K31003-31403-30943 | | |
| Pinion and Ring Gear Type | Hypoid | | | | Hypoid | | |
| Ratio | 3.42 | 3.73 | 4.10 | 4.56 | 3.73 | 4.10 | 4.56 |
| Pinion Teeth | 12 | 11 | 10 | 9 | 11 | 10 | 9 |
| Ring Gear Teeth | 41 | 41 | 41 | 41 | 41 | 41 | 41 |
| Ring Gear Diameter (in.) | 8.25 | 8.25 | 8.25 | 8.25 | 9.25 | 9.25 | 9.25 |
| Differential Type | 2-Pinion Tapered Roller | | | | 2-Pinion Tapered Roller | | |
| Bearings, Type | | | | | | | |
| Lubricant Capacity (pints) | 4.5 | | | | 6 | | |

Note: Axle Ratio depends on model, powertrain and emissions selected. See your 1995 Chevrolet Truck Order Guide.

C/K CHASSIS-CAB

TRIM LEVELS

Chevrolet offers all Chassis-Cabs in two trim levels, "Cheyenne" and "Silverado." The following chart details major standard features. See your 1995 Chevrolet Truck Order Guide for more details.

| CHASSIS EQUIPMENT | | | |
|-------------------------------------|---|---------------------|-----------------|
| KEY: ■ = STANDARD, — = NOT INCLUDED | | CHEYENNE (STANDARD) | SILVERADO (YE9) |
| BRAKES | Power-assisted, front disc, rear drum; self-adjusting. Four-wheel anti-lock system. Includes Brake/Transmission Interlock. | ■ | ■ |
| EXHAUST | Single. | ■ | ■ |
| FRAME | All-welded ladder-type, channel design and boxed front-end section. Section modulus (cu in.): C/K20903 - 30903: 2WD- cu in.; 4WD- cu in. C/K31003 - 31403: 2WD-6.47 cu in.; 4WD-6.76 cu in. 3500HD: 31003, 31403- 31803- 9.75 cu in. Crew Cab: 7.49 cu in. | ■ | ■ |
| FUEL TANK | 34.0 gallon (approx.) capacity on C/K 20903, 30903 and Crew Cab models. 22.0 gallon (approx.) capacity on C/K 31003, 31403 and 3500 HD. | ■ | ■ |
| REAR AXLE | Full-floating on C/K 3500 models. Semi-floating on C/K 20903. | ■ | ■ |
| SHOCK ABSORBERS | Front: 35 mm; Rear: 32 mm (35 mm on C3500 HD). | ■ | ■ |
| STABILIZER BAR | 4x2: Front 1.25 inch. 4x4: Front 1.18 inch. | ■ | ■ |
| STEERING | Integral Power. | ■ | ■ |
| SUSPENSION, FRONT | 4x2: Independent with computer-selected coil springs (I-beam/leaf springs on C3500 HD). 4x4: Independent with computer-selected torsion bars. | ■ | ■ |
| SUSPENSION, REAR | Semi-elliptic two-stage multi-leaf springs on C/K 20903 models. Semi-elliptic two-stage multi-leaf springs main/auxiliary on C/K 3500 models. (No auxiliary on C3500 HD). | ■ | ■ |
| TOW HOOKS | Two front on 4x4s. | ■ | ■ |
| EXTERIOR EQUIPMENT | | | |
| FRONT BUMPER | Bright appearance (w/black rub strip on Crew Cab). Bright appearance w/black rub strip and bright trim and bright rear appearance with step (N/A 3500 HD). | ■ | — |
| GLASS | Solar-Ray™ tinted glass. | ■ | ■ |
| GRILLE | Molded plastic painted argent with argent air intake areas. Deluxe front appearance package with dark argent grille and bright trim with argent air intake areas. | ■ | — |
| HEADLAMPS | Single rectangular halogen. Composite halogen. | ■ | — |
| HORN | Single electric low-note. Dual low- and high-note (standard C3500 HD). | ■ | — |
| INSULATION | Hood and cab-to-fender. | — | ■ |
| LAMPS | Center high-mounted stop lamp/cargo lamp (N/A on 3500HD). Five amber roof marker lamps on dual rear wheel models only. | ■ | ■ |
| MIRRORS | RH and LH below-eye-line type, painted black. Head size 8.5" x 5.0". RH and LH electric below-eye-line outside rearview, painted black. Head size 8.5" x 5.0" | ■ | — |
| SPARE TIRE AND WHEEL | Full-size (20903 and 30903 models only). | ■ | ■ |
| SPARE TIRE CARRIER | Winch-type carrier mounted under frame at rear (20903 and 30903 models only). | ■ | ■ |
| TIRES | Four on single rear wheel models and six on dual rear wheel models. C/K 20903, C/K 30903 and C/K 30943 w/R04: LT245/75R16E. C/K 3500 w/R05 (except C/K 30903): LT225/75R16 C/D. 3500 HD: 225/70R 19.5F (See Order Guide for details). | ■ | ■ |
| WHEELS | Silver painted steel wheels with black hub ornament. C/K 20903, C/K 30903 and C/K 30943 w/R04: 16.0" x 6.5". C/K 3500 w/R05 (except C/K 30903): 16.0" x 6.0". Crew Cab: 16.0" x 6.5"; w/R05: 16.0" x 6.0" (rear only). 3500 HD: 19.5" x 6.0". Rally wheel trim. Crew Cab: Rally trim. | ■ | — |
| WHEEL OPENING FLARES | Front. | ■ | ■ |
| WIRING | 7-lead wiring harness for trailing purposes (20903 and 30903 models only). | ■ | ■ |

C/K CHASSIS-CAB

| INTERIOR EQUIPMENT | | CHEYENNE (STANDARD) | SILVERADO (YE9) |
|---|---|------------------------|--------------------|
| KEY: ■ = Standard, — = Not Included | | | |
| AIR CONDITIONING | Front. | — | ■ |
| ARMRESTS | RH and LH padded integral with door panels. | ■ | ■ |
| CAB BACK PANELS | Color-keyed carpet. | — | ■ |
| CIGARETTE LIGHTER | Located on instrument panel. Includes ashtray light and two auxiliary power outlets. | ■ | ■ |
| CUPHOLDERS | Two located in dash. | ■ | ■ |
| DOME LAMP | Switch in LH and RH door jamb (two lamps with front door-actuated switches on Crew Cab). (Crew Cab includes switches in all doors.) | ■ — | ■ ■ |
| DOOR TRIM | Vinyl color-keyed door trim panels with padded insert armrest, large easily accessible door handles, and door reflectors. Color-keyed soft vinyl with cloth insert, map pockets with carpet trim, large easily accessible door handles, door reflectors with light. NOTE: Scotchgard™ protection on all cloth panel and trim. | ■ — | — ■ |
| DOOR PILLAR ROOF SIDE PANELS | Color-keyed. | — | ■ |
| DOOR SILL PLATE | Color-keyed. | ■ | ■ |
| DOORS | Side door guard beams. | ■ | ■ |
| DRIVER'S CONVENIENCE GROUP | Speed Control and Tilt Steering Wheel. Power windows and door locks. | — | ■ |
| FLOOR COVERING | Embossed black rubber mat (Crew Cab only). Embossed color-keyed rubber mat (03 models). Color-keyed carpeting with removable color-keyed rubber floor mats. NOTE: Scotchgard™ protection on all cloth floor coverings. | ■ ■ — | — — ■ |
| GAGES | Including fuel level, odometer, oil pressure, speedometer, telltale lights, engine temperature, voltmeter and tachometer. | ■ | ■ |
| GLOVE BOX | Latched door. | ■ | ■ |
| HEADLINER | Cloth with matching retainer moldings, color-keyed. | ■ | ■ |
| HEADLAMP WARNING BUZZER | Headlamps on. | ■ | ■ |
| HEATER | Deluxe heater and defogger with side window defogger. | ■ | ■ |
| INSULATION | Provided on dash panel, cowl top and sides, and doors. Extra insulation is provided with diesel engines. Plus insulation on headliners. Plus insulation on Regular Cab Panels. | ■ — — | ■ ■ ■ |
| MIRRORS | 10-inch rearview. | ■ | ■ |
| RADIOS | ETR AM/FM stereo radio with seek-scan and digital clock. Includes two 6" diameter front door mounted speakers and two 4" x 6" rear mounted speakers located at rear above door (4 speakers in all). ETR AM/FM stereo radio with seek-scan, digital clock, cassette deck, includes two 6" diameter front door mounted speakers, and two 4" x 6" rear mounted speakers located at rear above door (4 speakers in all). | ■ — | — ■ |
| SEATS | Regular Cab: Front 3-passenger bench with head restraints and folding backrest. Crew Cab: Front 3-passenger bench with head restraints and folding backrest and rear 3-passenger bench with folding backrest. NOTE: Scotchgard™ Protection on all cloth seats and cloth door trim panels. | ■ ■ | — ■ |
| STEERING WHEEL | Simulated leather. Leather. | ■ — | — ■ |
| STOWAGE TRAY | Full width behind seat on floor (N/A 3500HD). | — | ■ |

C/K CHASSIS-CAB

| INTERIOR EQUIPMENT (CONT.) | | CHEYENNE (STANDARD) | SILVERADO (YE9) |
|--|---|------------------------|--------------------|
| KEY: ■ = Standard, — = Not Included | | | |
| SUNSHADES | Color-keyed RH and LH padded with cloth covering, storage strap on LH unit and visor mirror on RH unit. Crew Cab: Padded, color-keyed RH and LH sunshades with extenders and illuminated mirrors. LH sunshade has storage strap. | ■ — | ■ ■ |
| TOOLS | Mechanical jack and wheel wrench located behind front seat or on rear compartment floor (N/A 3500HD). | ■ | ■ |
| WINDSHIELD WIPERS | Intermittent. | ■ | ■ |

PREFERRED EQUIPMENT GROUPS

Preferred Equipment Groups (PEGs) are convenient option packages that can save your customers money. They would pay appreciably more by buying all the options in a Preferred Equipment Group as individual options. (Savings based on a comparison of Manufacturer's Suggested Retail Price of option packages versus MSRP of individual options purchased separately.) See your 1995 Chevrolet Truck Order Guide and Vehicle Price Schedule for specific information and prices.

OPTIONS

These options can be ordered individually in addition to the Preferred Equipment Groups if not already included. See your 1995 Chevrolet Truck Order Guide for specific availability and restrictions. The Option Code is listed in **bold type**.

| | |
|---|------------|
| Air Conditioning | C60 |
| Appearance Package includes Chrome Grille, Composite Alloy Wheel Covers and Dual Horns: | V22 |
| Axles, Rear | |
| 3.42 | GU6 |
| 3.73 | GT4 |
| 4.10 | GT5 |
| 4.56 | HC4 |
| 4.63 | GK9 |
| 5.13 | HC7 |
| Axle, Rear Locking Differential (N/A 3500 HD) | G80 |
| Axle, Rear Wide Track, 92.2-in. wide (C/K 31003, 31403 only) | GTY |
| Battery, Heavy-Duty Auxiliary (540 CCA) (N/A 3500 HD or diesel engine) | TP2 |
| Chassis, Heavy-Duty | F44 |
| Cold Climate Package (includes Engine Block Heater, Antifreeze protection to -32°F and special insulation) | V10 |
| Convenience Group: Tilt-Wheel™ Steering and Electronic Speed Control | ZQ3 |
| Cooling System, Heavy Duty Transmission (N/A 3500 HD) | KNP |
| Defogger, Rear Window (Crew Cab only) | C49 |
| Emissions: | |
| Federal | FE9 |
| Massachusetts | NG1 |
| California | YF5 |
| Federal Emissions Override | NC7 |
| Cal./Mass. Emissions Override | NB8 |
| Engines (see Powertrains) | |
| 5.7L V8 | L05 |
| 7.4L V8 | L19 |
| 6.5L V8 Turbo Diesel | L65 |
| Alternative Fuel | KL5 |
| Floor Covering, Full-Floor, Rubber, Color-Keyed (Reqs. Silverado Decor) | BG9 |

| | |
|---|------------|
| Glass, Solar-Ray™ Deep Tinted, sides and rear (Crew Cab only) | AJ1 |
| GVWR: | |
| 8600 lb | C6P |
| 9200 lbs | C6U |
| 10,000 lb | C6W |
| 11,000 lb | C7A |
| 12,000 lb | C7E |
| 15,000 lb | C7L |
| 15,000 lb | C5B |
| Keyless Entry, Remote (Requires Silverado Decor) | AU0 |
| Locks: Power door | AU3 |
| Lamps, Roof Marker (included w/ Dual Rear Wheels R05) | U01 |
| Lenses, Plate Bracket | TK3 |
| Marketing Packages See Order Guide for details. | |
| Convenience Package | R9A |
| Appearance Package | YF2 |
| Mirrors, Exterior Below-Eye-Line Type (LH and RH stainless steel. Mirror head: 9.0" x 6.5") (N/A on Crew Cab) (N/A C3500 HD) | D45 |
| Mirrors, Exterior Camper Type (LH and RH stainless steel. Mirror head: 7.5" x 10.5") | DF2 |
| Mirrors, Exterior West Coast Type (LH and RH stainless steel. Mirror head: 7.0" x 16.0") | DG5 |
| Paint, Exterior: Solid | ZY1 |
| Radio Equipment: | |
| Radio Delete (N/A with Silverado Decor) | UL5 |
| ETR AM/FM Stereo Radio w/Seek-Scan, Stereo Cassette, Digital Clock | UM6 |
| ETR AM/FM Stereo Radio with Seek- Scan with Automatic Tone Control, Stereo Cassette Deck, Digital Clock, Theft Lock and Speed-Compensated Volume (with Silverado Decor includes an enhanced performance speaker system)(N/A with 3500 HD) | ULO |

| | |
|---|------------|
| ETR AM/FM Stereo Radio with Seek- Scan with Automatic Tone Control, Compact Disc Player, Digital Clock, Theft Lock and Speed-Compensated Volume with Silverado Decor includes an enhanced performance speaker system)(N/A with 3500 HD) | UN0 |
| ETR AM/FM Stereo Radio with Seek- Scan with Automatic Tone Control, Compact Disc Player, Cassette Deck, Digital Clock, Theft Lock and Speed- Compensated Volume with Silverado Decor includes an enhanced performance speaker system) (N/A with 3500 HD) | UP0 |
| Seat Type: | |
| Bench Seat | A52 |
| 60/40 Reclining Split Bench Seat (N/A 3500HD) | AE7 |
| Reclining High Back Bucket Seat (includes center console) (N/A with 3500HD) | A95 |
| Seat, Power Driver's Adjuster (Crew Cab model with Silverado Decor only) | AG9 |
| Skid Plate (4WD models only) | NZZ |
| Snow Plow Prep Package (4WD Reg. Cab only) | VYU |
| Springs (torsion bars), Front Heavy-Duty (4x4 only) | F60 |
| Stabilizer Shaft, Rear (C/K 31003, 31403 only) | F61 |
| Tank, Fuel (rear-mounted 31 gal. (approx.) Capacity (C/K 31003- 31403 and C31803 only) | NK7 |
| Tow Hooks, Front (4 x 2 only) | V76 |
| Transmissions: | |
| 5-Speed Manual with Deep Low Overdrive, HD | MW3 |
| Electronically-Controlled 4-Speed Automatic, Overdrive, HD | MT1 |
| Wheels: | |
| Rally Trim (N/A C3500 HD) | P06 |
| Dual Rear | R05 |
| Single Rear | R04 |
| Windows, Sliding Rear | A28 |

C/K CHASSIS-CAB

| TIRES | | | | |
|--|-------|------|-------|--|
| KEY: ALS = ALL-SEASON SBR = STEEL-BELTED RADIAL PLY BW = BLACKWALL HWY = HIGHWAY OOR = ON-OFF ROAD | | | | |
| TIRE DESCRIPTION | FRONT | REAR | SPARE | |
| LT215/85R16D | XYK | YYK | ZYK | |
| LT215/85R16D | XYL | YYL | ZYL | |
| LT225/75R16C | XHE | — | — | |
| LT225/75R16D | XHP | YHP | ZHP | |
| LT225/75R16D | XHR | YHR | ZHR | |
| LT245/75R16E | XHH | YHH | ZHH | |
| LT245/75R16E | XGK | YGK | ZGK | |
| 225/70R 19.5F (C3500 HD) | XTN | YTN | ZTN | |

DIMENSIONS

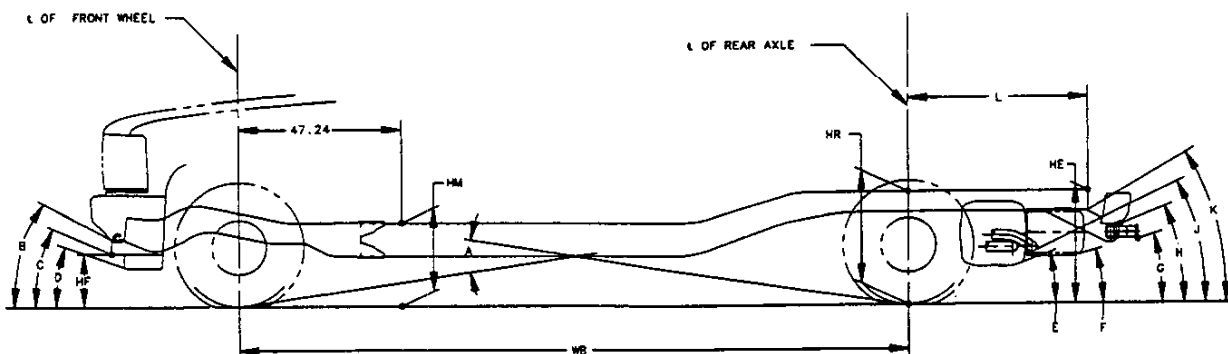
| MODEL | C/K 2500 CHASSIS-CAB REGULAR CAB | C/K 3500 CHASSIS-CAB REGULAR CAB | | C/K 3500 STRAIGHT FRAME CHASSIS-CAB | | C 3500 HD CHASSIS-CAB | | CREW CAB CHASSIS-CAB | | |
|--------------|----------------------------------|----------------------------------|-----------------|-------------------------------------|---------------|-----------------------|-----------------|----------------------|-------------------|-------------------|
| MODEL NUMBER | CC20903/ZW9 | CC30903/ZW9/R04 | CC30903/ZW9/R05 | CC/K31003/ZW9 | CC/K31403/ZW9 | CC/31003/ZW9/C5B | CC31403/ZW9/C5B | CC31803/ZW9 | CC/K30943/ZW9/R04 | CC/K30943/ZW9/R05 |

EXTERIOR DIMENSIONS

| | | | | | | | | | | |
|-------------------------------------|------------|------------|------------|------------|------------|------------|------------|------------|---------|---------|
| BODY | | | | | | | | | | |
| Wheelbase (in.) | 131.5 | 131.5 | 131.5 | 135.5 | 159.5 | 135.5 | 159.5 | 183.5 | 168.5 | 168.5 |
| Overall Length (in.) | 208.6 | 208.6 | 208.6 | 221.9 | 245.9 | 224.5 | 248.5 | 272.6 | 250.1 | 250.1 |
| Overall Height (in.) | | | | | | | | | | |
| 2WD | 75.5 | 75.5 | 75.8 | 73.0 | 72.7 | 75.7 | 75.7 | 75.7 | 71.7 | 68.3 |
| 4WD | 75.8 | 75.8 | 76.3 | 73.3 | 73.0 | — | — | — | 73.8 | 70.2 |
| Maximum Width (in.) | 76.4 | 76.4 | 92.2 | 84.2 | 84.2 | 85.8 | 85.8 | 85.8 | 75.8 | 94.3 |
| Bumper to Axle Frt (in.) | 35.4 | 35.4 | 35.4 | 35.4 | 35.4 | 37.9 | 37.9 | 37.9 | 35.4 | 35.4 |
| Rear Axle to End of Frame (in.) | 41.7 | 41.7 | 41.7 | 51.0 | 51.0 | 51.0 | 51.0 | 51.0 | 46.1 | 46.1 |
| Cab Axle (in.) | 55.9 | 55.9 | 55.9 | 60.0 | 84.0 | 60.0 | 84.0 | 108.0 | 35.9 | 55.9 |
| Cab to End of Frame (in.) | 97.6 | 97.6 | 97.6 | 111.0 | 135.0 | 111.0 | 135.0 | 159.0 | 97.0 | 97.0 |
| Bumper to Back of Cab (in.) | 111.0 | 111.0 | 111.0 | 111.0 | 111.0 | 113.6 | 113.6 | 113.6 | 148.1 | 148.1 |
| Ground to Top of Frame (in.) | | | | | | | | | | |
| 2WD | 31.43 | 31.43 | 31.69 | 31.9 | 31.9 | 30.3 | 30.3 | 30.3 | 29.9 | 29.2 |
| 4WD | 31.79 | 31.79 | 31.82 | 31.9 | 31.9 | — | — | — | 29.9 | 29.2 |
| Ground Clearance (in.) | | | | | | | | | | |
| Front-2WD | 8.4 | 8.4 | 7.9 | 7.8 | 7.8 | 10.8 | 10.8 | 10.8 | 8.0 | 8.0 |
| Front-4WD | 8.7 | 8.7 | 7.8 | 7.6 | 7.6 | — | — | — | 8.0 | 8.0 |
| Rear-2WD | 8.1 | 8.1 | 7.6 | 7.6 | 7.6 | 8.0 | 8.0 | 8.0 | 7.7 | 7.7 |
| Rear-4WD | 7.7 | 7.7 | 8.1 | 7.4 | 7.4 | — | — | — | 7.7 | 7.7 |
| Frame Width (in.) | 45.3 | 45.3 | 45.3 | 34.0 | 34.0 | 34.0 | 34.0 | 34.0 | 45.3 | 45.3 |
| Turning Diameter Curb-to-Curb (ft.) | | | | | | | | | | |
| 2WD | 45.7 | 45.7 | 45.7 | 46.7 | 52.9 | 45.97 | 52.94 | 59.8 | 56.7 | 56.8 |
| 4WD | 45.1 | 45.1 | 45.1 | 47.6 | 54.8 | — | — | — | 57.6 | 57.6 |
| SIGN PANEL AREA (in.) | 17 X 48.75 | 17 X 48.75 | 17 X 48.75 | 17 X 48.75 | 17 X 48.75 | 17 X 48.75 | 17 X 48.75 | 17 X 48.75 | 17 X 85 | 17 X 85 |

INTERIOR DIMENSIONS

| | | | | | | | | | | |
|---------------------------|------|------|------|------|------|------|------|------|------|------|
| CAB | | | | | | | | | | |
| Headroom (in.) Front | 39.9 | 39.9 | 39.9 | 39.9 | 39.9 | 39.9 | 39.9 | 39.9 | 39.9 | 39.9 |
| Rear | — | — | — | — | — | — | — | — | 40.8 | 40.8 |
| Legroom (in.) Front | 41.7 | 41.7 | 41.7 | 41.7 | 41.7 | 41.7 | 41.7 | 41.7 | 41.7 | 41.7 |
| Rear | — | — | — | — | — | — | — | — | 37.9 | 37.9 |
| Shoulder Room (in.) Front | 65.4 | 65.4 | 65.4 | 65.4 | 65.4 | 65.4 | 65.4 | 65.4 | 65.4 | 65.4 |
| Rear | — | — | — | — | — | — | — | — | 64.9 | 64.9 |
| Hip Room (in.) Front | 60.0 | 60.0 | 60.0 | 60.0 | 60.0 | 60.0 | 60.0 | 60.0 | 60.0 | 60.0 |
| Rear | — | — | — | — | — | — | — | — | 59.3 | 59.3 |



LETTER DESIGNATOR DEFINITIONS

FRAME HEIGHTS AND LENGTHS

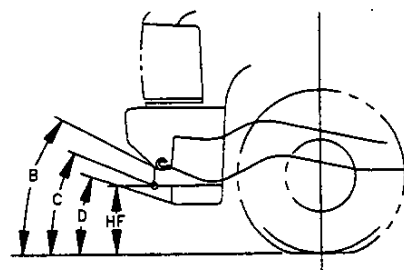
- L** Centerline of axle to end of frame
- HF** Bottom of bumper to ground
- HM** Inside top of frame to ground
- HR** Top of frame to ground at centerline of rear axle
- HE** Top of frame to ground

ANGLE(S)

- A** Ramp breakover

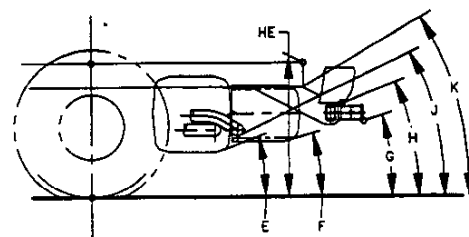
ANGLE(S) (APPROACH)

- B** Tow hooks
- C** Front bumper
- D** Spoiler



ANGLE(S) (DEPARTURE)

- E** Fuel tank
- F** Spare tire
- G** Platform hitch
- H** Rear bumper
- J** Exhaust
- K** Chassis



Note: All weights are in pounds and all dimensions are in inches.

Chassis Frame Height and Ramp Angle Data

C 10000 Models

| C10703 117.5" Wheelbase | | Frame Heights at Base Model Curb Weight | | | | Frame Heights and Angular Dimensions are shown at Maximum GAWR Front and Rear | | | | | | | | | | | | | | | | | | |
|--------------------------------|---|---|------|------|------|---|------|------|------|------|------|------|------|------|----|---|----|----|---|----|----|----|----|----|
| GVW/Tire | L | Base Model Curb Weight | | | GAWR | | HF | HM | HR | HE | HF | HM | HR | HE | A | B | C | D | E | F | G | H | J | K |
| | | Frnt | Rr | Ttl | Frnt | Rr | | | | | | | | | | | | | | | | | | |
| 6100 P235/75R15 | | 2212 | 1563 | 3775 | 3150 | 3686 | 15.3 | 19.0 | 27.5 | 28.3 | 12.8 | 15.4 | 22.8 | 23.1 | 18 | | 25 | 16 | | 15 | 13 | 19 | 19 | 29 |

| C10753 141.5" Wheelbase | | Frame Heights at Base Model Curb Weight | | | | Frame Heights and Angular Dimensions are shown at Maximum GAWR Front and Rear | | | | | | | | | | | | | | | | | | |
|--------------------------------|------|---|------|------|------|---|------|------|------|------|------|------|------|------|----|---|----|----|---|----|----|----|----|----|
| GVW/Tire | L | Base Model Curb Weight | | | GAWR | | HF | HM | HR | HE | HF | HM | HR | HE | A | B | C | D | E | F | G | H | J | K |
| | | Frnt | Rr | Ttl | Frnt | Rr | | | | | | | | | | | | | | | | | | |
| 6200 P235/75R15 | 36.8 | 2386 | 1682 | 4068 | 3500 | 3686 | 15.0 | 18.6 | 27.3 | 28.1 | 12.7 | 15.3 | 23.0 | 23.3 | 15 | | 25 | 16 | | 14 | 13 | 17 | 19 | 30 |

| C10903 131.5" Wheelbase | | Frame Heights at Base Model Curb Weight | | | | Frame Heights and Angular Dimensions are shown at Maximum GAWR Front and Rear | | | | | | | | | | | | | | | | | | |
|--------------------------------|------|---|------|------|------|---|------|------|------|------|------|------|------|------|----|---|----|----|---|----|----|----|----|----|
| GVW/Tire | L | Base Model Curb Weight | | | GAWR | | HF | HM | HR | HE | HF | HM | HR | HE | A | B | C | D | E | F | G | H | J | K |
| | | Frnt | Rr | Ttl | Frnt | Rr | | | | | | | | | | | | | | | | | | |
| 6100 P235/75R15 | 41.7 | 2287 | 1629 | 3916 | 3150 | 3686 | 15.2 | 18.7 | 27.3 | 28.1 | 13.2 | 15.6 | 22.8 | 23.0 | 16 | | 26 | 17 | | 15 | 13 | 17 | 19 | 26 |

| C10906 131.5" Wheelbase | | Frame Heights at Base Model Curb Weight | | | | Frame Heights and Angular Dimensions are shown at Maximum GAWR Front and Rear | | | | | | | | | | | | | | | | | | |
|--------------------------------|---|---|------|------|------|---|------|------|------|------|------|------|------|------|----|---|----|----|----|---|----|----|----|---|
| GVW/Tire | L | Base Model Curb Weight | | | GAWR | | HF | HM | HR | HE | HF | HM | HR | HE | A | B | C | D | E | F | G | H | J | K |
| | | Frnt | Rr | Ttl | Frnt | Rr | | | | | | | | | | | | | | | | | | |
| 6800 P235/75R15 | | 2263 | 2442 | 4705 | 2950 | 3968 | 15.5 | 18.8 | 27.2 | 30.6 | 13.8 | 16.5 | 24.0 | 27.0 | 13 | | 27 | 18 | 17 | | 13 | 18 | 22 | |
| 7700 LT245/75R16 | | 2806 | 2757 | 5563 | 3600 | 6084 | 15.0 | 30.8 | 27.2 | 18.6 | 13.3 | 26.0 | 23.1 | 15.7 | 12 | | 27 | 17 | 15 | | 13 | 17 | 12 | |

| C10953 155.5" Wheelbase | | Frame Heights at Base Model Curb Weight | | | | Frame Heights and Angular Dimensions are shown at Maximum GAWR Front and Rear | | | | | | | | | | | | | | | | | | |
|--------------------------------|------|---|------|------|------|---|------|------|------|------|------|------|------|------|----|---|----|----|---|----|----|----|----|----|
| GVW/Tire | L | Base Model Curb Weight | | | GAWR | | HF | HM | HR | HE | HF | HM | HR | HE | A | B | C | D | E | F | G | H | J | K |
| | | Frnt | Rr | Ttl | Frnt | Rr | | | | | | | | | | | | | | | | | | |
| 6200 P235/75R15 | 41.7 | 2456 | 1767 | 4223 | 3500 | 3686 | 14.7 | 18.2 | 27.2 | 28.0 | 12.6 | 15.2 | 22.9 | 23.2 | 15 | | 25 | 16 | | 10 | 13 | 13 | 12 | 20 |

K 10000 Models

| K10516 | | 111.5" Wheelbase | | | | | Frame Heights at Base Model Curb Weight | | | | Frame Heights and Angular Dimensions are shown at Maximum GAWR Front and Rear | | | | | | | | | | | | | |
|---------------------|---|------------------------|------|------|------|------|---|------|------|----|---|------|------|----|----|----|----|----|----|----|----|----|----|---|
| GVW/Tire | L | Base Model Curb Weight | | | GAWR | | HF | HM | HR | HE | HF | HM | HR | HE | A | B | C | D | E | F | G | H | J | K |
| | | Frnt | Rr | Ttl | Frnt | Rr | | | | | | | | | | | | | | | | | | |
| 6250 LT225/75R16 | | 2516 | 2189 | 4708 | 3600 | 3750 | 17.6 | 19.5 | 28.6 | | 15.2 | 16.8 | 25.7 | | 19 | 25 | 30 | 21 | 25 | 12 | 21 | 26 | 31 | |
| 6450 LT225/75R15 | | 2872 | 2235 | 5107 | 3600 | 3750 | 16.7 | 18.8 | 28.1 | | 15.2 | 16.8 | 25.7 | | 19 | 25 | 30 | 21 | 25 | | 20 | 26 | 31 | |

| K10703 | | 117.5" Wheelbase | | | | | Frame Heights at Base Model Curb Weight | | | | Frame Heights and Angular Dimensions are shown at Maximum GAWR Front and Rear | | | | | | | | | | | | | |
|---------------------|---|------------------------|------|------|------|------|---|------|------|------|---|------|------|------|----|----|----|----|---|----|----|----|----|----|
| GVW/Tire | L | Base Model Curb Weight | | | GAWR | | HF | HM | HR | HE | HF | HM | HR | HE | A | B | C | D | E | F | G | H | J | K |
| | | Frnt | Rr | Ttl | Frnt | Rr | | | | | | | | | | | | | | | | | | |
| 6100 LT225/75R15 | | 2526 | 1682 | 4208 | 3600 | 3750 | 18.6 | 20.1 | 29.1 | 29.5 | 17.0 | 17.2 | 24.9 | 24.6 | 19 | 28 | 33 | 25 | | 18 | 15 | 21 | 22 | 32 |

| K10753 | | 141.5" Wheelbase | | | | | Frame Heights at Base Model Curb Weight | | | | Frame Heights and Angular Dimensions are shown at Maximum GAWR Front and Rear | | | | | | | | | | | | | |
|---------------------|------|------------------------|------|------|------|------|---|------|------|------|---|------|------|------|----|----|----|----|---|----|----|----|----|----|
| GVW/Tire | L | Base Model Curb Weight | | | GAWR | | HF | HM | HR | HE | HF | HM | HR | HE | A | B | C | D | E | F | G | H | J | K |
| | | Frnt | Rr | Ttl | Frnt | Rr | | | | | | | | | | | | | | | | | | |
| 6600 LT245/75R16 | 36.8 | 2711 | 1776 | 4487 | 3600 | 3750 | 18.7 | 20.2 | 29.4 | 29.8 | 16.4 | 18.8 | 29.1 | 29.9 | 19 | 27 | 32 | 23 | | 24 | 21 | 25 | 39 | 33 |

| K10903 | | 131.5" Wheelbase | | | | | Frame Heights at Base Model Curb Weight | | | | Frame Heights and Angular Dimensions are shown at Maximum GAWR Front and Rear | | | | | | | | | | | | | |
|---------------------|------|------------------------|------|------|------|------|---|------|------|------|---|------|------|------|----|----|----|----|---|----|----|----|----|----|
| GVW/Tire | L | Base Model Curb Weight | | | GAWR | | HF | HM | HR | HE | HF | HM | HR | HE | A | B | C | D | E | F | G | H | J | K |
| | | Frnt | Rr | Ttl | Frnt | Rr | | | | | | | | | | | | | | | | | | |
| 6100 LT225/75R16 | 41.7 | 2608 | 1739 | 4347 | 3600 | 3750 | 18.4 | 19.9 | 29.0 | 29.4 | 17.0 | 17.2 | 24.9 | 24.6 | 17 | 28 | 33 | 25 | | 18 | 15 | 19 | 23 | 28 |

| K10906 | | 131.5" Wheelbase | | | | | Frame Heights at Base Model Curb Weight | | | | Frame Heights and Angular Dimensions are shown at Maximum GAWR Front and Rear | | | | | | | | | | | | | |
|---------------------|---|------------------------|------|------|------|------|---|------|------|----|---|------|------|----|----|----|----|----|----|---|----|----|----|---|
| GVW/Tire | L | Base Model Curb Weight | | | GAWR | | HF | HM | HR | HE | HF | HM | HR | HE | A | B | C | D | E | F | G | H | J | K |
| | | Frnt | Rr | Ttl | Frnt | Rr | | | | | | | | | | | | | | | | | | |
| 7200 LT245/75R16 | | 2576 | 2558 | 5134 | 3600 | 4000 | 19.2 | 20.2 | 28.5 | | 17.3 | 18.0 | 26.4 | | 18 | 29 | 34 | 26 | 21 | | 15 | 20 | 27 | |
| 8050 LT245/75R16 | | 3107 | 2730 | 5837 | 3750 | 4800 | 18.9 | 20.5 | 29.6 | | 18.2 | 18.9 | 27.1 | | 20 | 22 | 36 | 27 | 22 | | 16 | 21 | 29 | |

| K10953 | | 155.5" Wheelbase | | | | | Frame Heights at Base Model Curb Weight | | | | Frame Heights and Angular Dimensions are shown at Maximum GAWR Front and Rear | | | | | | | | | | | | | |
|---------------------|------|------------------------|------|------|------|------|---|------|------|------|---|------|------|------|----|----|----|----|---|----|----|----|----|----|
| GVW/Tire | L | Base Model Curb Weight | | | GAWR | | HF | HM | HR | HE | HF | HM | HR | HE | A | B | C | D | E | F | G | H | J | K |
| | | Frnt | Rr | Ttl | Frnt | Rr | | | | | | | | | | | | | | | | | | |
| 6600 LT245/75R16 | 41.7 | 2794 | 1900 | 4694 | 3600 | 3750 | 18.7 | 20.1 | 29.2 | 29.5 | 17.5 | 17.9 | 25.5 | 25.2 | 15 | 29 | 34 | 26 | | 17 | 15 | 19 | 24 | 29 |
| 6800 LT245/75R16 | 41.7 | 2774 | 1994 | 4768 | 3600 | 3750 | 18.7 | 20.0 | 28.9 | 29.1 | 18.7 | 18.5 | 25.3 | 24.8 | 16 | 31 | 36 | 28 | | 17 | 15 | 19 | 23 | 28 |

C 2000 Models

| C20753 141.5" Wheelbase | | Frame Heights at Base Model Curb Weight | | | | Frame Heights and Angular Dimensions are shown at Maximum GAWR Front and Rear | | | | | | | | | | | | | | | | | | |
|--------------------------------|------|---|------|------|------|---|------|------|------|------|------|------|------|------|----|---|----|----|----|----|----|----|---|----|
| GVW/Tire | L | Base Model Curb Weight | | | GAWR | | HF | HM | HR | HE | HF | HM | HR | HE | A | B | C | D | E | F | G | H | J | K |
| | | Frnt | Rr | Ttl | Frnt | Rr | | | | | | | | | | | | | | | | | | |
| 7200 LT225/75R16 | 36.8 | 2512 | 1756 | 4268 | 3600 | 4670 | 15.7 | 19.8 | 29.3 | 30.2 | 14.0 | 16.7 | 24.3 | 24.6 | 17 | | 28 | 19 | 26 | 18 | 15 | 19 | | 32 |

| C20903 131.5" Wheelbase | | Frame Heights at Base Model Curb Weight | | | | Frame Heights and Angular Dimensions are shown at Maximum GAWR Front and Rear | | | | | | | | | | | | | | | | | | |
|--------------------------------|---|---|------|------|------|---|------|------|------|------|------|------|------|------|----|---|----|----|---|----|----|----|----|----|
| GVW/Tire | L | Base Model Curb Weight | | | GAWR | | HF | HM | HR | HE | HF | HM | HR | HE | A | B | C | D | E | F | G | H | J | K |
| | | Frnt | Rr | Ttl | Frnt | Rr | | | | | | | | | | | | | | | | | | |
| 7200 LT245/75R16 | | 2333 | 1716 | 4049 | 3150 | 4800 | 15.9 | 20.3 | 29.8 | 31.1 | 14.9 | 17.2 | 24.5 | 24.6 | 19 | | 30 | 21 | | 18 | 15 | 19 | 22 | 28 |
| 8600 LT245/75R16 | | 2397 | 1541 | 3938 | 3600 | 6000 | 16.2 | 20.8 | 30.4 | 31.8 | 14.7 | 16.7 | 23.6 | 23.6 | 17 | | 29 | 20 | | 15 | 14 | 18 | 20 | 27 |

| C20906 131.5" Wheelbase | | Frame Heights at Base Model Curb Weight | | | | Frame Heights and Angular Dimensions are shown at Maximum GAWR Front and Rear | | | | | | | | | | | | | | | | | | |
|--------------------------------|---|---|------|------|------|---|------|------|------|----|------|------|------|------|----|---|----|----|----|----|----|----|----|----|
| GVW/Tire | L | Base Model Curb Weight | | | GAWR | | HF | HM | HR | HE | HF | HM | HR | HE | A | B | C | D | E | F | G | H | J | K |
| | | Frnt | Rr | Ttl | Frnt | Rr | | | | | | | | | | | | | | | | | | |
| 8600 LT245/75R16 | | 2416 | 2852 | 5268 | 3600 | 6084 | 16.1 | 20.0 | 28.9 | | 13.4 | 17.1 | 25.8 | 26.6 | 18 | | 27 | 18 | 21 | 19 | 17 | 21 | 26 | 31 |

| C20906 131.5" Wheelbase | | Frame Heights at Base Model Curb Weight | | | | Frame Heights and Angular Dimensions are shown at Maximum GAWR Front and Rear | | | | | | | | | | | | | | | | | | |
|--------------------------------|------|---|------|------|------|---|------|------|------|------|------|------|------|------|----|---|----|----|---|----|----|----|----|----|
| GVW/Tire | L | Base Model Curb Weight | | | GAWR | | HF | HM | HR | HE | HF | HM | HR | HE | A | B | C | D | E | F | G | H | J | K |
| | | Frnt | Rr | Ttl | Frnt | Rr | | | | | | | | | | | | | | | | | | |
| 8600 LT245/75R16 | 41.7 | 2583 | 1834 | 4417 | 3600 | 6000 | 16.1 | 20.1 | 29.7 | 23.7 | 14.7 | 16.7 | 23.6 | 23.6 | 16 | | 29 | 20 | | 16 | 14 | 18 | 20 | 27 |

K 2000 Models

| K20753 | | 141.5" Wheelbase | | | | Frame Heights at Base Model Curb Weight | | | | Frame Heights and Angular Dimensions are shown at Maximum GAWR Front and Rear | | | | | | | | | | | | | | |
|---------------------|------|------------------------|------|------|------|---|------|------|------|---|------|------|------|------|----|----|----|----|---|----|----|----|----|----|
| GVW/Tire | L | Base Model Curb Weight | | | GAWR | | HF | HM | HR | HE | HF | HM | HR | HE | A | B | C | D | E | F | G | H | J | K |
| | | Fr | Rr | Ttl | Fr | Rr | | | | | | | | | | | | | | | | | | |
| 7200 LT245/75R16 | 36.8 | 2809 | 1805 | 4614 | 3750 | 4410 | 19.2 | 21.2 | 31.0 | 31.6 | 18.4 | 18.7 | 26.4 | 26.2 | 18 | 31 | 36 | 28 | | 19 | 16 | 20 | 26 | 34 |

| K20903 | | 131.5" Wheelbase | | | | Frame Heights at Base Model Curb Weight | | | | Frame Heights and Angular Dimensions are shown at Maximum GAWR Front and Rear | | | | | | | | | | | | | | |
|---------------------|---|------------------------|------|------|------|---|------|------|------|---|------|------|------|------|----|----|----|----|---|----|----|----|----|----|
| GVW/Tire | L | Base Model Curb Weight | | | GAWR | | HF | HM | HR | HE | HF | HM | HR | HE | A | B | C | D | E | F | G | H | J | K |
| | | Fr | Rr | Ttl | Fr | Rr | | | | | | | | | | | | | | | | | | |
| 7200 LT225/75R16 | | 2629 | 1790 | 4419 | 3750 | 4670 | 19.0 | 20.9 | 30.4 | 31.1 | 18.0 | 18.1 | 25.6 | 25.8 | 18 | 30 | 35 | 27 | | 19 | 15 | 19 | 24 | 29 |
| 8600 LT245/75R16 | | 2728 | 1576 | 4304 | 3750 | 6000 | 19.0 | 21.9 | 32.4 | 33.5 | 18.4 | 18.7 | 26.4 | 26.1 | 20 | 31 | 36 | 28 | | 19 | 17 | 20 | 26 | 30 |

| K20906 | | 131.5" Wheelbase | | | | Frame Heights at Base Model Curb Weight | | | | Frame Heights and Angular Dimensions are shown at Maximum GAWR Front and Rear | | | | | | | | | | | | | | |
|---------------------|---|------------------------|------|------|------|---|------|------|------|---|------|------|------|------|----|----|----|----|----|---|----|----|----|----|
| GVW/Tire | L | Base Model Curb Weight | | | GAWR | | HF | HM | HR | HE | HF | HM | HR | HE | A | B | C | D | E | F | G | H | J | K |
| | | Fr | Rr | Ttl | Fr | Rr | | | | | | | | | | | | | | | | | | |
| 8600 LT245/75R16 | | 2762 | 2820 | 5582 | 3750 | 6000 | 19.6 | 21.0 | 29.9 | 30.3 | 18.4 | 19.0 | 26.9 | 26.7 | 20 | 31 | 36 | 23 | 22 | | 16 | 21 | 28 | 31 |

| K20953 | | 155.5" Wheelbase | | | | Frame Heights at Base Model Curb Weight | | | | Frame Heights and Angular Dimensions are shown at Maximum GAWR Front and Rear | | | | | | | | | | | | | | |
|---------------------|---|------------------------|------|------|------|---|------|------|------|---|------|------|------|------|----|----|----|----|---|----|----|----|----|----|
| GVW/Tire | L | Base Model Curb Weight | | | GAWR | | HF | HM | HR | HE | HF | HM | HR | HE | A | B | C | D | E | F | G | H | J | K |
| | | Fr | Rr | Ttl | Fr | Rr | | | | | | | | | | | | | | | | | | |
| 8600 LT245/75R16 | | 2891 | 1899 | 4790 | 3750 | 6000 | 18.0 | 20.2 | 30.3 | 31.1 | 18.4 | 18.8 | 26.4 | 26.2 | 17 | 31 | 36 | 28 | | 19 | 17 | 20 | 26 | 30 |

C 30000 Models

| C30903 131.5" Wheelbase | | Frame Heights at Base Model Curb Weight | | | | Frame Heights and Angular Dimensions are shown at Maximum GAWR Front and Rear | | | | | | | | | | | | | | | | | | |
|--------------------------------|------|---|------|------|------|---|------|------|------|------|------|------|------|------|----|---|----|----|---|----|----|----|----|----|
| GVW/Tire | L | Base Model Curb Weight | | | GAWR | | HF | HM | HR | HE | HF | HM | HR | HE | A | B | C | D | E | F | G | H | J | K |
| | | Frnt | Rr | Ttl | Frnt | Rr | | | | | | | | | | | | | | | | | | |
| 9000 LT245/75R16 | 41.7 | 2629 | 2037 | 4666 | 3600 | 6084 | 15.6 | 21.2 | 31.8 | 33.7 | 14.3 | 17.7 | 26.1 | 26.9 | 19 | | 28 | 20 | | 20 | 18 | 21 | 26 | 31 |
| 10000 LT215/85R16 | 41.7 | 2645 | 1896 | 4541 | 3600 | 7500 | 15.0 | 21.1 | 32.4 | 34.6 | 13.9 | 17.2 | 25.4 | 26.0 | 20 | | 27 | 19 | | 20 | 16 | 20 | 25 | 30 |

| C30943 168.5" Wheelbase | | Frame Heights at Base Model Curb Weight | | | | Frame Heights and Angular Dimensions are shown at Maximum GAWR Front and Rear | | | | | | | | | | | | | | | | | | |
|--------------------------------|------|---|------|------|------|---|------|------|------|------|------|------|------|------|----|---|----|----|---|----|----|----|----|----|
| GVW/Tire | L | Base Model Curb Weight | | | GAWR | | HF | HM | HR | HE | HF | HM | HR | HE | A | B | C | D | E | F | G | H | J | K |
| | | Frnt | Rr | Ttl | Frnt | Rr | | | | | | | | | | | | | | | | | | |
| 9000 LT245/75R16 | 41.7 | 2971 | 2337 | 5308 | 4100 | 6084 | 15.8 | 20.3 | 30.9 | 32.2 | 24.1 | 17.4 | 26.2 | 26.8 | 12 | | 28 | 19 | | 20 | 17 | 21 | 28 | 30 |
| 9600 LT245/75R16 | 41.7 | | | | 4100 | 6084 | 15.8 | 20.6 | 31.6 | 33.1 | 14.1 | 17.4 | 26.2 | 26.8 | 12 | | 28 | 19 | | 19 | 17 | 21 | 28 | 30 |
| 10000 LT215/85R16 | 41.7 | 2645 | 1896 | 4541 | 4100 | 7500 | 15.9 | 20.4 | 31.1 | 32.3 | 14.5 | 17.1 | 24.7 | 24.9 | 11 | | 29 | 20 | | 18 | 15 | 19 | 24 | 28 |

| C30953 155.5" Wheelbase | | Frame Heights at Base Model Curb Weight | | | | Frame Heights and Angular Dimensions are shown at Maximum GAWR Front and Rear | | | | | | | | | | | | | | | | | | |
|--------------------------------|---|---|------|------|------|---|------|------|------|------|------|------|------|------|----|---|----|----|---|----|----|----|----|----|
| GVW/Tire | L | Base Model Curb Weight | | | GAWR | | HF | HM | HR | HE | HF | HM | HR | HE | A | B | C | D | E | F | G | H | J | K |
| | | Frnt | Rr | Ttl | Frnt | Rr | | | | | | | | | | | | | | | | | | |
| 9000 LT245/75R16 | | 2814 | 2125 | 4939 | 3600 | 6084 | 15.1 | 18.1 | 26.2 | 26.7 | 15.9 | 20.7 | 31.4 | 32.8 | 22 | | 32 | 23 | | 29 | 24 | 28 | 38 | 38 |
| 10000 LT215/85R16 | | 2813 | 2437 | 5250 | 3600 | 7500 | 15.3 | 20.4 | 31.4 | 33.0 | 14.7 | 17.5 | 25.4 | 25.8 | 17 | | 29 | 20 | | 19 | 16 | 20 | 24 | 30 |

| C31003 135.5" Wheelbase | | Frame Heights at Base Model Curb Weight | | | | Frame Heights and Angular Dimensions are shown at Maximum GAWR Front and Rear | | | | | | | | | | | | | | | | | | |
|--------------------------------|------|---|------|------|------|---|------|------|------|------|------|------|------|------|----|---|----|----|----|---|----|----|----|----|
| GVW/Tire | L | Base Model Curb Weight | | | GAWR | | HF | HM | HR | HE | HF | HM | HR | HE | A | B | C | D | E | F | G | H | J | K |
| | | Frnt | Rr | Ttl | Frnt | Rr | | | | | | | | | | | | | | | | | | |
| 9000 LT245/75R16 | 51.0 | 2673 | 1847 | 4520 | 3600 | 6084 | 15.9 | 21.5 | 30.4 | 32.7 | 15.1 | 18.2 | 24.3 | 25.0 | 18 | | 30 | 21 | 13 | | 11 | 13 | 20 | 19 |
| 10000 LT215/85R16 | 51.0 | 2705 | 1884 | 4589 | 4100 | 7500 | 15.8 | 21.7 | 31.0 | 33.5 | 13.0 | 19.4 | 26.1 | 31.9 | 22 | | 26 | 17 | 21 | | 16 | 18 | 33 | 27 |
| 11000 LT215/85R16 | 51.0 | 2803 | 1918 | 4721 | 4100 | 8250 | 15.8 | 21.7 | 31.0 | 33.5 | 13.2 | 19.1 | 28.4 | 30.9 | 21 | | 26 | 17 | 20 | | 15 | 18 | 31 | 26 |
| 15000 225/70R19.5 | 51.0 | 3157 | 2146 | 5303 | 5000 | 11000 | 21.9 | 26.0 | 33.1 | 34.4 | 20.4 | 23.3 | 29.2 | 39.7 | 27 | | 40 | 32 | 19 | | 14 | 16 | 31 | 24 |

C 30000 Models (continued)

| C31403 | | 159.5" Wheelbase | | | | | Frame Heights at Base Model Curb Weight | | | | Frame Heights and Angular Dimensions are shown at Maximum GAWR Front and Rear | | | | | | | | | | | | | |
|----------------------|------|-------------------------|------|------|------|-------|--|------|------|------|--|------|------|------|----|---|----|----|----|---|---|---|----|----|
| GVW/Tire | L | Base Model Curb Weight | | | GAWR | | HF | HM | HR | HE | HF | HM | HR | HE | A | B | C | D | E | F | G | H | J | K |
| | | Frt | Rr | Ttl | Frt | Rr | | | | | | | | | | | | | | | | | | |
| 9000 LT245/75R16 | 51.0 | 2781 | 1822 | 4603 | 3600 | 6084 | 15.8 | 21.1 | 30.5 | 32.5 | 14.8 | 18.6 | 25.8 | 26.8 | 17 | | 29 | 21 | 15 | | | | 24 | 21 |
| 10000 LT215/85R16 | 51.0 | 2812 | 1860 | 4672 | 4100 | 7500 | 15.7 | 21.2 | 31.0 | 33.2 | 14.0 | 17.9 | 25.4 | 26.6 | 16 | | 28 | 19 | 15 | | | | 23 | 21 |
| 11000 LT215/85R16 | 51.0 | 2803 | 1918 | 4721 | 4100 | 8250 | 15.8 | 21.3 | 30.9 | 33.0 | 14.0 | 17.8 | 25.1 | 26.2 | 16 | | 28 | 19 | 15 | | | | 22 | 21 |
| 15000 225/70R19.5 | 51.0 | 3279 | 2112 | 5391 | 5000 | 11000 | 21.8 | 25.8 | 33.3 | 34.5 | 20.5 | 23.5 | 29.2 | 29.6 | 23 | | 40 | 32 | 19 | | | | 31 | 24 |

| C31803 | | 183.5" Wheelbase | | | | | Frame Heights at Base Model Curb Weight | | | | Frame Heights and Angular Dimensions are shown at Maximum GAWR Front and Rear | | | | | | | | | | | | | |
|----------------------|---|-------------------------|------|------|------|-------|--|------|------|------|--|------|------|------|----|---|----|----|----|---|---|---|----|----|
| GVW/Tire | L | Base Model Curb Weight | | | GAWR | | HF | HM | HR | HE | HF | HM | HR | HE | A | B | C | D | E | F | G | H | J | K |
| | | Frt | Rr | Ttl | Frt | Rr | | | | | | | | | | | | | | | | | | |
| 15000 225/70R19.5 | | 3367 | 2180 | 5547 | 5000 | 11000 | 22.2 | 25.8 | 33.3 | 34.2 | 20.8 | 23.5 | 29.3 | 29.6 | 20 | | 40 | 33 | 22 | | | | 31 | 24 |

K 30000 Models

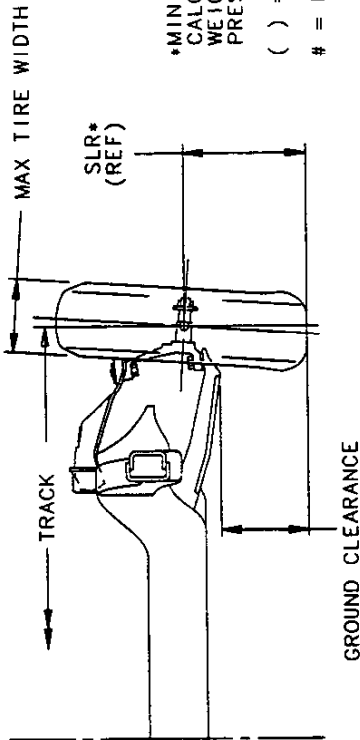
| K30903 | | 131.5" Wheelbase | | | | | Frame Heights at Base Model Curb Weight | | | | Frame Heights and Angular Dimensions are shown at Maximum GAWR Front and Rear | | | | | | | | | | | | | |
|----------------------|------|------------------------|------|------|------|------|---|------|------|------|---|------|------|------|----|----|----|----|---|----|----|----|----|----|
| GVW/Tire | L | Base Model Curb Weight | | | GAWR | | HF | HM | HR | HE | HF | HM | HR | HE | A | B | C | D | E | F | G | H | J | K |
| | | Frnt | Rr | Ttl | Frnt | Rr | | | | | | | | | | | | | | | | | | |
| 9200 LT245/75R16 | 41.7 | 2936 | 2093 | 5029 | 3750 | 6084 | 18.8 | 21.4 | 31.6 | 32.6 | 18.6 | 18.6 | 26.0 | 25.6 | 19 | 30 | 36 | 28 | | 18 | 16 | 20 | 24 | 29 |
| 10000 LT225/75R16 | 41.7 | 2962 | 1973 | 4935 | 3750 | 7500 | 18.2 | 21.1 | 31.6 | 32.7 | 18.0 | 18.4 | 26.1 | 25.9 | 19 | 29 | 35 | 27 | | 20 | 16 | 20 | 25 | 30 |

| K30943 | | 155.5" Wheelbase | | | | | Frame Heights at Base Model Curb Weight | | | | Frame Heights and Angular Dimensions are shown at Maximum GAWR Front and Rear | | | | | | | | | | | | | |
|----------------------|------|------------------------|------|------|------|------|---|------|------|------|---|------|------|------|----|----|----|----|---|----|----|----|----|----|
| GVW/Tire | L | Base Model Curb Weight | | | GAWR | | HF | HM | HR | HE | HF | HM | HR | HE | A | B | C | D | E | F | G | H | J | K |
| | | Frnt | Rr | Ttl | Frnt | Rr | | | | | | | | | | | | | | | | | | |
| 9200 LT245/75R16 | 41.7 | 3289 | 2391 | 5680 | 4500 | 6084 | 18.6 | 20.8 | 31.2 | 31.9 | 17.0 | 17.9 | 26.3 | 26.4 | 13 | 27 | 33 | 25 | | 19 | 17 | 20 | 27 | 30 |
| 10000 LT225/75R16 | 41.7 | 3324 | 2269 | 5593 | 4500 | 7500 | 17.9 | 20.3 | 31.0 | 31.9 | 16.7 | 17.7 | 26.1 | 26.2 | 13 | 26 | 33 | 24 | | 19 | 17 | 20 | 26 | 29 |

| K30953 | | 155.5" Wheelbase | | | | | Frame Heights at Base Model Curb Weight | | | | Frame Heights and Angular Dimensions are shown at Maximum GAWR Front and Rear | | | | | | | | | | | | | |
|----------------------|------|------------------------|------|------|------|------|---|------|------|------|---|------|------|------|----|----|----|----|---|----|----|----|----|----|
| GVW/Tire | L | Base Model Curb Weight | | | GAWR | | HF | HM | HR | HE | HF | HM | HR | HE | A | B | C | D | E | F | G | H | J | K |
| | | Frnt | Rr | Ttl | Frnt | Rr | | | | | | | | | | | | | | | | | | |
| 10000 LT225/75R16 | 41.7 | 3175 | 2485 | 5660 | 3750 | 7500 | 18.2 | 20.6 | 31.0 | 31.8 | 18.1 | 18.6 | 26.2 | 26.0 | 16 | 29 | 35 | 27 | | 20 | 16 | 15 | 25 | 30 |

| K31003 | | 135.5" Wheelbase | | | | | Frame Heights at Base Model Curb Weight | | | | Frame Heights and Angular Dimensions are shown at Maximum GAWR Front and Rear | | | | | | | | | | | | | |
|----------------------|------|------------------------|------|------|------|------|---|------|------|------|---|------|------|------|----|----|----|----|----|----|----|---|----|----|
| GVW/Tire | L | Base Model Curb Weight | | | GAWR | | HF | HM | HR | HE | HF | HM | HR | HE | A | B | C | D | E | F | G | H | J | K |
| | | Frnt | Rr | Ttl | Frnt | Rr | | | | | | | | | | | | | | | | | | |
| 9200 LT245/75R16 | 51.0 | 2890 | 1836 | 4726 | 3750 | 6084 | 18.9 | 21.9 | 32.7 | 34.2 | 18.4 | 19.2 | 27.3 | 27.2 | 20 | 30 | 36 | 28 | 13 | 14 | 13 | | 21 | 24 |
| 10000 LT245/75R16 | 51.0 | 3000 | 1981 | 4981 | 4500 | 7500 | 18.2 | 21.3 | 31.9 | 33.4 | 16.5 | 18.0 | 27.0 | 27.4 | 18 | 26 | 32 | 24 | 14 | 14 | 13 | | 21 | 25 |
| 12000 LT225/75R16 | 51.0 | 3031 | 2026 | 5037 | 4500 | 8600 | 18.2 | 21.2 | 31.9 | 33.4 | 16.8 | 17.6 | 25.8 | 25.7 | 17 | 27 | 33 | 25 | 12 | 12 | 11 | | 18 | 23 |

| K31403 | | 159.5" Wheelbase | | | | | Frame Heights at Base Model Curb Weight | | | | Frame Heights and Angular Dimensions are shown at Maximum GAWR Front and Rear | | | | | | | | | | | | | |
|----------------------|------|------------------------|------|------|------|------|---|------|------|------|---|------|------|------|----|----|----|----|----|----|----|---|----|----|
| GVW/Tire | L | Base Model Curb Weight | | | GAWR | | HF | HM | HR | HE | HF | HM | HR | HE | A | B | C | D | E | F | G | H | J | K |
| | | Frnt | Rr | Ttl | Frnt | Rr | | | | | | | | | | | | | | | | | | |
| 10000 LT225/75R16 | 51.0 | 3031 | 2026 | 5057 | 4500 | 7500 | 18.3 | 21.0 | 31.9 | 33.1 | 16.7 | 17.8 | 26.2 | 26.4 | 15 | 26 | 33 | 24 | 12 | 23 | 18 | | 19 | 23 |
| 12000 LT225/75R16 | 51.0 | 3110 | 1977 | 5087 | 4500 | 8600 | 18.2 | 21.0 | 32.0 | 33.3 | 16.8 | 17.6 | 25.8 | 25.7 | 15 | 27 | 33 | 25 | 12 | 22 | 17 | | 17 | 23 |

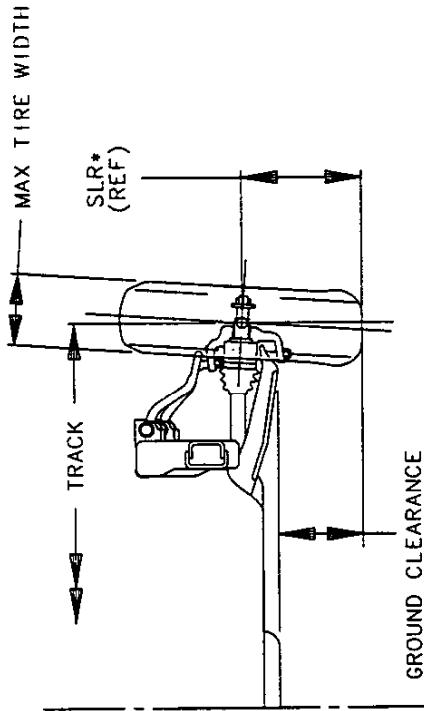


*MINIMUM GROUND CLEARANCE TO BE CALCULATED BY USING GROSS AXLE WEIGHT AND RECOMMENDED TIRE PRESSURE

() = INCHES

= FRT GROSS AXLE WEIGHT RATE

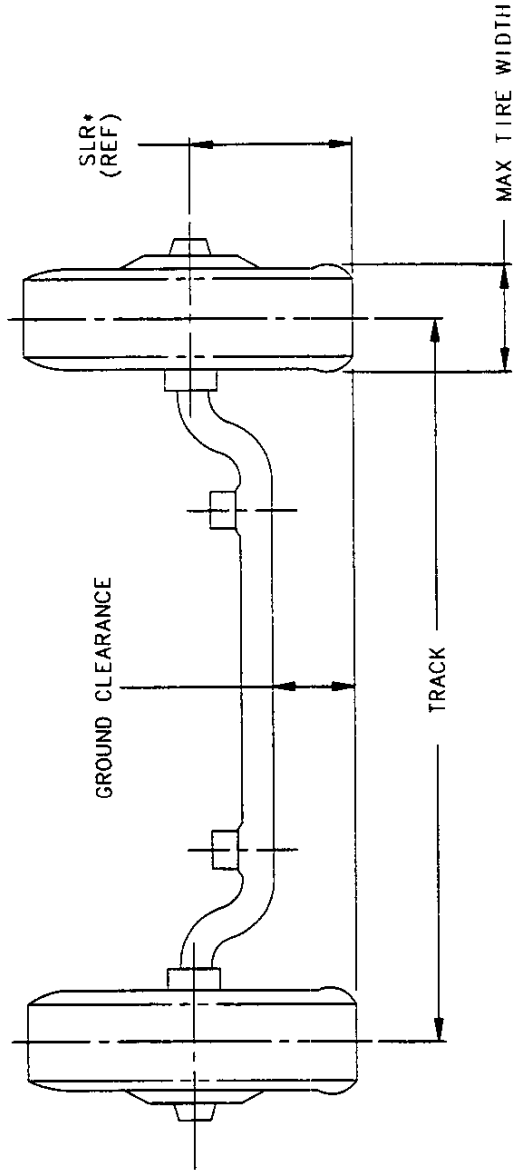
| MODEL | TIRE | MAX GW | REAR WHEEL | TRACK | WHEEL OFFSET | GROUND CLEARANCE | MAX TIRE WIDTH |
|--------|-------------|-------------|------------|----------------------------|--------------|------------------|----------------|
| C10003 | P225/75R15 | 5600 | SINGLE | 1616.0 | 0/13 | 172.3 (6.78) | 234.0 (9.21) |
| | P235/75R15 | 5600 | SINGLE | 1616.0 | 0/13 | 179.9 (7.08) | 252.0 (9.92) |
| | P235/75R15 | 6100 | SINGLE | 1616.0 | 0/13 | 178.1 (7.01) | 252.0 (9.92) |
| | P275/75R15 | 5600/6100 | SINGLE | 1616.0 | 0/13 | 171.0 (6.73) | 283.0 (11.14) |
| | P235/75R15 | 6200 | SINGLE | 1633.0 1648.0 1663.0 | 0/13 | 175.1 (6.89) | 252.0 (9.92) |
| C10053 | P275/75R15 | 6200 | SINGLE | 1633.0 1648.0 1663.0 | 0 | 167.2 (6.58) | 283.0 (11.14) |
| | P235/75R15 | 6800 | SINGLE | 1590.0 | 0/13 | 181.0 (7.13) | 252.0 (9.92) |
| C10906 | LT225/75R16 | 7200 | SINGLE | 1590.0 | 17.0 | 193.9 (7.63) | 239.0 (9.41) |
| | LT225/75R16 | 7200 | SINGLE | 1590.0 | 17.0 | 194.4 (7.65) | 239.0 (9.41) |
| C20003 | LT245/75R16 | 7200 | SINGLE | 1590.0 | 17.0 | 204.8 (8.07) | 256.0 (10.08) |
| | LT245/75R16 | 7200 | SINGLE | 1590.0 | 17.0 | 202.8 (7.98) | 256.0 (10.08) |
| | LT245/75R16 | 8600 | SINGLE | 1607.0 | 17.0 | 212.1 (8.35) | 256.0 (10.08) |
| | LT245/75R16 | 8600 | SINGLE | 1607.0 | 17.0 | 195.2 (7.69) | 239.0 (9.41) |
| C20053 | LT225/75R16 | 7200 | SINGLE | 1590.0 | 17.0 | 203.3 (8.00) | 256.0 (10.08) |
| | LT245/75R16 | 7200 | SINGLE | 1590.0 | 17.0 | 204.2 (8.04) | 256.0 (10.08) |
| | LT245/75R16 | 8600 | SINGLE | 1607.0 | 17.0 | 219.7 (8.64) | 256.0 (10.08) |
| | LT245/75R16 | 8600 | SINGLE | 1607.0 | 17.0 | 194.1 (7.64) | 239.0 (9.41) |
| C20906 | LT225/75R16 | 10000 | DUAL | 1635.0 | 127.0 | 204.2 (8.04) | 256.0 (10.08) |
| | LT245/75R16 | 10000 | DUAL | 1635.0 | 127.0 | 226.9 (8.93) | 244.0 (9.61) |
| C30900 | 7.50-16LT | 10000 | DUAL | 1635.0 | 127.0 | 189.3 (7.45) | 239.0 (9.41) |
| | LT225/75R16 | 9600 | SINGLE | 1607.0 | 17.0 | 188.6 (7.43) | 234.0 (9.21) |
| C30943 | LT225/75R16 | 10000 | DUAL | 1635.0 | 127.0 | 201.5 (7.93) | 256.0 (10.08) |
| | LT245/75R16 | 9000 | SINGLE | 1607.0 | 127.0 | 222.1 (8.74) | 244.0 (9.61) |
| | 7.50-16LT | 10000 | DUAL | 1635.0 | 127.0 | 191.1 (7.52) | 234.0 (9.21) |
| C31003 | LT225/75R16 | 10000/11000 | DUAL | 1635.0 | 127.0 | 222.1 (8.74) | 244.0 (9.61) |
| | 7.50-16LT | 10000/11000 | DUAL | 1635.0 | 127.0 | 191.1 (7.52) | 234.0 (9.21) |
| C31403 | LT225/75R16 | 10000/11000 | DUAL | 1635.0 | 127.0 | 222.1 (8.74) | 244.0 (9.61) |
| | 7.50-16LT | 10000/11000 | DUAL | 1635.0 | 127.0 | 222.1 (8.74) | 244.0 (9.61) |



*MINIMUM GROUND CLEARANCE TO BE CALCULATED BY USING GROSS AXLE WEIGHT AND RECOMMENDED TIRE PRESSURE

() = INCHES

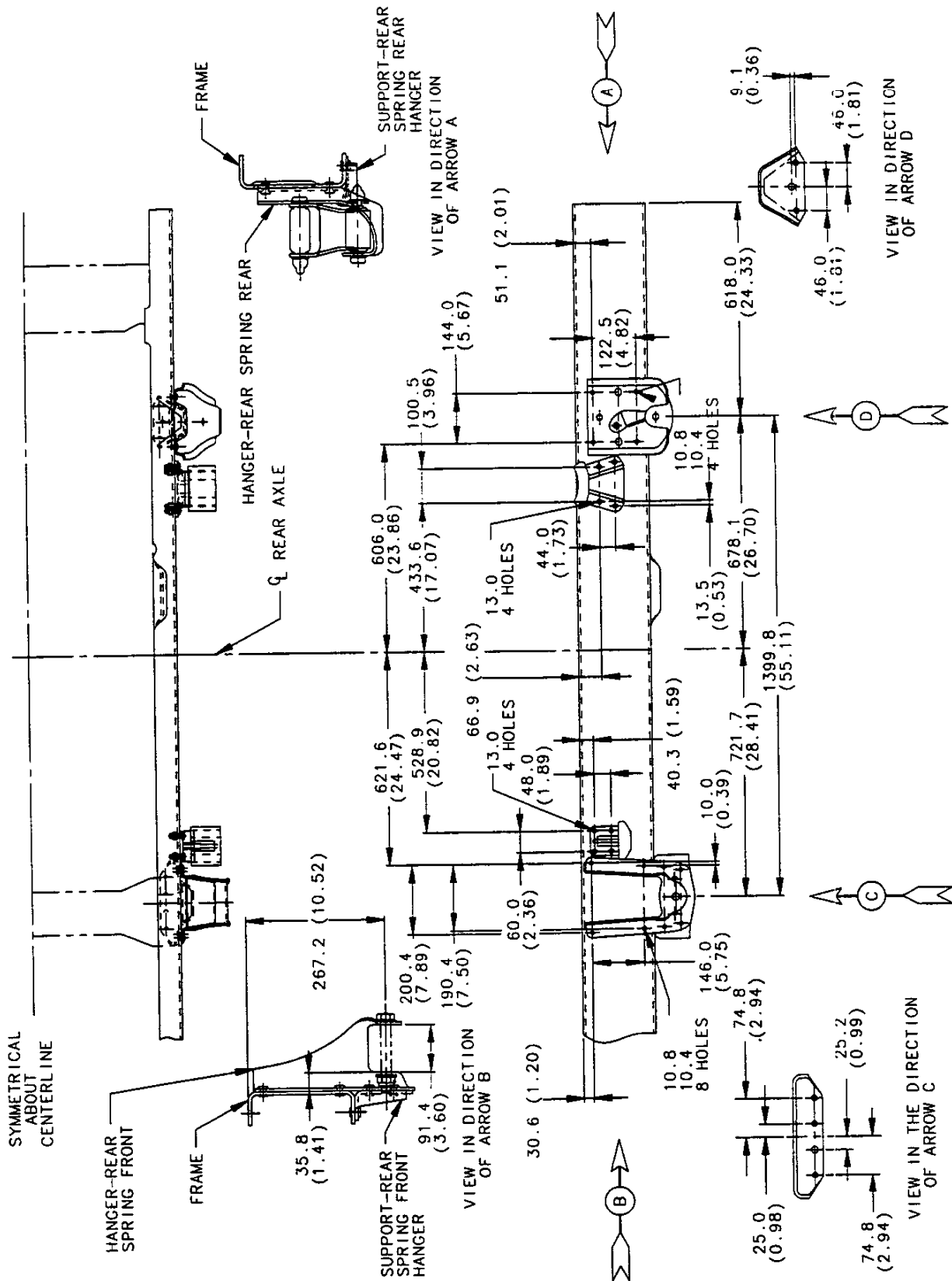
| MODEL | TIRE | MAX GWV | REAR WHEEL | TRACK | WHEEL OFFSET | GROUND CLEARANCE | MAX TIRE WIDTH |
|--------|-------------|-------------|------------|--------|--------------|------------------|----------------|
| K10516 | LT225/75R16 | 6250 | SINGLE | 1628.0 | 50.0/44.0 | 250.6 (9.87) | 239.0 (9.41) |
| | LT265/75R16 | 6250 | SINGLE | 1628.0 | 50.0/44.0 | 273.4 (10.76) | 276.0 (10.87) |
| | LT225/75R16 | 5600 | SINGLE | 1628.0 | 50.0/44.0 | 220.3 (8.67) | 239.0 (9.41) |
| K10003 | LT225/75R16 | 6100 | SINGLE | 1628.0 | 50.0/44.0 | 219.1 (8.63) | 239.0 (9.41) |
| | LT265/75R16 | 5600 | SINGLE | 1628.0 | 50.0/44.0 | 244.2 (9.61) | 276.0 (10.87) |
| | LT265/75R16 | 6100 | SINGLE | 1628.0 | 50.0/44.0 | 241.9 (9.52) | 276.0 (10.87) |
| K10053 | LT245/75R16 | 6200/6600 | SINGLE | 1628.0 | 50.0/44.0 | 229.0 (9.02) | 256.0 (10.08) |
| | LT265/75R16 | 6100 | SINGLE | 1628.0 | 50.0/44.0 | 241.9 (9.52) | 276.0 (10.87) |
| | LT225/75R16 | 5600/7200 | SINGLE | 1628.0 | 50.0/44.0 | 240.6 (9.47) | 239.0 (9.41) |
| K10906 | LT225/75R16 | 6100 | SINGLE | 1628.0 | 50.0/44.0 | 239.6 (9.43) | 239.0 (9.41) |
| | LT265/75R16 | 5600 | SINGLE | 1628.0 | 50.0/44.0 | 264.2 (10.40) | 276.0 (10.87) |
| | LT265/75R16 | 6100 | SINGLE | 1628.0 | 50.0/44.0 | 262.4 (10.33) | 276.0 (10.87) |
| K20003 | LT265/75R16 | 7200 | SINGLE | 1628.0 | 50.0/44.0 | 262.7 (10.34) | 276.0 (10.87) |
| | LT225/75R16 | 7200 | SINGLE | 1628.0 | 17.0 | 220.1 (8.67) | 239.0 (9.41) |
| | LT245/75R16 | 7200 | SINGLE | 1628.0 | 17.0 | 229.0 (9.02) | 256.0 (10.08) |
| K20053 | LT245/75R16 | 8600 | SINGLE | 1742.0 | 17.0 | 160.6 (6.32) | 256.0 (10.08) |
| | LT245/75R16 | 7200 | SINGLE | 1628.0 | 17.0 | 229.0 (9.02) | 239.0 (9.41) |
| | LT245/75R16 | 8600 | SINGLE | 1742.0 | 17.0 | 160.6 (6.32) | 256.0 (10.08) |
| K30900 | LT245/75R16 | 8600 | SINGLE | 1742.0 | 17.0 | 193.4 (7.61) | 256.0 (10.08) |
| | LT245/75R16 | 9200 | SINGLE | 1742.0 | 17.0 | 160.6 (6.32) | 256.0 (10.08) |
| | LT225/75R16 | 10000 | DUAL | 1757.0 | 127.0 | 150.5 (5.93) | 239.0 (9.41) |
| K30943 | 7.50-16LT | 10000 | DUAL | 1757.0 | 127.0 | 184.8 (7.28) | 244.0 (9.61) |
| | LT245/75R16 | 9000 | SINGLE | 1742.0 | 17.0 | 186.1 (7.33) | 256.0 (10.08) |
| | LT225/75R16 | 10000 | DUAL | 1757.0 | 127.0 | 176.2 (6.94) | 234.0 (9.21) |
| K31003 | 7.50-16LT | 10000 | DUAL | 1757.0 | 127.0 | 209.5 (8.25) | 244.0 (9.61) |
| | LT225/75R16 | 10000/12000 | DUAL | 1757.0 | 127.0 | 148.0 (5.83) | 234.0 (9.21) |
| | 7.50-16LT | 10000/12000 | DUAL | 1757.0 | 127.0 | 179.0 (7.05) | 244.0 (9.61) |
| K31403 | LT225/75R16 | 10000/12000 | DUAL | 1757.0 | 127.0 | 148.0 (5.83) | 234.0 (9.21) |
| | 7.50-16LT | 10000/12000 | DUAL | 1757.0 | 127.0 | 179.0 (7.05) | 244.0 (9.61) |



| MODEL | TIRE | MAX GVW | REAR WHEEL | TRACK | WHEEL OFFSET | GROUND CLEARANCE | MAX TIRE WIDTH |
|--------|---------------|---------|------------|--------|--------------|------------------|----------------|
| C31003 | LT225/70R19.5 | 15000 | DUAL | 1771.0 | 127.0 | 274.4 (10.80) | 228.0 (8.98) |
| C31403 | LT225/70R19.5 | 15000 | DUAL | 1771.0 | 127.0 | 274.4 (10.80) | 228.0 (8.98) |
| C31803 | LT225/70R19.5 | 15000 | DUAL | 1771.0 | 127.0 | 274.4 (10.80) | 228.0 (8.98) |

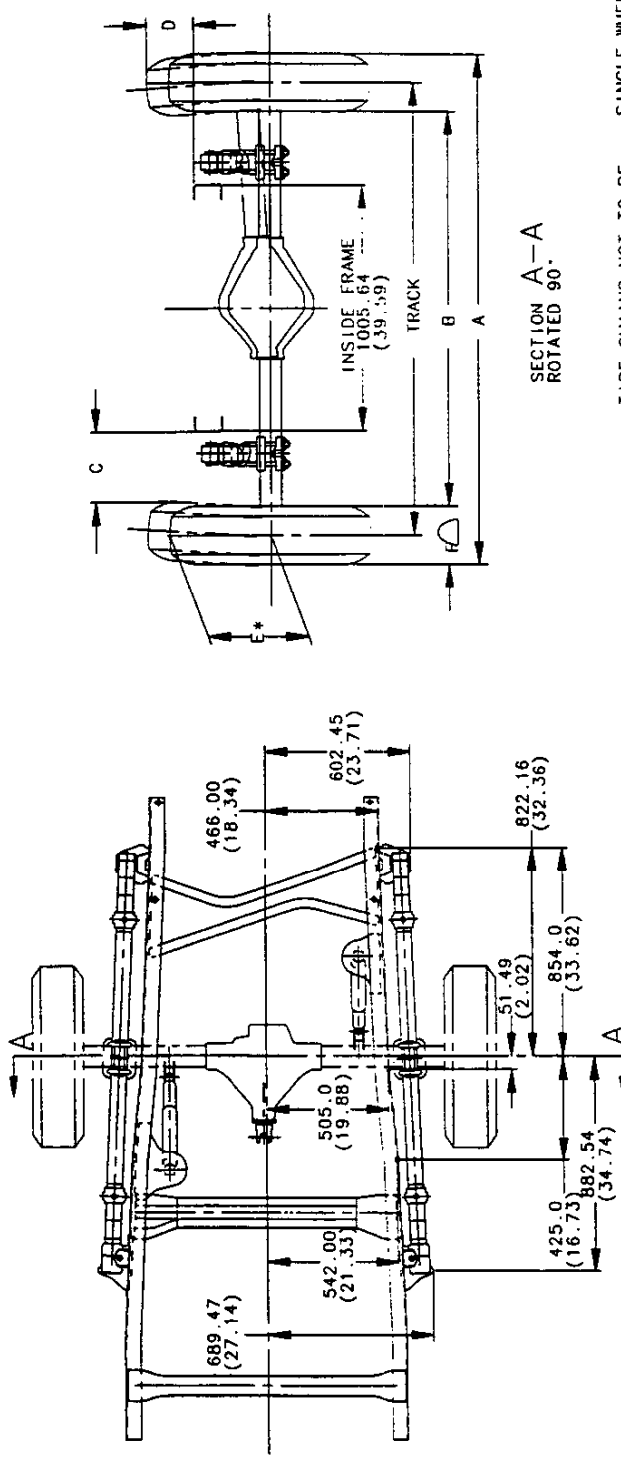
*MINIMUM GROUND CLEARANCE TO BE CALCULATED BY USING GROSS AXLE WEIGHT AND RECOMMENDED TIRE PRESSURE

() = INCHES

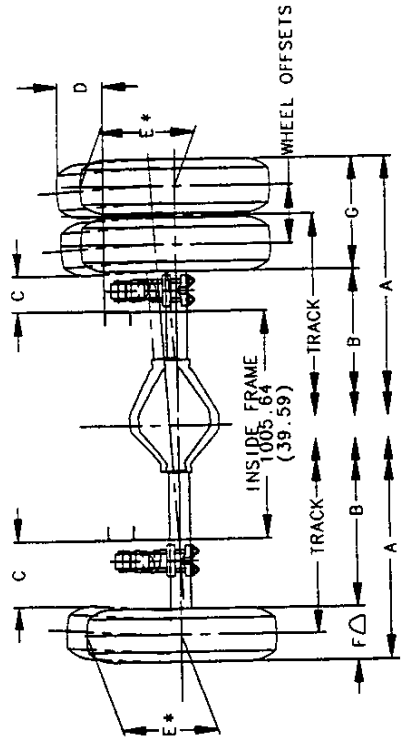
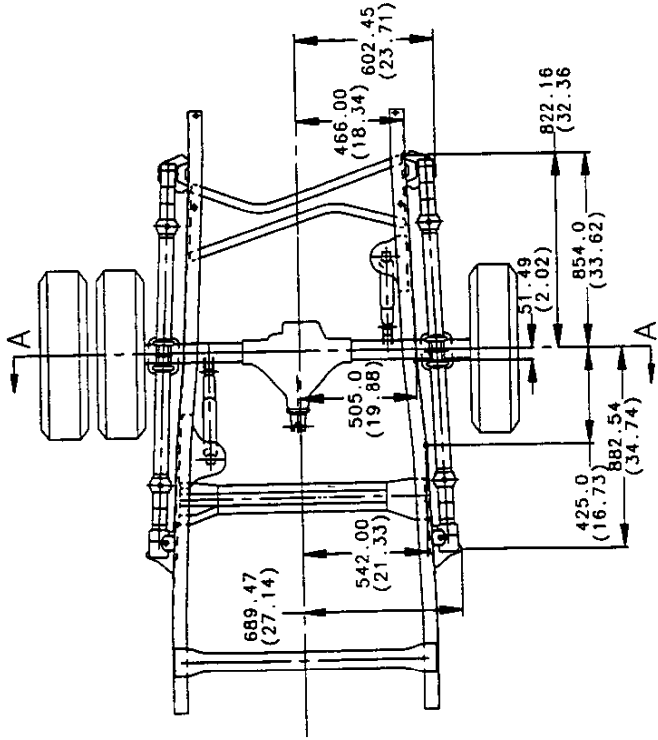


Axle/Suspension

C 3500 HD Chassis Cab, Rear Suspension Hanger Bracket Locations, 15,000 GVWR



| SERIES | TIRES | GW RANGE | REAR WHEEL | TRACK | WHEEL OFFSET | DIM A | DIM B | DIM C | DIM D | DIM E * | DIM F Δ | TIRE CHAINS NOT TO BE USED WITH K1500 AND LT265/75R16 TIRES | |
|--------|-------------|-----------|------------|--------|--------------|--------|--------|-------|-------|---------|---------|---|---------------|
| | | | | | | | | | | | | A = TRACK + F | B = TRACK - F |
| C1500 | P225/70R15 | 5600 | SINGLE | 1642.0 | 0.0 | 1886.0 | 1398.0 | 169.5 | 225.0 | 358.5 | 244.0 | | |
| | P225/75R15 | 5600 | SINGLE | 1642.0 | 0.0 | 1886.0 | 1398.0 | 169.5 | 236.0 | 369.5 | 244.0 | | |
| | P235/75R15 | 5600 | SINGLE | 1642.0 | 0.0 | 1894.0 | 1390.0 | 160.5 | 244.0 | 374.5 | 252.0 | | |
| K1500 | P235/75R15 | 5600-6800 | SINGLE | 1616.0 | 13.0 | 1868.0 | 1364.0 | 148.0 | 243.0 | 374.5 | 252.0 | | |
| | P275/60R15 | 5600-6200 | SINGLE | 1642.0 | 0.0 | 1925.0 | 1359.0 | 145.5 | 235.0 | 355.5 | 283.0 | | |
| | LT225/75R16 | 5600-7200 | SINGLE | 1614.0 | 44.0 | 1853.0 | 1375.0 | 151.5 | 219.0 | 384.0 | 239.0 | | |
| | LT245/75R16 | 6200-7200 | SINGLE | 1614.0 | 44.0 | 1870.0 | 1358.0 | 142.5 | 232.0 | 400.0 | 256.0 | | |
| | LT265/75R16 | 5600-6600 | SINGLE | 1614.0 | 44.0 | 1890.0 | 1338.0 | 131.5 | 241.0 | 413.5 | 276.0 | | |
| | LT225/75R16 | 6100-7200 | SINGLE | 1602.0 | 50.0 | 1841.0 | 1363.0 | 145.5 | 218.0 | 384.0 | 239.0 | | |
| | LT245/75R16 | 6200-7200 | SINGLE | 1602.0 | 50.0 | 1858.0 | 1346.0 | 136.5 | 232.0 | 400.0 | 256.0 | | |
| | LT265/75R16 | 6100-6600 | SINGLE | 1602.0 | 50.0 | 1878.0 | 1326.0 | 125.5 | 249.0 | 413.5 | 276.0 | | |
| | LT245/75R16 | 6600 | SINGLE | 1602.0 | 50.0 | 1858.0 | 1346.0 | 136.5 | 232.0 | 400.0 | 256.0 | | |



SECTION A-A
ROTATED 90°

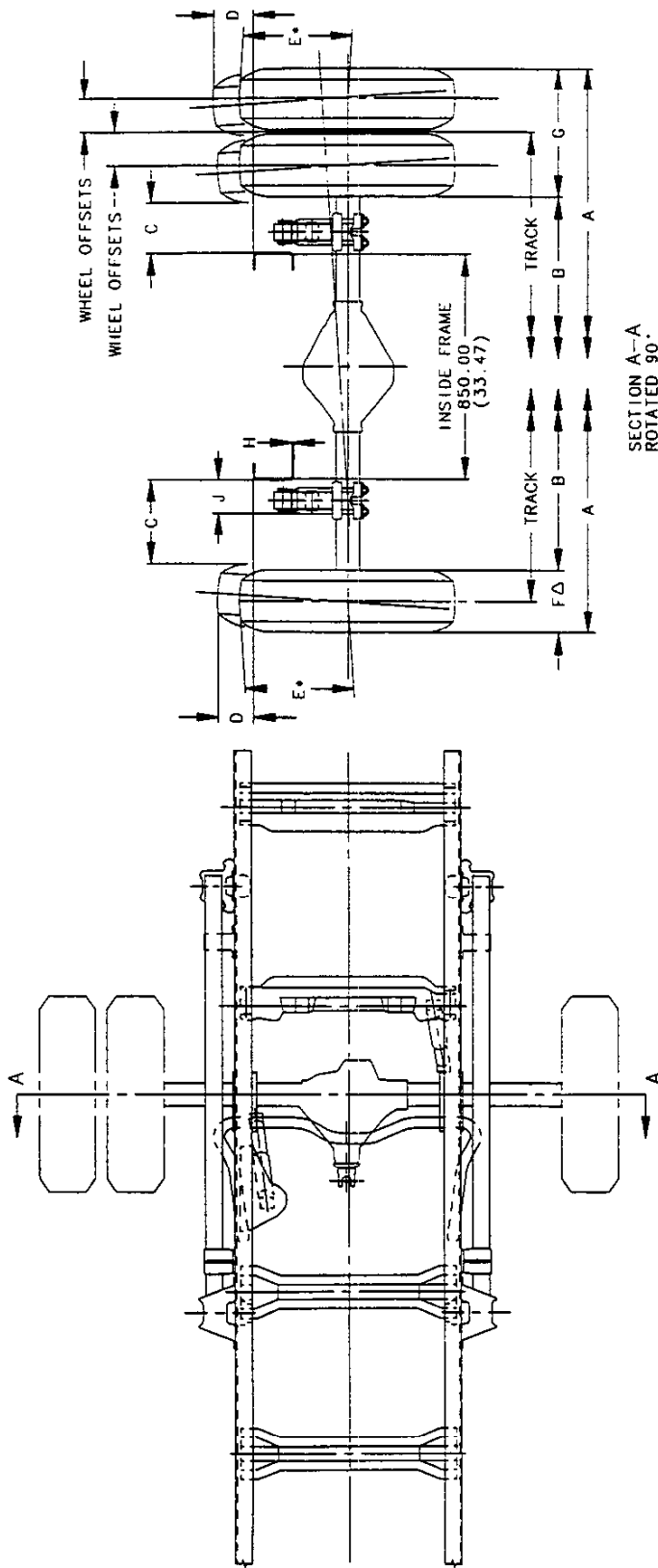
FOR DUAL WHEELS G =
(2*WHEEL OFFSETS)+F
SINGLE WHEELS
A = TRACK + F
B = TRACK - F
DUAL WHEELS
A = TRACK + G
B = TRACK - G

TIRE CHAINS NOT TO BE USED
WITH K1500 AND LT265/75R16 TIRES OR
RPO R05 DUAL REAR WHEELS

* MAX GROWN TIRE RADIUS ON NARROWEST RIM
△ MAX GROWN TIRE WIDTH ON WIDEST RIM

() = INCHES
RR AXLE 9.5" RING GEAR
● RR AXLE 10.5" RING GEAR

| SERIES | TIRES | GVW RANGE | REAR WHEEL | TRACK | WHEEL OFFSET | DIM A | DIM B | DIM C | DIM D | DIM E * | DIM F △ | DIM G |
|--------|-------------|-----------|------------|--------|--------------|--------|--------|-------|-------|---------|---------|-------|
| C2500 | LT225/75R16 | 7200 | SINGLE | 1616.0 | 13.0 | 1855.0 | 1377.0 | 150.0 | 253.0 | 384.0 | 239.0 | 490.0 |
| | LT245/75R16 | 7200 | SINGLE | 1616.0 | 13.0 | 1872.0 | 1360.0 | 141.5 | 270.5 | 400.0 | 256.0 | 490.0 |
| K2500 | LT225/75R16 | 7200 | SINGLE | 1622.0 | 50.0 | 1861.0 | 1383.0 | 153.0 | 223.5 | 384.0 | 239.0 | 490.0 |
| | LT245/75R16 | 7200 | SINGLE | 1622.0 | 50.0 | 1878.0 | 1366.0 | 144.5 | 238.0 | 400.0 | 256.0 | 490.0 |
| C2500 | LT245/75R16 | 8600 | SINGLE | 1624.0 | 17.0 | 1880.0 | 1386.0 | 153.5 | 221.0 | 400.0 | 256.0 | 490.0 |
| K2500 | LT245/75R16 | 8600 | SINGLE | 1624.0 | 17.0 | 1880.0 | 1386.0 | 153.0 | 212.5 | 400.0 | 256.0 | 490.0 |
| C2500 | LT245/75R16 | 8600 | SINGLE | 1652.8 | 17.0 | 1908.8 | 1414.8 | 167.9 | 221.0 | 400.0 | 256.0 | 490.0 |
| K2500 | LT245/75R16 | 8600 | SINGLE | 1652.8 | 17.0 | 1908.8 | 1414.8 | 167.9 | 217.5 | 400.0 | 256.0 | 490.0 |
| C3500 | LT245/75R16 | 9000-9600 | SINGLE | 1634.0 | 17.0 | 1890.0 | 1396.0 | 158.0 | 221.0 | 400.0 | 256.0 | 490.0 |
| K3500 | LT245/75R16 | 9200 | SINGLE | 1634.0 | 17.0 | 1890.0 | 1396.0 | 158.0 | 217.5 | 400.0 | 256.0 | 490.0 |
| C3500 | LT225/75R16 | 10000 | DUAL | 1853.0 | 127.0 | 2343.0 | 1363.0 | 160.0 | 171.0 | 384.0 | 236.0 | 490.0 |
| | 7.50 X 16LT | 10000 | DUAL | 1853.0 | 127.0 | 2343.0 | 1363.0 | 160.0 | 201.5 | 430.0 | 236.0 | 490.0 |
| K3500 | LT225/75R16 | 10000 | DUAL | 1853.0 | 127.0 | 2343.0 | 1363.0 | 160.0 | 161.5 | 384.0 | 236.0 | 490.0 |
| | 7.50 X 16LT | 10000 | DUAL | 1853.0 | 127.0 | 2343.0 | 1363.0 | 160.0 | 192.0 | 430.0 | 236.0 | 490.0 |



SECTION A--A
ROTATED 90°

G = (2 * WHEEL OFFSET) + F
A = TRACK + G
B = TRACK - G

() = INCHES * MAX CROWN TIRE RADIUS ON NARROWEST RIM

Δ MAX CROWN TIRE WIDTH WITH WIDEST RIM

OPT QTY WIDE TRACK

Φ SPECIAL EQUIP. OPT. 859

| SERIES | TIRES | GW RANGE | REAR WHEEL | TRACK | WHEEL OFFSET | DIM A | DIM B | DIM C | DIM D | DIM E * | DIM F Δ | DIM G | DIM H | DIM J |
|---------|-------------|----------|------------|---------|--------------|---------|---------|-------|-------|---------|---------|-------|-------|-------|
| C3500 | LT245/75R16 | 9,000 | SINGLE | 1705.36 | 17.0 | 1961.36 | 1449.36 | 277.0 | 174.0 | 400.0 | 256.0 | — | 6.6 | 126.3 |
| K3500 | LT245/75R16 | 9,500 | SINGLE | 1705.36 | 17.0 | 1961.36 | 1449.36 | 277.0 | 174.0 | 400.0 | 256.0 | — | 6.6 | 126.3 |
| C3500 | LT225/75R16 | 10,000 | DUAL | 1649.52 | 127.0 | 2139.52 | 1159.52 | 133.7 | 162.3 | 384.0 | 236.0 | 490.0 | 6.6 | 126.3 |
| W/O GTY | 7.50 X 16LT | 11,000 | DUAL | 1649.52 | 127.0 | 2139.52 | 1159.52 | 133.7 | 160.5 | 430.0 | 236.0 | 490.0 | 6.6 | 126.3 |
| K3500 | LT225/75R16 | 12,000 | DUAL | 1649.52 | 127.0 | 2139.52 | 1159.52 | 133.7 | 193.1 | 384.0 | 236.0 | 490.0 | 6.6 | 126.3 |
| W/O GTY | 7.50 X 16LT | 12,000 | DUAL | 1649.52 | 127.0 | 2139.52 | 1159.52 | 133.7 | 162.3 | 430.0 | 236.0 | 490.0 | 6.6 | 126.3 |
| C3500 | LT225/75R16 | 11,000 | DUAL | 1852.92 | 127.0 | 2342.92 | 1362.92 | 235.0 | 193.1 | 384.0 | 236.0 | 490.0 | 6.6 | 126.3 |
| W/ GTY | 7.50 X 16LT | 11,000 | DUAL | 1852.92 | 127.0 | 2342.92 | 1362.92 | 235.0 | 167.6 | 430.0 | 236.0 | 490.0 | 6.6 | 126.3 |
| K3500 | LT225/75R16 | 12,000 | DUAL | 1852.92 | 127.0 | 2342.92 | 1362.92 | 235.0 | 200.7 | 384.0 | 236.0 | 490.0 | 6.6 | 126.3 |
| W/ GTY | 7.50 X 16LT | 12,000 | DUAL | 1852.92 | 127.0 | 2342.92 | 1362.92 | 235.0 | 188.4 | 430.0 | 236.0 | 490.0 | 6.6 | 126.3 |
| C3500 | 225/70R19.5 | 15,000 | DUAL | 1696.20 | 127.0 | 2178.20 | 1214.20 | 157.2 | 195.0 | 408.1 | 228.0 | 482.0 | 6.6 | 140.3 |



•
•



S-10 PICKUP INTRODUCTION

S-10 PICKUP

The 1995 Chevrolet S-10 Pickup is available in both regular and extended-cab versions, in two-wheel or four-wheel drive configurations. The S-10 Pickup is available in two trim levels: the "Standard" trim and the luxury-level "LS" trim.

Changes on the S-10 Pickup for 1995 include:

- 2.2L (LN2) Engine enhancements
- 4.3L V6 engine enhancements
- A Wide Stance Sport Performance package (ZR2) for the T10653 model provides a unique frame for a 100 mm wider track than the standard model. This package includes extra wide wheelhouse flares on front and rear, as well as unique front fender and pickup box outer panels
- 2-sided Key for simplified entry and key lockup of vehicle is standard on all models.
- Standard below-eye-line Exterior Rear View Mirror
- Standard Air Bag on the Driver's side
- Standard ETR AM/FM Stereo with digital clock
- Optional 60/40 split bench includes armrest with storage compartments and dual cupholders
- Manually adjusted lumbar support control is added to driver and passenger bucket seats (AV5)
- New sunshades include a storage strap on the driver's side. Passenger side receives a vanity mirror on base trim—YC3 includes slider extensions and driver and passenger illuminated vanity mirrors
- Automatic transmission improved for a smoother shift
- Improved cable operation on Cruise Control
- Improved Chassis Packages
- New 15 x 7 Steel Wheels and Hub Caps for 4WD and new 15 x 7 Aluminum Wheels and Hub Caps for 4WD uplevel trims
- Standard P205/75R15 Tires
- Optional Remote Keyless Entry
- New Backlit Power Window and Door Lock Switches
- New 7-wire Trailering Wire Harness

S-10 PICKUP

MODEL SELECTION SUMMARY

Use the chart below to choose the model that fits your customer's needs. Note that the Maximum Payload is based on curb weight. Also, the Maximum Gross Trailer Weight is based on vehicles that are properly equipped. See your 1995 Chevrolet Truck Order Guide for specific details.

| SERIES | MODEL NUMBER/ BODY CODE/ OPTION CODE | PASSENGER CAPACITY (STD./OPT.) | STANDARD ENGINE/ TRANS. | OPTIONAL ENGINE/ TRANS. | GVWR (LB) | GAWR (LB) FRONT/ REAR | MAXIMUM PAYLOAD (LB) BASED ON CURB WT. | MAX. GROSS TRAILER WT./ TONGUE LOAD (LB) PROPERLY EQUIPPED |
|--|---|-----------------------------------|----------------------------|--|--------------|--------------------------------|---|--|
| TWO-WHEEL DRIVE MODELS | | | | | | | | |
| S-10 4x2 REGULAR CAB PICKUPS | | | | | | | | |
| S-10 SHORT BOX | CS 10603/E63 Z83/QCE/QCA | 3/2 | 2.2L L4/M5 | 2.2L L4/A ¹ 4.3L V6/M5/A4 ¹ 4.3L V6/A ² | 4200 | 2500/2300 | 1257 | 2000/200 6000/750 6000/750 |
| S-10 SHORT BOX W/OPT. CHASSIS PACKAGE | CS 10603/E63 Z85/QCE/QCA or ZQ8/QPP | 3/2 | 2.2L L4/M5 | 2.2L L4/A ¹ 4.3L V6/M5/A4 ¹ 4.3L V6/A ² | 4600 | 2500/2700 | 1654 (Z85) 1631 (ZQ8) | 2000/200 6000/750 6000/750 |
| S-10 LONG BOX | CS 10803/E63 Z85/QCE/QCA | 3/2 | 2.2L L4/M5 | 2.2L L4/A ¹ | 4600 | 2500/2700 | 1606 | 2000/200 |
| S-10 LONG BOX | CS 10803/E63 Z85/QCE/QCA | 3/2 | 4.3L V6/M5 | 4.3L V6/A ¹ 4.3L V6/A ² | 4900 | 2500/2700 | 1715 | 6000/750 6000/750 |
| S-10 4x2 EXTENDED CAB PICKUPS | | | | | | | | |
| S-10 EXTENDED CAB SHORT BOX | CS 10653/E63 Z85/QCE/QCA | 5/4 | 2.2L L4/M5 | 2.2L L4/A ¹ 4.3L V6/M5/A4 ¹ 4.3L V6/A ² | 4600 | 2500/2700 | 1460 | 2000/200 6000/750 6000/750 |
| FOUR-WHEEL DRIVE MODELS | | | | | | | | |
| S-10 4x4 REGULAR CAB PICKUPS | | | | | | | | |
| S-10 SHORT BOX | CT 10603/E63 Z83/QCE/QCA/QJL or ZR2/QJJ | 3/2 | 4.3L V6/M5 | 4.3L V6/A4 4.3L V6/A ² | 4650 | 2700/2300 | 1400 (Z83) 1340 (ZR2) | 5500/650 5500/650 |
| S-10 SHORT BOX W/OPT. CHASSIS PACKAGE | CT 10603/E63 ZM6/QEB or Z85/QEB/QBF | 3/2 | 4.3L V6/M5 | 4.3L V6/A4 4.3L V6/A ² | 5150 | 2700/2700 | 1390 (ZM6) 1350 (Z85) | 5500/650 5500/650 |
| S-10 LONG BOX | CT 10803/E63 Z85/QEB/QBF | 3/2 | 4.3L V6/M5 | 4.3L V6/A4 4.3L V6/A ² | 5150 | 2700/2700 | 1305 | 5500/650 5500/650 |
| S-10 4x4 EXTENDED CAB PICKUPS | | | | | | | | |
| S-10 EXTENDED CAB SHORT BOX | CT 10653/E63 Z83/QCA/QCE/ QJL | 5/4 | 4.3L V6/M5 | 4.3L V6/A4 4.3L V6/A ² | 4650 | 2700/2300 | 1381 | 5500/650 5500/650 |
| S-10 EXTENDED CAB SHORT BOX W/OPT. CHASSIS PACKAGE | CT 10653/E63/ ZR2/QJJ | 5/4 | 4.3L V6/M5 | 4.3L V6/A4 4.3L V6/A ² | 4900 | 2700/2700 | 1300 | 5500/650 5500/650 |
| S-10 EXTENDED CAB SHORT BOX W/OPT. CHASSIS PACKAGE | CT 10653/E63/ Z85/QBF/QEB | 5/4 | 4.3L V6/M5 | 4.3L V6/A4 4.3L V6/A ² | 5150 | 2700/2700 | 1276 | 5500/650 5500/650 |
| S-10 EXTENDED CAB SHORT BOX W/OPT. CHASSIS PACKAGE | CT 10653/E63/ ZM6/QEB | 5/4 | 4.3L V6/M5 | 4.3L V6/A4 4.3L V6/A ² | 5150 | 2700/2700 | 1202 | 5500/650 5500/650 |

¹4.3L V6 CPI (L35)

S-10 PICKUP

POWERTRAINS

Chevrolet offers a variety of engines, transmissions and axle ratios for the S-10 Pickup. The following charts detail basic engine, transmission and axle specifications. See your 1995 Chevrolet Truck Order Guide for specific details.

| ENGINES | | | |
|--|---------------|----------------|----------------|
| | 2.2L L4 | 4.3L V6 | 4.3L V6 |
| Engine Order Code | LN2 | LB4 | L35 |
| Availability | S-10 4x2 only | All models | All models |
| SAE Net Horsepower @ rpm | 118 @ 5200 | 135 @ 4000 | 131 @ 4500 |
| SAE Net Torque lb ft @ rpm | 130 @ 2800 | 235 @ 2400 | 260 @ 3400 |
| Fuel System | MFI | TBI | CPI |
| Clutch Size in. (mm) | 9.13 (232 mm) | 11.02 (280 mm) | 11.02 (280 mm) |
| Standard Battery Cold Cranking Amps @ 0° F | 525 | 525 | 525 |
| Standard Alternator Max. Cap. (Amps) | 100 | 100 | 100 |

| TRANSMISSIONS | | | |
|---------------------------------|----------------------------|--------------------------------------|---|
| | MANUAL | | AUTOMATIC |
| | MANUAL 5-SPEED W/OVERDRIVE | MANUAL 5-SPEED W/OVERDRIVE (NVG3500) | ELECTRONIC AUTOMATIC 4-SPEED OVERDRIVE W/TORQUE CONVERTER CLUTCH (4L60-E) |
| Transmission Order Code | MW1 | M50 | M30 |
| Engine Application (Order Code) | 2.2L L4 (LN2) | 4.3L V6 (LB4/L35) | 2.2L L4/4.3L V6 (LN2/LB4/L35) |
| Synchronized Speeds | 1/2/3/4/5 | 1/2/3/4/5 | — |
| Gear Ratios | | | |
| First | 4.03 | 3.49 | 3.06 |
| Second | 2.37 | 2.16 | 1.63 |
| Third | 1.49 | 1.40 | 1.00 |
| Fourth | 1.00 | 1.00 | 0.70 |
| Fifth | 0.86 | 0.78 | — |
| Reverse | 3.76 | 3.55 | 2.29 |
| Shaft Center Distance (mm) | 77 | 85 | — |

| AXLES | | | | | | | |
|---------------------------|-----------|-------------------|-------------------|---------|-----------------------|------|------|
| | REAR AXLE | | | | FRONT AXLE (4X4 ONLY) | | |
| | 4.3L V6 | 4.3L V6 | 2.2L L4/4.3L V6 | 2.2L L4 | 4.3L V6 | | |
| Make | GM | | | | GM | | |
| Capacity (lb) | 2900 | | | | 2700 | | |
| Pinion and Ring Gear Type | Hypoid | | | | Hypoid | | |
| Engine Availability | 4.3L V6 | 4.3L V6 | 2.2L L4/4.3L V6 | 2.2L L4 | 4.3L V6 | | |
| Axle Ratio Code | GU4 | GU6 | GT4 | GT5 | GU4 | GU6 | GT4 |
| Ratio | 3.08 | 3.42 | 3.73 | 4.10 | 3.08 | 3.42 | 3.73 |
| Pinion Teeth | 13 | 12 | 11 | 10 | 13 | 12 | 11 |
| Ring Gear Teeth | 40 | 41 | 41 | 41 | 40 | 41 | 41 |
| Ring Gear Diameter (in.) | 7.62 | 7.62 ² | 7.62 ¹ | 7.62 | 7.25 | 7.25 | 7.25 |

Note: Axle Ratio availability depends on model, powertrain and emissions selected. See your 1995 Chevrolet Truck Order Guide for details.

¹ZR2 Wide Stance uses 8.5 in. ring gear diameter.

²L35 w/manual transmission uses 8.5 in. ring gear diameter w/GU4/G80.

S-10 PICKUP

TRIM LEVELS

Chevrolet offers S-10 Pickup Regular Cab in two trim levels: "Standard" and "LS." The "LS" trim level is standard on Extended Cab models. The following chart details major standard features. See your 1995 Chevrolet Truck Order Guide for specific details.

| CHASSIS EQUIPMENT | | STANDARD (BASE) REG. CAB ONLY | LS (YC3) |
|--|--|----------------------------------|----------|
| KEY: ■ = STANDARD, — = NOT INCLUDED | | | |
| BRAKES | Vacuum Power; front disc, rear drum. Includes rear-wheel anti-lock system on four cylinder engine models and four-wheel anti-lock system on six cylinder engine models. | ■ | ■ |
| FRAME | All-welded ladder-type, channel design and boxed front-end section. | ■ | ■ |
| FUEL TANK | 20 gallon (approx.) capacity. | ■ | ■ |
| REAR AXLE | Hypoid, semi-floating. | ■ | ■ |
| SHOCK ABSORBERS | Front: 32 mm; Rear: 32 mm, 46mm Front and Rear with ZM6 and ZR2 Chassis Package. | ■ | ■ |
| STABILIZER BAR | Front: 25 mm with Z83 and ZM6 Chassis Package. Front: 28 mm with Z83 (4WD) Z85 (4WD) and ZR2 Chassis Package. Front: 29 mm with Z85 (2WD) and ZQ8 Chassis Package. | ■ | ■ |
| STEERING | Variable integral power. Ratio 15/13:1. | ■ | ■ |
| SUSPENSION, FRONT | 4x2: Independent with computer-selected coil springs. 4x4: Independent with computer-selected torsion bars. | ■ | ■ |
| SUSPENSION, REAR | Two-stage semi-elliptic multi-leaf springs. | ■ | ■ |
| TOW HOOKS | Two front-mounted on 4x4 only. | ■ | ■ |

| EXTERIOR EQUIPMENT | | STANDARD (BASE) REG. CAB ONLY | LS (YC3) |
|-------------------------------------|---|----------------------------------|----------|
| AIR DAM | Matches bumper color. | ■ | ■ |
| BUMPERS, FRONT AND REAR-STEP | Dark gray with color-keyed end caps. Color-keyed with color-keyed end caps on 2WD models. Dark gray with dark gray end caps on 4WD models. ZY7 Paint - body color on two and four-wheel drive. | ■ | ■ |
| GLASS | Tinted Solar-Ray™. | ■ | ■ |
| GRILLE | Dark gray. Chrome and Spectra Gray. Bright deluxe front application package. | ■ | ■ |
| HEADLAMPS | Single rectangular halogen. Sealed beam. | ■ | ■ |
| HORN | Dual note. | ■ | ■ |
| INSULATION | Under-hood. | ■ | ■ |
| LAMPS | Engine compartment and center high-mounted stop lamp. | ■ | ■ |
| LICENSE PLATE | Front bracket. | ■ | ■ |
| MIRRORS | Black RH and LH below-eye-line-type. Head size 5.5" x 7.5". | ■ | ■ |
| MOLDING | Black windshield surround. | ■ | ■ |
| PICKUP BOX | Two-tier loading with cargo tie-down loops in each corner. | ■ | ■ |
| SPARE TIRE AND WHEEL | Full-size spare tire and wheel mounted under bed. | ■ | ■ |
| SPARE TIRE CARRIER | Winch-type carrier mounted under frame at rear. | ■ | ■ |
| TIRES | P205/75R15 BW all-season steel-belted radials. | ■ | ■ |
| WHEELS | 15.0" x 7.0" steel painted argent with black center cap (2-wheel drive model). 15.0" x 7.0" steel painted argent with black center cap and trim rings (2-wheel drive model). 15.0" x 7.0" steel painted silver with black center cap and trim ring (4-wheel drive model). | ■ | ■ |
| WINDSHIELD WIPERS | Adjustable intermittent with dual fluidic nozzles. | ■ | ■ |
| WIRING | 7-lead wiring harness for trailering purposes. | ■ | ■ |

| INTERIOR EQUIPMENT | | STANDARD (BASE) REG. CAB ONLY | LS (YC3) |
|--------------------------|--|----------------------------------|----------|
| AIR BAG | Driver's side. | ■ | ■ |
| ARMRESTS | RH and LH padded integral with door panels. | ■ | ■ |
| CAB BACK PANELS | Carpeted. Includes Scotchgard™ Protection. | ■ | ■ |
| CIGARETTE LIGHTER | Located on instrument panel. Includes ashtray light. Located on instrument panel. Includes ashtray light and two auxiliary power outlets. | ■ | ■ |
| COAT HOOKS | RH and LH on Regular Cab models. Foldaway on Extended Cab models. | ■ | ■ |
| DOME LAMP | Door-operated with front floor courtesy lamp. | ■ | ■ |
| DOOR SILL PLATE | Black. | ■ | ■ |
| DOOR PANELS | One-piece molded plastic with integral armrests. LH and RH molded pockets. Molded plastic with soft cloth upper insert, integral armrests. LH and RH molded pockets. | ■ | ■ |
| FLOOR COVERING | Embossed dark gray full floor vinyl mat. Color-keyed full floor carpeting with Scotchgard™. | ■ | ■ |
| GAGES | Including voltmeter, oil pressure and engine temperature gages, fuel gage, two odometer and speedometer, warning lights for seat belts, parking brake, direction/hazard signals and high beam. | ■ | ■ |
| GLOVE BOX | Non-locking with door activated light and cupholders. | ■ | ■ |
| GRAB HANDLE | Passenger side. | ■ | ■ |

S-10 PICKUP

| INTERIOR EQUIPMENT (CONT.) | | STANDARD (BASE) REG. CAB ONLY | LS (YC3) |
|--|---|-------------------------------|----------|
| KEY: ■ = STANDARD, — = NOT INCLUDED | | | |
| HEADLAMP WARNING BUZZER | Headlamps on. | ■ | ■ |
| HEATER | Deluxe with windshield and side window defoggers. | ■ | ■ |
| HEADLINER | Full coverage, foam backed with color-keyed cloth cover. | ■ | ■ |
| INSULATION | Provided on dash panel, doors, cab back, hood and front floor. Additional insulation on instrument panel and cowl-to-fender seals. | — | ■ |
| MIRRORS | 10-inch rearview. 10-inch rearview mirror with dual reading lamps and illuminated entry feature. | ■ | — |
| RADIO | ETR AM/FM stereo with digital clock, two 4" x 6" diameter front dash speakers and two 6" diameter door speakers. (two 6" diameter door speakers and two 4" x 10" speakers located in the rear quarter panel trim on Ext. Cab) | ■ | ■ |
| SEATS | 3-passenger front bench with choice of Custom Vinyl or Custom Cloth with folding backrest and head restraints with dual cupholders. Scotchgard™ on all cloth seats. 60/40 Deluxe Cloth split bench with recliners. Includes armrests and dual cupholders. Extended-Cab models include armrest with storage compartment and dual cupholders passenger side easy entry feature and rear vinyl folding jump seats. | ■ | — |
| STEERING WHEEL | Deluxe four-spoke, black. | ■ | ■ |
| STOWAGE BOX | In instrument panel under radio. | ■ | ■ |
| SUNSHADES | RH and LH padded, color-keyed cloth with map strap and RH vanity mirror. RH and LH padded, color-keyed cloth includes slider extensions and RH and LH illuminated vanity mirrors. | ■ | — |
| TOOLS | Mechanical jack and wheel wrench located in storage compartment on floor behind front seat. Cover includes drink holders on Ext. Cabs. | ■ | ■ |
| WINDOWS | Extended Cab: Swing-out rear quarter windows. | — | ■ |

PREFERRED EQUIPMENT GROUPS

Preferred Equipment Groups (PEGs) are convenient option packages that can save your customers money. They would pay appreciably more by buying all the options in a Preferred Equipment Group as individual options. (Savings based on a comparison of Manufacturer's Suggested Retail Price of option packages versus MSRP of individual options purchased separately). See your 1995 Chevrolet Truck Order Guide and Vehicle Price Schedule for specific information and prices.

OPTIONS

These options can be ordered individually in addition to the Preferred Equipment Groups, if not already included. See your 1995 Chevrolet Truck Order Guide for specific availability and restrictions. The Option Code is listed in **bold**.

| | | | | | |
|---|------------|---|------------|--|------------|
| Air Conditioning | C60 | Emissions Systems: | YF5 | Sport Two-Tone | ZY7 |
| Air Dam w/Fog Lamps (4x2 only) | ANL | California | FE9 | Radio Equipment: | |
| Axle, Rear: | | Federal | NG1 | Radio Delete | |
| 3.08 Ratio | GU4 | Massachusetts | NC7 | Radio Delete w/PEG 1063 only | UL5 |
| 3.42 Ratio | GU6 | Federal Emissions Override | NB8 | TRM/FM Stereo w/Seek-Scan, No Data Clock/Requires PEG 1063 | UM7 |
| 3.73 Ratio | GT4 | Cal./Massachusetts Emissions Override .. | | ETR AM/FM Stereo Radio w/Seek-Scan, Stereo Cassette/Digital Clock and four speakers | UM6 |
| 4.10 Ratio (S10 only) | GT5 | Engines: | LN2 | ETR AM Stereo/FM Stereo Radio w/Seek- Scan/Stereo Cassette w/Search/Repeat, Graphic Equalizer/Digital Clock and four speakers | UX1 |
| Locking Differential | G80 | 2.2L MFI L4 | LB4 | ETR AM/FM Stereo Radio w/Digital Clock, Seek-Scan, Compact Disc Player and four speakers | U1C |
| Battery, Heavy Duty (690 CCA) | UA1 | 4.3L TBI V6 | L35 | Seat Options: | |
| Bumper Delete, Rear Step | VF7 | 4.3L CPI V6 | | Bench Seat | A52 |
| Chassis Packages: | | Exterior Appearance Package, (Includes front and rear color-keyed bumpers with color-keyed end caps, dark gray rub strips and bright inserts. Also includes dark gray bodyside moldings with bright insert and bright wheel opening moldings and "CHEVROLET" tailgate applique) | YC5 | 60/40 Reclining Split Bench (requires YC3/YC5) (N/A CT10653 with ZR2) | AM6 |
| Wide Stance, Sport Performance (CT10603 Reqs. 4650) (CT10653 Reqs. 4900 GVWR) | ZR2 | Floor Mats, front | B32 | Reclining High Back Bucket Seats | AV5 |
| Increased Capacity, (Reqs. 4600, 4900 or 5150 GVWR) | Z85 | GWR Ratings: | C5T | Shield Package (4x4 only. Includes transfer case and front differential skid plates, fuel tank and steering linkage shields) | ZM5 |
| Off Road, (T10 only) (Reqs. 5150 GVWR— N/A CT10803) | ZM6 | 4200 lb | C5D | SS Sport Package, (CS10603 only) (Reqs L35 Engine and M30 Trans) (see Order Guide for detailed description) | B4U |
| Solid /Smooth Ride, (N/A CT10803 or S10803/S10653) | Z83 | 4600 lb | C5X | | |
| Sport, (S10603 only) (Reqs. YC3 or YC5 and 4600 GVWR) | ZQ8 | 4650 lb | C5A | | |
| Cold Climate Package (includes Heavy- Duty battery, engine block heater) | V10 | 4900 lb | C6F | | |
| Convenience Groups: | | 5150 lb | AU0 | | |
| Tilt-Wheel™ and Speed control | ZQ3 | Lock Remote Keyless Entry System | | | |
| Power door locks, power windows and electric remote mirrors | ZQ6 | Paint, Exterior: | ZY1 | | |
| | | Solid | ZY3 | | |
| | | Special Two-Tone | | | |

S-10 PICKUP

OPTIONS (CONT.)

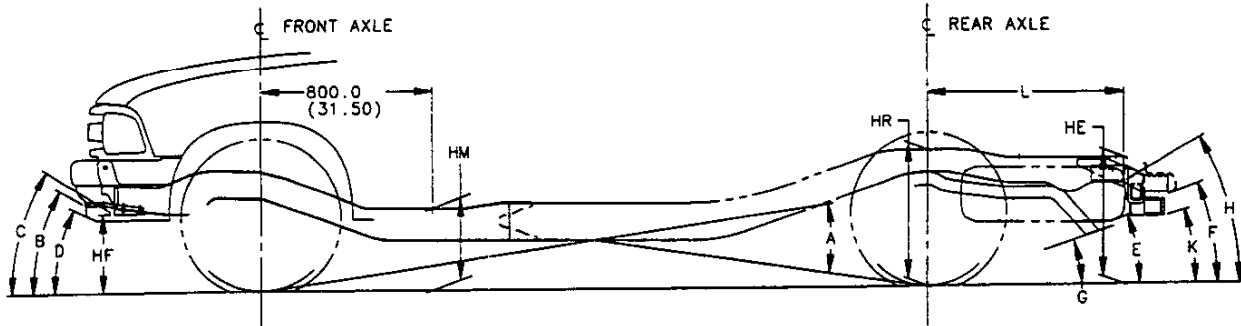
| | | |
|--|--|--|
| Steering Wheel, Leather Wrapped NP5 | Transmissions: | Wheels: |
| Tachometer. (Incl. with L35 Engine) U16 | 5-speed manual OD Borg Warner | Aluminum Argent (4x2 only) N60 |
| Transfer Case, Electronic Shift (4x4 only), instrument panel-mounted shift selection switch NP1 | (Reqs. LN2) MW1 | Cast Aluminum (4x4 only) N90 |
| | 5-speed manual overdrive NVG | Special Aluminum (T10 only) 5P2 |
| | (Reqs. LB4/L35) M50 | Aluminum, Painted Silver PA3 |
| | Electronic automatic 4-speed OD M30 | Window, Sliding Rear A28 |

| TIRES | | |
|--|---------|---------------|
| KEY: ALS = ALL-SEASON SBR = STEEL-BELTED RADIAL PLY BW = BLACKWALL WL = WHITE LETTERED OOR = ON-OFF ROAD WOL = WHITE OUTLINE LETTERED | | |
| TIRE DESCRIPTION | | ORDERING CODE |
| P215/65R15 WL (4X2) | ALS/SBR | QPP |
| P205/75R15 BW | ALS/SBR | QCE |
| P205/75R15 WOL | ALS/SBR | QCA |
| P205/75R15 WL (4X4) | OOR/SBR | QJL |
| P235/70R15 BW (4X4) | ALS/SBR | QBF |
| P235/75R15 WOL (4X4) | OOR/SBR | QEB |
| 31 X 10.5R-15LTC BW | OOR/SBR | QJJ |

DIMENSIONS

| MODEL | S-10 (REGULAR CAB) | S-10 (REGULAR CAB) | S-10 (EXTENDED CAB) | S-10 (REGULAR CAB) | S-10 (REGULAR CAB) | S-10 (EXTENDED CAB) |
|---|-----------------------|-----------------------|------------------------|-----------------------|-----------------------|------------------------|
| MODEL NUMBER | CS10603/E63 | CS10803/E63 | CS10653/E63 | CT10603/E63 | CT10803/E63 | CT10653/E63 |
| EXTERIOR DIMENSIONS | | | | | | |
| BODY | | | | | | |
| Wheelbase (in.) | 108.3 | 117.9 | 122.9 | 108.3 | 117.9 | 122.9 |
| Overall Length (in.) | 193.7 | 204.6 | 203.3 | 193.7 | 204.6 | 203.3 |
| Overall Height (in.) | 62.1 | 62.1 | 62.2 | 63.8 | 65.4 | 63.8 |
| Maximum Width (in.) | 67.9 | 67.9 | 67.9 | 67.9 | 67.9 | 67.9 |
| Bumper to Axle (in.) | | | | | | |
| Front (w/ license bracket) | 34.5 | 34.5 | 34.5 | 34.5 | 34.5 | 34.5 |
| Rear | 45.9 | 52.2 | 45.9 | 45.9 | 52.2 | 45.9 |
| Cab-to-Axle (in.) | 37.4 | 47.1 | 37.4 | 37.4 | 47.1 | 37.4 |
| Cab to End of Frame (in.) | 73.1 | 89.0 | 73.1 | 73.1 | 89.0 | 73.1 |
| Bumper to Back of Cab (in.) | 119.9 | 119.9 | 119.9 | 119.9 | 119.9 | 119.9 |
| Ground to Top of Rear Load Floor (in.) | 19.2 | 19.2 | 19.2 | 19.2 | 19.2 | 19.2 |
| Ground Clearance (in.) | | | | | | |
| Front | 9.2 | 9.2 | 9.2 | 9.2 | 9.2 | 9.2 |
| Rear | 7.2 | 7.2 | 7.2 | 7.5 | 7.5 | 7.5 |
| Turning Diameter Curb-to-Curb (ft.) | 36.9 | 39.8 | 41.3 | 37.3 | 40.2 | 41.6 |
| CARGO BOX | | | | | | |
| Length (in.) at Floor | 72.8 | 88.8 | 72.8 | 72.8 | 88.8 | 72.8 |
| Inside Width at Top Rear (in.) | 54.6 | 54.6 | 54.6 | 54.6 | 54.6 | 54.6 |
| Inside Width at Floor (in.) | 56.5 | 56.5 | 56.5 | 56.5 | 56.5 | 56.5 |
| Inside Width between Wheelhousings (in.) | 40.3 | 40.3 | 40.3 | 40.3 | 40.3 | 40.3 |
| Inside Height (in.) | 17.1 | 17.1 | 17.1 | 17.1 | 17.1 | 17.1 |
| Tailgate Width (in.) | 54.3 | 54.3 | 54.3 | 54.3 | 54.3 | 54.3 |
| Cargo Volume (cu ft) | 39.4 | 48.1 | 39.4 | 39.4 | 48.1 | 39.4 |
| SIGN PANEL AREA (in.) | 15 x 46.25 | 15 x 46.25 | 15 x 66.5 | 15 x 46.25 | 15 x 46.25 | 15 x 66.5 |
| INTERIOR DIMENSIONS | | | | | | |
| CAB | | | | | | |
| Headroom (in.) | 39.5 | 39.5 | 39.6 | 39.5 | 39.5 | 39.6 |
| Legroom (in.) | 42.4 ¹ | 42.4 ¹ | 42.4 ¹ | 42.4 ¹ | 42.4 ¹ | 42.4 ¹ |
| Shoulder Room (in.) | 57.2 | 57.2 | 57.2 | 57.2 | 57.2 | 57.2 |
| Hip Room (in.) | 52.0 | 52.0 | 52.0 | 52.0 | 52.0 | 52.0 |
| Cargo Volume (cu ft) (in-cab storage area) | — | — | 17.3 | — | — | 17.3 |

¹ 43.2 inches with seat in rearmost position.



FRAME HEIGHTS AND LENGTHS

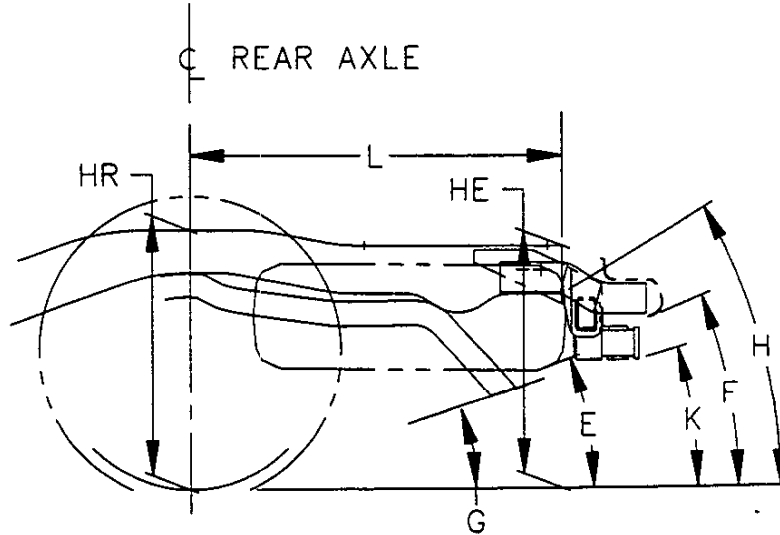
- L** Centerline of axle to end of frame
- HF** Bottom of bumper to ground
- HM** Normal top of frame to ground
- HR** Top of frame to ground at centerline of rear axle
- HE** Top of frame to ground

ANGLE(S)

- A** Ramp breakover

ANGLE(S) (APPROACH)

- B** Tow hooks
- C** Front bumper
- D** Spoiler



ANGLE(S) (DEPARTURE)

- E** Spare tire
- F** Rear bumper
- G** Exhaust
- H** Chassis
- K** Platform hitch

Note: All weights are in pounds and all dimensions are in inches.

| S10603 | | 108.0" Wheelbase | | | | Frame Heights at Base Model Curb Weight | | | | Frame Heights and Angular Dimensions are shown at Maximum GAWR Front and Rear | | | | | | | | | | | | | |
|--------------------|---|------------------------|------|------|------|---|------|------|------|---|------|------|------|------|----|----|----|----|----|----|----|----|---|
| GVW/Tire | L | Base Model Curb Weight | | | GAWR | | HF | HM | HR | HE | HF | HM | HR | HE | A | B | C | D | E | F | G | H | K |
| | | Frt | Rr | Ttl | Frt | Rr | | | | | | | | | | | | | | | | | |
| 4200 P205/75R15 | | 1685 | 1298 | 2988 | 2500 | 2300 | 17.5 | 14.3 | 26.4 | 25.6 | 14.9 | 10.9 | 22.0 | 20.8 | 14 | 25 | 17 | 19 | 16 | 15 | 26 | 14 | |
| 4600 P205/75R15 | | 1878 | 1281 | 3159 | 2500 | 2700 | 16.9 | 14.4 | 27.2 | 26.8 | 15.1 | 11.8 | 23.8 | 23.1 | 17 | 25 | 17 | 23 | 19 | 21 | 30 | 17 | |

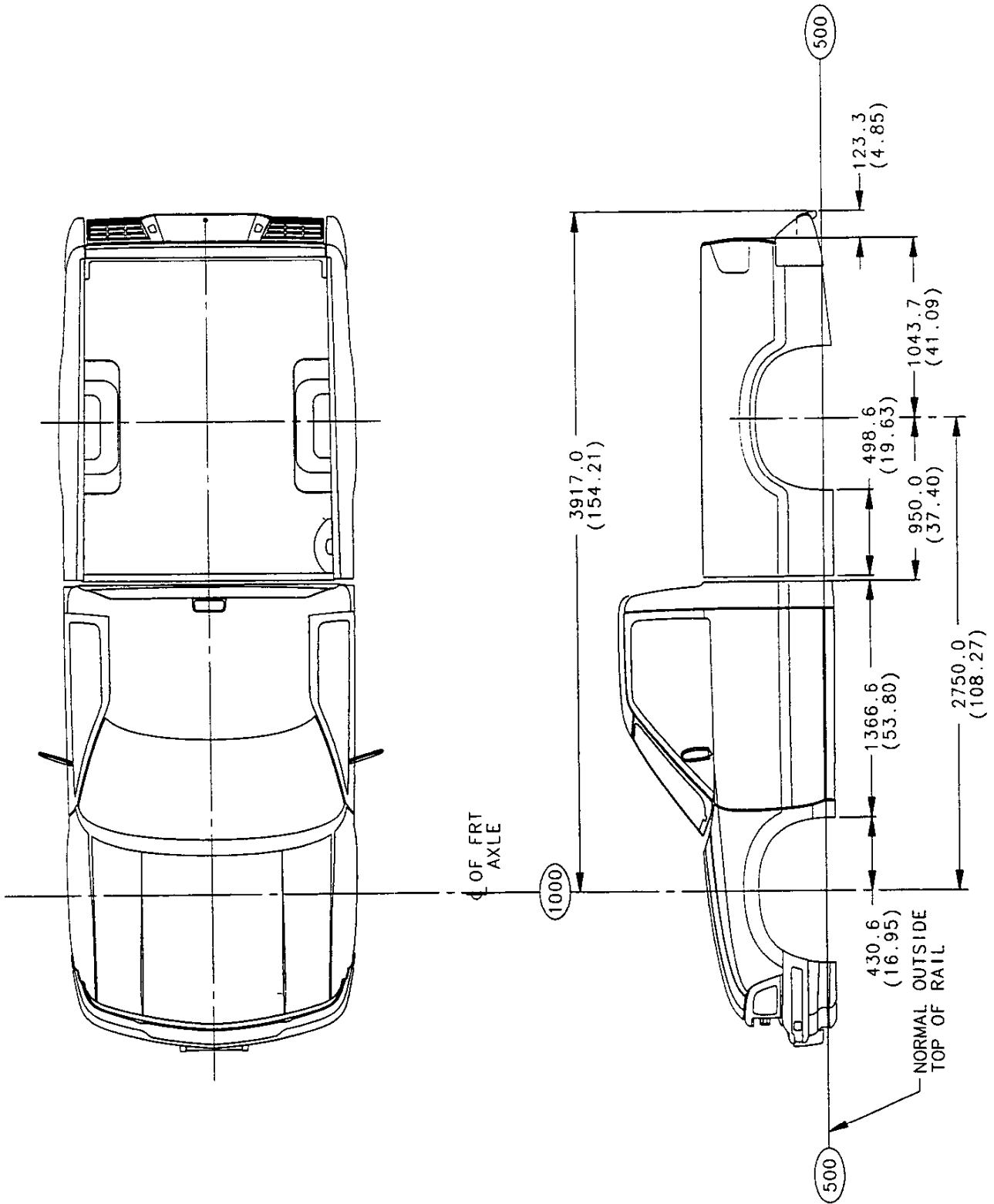
| S10803 | | 118.0" Wheelbase | | | | Frame Heights at Base Model Curb Weight | | | | Frame Heights and Angular Dimensions are shown at Maximum GAWR Front and Rear | | | | | | | | | | | | | |
|--------------------|---|------------------------|------|------|------|---|------|------|------|---|------|------|------|------|----|----|----|----|----|----|----|----|---|
| GVW/Tire | L | Base Model Curb Weight | | | GAWR | | HF | HM | HR | HE | HF | HM | HR | HE | A | B | C | D | E | F | G | H | K |
| | | Frt | Rr | Ttl | Frt | Rr | | | | | | | | | | | | | | | | | |
| 4600 P205/75R15 | | 1722 | 1312 | 3034 | 2500 | 2700 | 17.0 | 14.3 | 27.1 | 26.8 | 14.7 | 11.1 | 22.8 | 22.0 | 14 | 25 | 17 | 18 | 16 | 19 | 24 | 14 | |
| 4900 P205/75R15 | | 1909 | 1276 | 3185 | 2500 | 2700 | 16.7 | 14.1 | 27.2 | 26.9 | 15.4 | 11.5 | 22.8 | 21.7 | 14 | 26 | 18 | 17 | 16 | 18 | 24 | 13 | |

| S10653 | | 123.0" Wheelbase | | | | Frame Heights at Base Model Curb Weight | | | | Frame Heights and Angular Dimensions are shown at Maximum GAWR Front and Rear | | | | | | | | | | | | | |
|--------------------|---|------------------------|------|------|------|---|------|------|------|---|------|------|------|------|----|----|----|----|----|----|----|----|---|
| GVW/Tire | L | Base Model Curb Weight | | | GAWR | | HF | HM | HR | HE | HF | HM | HR | HE | A | B | C | D | E | F | G | H | K |
| | | Frt | Rr | Ttl | Frt | Rr | | | | | | | | | | | | | | | | | |
| 4600 P205/75R15 | | 1809 | 1376 | 3185 | 2500 | 2700 | 17.5 | 14.4 | 26.9 | 26.2 | 15.4 | 11.5 | 22.8 | 21.7 | 14 | 26 | 18 | 21 | 18 | 18 | 28 | 15 | |

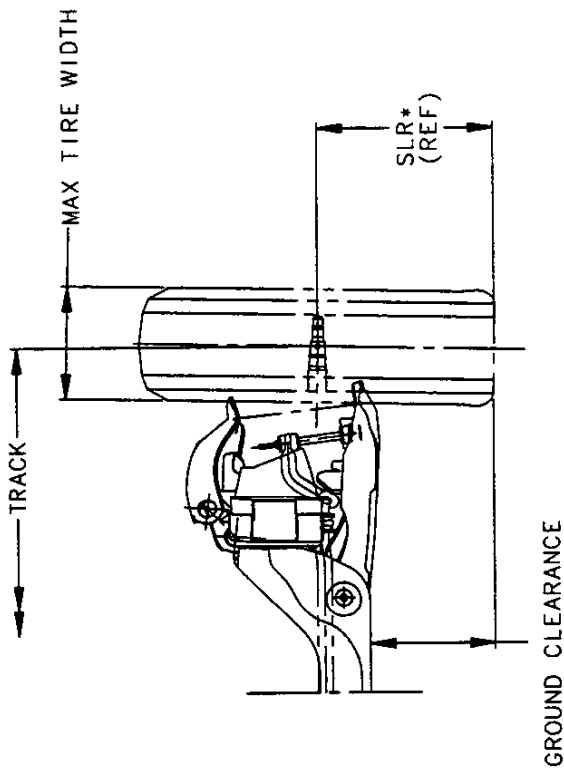
| T10603 | | 108.0" Wheelbase | | | | Frame Heights at Base Model Curb Weight | | | | Frame Heights and Angular Dimensions are shown at Maximum GAWR Front and Rear | | | | | | | | | | | | | |
|--------------------|---|------------------------|------|------|------|---|------|------|------|---|------|------|------|------|----|----|----|----|----|----|----|----|----|
| GVW/Tire | L | Base Model Curb Weight | | | GAWR | | HF | HM | HR | HE | HF | HM | HR | HE | A | B | C | D | E | F | G | H | K |
| | | Frt | Rr | Ttl | Frt | Rr | | | | | | | | | | | | | | | | | |
| 4650 P205/75R15 | | 2147 | 1353 | 3500 | 2700 | 2300 | 19.7 | 16.0 | 27.3 | 26.2 | 18.3 | 13.8 | 24.2 | 22.7 | 16 | 27 | 31 | 24 | 21 | 16 | 18 | 29 | 16 |
| 4650 31X10.5R15 | | 2147 | 1353 | 3500 | 3700 | 2300 | 21.5 | 17.7 | 29.1 | 27.9 | 20.1 | 15.6 | 26.0 | 24.4 | 20 | 30 | 34 | 28 | 24 | 18 | 22 | 32 | 19 |
| 5150 P235/70R15 | | 2149 | 1361 | 3510 | 2700 | 2700 | 20.3 | 16.3 | 27.3 | 26.0 | 19.2 | 13.8 | 23.2 | 21.2 | 15 | 28 | 31 | 24 | 18 | 18 | 15 | 27 | 14 |

| T10803 | | 118.0" Wheelbase | | | | Frame Heights at Base Model Curb Weight | | | | Frame Heights and Angular Dimensions are shown at Maximum GAWR Front and Rear | | | | | | | | | | | | | |
|--------------------|---|------------------------|------|------|------|---|------|------|------|---|------|------|------|------|----|----|----|----|----|----|----|----|----|
| GVW/Tire | L | Base Model Curb Weight | | | GAWR | | HF | HM | HR | HE | HF | HM | HR | HE | A | B | C | D | E | F | G | H | K |
| | | Frt | Rr | Ttl | Frt | Rr | | | | | | | | | | | | | | | | | |
| 5150 P235/75R15 | | 2196 | 1399 | 3595 | 2700 | 2700 | 22.0 | 17.6 | 28.3 | 26.8 | 20.1 | 14.4 | 23.3 | 21.0 | 19 | 30 | 33 | 27 | 15 | 18 | 15 | 23 | 19 |

| T10653 | | 123.0" Wheelbase | | | | Frame Heights at Base Model Curb Weight | | | | Frame Heights and Angular Dimensions are shown at Maximum GAWR Front and Rear | | | | | | | | | | | | | |
|--------------------|---|------------------------|------|------|------|---|------|------|------|---|------|------|------|------|----|----|----|----|----|----|----|----|----|
| GVW/Tire | L | Base Model Curb Weight | | | GAWR | | HF | HM | HR | HE | HF | HM | HR | HE | A | B | C | D | E | F | G | H | K |
| | | Frt | Rr | Ttl | Frt | Rr | | | | | | | | | | | | | | | | | |
| 4650 P205/75R15 | | 2297 | 1426 | 3723 | 2700 | 2300 | 20.1 | 16.0 | 27.1 | 25.7 | 20.7 | 15.2 | 24.2 | 22.1 | 20 | 31 | 34 | 28 | 20 | 22 | 17 | 29 | 25 |
| 4900 31X10.5R15 | | 2352 | 1600 | 3952 | 2700 | 2700 | 22.1 | 17.5 | 27.9 | 26.3 | 22.9 | 16.6 | 24.6 | 22.1 | 22 | 35 | 38 | 33 | 20 | 22 | 17 | 35 | 25 |
| 5150 P235/70R15 | | 2273 | 1475 | 3748 | 2700 | 2700 | 20.7 | 16.3 | 27.0 | 25.5 | 21.6 | 15.2 | 23.2 | 20.7 | 19 | 32 | 35 | 30 | 18 | 20 | 14 | 27 | 22 |



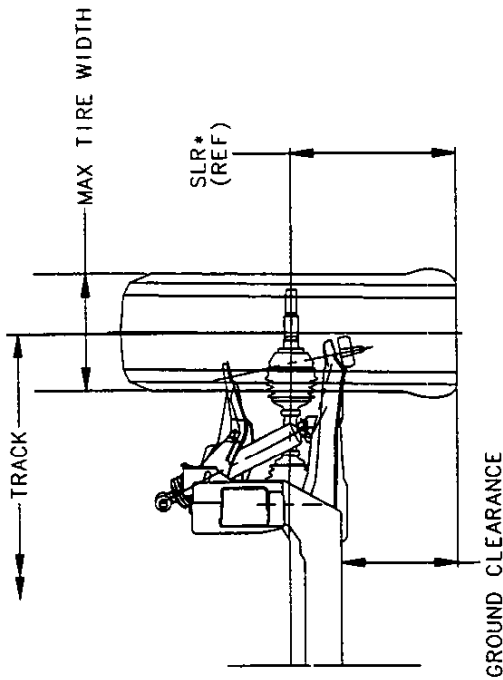
Body ST 10603 Pickup, Regular Cab with Short Box



* MINIMUM GROUND CLEARANCE TO BE CALCULATED BY USING GROSS AXLE WEIGHT AND INFLATING TIRE PRESSURE TO 35 PSI

- ◇ ALL SEASON TIRE
- ON/OFF ROAD TIRE

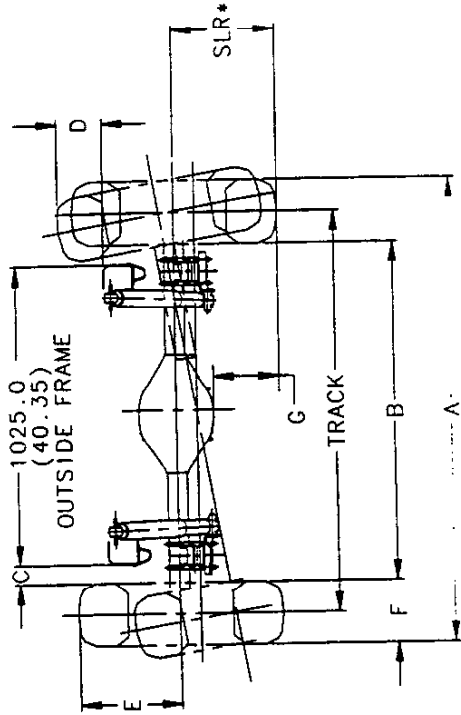
| SERIES | TIRES | SLR | GVW RANGE | TRACK | WHEEL OFFSET | GROUND CLEARANCE | MAX TIRE WIDTH |
|---------|------------|-------|-----------|--------|--------------|------------------|----------------|
| S 10603 | P205/75R15 | 317.0 | 4200 | 1383.6 | 0.0 | 233.5 | 224 |
| | P205/75R15 | 317.0 | 4600 | 1383.6 | 0.0 | 233.5 | 224 |
| | | | | 1396.4 | -6.4 | 233.5 | 224 |
| S 10803 | P215/65R15 | 306.0 | 4600 | 1396.4 | -6.4 | 222.5 | 232 |
| | | | | 1383.6 | 0.0 | 233.5 | 224 |
| | P205/75R15 | 317.0 | 4200-4900 | 1396.4 | -6.4 | 233.5 | 224 |
| S 10653 | P215/65R15 | 306.0 | 4600 | 1396.4 | -6.4 | 222.5 | 232 |
| | | | | 1383.6 | 0.0 | 233.5 | 224 |
| | P205/75R15 | 317.0 | 4600-4900 | 1396.4 | -6.4 | 233.5 | 224 |
| S 10516 | P215/65R15 | 306.0 | 4900 | 1396.4 | -6.4 | 222.5 | 232 |
| | | | | 1396.4 | -6.4 | 215.0 | 224 |
| S 10506 | P205/75R15 | 316.0 | 4785 | 1396.4 | -6.4 | 215.0 | 224 |



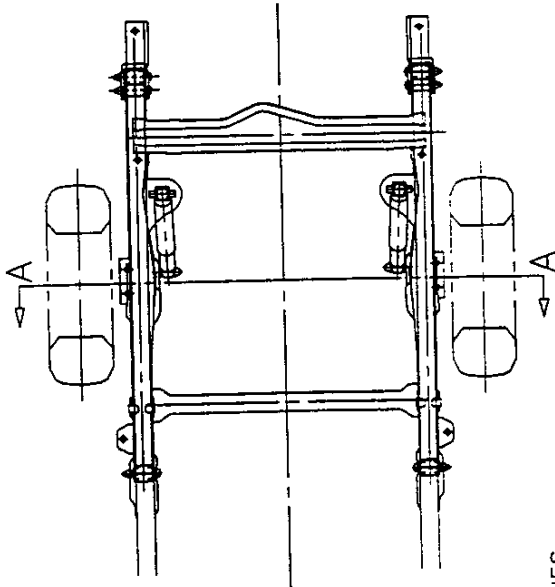
* MINIMUM GROUND CLEARANCE TO BE CALCULATED BY USING GROSS AXLE WEIGHT AND RECOMMENDED TIRE PRESSURE

△ ALL SEASON TIRE
 □ ON/OFF ROAD TIRE

| SERIES | TIRES | SLR* | GVW RANGE | TRACK | WHEEL OFFSET | GROUND CLEARANCE | MAX TIRE WIDTH |
|--------------|--------------|-------|-----------|--------|--------------|------------------|----------------|
| T 10603 | △ P205/75R15 | 317.0 | 4650 | 1453.6 | 50 | 217.3 | 224 |
| | □ P205/75R15 | 317.0 | 4650 | 1453.6 | 50 | 217.3 | 224 |
| | P235/75R15 | 337.0 | 5150 | 1453.6 | 50 | 269.8 | 247 |
| | 31 X 10.5 | 357.0 | 4650 | 1553.6 | 50 | 289.7 | 269 |
| T 10803 | △ P205/75R15 | 317.0 | 4650 | 1453.6 | 50 | 217.3 | 224 |
| | □ P205/75R15 | 317.0 | 4650 | 1453.6 | 50 | 217.3 | 224 |
| | P235/75R15 | 337.0 | 5150 | 1453.6 | 50 | 269.8 | 247 |
| T 10653 | △ P205/75R15 | 317.0 | 4650 | 1453.6 | 50 | 217.3 | 224 |
| | □ P205/75R15 | 317.0 | 4650 | 1453.6 | 50 | 217.3 | 224 |
| | P235/75R15 | 337.0 | 5150 | 1453.6 | 50 | 269.8 | 247 |
| | P205/75R15 | 316.0 | 4850 | 1453.6 | 50 | 209.6 | 228 |
| T 10516 | △ P205/75R15 | 317.0 | 4650 | 1453.6 | 50 | 217.3 | 224 |
| | □ P205/75R15 | 317.0 | 4650 | 1453.6 | 50 | 217.3 | 224 |
| | P235/75R15 | 337.0 | 5150 | 1453.6 | 50 | 269.8 | 247 |
| T 10506 | P205/75R15 | 316.0 | 4850 | 1453.6 | 50 | 209.6 | 228 |
| | △ P235/70R15 | 326.0 | 4850 | 1453.6 | 50 | 220.3 | 252 |
| | □ P235/75R15 | 337.0 | 4850 | 1453.6 | 50 | 231.2 | 252 |
| | P205/75R15 | 316.0 | 5300 | 1453.6 | 50 | 211.2 | 228 |
| | △ P235/70R15 | 326.0 | 5300 | 1453.6 | 50 | 221.3 | 252 |
| □ P235/75R15 | 337.0 | 5300 | 1453.6 | 50 | 232.7 | 252 | |



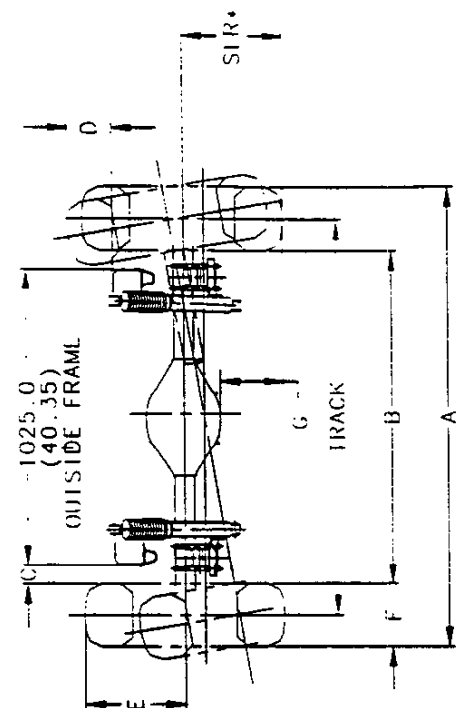
SECTION A--A
ROTATED 90°



- () = INCHES
- ◇ ALL SEASON TIRE
- ON/OFF ROAD TIRE

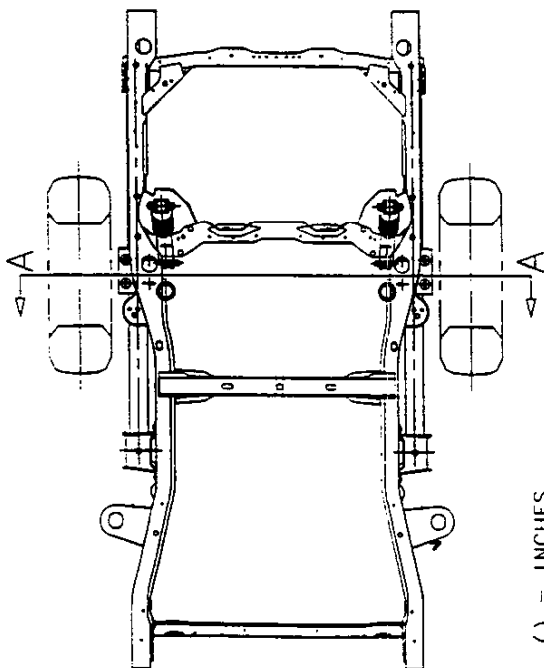
* MINIMUM GROUND CLEARANCE TO BE CALCULATED BY USING GROSS AXLE WEIGHT AND INFLATING TIRE PRESSURE TO 35 PSI

| SERIES | TIRES | SLR | GVW RANGE | TRACK | WHEEL OFFSET | DIM A | DIM B | DIM C | DIM D | DIM E | DIM F | DIM G |
|---------|------------|-------|-----------|--------|--------------|--------|--------|-------|-------|-------|-------|-------|
| S 10603 | P205/75R15 | 319.0 | 4200 | 1387.8 | -6.4 | 1605.8 | 1169.8 | 72.4 | 154.5 | 344.5 | 224.0 | 184.0 |
| | P205/75R15 | 319.0 | 4600 | 1387.8 | -6.4 | 1605.8 | 1169.8 | 72.4 | 154.5 | 344.5 | 224.0 | 184.0 |
| | P215/65R15 | 307.0 | 4600 | 1387.8 | -6.4 | 1613.8 | 1161.8 | 68.4 | 140.5 | 330.5 | 232.0 | 172.0 |
| | P205/75R15 | 319.0 | 4200 | 1387.8 | -6.4 | 1605.8 | 1169.8 | 72.4 | 154.5 | 344.5 | 224.0 | 184.0 |
| S 10803 | P215/65R15 | 307.0 | 4600 | 1387.8 | -6.4 | 1613.8 | 1161.8 | 68.4 | 140.5 | 330.5 | 232.0 | 172.0 |
| | P205/75R15 | 319.0 | 4900 | 1387.8 | -6.4 | 1605.8 | 1169.8 | 72.4 | 154.5 | 344.5 | 224.0 | 180.0 |
| | P215/65R15 | 315.0 | 4900 | 1387.8 | -6.4 | 1613.8 | 1161.8 | 68.4 | 140.5 | 330.5 | 232.0 | 172.0 |
| | P215/65R15 | 307.0 | 4900 | 1387.8 | -6.4 | 1605.8 | 1169.8 | 72.4 | 154.5 | 344.5 | 224.0 | 184.0 |
| S 10653 | P205/75R15 | 319.0 | 4600 | 1387.8 | -6.4 | 1605.8 | 1169.8 | 72.4 | 154.5 | 344.5 | 224.0 | 180.0 |
| | P205/75R15 | 315.0 | 4900 | 1387.8 | -6.4 | 1605.8 | 1169.8 | 72.4 | 154.5 | 344.5 | 224.0 | 180.0 |
| | P205/75R15 | 319.0 | 4650 | 1399.0 | 50.0 | 1617.0 | 1181.0 | 78.0 | 154.5 | 344.5 | 224.0 | 191.0 |
| | P205/75R15 | 321.0 | 4650 | 1399.0 | 50.0 | 1607.0 | 1191.0 | 83.0 | 154.5 | 344.5 | 224.0 | 186.0 |
| T 10603 | P205/75R15 | 321.0 | 4650 | 1399.0 | 50.0 | 1607.0 | 1191.0 | 83.0 | 178.5 | 368.5 | 247.0 | 202.0 |
| | P235/75R15 | 337.0 | 5150 | 1399.0 | 50.0 | 1639.0 | 1159.0 | 67.0 | 199.8 | 389.8 | 269.0 | 230.0 |
| | 31 x 10.5 | 361.0 | 4650 | 1500.0 | 50.0 | 1769.0 | 1231.0 | 103.0 | 154.5 | 344.5 | 224.0 | 191.0 |
| | P205/75R15 | 319.0 | 4650 | 1399.0 | 50.0 | 1617.0 | 1181.0 | 78.0 | 154.5 | 344.5 | 224.0 | 186.0 |
| T 10803 | P205/75R15 | 321.0 | 4650 | 1399.0 | 50.0 | 1607.0 | 1191.0 | 83.0 | 178.5 | 368.5 | 247.0 | 202.0 |
| | P235/75R15 | 337.0 | 5150 | 1399.0 | 50.0 | 1639.0 | 1159.0 | 67.0 | 178.5 | 368.5 | 247.0 | 202.0 |
| | P205/75R15 | 319.0 | 4650 | 1399.0 | 50.0 | 1617.0 | 1181.0 | 78.0 | 154.5 | 344.5 | 224.0 | 191.0 |
| T 10653 | P205/75R15 | 321.0 | 4650 | 1399.0 | 50.0 | 1607.0 | 1191.0 | 83.0 | 154.5 | 344.5 | 224.0 | 186.0 |
| | P235/75R15 | 337.0 | 5150 | 1399.0 | 50.0 | 1639.0 | 1159.0 | 67.0 | 178.5 | 368.5 | 247.0 | 202.0 |



SECTION A-A
ROTATED 90°

* MINIMUM GROUND CLEARANCE TO BE CALCULATED BY USING GROSS AXLE WEIGHT AND INFLATING TIRE PRESSURE TO 35 PSI



- () = INCHES
- ◇ ALL SEASON TIRE
- ON/OFF ROAD TIRE

| SERIES | TIRES | SLR | GW RANGE | TRACK | WHEEL OFFSET | DIM A | DIM B | DIM C | DIM D | DIM E | DIM F | DIM G |
|---------|--------------|-----|----------|--------|--------------|--------|--------|-------|-------|-------|-------|-------|
| S 10516 | P205/75R15 | 314 | 4450 | 1387.8 | -6.4 | 1627.0 | 1159.8 | 68.0 | 180.4 | 349.5 | 228.0 | 206.0 |
| | P205/75R15 | 314 | 4785 | 1387.8 | -6.4 | 1627.0 | 1159.8 | 68.0 | 160.4 | 349.5 | 228.0 | 193.5 |
| T 10516 | ◇ P205/75R15 | 314 | 4850 | 1399.0 | 50.0 | 1627.0 | 1171.0 | 68.0 | 180.4 | 349.5 | 228.0 | 204.0 |
| | □ P235/75R15 | 334 | 4850 | 1399.0 | 50.0 | 1651.0 | 1147.0 | 56.0 | 205.2 | 374.5 | 252.0 | 224.0 |
| | ◇ P235/70R15 | 323 | 4850 | 1399.0 | 50.0 | 1651.0 | 1147.0 | 56.0 | 191.3 | 360.4 | 252.0 | 209.0 |
| T 10506 | ◇ P205/75R15 | 314 | 5300 | 1399.0 | 50.0 | 1627.0 | 1171.0 | 68.0 | 160.4 | 349.5 | 228.0 | 190.0 |
| | □ P235/75R15 | 334 | 5300 | 1399.0 | 50.0 | 1651.0 | 1147.0 | 56.0 | 185.2 | 374.5 | 252.0 | 207.0 |
| | ◇ P235/70R15 | 323 | 5300 | 1399.0 | 50.0 | 1651.0 | 1147.0 | 56.0 | 171.3 | 360.4 | 252.0 | 199.0 |



1995 GENERAL MOTORS CORPORATION

INFORMATION REGARDING

CONSUMER INFORMATION TRUCK - CAMPER LOADING

PUBLISHED MARCH 1994



CHEVROLET MOTOR DIVISION
30007 VAN DYKE AVENUE
WARREN, MICHIGAN 48090



GMC TRUCK DIVISION
31 JUDSON STREET
PONTIAC, MICHIGAN 48342-2230

1995 GENERAL MOTORS TRUCKS

Consumer Information

Truck - Camper Loading

CONSUMER INFORMATION REGULATION 575.103 issued by the National Highway Traffic Safety Administration requires manufacturers of trucks capable of accommodating slide-in camper bodies to provide information concerning proper load and proper load distribution in truck-camper applications.

This Consumer Information booklet is designed to provide basic information relating to load capabilities of 1995 General Motors truck models which are adaptable to slide-in camper applications. Information contained herein is applicable to the truck buyer who already owns a 1995 General Motors truck or to a prospective truck purchaser.

The regulation also provides that proper truck-camper loading information is to be maintained in truck dealerships and be made available to all prospects on request. This booklet relates to the 1995 General Motors truck models recommended for slide-in camper applications and is to be used as a consumer information brochure.

Product specifications or data contained herein may change periodically. When a revision of this booklet is supplied to truck dealers, it is the dealers' responsibility to make the revised information available to the public.

Chevrolet's and GMC's 1988 and newer Full-Size C/K Pickups feature a styling that is more aerodynamic than prior models. Aftermarket manufacturers offer many products, such as slide-in campers, camper shells, and bedliners, designed to fit on the new pickups. However, some products designed for use on Chevrolet Full-Size Pickups, built prior to the 1988 model year or R-V models through the 1991 model year, may not fit in the bed of this vehicle. Please confirm the compatibility of any aftermarket product you intend to install on your new truck by consulting the product manufacturer.

Chevrolet's and GMC's 1995 S/T Series Pickups feature new styling that is more aerodynamic than models from previous years. Some aftermarket items designed for 1993 and earlier S/T Series Pickups may not fit in the bed of this new vehicle. Please consult the product manufacturer for compatibility prior to purchase.

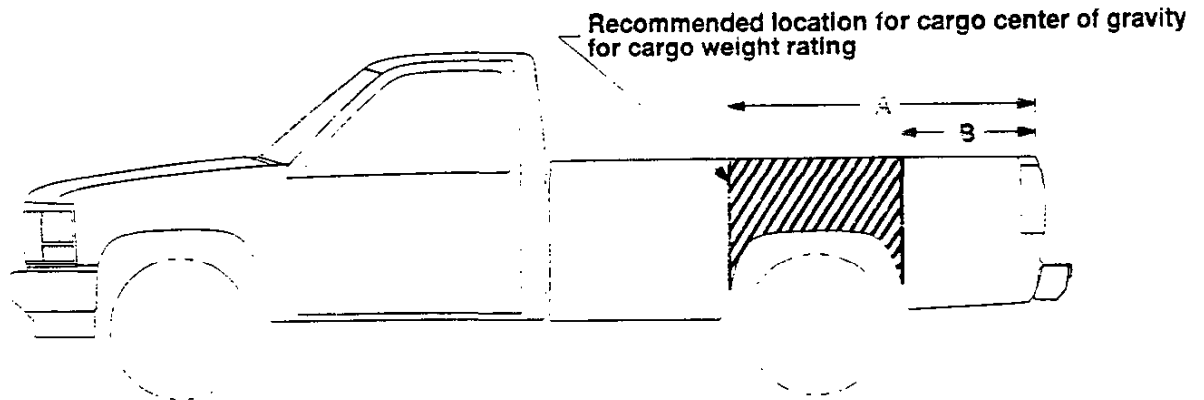
All illustrations and specifications contained in this literature are based on the latest product information available at the time of publication approval. The right is reserved to make changes at any time in prices, colors, materials, equipment, specifications and models, and also to discontinue models.

TRUCK-CAMPER LOADING

Consumer Information Regulation 575.103 requires manufacturers of trucks capable of accommodating slide-in campers to specify the vehicles' Cargo Weight Rating (CWR) and the longitudinal limits within which the center of gravity for the cargo weight rating should be located.

Cargo Weight Rating (CWR)—The cargo weight rating of a vehicle means the value specified by the vehicle manufacturer as the cargo-carrying capacity of a vehicle in pounds, exclusive of (minus) the weight of occupants, computed as 150 pounds times the number of designated seating positions.

Longitudinal Center of Gravity (CG) Zone for CWR—The forward limit of the recommended CG Zone is determined by the application of dimension "A" measured in inches from the rear of the truck bed. The rearward limit of the recommended CG Zone is established by application of dimensions "B", also measured in inches from the rear of the truck bed. The recommended CG Zone lies between these points.



Model _____ Calculated Cargo Weight Rating _____
 Dimension A _____ Dimension B _____

Limitations on Recommended CG Zones

FORWARD LIMIT

- (1) Must not extend beyond the inside surface of the pickup box.
- (2) Must not exceed the front gross axle weight rating (GAWR).

REARWARD LIMIT

- (1) Must be no farther rearward than the inside surface of the pickup box.
- (2) Must not exceed the gross axle weight rating (GAWR) of the rear axle.
- (3) Must not exceed rear axle load limits below:

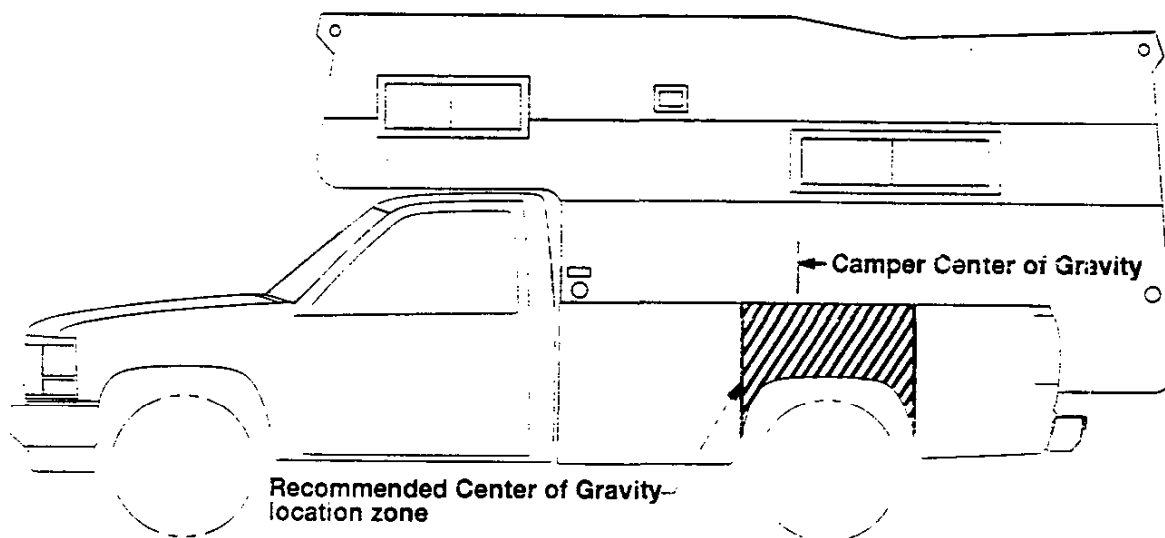
| Series | Rear Axle Load Limits (% of GVWR) |
|------------------------|--------------------------------------|
| S/T 10/Sonoma | 62% |
| C/K 1500 | 60% |
| C/K 2500 | 65% |
| C/K 2500/C6P, C/K 3500 | 70% |

Vehicle CG Identification—All General Motors Corporation trucks that may be suitable for carrying a slide-in camper incorporate a Truck-Camper Loading information label located on the glove box floor on C/K and S/T 10/Sonoma models. The vehicle identification number (VIN), the as-manufactured cargo weight rating (CWR) of that vehicle plus the CG limits of dimension "A" and "B" for that vehicle in inches are included.

Vehicle and Truck-Camper Loading are also discussed at length in the Vehicle Owner's Manual.

TRUCK-CAMPER LOADING

Loading Instructions—When the truck is used to carry a slide-in camper, the total cargo load of the truck consists of the manufacturer's camper weight figure, the weight of installed additional camper equipment not included in the camper manufacturer's weight figure, the weight of camper cargo and the weight of passengers *in the camper*. The total cargo load should not exceed the truck's cargo weight rating (CWR) and the camper's center of gravity should fall within the truck's recommended center of gravity zone when installed.



Any accessories or other equipment added to this vehicle, after final date of manufacture, must be weighed or have their weight determined, and the weight deducted from the prescribed cargo weight rating (CWR) of this vehicle. This may decrease the permissible longitudinal zone of the center of gravity for this vehicle.

The longitudinal center of gravity zone has been determined for the full cargo weight rating of this truck. If a slide-in camper has a total weight less than the cargo weight rating (CWR), the permissible longitudinal zone of the center of gravity may be larger. However, individual axle loads should not exceed either of the gross axle weight ratings (GAWR).

Secure loose items to prevent weight shifts that could affect the balance of your vehicle. When the truck camper is loaded, drive to a scale and weigh on the front and on the rear separately to determine the axle loads. Individual axle loads should not exceed either of the gross axle weight ratings (GAWR). The total of the axle loads should not exceed the gross vehicle weight rating (GVWR). These ratings are given on the vehicle identification plate and on the vehicle certification label which are located on the left side of the vehicle, normally on the door latch post or door edge next to the driver. If weight ratings are exceeded, move or remove items to bring all weights below the ratings.

CAUTION: The longitudinal center of gravity is only one of the many factors which may affect the overall performance of a vehicle, including handling, steering and braking. The cargo load should be distributed on both sides of the centerline as equally as possible. The recommended longitudinal limits for the camper's center of gravity are based on the assumption that the vehicle will be operated with reasonable prudence in light of all of the existing conditions. Failure to do so could result in unsatisfactory vehicle performance and could make the vehicle unsafe to operate.

In this connection, refer to any recommendations by the slide-in camper manufacturer regarding installation and loading of the camper.

TRUCK-CAMPER LOADING

DEFINITION OF TERMS

For the purposes of calculating Truck-Camper Loading in this book, listed below are some common terms and abbreviations:

Cargo Weight Rating (CWR)—means the value specified by the vehicle manufacturer as the cargo-carrying capacity of a vehicle in pounds, exclusive of (minus) the weight of occupants, computed as 150 pounds times the number of designated seating positions.

Center of Gravity (CG)—point where the mass of a body is concentrated and if suspended at that point would balance front and rear.

Curb Weight—weight of a vehicle without driver, passengers or cargo but including maximum capacity of fuel, oil, coolant and other items of standard equipment.

Dimension A & B—front and rear limit of Center of Gravity (CG) zone.

Gross Vehicle Weight Rating or 'GVWR' means the value specified by the manufacturer as the loaded weight of a single vehicle.

Gross Axle Weight Rating or 'GAWR' means the value specified by the vehicle manufacturer as the load carrying capacity of a single axle system measured at the tire-ground interfaces.

Model Weight—weight of the vehicle with all items of standard equipment, 150 pounds per passenger in each designated seating position and maximum capacity of fuel, oil and coolant.

Payload Rating is the maximum allowable load (including the weight of the driver and all occupants) that the vehicle can carry based on all factory-installed equipment on the vehicle.

RPO—Regular Production Option.

Slide-in Camper—means a camper having a roof, floor, and sides, designed to be mounted on and removable from the cargo area of a truck by the user.

Weight Distribution—the amount of a vehicle's weight that rests on each axle.

Wheelbase (WB)—the distance from the centerline of the front axle to the centerline of the rear axle.

LIMITATIONS

The following General Motors truck models are not recommended for slide-in camper applications:

- Any pickup model with a cargo weight rating (CWR) of less than 500 lbs. A statement to this effect is imprinted on the Truck-Camper Loading information label which states whether that vehicle is recommended for use with a slide-in camper.
- S 10/Sonoma (2WD) Pickup with 4200 lb. GVWR.
- T 10/Sonoma (4x4) Pickup with 4650 lb. GVWR.
- S/T 10/Sonoma Pickup with 108.3" WB.
- S/T 10/Sonoma Extended Cab Pickup.

Note: C/K 1500 Pickups should not be used for larger, cab-over type slide-in campers.

TRUCK-CAMPER LOADING

S/T PICKUPS, C/K PICKUPS, EXTENDED/CLUB AND CREW CAB PICKUPS

INSTRUCTIONS FOR PROSPECTIVE TRUCK PURCHASERS VEHICLE SELECTION AND WEIGHT ANALYSIS

1. For S/T 10/Sonoma Models.

You must order S/T 10803 (117.9" WB) model with one of the following GVWR Ratings:

| | | |
|---------------|---------------|------------|
| S 10803 (2WD) | 4600 lb. GVWR | Option C5D |
| S 10803 (2WD) | 4900 lb. GVWR | Option C5A |
| T 10803 (4x4) | 5150 lb. GVWR | Option C6F |

If you intend to use a slide-in camper on your S/T 10 Sonoma Pickup, record the model on page 3. Record the model GVWR, front GAWR, and rear GAWR on page 7. These ratings can be found in the S/T 10/Sonoma section of the General Motors Light-Duty Truck Data Book or Chevrolet Light-Duty Technical Guide on the Specifications pages. This information is also available in the Chevrolet Spec Manager computer program.

For C/K Models

From the model selection pages of the C/K pickup section of the GMC Light-Duty Truck Data Book, Chevrolet Light-Duty Technical Guide or the Chevrolet Spec Manager System, select the pickup model you desire. Record this information on page 3. Refer to the Specification section for the selected model. Select the GVWR you require and note any minimum tire size and chassis equipment requirements for that GVWR. (To approximate the GVWR you require, add your loaded camper weight to the vehicle curb weight plus the occupants weight at 150 lbs. per designated seating position.) Record the GVWR and the Gross Axle Weight Rating (GAWR), Front and Rear (from the Specifications section) on line 1 of the camper loading worksheet, page 7.

- Record the front and rear curb weights of your selected vehicle on line 2, page 7.
- Record the front and rear passenger weights on line 3, page 7.
- List all factory-installed options you desire, including any options required by your selected GVWR, with their front and rear weights on the Pickup camper loading worksheet on page 7.
- Total the front and rear weights of vehicle model and options to arrive at the total front and rear weight of the vehicle. Follow the directions on page 7, lines 5 through 5C to arrive at the adjusted total vehicle weight.
- Subtract the adjusted total vehicle weight from the GVWR to arrive at the cargo weight rating (CWR) of your truck.* Record this information on page 3.
- Proceed to page 11 and calculate the center of gravity location limits using front and rear GAWRs, cargo weight rating (CWR), and front and rear weight of truck as determined above. Record this information on page 3.

*The addition of any dealer-installed or other accessories will reduce the cargo-carrying capacity by the weight of the equipment installed.

TRUCK – CAMPER LOADING S/T PICKUPS, C/K PICKUPS

WORKSHEET – CARGO WEIGHT RATING

1. Model GVWR _____ GAWR FRONT _____ REAR _____

2. Curb Weights: FRONT _____ REAR _____

3. Passenger Weights: FRONT _____ REAR _____

4. Other factory-installed options:

..... _____

..... _____

..... _____

..... _____

..... _____

..... _____

..... _____

..... _____

..... _____

..... _____

4a. TOTALS _____

5. Front and Rear Weights _____

5a. Vehicle sub-total weight (add front and rear weight) _____

5b. Add 50 lbs. for all models* -50.0

5c. Adjusted total vehicle weight: _____

6. Vehicle GVWR: _____

Adjusted total vehicle weight (- _____)

Cargo Weight Rating _____

Record on page 3.

* If your vehicle is available, drive to a scale and weigh, with occupants, full fuel tank, and other factory-installed options to determine the adjusted total vehicle weight. You will then be able to use your actual total vehicle weight and not have to add the 50#.

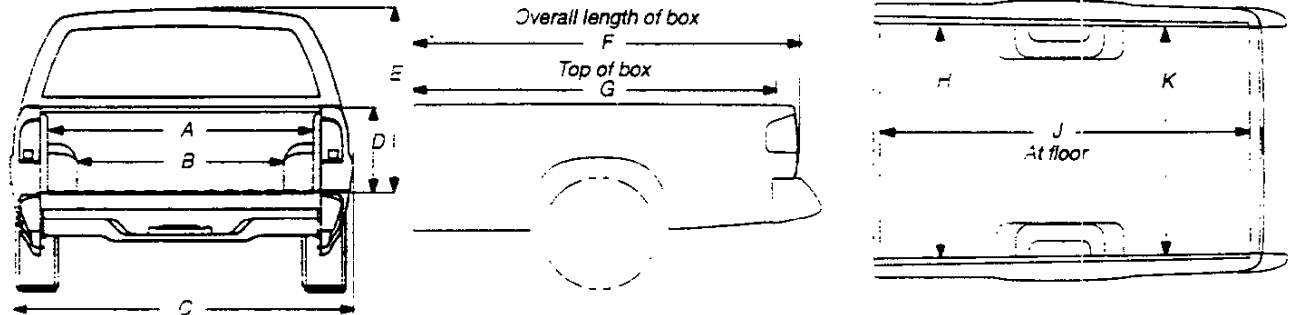
TRUCK-CAMPER LOADING DIMENSIONS

S/T PICKUP

S 10/SONOMA

Long Box (Model S/T 10803)

| | A | B | C | D | E | F | G | H | J | K |
|----------|-------|-------|-------|-------|-------|------|------|-------|------|-------|
| Long Box | 52.00 | 40.35 | 57.9" | 16.81 | 36.25 | 93.3 | 88.3 | 56.61 | 87.6 | 56.61 |



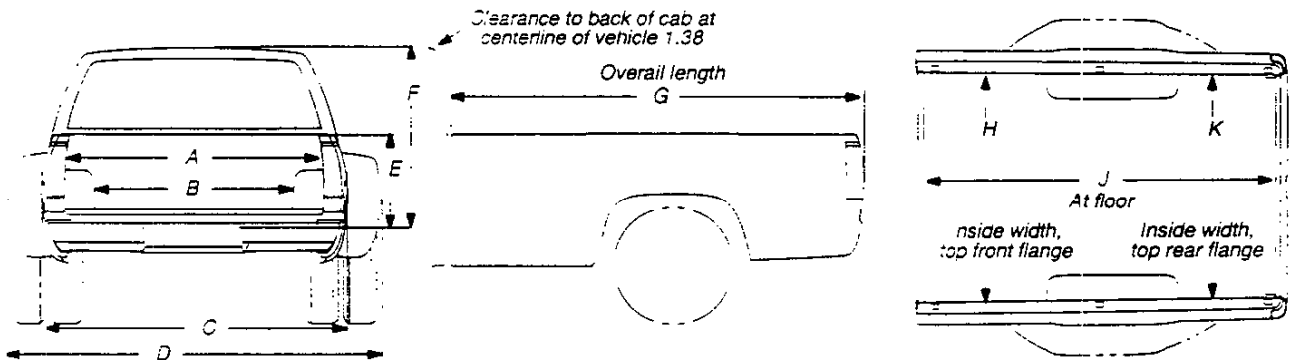
C/K PICKUPS

FLEETSIDE/WIDESIDE

Short Box (Models C/K 10703, 10753, 20753)

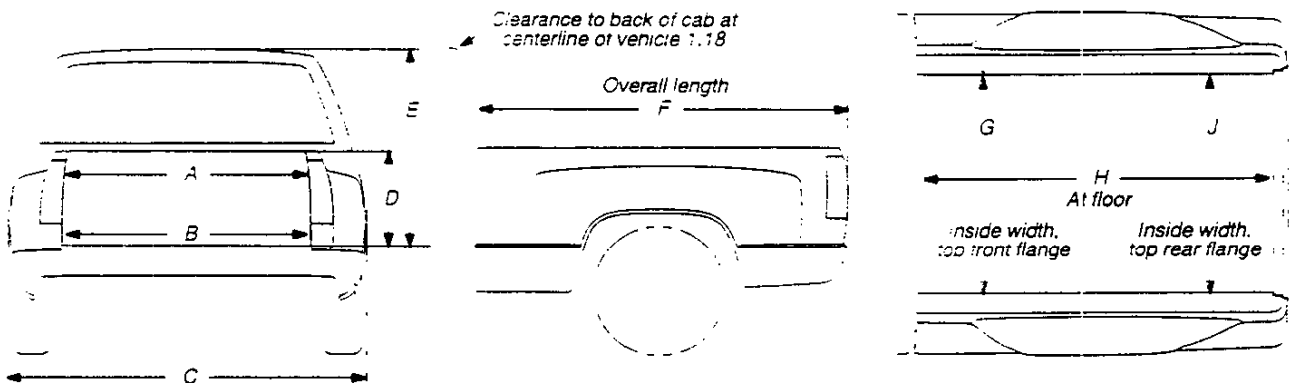
Long Box (Models C/K 10903, 10953, 20903, 20953, 30903, 30943, 30953)

| | A | B | C | D | E | F | G | H | J | K |
|-----------|-------|-------|-------|------|-------|-------|--------|-------|-------|-------|
| Short Box | 60.24 | 49.06 | 76.75 | 94.3 | 19.29 | 41.44 | 82.48 | 63.78 | 78.66 | 61.89 |
| Long Box | 60.24 | 49.06 | 76.75 | 94.3 | 19.29 | 41.44 | 101.38 | 63.78 | 97.56 | 61.89 |



SPORTSIDE *Short Box (Model C/K 10703, 10753&E62)*

| | A | B | C | D | E | F | G | H | J |
|-----------|-------|-------|------|-------|-------|-------|-------|------|-------|
| Short Box | 49.13 | 49.13 | 76.8 | 19.29 | 41.44 | 82.29 | 49.13 | 78.7 | 49.13 |



TRUCK-CAMPER LOADING DIMENSIONS

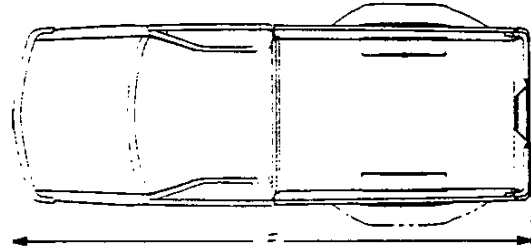
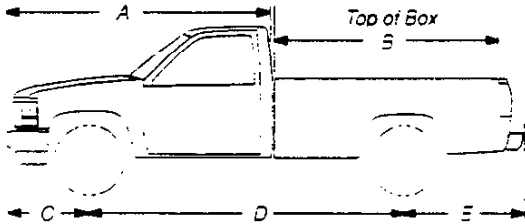
C/K PICKUPS

STANDARD CAB PICKUPS

Short Box (Models C/K 10703)

Long Box (Model C/K 10903, 20903, 30903)

| | A | B | C | D | E | F |
|-----------|-------|------|------|-------|------|-------|
| Short Box | 111.0 | 77.2 | 35.4 | 117.5 | 41.8 | 194.5 |
| Long Box | 111.0 | 96.1 | 35.4 | 131.5 | 46.5 | 213.4 |

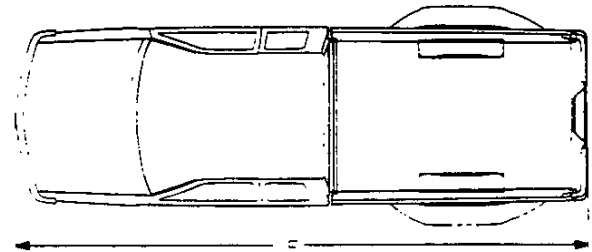
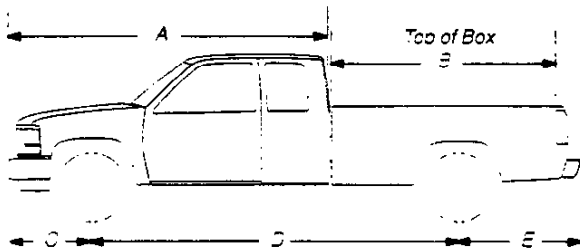


EXTENDED CAB PICKUPS

Short Box (Model C/K 10753, 20753)

Long Box (Model C/K 10953, 20953, 30953)

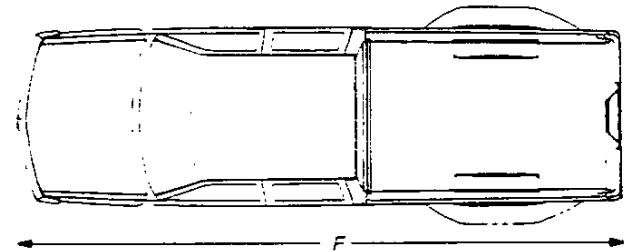
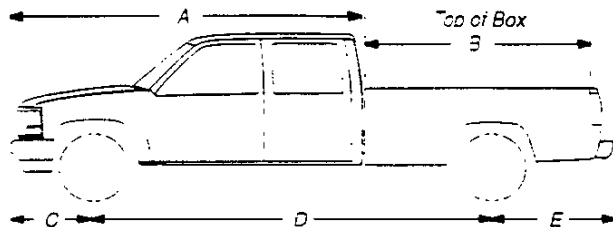
| | A | B | C | D | E | F |
|-----------|-------|------|------|-------|------|-------|
| Short Box | 135.0 | 77.2 | 35.4 | 141.5 | 41.6 | 218.5 |
| Long Box | 135.0 | 96.1 | 35.4 | 155.5 | 46.5 | 237.4 |



CREW CAB PICKUPS

Long Box (Model C/K 30943)

| | A | B | C | D | E | F |
|----------|-------|------|------|-------|------|-------|
| Long Box | 148.5 | 96.1 | 35.9 | 168.5 | 46.5 | 250.9 |



TRUCK-CAMPER LOADING

MODEL CODES AND DIMENSIONS

| SERIES | MODEL NUMBER | PICKUP BOX LENGTH | PICKUP STYLE | WB | "C" |
|--------|--------------|-------------------|--------------|----|-----|
|--------|--------------|-------------------|--------------|----|-----|

REGULAR CAB MODELS

| | | | | | |
|-------------------|-----------|------|---|------------------|------------------|
| S/T 10/ Sonoma | S/T 10803 | 7.4' | Fleetside/Wideside (E63) | 117.9" | 42.90" |
| C/K 1500 | C/K 10703 | 6.5' | Fleetside/Wideside (E63) Sportside (E62) | 117.5" 117.5" | 38.53" 38.48" |
| | C/K 10903 | 8' | Fleetside/Wideside (E63) | 131.5" | 43.46" |
| C/K 2500 | C/K 20903 | 8' | Fleetside/Wideside (E63) | 131.5" | 43.46" |
| C/K 3500 | C/K 30903 | 8' | Fleetside/Wideside (E63) | 131.5" | 43.46" |

EXTENDED/CLUB CAB MODELS

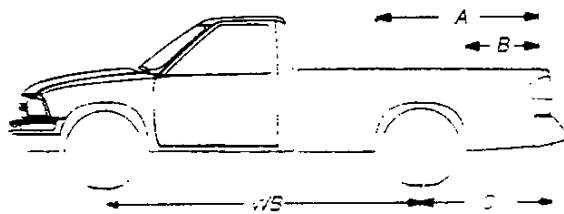
| | | | | | |
|----------|-----------|------|---|------------------|------------------|
| C/K 1500 | C/K 10753 | 6.5' | Fleetside/Wideside (E63) Sportside (E62) | 141.5" 141.5" | 38.53" 38.48" |
| | C/K 10953 | 8' | Fleetside/Wideside (E63) | 155.5" | 43.46" |
| C/K 2500 | C/K 20753 | 6.5' | Fleetside/Wideside (E63) | 141.5" | 38.53" |
| | C/K 20953 | 8' | Fleetside/Wideside (E63) | 155.5" | 43.46" |
| C/K 3500 | C/K 30953 | 8' | Fleetside/Wideside (E63) | 155.5" | 43.46" |

CREW CAB MODELS

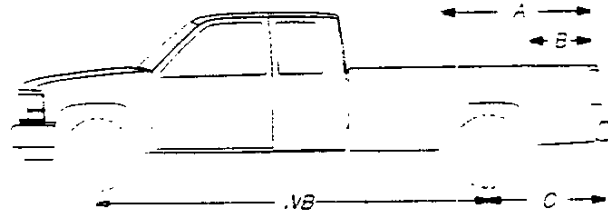
| | | | | | |
|----------|-----------|----|--------------------------|--------|--------|
| C/K 3500 | C/K 30943 | 8' | Fleetside/Wideside (E63) | 168.5" | 43.46" |
|----------|-----------|----|--------------------------|--------|--------|

- * Dimension "C" is the distance from the centerline of the rear axle to the end of the pickup box floor.
Dimension A and B can be calculated by using the formula on page 11.

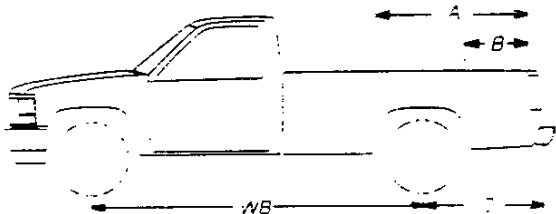
REGULAR CAB S 10/SONOMA PICKUPS



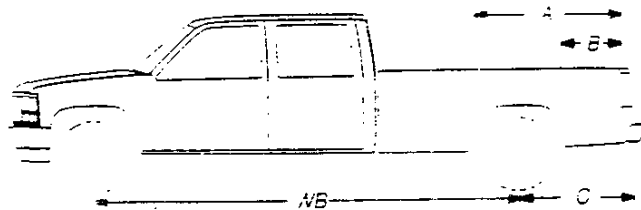
EXTENDED CAB C/K PICKUPS



REGULAR CAB C/K PICKUPS



CREW CAB PICKUPS



TRUCK-CAMPER LOADING

CALCULATIONS TO DETERMINE FORWARD (A) AND REARWARD (B) LOCATION OF CENTER OF GRAVITY FOR CARGO WEIGHT RATING

Calculations for Dimension A

$$A = \left\{ \frac{\text{Front GAWR} - 1.05 \times \text{Front Weight}^* \text{ of Truck}}{\text{Cargo Weight Rating}} \right\} \times \text{WB} + C$$

| | | |
|---|-------|-----------|
| Enter Front GAWR | _____ | |
| Subtract Front Weight* of Truck x 1.05 | - | (_____) |
| Answer | | _____ |
| Divide Answer by Cargo Weight Rating (CWR) | ÷ | _____ |
| Answer | | _____ |
| Multiply Answer by Wheelbase (See Chart on page 10) | X | _____ |
| Answer | | _____ |
| Add C Dimension to Answer (See Chart on page 10) | +C | _____ |
| Dimension A | = | _____ |

Note: if "A" is greater than pickup box length, use box length for "A" dimension.

Calculations for Dimension B

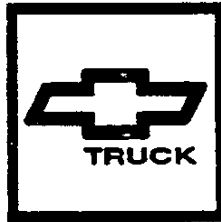
$$B = \left\{ 1 - \frac{\text{Rear GAWR} - 1.1 \times \text{Rear Weight}^* \text{ of Truck}}{\text{Cargo Weight Rating}} \right\} \times \text{WB} + C$$

| | | |
|---|-------|-----------|
| Enter Rear GAWR | _____ | |
| Subtract Rear Weight* of Truck x 1.1 | - | (_____) |
| Answer | | _____ |
| Divide Answer by Cargo Weight Rating (CWR) | ÷ | _____ |
| Answer | | _____ |
| Subtract Answer from 1.000 | - | (_____) |
| Multiply Answer by Wheelbase (See Chart on page 10) | X | _____ |
| Answer | | _____ |
| Add C Dimension to Answer (See Chart on page 10) | +C | _____ |
| Dimension B | = | _____ |

Note: If "B" dimension is negative, use 0 (zero) for "B" dimension.
 If "B" dimension is greater than "A" dimension, camper usage is not recommended at the Calculated Cargo Weight Rating. Camper usage may be possible for a lighter camper. Substitute known specific camper weight (less than Cargo Weight Rating) for Cargo Weight Rating in calculations above to determine "A" to "B" range for that specific camper.

Record dimension A and B on page 3.

* Front page 7 line 4a.



CHEVROLET MOTOR DIVISION
30007 VAN DYKE AVENUE
WARREN, MICHIGAN 48090



GMC TRUCK DIVISION
31 JUDSON STREET
PONTIAC, MICHIGAN 48342-2230