

ORIGINAL

1937 TRUCK

DEALERS' CONFIDENTIAL

Price List
of
GENUINE CHEVROLET
ACCESSORIES
for
1937

Effective May 1, 1937



All prices subject to change without notice.

P. B. A. 32

PRINTED IN U. S. A.

1937 Accessories

Description	Part No.	Unit	List Price	Net Price	Description	Part No.	Unit	List Price	Net Price
Antenna—Radio (Turner Top)...	985922	Each	\$4.50	\$2.75	Cover—Seat, Sedan & C. Sedan,	985179	Set	\$4.75	\$2.85
Antenna—Radio.....	985951	Each	4.50	2.75	Rear, D. Mt.—Blue Gray.....	985179	Set	4.75	2.85
Anti-Freeze.....	985112	54-Gals.	54.00	27.54	Cover—Seat, Coach & T. Sed.,	985181	Set	4.75	2.85
Anti-Freeze.....	985113	1 Gal.	1.00	.57	Rear, Master—Blue Gray.....	985181	Set	4.75	2.85
Anti-Freeze.....	985114	1 Qt.	.25	.155	Cover—Seat, Bus, Coupe, Master	985163	Set	4.95	2.95
Arm Rest.....	985136	Pair	3.25	1.90	& De Luxe Mt.—Brown.....	985163	Set	4.95	2.95
Arm Rest—M. De Luxe Coa. &	985909	Each	1.65	.99	Cover—Seat, Coach & T. Sed.,	985164	Set	4.95	2.95
I. Sed.....					Front, Master—Brown.....	985164	Set	4.95	2.95
Ball—Gearhfl.....	985197	Each	.50	.30	Cover—Seat, Spl. Cpe, I. Sed.,				
Battery—13 Plate.....	1854677	Each	8.95	5.85	Coach, Front, De Luxe Master—				
Battery—15 Plate.....	1854669	Each	10.45	7.10	Brown.....	985165	Set	4.95	2.95
Battery—17 Plate.....	1860167	Each	10.45	7.10	Cover—Seat, Sedan, Front, Mt. &	985166	Set	4.95	2.95
Blade—Windshield Wiper.....	985074	Each	.45	.27	Mt. De Luxe—Brown.....	985166	Set	4.95	2.95
Bracket—Safetylgh.....	985149	Each	1.17	.70	Cover—Seat, Coa. & T. Sed., rear,	985167	Set	4.75	2.85
Button—Horn—De Luxe Master,	985146	Each	.50	.30	De Luxe Mt.—Brown.....	985167	Set	4.75	2.85
Button—Horn—Master.....	985130	Each	.50	.30	Cover—Seat, Sed. & C. Sed., rear,	985168	Set	4.75	2.85
Cap—Locking Gas Tank.....	985076	Each	1.50	.90	Mt.—Brown.....	985180	Set	4.75	2.85
Carrier—Luggage (Tour Top).....	985095	Each	11.50	6.80	Rear, D. Mt., Brown.....	985180	Set	4.75	2.85
Charoils Unit.....	401838	Unit	8.50	5.10	Rear, Seat, Coa. & T. Sed.,	985182	Set	4.75	2.85
Charger—Battery.....	405035	Each	.50	.30	Rear, Master—Brown.....	985171	Each	6.50	4.00
Cleaner—Glass.....	985019	11 oz.	.50	.30	Defroster, Electric.....	601168	Each	3.00	1.75
Cleaner—Pie-Wax.....	985089	8 oz.	.50	.30	Defroster, Fan and Bracket.....	985121	Each	4.50	2.65
Cleaner—Spot.....	985201	Each	1.00	.55	Defroster, Heater.....	985122	Each	5.00	2.95
Cleaner—Cooling System.....	985201	Each	9.95	6.00	Disc—Wheel.....	985140	Set 4	9.60	5.72
Clock—Glove Panel.....	985101	Each	4.00	2.30	Disc—Wheel (Single).....	985208	Each	2.40	1.43
Clock—Mirror Pull Wind.....	985115	Each	.39	.23	Door Ease.....	985093	12 Pac.	1.20	.68
Cloth—Polishing.....	985085	4 oz.	.60	.35	Dressing—Top, Ten.....	363641	Pint	.75	.45
Coating—Transparent (Cellulofl). Coating—Underfender.....	985198	Gal.	2.95	1.60	Dressing—Top, Black.....	364165	Pint	.75	.45
Coating—White Rubber Tire.....	985203	16 oz.	1.00	.58	Dressing—Top, Black.....	600428	Gallon	4.75	2.75
Compound—Valve Grinding.....	985212	4 oz.	.25	.14	Extension—Exhaust Pipe.....	985170	Each	1.00	.57
Cover—Radiator, 1936.....	985124	Each	1.00	.60	Extension—Brake Lever.....	985131	Each	1.75	.95
Cover—Radiator, 1937.....	985125	Each	1.00	.60	Flush—Radiator.....	985202	16 oz.	.49	.26
Cover—Seat, Bus, Coupe, Mt. &	985156	Set	4.95	2.95	Frame, License Plate.....	985064	Pair	1.50	.90
De Luxe Mt.—Blue Gray.....					Guard, Bumper.....	985141	Set 4	3.50	2.05
Cover—Seat, Spl. Cpe, Coa. &	985158	Set	4.95	2.95	Header—De Luxe.....	985082	Each	9.95	5.95
Town Sed., Front, De L. Matlr.,					Header—Super De Luxe.....	985083	Each	14.95	8.95
Blue Gray.....	985157	Set	4.95	2.95	Horn—Matched.....	985215-985139	Set	9.50	5.70
Cover—Seat, Coach & T. Sed.,					Indicator—Headlamp Beam.....	985129	Each	1.00	.55
Front Master—Blue Gray.....	985159	Set	4.95	2.95	Indicator—Heat.....	985132	Each	2.35	1.30
Cover—Seat, Sedan, Front Master					Initial Unit.....	985226	Unit	32.60	16.30
& De Luxe Mt.—Blue Gray.....	985160	Set	4.75	2.85	Initial Bar.....	985227	Each	.35	.18
Cover, Coa. & T. Sed., Rear, De L.					Initial (A to Z).....	985228	Each	.30	.17
Mt., Blue Gray.....	985161	Set	4.75	2.85	Jewel—License.....	985094	48 Pac.	4.68	2.60
Cover—Seat, Sed. & C. Sedan,									
Rear, Master—Blue Gray.....	985161	Set	4.75	2.85					

*Initials sell for \$2.50 per Set (6).

Description	Part No.	Unit	List Price	Net Price
Lamp—Fender.....	985148	Pair	\$5.95	\$3.45
Lamp—Fog.....	985174	Each	5.50	3.25
Lamp—R. H. Tail, Sed., Coach.	985117	Each	3.00	1.65
Lamp—R. H. Tail, Trunk.....	985118	Each	3.00	1.65
Lamp—R. H. Tail, Coupe.....	985119	Each	3.00	1.65
Lighter—Cigarette.....	985133	Each	1.95	1.10
Lock—Front Door Ventilator....	985216	Pair	1.75	1.05
Marker—Fender.....	985134	Each	1.25	.70
Mirror—Outside Rear View (L. H.).....	985172	Each	2.75	1.65
Mirror—Outside Rear View (R. H.).....	985225	Each	2.75	1.65
Mirror—Peep.....	985095	Each	1.50	.90
Mirror—Vanity Visor.....	985137	Each	1.00	.59
Moulding—Wheel.....	1279681	Set 5	6.95	4.15
Moulding—Wheel.....	1279680	Single	1.39	.83
Oil—Dripless Penetrating.....	985175	4 oz.	.25	.13
Oil—Dripless Penetrating.....	985196	Qt.	.85	.45
Oil—General Use.....	985195	4 oz.	.25	.13
Ornament—Radiator.....	985097	Each	3.75	2.10
Perfect Seal Kit.....	985144	Each	—	.95
Perfect Seal Paste.....	985145	8 Oz.	—	.65
Plug—Magnetic (Unit).....	985224	Unit	18.00	10.80
Polish—Body.....	363415	12 Oz.	.55	.30
Polish—Body.....	363614	1 Gal.	2.80	1.65
Polish—Chrome.....	985084	8 Oz.	.35	.21
Radio—6 Tube, Single Unit.....	985252	Set	37.75	24.50
Radio—6 Tube, Directone	935253	} Speaker.....	Set	49.75 30.25
Speaker.....	935254			
Radio—7 Tube, Cowl Speaker..	935255	Set	59.75	35.75
Radio Speaker, Unit Directone..	935256	Each	6.75	4.00
Receiver—Ash.....	935098	Each	1.00	.55
Reflector—Red Reflex (4 inch)..	935223	Each	1.25	1.00
Reflector—Red Reflex (3 inch)..	985169	Each	1.00	.54
Remover—Tar and Road Oil....	985214	8 oz.	.49	.27
Rust Preventive.....	985063	4 Oz.	.25	.15
Safetylight (less bracket).....	601521	Each	15.95*	8.80
Screen—Insect.....	985135	Pair	1.50	.75
Screen—Radiator Insect.....	985220	Each	.75	.45
Shield—Frost, 8 x 18.....	985102	Each	.95	.56
Shield—Frost, 8 x 12.....	985103	Each	.85	.50
Shield—Frost—Ventipane.....	985104	Pair	1.50	.87
Shield—Glare.....	925194	Each	1.00	.59
Sponge—Display Unit.....	985105	Each	14.75	8.85
Sponge—Small Grass.....	985106	Each	.23	.15

*List price includes brackets.

Description	Part No.	Unit	List Price	Net Price
Sponge—Florida Yellow.....	985107	Each	\$.39	\$.24
Sponge—Large Velvet.....	985108	Each	.69	.42
Sponge—De Luxe Sheepswool..	985109	Each	.98	.59
Sponge Cleaner.....	985219	Each	.25	.15
Spout—Pouring.....	985173	Each	—	.20
Streamliners—Fender—Black....	985110	Pair	8.50	4.95
Streamliners—Fender, Prime....	985111	Pair	8.50	4.95
Thermometer.....	985153	Each	.39	.23
Thermostat—149° to 153°.....	985127	Each	1.00	.60
Thermostat—160° to 165°.....	985128	Each	1.00	.60
Tube Repair Kit.....	985071	Each	.25	.13
Vacuum Booster.....	985138	Each	8.00	4.80
Valve—Heater Shutoff.....	985079	Each	.60	.30
Visor—R. H. Sun.....	985143	Each	2.25	1.35
Wax—Auto.....	985020	7 Oz.	.50	.27
Wheel—De Luxe Steering.....	985147	Each	9.75	5.70
	985142			
Wiper—R. H. Windshield.....	985123	Each	3.90	2.25

1937 Truck Accessories

Bracket—Horn Support.....	985204	Each	.50	.30
Bracket—Safetylight.....	600521	Each	1.17	.70
Check—Panel Door (Rear).....	985218	Pair	4.50	2.70
Governor—Low and High Speed	985193	Each	7.50	4.50
Governor—Low and High Speed	985192	Each	7.50	4.50
Guard—Bumper, 1½ T.....	985087	Pair	1.65	.95
Mirror—R. V. Extendible.....	985060	Each	2.55	1.50
Shock Absorber—Front, ½ T....	1066226	Pair	20.00	12.00
Shock Absorber—Rear, ½ T....	5312694	Pair	22.50	13.50
Shock Absorber—Front, 1½ T....	1066231	Pair	20.00	12.00
Shock Absorber—Rear, 1½ T....	1066232	Pair	28.00	16.80
Wiper—R. H. Windshield.....	985080	Each	2.60	1.55

CHEVROLET
1937
SPECIFICATIONS

PREPARED BY
ENGINEERING DEPARTMENT
CHEVROLET DIVISION
GENERAL MOTORS CORPORATION
DETROIT, MICHIGAN

LITHOGRAPHED IN U.S.A.
NOVEMBER 1936

FOREWORD

The following specifications are prepared by the Chevrolet Engineering Department for use by authorized persons within the Chevrolet organization. All data contained herein pertain to cars and trucks manufactured for domestic use only. No information is

furnished concerning specially built cars or trucks or those exported to other countries. Except where noted, all data quoted are for cars and trucks with regular equipment. All 1937 specifications which are the same as 1936 specifications are denoted by the symbol *.

TABLE OF CONTENTS

<u>Section</u>	<u>Sheet</u>
Contents	1
Serial Numbers; Models; Symbols	2
Weights of Passenger Cars	3
Weights of Trucks	4
Exterior Dimensions of Passenger Cars	5
Interior Dimensions of Passenger Cars	6-7
Luggage Space	8-9
Sedan Delivery, Coupe Pickup and Truck Dimensions	10-14
Frame; Front Wheel Alignment	15
Front Suspension	16-17
Clutch; Steering	18
Springs	19-20
Shock Absorbers; Transmission	21
Rear Axle	22
Propeller Shaft; Universal Joints	23
Brakes	24
Engine and Power Curves	25-31
Engine RPM and Piston Speed Charts	32-33
Wheel and Tires	34-35
Electrical; Tools	36-38
Splines	39
Anti-Friction Bearings	40
Lubrication Chart	41

CHEVROLET 1937 SPECIFICATIONS

Supersedes Sheet No. 2 Dated 11-18-36

SERIAL NUMBERS		PASSENGER CARS		TRUCKS	
		MASTER DELUXE	MASTER	HALF TON	1 1/2 TON
Designation Letters		GA	GB	GC	SA = 131-1/2" Single SB = 131-1/2" Dual @ SC = 157" Single SD = 157" Dual @
Vehicle Serial Numbers	Numbers	Each designation letter starts with 1001, and follows in numerical sequence at each Plant.			
	Location	On plate under hood on right side of cowl panel.			
Engine Serial Numbers	Numbers	#1 and up in numerical sequence.			
	Prefix	None		K	T
	Location	Stamped on right side of engine case just in FRONT of fuel pump.			
Trans. Serial Numbers	Chev.-Toledo			Prefix - TB	
	Saginaw	Prefix - SA		Prefix - SM	
	Muncie Prod.	Prefix - MP		Prefix - M	
		Each prefix will start with 00001 & run up to 99999 when prefix will change to next alphabetical letter, as follows, SA to SB, MP to MR, etc.			
	Location	Stamped on milled surface on top of rear end of trans. case.			
Rear Axle Serial Numbers	Numbers	No mark	Prefix - C	Reg.-No mark Opt.prefix-F	Reg. prefix - TR Opt. prefix - HTR
		Numerical sequence #1001 and up			First axle-TR 18751
	Location	Stamped in casting on top forward end of differential carrier.			

@ - "Gross allowable weights" sheet #4.

PASSENGER CAR SYMBOLS	MASTER DELUXE (DMAS)	MASTER (MAS)
Chassis	PCH	PCH
Sedan	SED	SED
Club Sedan (Sport Sedan)	CSED	CSED
Coach	COA	COA
Town Sedan	TSED	TSED
Coupe 2 (Business Coupe)	CPE2	CPE2
Sport Coupe	SCPE	----
Cabriolet	----	CBL
Sedan Delivery	----	SDL

TRUCK AND BODY SYMBOLS	HALF TON	1 1/2 TON	
	112" WB	131-1/2" WB	157" WB
Chassis with cowl-single rear wheels	CCH	UCH	ULCH
-dual rear wheels	----	DCH	DLCH
Chassis with cab-single rear wheels	CCAB	UCAB	ULCA
-dual rear wheels	----	DCAB	DLCA
Chassis, cab and pickup body	CCBX	----	----
Two-unit open express body (Pickup)	PUB	UX	----
Pickup top used with pickup body	PUBT	----	----
Chassis with panel body	CPAN	UPAN	----
Panel body	CPN	UPN	----
Single unit express body (Canopy Express)	CXST	UXST	----
Closed suburban body (Carryall suburban)	CCS	----	----
Dual wheel chassis, cab and stake body	----	DST	DLST
Platform	----	UPLA	DPLA
Stake rack used with above platform	----	USTA	DSTA
Stock rack used with above platform	----	----	DSTO
Express platform body	----	----	DPLX
Express racks used with above platform	----	----	DSTX

REVISIONS: Engine Serial Number Location revised

CHEVROLET 1937 SPECIFICATIONS

Supersedes Sheet No. 3 Dated 11-18-36

PASSENGER CAR WEIGHTS	MASTER DELUXE		MASTER	
	Shipping	Curb	Shipping	Curb
Chassis				
On front wheels				
On rear wheels				
Sedan	2935#	3055#	2845#	2965#
On front wheels	1500#	1515#	1425#	1440#
On rear wheels	1435#	1540#	1420#	1525#
Sport Sedan	2960#	3080#	2885#	3005#
On front wheels	1495#	1510#	1420#	1435#
On rear wheels	1465#	1570#	1465#	1570#
Coach	2910#	3030#	2800#	2920#
On front wheels	1485#	1500#	1415#	1430#
On rear wheels	1425#	1530#	1385#	1490#
Town Sedan	2935#	3055#	2830#	2950#
On front wheels	1480#	1495#	1405#	1420#
On rear wheels	1455#	1560#	1425#	1530#
Coupe 2 (Business Coupe)	2840#	2980#	2770#	2910#
On front wheels	1520#	1570#	1445#	1495#
On rear wheels	1320#	1410#	1325#	1415#
Sport Coupe	2880#	3000#		
On front wheels	1515#	1530#	- - -	- - -
On rear wheels	1365#	1470#		
Pickup Coupe				
On front wheels	- - -	- - -		
On rear wheels				
Cabriolet			2790#	2910#
On front wheels	- - -	- - -	1445#	1460#
On rear wheels			1345#	1450#
Sedan Delivery			2810#	2950#
On front wheels	- - -	- - -	1425#	1475#
On rear wheels			1385#	1475#

Shipping weight is the total weight of the vehicle less passengers, gasoline and water. This includes front and rear bumpers (bumper guards on Master Deluxe), spare tire and tire cover where required.

Truck shipping weight is the total weight of the truck less load, driver, spare tire, gasoline and water, but with oil and grease.

Curb weight is the weight of the vehicle ready to drive. It is the shipping weight plus gasoline and water.

TRUCK GROSS ALLOWABLE WEIGHTS.
(Chassis, Cab, Body, driver and payload).

Half Ton 4400#
Half Ton (6.00-20-6) 4600#
1 1/2 Ton (32 x 6-8)S. 7600#
1 1/2 Ton (6.00-20-6)D. 9300#
1 1/2 Ton (32 x 6-10)D.
(Auxiliary Springs) 11300#
1 1/2 Ton (6.50-20-6) front,
(32 x 6-10)D. rear,
Auxiliary Springs and
Governor 12300#

TRUCK WEIGHTS	HALF TON		1 1/2 TON			
	112" W.B.		131-1/2" W.B.		157" W.B.	
	Shipping	Curb	Shipping	Curb	Shipping	Curb
Chassis with cowl	2190#	2320#	3030#	3225#	3075#	3270#
On front wheels	1335#	1395#	1685#	1765#	1760#	1850#
On rear wheels	855#	925#	1345#	1460#	1315#	1420#
Chassis and cab	2575#	2715#	3390#	3585#	3435#	3530#
On front wheels	1535#	1620#	1910#	1990#	1985#	2075#
On rear wheels	1040#	1095#	1480#	1595#	1450#	1555#
Chassis, cab and pickup	2805#	2945#			- - -	- - -
On front wheels	1530#	1615#			- - -	- - -
On rear wheels	1275#	1330#			- - -	- - -
Panel truck	3030#	3160#			- - -	- - -
On front wheels	1465#	1525#			- - -	- - -
On rear wheels	1565#	1635#			- - -	- - -
Single unit express (Canopy Express)	3050#	3180#			- - -	- - -
On front wheels	1500#	1560#			- - -	- - -
On rear wheels	1550#	1620#			- - -	- - -
Carryall Suburban			- - -	- - -	- - -	- - -
On front wheels			- - -	- - -	- - -	- - -
On rear wheels			- - -	- - -	- - -	- - -

REVISIONS: Weights added - sheet revised

CHEVROLET 1937 SPECIFICATIONS

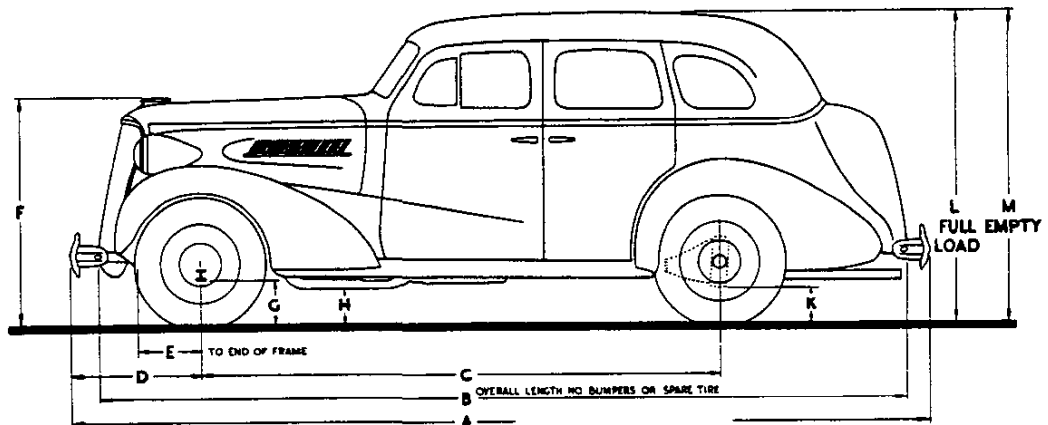
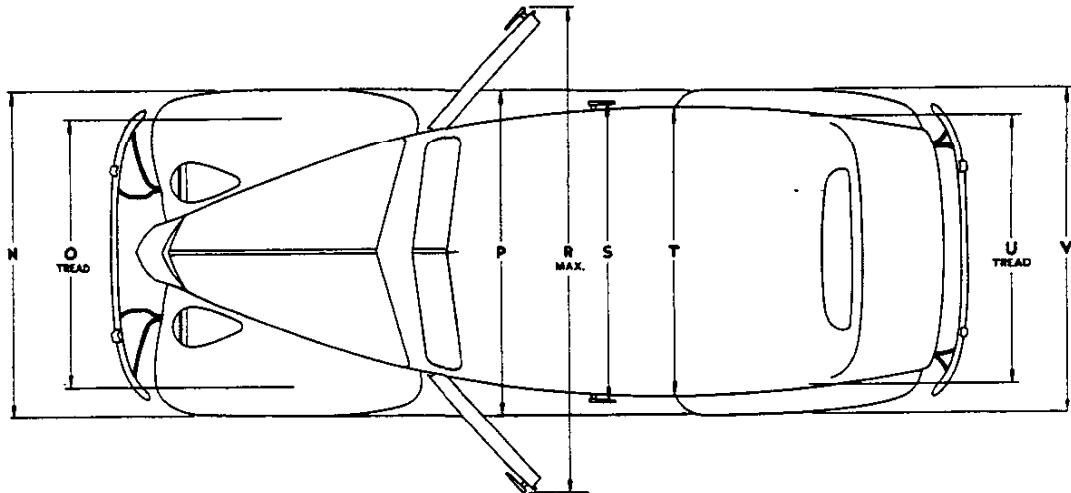
Supersedes Sheet No. 4 Dated 11-18-36

TRUCK WEIGHTS (Continued)	1 1/2 TON			
	131-1/2" W.B.		157" W.B.	
	Shipping	Curb	Shipping	Curb
Dual chassis and cowl	3120#	3300#	3200#	3380#
On front wheels (6.00-20-6 ply)	1665#	1745#	1735#	1825#
On rear wheels (6.00-20-6 ply)	1455#	1555#	1465#	1555#
Dual chassis and cab	3490#	3670#	3560#	3740#
On front wheels (6.00-20-6 ply)	1890#	1970#	1970#	2060#
On rear wheels (6.00-20-6 ply)	1600#	1700#	1590#	1680#
Dual chassis and cab	3550#	3745#	3630#	3825#
On front wheels (6.00-20-6 ply)	1875#	1955#	1975#	2065#
On rear wheels (32 x 6-8 ply)	1675#	1790#	1655#	1760#
Dual chassis and cab	3720#	3935#	3790#	4005#
On front wheels (6.00-20-6 ply)	1865#	1940#	1965#	2050#
On rear wheels (32 x 6-10 ply)	1855#	1995#	1825#	1955#
Dual chassis and cab	- - -	- - -	3640#	3835#
On front wheels (32 x 6-8 ply)	- - -	- - -	1995#	2085#
On rear wheels (32 x 6-8 ply)	- - -	- - -	1645#	1750#
Dual chassis and cab	- - -	- - -	3875#	4090#
On front wheels (32 x 6-10 ply)	- - -	- - -	2040#	2125#
On rear wheels (32 x 6-10 ply)	- - -	- - -	1835#	1965#
Dual stake	- - -	- - -	4890#	5105#
On front wheels (32 x 6-10 ply)	- - -	- - -	2100#	2185#
On rear wheels (32 x 6-10 ply)	- - -	- - -	2790#	2920#
Dual stake	4295#	4475#	4595#	4775#
On front wheels (6.00-20-6 ply)	1870#	1950#	2025#	2125#
On rear wheels (6.00-20-6 ply)	2425#	2525#	2570#	2660#
Dual stake	4370#	4565#	- - -	- - -
On front wheels (6.00-20-6 ply)	1860#	1940#	- - -	- - -
On rear wheels (32 x 6-8 ply)	2510#	2625#	- - -	- - -
Dual stake	4535#	4750#	4805#	5020#
On front wheels (6.00-20-6 ply)	1840#	1915#	2025#	2110#
On rear wheels (32 x 6-10 ply)	2695#	2835#	2780#	2910#
Dual stake	- - -	- - -	4655#	4850#
On front wheels (32 x 6-8 ply)	- - -	- - -	2040#	2130#
On rear wheels (32 x 6-8 ply)	- - -	- - -	2615#	2720#

TRUCK BODY WEIGHTS	HALF TON	1 1/2 TON	
	112" W.B.	131-1/2" W.B.	157" W.B.
Cab		480#	
Flat face cowl		78#	
Cowl and windshield		105#	
Pick-up box	230#	460#	- -
Top and curtains for above box	100#	- -	- -
Carryall suburban	1046#	- -	- -
Panel	928#	1077#	- -
Single unit (Canopy) express	890#	1012#	- -
Side and rear screens for above body	60#	75#	- -
Platform	- -	515#	694#
Stake racks	- -	290#	341#
Stock racks	- -	- -	589#
Express platform	- -	- -	680#
Express racks	- -	- -	376#

REVISIONS: Chassis and body weights added

CHEVROLET 1937 SPECIFICATIONS



EXTERIOR DIMENSIONS

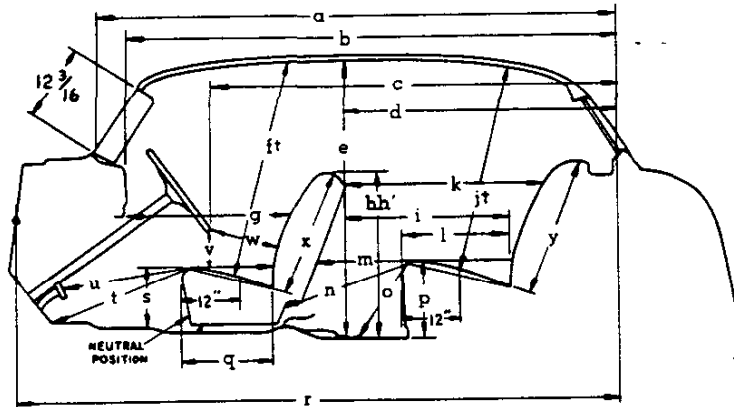
	MASTER DELUXE						MASTER					
	SPORT SEDAN	TOWN SEDAN	SEDAN	COACH	BUSINESS COUPE	SPORT COUPE	SPORT SEDAN	TOWN SEDAN	SEDAN	COACH	BUSINESS COUPE	CABRIOLET
A	184-7/8	184-7/8	187-1/4	187-1/4	184-7/8	187-1/4	184-7/8	184-7/8	187-1/4	187-1/4	184-7/8	187-1/4
B	173-1/4	173-1/4	171-3/4	171-3/4	171-3/4	171-3/4	173-1/4	173-1/4	171-3/4	171-3/4	171-3/4	171-3/4
C	112-1/4	112-1/4	112-1/4	112-1/4	112-1/4	112-1/4	112-1/4	112-1/4	112-1/4	112-1/4	112-1/4	112-1/4
D	27-7/8	27-7/8	27-7/8	27-7/8	27-7/8	27-7/8	27-7/8	27-7/8	27-7/8	27-7/8	27-7/8	27-7/8
E	15-1/2	15-1/2	15-1/2	15-1/2	15-1/2	15-1/2	18-1/2	18-1/2	18-1/2	18-1/2	18-1/2	18-1/2
F	48-1/2	48-1/2	48-1/2	48-1/2	48-1/2	48-1/2	49-9/16	49-9/16	49-9/16	49-9/16	49-9/16	49-9/16
G	9-3/8	9-3/8	9-3/8	9-3/8	9-3/8	9-3/8	8-5/8	8-5/8	8-5/8	8-5/8	8-5/8	8-5/8
H	8-1/4	8-1/4	8-1/4	8-1/4	8-1/4	8-1/4	9	9	9	9	9	9
K	8-1/2	8-1/2	8-1/2	8-1/2	8-1/2	8-1/2	8-1/2	8-1/2	8-1/2	8-1/2	8-1/2	8-1/2
L	66-7/8	66-7/8	66-7/8	66-7/8	66-1/8	66-1/8	66-7/8	66-7/8	66-7/8	66-7/8	66-1/8	66-1/4
M	67-3/4	67-3/4	67-3/4	67-3/4	67-1/4	67-1/4	68-3/8	68-3/8	68-3/8	68-3/8	67-1/4	67-3/8
N	69-3/4	69-3/4	69-3/4	69-3/4	69-3/4	69-3/4	69-3/4	69-3/4	69-3/4	69-3/4	69-3/4	69-3/4
O	57-1/4	57-1/4	57-1/4	57-1/4	57-1/4	57-1/4	56-3/8	56-3/8	56-3/8	56-3/8	56-3/8	56-3/8
P	70-1/4	70-1/4	70-1/4	70-1/4	70-1/4	70-1/4	70-1/4	70-1/4	70-1/4	70-1/4	70-1/4	70-1/4
R												
S	67-1/4	67-1/4	67-1/4	67-1/4	67-1/4	67-1/4	67-1/4	67-1/4	67-1/4	67-1/4	67-1/4	67-1/4
T	62-1/2	62-1/2	62-1/2	62-1/2	62-1/2	62-1/2	62-1/2	62-1/2	62-1/2	62-1/2	62-1/2	62-1/2
U	57-9/16	57-9/16	57-9/16	57-9/16	57-9/16	57-9/16	57-9/16	57-9/16	57-9/16	57-9/16	57-9/16	57-9/16
V	69-5/16	69-5/16	69-5/16	69-5/16	69-5/16	69-5/16	69-5/16	69-5/16	69-5/16	69-5/16	69-5/16	69-5/16

Note: - Car height figures depend on tire pressures, load and load distribution.

REVISIONS:

CHEVROLET 1937 SPECIFICATIONS

Supersedes Sheet No. 6 Dated 11-18-36



† Taken 15" over from ϵ car.

PASSENGER CARS

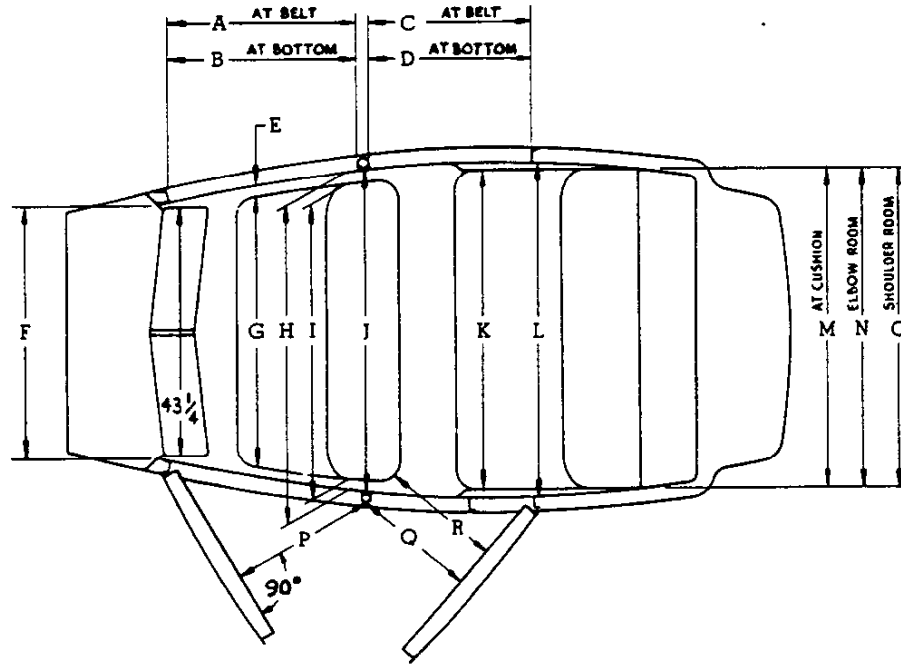
	SPORT SEDAN	TOWN SEDAN	SEDAN	COACH	BUSINESS COUPE	SPORT COUPE	CABRI- OLET
a	92"	92"	92"	92"	61-1/4"	61-1/4"	66-1/2"
b	86-7/8"	86-7/8"	86-7/8"	86-7/8"	56"	56"	61-3/8"
c	73"	73"	73"	73"	42-1/4"	42-1/8"	47-1/2"
@ d	49-1/2"	49-1/2"	49-1/2"	49-1/2"	18-1/2"	17-3/4"	- -
e	48-1/8"	48-1/8"	48-1/8"	48-1/8"	- -	- -	- -
f	36-7/8"	36-7/8"	36-7/8"	36-7/8"	36-1/4"	36-1/4"	36-3/4"
@ g	29"	29"	29"	29"	29"	29-1/2"	29"
h	30-1/2"	30-1/2"	30-1/2"	30-1/2"	31-1/4"	30-1/2"	
h'	30-1/2"	29"	30-1/2"	29"	31-1/4"	- -	30-1/4"
i	30-1/8"	30-1/8"	30-1/8"	30-1/8"	- -	- -	- -
j	35-1/2"	35-1/2"	35-1/2"	35-1/2"	- -	- -	- -
@ k	37"	37"	37"	37"	- -	- -	- -
l	18-5/8"	18-5/8"	18-5/8"	18-5/8"	- -	- -	- -
m	35-3/4"	35-3/4"	35-3/4"	35-3/4"	- -	- -	- -
@ n	42-1/2"	43-1/2"	42-1/2"	41-1/2"	- -	- -	- -
o	37-9/16"	37-9/16"	37-9/16"	37-9/16"	- -	34-1/8"	34-1/8"
p	13-5/8"	13-5/8"	13-5/8"	13-5/8"	- -	- -	- -
q	18-3/16"	18-3/16"	18-3/16"	18-3/16"	18-3/16"	18-3/16"	18-3/8"
r	106"	106"	100"	106"	75-1/8"	75-1/8"	80-1/2"
@ s	12-3/4"	12-3/4"	12-1/2"	12-3/4"	12-3/4"	12-3/4"	
t	37-3/4"	37-3/4"	37-3/4"	37-3/4"	37-3/4"	37-3/4"	37-3/4"
u	34-5/8"	34-5/8"	34-5/8"	34-5/8"	34-5/8"	34-5/8"	34-5/8"
v	6-7/8"	6-7/8"	6-7/8"	6-7/8"	6-7/8"	6-7/8"	6-7/8"
w	11-3/8"	11-3/8"	11-3/8"	11-3/8"	11-3/8"	11-3/8"	11-3/8"
@ x	23-1/2"	23-1/2"	23-1/2"	23-1/2"	23-1/2"	23-1/2"	
@ y	25-3/4"	25-3/4"	25-3/4"	25-3/4"	- -	- -	- -

h = MASTER DELUXE
h' = MASTER

@ - This dimension measured in car.

CHEVROLET 1937 SPECIFICATIONS

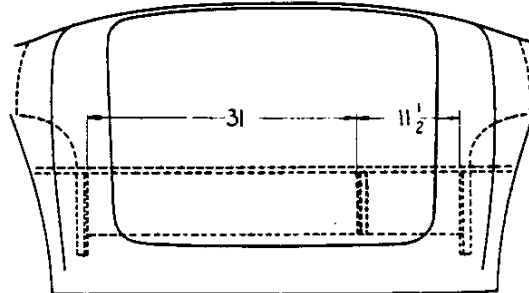
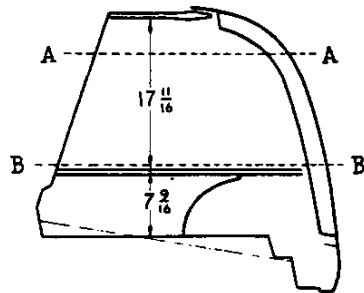
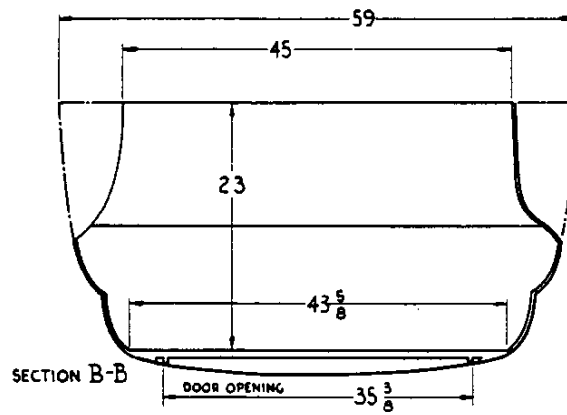
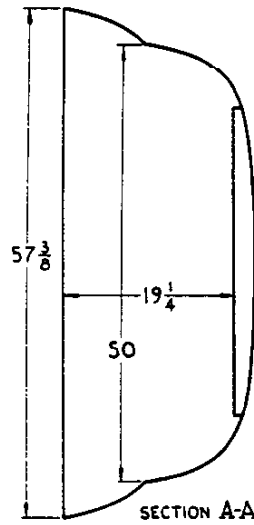
Supersedes Sheet No. 7 Dated 11-18-36



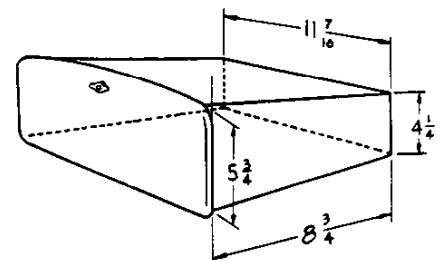
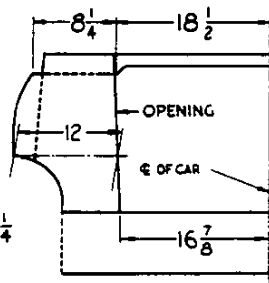
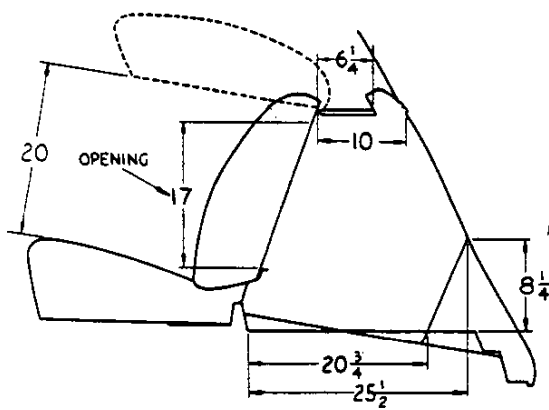
PASSENGER CARS

	SPORT SEDAN	TOWN SEDAN	SEDAN	COACH	BUSINESS COUPE	SPORT COUPE	CABRI- OLET
A	32-5/8"	42-5/8"	32-5/8"	42-5/8"	38-3/8"	38-3/8"	39-7/16"
ⓐ B	32-1/2"	43"	32-1/2"	43"	38"	38"	
C	28"	- -	28"	- -	- -	- -	- -
ⓐ D	17"	- -	17"	- -	- -	- -	- -
E	2"	3"	2"	3"	3"	3"	3"
F	44-1/4"	44-1/4"	44-1/4"	44-1/4"	44-1/4"	44-1/4"	44-1/4"
G	48"	46"	48"	46"	46"	46"	46"
ⓐ H	52"	53"	52"	54"	53"	53"	
ⓐ I	48"	45-1/2"	48"	45-1/2"	46"	45-1/2"	
ⓐ J	52"	54"	52"	54-1/2"	54"	54"	
ⓐ K	52-1/2"	49-1/2"	52-1/2"	50"	- -	- -	- -
ⓐ L	54"	- -	54"	- -	- -	- -	- -
M	45"	45"	45"	45"	- -	43"	43"
ⓐ N	56"	52"	56"	52-1/2"	- -	- -	- -
ⓐ O	52-1/2"	52-1/2"	52-1/2"	52-1/2"	- -	- -	- -
ⓐ P	25"	37"	28"	38"	34"	34"	
ⓐ Q	20"	- -	22"	- -	- -	- -	- -
ⓐ R	19"	- -	20"	- -	- -	- -	- -

ⓐ - This dimension measured in car.



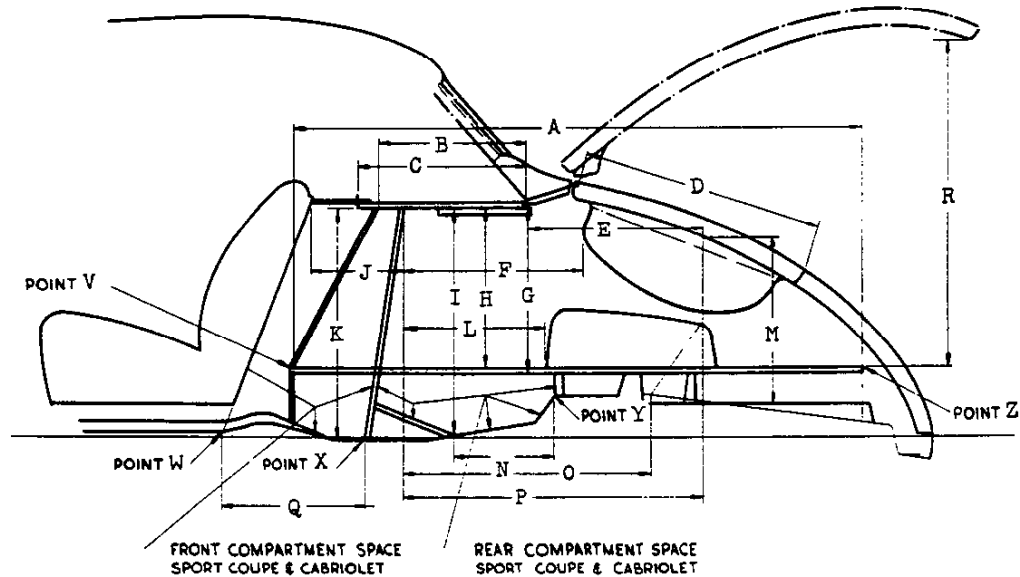
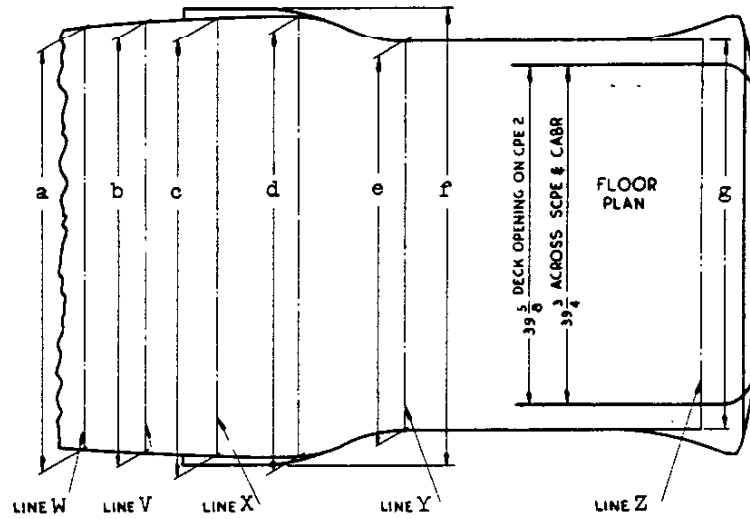
TRUNK LUGGAGE SPACE
Capacity - 12 cubic feet



GLOVE
COMPARTMENT

SEDAN AND COACH LUGGAGE SPACE
Capacity - 13 cubic feet

CHEVROLET 1937 SPECIFICATIONS



	SPORT COUPE	CABRIOLET	BUSINESS COUPE
A	--	--	64-3/4"
B	--	--	17"
C	18"	19-1/4"	18-1/2"
D	27-5/8"	27-5/8"	--
E	20-5/8"	21-3/4"	--
F	21"	21-1/2"	--
G	19-1/2"	15-1/2"	--
H	--	--	19"
I	26-1/2"	22-1/2"	--
J	11"	12"	--
K	27"	23"	--
L	17-1/8"	17-5/8"	--
M	18-1/2"	18-1/2"	--

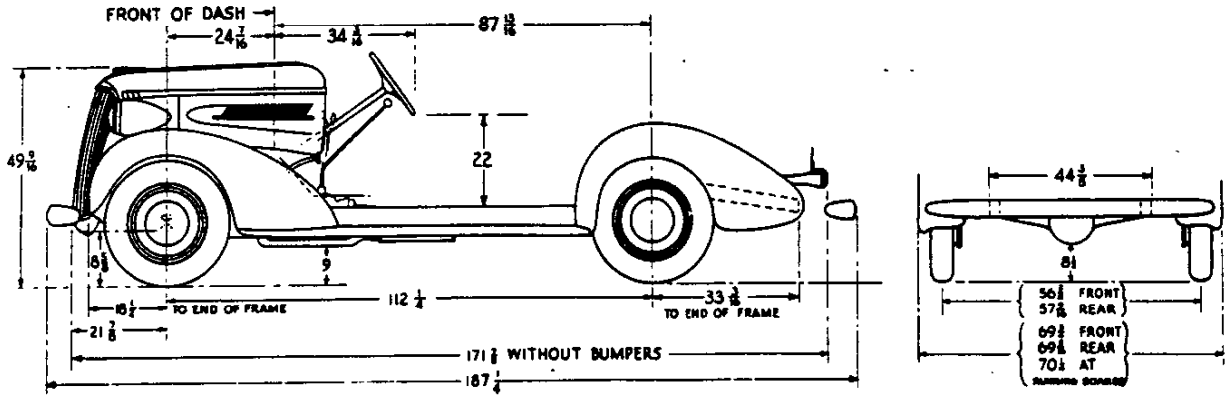
(CONTINUED)			
	SPORT COUPE	CABRIOLET	BUSINESS COUPE
N	11-1/4"	11-1/4"	--
O	28-3/8"	28-7/8"	--
P	34-1/2"	35"	--
Q	16-5/8"	16-5/8"	--
R	--	--	39-1/4"
a	48-3/4"	48-3/4"	--
b	--	--	50"
c	50-3/4"	50-3/4"	--
d	50-3/4"	50-3/4"	--
e	44-3/4"	44-3/4"	44-3/4"
f	--	--	54-1/4"
g	--	--	44"

REVISIONS:

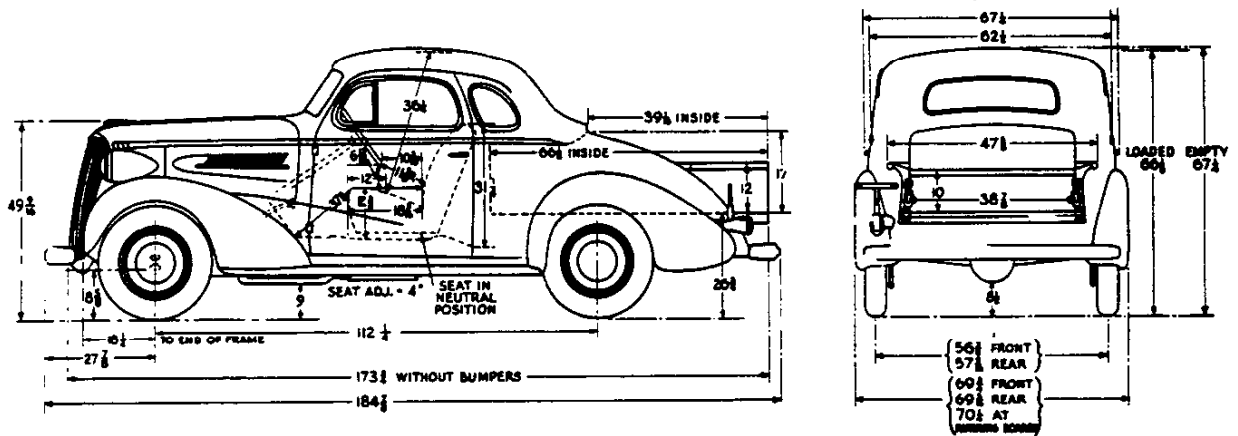
CHEVROLET 1937 SPECIFICATIONS

Supersedes Sheet No. 10 Dated 11-18-36

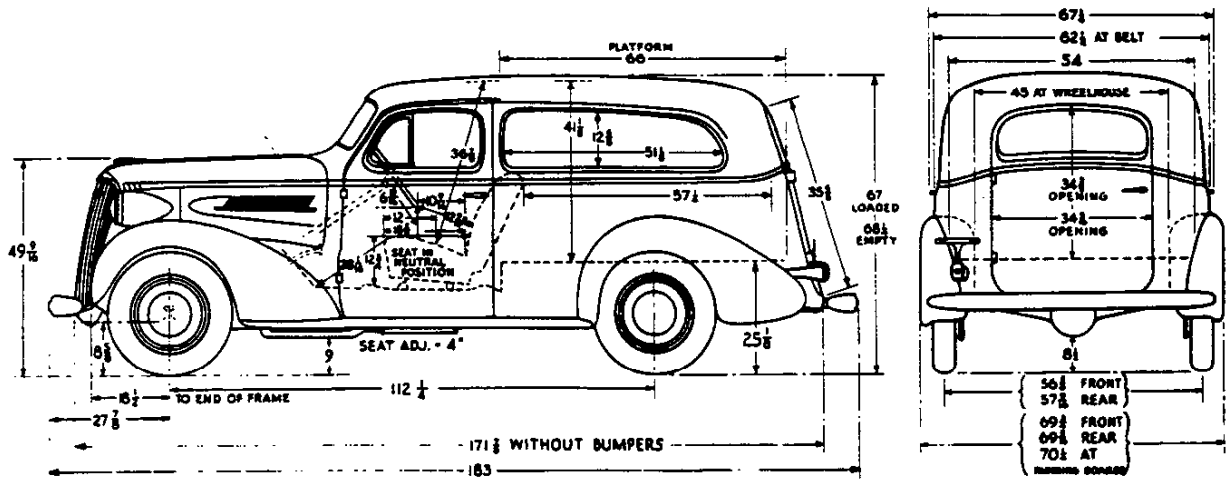
Unless otherwise specified, all vertical dimensions are given for loaded condition.



PASSENGER CAR CHASSIS



COUPE PICKUP
(Master Chassis)

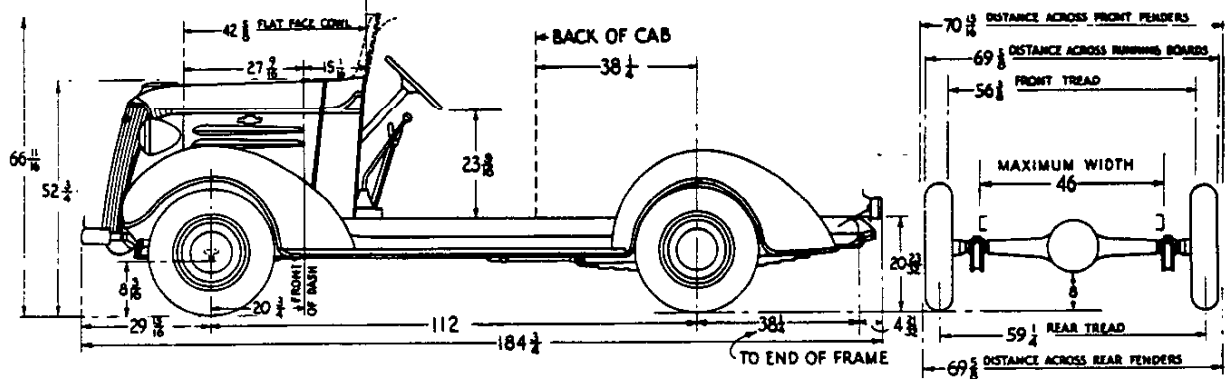


SEDAN DELIVERY (Master Chassis)

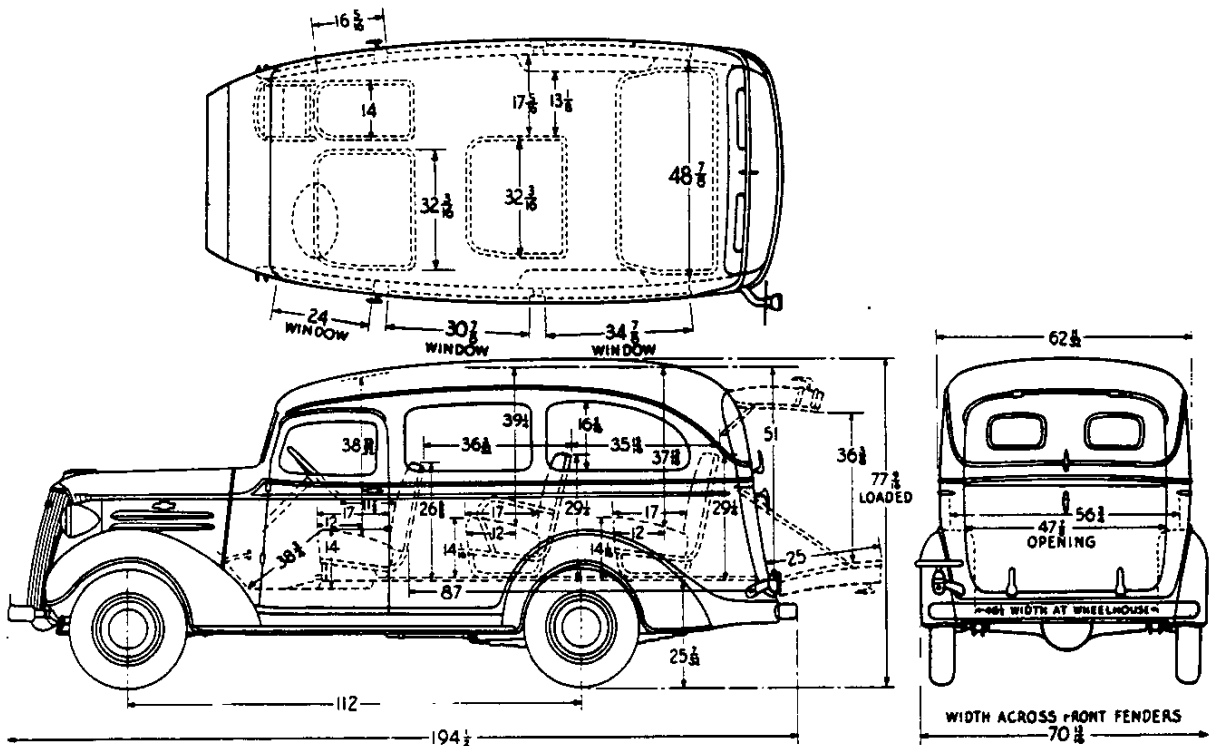
REVISIONS: Sheet revised to latest details

CHEVROLET 1937 SPECIFICATIONS

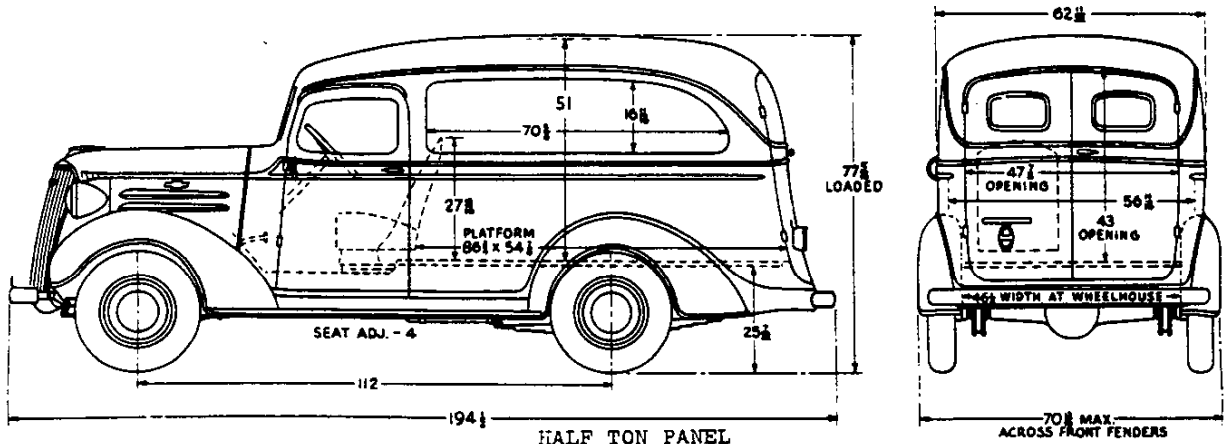
Supersedes Sheet No. 11 Dated 11-18-36



HALF TON CHASSIS



HALF TON
CARRYALL SUBURBAN

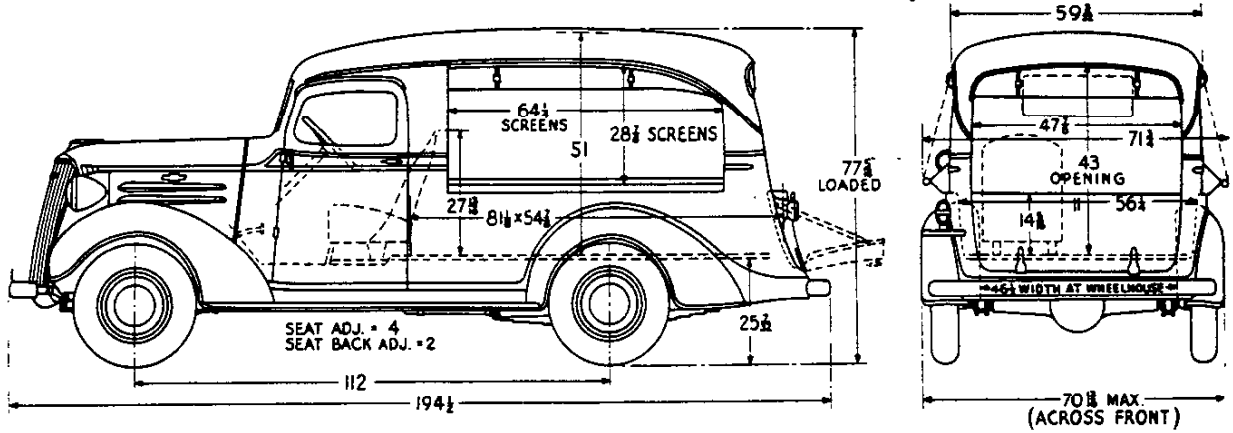


HALF TON PANEL

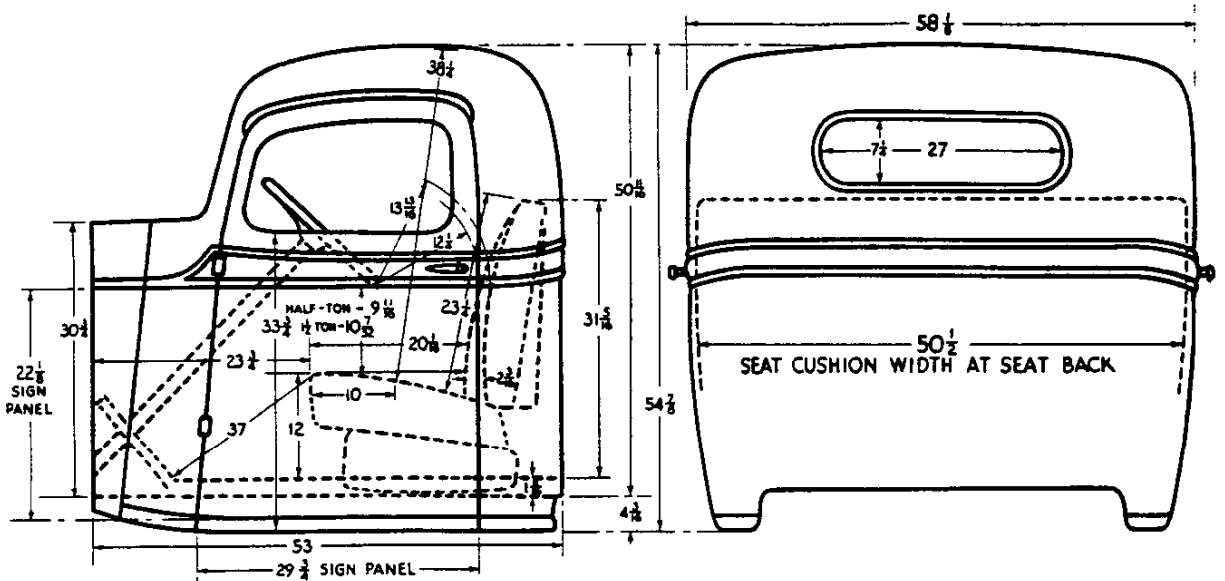
REVISIONS: Sheet rearranged

CHEVROLET 1937 SPECIFICATIONS

Supersedes Sheet No. 12 Dated 11-18-36

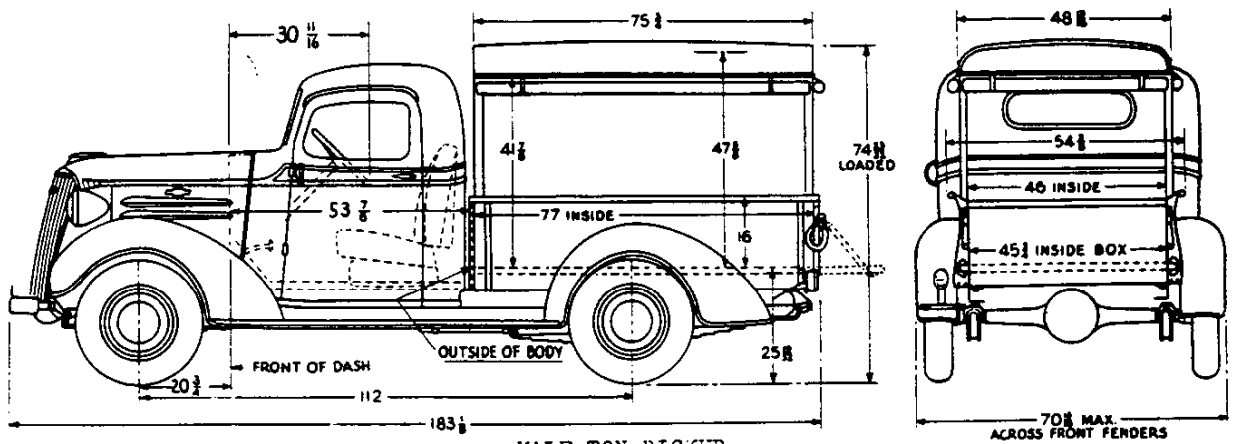


HALF TON CANOPY EXPRESS



DOOR OPENING WIDTH AT BELT - 28 1/2

TRUCK CAB
(Used on HALF TON
& 1 1/2 TON Chassis)

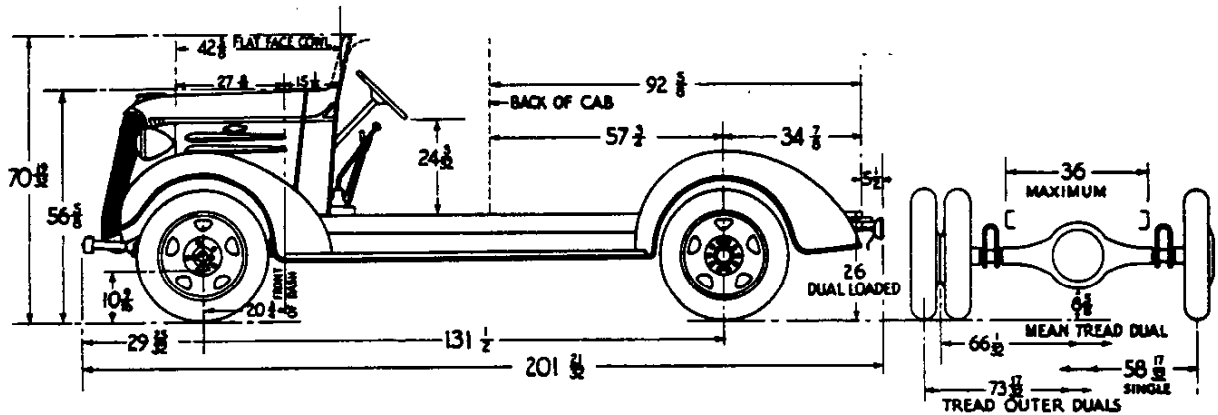


HALF TON PICKUP

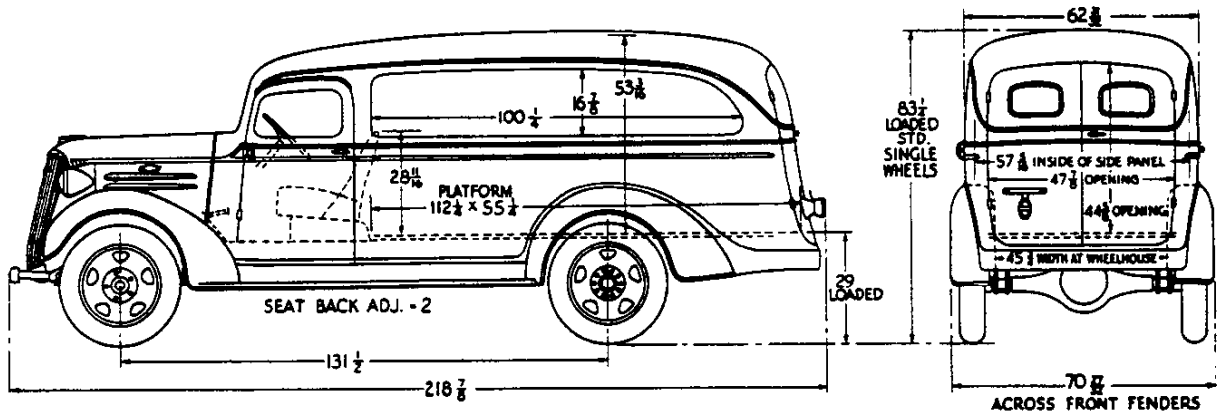
REVISIONS: Sheet rearranged

CHEVROLET 1937 SPECIFICATIONS

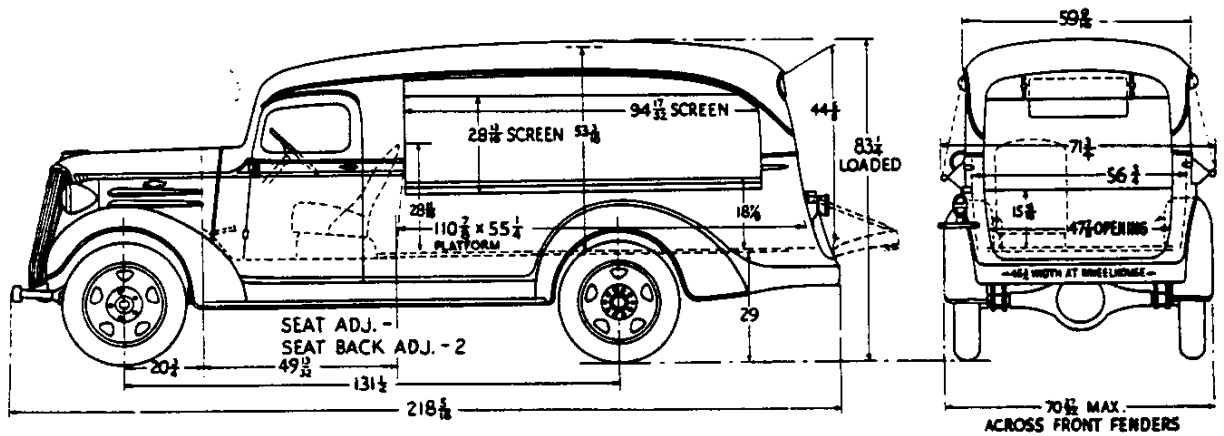
Supersedes Sheet No. 13 Dated 11-18-36



131-1/2" 1 1/2 TON CHASSIS



131-1/2" 1 1/2 TON PANEL

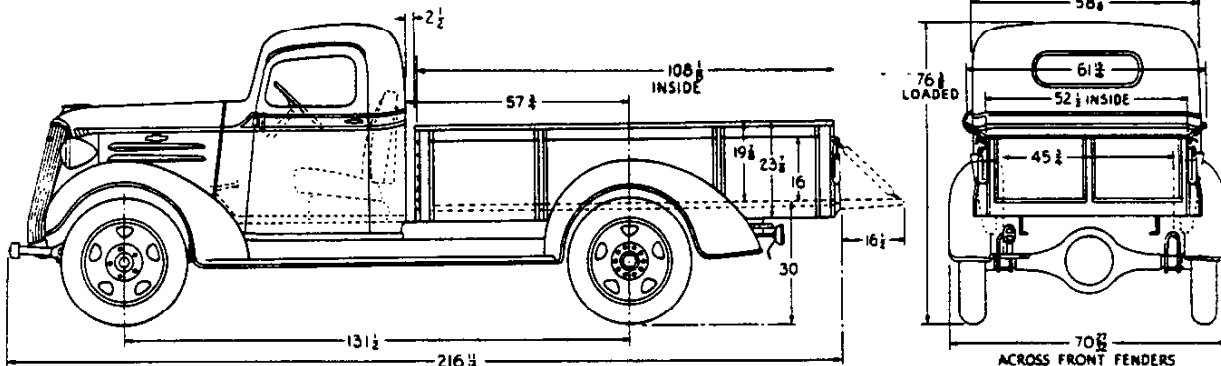


131-1/2" 1 1/2 TON CANOPY EXPRESS

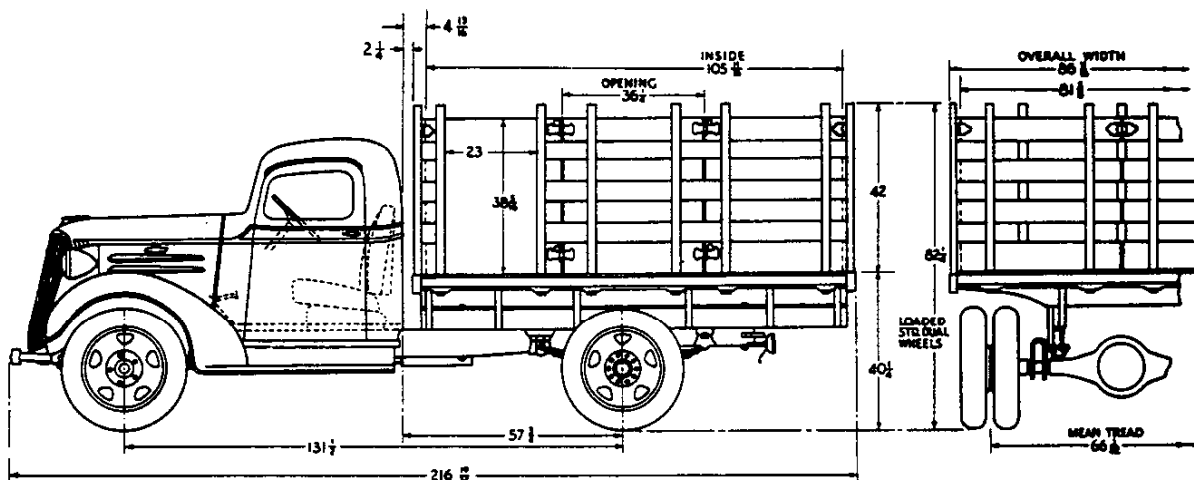
REVISIONS: Sheet rearranged

CHEVROLET 1937 SPECIFICATIONS

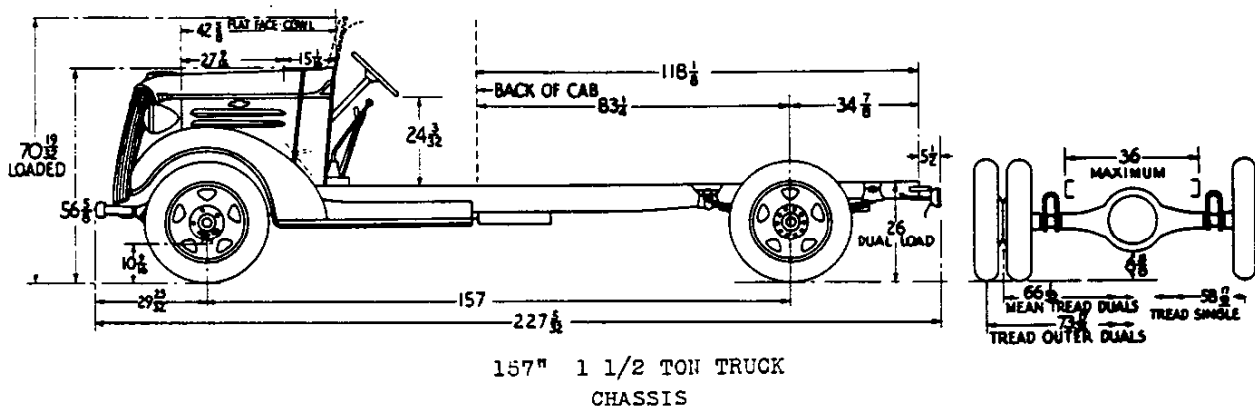
Supersedes Sheet No. 14 Dated 11-18-36



131-1/2" 1 1/2 TON
OPEN EXPRESS PICKUP



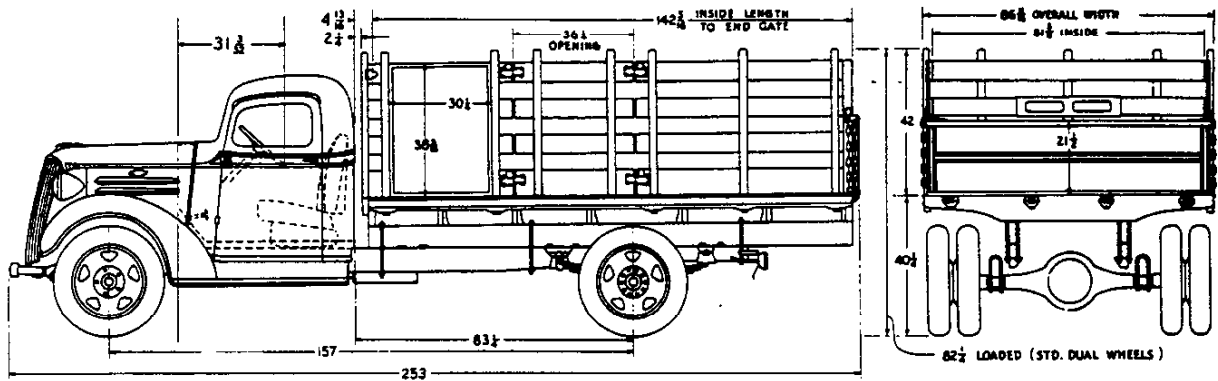
131-1/2" 1 1/2 TON STAKE



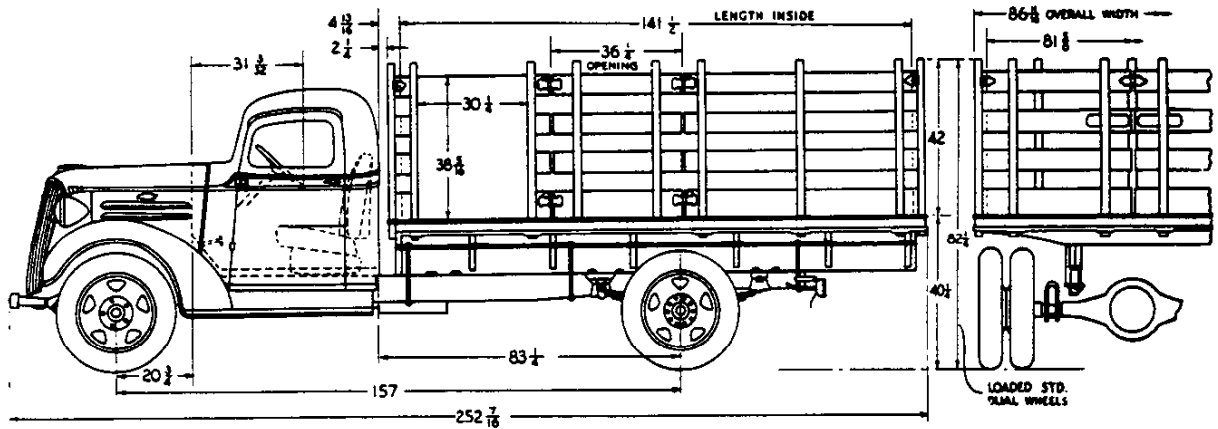
157" 1 1/2 TON TRUCK
CHASSIS

REVISIONS: Sheet rearranged

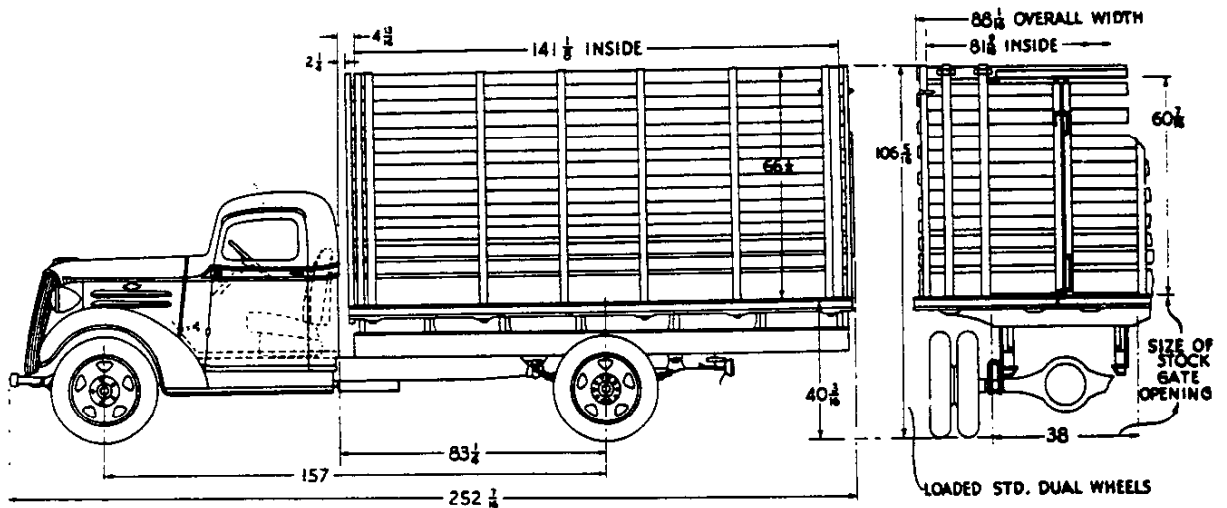
CHEVROLET 1937 SPECIFICATIONS



157" 1 1/2 TON
STAKE EXPRESS



157" 1 1/2 TON STAKE



157" 1 1/2 TON STOCK RACK

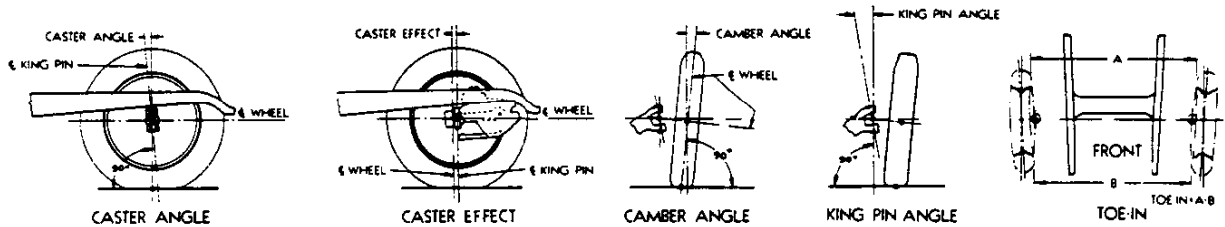
REVISIONS: New sheet added.

CHEVROLET 1937 SPECIFICATIONS

Supersedes Sheet No. 15 Dated 11-18-36

FRAME	PASSENGER CARS	TRUCKS		
		HALF TON	1 1/2 TON	
Type	"Box Girder"	Conventional		
Gross members	4 (3 box section, one L section) and engine rear support.	5, channel and box section.	131-1/2" WB - 5 157" WB - 6 Channel and box sections	
Overall length	160-15/16"	169-49/64"	131-1/2" WB - 185-25/64" 157" WB - 210-57/64"	
Width	at front	27-9/16"	25-45/64"@	
	at rear	44-3/8"	46"	
Total taper per foot	— — — — —	1.694"	1.632"	
Side rail	Construction	Box section	Channel section	
	Depth	4-31/64"	5-3/4"*	
	Flange width	3-7/8"	2-1/4"*	
	Thickness	3/32" box section 5/32" double flanges	9/64"*	
	Section modulus	1.597 cu.in.	2.30 cu.in.*	
	Kickup	front	3-5/8"	None*
		rear	6-1/16"	4"*
Material	Specification	GMC #1025 hot rolled pressed steel.*		
	Elastic limit	41,000 pounds per square inch.*		
	Elongation in 2"	35% to 40%.*		

@ Note: At spring eye centerline and outside of side rail intersection.



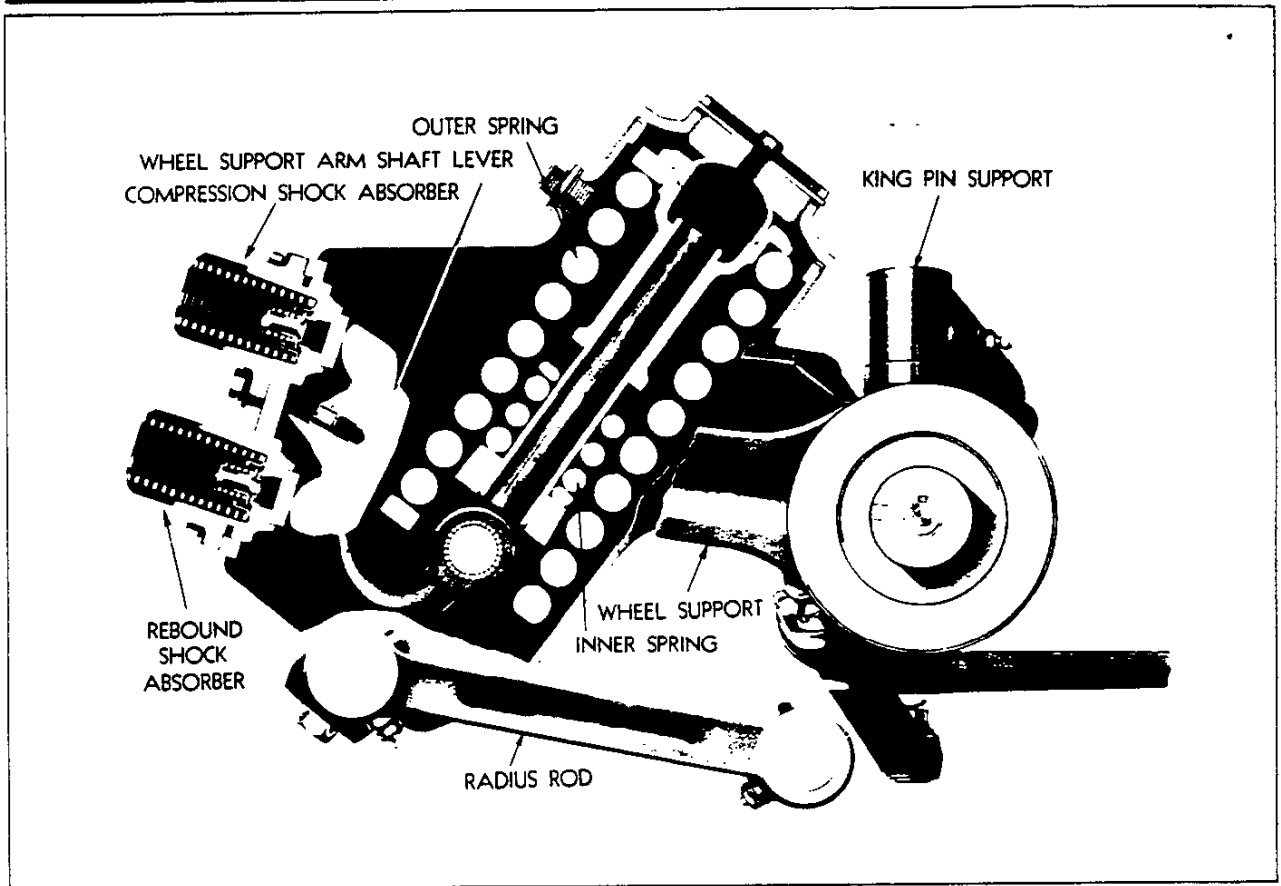
FRONT WHEEL ALIGNMENT	PASSENGER CARS		TRUCKS	
	MASTER DELUXE	MASTER	HALF TON	1 1/2 TON
King pin angle	7° 45'*	7° 10' ± 1°	7° 10' ± 1°	7° 10' ± 1°
Camber	1/4° to 3/4°	1/2° to 1-1/2°*	1/2° to 1-1/2°*	1/2° to 1-1/2°*
Caster	@@	2° 15' ± 1/2	1° 45' ± 1/2	2° 45' ± 1/2°
Toe-in	1/16" to 3/32"*	5/64" to 1/8"*	5/64" to 1/8"*	5/64" to 1/8"*
Tread	57-17/64"*	56-3/8"*	56-3/8"*	58-1/16"
Wheel travel for steering (from neutral to stop)	37°	36°*	36°*	30-1/2°*
Wheel setting	L.H. 4-15/16"*	Inside 23°	In 23°	In 23°
	R.H. 4-11/16"*	Outside 20°	Out 20°	Out 20°

@@ - Caster effect at wheel of Master Deluxe (Knee action) is obtained by trailing wheel center behind center of king pin. Caster, king pin angle and camber are taken from frame with approved Chevrolet gauge with curb weight

on spindles.

Wheel setting is measured from bottom of king pin support to bottom of brake flange plate under curb load.

REVISIONS: Caster - camber limits revised



MASTER DELUXE PASSENGER CAR KNEE ACTION FRONT SUSPENSION
DESCRIPTION WHEEL TRAVEL

At each wheel two large coil springs mounted one within the other and fully enclosed in a pressed steel housing are actuated by leverage of wheel support arm. Radius rod from unit to brake flange prevents unit from turning. Units are attached to frame king pin support member.

For steering 37° from
neutral to stop
Vertical 2-7/8" normal setting
to bumper*
Ratio - wheel to spring 3.52 to 1*

Effect of wheel travel on spring pressure:
Wheel travels on a vertical path from normal
setting position 2-1/8" at the rate of 123
pounds per inch and another 23/32" at the rate
of 550 pounds per inch. During the 2-1/8"
wheel travel the outer spring travels 5/8"
and during the 23/32" wheel travel both springs
travel 1/4" at the rate of 6820 pounds per
inch.

Springs	Outer	Inner
Type	Coil*	
Material	Silico Manganese Steel*	
Gauge (Dia.)	11/16"*	7/16"*
Free Length	9-11/16"*	1-27/32"*
Working Length	8" at 2620# Load*	1-21/32" at 1000# Load*
Coils, Number	11	4*
Coils O.D.	3-19/32"*	1-31/32"*
Compression (Lbs./inch)	1520*	5300*

WHEEL SUPPORT BEARINGS

Type Special rollers*
Number of rollers - Inner 42*
- Outer 49*
Roller - diameter 3/32"*
- length, - Inner 1-3/16"*
- length, - Outer 31/32"*

SPRING FREQUENCY

At curb load 79 cycles per minute*
At full load 76 cycles per minute*

CHEVROLET 1937 SPECIFICATIONS

MASTER DELUXE PASSENGER CAR KNEE ACTION FRONT SUSPENSION (CONTINUED)
ARM SHAFT LEVER BEARING SPINDLE

Type Special rollers* Attachment Pressed
Number 32* into wheel support arm and peened*
Roller - diameter 3/32"* Dia.-At inner bearing 1.1890 - 1.1895*
- length 31/32"* -At outer bearing7490 - .7495*

WHEEL BEARINGS

Make New Departure*
Number - Inner 909002*
- Outer 909001*

KING PIN BEARINGS

Type Floating bushings
Length 1-5/16"

KING PIN

Diameter866"*

KING PIN THRUST BEARING

Type Special ball*
Location Above knuckle*

FRONT AXLE		PASSENGER	TRUCKS	
		MASTER	HALF TON	1 1/2 TON
Type		Reversed Elliott modified I-beam section		
I-beam	Height	2"*	2-1/8"*	2-11/32"*
	Width	1-5/8"*	1-3/4"*	2-1/16"*
	Flange thickness (nominal)	1/4"*	7/32"*	5/16"*
	Web	7/32"	1/4"*	3/8"*
Road clearance at full load		8-5/8"	8-3/16"	10-9/16"*
King pin	Diameter	.7355"-.7340"		.9210"-.9215"
	Material	Cold drawn steel		
King pin bushings	Type	Cast bronze	Hard rolled bronze*	
	Outside diameter	.9208-.9215	.859	1.0465*
	Length	1-17/64"	1-17/64"	1-17/64"*
King pin thrust bearings	Type	Special ball*		
	Location	Below axle*		
Wheel bearing	Make	New Departure		
	Number-Inner	909002*	909026*	
	Number-Outer	909001*	909025*	
Spindle diameter	Inner	1.1890"-1.1895"		1.4051"-1.4056"
	Outer	.7490"-.7495"		.8427"-.8432"

CHEVROLET 1937 SPECIFICATIONS

CLUTCH

Type Single dry plate*
 Pedal } Pass. & 1/2 TON - On brake main cyl.*
 Mounting } 1 1/2 TON truck - On clutch housing*
 Clutch springs Nine*
 Total clutch spring pressure 1017 lbs.*
 Clutch rated torque capacity ... 192 ft.lbs.
 Pressure levers Three*
 Clutch fork Pivot mounted on ball*
 Clutch drive Thru radial posts*
 Driving discs One*
 Driven discs One*
 Disc vibration insulation .. Cushion springs
 at hub*

Total area-Pass. cars
 and HALF TON 65.87 sq.in.*
 1 1/2 TON Truck 95.72 sq.in.*

CLUTCH BEARINGS

Throwout bearing-material .. Carbon graphite*
 Inside diameter ... 1-1/2"*
 Outside diameter ... 2-3/8"*
 Thickness 3/4"*
 Thrust bearing-material Cast iron*
 Clutch pilot bearing-make ... New Departure*
 -number 907109*

FLYWHEEL

Diameter 13-5/16"
 Assembly weight 36.4 lbs.
 Material Cast iron*
 Ring gear- type Steel, shrunk on*
 teeth 139
 teeth in mating gear 9*
 width 1/2"*

DISC FACING

Material Asbestos composition*
 Inside diameter 6-1/4"*
 Thickness122" - .128"*
 Outside dia.-Pass. cars and HALF TON ... 9"*
 -1 1/2 TON Truck 10"*

STEERING	PASSENGER CARS		
	MASTER DELUXE	MASTER	TRUCKS
Type of linkage	Fore and aft*		
Type of gearing	Semi-reversible worm and ball bearing roller sector.*	Semi-reversible worm and sector*	
Gear	Ratio	17-1/2 to 1*	16 to 1
	Mainshaft dia.	3/4"*	
	Column dia.	1-1/2"*	
	Column adj.	No*	
Wheel	Type	Three spoke thin grip*	
	Material	Rubber and steel*	
	Diameter	17-5/16"*	
	Turns		
Minimum turning diameter	Right hand		
	Left hand		
Min. turning dia. within a walled circle	Right hand		
	Left hand		
Pitman arm shaft diameter	1.1235" - 1.1245"*	1.1235" - 1.1240"*	

REVISIONS:

CHEVROLET 1937 SPECIFICATIONS

SPRINGS GENERAL DATA		PASSENGER		TRUCK		
		MASTER-FRONT	ALL-REAR	ALL-FRONT	1/2 TON REAR	1 1/2 TON REAR
Type		Semi-elliptic*				
Material		Chrome Vanadium 1 1/2 TON front only*			Silico manganese steel*	
		Others chrome carbon steel*				
Type of leaf ends		Tapered* SDL-curved down	Curled down* 1 1/2 TON front flat		Flat*	
Shackle	Location	At rear*		At front*	At rear*	
	Type	Threaded*			Plain*	
Shackle Pins	Material	Cold drawn steel*				
	Diameter	21/32", 11 threads per inch. Ends taper from 9/16" dia. down at rate of 1-1/2 inches per foot.*			7/8"	
Spring Eye Bolt	Material	Cold drawn steel*	Hardened steel*	Cold drawn steel*		
	Diameter	11/16"*	1/2"*	11/16"*		7/8"*
	Type	Threaded for eye bushings*	Inlox; rubber and steel bushing*	Plain*		
Front Bushing	Material	Cold drawn steel*		Bronze*	Hot rolled steel*	
	Diameter	7/8 O.D.*	1/2 I.D.*	7/8 O.D.*		1-9/64 O.D.
	Length	1-3/4"*	2.405*	1-3/4*		2-1/2
	Housing Mat'l.		Steel*	None*		
	O.D.	None*	1-5/32" Dia. *			
Length		2"				
Rear Bushing	Type	Hardened for shackle pin*		Plain*	Threaded for shackle pin*	Plain*
	Material	Cold drawn steel*		Bronze*	Cold drawn steel*	Hot rolled steel*
	O.D.			7/8"		1-9/64"
	Length			1-3/4"		2-1/2"
Spring attachment to axle		2 U Bolts per spring*				
Spring U bolt	Material	Hot rolled steel*				
	Diameter	1/2"			5/8"	
Spring bumper		Solid rubber				
Spring covers		None*	Sheet metal DMAS*	None*		
Spring mounting		Parallel*		8°4'(1/2 TON) 7°49'(1 1/2 TON) included angle	8°4' included angle	Parallel*
Distance between spring centers		42-5/16 DMAS 28-1/8 MASTER	44-11/16"	26-13/16"	42-1/2"	42"

REVISIONS:

CHEVROLET 1937 SPECIFICATIONS

PASSENGER CAR SPRINGS	MASTER DELUXE		MASTER				
	Rear		Front		Rear		
	All but Bus. Cpe & Spt.Cpe	Bus. Spt. Cpe Cpe	Pass. Cars	Sedan Deliv.	All but Cpe,Sed. Del. & Cabriolet	Cabriolet & Bus. Coupe	Sedan Deliv.
Number of leaves	8	7	9	8	7	8	
Gauge of leaf #1	.238"	.238"	.203"	.238"	.238"	.238"	.259"
2	.238"	.238"	.203"	.238"	.238"	.238"	.259"
3	.238"	.220"	.220"	.238"	.238"	.220"	.238"
4	.238"	.220"	.220"	.220"	.238"	.220"	.238"
5	.238"	.220"	.203"	.220"	.238"	.220"	.238"
6	.220"	.220"	.203"	.220"	.220"	.220"	.238"
7	.220"	.220"	.203"	.220"	.220"	.220"	.238"
8	.220"	- -	.203"	.220"	.220"	- -	.238"
9	- -	- -	.220"	- -	- -	- -	- -
Total thickness	1.850"	1.576"	1.878"	1.814"	1.850"	1.576"	1.946"
Spring length	49"	49"	36"*	49"	36"*	49"	36"*
Width	1-3/4"*						
Working height	1/16"		7/16"	1/2"	1/16"		
Load at working height	900# to 1000#	715# to 785#	580# to 640#	900# to 1000#	715# to 785#	1000# to 1100#	
Deflection	129#/"	105#/"*	235#/"	129#/"	105#/"	150#/"	
Frequency (cycles per minute)							
At curb load							
At full load							

TRUCK SPRINGS	HALF TON		1 1/2 TON				
	Front	Rear	Front	All except UPAN		UPAN	
				Rear	Auxiliary@	Both	Rear
Number of leaves	8*		9*	10*	6*	16*	8*
Gauge of leaf #1	.284"	.300"	.340"	.340"	.340"	- -	.312"
2	.284"	.300"	.284"	.340"	.340"	- -	.312"
3	.259"	.300"	.284"	.340"	.340"	- -	.312"
4	.259"	.300"	.284"	.340"	.340"	- -	.312"
5	.259"	.300"	.259"	.340"	.340"	- -	.284"
6	.259"	.300"	.259"	.340"	.340"	- -	.284"
7	.259"	.300"	.259"	.3125"	- -	- -	.284"
8	.259"	.300"	.259"	.3125"	- -	- -	.284"
9	- -	- -	.259"	.3125"	- -	- -	- -
10	- -	- -	- -	.3125"	- -	- -	- -
Total thickness	2.122"*	2.400"*	2.487"*	3.290"*	2.040"*	5.330"*	2.384"*
Length	36"*	54-1/8"*	36"*	45"*	31-1/4"	- -	45"*
Width	1-3/4"*		2-1/2"*				
Working height	3/16"*	7/16"*	23/32"	7/16"*	- -	- -	1"
Load at working height	710# to 790#*	1100# to 1200#*	900# to 1000#*	2800# to 3100#*	- -	- -	1425# to 1575#*
Deflection rate	475#/"*	200#/"*	645#/"*	840#/"*	1610#/"*	- -	490#/"*

@ - Auxiliary springs engage at load of 1760# each.

REVISIONS:

CHEVROLET 1937 SPECIFICATIONS

Supersedes Sheet No.21 Dated 11-18-36

SHOCK ABSORBERS

MASTER DELUXE		MASTER AND HALF TON	
FRONT	REAR	FRONT	REAR
Make	Delco Products Company (Hydraulic)*		
Type	Double acting*	Single acting*	Single acting*
Valve Code Numbers	1BX (Compression) 1B (Rebound)	2BE	5G MASTER 4CG HALF TON 5G MASTER 3CG HALF TON

TRANSMISSION		PASSENGER CARS AND HALF TON TRUCK	1 1/2 TON TRUCK		
Type	Selective synchromesh, silent second*		Conventional selective*		
Shift type	Standard*				
Number of speeds	3 forward 1 reverse*		4 forward 1 reverse*		
Constant mesh gears type	Helical*		Spur*		
Synchronous meshing gears	Second and third*		None*		
Transmission location	In unit with engine*				
Torque capacity (ft.lb.)	192				
Reverse	Number	Two*			
Idler Bearings	Inside diameter	.7515-.7525	.876 - .877*		
	Length	3/4"	1-1/2"*		
	Material	Rolled bronze	Rolled brass*		
Mainshaft Bearing	Make	Front-Hyatt Rear-New Departure			
	Number Front	590752			
	Rear	954168			
Counter Shaft Bearings	Material	Rolled bronze			
	Make	Chevrolet			
	Size or no. Front	.8675 I.D. - 1.008 O.D. x 1-1/4" long*	142260*		
	Rear	.8675 I.D. - 1.008 O.D. x 1-1/4" long	121856*		
Clutch	Make	New Departure*			
Gear Brg.	Number	954141	903209*		
2nd. Speed Gear Bearing	Outside diameter	1.060-1.061			
	Length	1-3/4"			
	Material	Copper plated surface			
MODELS		DMAS	MASTER	HALF TON	1 1/2 TON
Speedometer gear ratios	3.166 to 1	2.8 to 1	3 to 1*	(2.8 - 1 opt)	3.5 to 1* (4 to 1 opt)*
Power take-off	None*				6 bolt S.A.E. Std.*@
Gear Ratios	First	2.94			7.226*
	Second	1.68			3.478*
	Third	Direct			1.711*
	Fourth	None			Direct*
	Reverse	2.94			7.148*
Maximum Torque of gear set (ft.lbs.)	First speed	474@@			1172@@
	Second speed	271@@			561@@
	Third speed	170			276@@
	Fourth speed	-			170
	Reverse	474@@			1152@@

@ - Power take-off on left side; at 1000 engine RPN, the 33 tooth gear meshing with take off is running 425 RPM.

@@ - 95% efficiency assumed.

REVISIONS: Valve Code Numbers reversed

CHEVROLET 1937 SPECIFICATIONS

Supersedes Sheet No. 22 Dated 11-18-36

REAR AXLE		PASSENGER CARS		TRUCKS		
		MASTER DELUXE	MASTER	1/2 TON		1 1/2 TON
Type		Semi-floating*			Full-floating*	
Gross Rating		3000#	3000#	3300#		9800#
Housing		Pressed steel banjo*			Seamless tubular steel banjo	
Final Drive Type		Hypoid gear		Spiral bevel gear		
Gear Ratio		4.222	3.727	4.111* (3.818 opt.)*		5.428* (6.166 opt.)*
Ring Gear Teeth		38	41	37* (42)*		38* (37)*
Pinion Teeth		9	11	9* (11)*		7* (6)*
Gear Backlash		.005" to .007"		.006" to .010"*		
Pinion	Mounting	Overhung*			Straddle*	
	Adjustment	Shims and tapered collar*			None*	
Pinion Shaft	Front	New Departure*				
	Bearing	Make	905306		905206*	905309*
	Rear	Make	Hyatt*			New Departure*
	Bearing	Number	125630*		901305*	
Thrust		Against front pinion bearing*				
Differential Type		Two pinion*			Four pinion*	
Side Bearing	Make	Hyatt		New Departure*		
	Number	127861		902100*	954186	
Wheel Bearing	Make	Hyatt*				
	Number	111103		111104*		Inner 144527 Outer 144525
Axle Shaft	Type	Wheel end upset*			Drive flange forged*	
	Material	H.R. Steel G.M.C. X 3140-A*				
	Normal Dia.	31/32"		1-1/16"*		1-7/16"*
Minimum Road Clearance (Loaded)		8-1/2"		8"		8-5/8"
Tread		57-9/16"		59-1/4"		58-17/32" Single 66-1/32" Dual (Mean) 73-17/32" Dual (Outer)
Drive Torque		Thru torque tube*				
Total Gear Reduc-tions	First speed	12.407	10.966	12.083	39.22*	44.56*
	Second speed	7.089	6.266	6.905	18.88*	21.45*
	Third speed	4.222	3.727	4.111	9.29*	10.55*
	Fourth speed	- -	- -	- -	5.428*	6.166*
	Reverse	12.407	10.966	12.083	38.80*	44.07*

Axle Shaft Torque (ft.lb)	First speed	1792	1585	1745	5665	6435
	Second speed	1023	905	998	2725	3098
85% eff.	Third speed	610	538	595	1341	1522
	Fourth speed	- -	- -	- -	784	890
	Reverse	1792	1585	1745	5606	6370

Axle shaft torque (ft.lbs.) using optional gear ratios (1/2 TON)						
	3-speed transmission			4 speed transmission		
	Gear Ratio	Torque	Gear Ratio	Torque	Gear Ratio	Torque
First speed	11.22	1621	27.6	2061@	29.7	2061@
Second speed	6.42	928	13.27	1915	14.28	2061@
Third speed	3.82	552	6.54	944	7.04	1015
Fourth speed	- -	- -	3.92	552	4.111	594
Reverse	11.22	1621	27.25	2061@	29.35	2061@

@ - Maximum allowable torque for both axles.

REVISIONS: 73-17/32" dim. was 73-3/8"

CHEVROLET 1937 SPECIFICATIONS

UNIVERSAL JOINTS		PASSENGER CARS AND HALF TON TRUCKS	1 1/2 TON TRUCKS	
			Front Joint	Rear Joint
Location		End of transmission*		Connects front and rear propeller shafts*
Type		Steel yoke and ring*	Steel yoke and spider*	
Yokes	Material	DF nickel chromium steel*	DF carbon steel*	
	Pin diameter	.6865"-.6875*	.716"-.717"*	
Bearings	Length	5/8"	.708"-.728"*	
	Number	Four*		
	Distance between pin bearing centers	2-3/4"*	2-15/16"*	
	Clearance, on diameter, between pin and bearing.	.002"-.005"*	.001"-.003"*	
Type of ends		Splined*		
Front Yoke	Number	10	10*	
	Inside diameter	.849 - .857"	1.184 - 1.186*	
	Splines Outside diameter	.985"-.993"	1.380 - 1.388*	
Rear Yoke	Number	10*		
	Inside diameter	.907"-.915"*	1.1145 - 1.1195*	
	Splines Outside diameter	1.057"-.1.065"*	1.306 - 1.321*	
Lubrication		Self, from transmission*		Self, from front shaft; plus pressure type fitting*

PROPELLER SHAFT	PASSENGER CARS		TRUCKS	
	MASTER DELUXE	MASTER	HALF TON	1 1/2 TON
Type	Tubular*			Solid*
Material	Nickel-chromium steel ends; carbon steel tube*			Nickel chromium steel*
Number used	One*			Two, for split shaft power take-off*
Type of ends	Splined*			
Splines at ends	10*			
Shaft length	59-1/4"		58-29/64"	Front- 131-1/2" W.B. 22-7/8" 157" W.B. -17/64" Rear- 53-11/64"*
Connection to pinion shaft	Splined sleeve held by rivet*			

CHEVROLET 1937 SPECIFICATIONS

BRAKES		MASTER DELUXE AND MASTER	TRUCKS	
			1/2 TON	1 1/2 TON
Service Type		Hydraulic 4 wheel, internal expanding, articulated shoe*		
Brake Drum	Diameter	11"*		14" front* 16" rear*
	Type	Composite; cast iron rim with cooling ribs; pressed steel web*		Steel stamping*
Lining	Width	1-3/4"*		2" front* 3" rear*
	Thickness	.197-.194*		.243 - .250*
	Total effective area	158-1/4 sq.in.*		330.2 sq.in.*
	Clearance	Adjust to slight drag; back off 4 notches*		Adjust to slight drag. Front, back off 4 notches. Rear, 2/3 screw turn*
	Material	DMAS full moulded. All others semi-moulded.		
Main Cylinder	Diameter	1"*	1"*	1-1/4"*
	Piston travel for full pedal stroke	1-5/16"*	1-5/16"*	1.267"*
Wheel Cylinder	Diameter - front	1-1/4"*	1-1/4"*	1-1/4"*
	Diameter - rear	1-3/16"*	1-3/16"*	1-1/2"*
	Piston travel for full pedal stroke	.110"*		.130"*
Braking pressure	Front	52-1/2%*	52-1/2%*	30.7%*
	Rear	47-1/2%*	47-1/2%*	69.3%*
Pedal ratio		4.83 to 1*	5.03 to 1*	6.167 to 1*
Hydraulic ratio		11.89 to 1*	11.89 to 1*	9.759 to 1*
Average overall ratio pedal movement to brake shoe movement		57.40 to 1*	59.9 to 1*	60 to 1*
Pedal travel		3-11/32"*	6-1/2"*	7-3/8"*
Pedal mounting		With main cylinder to frame*		On clutch housing*
Pedal pads		DMAS: Rubber* - All others steel*		
Hand brakes-type		Cut-in system on 2 rear service brakes actuated mechanically and entirely separate from Hydraulic system. Pull rods and cables operate two shoes in each brake thru toggle linkage*		
Brake area (hand)		79-1/8 sq.in.*		214.8 sq.in.*
Lever mounting		To frame*	To transmission*	
Brake system capacity		3/4 pint approximately*		
Fluid recommended		Above zero	Below zero	Delco No.
			-10°	#5*
			-20°	#4*
		30°	-30°	#3*
			Consistently -10°	#1*

REVISIONS:

CHEVROLET 1937 SPECIFICATIONS

ENGINE PERFORMANCE		PASSENGER CARS		TRUCK	
				HALF TON	1 1/2 TON
Horse-Power	Rated (SAE)	29.4			
	Max. BHP (Adv.)	85 at 3200 RPM		78 @ 3200 RPM	
	Per cu.in. displacement	.393		.360	
Max. engine speed (adv.)		4000 RPM			
Max. torque (advertised)		170 ft.lbs.at 900 to 2000 RPM		170 ft.lbs. 850 to 1550	
Max. BMEP @ 60 F (Less accessories)		116 @ 800 RPM			
Compression Pressure	Nominal	152# @ 1000 RPM-159# @ 2000 RPM			
	At cranking RPM	112# @ 65 RPM			
Piston Displacement	Displacement	216.5 cu.in.			
	Per ton mile (cu.ft.)@	113	103.2	87.25	56
	Per vehicle mile (cu.ft.)@	197.0	174.2	191.9	212.5
	Gross weight for computations@	DMAS 3480#	MASTER 3370#	4400	7600
	Coach weight per cu.in.	16.08#	15.57#	- - -	- - -
Engine RPM per MPH		52.42	46.28	51.05	56.55
Engine revs. per mile in high gear		3145	2777	3063	3393
Piston travel per mile in high gear		1960 ft.	1735 ft.	1915 ft.	2115 ft.
Axle ratios for above computations		4.222	3.727	4.111*	5.428*
Tire size for above computations		6.00-16 - 4 ply			32 x 6 - 8 ply*
Engine and Power Plant Weights-Dry	Engine complete	557#		562#	566#
	Power plant complete (Eng., trans. and lever)	603.20#		611.26#	658.85#

@ Note - Passenger car weights are based on weight of Coach, Curb weight, plus 450# for Pass.

GENERAL

Type Valve-in-head*
 Number of cylinders Six*
 Cylinder arrangement .. In line cast-en-bloc*
 Bore 3-1/2"
 Stroke 3-3/4"
 Compression ratio 6.25 : 1
 Manifold heat control Thermostatic*

CYLINDER HEAD

Type Detachable*
 Material Cast iron*
 Combustion chamber design "Blue Flame"*

PISTONS

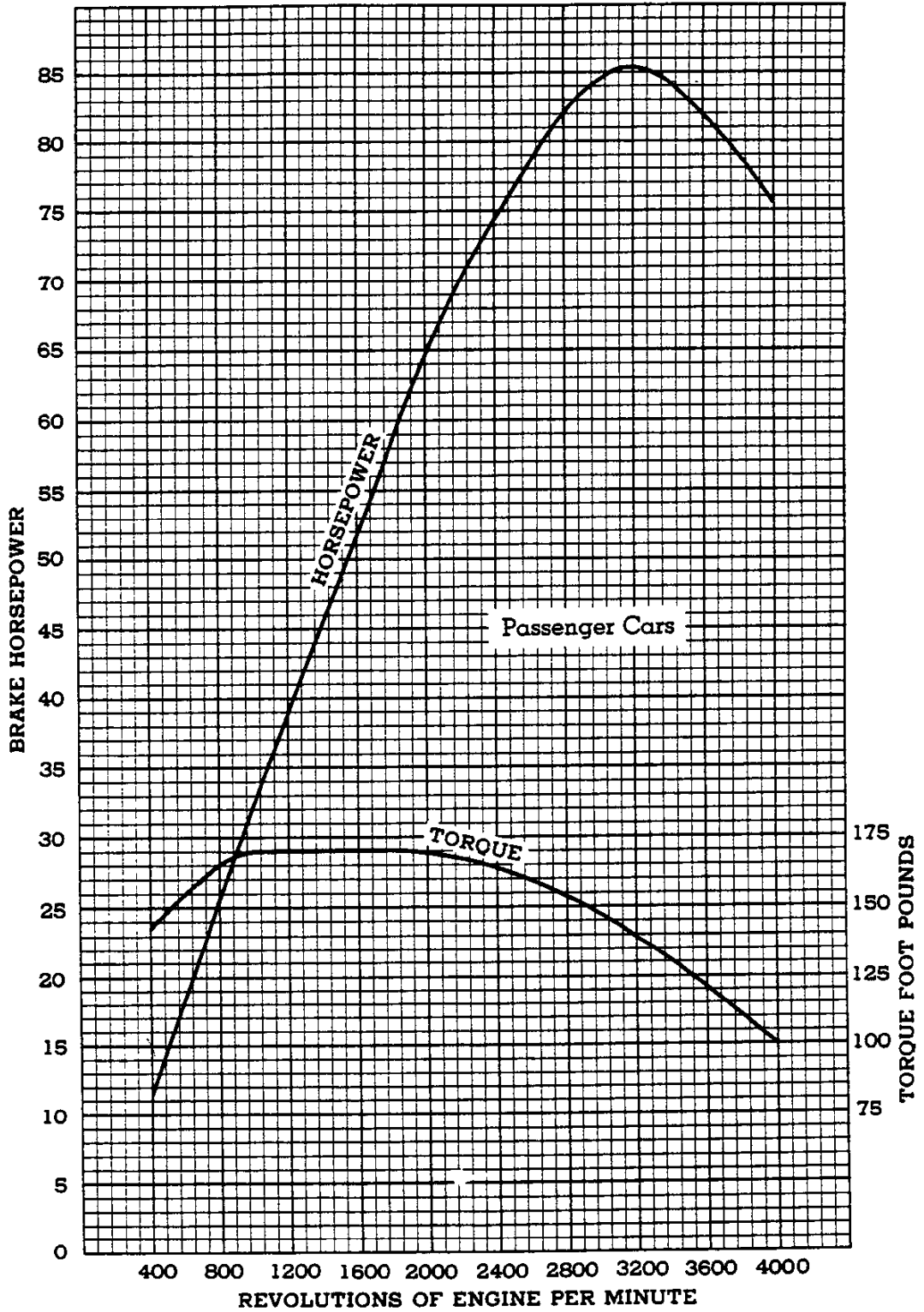
Type Slipper skirt, dome head
 Material Cast iron-tin plated*
 Length 4-1/64"
 Pin center to top of head 2-15/64"
 Distance between pin bosses 1-9/32"
 Compression ring groove depth .. .150"-.162"
 Clearance on dia.-Top land, 2nd.land and 3rd.
 land-.0145"-.019" cold

Clearance on dia.-skirt .. .0015"-.003" cold
 Oil ring groove depth173"-.183"
 Oil ring groove holes 5/32" drill, 14
 holes equally spaced
 Side wall thickness0395"-.049"
 Head thickness165"-.167"
 Piston pin bushings- Pressed in piston*
 -material Bronze*
 -O.D.983"-.984"
 -length (each)... 15/16"*
 -finish Diamond bore
 -weight (each)045#
 Piston wt. without bushings 1.42#
 Total reciprocating weight:
 Weight of piston, bushings, rings, pin and
 connecting rod upper end x 6 14.16#

PISTON PINS

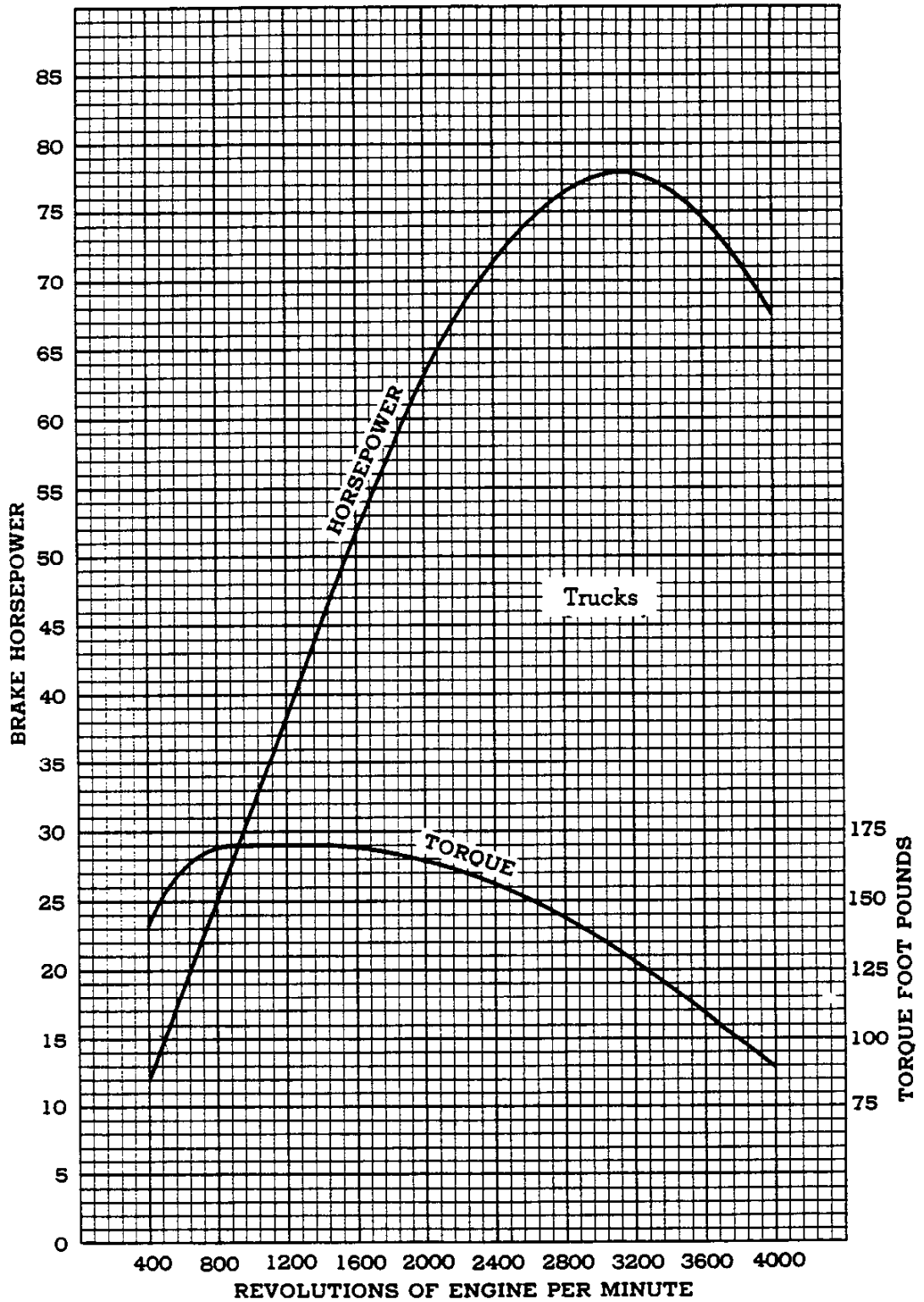
Diameter (Plated)8645"-.8650"
 Length 3-3/32"
 Taper and diameter limits0003"*
 Weight (each)29#
 Clearance in bushing Slip fit*

CHEVROLET 1937 SPECIFICATIONS



POWER AND TORQUE

REVISIONS:



POWER AND TORQUE

REVISIONS:

CHEVROLET 1937 SPECIFICATIONS

PISTON RINGS	COMPRESSION	OIL CONTROL
Number and location	3 above piston pin*	
Material	Cast iron*	
Type	Plain*	Drilled or slotted*
Number	2*	1*
Arrangement	Upper two rings*	Under compression rings*
Width	.1235"-.1240"*	.1860"-.1865"*
Wall thickness	.155" max.	.155" max.
Gap clearance	.005"-.015"*	.005"-.015"*
Ring clearance in groove	.0015"-.003"*	.002"-.0035"
Weight (each)	.05 lbs.	.06 lbs.

CONNECTING RODS

Type	Pin clamped in rod*	Lower end brg. area-	
Material	Drop-forged carbon steel*	Projected	18.39 sq.in.
Length (center to center)	6-13/16"	Circumferential	57.7 sq.in.
Crank pin diameter	2.311"-2.312"	Shims-type	Solid*
Crank pin length	1.4985"-1.5015"*	-material	Brass
Width at piston pin	1-1/8"	Wt.conn.rod assy. (each)	1.77#
Lower end brg.-type	Centrifugally cast*	Upper end (each)4#
-diameter	2.3138"-2.3135"	Lower end (each)	1.37#
-length	1-5/16"	Total rotating weight (lower end x 6)	8.22#
-material	Babbitt*	Conn.rod assembly center of gravity:-	
-finish	Diamond bore	5.273" from wrist pin center	
-clearance on dia-.001"-.0025"		Conn.rod end play0065"-.0135"

VALVES		INLET	EXHAUST
Material		Extruded steel*	
Head diameter		1-41/64"*	1-15/32"*
Length		6.057" - 6.087"*	4.739" - 4.919"*
Stem	Diameter	.3407" - .3417"*	.3397" - .3407"*
	End style	Grooved for cup and cone*	
Spring	Valve closed	42 to 48 lbs.*	
Pressure	Valve open	94 to 102 lbs.*	
Lift		.305"	.3195"
Valve	Type	Removable*	
Stem	Diameter	.3427" - .3437"*	
Guide	Clearance with stem	.001" - .003"*	.002" - .004"*
Valve face angle		30° *	
Valve	Material	Cast iron*	
Seat	Cooling	Jets of water in cylinder head directed under pressure to valve seats.*	
Grinding tool clearance.		1-13/16" max.dia.cutter*	1-17/32" max.dia.cutter*

VALVE ROCKER ARM

Ratio 1.477 to 1*
 Bushing - type Cast bronze; steel-backed
 babbitt-lined (opt.)
 - diameter7925"-.7935"*
 - length 15/16"*

VALVE TAPPET

Type Cylindrical*
 Material Cast iron*
 Outside diameter989"-.990"*
 Operating tappet clearance:
 Inlet valve006" hot*
 Exhaust valve013" hot*
 Tappet spring pressure:
 Valve open 38-44 lbs.*
 Valve closed 16-20 lbs.*
 Tappet lift - Inlet2062"
 - Exhaust2163"

CAMSHAFT

Material Drop-forged steel*
 Drive type Gear*
 Drive gear material Bakelite and fabric
 composition*
 Crankshaft gear material Steel*
 Bearings - Number 4
 - Thrust taken on ... Front bearing*
 - Clearance on dia. - .0015"-.0035"

Camshaft end play Free-.003" max.
 Effective brg. area
 Projected 7.365 sq.in.
 Circumferential 23.99 sq.in.
 Camshaft ramp - Inlet0111"*
 - Exhaust014"*

CRANKSHAFT

Type 4 bearing, counterweighted
 Material Drop-forged steel*
 Weight 68 lbs.
 Offset None*
 End play004"-.007"*
 Clearance between oil thrower groove in
 crankshaft and flange on cylinder block
 002"-.030"
 Harmonic balancer type Oscillating*
 Crankshaft pulley dia. 6-1/32"*

MAIN BEARINGS

Number 4
 Type Removable*
 Material Steel-backed babbitt*
 Clearance002"-.004"
 Thrust taken on .. Rear intermediate bearing
 Total effective bearing area:
 Projected 13.41 sq.in.
 Circumferential 42.12 sq.in.
 Main bearing shim type Solid*

GAMSHAFT BEARINGS	FRONT	FRONT INTERMEDIATE	REAR INTERMEDIATE	REAR
Material	Steel-backed babbitt			
Diameter	2.0307"-2.0317"	1.9682"-1.9692"	1.9057"-1.9067"	1.8432"-1.8442"
Effective length	1"	13/16"	13/16"	13/16"
Total length	1-1/8"	15/16"	15/16"	15/16"

CRANKSHAFT BRGS.				
Diameter	2.6865"-2.6875"	2.7175"-2.7185"	2.7485"-2.7495"	2.7795"-2.7805"
Effective length	1"	1"	1"	1-11/32"
Total length	1-3/16"	1-3/16"	1-7/16"	1-5/8"

CHEVROLET 1937 SPECIFICATIONS

Supersedes Sheet No. 30 Dated 11-18-36

COOLING SYSTEM (All models)

Capacity 14 quarts

WATER PUMP

Type Centrifugal*
 Location On front of engine*
 Capacity 47 gals. per min. @ 4000 RPM*
 Impeller type Vane*
 Drive By fan belt*
 Shaft forward bushing-material Copper-graphite composition*
 Bushing size .. .6145"-.6155" I.D. x 13/16"
 Shaft rear bushing-material Copper-graphite composition*
 Bushing size .. .6145"-.6155" I.D. x 23/32"
 Packing-material Impregnated duck
 -adjustment By spring tension

RADIATOR CORE

Make Harrison*
 Type Ribbed cellular*
 Material All copper*
 Size-Pass.cars D.M.A.S.-.222" x .556" x 2"
 MASTER-.25" x .556" x 2"
 -Trucks25" x .560" x 2"
 Exposed core area-Pass.cars ... 368.5 sq.in.
 -Trucks 405 sq.in.

RADIATOR HOSE

Inlet hose-location From cylinder head to core*

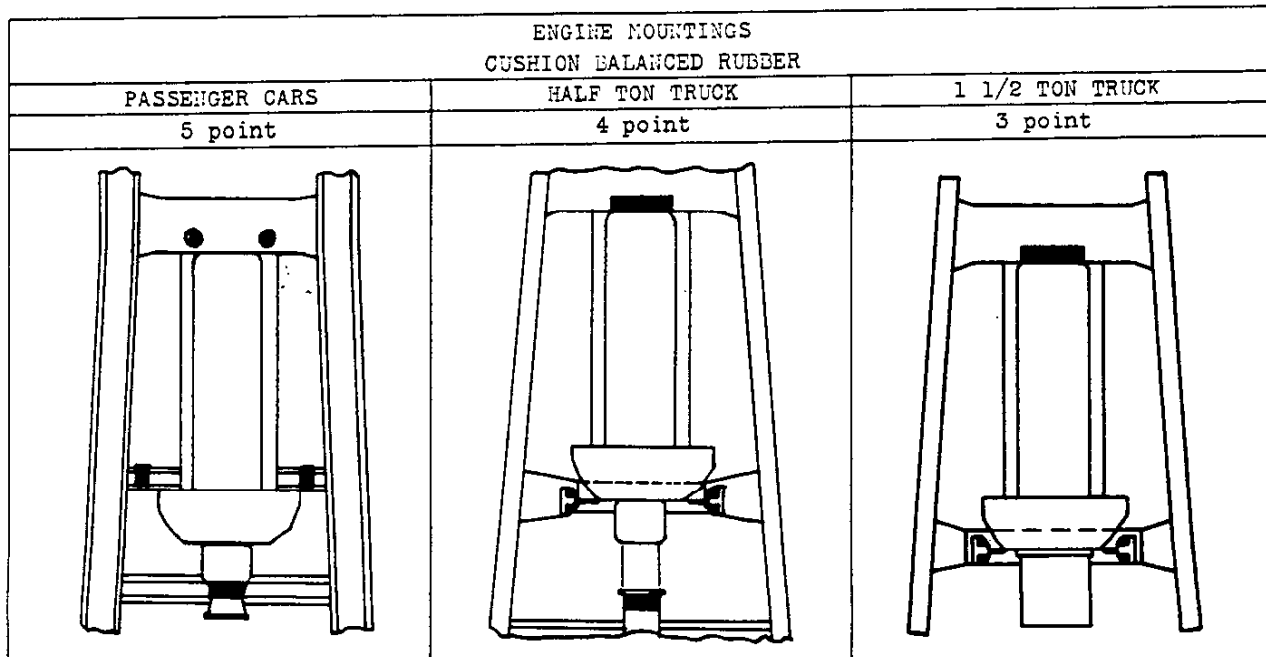
Inlet hose -inside diameter 1-1/4"*
 -length, passenger cars .. 5-5/8"
 -length, trucks 6-1/4"*
 Outlet hose-type Two pieces connected by steel tube*
 -location ... Core to water pump*
 -inside diameter 1-1/2"*
 -length, upper hose 2-3/4"
 -length, lower hose 5"

WATER THERMOSTAT

Make Harrison*
 Type Bellows operating poppet valve*
 Valve starts to open at 140° - 145° F. water*
 Valve fully open at 170° F. still water and 29.92" Hg. barometric pressure*
 Location In cylinder head outlet*

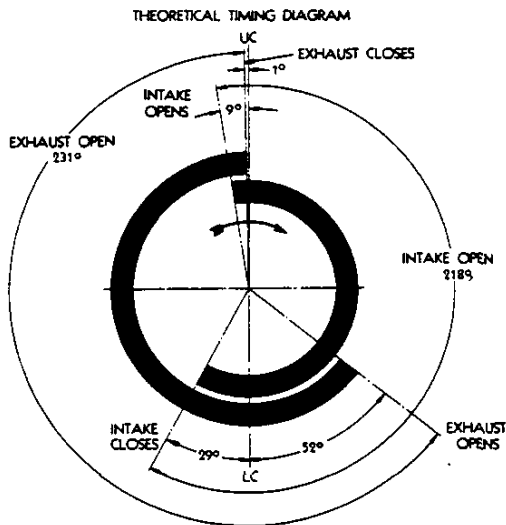
ENGINE FAN

Number of blades 4, staggered*
 Diameter-Deluxe Master 15-3/4"*
 -Trucks & Master pass. 16-1/4"*
 Pulley-type V*
 -angle of V 28° *
 -diameter 4-21/64"*
 Ratio of fan to engine speed 1.393*
 Clearance between fan and core 9-16"
 Fan belt-make Various*
 -material One-piece vulcanized fabric*
 -length around outside 42-7/8"
 -maximum width 11/16"*



REVISIONS: Radiator Core specifications revised

CHEVROLET 1937 SPECIFICATIONS



FUEL PUMP

Make AC*
 Model AF
 Type Mechanical*
 Drive By camshaft*
 Arm throw at camshaft 1/4"*
 Inlet and outlet air dome Yes
 Fuel filter Screen on dome*

FUEL GAUGE

Make AC*
 Type Electric*

CARBURETOR

Make Carter*
 Type Single adj. down-draft*
 Model WI-346-S
 Size 1-1/4"*
 Accelerator pump Yes*
 Float level When closed, top of float measures 3/8" below finished surface of cover.*

AIR CLEANER

Make AC*
 Type Combined with silencer and flame arrester.*

Fuel mixture heated Yes- Passes thru manifold heat chamber, automatically controlled by thermostat on manifold.*
 Octane selector Yes*

EXHAUST SYSTEM	PASSENGER CARS	TRUCKS
Muffler Type	Diffusion & resonance (5-tube reverse flow)	Baffle*
Diameter	6-1/16"*	5"*
Length	18"	20-1/2"*
Mounting	Single pt. rubber*	Single pt.*
Exhaust Pipe Dia.	1-7/8"	
Tail Pipe Diameter	1-3/4"*	1-1/2"*

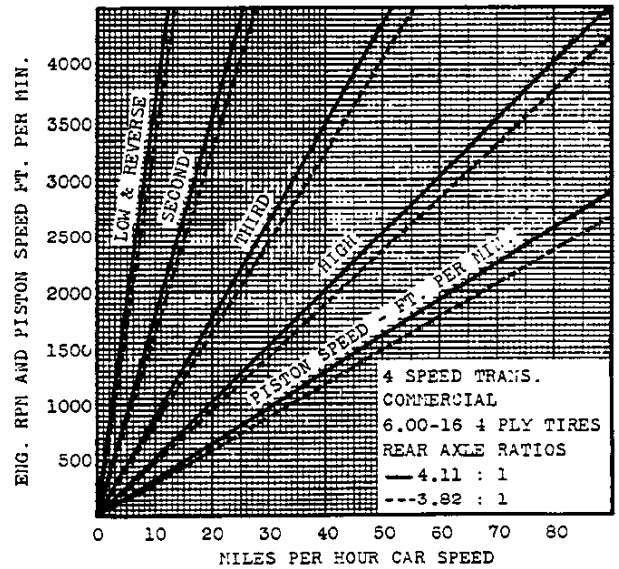
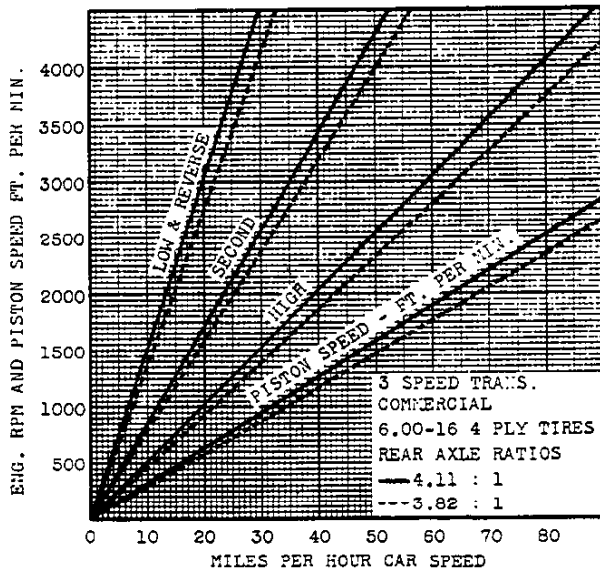
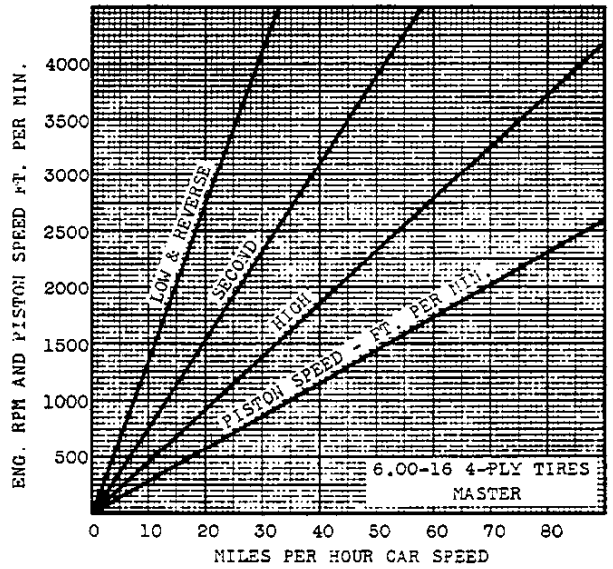
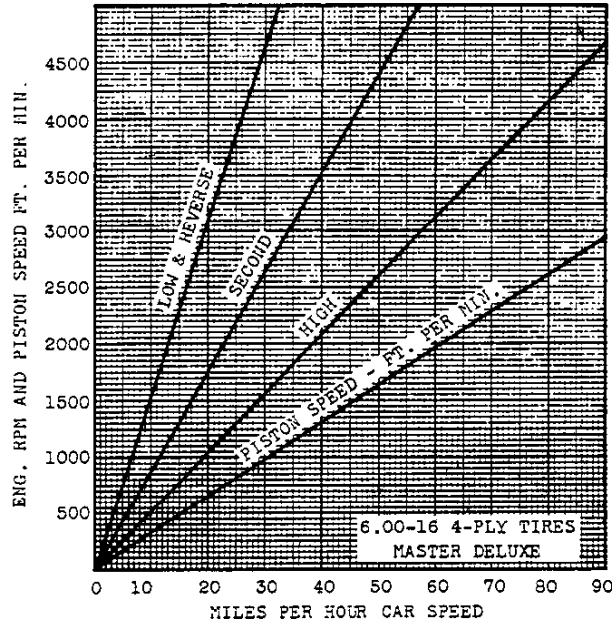
FUEL TANK	PASSENGER CARS	TRUCKS	
		1/2 TON	1 1/2 TON
Capacity (gallons)	14*	18	
Location	Bus. Coupe 18	Panel 16*	18
	At rear of chassis; in Bus. Coupe, underload-ing floor.	At center of chassis next to R.H. side rail.	Under seat*
Type	2 stamped pans welded together*		

ENGINE LUBRICATION

Type Pressure, pressure stream and splash*
 Oil pump-type Gear drive From camshaft*
 Main brg. lubrication Direct pressure*
 Oil is pumped thru drilled passages in cylinder case directly to main bearings
 Camshaft brg. lubrication ... Direct pressure thru passages from main bearings*
 Timing gear lubrication Gravity feed from camshaft front bearing overflow.*
 Connecting rod brg. lubrication .. By dippers at low speeds. By pressure streams at high*
 Cylinder bore lubrication Splash*
 Wrist pin lubrication Splash*
 Valve rocker mechanism lubrication:-
 Pressure. Oil pipe from low pressure side of oil distributor carries oil to valve rocker arms, springs, valve stems and upper ends of push rods*
 Oil pressure gauge AC*
 Oil cleaner type Screen with by-pass on intake side of oil pump*
 Oil drain type Plug in side of oil pan*
 Crankcase ventilator type Suction*
 Oil filler Combined with ventilator*
 Oil screen area 18.3 sq. in.
 Oil level gauge type Rod*
 Oil pan-capacity (dry) 5-1/2 quarts*
 -capacity (for refill) 5 quarts*

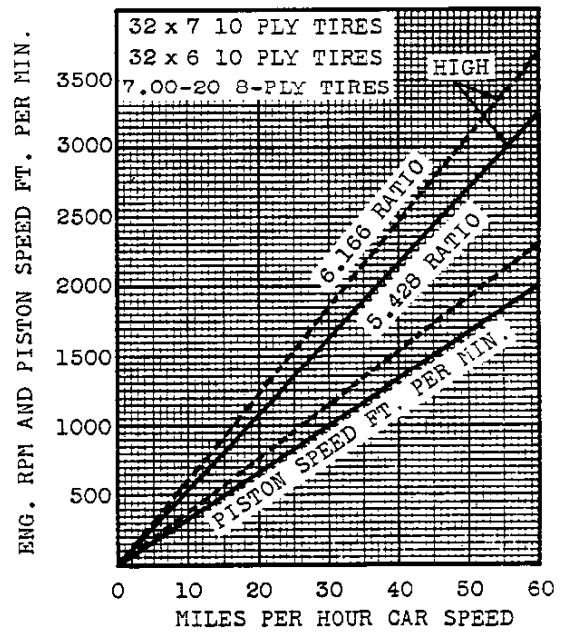
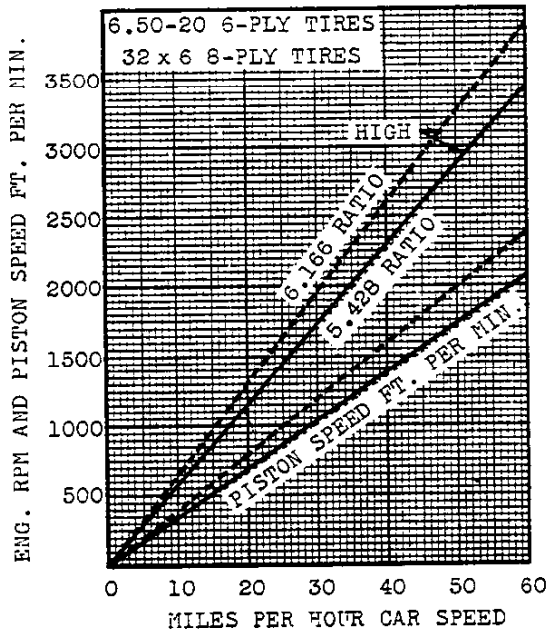
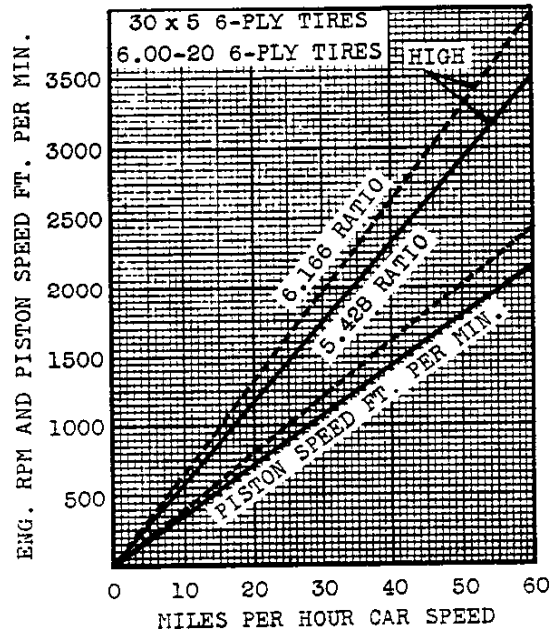
REVISIONS:

ENGINE RPM AND PISTON SPEED CHARTS



CHEVROLET 1937 SPECIFICATIONS

ENGINE RPM AND PISTON SPEED CHARTS - CONTINUED



CHEVROLET 1937 SPECIFICATIONS

Supersedes Sheet No. 34 Dated 11-18-36

TIRES AND WHEELS		PASSENGER CARS AND HALF TON TRUCK	1 1/2 TON TRUCK
Wheels type		Steel, short spoke disc type	Pierced disc*
R I M S T I R E S	Type	Drop center, integral with wheel*	Integral with wheel; separate lock ring*
	Base (Regular tires)	4.00E	5" Flat base*@
	Make	United States or Goodrich*	
	Size of Regular tires @	6.00-16, 4 ply	6.00-20, 6 ply* front and dual rear tires. @ 32 x 6, 8 ply* single rear. @
	Recommended pressure	Minimum 26# front 28# rear @@	See tire ratings 1 1/2 TON Trucks below
Load rating	875# front 915# rear		
Revs. per mile	746		
Loaded radius	13.5"		

@@ - On HALF TON Truck carry 28# pressure in front tires, 32# in rear tires, with 990# rating per rear tire.

@ - See Truck Tire options on next page.

TIRE OPTIONS - HALF TON TRUCK						
SIZE AND PLY	Make	Pressure	Revs. per mile	Load Rating	Wheel Type	Rim Base
6.00-16 6 ply	U.S. or Goodrich	30# front 40# rear	745	955# front 1130# rear	Short spoke steel disc type	4.00E
15"(7.50-15) 6 ply		15-20# front 15-35# rear		733*		960-1500#
5.50-18, 4 ply		28# front 32# rear	707	1050# rear		3.62 F.

TIRE RATINGS - 1 1/2 TON TRUCKS					
SIZE	Pressure	Load Rating	Rolling Loaded Radius	Revs./mile	Weight tire Tube & Wheel
30 x 5 - 6 ply	70 lbs.*	1600 lbs.*	15.683	643*	85#
6.00-20 - 6 ply	45 lbs.*	1400 lbs.*	15.683	643*	85#
32 x 6 - 8 ply	75 lbs.*	1950 lbs.*	16.135	625*	100#
6.50-20 - 6 ply	50 lbs.*	1700 lbs.*	16.135	625*	90#
32 x 6 - 10 ply	80 lbs.*	2200 lbs.*	16.807	600*	125#
7.00-20 - 8 ply	55 lbs.*	1950 lbs.*	16.807	600*	110#
32 x 7 - 10 ply	85 lbs.*	2550 lbs.*	16.807	600*	138#

REVISIONS: Tire options on HALF TON Truck revised

CHEVROLET 1937 SPECIFICATIONS

TIRE OPTIONS - 1 1/2 TON TRUCKS

REAR TIRES Sizes and option numbers	FRONT TIRES - Sizes and option numbers							
	6.00-20, 6 ply, 5" rim. 3-3/4" offset wheel Reg. equipt.	6.50-20, 6 ply, 5" rim. 4-1/8" offset wheel Opt. 215	7.00-20, 8 ply, 6" rim. 4-1/2" offset wheel Opt. 218	30 x 5, 6 ply 5"rim.3-3/4" offset wheel Opt. 203	32 x 6, 8 ply 5"rim.3-3/4" offset wheel Opt. 207	32 x 6, 10 ply 6"rim.4-1/2" offset wheel Opt. 210	32 x 6, 8 ply 5"rim.4-1/8" offset wheel Opt. 208	
32 x 6, 8 ply 5" rim. 3-3/4" offset wheel. Regular eqpt.*	X *			X	X			
32 x 6, 10 ply 6" rim. 4-1/2" offset wheel. Opt. 211	X	X	X	X		X	X	
6.50-20, 6 ply 5" rim. 4-1/8" offset wheel. Opt. 216	X	X						
7.00-20, 8 ply 6" rim. 4-1/2" offset wheel. Opt. 219	X	X	X					
32 x 7, 10 ply 7" rim. 2-3/8" offset wheel. Opt. 213	X	X	X	X		X	X	
6.00-20, 6 ply 5" rim. 3-3/4" offset wheel. Opt. 214 @	X							
6.00-20, 6 ply 5" rim. 3-3/4" offset wheels. Regular eqpt.*	X *							
30 x 5, 6 ply 5" rim. 3-3/4" offset wheels. Opt. 204				X				
32 x 6, 8 ply 5" rim. 4-1/8" offset wheels. Opt. 209	X			X			X	
32 x 6, 10 ply 6" rim. 4-1/2" offset wheels. Opt. 212-193 @@	X	X	X	X		X	X	
6.50-20, 6 ply 5" rim. 4-1/8" offset wheels. Opt. 217	X	X						
7.00-20, 8 ply 6" rim. 4-1/2" offset wheels@ Opt. 220	X	X	X					

@ Panel job only with light rear springs. (1 ton).

@@ Auxiliary springs (Opt. 193) must be used with Opt. 212.

Never use a larger tire in front than in rear nor high pressure tires in front with balloon rears.

REVISIONS:

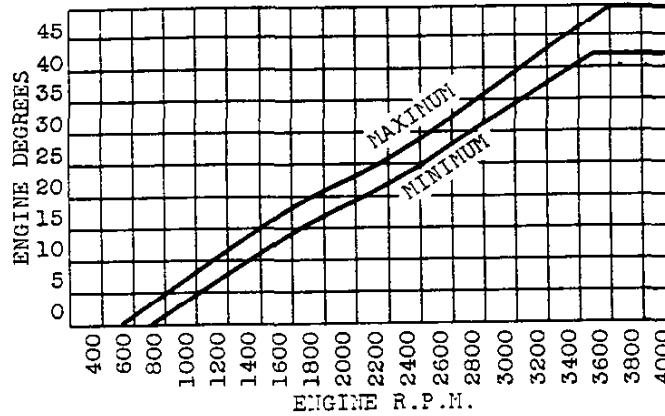
CHEVROLET 1937 SPECIFICATIONS

ELECTRICAL SYSTEM					
GENERATOR	PASSENGER CARS			TRUCKS	
	MASTER DELUXE	MASTER	1/2 TON	1 1/2 TON	
Make	Delco-Remy*				
Model	948-R				
Ventilated by	Fan built into generator pulley*				
Driven by	"V" belt*				
Generator pulley	Type	28° V*			
	Diameter	3-11/32*			
Speed ratio-generator to engine	1.80 : 1*				
Amperes -cold	Lights off	15			
	Lights on	18-21			
Max. charging rate-cold	Voltage	8.2			
	RPM	2600			
Car speed	26 M.P.H.	30.6 M.P.H.	27.8 M.P.H.	24.1 M.P.H.	
Amperes -hot	Lights off	14			
	Lights on	15-18			
Max. charging rate-hot	Voltage	8.1			
	RPM	2800			
Car speed	29.2 M.P.H.	33 M.P.H.	30 M.P.H.	26 M.P.H.	
Thermostat	None*				
Field fuse	None*				
Voltage regulation	None				
Rated voltage	6-8*				
Brush tension	14-18 oz.*				
Rotation (Drive end)	Clockwise*				
Bearings	Commutator end	Bronze Bushing*			
	Drive end	Ball*			
Cut-out	Voltage at closing	7.2			
	Armature speed	800 R.P.M.			
	Car speed at closing	8.3 M.P.H.	9.4 M.P.H.	8.5 M.P.H.	7.5 M.P.H.
	Amperes to open	1.5*			
IGNITION					
Type	Separate units, high tension dist. ground return system*				
Make	Delco-Remy*				
Model No.	649-G				
Ignition lock-Type	Armored cable from coil to dash and lock switch				
Current source	Generator*				
Spark control-Type	Full automatic*				
Octane selector adjustment	20° Vernier manual*				
Advance	17° Vacuum* - 42°-50° Automatic				
Firing order	1-5-3-6-2-4*				
Timing spark advance	5° B.T.C.*				
Dist. interrupter point opening	.018" - .024"				
Dist. bearings	Cast iron*				
Condenser-make	Delco-Remy*				
Coil Location	On right side of engine*				
Amps. Drawn	Engine stopped	4.8*			
	Engine idling	2.5*			
Spark plug	Make	AC*			
	Size	K-11 Metric*			
	Recommended gap	.040"			

REVISIONS:

CHEVROLET 1937 SPECIFICATIONS

SPARK ADVANCE CURVE



BATTERY	PASSENGER CARS		TRUCKS	
	MASTER DELUXE	MASTER	1/2 TON	1 1/2 TON
Make	Delco*			
Model	17M		15X*	
Number of plates	17		15*	
Length	10-9/16"		8-15/16"	
Width			7"	
Height	7-7/16"		8-9/16"	
Volts	6*			
Ampere hours capacity	100		94	
Cell arrangement	3 - Side to side*			
Shipped wet or dry	Optional*			
Charging rate	Start	6*		
	Finish	5*		
Terminal grounded	Negative*			
Battery mounted to	Frame-Right side*			
STARTING MOTOR				
Make and Model	Delco-Remy*, 739A			
Type of drive	Bendix*			
Lock test	Amperage draw	525*		
	Volts	3.4*		
	Torque (ft.lbs.)	14*		
No load test	Amperage draw	125*		
	Bolts	5.4*		
	R.P.M.	2500*		
Rotation (commutator end)	C.C.W.*			
Bearings	Commutator end	Cast iron*		
	Drive end	Graphite lubricated bushing*		
Over running clutch	No*			
Pinion meshes	On front of flywheel*			
No. of teeth in flywheel gear	139			
Normal engine cranking speed	65 R.P.M.*			
No. of teeth in pinion gear	9*			
Gear ratio: Starter to flywheel	15.44 : 1			
Starting device	Starterator*	Direct foot-actuated control*		

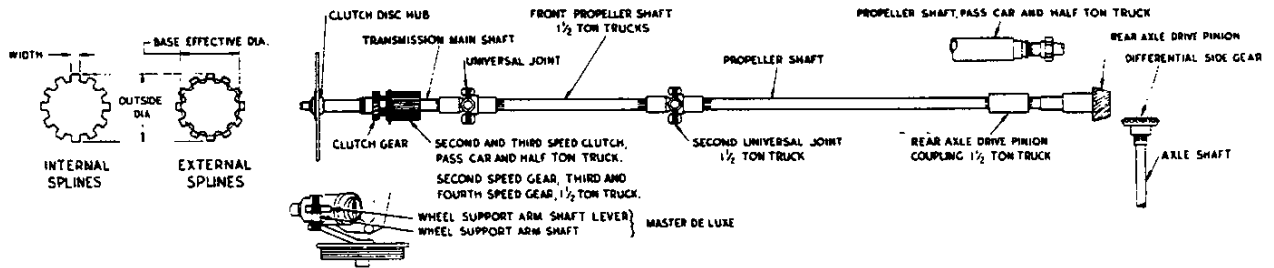
REVISIONS:

CHEVROLET 1937 SPECIFICATIONS

LIGHTS		PASSENGER		TRUCKS		
		MASTER DELUXE	MASTER	1/2 TON	1 1/2 TON	
Head Lamps	Type	Two beam*				
	Diameter	7-15/16"		8-5/16"		
	Lens	Type	Guide			
		Diameter	6-1/2"		7"	
	Bulb	Type	Two filament			
		Number	2320-L	2320-L	2320-L	2320-L
		Candle power, each beam	32 Upper*	32 Upper*	32 Upper	32 Upper
	Reflector-Type		Tilray*			
		Dimmed by	Depressed beam, foot-operated switch*			
	Parking light bulb	Location	In headlamps*			
Size		55*				
Candle power		1-1/2*				
Tail and stop lamp	Type	Combination*				
	Tail light bulb size	63*				
	Stop light bulb size	63*		87*		
	Bulb candle power	3*		15*		
	Tail light in series with dash light	No*				
Stop light operation	Hydraulic switch on brake main cylinder*					
Dash Light	Number used	2*				
Light	Size	55		51*		
	Candle power	1-1/2		1*		
Dome Light	Size	81 (except HALF TON CCS-37)				
	Candle power	6 (except HALF TON CCS-15)				
Fuse	Type	3A*				
	Volts	6*				
	Amperes	15*				
	Location	On back of ammeter*				
Lighting switch	Make	Delco-Remy*				
HORN	Make	Delco-Remy*				
	Type	Vibrator*				
	Tone adjustment	Screw type*				
	Location	Left side of cylinder head*				
RADIO ANTENNA SPL.EQUIP.	Location	Under running boards		None		
	Loud speaker location	On dash or above W.S.		None		
	On what body styles	All (SDL-dash only)		None		
TOOLS						
Jack	Type	Special long screw*	2000# cap*	3500# cap*		
	Raised height	Adjustable to requirements	14-1/8*	15-1/2*		
	Lowered height	Adjustable to requirements	8-1/8*	9-1/2*		
Hand tire pump		All*				
Screw driver		3-1/2" round shank*				
Adjustable auto wrench		9"*				
Combination pliers		6"*				
Ball peen hammer		10 oz.*				
Open end wrench		All*				
Spark plug wrench		All*				
Lubrication gun and oil can		All*				
Wheel wrench		All*				
Starting crank		All*				

REVISIONS:

CHEVROLET 1937 SPECIFICATIONS



SPLINES		Passenger Cars and HALF TON Truck		1 1/2 TON Truck	
		INTERNAL	EXTERNAL	INTERNAL	EXTERNAL
Clutch disc hub and transmission clutch gear shaft.	Number	10*			
	Width	.174 - .176*	.1715 - .1735*	.174 - .176*	.1705 - .1735*
	Outside dia.	1.134 - 1.144*	1.110 - 1.121*	1.134 - 1.144*	1.110 - 1.121*
	Base eff.dia.	.920 - .925*	.918 max.*	.920 - .925*	.918 max.*
Transmission mainshaft sliding gears and gear clutch diameters.	Number	6*			
	Width			.374 - .375*	.3685 - .3705*
	Shaft		1.715 - 1.725		1.4705-1.4805*
	Second gear		1.715 - 1.725	1.4995-1.5035*	
	Third & fourth		1.715 - 1.725	1.4995-1.5035*	
	First & rev.	2.845 - 2.855			
	Gear clutch	1.745 - 1.755			
First U joint on trans. mainshaft (All) & 2nd U-jt. on front prop. shaft (1 1/2 TON)	Number	10			
	Width	.152 - .154	.151 - .152	.214 - .215*	.2120 - .2135*
	Outside dia.	.985 - .993	.960 - .970	1.380 - 1.388*	1.355 - 1.365*
	Base eff.dia.	.849 - .857	.844 max.	1.184 - 1.186*	1.177 max.*
First U joint on front prop.shaft (All);also 2nd U jt.on rear prop. shaft (1 1/2 TON)	Number	10*			
	Width	.160 - .162*	.156 - .159*	.1990 - .2015*	.196 - .198*
	Outside dia.	1.057 - 1.065*	1.030 - 1.032*	1.306 - 1.312*	1.283 - 1.284*
Coupling of rear end of propeller shaft and rear axle drive pinion shaft.	Number	10*			
	Width	1.605 - 1.615*	1.585 - 1.605*	.1995 - .2005*	.2010 - .2035*
	Outside dia.	1.057 - 1.065*	1.027 - 1.035*	1.306 - 1.321*	1.278 - 1.284 prop. shaft* 1.2800-1.2820 pinion*
	Base eff.dia.	.907 - .915*	.847 - .863*	1.1115-1.1195*	1.0535-1.0625*
Diff. side gears and axle shafts. (Pass. cars only)	Number	10			
	Width	.180 - .183	.178 - .180		
	Outside dia.	1.186 - 1.193	1.1525-1.1575		
	Base eff.dia.	1.039 - 1.044	1.004 - 1.014		
Diff. side gears and axle shafts. HALF and 1 1/2 TON trucks.	Number	10*			
	Width	.189 - .192*	.187 - .189*	.259 - .262*	.257 - .259*
	Outside dia.	1.2555-1.2625*	1.222 - 1.227*	1.6735-1.6785*	1.6345-1.6445*
	Base eff.dia.	1.095 - 1.100*	1.060 - 1.070*	1.472 - 1.477*	1.440 - 1.450*
Wheel support arm shaft lever, Deluxe Master only.	Number	16*			
	Width	.133-.134*			
	Outside dia.	1.3815-1.3865*	1.3575-1.3625*		
	Base eff.dia.	1.249 - 1.251*	1.245 max.*		

REVISIONS:

CHEVROLET 1937 SPECIFICATIONS

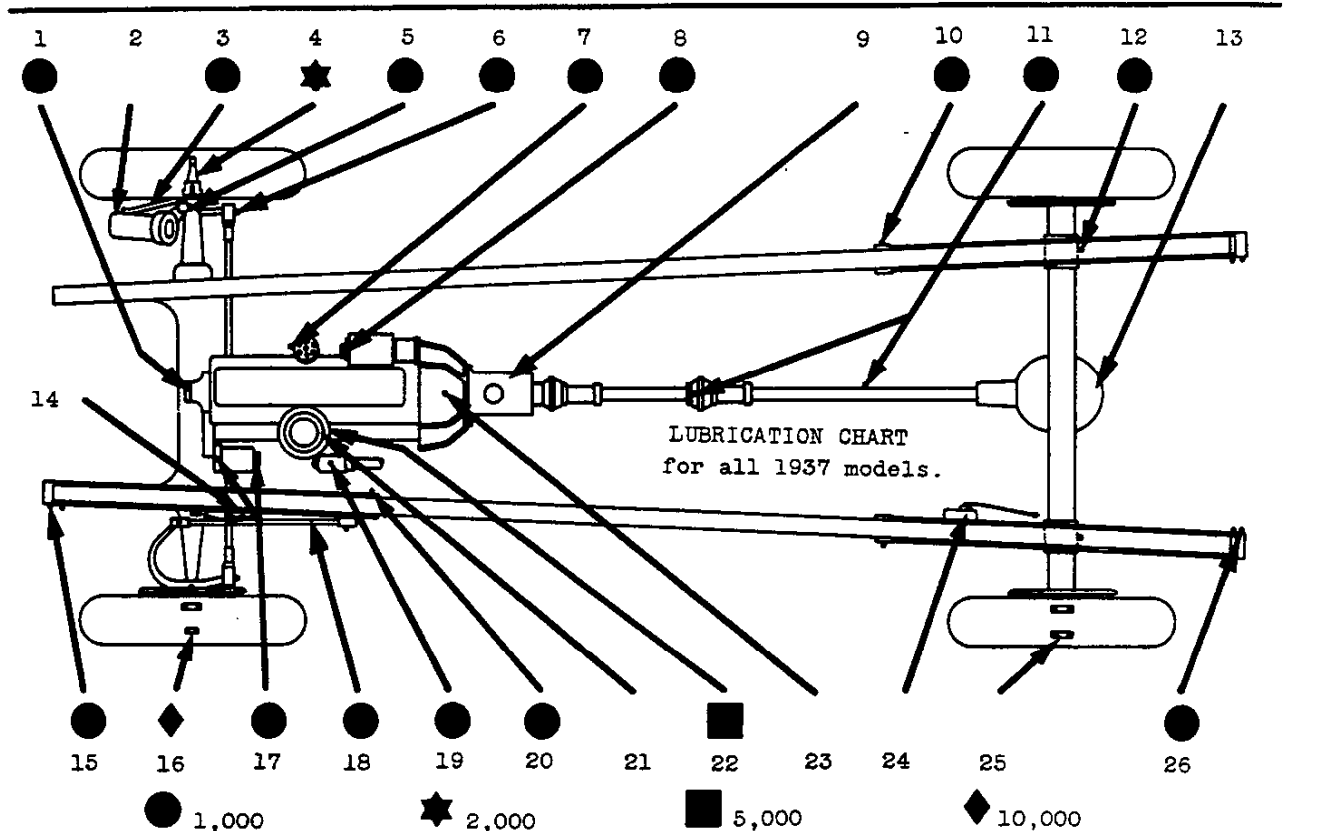
ANTI-FRICTION BEARINGS

FUNCTION	MAKE	PART NO.	TYPE	INSIDE DIAMETER	OUTSIDE DIAMETER	WIDTH
Front Wheel						
Inner	N.D.	*909002 F	Cup and Cone	1.1999-1.1904	2.9625-2.9635	1.135 - 1.155
	N.D.	*909026 E	Cup and Cone	1.4060-1.4065	3.1491-3.1501	1.216 - 1.236
Outer	N.D.	*909001 F	Cup and Cone	.7498 - .7503	2.0795-2.0805	.698 - .718
	N.D.	*909025 E	Cup and Cone	.8435 - .8440	2.2495-2.2505	.780 - .800
Arm shaft	Chev.	*373467 B	Short Roller	49 rollers	.0938	.955 - .975
	Chev.	*377368 B	Long Roller	42 rollers	.0938	1.167 - 1.187
Lever pin	Chev.	*373464 B	Short Roller	32 rollers	.0938	.955 - .975
King Pin Thrust	N.D.	*352569 CD	Ball Thrust	.735 - .760	1-9/16	9/16
	N.D.	*373476 B	Ball Thrust	.868 - .893	1-5/8	9/16
	N.D.	*365309 E	Ball Thrust	.9225 - .9475	1-23/32	5/8
Steering Worm	Chev.	261866 A	Taper Roller		1.750 - 1.7505	
Roller Tooth	Chev.	*262605 B	Ball	.4370 - .4375		1.030 - 1.034
Generator	N.D.	*901203 A	Ball	.6689 - .6693	1.5743-1.5748	.4724
Clutch-Pilot	N.D.	*907109 A	Ball	.5901 - .5906	1.3774-1.3780	.349 - .354
Transmission						
Clutch gear	N.D.	954141 F	Ball	1.3775-1.3780	2.8340-2.8346	.6643 - .6693
Main shaft						
Front	H.	*141854 E	Roller	12 rollers	.1870 - .1875	
	H.	590752 F	Roller	14 rollers	.1873 - .1875	.512 - .527
Rear	N.D.	954168 F	Ball	.9839 - .9843	2.4403-2.4409	.6643 - .6693
	N.D.	*903307 E	Ball	1.3775-1.3780	3.1490-3.1496	.8218 - .8268
Cntr. shaft						
Front	H.	*142260 E	Roller	1.4989-1.4994	2.4409-2.4415	.6249 - .6299
Rear	H.	*121856 E	Roller	1.7318-1.7323	2.8346-2.8352	.6643 - .6693
Prop. shaft	N.D.	*903207 E	Ball	1.3775-1.3780	2.8340-2.8346	.6643 - .6693
Rear Axle						
Pinion-Fr.	N.D.	905306 BC	Db1. row ball	1.1807-1.1811	2.8340-2.8346	1.1825-1.1875
	N.D.	*905206 D	Db1. row ball	1.1807-1.1811	2.4403-2.4409	.9345 - .9375
	N.D.	*905309 E	Db1. row ball	1.7712-1.7717	3.9362-3.9370	1.5595-1.5625
Pinion-Rr.	H.	*125630 F	Roller	1.8287-1.8291	3.1246-3.1250	.743 - .748
	N.D.	*901305 E	Ball	.9839 - .9843	2.4403-2.4409	.6643 - .6693
Side Bearings	H.	127861 BC	Barrel roller	1.6924-1.6929	2.9523-2.9528	.659 - .679
	N.D.	*902100 D	Ball	1.6924-1.6929	3.1490-3.1496	.7057 - .7117
	N.D.	954186 E	Ball	2.4403-2.4409	3.9362-3.9370	.8218 - .8268
Axle shaft	H.	111103 BC	Roller	1.2951-1.2957	2.4056-2.4062	1.209 - 1.219
	H.	*111104 D	Roller	1.5302-1.5308	2.7812-2.7818	1.334 - 1.344
Rear Wheel						
Inner	H.	144527 E	Barrel roller	2.6250-2.6255	4.4680-4.4688	.970 - .975
Outer	H.	144525 E	Barrel roller	2.2500-2.2505	3.8750-3.8758	.995 - .900

NOTE: Letter following bearing number indicates units using this bearing.
 SYMBOLS: A - All; B - Master Deluxe; C - Master; D - Commercial;
 E - Truck; F - Pass. & Comm.; H - Hyatt; N.D.-New Departure.

REVISIONS:

CHEVROLET 1937 SPECIFICATIONS



1 - Water pump - fill oil cup with good grade engine oil.
 2 - Front spring unit (DMAS)-keep filled with genuine shock insulation fluid.
 3 - Front spring unit radius rod (DMAS)-chassis lubricant.
 4 - Front spring unit spindle bushing (DMAS) remove plug and fill with petroleum jelly.
 5 - King pin (two fittings) use chassis lubricant.
 6 - Tie rod (fitting at each end)-use chassis lubricant.
 7 - Distributor-fill and turn down grease cup- use soft, smooth cup grease.
 8 - Starting motor - two or three drops of light oil.
 9 - Transmission - Capacity: Passenger cars 1-3/4 pints, HALF TON 3-speed 1-1/2 pints; truck 4-speed transmission- 6-1/2 pints. Keep filled to level of filler boss opening. SAE 160 in summer; SAE 90 in winter; SAE 90 plus 10% kerosene in temperatures below zero.

10 - Spring bolts-each side of HALF TON and 1 1/2 TON-use chassis lubricant.
 11 - Universal Joint & Propeller shaft bushing. 1-1/2 TON trucks only-use chassis lubricant.
 12 - Spring seat-one at each rear spring-chassis lubricant.
 13 - Rear axle differential. Passenger cars only 3-1/2 pints of special hypoid gear lubricant. HALF TON - 4-1/2 pints; 1-1/2 TON-7 pints. Use SAE 160 in summer; SAE 90 in winter; SAE 90 plus 10% kerosene in temperatures below zero.
 14 - Front shock absorbers-Master and HALF TON keep filled with genuine Chevrolet shock absorber fluid.
 15 - Front spring shackles-use chassis lubricant.
 16 - Front wheel bearings-repack with high melting point wheel bearing grease.
 17 - Generator-two or three drops of light oil.

18 - Steering connecting rod-use chassis lubricant - one fitting at each end.
 19 - Steering gear-use steering gear lubricant.
 20 - Spring bolt-use chassis lubricant.
 21 - Air cleaner-remove and clean out with gasoline. Dip screen in engine oil; keep felt pad dry.
 22 - Accelerating pump shaft-remove dust cover, fill screw hole with graphite grease.
 23 - Clutch release bearing-fill reservoir with SAE 160 in summer, SAE 90 in winter when squeak occurs.
 24 - Rear shock absorbers-Master and HALF TON-keep filled with genuine Chevrolet shock absorber fluid.
 25 - Wheel bearings on 1-1/2 TON truck only-two on each side- receive lubricant from rear axle differential.
 26 - Rear spring shackles-use chassis lubricant.