

Inside Width..... 59 1/4"
 Inside Height..... 53 3/4"
 Capacity..... 191 cu ft

**Maximum
 Rated
 Payload**
 1700 lb

Model
 R1205

Pages
 2-3



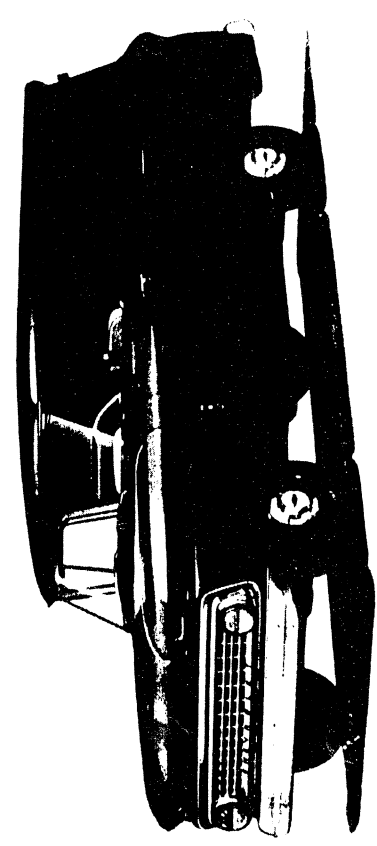
7 1/2-Ft Panel*

Inside Length at Floor..... 99 1/2"
 Inside Width..... 68"
 Inside Height..... 47"
 Capacity..... 175 cu ft

**Maximum
 Rated
 Payload**
 1300 lb

Model
 C1405

Pages
 4-5



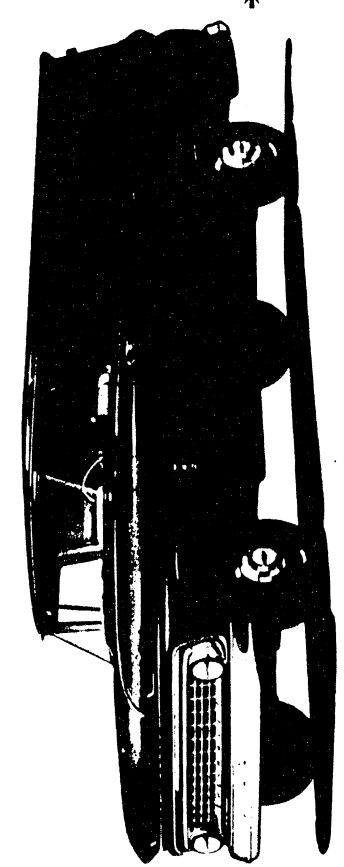
10 1/2-Ft Panel

Inside Length at Floor..... 134"
 Inside Width..... 68"
 Inside Height..... 47"
 Capacity..... 230 cu ft

**Maximum
 Rated
 Payload**
 3300 lb

Model
 C3605

Pages
 6-7



Carryalls*

Model C1406 with panel type rear doors
 Model C1416 with tailgate & liftgate

**Maximum
 Rated
 Payload**

Model
 C1406 C1416

Pages
 8-9





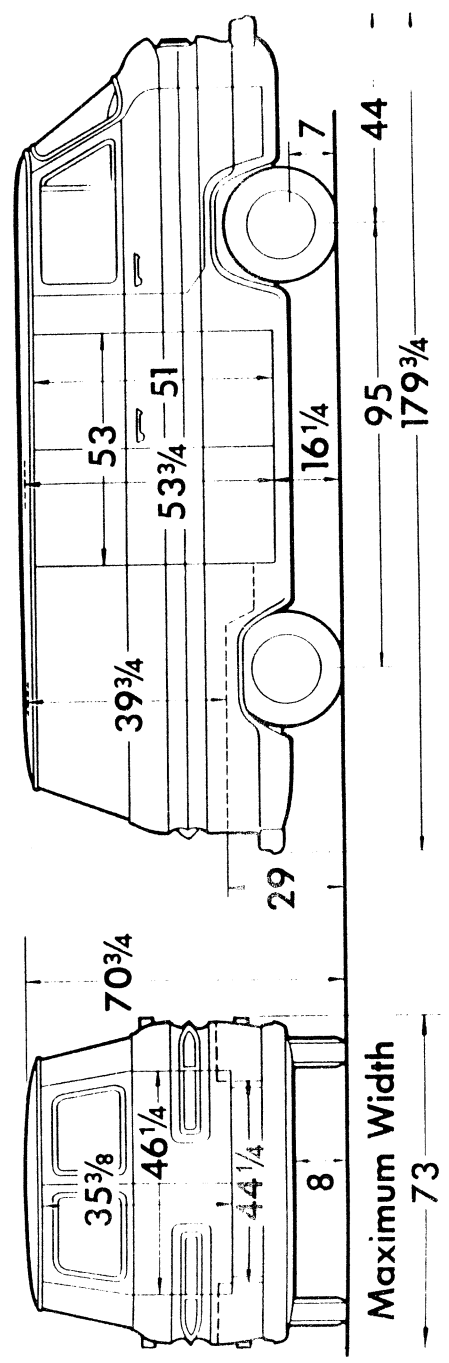
STANDARD EQUIPMENT

Air Cleaner: Two; oil-wetted polyurethane element
Axle, Rear: Hypoid; ratio 3.89. See *Suspension, Rear*
Battery: 12-Volt; 54-plate; capacity 40 amp-hr
Body: Corvan; see *Cabs & Bodies*
Brakes, Service: Hydraulic; self-adjusting
 Sizes: front and rear 11" x 2"
Brake, Parking: Rear wheels; area 167 sq in
Carburetor: Two; single-barrel; automatic choke
Clutch: Diameter 9 1/8"; area 72 sq in
Cooling: Air cooled by 11" centrifugal blower; 215° thermostat
Controls & Instruments: Light switch; headlight beam control; speedometer; odometer; fuel gauge. Lights for generator, fan, oil pressure, engine temperature, direction signal and high beam indicator
Direction Signals: Front and rear
Engine: 145 Six; positive crankcase ventilation
 Gross horsepower.....80
 Gross torque, lb.-ft.....128
Filter, Fuel: At carburetor; porous sintered bronze
Filter, Oil: Full-flow; 1 pint; replaceable element

Frame: Unified body-frame construction
Generator: 30 amp DC; normal cut-in
GVW Plate: 4600 lb
Lights: Head, parking, tail, stop, license plate; dome, instrument panel
Mirror: Outside; driver side
Seat: Driver only
Shock Absorbers: Front & rear; piston diameter 1"
Springs, Front: Coil; capacity 1150 lb each at ground
Springs, Rear: Coil; capacity 1150 lb each at ground
Steering: Ball-gear, ratio 20:0; wheel diameter 17"
Suspension, Front: Independent; capacity 2500 lb
Suspension, Rear: Independent; capacity 2500 lb
Tank, Fuel: Under seat; capacity 18.6 gallons
Tires: Five tubeless 7.00-14/4PR front, single rear and spare
Tools: Mechanical jack; wheel wrench
Transmission: 3-speed synchromesh; ratios 3.50, 1.99, 1.00, 3.97 (rev)
Wheels: Five 14" x 5.0"; attachment, 5 studs on 4 3/4" circle; 4 painted hub caps
Windshield Wipers: Electric; single-speed

DIMENSIONS

(With std equipment, unloaded) Sign Panel Area: 18 1/2 x 94 1/4



Curb Weight with Standard Equipment (lb)	Load Weight Distribution

Maximum Rated Payload Weight	GVW Rating	Custom Equipment Required for GVW Rating	
		Front	Single Rear
1100 lb	4000 lb	7.00-14/4PR	7.00-14/4PR
1700 lb	4600 lb	Standard	7.00-14/6PR

OPTIONAL EQUIPMENT

For dealer-installed equipment, see Custom Features section

Air Cleaner: Pre-oil bath..... K47 **Doors, Rear:** Glass equipment..... A12 **Paint, Exterior:** See Colors section U60

Axle, Positraction Rear:..... G81 **Generator:** 35 amp, low cut-in..... K71 **Radio:** Manual control..... U60

Custom Chrome: Includes front & rear chromed bumpers & hub caps... V37 **Glass, Laminated:** For front door windows..... A09 **Seat:** Full-width..... A54
Auxiliary, passenger..... A57

Custom Equipment: Includes bright-metal windshield molding; rear red inserts; nylon and vinyl seat upholstery; extra-thick foam seat padding; 2-tone doors and steering wheel; right sun-shade; left arm rest; cigar lighter; rear engine grille..... Z60 **Heater & Defroster:** Gasoline operated..... C45
Direct air..... C40 **Mirror, Exterior:** 3¾-inch fixed arm Left side..... D32
Right side..... D32 **Shock, Absorbers:** Heavy-duty; front F51

Doors, Body: Left side..... E85 **Transmission:** 4-speed synchromesh..... M20
Powerglide..... M35 **Wheel Covers:**..... P01

Windshield Wipers & Washer: Electric; 2-speed wipers..... C14

TIRE & DISC WHEEL COMBINATIONS

Tire Size	Tire Capacity (lb ea)	Rim Width	Option Numbers	
			Highway Tread	
			Regular	Nylon
TUBELESS				
7.00-14/4PR blackwall♦	975	5.0"	Std	-
7.00-14/4PR whitewall♦	975	5.0"	R20	-
7.00-14/6PR blackwall♦	1065	5.0"	R21	-
7.00-14/6PR whitewall♦	1065	5.0"	R22	-



STANDARD EQUIPMENT

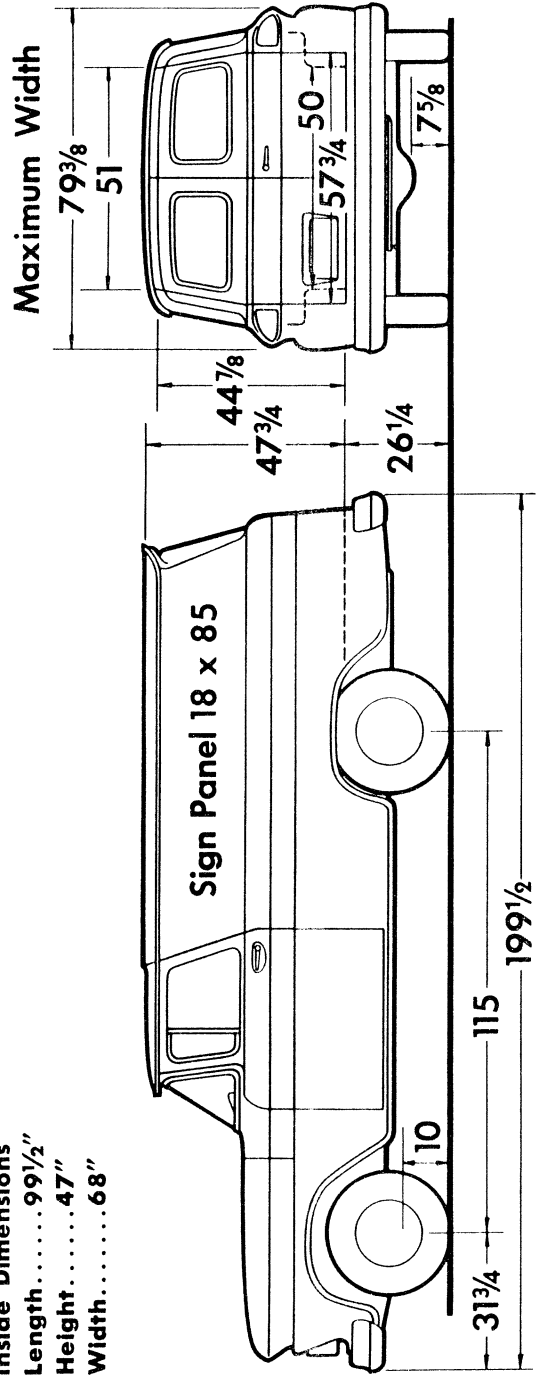
Air Cleaner: Oil-wetted; polyurethane element
Axle, Rear: Hypoid semi-floating type; ratio 3.73; capacity 3500 lb
Battery: 12-Volt; 54-plate; capacity 53 amp-hr
Brakes, Service: Hydraulic
 Sizes: front 11" x 2"; rear 11" x 2"
Effective area: drum 276 sq in; lining 167 sq in
Body: Panel; see *Cabs & Bodies*
Brake, Parking: Rear wheels; area 83 sq in
Bumper: Front & rear, painted
Carburetor: Single-barrel downdraft
Clutch: Diameter 10"; area 100 sq in
Cooling: Capacity 11 qt; 1 1/4" radiator core, 314-sq-in area; 13-lb pressure cap; 170° thermostat
Controls & Instruments: Hand choke; light switch; headlight beam control; speedometer; odometer; fuel gauge. Lights for generator, oil pressure, engine temperature, direction signals and high beam indicator
Direction Signals: Front and rear
Engine: 230 Six; positive crankcase ventilation
 Gross horsepower.....140
 Gross torque, lb-ft.....220
Exhaust System: Single pipe & aluminumized muffler

Fenders: Front and integral rear
Filter, Fuel: Screen in fuel tank
Filter, Oil: Full-flow; 1-quart; throw-away type
Frame: 39,000-lb-test steel; section modulus 2.98
Generator: 37-amp Delcotron
GVW Plate: 5000 lb
Lights: Head, parking, tail, stop; dome, instrument panel
Mirror, Exterior: Left side; 6 1/4" fixed arm
Seat: Driver only
Shock Absorbers: Front & rear; piston diameter 1"
Springs, Front: Coil; capacity 1250 lb each at ground
Springs, Rear: Coil; capacity 1250 lb each at ground
Steering: Ball-gear, ratio 24.0; wheel dia 17"
Suspension, Front: Independent; capacity 2500 lb
Tank, Fuel: Inside frame at rear; capacity 20 gallons
Tires: Five tubeless 6.70-15/4PR front, single rear and spare
Tools: 3300-lb mechanical jack; wheel wrench
Transmission: 3-speed synchromesh; steering column gearshift; ratios 2.94, 1.68, 1.00, 3.14 (rev)
Wheels: Five 15" x 5.0"; attachment, 6 studs on 5 1/2" circle; spare carrier under frame; 4 painted hub caps
Windshield Wipers: Electric; single-speed

DIMENSIONS

(With std equipment, unloaded)

Inside Dimensions
 Length.....99 1/2"
 Height.....47"
 Width.....68"



550 lb	4100 lb	Standard	6.70-15/4PR	6.70-15/4PR
850 lb	4400 lb	Standard	7.10-15/4PR	7.10-15/4PR
1200 lb	4800 lb	2000-lb rear springs	7.10-15/6PR	7.10-15/6PR
1300 lb	5000 lb	2000-lb rear springs	7-17.5/6PR	7-17.5/6PR

OPTIONAL EQUIPMENT

For dealer-installed equipment, see Custom Features section.

- **Air Cleaner:** Oil bath; capacity 2 pints; for 230 and 292 engine only; not available with vacuum power brakes K48
- Axle, Positraction Rear:** Capacity 3500 lb; ratio 3.73. Not available with maximum economy equipment or 3.07 ratio rear axle. G80
- Axle, Rear:** Capacity 3500 lb. Ratio 3.07; not available with Power-glide transmission. H01
- Ratio 4.11; not available with maximum economy equipment. H04
- Battery:** Heavy-duty; 70 amp-hr. T60
- Brakes, Vacuum Power:** M01
- Clutch:** Dia 11"; for 230 engine. M01
- Custom Equipment:** See Cabs & Bodies Section for description
- Appearance Option. Z61
- Chrome Option. V37
- Comfort Option. Z62
- Economy Equipment, Maximum:** Includes special carburetor & 3.07 ratio rear axle; for use with std engine and transmission only. Z54
- Engine:** 292 Six; includes 11" clutch, HD radiator and 61 amp-hr battery. L25
- 283 V8; includes 11" clutch. L32
- Gauges:** Ammeter, engine temperature, oil pressure. Z53
- Generator:** 42 amp Delcotron. K79
- 52 amp Delcotron. K82
- 62 amp Delcotron. K81
- Glass, Laminated:** Front door windows only; includes metal frames. A09
- Glass, Soft Ray:** All
- Windshield only. A11
- All windows. A11
- **Governor:** Not available with Powerglide
- 230 engine: 1800-3100 rpm. K37
- 3000-4000 rpm. K37
- 283 engine: 2400-3600 rpm. K37
- 3000-3800 rpm. K37
- 292 engine: 1800-3100 rpm. K37
- ~~3000-3900 rpm. K37~~
- Heater & Defroster:** De Luxe. C42
- Recirculating C43
- Hooks, Towing:** Front. V76
- Lock: Right door. A97
- Mirror, Rearview:** Exterior Right; 6 1/4" fixed arm. D32
- West Coast type Jr. (6" x 11"). D29
- West Coast type Sr. (7" x 16"). D30
- Paint, Exterior:** See Colors section
- Radiator:** Heavy-duty. V01
- Radio:** Manual control. U60
- Seat, Folding Auxiliary:** A57
- Shock Absorbers:** Heavy-duty Front and rear. F51
- Rear only. F51
- Springs, Auxiliary Rear:** Capacity 500 lb each. G60
- Springs, Rear:** Capacity 2000 lb each. G50
- Tachometer:** Electric; for 283 engine only; includes optional gauges. U16
- Transmission:** Heavy-duty 3-speed synchromesh. M16
- 4-speed synchromesh; includes 11" clutch. M20
- Powerglide; includes heavy-duty radiator. M35
- Windshield Wipers & Washer:** Electric; 2-speed wipers. C14

TIRE & DISC WHEEL COMBINATIONS

Tire Size	Tire Capacity (lb ea)	Rim Width	Option Numbers				
			Highway Tread		On-Off-Road Tread		
			Regular	Nylon	Regular	Nylon	
TUBELESS							
6.70-15/4PR	1115	5.00"	Std a	R30	—	R38	
6.70-15/6PR	1215	5.00"	Q01 c	—	—	—	
7.10-15/4PR	1195	5.00"	R50 d	R52	—	—	
7.10-15/6PR	1300	5.00"	R54	—	—	—	
6.00-16/6PR	1065	5.00"	R58	—	—	—	
6.50-16/6PR	1380 b	5.00"	R59	—	—	—	
6.50-16/6PR	1420 b	5.00"	R60	—	—	—	
7-17.5/6PR	1520	5.25"	R80	R82	R81	—	
TUBE TYPE							
6.70-15/4PR	1115	5.0"	R31	R33	—	R32	
6.70-15/6PR	1215	5.0"	R34	—	—	—	
7.00-15/6PR	1520	5.5"	R42	R44	R43	—	
7.10-15/4PR	1195	5.0"	—	R53	—	—	
6.50-16/6PR	1380 b	5.0"	R61	—	—	R69	
6.50-16/6PR	1420 b	5.0"	R63	—	R64	—	

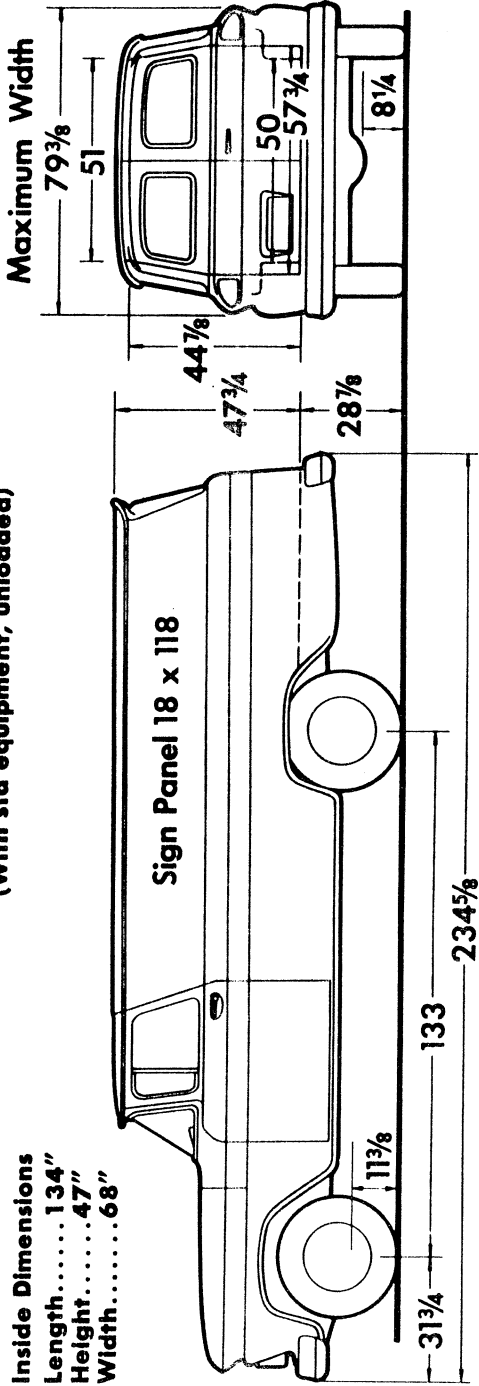


STANDARD EQUIPMENT

- Air Cleaner:** Oil-wetted; polyurethane element
- Axle, Rear:** Hypoid full-floating type; ratio 5.14; capacity 7200 lb
- Battery:** 12-Volt; 54-plate; capacity 53 amp-hr
- Body:** Panel; see Cabs & Bodies
- Brakes, Service:** Hydraulic
- Sizes:** front 11" x 2 3/4"; rear 13" x 2 1/2"
- Effective area:** drum 395 sq in; lining 252 sq in
- Brake, Parking:** 8" x 2 1/2" drum & band
- Bumper:** Front and rear, painted
- Carburetor:** Single-barrel downdraft
- Clutch:** Diameter 11"; area 124 sq in
- Cooling:** Capacity 11 qt; 1 1/4" radiator core, 314-sq-in area; 13-lb pressure cap; 180° thermostat
- Controls & Instruments:** Hand choke; light switch; headlight beam control; speedometer; odometer; fuel gauge. Lights for generator, oil pressure, engine temperature, direction signals and high beam indicator
- Direction Signals:** Front and rear
- Engine:** 230 Six; positive crankcase ventilation
- Gross horsepower:** 140
- Gross torque, lb-ft:** 220
- Exhaust System:** Single pipe & aluminumized muffler
- Fenders:** Front and rear
- Filter, Fuel:** Screen in fuel tank
- Filter, Oil:** Full-flow; 1-quart; throw-away type
- Frame:** 39,000-lb-test steel; section modulus 5.14
- Generator:** 37 amp Delco-tron
- GVW Plate:** 10,000 lb
- Lights:** Head, parking, tail, stop; dome, instrument panel
- Mirror, Exterior:** Left side; 6 1/4" fixed arm
- Seat:** Driver only
- Shock Absorbers:** Front; piston diameter 1"
- Springs, Front:** Coil; capacity 1500 lb each at ground
- Springs, Rear:** Leaf; capacity 2400 lb each at ground
- Steering:** Ball-gear, ratio 24:1; wheel dia 17"
- Suspension, Front:** Independent; capacity 3500 lb
- Tank, Fuel:** Outside frame on left; capacity 18 gallons
- Tires:** Tubeless; two 8-17.5/GPR front; two 8-17.5/RPR single rear
- Tools:** 3300-lb mechanical jack; wheel wrench
- Transmission:** 4-speed synchromesh; ratios 7.06, 3.58, 1.71, 1.00, 6.78 (rev); power take-off opening on left side
- Wheels:** Five 17.5" x 5.25"; attachment, 8 studs on 6 1/2" circle; spare carrier under frame; 4-painted hub caps
- Windshield Wipers:** Electric; single-speed

DIMENSIONS

(With std equipment, unloaded)



GVW Rating	GVW Rating	Required for GVW Rating	Front	Rear
2250 lb	6700 lb	Standard	8-17.5/6PR	8-17.5/8PR, single
3300 lb	★7800 lb	3100-lb rear springs	8-19.5/6PR	8-19.5/10PR, single

★ Rating shown on RPO GVW plate.

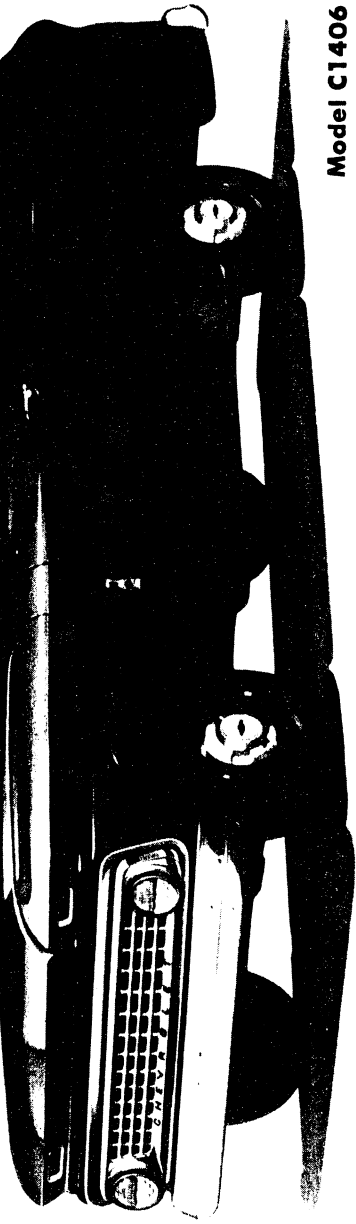
OPTIONAL EQUIPMENT

For dealer-installed equipment, see Custom Features section.

- **Air Cleaner:** Oil bath; capacity 2 pints; for 230 and 292 engine only; not available with vacuum power brakes. K48
- Axle, NoSPIN Rear:** Ratio 5.14 G86
- Battery:** Heavy-duty; 70 amp-hr T60
- Brakes, Vacuum Power:** J70 → Governor: 230 engine: 1800-3100 rpm K37
3000-4000 rpm K37
- Custom Equipment:** See Cabs & Bodies Section for description
- Appearance Option Z61
- Chrome Option V37
- Comfort Option Z62
- **Engine:**
292 Six; includes HD radiator and 61 amp-hr battery L25
283 V8 L32
- Gauges:** Ammeter, engine temperature, oil pressure Z53
- Generator:**
42 amp Delcotron K79
52 amp Delcotron K82
62 amp Delcotron K81
- Mirror, Rearview:** Exterior Right; 6¼" fixed arm D32
West Coast type Jr. (6" x 11") D29
West Coast type Sr. (7" x 16") D30
- Hooks, Towing:** Front V76
Lock: Right door A97
- Mirror, Rearview:** Exterior Right; 6¼" fixed arm D32
West Coast type Jr. (6" x 11") D29
West Coast type Sr. (7" x 16") D30
- GVW Plate:** 7800 lb Z70
- Heater & Defroster:** De Luxe C42
Recirculating C43
- Locks:** Right door A97
- Mirror, Rearview:** Exterior Right; 6¼" fixed arm D32
West Coast type Jr. (6" x 11") D29
West Coast type Sr. (7" x 16") D30
- Paint, Exterior:** See Colors section
- Radiator:** Heavy-duty V01
- Radio:** Manual control U60
- Seat, Folding Auxiliary:** A57
- Shock Absorbers:** Heavy-duty
Front F51
Rear F51
- Springs, Auxiliary Rear:**
Capacity 1050 lb each. For use with 3100-lb rear springs G60
- Springs, Front:**
Capacity 1750 lb each F60
- Springs, Rear:**
Capacity 3100 lb each G50
- Tachometer:** Electric; for 283 engine only; includes optional gauges U16
- Transmission:**
Heavy-duty 3-speed synchromesh M16
- Windshield Wipers & Washer:**
Electric; 2-speed wipers C14

TIRE & DISC WHEEL COMBINATIONS

Tire Size	Tire Capacity (lb ea)	Rim Width	Option Numbers				
			Highway Tread		On-Off-Road Tread		
			Regular	Nylon	Regular	Nylon	
TUBELESS							
8-17.5/6PR	1740	5.25"	Std a				
8-17.5/8PR	2060	5.25"	Std b		R87		
8-19.5/6PR	2090	5.25"	R94	R95			
8-19.5/8PR	2440	5.25"	R96	R98	R97		
8-19.5/10PR	2650	5.25"	R99				
TUBE-TYPE							
7.00-17/6PR	1740	5.0"	R72 a				



**Model C1406
Illustrated**

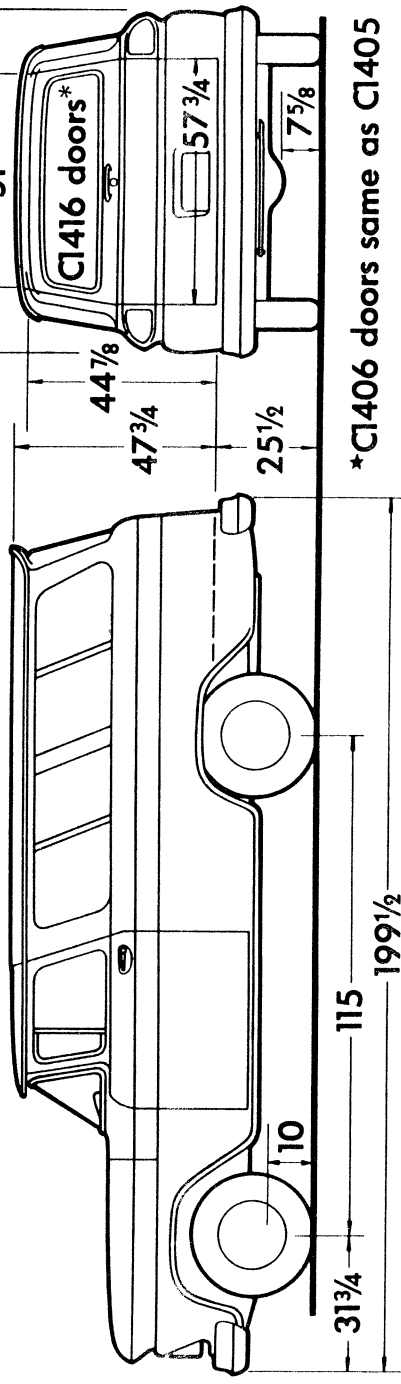
STANDARD EQUIPMENT

- Air Cleaner:** Oil-wetted; polyurethane element
- Axle, Rear:** Hypoid semi-floating type; ratio 3.73; capacity 3500 lb
- Battery:** 12-Volt; 54-plate; capacity 53 amp-hr
- Body:** Carryall; see *Cabs & Bodies*
- Brakes, Service:** Hydraulic
 Sizes: front 11" x 2"; rear 11" x 2"
 Effective area: drum 276 sq in; lining 167 sq in
- Brake, Parking:** Rear wheels; area 83 sq in
- Bumper:** Front & rear, painted
- Carburetor:** Single-barrel downdraft
- Clutch:** Diameter 10"; area 100 sq in
- Cooling:** Capacity 11 qt; 1 1/4" radiator core, 314-sq-in area; 13-lb pressure cap; 180° thermostat
- Controls & Instruments:** Hand choke; light switch; headlight beam control; speedometer; odometer; fuel gauge. Lights for generator, oil pressure, engine temperature, direction signals and high beam indicator
- Direction Signals:** Front and rear
- Doors, Rear:** Model C1406—Panel type
 Model C1416—Tailgate & liftgate
- Engine:** 230 Six; positive crankcase ventilation
 Gross horsepower 140
 Gross torque, lb-ft 220

- Exhaust System:** Single pipe & aluminized muffler
- Fenders:** Front and integral rear
- Filter, Fuel:** Screen in fuel tank
- Filter, Oil:** Full-flow; 1-quart; throw-away type
- Frame:** 39,000-lb-test steel; section modulus 2.98
- Generator:** 37-amp Delcotron
- GVW Plate:** 5000 lb
- Lights:** Head, parking, tail, stop; dome, instrument panel
- Mirror, Exterior:** Left side; 6 1/4" fixed arm
- Seats:** Two; for 6 passengers
- Shock Absorbers:** Front & rear; piston diameter 1"
- Springs, Front:** Coil; capacity 1250 lb each at ground
- Springs, Rear:** Coil; capacity 1250 lb each at ground
- Steering:** Ball-gear, ratio 24.0; wheel dia 17"
- Suspension, Front:** Independent; capacity 2500 lb
- Tank, Fuel:** Inside frame at rear; capacity 21 gallons
- Tires:** Five tubeless 7.10-15/4PR front, single rear and spare
- Tools:** 3300-lb mechanical jack; wheel wrench
- Transmission:** 3-speed synchromesh; steering column gearshift; ratios 2.94, 1.68, 1.00, 3.14 (rev)
- Wheels:** Five 15" x 5.0"; attachment, 6 studs on 5 1/2" circle; spare carrier under frame; 4 painted hub caps
- Windshield Wipers:** Electric; single-speed

DIMENSIONS

(With std equipment, unloaded)



*C1406 doors same as C1405

Curb Weight with Standard Equipment (lb)

Load Weight Distribution

550 lb	4400 lb	Standard	7.10-15/4PR	7.10-15/4PR
950 lb	4800 lb	2000-lb rear springs	7.10-15/6PR	7.10-15/6PR
1000 lb	5000 lb	2000-lb rear springs	7-17.5/6PR	7-17.5/6PR

OPTIONAL EQUIPMENT

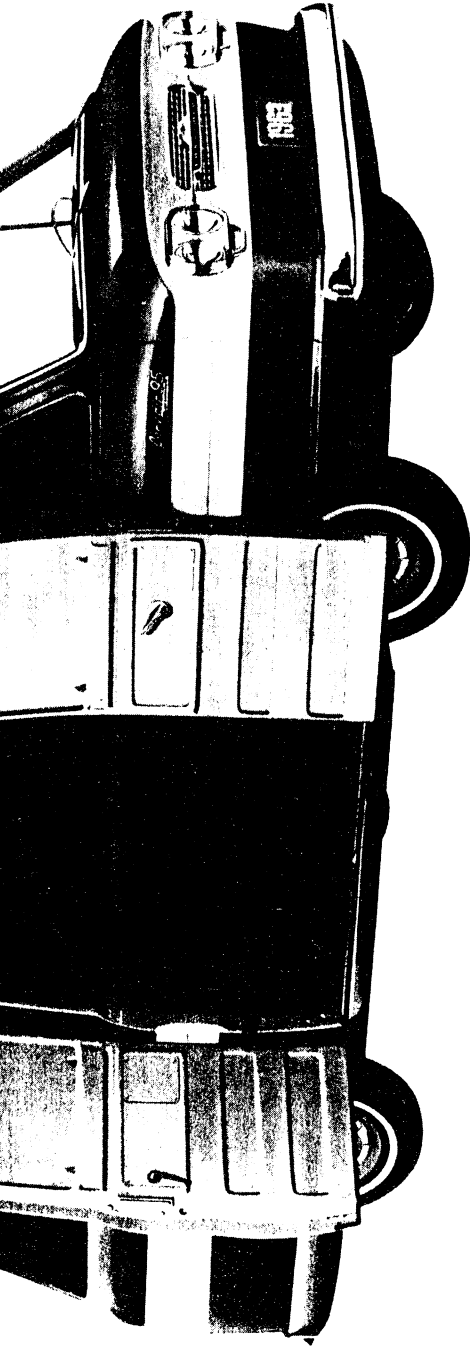
For dealer-installed equipment, see Custom Features section.

- **Air Cleaner:** Oil bath; capacity 2 pints; for 230 and 292 engine only; not available with vacuum power brakes. K48
- Axle, Position Rear:** Capacity 3500 lb; ratio 3.73. Not available with maximum economy equipment or 3.07 ratio rear axle. G80
- Axle, Rear:** Capacity 3500 lb Ratio 3.07; not available with Power-glide transmission. H01
- Ratio 4.11; not available with maximum economy equipment. H04
- Battery:** Heavy-duty; 70 amp-hr. T60
- Brakes, Vacuum Power:** J70
- Clutch:** Dia 11"; for 230 engine. M01
- Custom Equipment:** See Cabs & Bodies Section for description
- Appearance Option. Z61
- Chrome Option. V37
- Comfort Option. Z62
- Economy Equipment, Maximum:** Includes special carburetor & 3.07 ratio rear axle; for use with std engine and transmission only. Z54
- **Engine:**
- 292 Six; includes HD radiator and 61 amp-hr battery. L25
- 283 V8. L32
- Gauges:** Ammeter, engine temperature, oil pressure. Z53
- Generator:**
- 42 amp Delcotron. K79
- 52 amp Delcotron. K82
- 62 amp Delcotron. K81
- Glass, Laminated:** Side door windows only; includes metal frames. A09
- Glass, Soft Ray:**
- Windshield only. A11
- All windows. A11
- **Governor:** Not available with Powerglide
- 230 engine: 1800-3100 rpm. K37
- 3000-4000 rpm. K37
- 283 engine: 2400-3600 rpm. K37
- 3000-3800 rpm. K37
- 292 engine: 1800-3100 rpm. K37
- ~~3000-3900 rpm. K37~~
- Heater & Defroster:** De Luxe. C42
- Recirculating. C43
- Hooks, Towing:** Front. V76
- Lock:** Right door. A97
- Mirror, Rearview:** Exterior Right; 6 1/4" fixed arm. D32
- West Coast type, Jr. (6" x 11") D29
- West Coast type, Sr. (7" x 16") D30
- Paint, Exterior:** See Colors section
- Radiator:** Heavy-duty. V01
- Radio:** Manual control. U60
- Seat, Third:** Capacity 2 passengers; sliding rear side windows included. A59
- Shock Absorbers:** Heavy-duty Front and rear. F51
- Rear only. F51
- Springs, Auxiliary Rear:** Capacity 500 lb each. G60
- Springs, Rear:** Capacity 2000 lb each. G50
- Tachometer:** Electric; for 283 engine only; includes optional gauges. U16
- Transmission:**
- Heavy-duty 3-speed synchromesh. M16
- 4-speed synchromesh; includes 11" clutch. M20
- Powerglide; includes heavy-duty radiator. M35
- Windshield Wipers & Washer:** Electric; 2-speed wipers. C14

And 11" Clutch

TIRE & DISC WHEEL COMBINATIONS

Tire Size	Tire Capacity (lb ea)	Rim Width	Option Numbers		
			Highway Tread		On-Off-Road Tread
			Regular	Nylon	Regular → Nylon
TUBELESS					
7.10-15/4PR	1195	5.00"	Std a	R52	-
7.10-15/6PR	1300	5.00"	R54	-	-
6.70-15/6PR	1215	5.00"	Q01 c	-	-
6.50-16/6PR	1380 b	5.00"	R59	-	-
6.50-16/6PR	1420 b	5.00"	R60	-	-
7-17.5/6PR	1520	5.25"	R80	R82	R81
TUBE-TYPE					
6.70-15/6PR	1215	5.0"	R34	-	-
7.00-15/6PR	1520	5.5"	R42	R44	R43
6.50-16/6PR	1380 b	5.0"	R61	-	R69



PANELS

Bakeries

Dairies

Diaper Services

Dry Cleaners

Interior Decorators

Laundries

Painters

CARRYALLS

Bus Line Operators

Clubs

Construction Firms

Movie Makers

Prospectors

Sportsmen

Surveyors

