

# SERIES K10, K/5 BLAZER

GVW Ratings up to 5000 lb

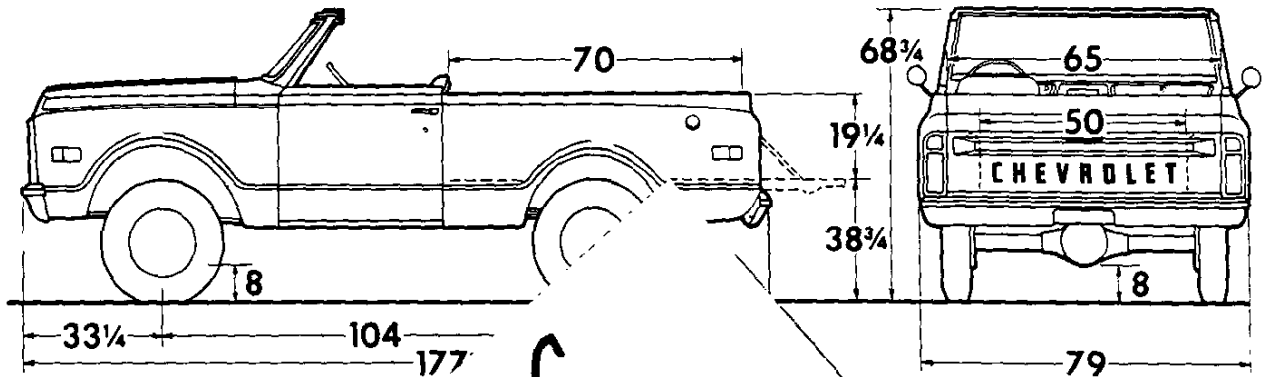
## SERIES K10-K/5 BLAZER

### Six-Cylinder Models

**KS10514** Utility

### V8 Models

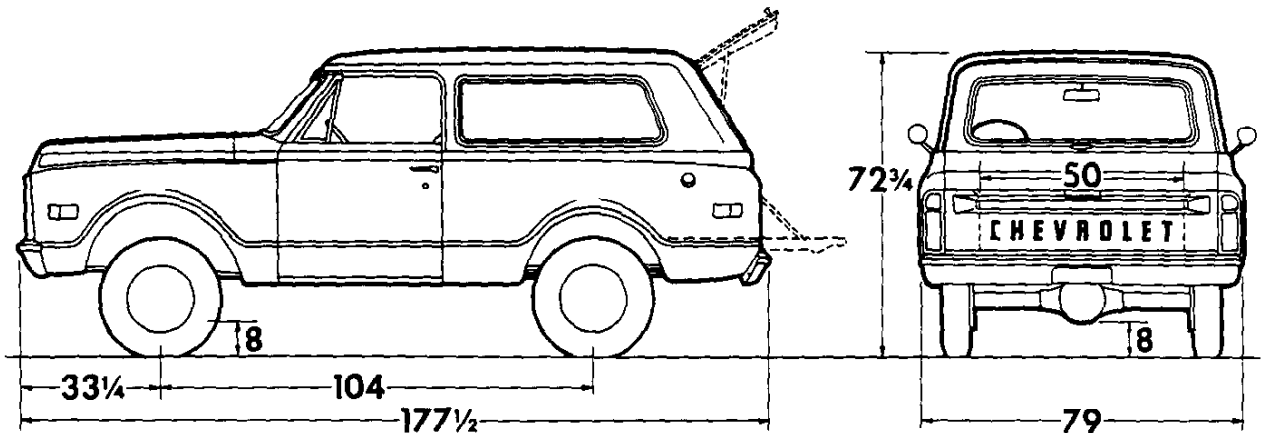
**KE10514** Utility



Models	Dimensions (in)★			Weights (lb)			Payload Wt. Dist.*	
	WB	UL	OL	Front	Rear	Total	Front	Rear
<b>KS10514</b>	104	70	177 1/2	2076	1632	3708	2%	98%
<b>KE10514</b>				2185	1649	3834		

\*Estimate based on water-level loading.

★ Dimensions with std equipment, unloaded.



Model Shown with optional top

# SERIES K10, K/5 BLAZER (FOUR-WHEEL DRIVE)

## STANDARD EQUIPMENT

**Air Cleaner:** Oiled-paper element

**Axle, Front:** Hypoid, ratio 3.73; capacity 3300 lb  
40° (degree) turn angle; yoke and trunion universal joints

**Axle, Rear:** Hypoid semi-floating type; ratio 3.73; capacity 3300 lb

**Battery:** 12-volt, 54-plate; capacity 53 amp-hr

**Body:** Open Utility

**Brakes, Service:** Hydraulic; self-adjusting; dual system

Sizes: front 11" x 2"; rear 11" x 2"

Effective area: drum 276 sq in; lining 167 sq in

**Brake, Parking:** Cable to rear wheels; area 83 sq in; foot operated

**Bumper:** Front & rear, painted

**Carburetor:** KS10: single-barrel downdraft  
KE10: two-barrel downdraft

**Clutch:** KS10: diameter 10"; area 100 sq in  
KE10: diameter 11"; area 124 sq in

**Cooling:** KS10: 1¼" radiator core, cross-flow type; 446-sq-in area; 13-lb pressure cap  
KE10: 1¼" radiator core, cross-flow type; 480-sq-in area; 13-lb pressure cap

**Controls & Instruments:** Water-proofed instrument cluster with light switch; windshield wiper-washer switch; speedometer; odometer; fuel gauge. Lights for generator, oil pressure, engine temperature, brake warning, direction signals and high beam indicator. Water-proofed ignition switch with accessory position and headlight beam control

**Direction Signals:** Class A; two front and two rear. Includes freeway lane-change position on switch & integral hazard warning switch

**Engine:** KS10: 250 Six; closed positive crankcase ventilation; exhaust emission control

Gross horsepower . . . . . 155 @ 4200 rpm  
Net horsepower . . . . . 120 @ 3800 rpm  
Gross torque, lb-ft. . . . . 235 @ 1600 rpm  
Net torque, lb-ft. . . . . 210 @ 2000 rpm

E10: 307 V8; closed positive crankcase ventilation; exhaust emission control

Gross horsepower . . . . . 200 @ 4600 rpm  
Net horsepower . . . . . 150 @ 4000 rpm  
Gross torque, lb-ft. . . . . 300 @ 2400 rpm  
Net torque, lb-ft. . . . . 255 @ 2000 rpm

Rating shown with exhaust emission controls

**Exhaust Emission Control Equipment:** See *Engine Clutch* section for types used

**Exhaust System:** Single pipe & aluminized muffler

→ **Filter, Fuel:** Plastic mesh in fuel tank  
KS10: Popen type in carburetor  
KE10: Sintered bronze in carburetor

**Filter, Oil:** KS10: full-flow; 1-quart; throwaway type  
KE10: full-flow; 1-quart; replaceable element

**Floor Mat:** Front compartment; black, embossed rubber

**Frame:** 39,000-lb-test steel; section modulus 2.70

**Fuel Pump:** Single action

**Generator:** 37-amp Delcotron

**GVW Plate:** 5000 lb

**Heater & Defroster:** Deluxe-Air

**Lights & Reflectors:**

Two headlights; two Class A front combination parking/direction signals; two Class A rear combination tail/stop/direction signals; two front and two rear side marker reflectors; two backup; one license; instrument panel

**Mirror, Rearview:** Exterior RH & LH 6¼" fixed arm and inside 10" vinyl-edged prismatic

**Seat:** Driver only; full foam cushion; vinyl trim (heavy-duty Panel type)

**Seat Belt:** Driver only; includes retractors

**Shock Absorbers:** Front & rear; piston diameter 1"

**Springs, Front:** Tapered-leaf; capacity 1450 lb each

**Springs, Rear:** Two-stage, combination multi-leaf & tapered-leaf; capacity 1800 lb each

**Steering:** Ball-gear, ratio 24:1, wheel, oval 17½" x 17", 2-spoke with water-proofed horn button

**Tank, Fuel:** Inside frame at rear; capacity approximately 23.5 gal

**Tires:** Five tubeless 7.35-15/4PR front, single rear and spare

**Tools:** 2500-lb mechanical jack; wheel wrench

**Transfer Case:** Dana #20, 2-speed; ratios 2.03 & 1.00; power take-off opening on bottom, single control lever

**Transmission:** 3-speed fully synchronized; steering column gearshift; ratios 2.85, 1.68, 1.00, 2.95 (rev)

**Wheels:** Five 15" x 5½"; attachment, 6 studs on 5½" circle; spare carrier inside LH cargo area behind front seat

**Windshield Wipers & Washer:** Electric; 2-speed wipers

## GVW SELECTOR

GVW Rating (lb)	Chassis Equipment Required for GVW Rating
4600	Standard
5000♦	

♦ GVW rating shown on vehicle rating plate; ratings are increased or decreased in accordance with the minimum equipment shown in the chart

**Note:** Be sure to recommend adequate springs and tires for total axle loads. See *Optional Equipment and Tire & Wheel Combination* pages.

→ Indicates change

# K10 SERIES-BLAZER (4-WHEEL DRIVE)

## 1969 MODELS WITH STANDARD EQUIPMENT

Model & Type	Wheel-base	Factory D & H	List Price	Mfr's Sgt'd Dealer NVPC*	Mfr's Sgt'd Retail Price*	Desti-nation Charge & Group Number	Total
<b>6-Cylinder 155-hp High Torque 250 Engine</b>							
KS10514 Utility	104"	\$155.00	\$2672.00	\$25.00	\$2852.00	44	
<b>8-Cylinder 200-hp High Torque 307 Engine</b>							
KE10514 Utility	104"	160.00	2762.00	25.00	2947.00	44	

\* Manufacturer's Suggested Dealer New Vehicle Preparation Charge.

\* Manufacturer's Suggested Retail Prices do not include state and local taxes, license fees, options or accessories.

### OPTIONS & ACCESSORIES WHEN INSTALLED BY CHEVROLET

Description	Option Number	Factory D & H	List Price	Mfr's Suggested Retail Delivered Price <sup>◇</sup>
<b>POWER TEAMS &amp; AXLES</b>				
<b>Engine:</b>				
350 V8. Includes 4-barrel carburetor, 3.07 ratio rear axle and 12" clutch. Available only when 4-speed or Turbo Hydra-matic transmission is ordered.	LS9	\$ 1.90	\$ 35.00	\$ 36.90
<b>Transmission:</b>				
Turbo Hydra-matic. Includes 3.07 ratio on KE10 models and H.D. radiator. Not available when air cleaner or governor is ordered.	M49	11.45	215.00	226.45
Chevrolet 4-speed. Includes 3.07 ratio when 350 engine is ordered.	M20	4.80	90.00	94.80
<b>OTHER OPTIONS</b>				
<b>Air Cleaner:</b> Oil-bath; capacity 1 quart. Not available on KE10 models when Turbo Hydra-matic transmission is ordered.	K48	.55	10.00	10.55
<b>Air Cleaner, Heavy-Duty:</b> Includes oil-bath pre-cleaner. Not available on KE10 models when Turbo Hydra-Matic is ordered.	K46	2.95	55.00	57.95
<b>Air Conditioning:</b> Available only when auxiliary top is ordered. Includes H.D. radiator and 42 amp generator.	C60	19.45	365.00	384.45
<b>Battery:</b>				
Auxiliary. Not available when H.D. air cleaner is ordered.	TP2	2.15	40.00	42.15
Heavy-duty; 66-plate, 70-amp-hr.	T60	.40	7.00	7.40
<b>Belts, Seat:</b> Installed for third passenger. Available only when rear seat is ordered.	A68	.35	6.00	6.35
<b>Belts, Shoulder:</b> Available only when auxiliary top is ordered				
Driver only; not available when passenger seat is specified.	A85	.70	12.50	13.20
Driver and passenger; available only when passenger seat is ordered.	A85	1.35	25.00	26.35
Rear seat; LH & RH passenger only. Available only when rear seat is ordered.	AS5	1.35	25.00	26.35
<b>Brakes:</b> Vacuum Power.	J70	2.25	42.00	44.25

# K10 SERIES BLAZER

## OPTIONS & ACCESSORIES WHEN INSTALLED BY CHEVROLET

Description	Option Number	Factory D & H	List Price	Mfr's Suggested Retail Delivered Price <sup>◇</sup>
<b>Bumper:</b>				
<i>Painted: Rear step</i>				
Without Custom Sport Truck	V43	\$ 1.25	\$ 23.00	\$ 24.25
With Custom Sport Truck	V43	.55	10.00	10.55
<b>Chromed:</b>				
Front and rear; included when Custom Sport Truck is ordered	V37	1.40	26.00	27.40
Front; with rear step bumper only. Not available when Custom Sport Truck is ordered	V46	.70	13.00	13.70
<b>Caps, Hub:</b> Chromed; not available when 10-16.5/8 PR tires are ordered	P03	.70	13.00	13.70
<b>Clutch, HD:</b> Diameter 11". Available on 250 engine with std 3-speed transmission only. Included when 4-speed transmission or 307 engine is ordered.	M01	.30	5.50	5.80
<b>Cooling:</b>				
<i>HD radiator only; included when air conditioning or automatic transmission is ordered</i>	V01	1.10	20.00	21.10
<i>HD radiator and extra-HD cooling equipment</i>	V05	2.30	43.00	45.30
<b>Custom Moldings:</b>				
Bright Lower Body Side Moldings. Includes bright metal fender, door, body side, tail light and back-up light moldings and bright fuel filler cap. Included when Custom Sport Truck is ordered	BX2	2.15	40.00	42.15
<b>Custom Sport Truck:</b>				
Includes bucket seats; console; RH sunshade and armrest; cigar lighter; CST emblems; special insulation; undercoating; chromed bumpers; bright control knob and pedal trim; bright windshield, body side, tail gate, tail light and back-up light moldings, bright fuel filler cap, side marker reflectors and bright transfer case shift lever				
<i>With auxiliary top with rear seat</i>				
also includes bright vent window molding; embossed vinyl door and body trim panels with bright upper retainers and front & rear color-keyed carpeting	Z84	18.10	340.00	358.10
<i>With auxiliary top without rear seat</i>				
also includes bright vent window molding; embossed vinyl door and body trim panels with bright upper retainers; front color-keyed carpeting and rear color-keyed vinyl coated rubber floor mat	Z84	18.10	340.00	358.10
<i>Without auxiliary top</i>				
also includes front color-keyed vinyl coated rubber floor mat	Z84	14.90	280.00	294.90

◇ State and local taxes not included.

# K10 SERIES BLAZER

## OPTIONS AND ACCESSORIES WHEN INSTALLED BY CHEVROLET

Description	Option Number	Factory D & H	List Price	Mfr's Suggested Retail Delivered Price <sup>◇</sup>
<b>Filter, Fuel</b> .....	K28	\$ .40	\$ 7.50	\$ 7.90
<b>Gauges:</b>				
Ammeter, engine temperature & oil pressure .....	Z53	.55	10.00	10.55
Tachometer, ammeter, engine temperature and oil pressure .....	U16	2.65	49.00	51.65
<b>Generator, Alternating Current:</b>				
42-amp Delcotron; included when air conditioning is ordered .....	K79	1.10	20.00	21.10
61-amp Delcotron .....	K76	1.50	28.00	29.50
62-amp Delcotron .....	K81	4.45	83.00	87.45
<b>Glass, Door:</b> Frameless drop glass windows and framed vent window glass. Included when auxiliary top is ordered.				
With Custom Sport Truck Equipment; also includes chrome vent moldings .....	A09	2.66	50.00	52.66
Without Custom Sport Truck Equipment .....	A09	2.15	40.00	42.15
<b>Glass, Soft-Ray:</b>				
All windows; available only when auxiliary top or door glass is ordered .....	A11	1.05	19.00	20.05
Windshield only .....	AA2	.75	14.00	14.75
<b>Governor:</b> Not available when automatic transmission or 350 V8 engine is ordered. Includes manual choke.				
For 250 engine—1800-3000 rpm (low rpm setting) .....	K37	.95	17.00	17.95
—2800-4000 rpm (high rpm setting) .....	K38	.95	17.00	17.95
For 307 engine—2300-3100 rpm (low rpm setting) .....	K37	.95	17.00	17.95
—2800-4100 rpm (high rpm setting) .....	K38	.95	17.00	17.95
<b>Guards:</b> Door edge .....	B93	.20	3.30	3.50
<b>Heater, Engine Block</b> .....	K05	.55	10.00	10.55
<b>Hooks, Towing:</b> Two, front. Not available when chromed bumper or Custom Sport Truck is ordered .....	V76	.90	16.00	16.90
<b>Hubs, Free-Wheeling:</b> Manual control at hubs .....	F76	3.90	73.00	76.90
<b>Lamps:</b>				
Courtesy .....	U29	.35	6.00	6.35
Side Marker .....	UB3	.55	10.00	10.55
<b>Lock:</b> For spare wheel carrier .....	A97	.35	6.00	6.35
<b>Mirrors, Exterior:</b> Replaces standard RH & LH mirrors				
Below-Eye-Line type				
7.5" x 10.5" painted .....	D29	1.00	18.50	19.50
7.5" x 10.5" stainless steel .....	DG4	1.65	31.00	32.65
<b>Paint, Exterior:</b> See Color & Trim Chart				
Solid color .....				
<b>Radio:</b> Pushbutton .....	U63	3.10	58.00	61.10
<b>Seats, Front:</b>				
Auxiliary One-Passenger. Includes RH sunshade, armrest and seat belt. Not available when bucket seats or Custom Sport Truck is ordered .....	AN3	3.55	66.00	69.55
Bucket Driver & Passenger. Includes console, RH sunshade, armrest and seat belt. Included when Custom Sport Truck is ordered				
With auxiliary top; also includes front compartment color-keyed carpeting .....	A50	9.05	170.00	179.05
Without auxiliary top; also includes front compartment color-keyed vinyl coated rubber mat .....	A50	8.00	150.00	158.00
<b>Seat, 3-Passenger Rear:</b> Seat trim matches front seat. Includes RH & LH rear armrests and seat belts. Available only when 8.25-15, 6.50-16 or truck type tires are ordered				
With standard front seat				
Also includes black embossed rubber rear floor mat .....	AS3	5.35	100.00	105.35
With bucket seats with auxiliary top				
Also includes color-keyed rear floor carpeting .....	AS3	5.35	100.00	105.35
With bucket seats without auxiliary top				
Also includes color-keyed vinyl coated rubber rear floor mat .....	AS3	5.35	100.00	105.35

◇ State and local taxes not included.

# K10 SERIES BLAZER

## OPTIONS AND ACCESSORIES WHEN INSTALLED BY CHEVROLET

Description	Option Number	Factory D & H	List Price	Mfr's Suggested Retail Delivered Price <sup>◇</sup>
<b>Shock Absorbers: Heavy-duty</b>				
Front and rear.....	F51	\$ .80	\$ 15.00	\$ 15.80
Rear only.....	G68	.45	8.00	8.45
<b>Springs, Front:</b> Capacity 1750-lb each.....	F60	1.60	30.00	31.60
<b>Steering, Power</b> .....	N40	6.65	125.00	131.65
<b>Throttle Control:</b> Manual.....	K31	.45	8.00	8.45
<b>Tires and Wheels:</b> See page 15				
<b>Top, Auxiliary:</b> Fiberglass with textured paint. Includes rear side windows and upper lift gate with fixed rear window plus front doors with vent windows and frameless drop glass and shoulder belt anchor				
White.....	Z58	13.60	255.00	268.60
Black.....	Z59	13.60	255.00	268.60
<b>Wheel Covers:</b> Bright metal. Front units have holes to clear hubs. Available only when 7.35-15 or 8.25-15 tires are ordered.....	P01	1.35	24.50	25.85

<sup>◇</sup> State and local taxes not included.

# K10 SERIES BLAZER

## TUBE-TYPE TIRES (Factory Installed)

Tire and Wheel Type All tires have black sidewalls except as indicated		Rim Width Included In Tire Option	Option Number	Factory D & H	List Price	Mfr's Suggested Retail Delivered Price <sup>⊙</sup>
<b>8.25-15/4PR</b>						
— Highway Original Equipment	(5) Front, rear, spare	5½	RL2	\$ 2.45	\$ 31.00	\$ 33.45
— On-Off-Road Original Equipment	(5) Front, rear, spare	5½	R56	2.30	31.00	33.30
<b>6.50-16/6PR</b> (Pass type)						
— Highway Original Equipment	(5) Front, rear, spare	5.00	R61	7.20	75.00	82.20
— On-Off-Road Original Equipment	(5) Front, rear, spare	5.00	R69	7.20	75.00	82.20
<b>7.00-15/6PR Maximum Tire Capacity—Front (1720) Rear (1720)</b> (Truck type)						
— Highway Nylon	(5) Front, rear, spare	5.50	R44	11.95	149.00	160.95
— On-Off-Road Nylon	(5) Front, rear, spare	5.50	R43	12.85	149.00	161.85

## TUBELESS TIRES (Factory Installed)

<b>*7.35-15/4PR</b>						
— Highway Original Equipment	(5) Front, rear, spare	5½	Std	1.45	32.00	33.45
	(5) Front, rear, spare (whitewall)	5½	RJ3			
— On-Off-Road Original Equipment	(5) Front, rear, spare	5½	RJ4	1.25	10.00	11.25
<b>*8.25-15/4PR</b>						
— Highway Original Equipment	(5) Front, rear, spare	5½	Q04	2.85	28.00	30.85
	(5) Front, rear, spare (whitewall)	5½	R51	4.30	62.00	66.30
— On-Off-Road Original Equipment	(5) Front, rear, spare	5½	R55	3.90	28.00	31.90
<b>●8.25-15/8PR</b>						
— Highway Original Equipment	(5) Front, rear, spare	5½	QA5	6.50	58.00	64.50
	(5) Front, rear, spare (whitewall)	5½	QA6	7.90	92.00	99.90
— On-Off-Road Original Equipment	(5) Front, rear, spare	5½	QB4	6.50	58.00	64.50

## WIDE BASE TUBELESS TIRES (Factory Installed)

<b>8.00-16.5/6PR Maximum Tire Capacity—Front (1730) Rear (1730)</b>						
— Highway Nylon	(5) Front, rear, spare	6.00	R70	15.25	190.50	205.75
— On-Off-Road Nylon	(5) Front, rear, spare	6.00	RQ2	14.75	190.50	205.25
<b>8.75-16.5/6 Maximum Tire Capacity—Front (1990) Rear (1990)</b>						
— Highway Nylon	(5) Front, rear, spare	6.00	RP5	18.10	230.50	248.60
— On-Off-Road Nylon	(5) Front, rear, spare	6.00	RP2	16.95	230.50	247.45

## TUBELESS FLOTATION-TYPE TIRES (Factory Installed)

<b>10-16.5/6PR Maximum Tire Capacity—Front (2330) Rear (2330)</b>						
— Highway Nylon	(5) Front, rear, spare	8.25	R79	28.70	450.50	479.20
— On-Off-Road Nylon	(5) Front, rear, spare	8.25	RR2	28.75	450.50	479.25

⊙ State and local taxes not included

\* 2-ply construction; 4-ply rating

● 4-ply construction; 8-ply rating

April 1, 1969

TRUCK DATA BOOK

Conventional Gasoline—10: Page 7

# BLAZER COLOR & TRIM CHART

## IMPORTANT

**Dealer Note:** Exterior and interior combinations shown in chart below are those recommended by Chevrolet; however, any exterior color may be ordered with any available interior color if the particular combination is desired by a customer.

EXTERIOR		INTERIOR TRIM					
Color	Option Number	<i>All orders must show one of the following interior trim codes on the order form.</i>					
	Solid	Red	Blue	Green	Saddle	Black	Turquoise
Black	500	1	2	3		6	7
Blue, Dark	508		2			6	
Blue, Light	507		2		4	6	
Green, Dark	505			3		6	
Green, Light	503			3	4	6	
Maroon	517	1			4	6	
Olive Green	504					6	
Orange	516				4	6	
Red	514	1			4	6	
Saddle	525	1		3	4	6	
Silver	523	1	2	3		6	7
Turquoise	511				4	6	7
White	521	1	2	3	4	6	7
Yellow, Dark	519				4	6	
Yellow	520				4	6	



# SERIES C10

GVW Ratings up to 5000 lb

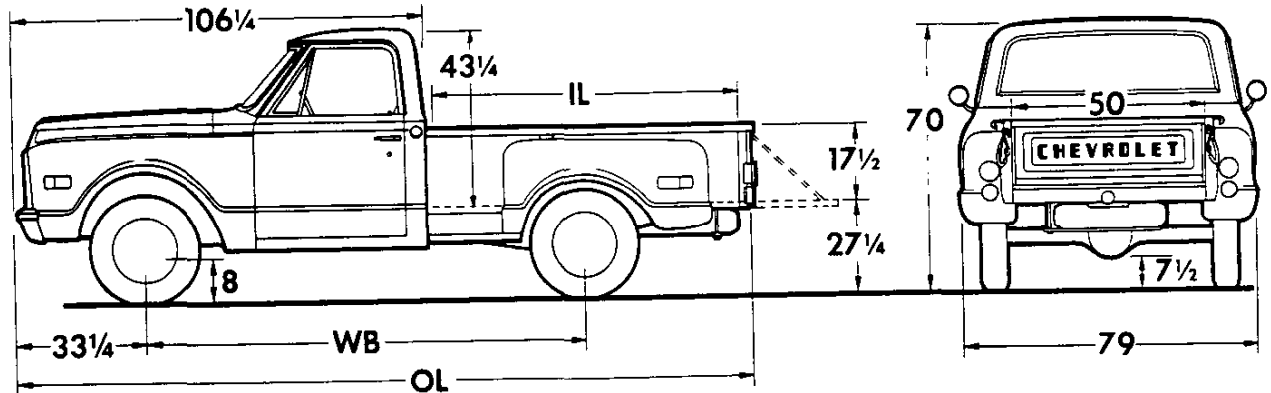
## SERIES C10—STEPSIDE PICKUPS

### Six-Cylinder Models

**CS10704** Stepside Pickup  
**CS10904** Stepside Pickup

### V8 Models

**CE10704** Stepside Pickup  
**CE10904** Stepside Pickup



Models	Dimensions (in)★			Curb Weights (lb)			Payload Wt. Dist.*	
	WB	IL	OL	Front	Rear	Total	Front	Rear
<b>CS10704</b> <b>CE10704</b>	115	78 1/4	188 1/2	2011 2118	1436 1452	3447 3570	1%	99%
<b>CS10904</b> <b>CE10904</b>	127	98	207 3/4	2105 2204	1431 1439	3536 3643	3	97

\*Estimate based on water-level loading.

★Dimensions with std equipment, unloaded.

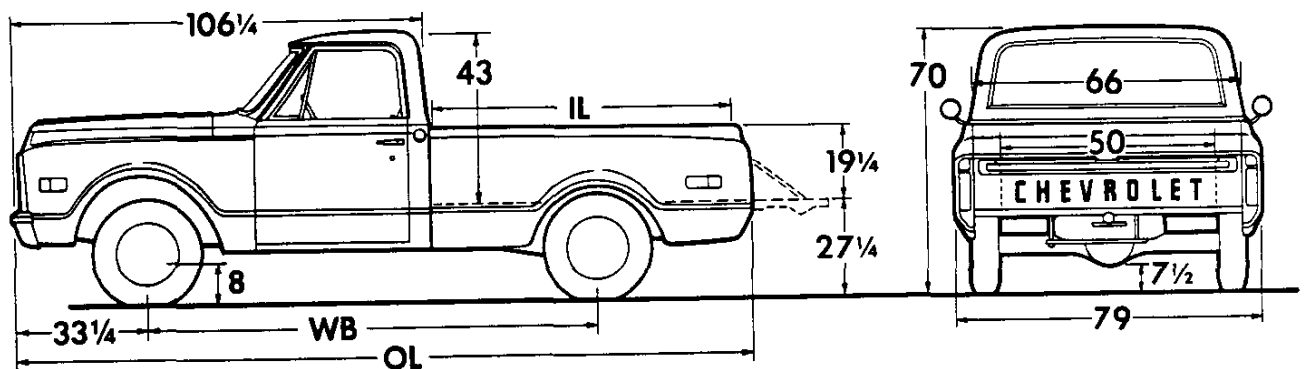
## SERIES C10—FLEETSIDE PICKUPS

### Six-Cylinder Models

**CS10734** Fleetside Pickup  
**CS10934** Fleetside Pickup

### V8 Models

**CE10734** Fleetside Pickup  
**CE10934** Fleetside Pickup



Models	Dimensions (in)★			Curb Weights (lb)			Payload Wt. Dist.*	
	WB	IL	OL	Front	Rear	Total	Front	Rear
<b>CS10734</b> <b>CE10734</b>	115	78 1/4	188 1/2	2024 2131	1503 1520	3527 3651	2%	98%
<b>CS10934</b> <b>CE10934</b>	127	98	207 3/4	2126 2229	1505 1514	3631 3743	4	96

\*Estimate based on water-level loading.

★Dimensions with std equipment, unloaded.

# SERIES C10

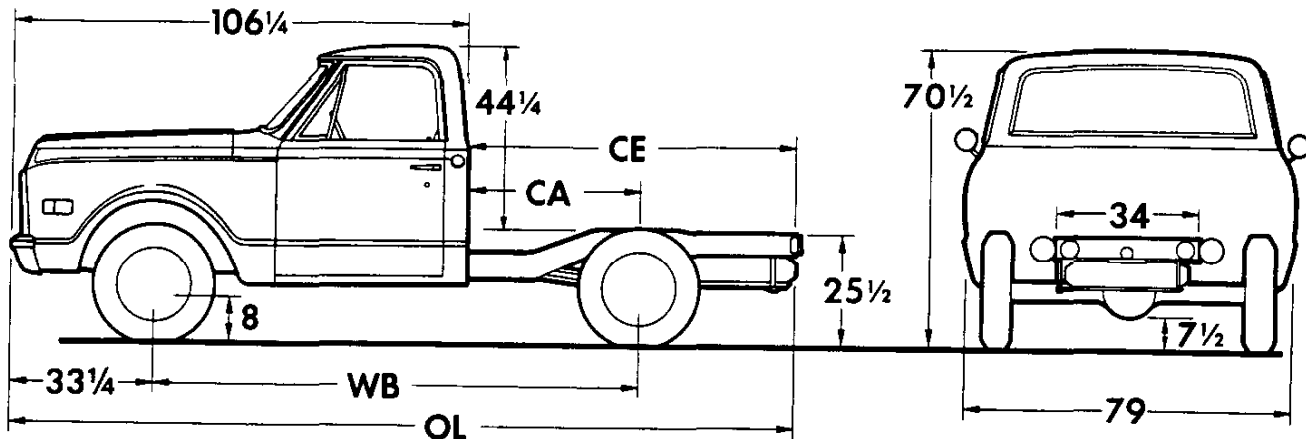
## SERIES C10—CHASSIS-CABS

### Six-Cylinder Models

CS10703 Chassis-Cab  
CS10903 Chassis-Cab

### V8 Models

CE10703 Chassis-Cab  
CE10903 Chassis-Cab



Models	Dimensions (in)★				Curb Weights (lb)			Body-Payload Wt. Dist.*		
	WB	CA	CE	OL	Front	Rear	Total	Body	Front	Rear
CS10703 CE10703	115	42	75 1/2	181 1/4	2022 2136	1089 1100	3111 3236	6'	3%	97%
CS10903 CE10903	127	54	95 1/2	201 1/4	2078 2187	1061 1068	3139 3255	7' 7 1/2' 8'	7 5 2	93 95 98

\*Estimate based on water-level loading.

★Dimensions with std equipment, unloaded.

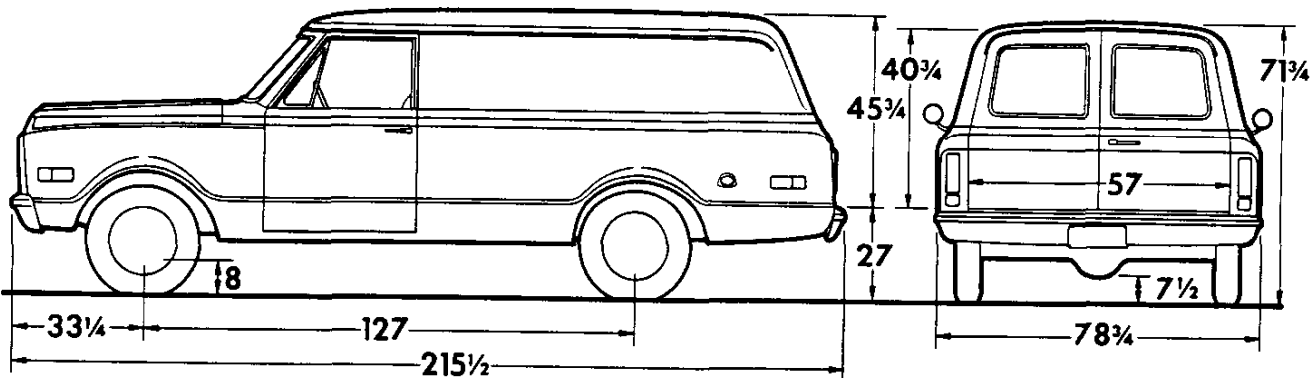
## SERIES C10—PANELS

### Six-Cylinder Models

CS10905 Panel

### V8 Models

CE10905 Panel



Models	Dimensions (in)★		Curb Weights (lb)			Body-Payload Wt. Dist.*	
	WB	OL	Front	Rear	Total	Front	Rear
CS10905 CE10905	127	215 1/2	1930 2029	1812 1827	3742 3856		

\* Estimate based on water-level loading.

★ Dimensions with std equipment, unloaded.

# SERIES K10

GVW Ratings up to 5600 lb

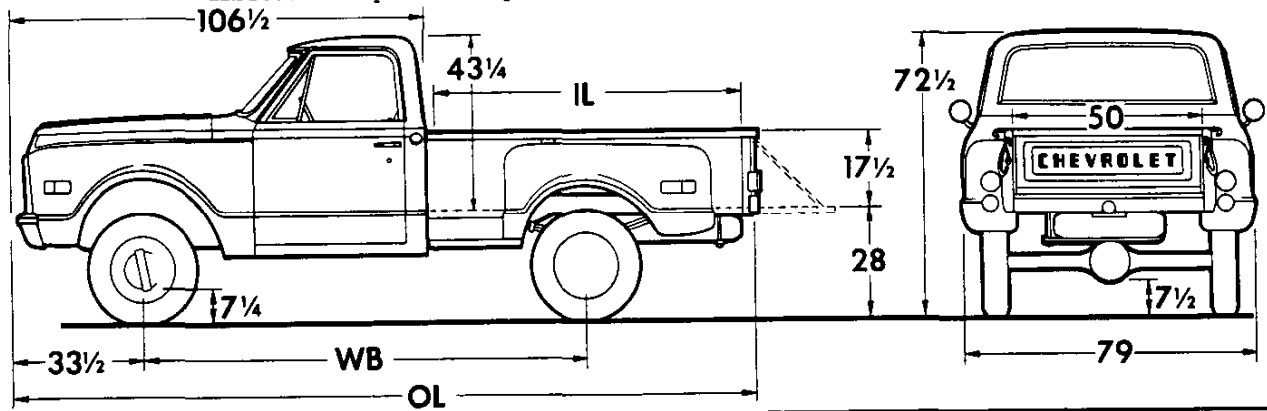
## SERIES K10—STEPSIDE PICKUPS

### Six-Cylinder Models

**KS10704** Stepside Pickup  
**KS10904** Stepside Pickup

### V8 Models

**KE10704** Stepside Pickup  
**KE10904** Stepside Pickup



Models	Dimensions (in)★			Curb Weights (lb)			Payload Wt. Dist.*	
	WB	IL	OL	Front	Rear	Total	Front	Rear
<b>KS10704</b> <b>KE10704</b>	115	78	188¾	2239 2353	1532 1545	3771 3898	1%	99%
<b>KS10904</b> <b>KE10904</b>	127	98	208	2371 2498	1545 1563	3916 4061	3	97

\*Estimate based on water-level loading.

★ Dimensions with std equipment, unloaded.

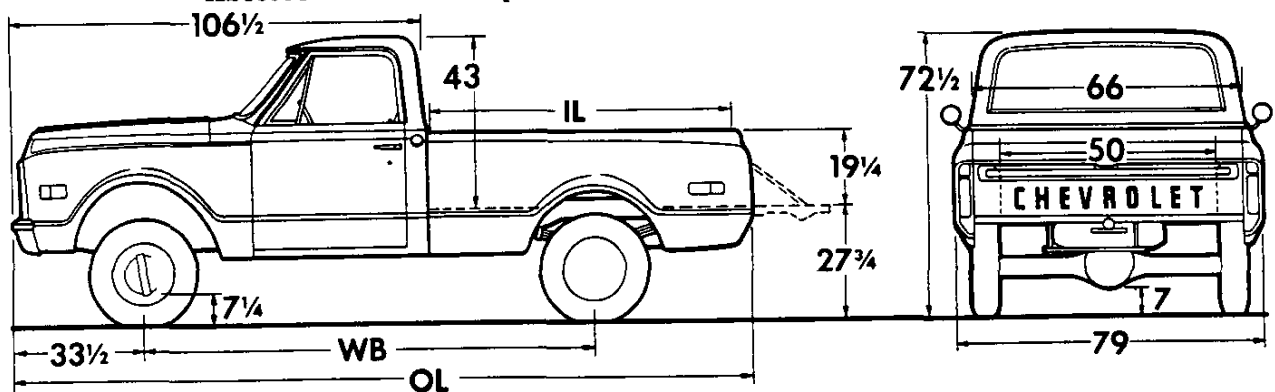
## SERIES K10—FLEETSIDE PICKUPS

### Six-Cylinder Models

**KS10734** Fleetside Pickup  
**KS10934** Fleetside Pickup

### V8 Models

**KE10734** Fleetside Pickup  
**KE10934** Fleetside Pickup



Models	Dimensions (in)★			Curb Weights (lb)			Payload Wt. Dist.*	
	WB	IL	OL	Front	Rear	Total	Front	Rear
<b>KS10734</b> <b>KE10734</b>	115	78	188¾	2249 2363	1602 1615	3851 3978	2%	98%
<b>KS10934</b> <b>KE10934</b>	127	98	208	2397 2517	1627 1639	4024 4156	4	96

\*Estimate based on water-level loading.

★ Dimensions with std equipment, unloaded.

# SERIES K10

## SERIES K10—CHASSIS-CABS

### Six-Cylinder Models

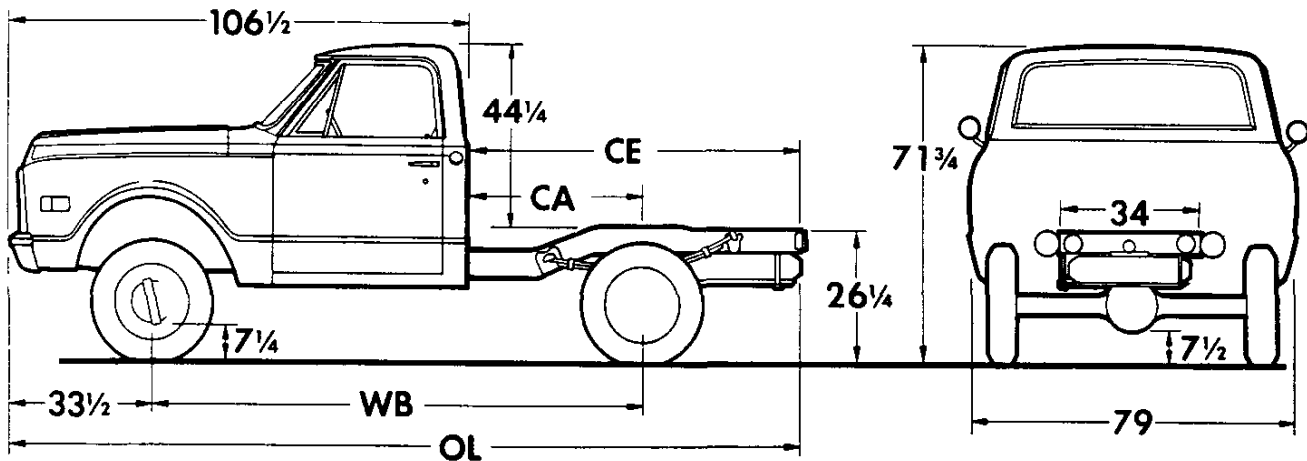
**KS10703** Chassis-Cab

**KS10903** Chassis-Cab

### V8 Models

**KE10703** Chassis-Cab

**KE10903** Chassis-Cab



Models	Dimensions (in)★				Curb Weights (lb)			Body-Payload Wt. Dist.*		
	WB	CA	CE	OL	Front	Rear	Total	Body	Front	Rear
<b>KS10703</b> <b>KE10703</b>	115	42	75½	182	2269	1166	3435	6'	3%	97%
<b>KS10903</b> <b>KE10903</b>	127	54	95½	202	2362	1150	3512	7'	7	93
					2496	1161	3657	7½'	5	95
								8'	2	98

\*Estimate based on water-level loading.

★ Dimensions with std equipment, unloaded.

# SERIES C10 (EXCEPT SUBURBAN CARRYALLS)

## STANDARD EQUIPMENT

**Air Cleaner:** Oiled-paper element

**Axle, Front:** Independent; capacity 2500-lb

**Axle, Rear:** Hypoid semi-floating type; ratio 3.73; capacity 3500-lb

**Battery:** 12-volt, 54-plate; capacity 53 amp-hr

**Bodies:** See *Cabs, Bodies & Colors*

**Brakes, Service:** Hydraulic; self-adjusting; dual system  
 Sizes: front 11" x 2"; rear 11" x 2"  
 Effective area: drum 276 sq in; lining 167 sq in

**Brake, Parking:** Cable to rear wheels; area 83 sq in; foot operated

**Bumper:** Painted  
 All models (except Panel): Front only  
 Panel models: Front and rear

**Carburetor:** CS10: single-barrel downdraft  
 CE10: two-barrel downdraft

**Clutch:** CS10: diameter 10"; area 100 sq in  
 CE10: diameter 11"; area 124 sq in

**Cooling:** CS10: 1¼" radiator core, cross-flow type; 446-sq-in area; 13-lb pressure cap  
 CE10: 1¼" radiator core, cross-flow type; 480-sq-in area; 13-lb pressure cap

**Controls & Instruments:** Light switch; windshield wiper-washer switch; headlight beam control; speedometer; odometer; fuel gauge. Lights for generator, oil pressure, engine temperature, brake warning, direction signals and high beam indicator. Ignition switch with accessory position

**Direction Signals:** Class A; two front and two rear. Includes freeway lane-change position on switch & integral hazard warning switch

**\*Engine:** CS10: 250 Six; closed positive crankcase ventilation  
 Gross horsepower . . . . . 155 @ 4200 rpm  
 Net horsepower . . . . . 120 @ 3800 rpm  
 Gross torque, lb-ft. . . . . 235 @ 1600 rpm  
 Net torque, lb-ft. . . . . 210 @ 2000 rpm  
 CE10: 307 V8; closed positive crankcase ventilation  
 Gross horsepower . . . . . 200 @ 4600 rpm  
 Net horsepower . . . . . 150 @ 4000 rpm  
 Gross torque, lb-ft. . . . . 300 @ 2400 rpm  
 Net torque, lb-ft. . . . . 255 @ 2000 rpm  
 \*Rating shown with exhaust emission controls

**Exhaust Emission Control Equipment:** See *Engine & Clutch* section for types used

**Exhaust System:** Single pipe & aluminized muffler

➤ **Filter, Fuel:** Plastic mesh in fuel tank  
 CS10: Paper type in carburetor  
 CE10: Sintered bronze in carburetor

**Filter, Oil:** CS10: full-flow; 1-quart; throwaway type  
 CE10: full-flow; 1-quart; replaceable element type

**Frame:** 39,000-lb-test steel; section modulus 2.98

**Fuel Pump:** Single-action

**Generator:** 37-amp Delcotron

➤ Indicates change

**GVW Plate:** All models except Panel; 5000-lb  
 Panel models; 5400-lb

**Heater & Defroster:** Deluxe-Air

**Lights & Reflectors:**

03 models: Two headlights; two Class A front combination parking/direction signals; two Class A rear combination tail/stop/direction signals; two front side marker reflectors; two backup; one license; instrument panel & dome

04, 05 & 34 models: Same as 03 models plus two rear side marker reflectors

➤ **Mirror, Rearview:** Exterior RH & LH 6¼" fixed arm and inside 10" vinyl-edged prismatic

**Seat:** All models (exc Panel); full-width; vinyl trim  
 Panel (05) models; driver only; vinyl trim

**Seat Belts:** Includes retractors  
 All models (exc Panel); driver and passenger  
 Panel models; driver only

**Shock Absorbers:** Front & rear; piston diameter 1"

**Springs, Front:** Coil; capacity 1250-lb each

**Springs, Rear:** Coil; capacity 1250-lb each

**Steering:** Ball-gear, ratio 24:1; wheel, oval 17½" x 17", 2-spoke

**Tank, Fuel:** 04, 34, 03 models—back of seat in cab; capacity approx 21 gallons

Panel (05) models—inside frame at rear; capacity approx 23.5 gallons

**Tires:** Five tubeless 8.25-15/4PR front, single rear and spare

**Tools:** 2500-lb mechanical jack; wheel wrench

**Transmission:** 3-speed fully synchronized; steering column gearshift; ratios 2.85, 1.68, 1.00, 2.95 (rev)

**Wheels:** Five 15" x 5½"; attachment, 6 studs on 5½" circle; spare carrier under frame; 4 painted hubcaps

**Windshield Wipers & Washer:** Electric; 2-speed wipers

GVW SELECTOR	
GVW Rating (lb)	Chassis Equipment Required for GVW Rating
4400	Standard
4800*	2000-lb ea rear spring
5000♦*	
5400♦ (05 models only)	1350-lb ea front spring 2000-lb ea rear spring

**NOTE:** Be sure to recommend adequate springs and tires for total axle loads. See *Optional Equipment* and *Tire & Wheel Combination* pages.

♦ GVW rating shown on vehicle rating plate; ratings are increased or decreased in accordance with the minimum equipment shown in the chart

\* Rating not available on Panel (05) models

# SERIES K10 (EXCEPT SUBURBAN CARRALLS)

## STANDARD EQUIPMENT

**Air Cleaner:** Oiled-paper element

**Axle, Front:** Hypoid, ratio 3.73; capacity 3300 lb; yoke and trunnion universal joints

**Axle, Rear:** Hypoid semi-floating type; ratio 3.73; capacity 3300 lb

**Battery:** 12-volt, 54-plate; capacity 53-amp-hr

**Bodies:** See *Cabs, Bodies & Colors*

**Brakes, Service:** Hydraulic; self-adjusting; dual system  
 Sizes: front 11" x 2"; rear 11" x 2"  
 Effective area: drum 276 sq in; lining 167 sq in

**Brake, Parking:** Cable to rear wheels; area 83 sq in; foot operated

**Bumper:** Front only, painted

**Carburetor:** KS10: single-barrel downdraft  
 KE10: two-barrel downdraft

**Clutch:** KS10: diameter 10"; area 100 sq in  
 KE10: diameter 11"; area 124 sq in

**Cooling:** KS10: 1 1/4" radiator core, cross-flow type; 446-sq-in area; 13-lb pressure cap  
 KE10: 1 1/4" radiator core, cross-flow type; 480-sq-in area; 13-lb pressure cap

**Controls & Instruments:** Light switch; windshield wiper-washer switch; headlight beam control; speedometer; odometer; fuel gauge. Lights for generator, oil pressure, engine temperature, brake warning, direction signals and high beam indicator. Ignition switch with accessory position

**Direction Signals:** Class A; two front and two rear. Includes freeway lane-change position on switch & integral hazard warning switch

**\*Engine:** KS10: 250 Six; closed positive crankcase ventilation  
 Gross horsepower . . . . . 155 @ 4200 rpm  
 Net horsepower . . . . . 120 @ 3800 rpm  
 Gross torque, lb-ft. . . . . 235 @ 1600 rpm  
 Net torque, lb-ft. . . . . 210 @ 2000 rpm  
 KE10: 307 V8; closed positive crankcase ventilation  
 Gross horsepower . . . . . 200 @ 4600 rpm  
 Net horsepower . . . . . 150 @ 4000 rpm  
 Gross torque, lb-ft. . . . . 300 @ 2400 rpm  
 Net torque, lb-ft. . . . . 255 @ 2000 rpm  
 \*Rating shown with exhaust emission controls

**Exhaust Emission Control Equipment:** See *Engine & Clutch* section for types used

**Exhaust System:** Single pipe & aluminum muffler

➔ **Filter, Fuel:** Plastic mesh in fuel tank  
 KS10: Paper type in carburetor  
 KE10: Sintered bronze in carburetor

**Filter, Oil:** KS10: full-flow; 1-quart; throwaway type  
 KE10: full-flow; 1-quart; replaceable element type

**Frame:** 39,000-lb-test steel; section modulus 2.70 (KS-KE107 models); 3.48 (KS-KE109 models)

**Fuel Filter:** Single action

**Generator:** 37-amp Delcotron

**GVW Plate:** 5600 lb

**Heater & Defroster:** Deluxe-Air

**Lights & Reflectors:**  
 03 models: Two headlights; two Class A front combination parking/direction signals; two Class A rear combination tail/stop/direction signals; two front side marker reflectors; two backup; one license; instrument panel & dome  
 04 & 34 models: Same as 03 models plus two rear side marker reflectors

➔ **Mirror, Rearview:** Exterior RH & LH 6 1/4" fixed arm and inside 10" vinyl-edged prismatic

**Seat:** Full-width, vinyl trim

**Seat Belts:** Driver & passenger; includes retractors

**Shock Absorbers:** Front & rear; piston diameter 1"

**Springs, Front:** Tapered-leaf; capacity 1450 lb each

**Springs, Rear:** Two-stage, combination multi-leaf & tapered-leaf; capacity 1800 lb each

**Steering:** Ball-gear, ratio 24:1, wheel, oval 17 1/2" x 17", 2-spoke

**Tank, Fuel:** Back of seat in cab; capacity approx 21 gallons

**Tires:** Five tubeless 8.25-15/4PR front, single rear and spare

**Tools:** 2500-lb mechanical jack; wheel wrench

➔ **Transfer Case:** Rockwell T-221, 2-speed; ratios 1.94 & 1.00; power take-off opening at rear; single control lever

**Transmission:** 3-speed fully synchronized; steering column gearshift; ratios 3.03, 1.75, 1.00, 3.02 (rev)

**Wheels:** Five 15" x 5 1/2"; attachment, 6 studs on 5 1/2" circle; spare carrier under frame

**Windshield Wipers & Washer:** Electric; 2-speed wipers

### GVW SELECTOR

GVW Rating (lb)	Chassis Equipment Required for GVW Rating
4600	Standard
5300	
5600♦	

♦ GVW rating shown on vehicle rating plate; ratings are increased or decreased in accordance with the minimum equipment shown in the chart

**Note:** Be sure to recommend adequate springs and tires for total axle loads. See *Optional Equipment and Tire & Wheel Combination* pages.

➔ Indicates change

# C10 SERIES—GASOLINE 2-WHEEL DRIVE (4400—5400-lb GVW)

# K10 SERIES—GASOLINE 4-WHEEL DRIVE (4600—5800-lb GVW)

## 1969 MODELS WITH STANDARD EQUIPMENT

Model & Type	Wheel-base	Factory D & H	List Price	Mfr's Sgt'd Dealer NVPC*	Mfr's Sgt'd Retail Price*	Desti-nation Charge & Group Number	Total
<b>6-Cylinder 155-hp High Torque 250 Engine</b>							
CS10703	Chassis-Cab (42" Cab-Axle) . . . . .	115"	\$164.00	\$2082.00	\$40.00	\$2286.00	16
CS10704	Pickup—Stepside (6½ ft) . . . . .	115"	173.00	2184.00	40.00	2397.00	17
CS10734	Pickup—Fleetside (6½ ft) . . . . .	115"	176.00	2219.00	40.00	2435.00	17
CS10903	Chassis-Cab (54" Cab-Axle) . . . . .	127"	167.00	2117.00	40.00	2324.00	16
CS10904	Pickup—Stepside (8 ft) . . . . .	127"	176.00	2219.00	40.00	2435.00	17
CS10905	Panel . . . . .	127"	206.00	2617.00	40.00	2863.00	18
CS10934	Pickup—Fleetside (8 ft) . . . . .	127"	179.00	2254.00	40.00	2473.00	17
KS10703	Chassis-Cab (42" Cab-Axle) . . . . .	115"	210.00	2687.00	40.00	2937.00	21
KS10704	Pickup—Stepside (6½ ft) . . . . .	115"	218.00	2789.00	40.00	3047.00	21
KS10734	Pickup—Fleetside (6½ ft) . . . . .	115"	220.00	2824.00	40.00	3084.00	21
KS10903	Chassis-Cab (54" Cab-Axle) . . . . .	127"	213.00	2722.00	40.00	2975.00	21
KS10904	Pickup—Stepside (8 ft) . . . . .	127"	220.00	2824.00	40.00	3084.00	21
KS10934	Pickup—Fleetside (8 ft) . . . . .	127"	223.00	2859.00	40.00	3122.00	21
<b>8-Cylinder 200-hp High Torque 307 Engine</b>							
CE10703	Chassis-Cab (42" Cab-Axle) . . . . .	115"	171.00	2172.00	40.00	2383.00	16
CE10704	Pickup—Stepside (6½ ft) . . . . .	115"	180.00	2274.00	40.00	2494.00	17
CE10734	Pickup—Fleetside (6½ ft) . . . . .	115"	183.00	2309.00	40.00	2532.00	17
CE10903	Chassis-Cab (54" Cab-Axle) . . . . .	127"	174.00	2207.00	40.00	2421.00	16
CE10904	Pickup—Stepside (8 ft) . . . . .	127"	183.00	2309.00	40.00	2532.00	17
CE10905	Panel . . . . .	127"	213.00	2707.00	40.00	2960.00	18
CE10934	Pickup—Fleetside (8 ft) . . . . .	127"	185.00	2344.00	40.00	2569.00	17
KE10703	Chassis-Cab (42" Cab-Axle) . . . . .	115"	217.00	2777.00	40.00	3034.00	21
KE10704	Pickup—Stepside (6½ ft) . . . . .	115"	225.00	2879.00	40.00	3144.00	21
KE10734	Pickup—Fleetside (6½ ft) . . . . .	115"	227.00	2914.00	40.00	3181.00	21
KE10903	Chassis-Cab (54" Cab-Axle) . . . . .	127"	220.00	2812.00	40.00	3072.00	21
KE10904	Pickup—Stepside (8 ft) . . . . .	127"	227.00	2914.00	40.00	3181.00	21
KE10934	Pickup—Fleetside (8 ft) . . . . .	127"	230.00	2949.00	40.00	3219.00	21

\* Manufacturer's Suggested Dealer New Vehicle Preparation Charge.

\* Manufacturer's Suggested Retail Prices do not include state and local taxes, license fees, options or accessories.

# C-K10 SERIES—GASOLINE

## OPTIONS & ACCESSORIES WHEN INSTALLED BY CHEVROLET

Description	Option Number	Factory D & H	List Price	Mfr's Suggested Retail Delivered Price <sup>◇</sup>
<b>POWER TEAMS &amp; AXLES</b>				
<b>Engine:</b>				
292 Six; includes 11" dia clutch; CS-KS10 models only	L25	\$ 6.85	\$ 90.00	\$ 96.85
350 V8; CE-KE10 models only. Includes 4-barrel carburetor, 3.07 ratio rear axle (C10 only) and 12" clutch	LS9	2.70	35.00	37.70
350 V8, heavy-duty; CE-KE10 models only. Includes 4-barrel carburetor, 3.07 ratio rear axle (C10 only) and 12" clutch	LS8	4.60	60.00	64.60
396 V8; CE10 models only. Not available when Powerglide or Overdrive transmission is ordered. Includes 4-barrel carburetor, dual exhaust, 12" clutch, 3.07 ratio rear axle with standard or Turbo Hydra-matic transmission or 3.54 ratio rear axle with 4-speed transmission	L47	11.40	150.00	161.40
→ Liquid Petroleum Gas Conversion; available on C10 models when 6-cyl or 350 V8 (HD) engine is ordered:				
With 6-cyl engine	L56	5.70	75.00	80.70
With 350 V8 (HD) engine	L56	3.05	40.00	43.05
<b>Transmission:</b>				
Powerglide; C10 models only. Includes HD radiator and 3.07 ratio rear axle with 350 engine. Not available when 396 engine or governor is ordered				
CS10 models	M35	13.30	175.00	188.30
CE10 models	M35	14.10	185.00	199.10
Turbo Hydra-matic. C10 models only. Includes 3.07 ratio rear axle on CE10 models and HD radiator. Not available when governor is ordered				
Without 396 Engine	M49	16.35	215.00	231.35
With 396 Engine	M49	17.10	225.00	242.10
Chevrolet 4-speed. Includes 3.07 ratio rear axle with 307 or 350 engine on C10 models				
Series CS-CE10700				
Without 396 Engine	M20	6.50	85.00	91.50
With 396 Engine; also includes Dana rear axle with 3.54 ratio	M20	11.05	145.00	156.05
Series CS-CE10900 or K10				
Without 396 Engine	M20	6.85	90.00	96.85
With 396 Engine; also includes Dana rear axle with 3.54 ratio	M20	11.40	150.00	161.40
New Process 435CR 4-speed (close-ratio). Includes 3.07 ratio rear axle when 350 engine is ordered				
Series CS-CE10700				
Without 396 Engine	M28	8.75	115.00	123.75
With 396 Engine; also includes Dana rear axle with 3.54 ratio	M28	13.30	175.00	188.30
Series CS-CE10900				
Without 396 Engine	M28	9.15	120.00	129.15
With 396 Engine; also includes Dana rear axle with 3.54 ratio	M28	13.70	180.00	193.70
Overdrive; C10 models only. Includes 4.11 ratio rear axle. Not available when governor equipment or 350 or 396 engine is ordered	M10	8.75	115.00	123.75
<b>Axle, Rear: C10 models only</b>				
Ratio 3.07; included when Turbo Hydra-matic or Chevrolet 4-speed transmission is ordered with 307 engine or when 3-speed or Turbo Hydra-matic is ordered with 396 engine. Also included when 350 engine is ordered				
With 3-speed transmission	H01	.50	6.50	7.00
With 4-speed or Turbo Hydra-matic transmission	H01	1.40	18.00	19.40
Ratio 3.73; available only when 350 engine is ordered or when Turbo Hydra-matic or Chevrolet 4-speed transmission is ordered with 307 engine	H05	.20	2.00	2.20
Ratio 4.11; included when overdrive transmission is ordered. Not available when 396 engine is ordered	H04	.65	8.00	8.65
Positraction; not available when 396 engine with 4-speed transmission is ordered	G80	4.60	60.00	64.60
Maximum Traction; with 396 engine and 4-speed transmission only	G87	9.50	125.00	134.50
<b>OTHER OPTIONS</b>				
Air Cleaner: Oil-bath; capacity 1 quart. Not available on CE10 models when 396 engine or automatic transmission is ordered	K48	.80	10.00	10.80
Air Cleaner, Heavy-Duty: Includes oil-bath pre-cleaner. Not available on CE10 models when 396 engine or automatic transmission is ordered or CS10 models when power steering is specified with 292 engine	K46	4.20	55.00	59.20
Air Conditioning, All-Weather: Chassis-Cab and Pickup models only. Includes HD radiator and 42-amp generator	C60	27.75	365.00	392.75
<b>Battery:</b>				
Auxiliary; Chassis-Cab and Pickup models with camper nameplate. Not available when HD air cleaner is ordered	TP2	3.05	40.00	43.05
Heavy-duty; 66-plate, 70-amp-hr. Included when HD starting motor is ordered	T60	.55	7.00	7.55

◇ State and local taxes not included.

→ Indicates change



# C-K10 SERIES—GASOLINE

## OPTIONS & ACCESSORIES WHEN INSTALLED BY CHEVROLET

Description	Option Number	Factory D & H	List Price	Mfr's Suggested Retail Delivered Price <sup>◇</sup>
<b>Belts, Seat:</b> Installed for third passenger. Not available on Panel models or when bucket seats are ordered.	AM3	\$ .50	\$ 6.00	\$ 6.50
<b>Belts, Shoulder:</b>				
Driver & Passenger; requires auxiliary seat on Panel models.	A85	1.90	25.00	26.90
Driver only; for Panel models without auxiliary seat.	A85	.95	12.50	13.45
→ <b>Brackets, Mounting:</b> For mounting pickup box on C10 Chassis-Cab models only. Not available when HD cross sill support is ordered.	E80	.65	8.00	8.65
→ <b>Brakes:</b> Vacuum Power				
Chassis-Cab & Pickup models	J70	3.20	42.00	45.20
Panel models; includes 11" x 2.75" front brake	J70	5.50	72.00	77.50
<b>Bumper:</b>				
<i>Painted:</i>				
Rear; Pickup models with std painted front bumper only.	V38	1.70	22.00	23.70
Rear step; Pickup models only.	V43	3.45	45.00	48.45
<i>Chromed:</i>				
Front and rear;				
Pickup models only; not available when Custom Sport Truck option is ordered.	V37	3.65	48.00	51.65
Panel models.	V37	2.00	26.00	28.00
Front; Chassis-Cab & Pickup models only. Included when Custom Sport Truck option is ordered. Not available when painted rear bumper is ordered	V46	1.00	13.00	14.00
Rear; Pickup models with Custom Sport Truck option only.	VF1	2.70	35.00	37.70
	P03	.80	10.00	10.80
<b>Caps, Hub:</b> Chromed; C10 models only.				
<b>Carpeting, Floor:</b> Not available on Panel models. Included when Custom Sport Truck or bucket seats are ordered.	B30	1.90	25.00	26.90
<b>Carrier, Spare Wheel:</b> Side mounted				
Fleetside Pickups.	P13	1.00	13.00	14.00
Stepside Pickups;				
Without chromed hub caps or wheel covers.	P13	1.15	15.00	16.15
With chromed hub caps.	P13	1.35	17.50	18.85
With wheel covers.	P13	1.60	21.00	22.60
<b>Clutch:</b> HD; diameter 11"; available on 250 engine with 3-speed or New Process 4-speed transmission only. Included when Chevrolet 4-speed transmission or 292 engine is ordered.	M01	.45	5.50	5.95
<b>Cooling:</b> Not available when air conditioning is ordered.				
HD radiator only; included when automatic transmission is ordered.	VO1	1.55	20.00	21.55
HD radiator and extra-HD cooling equipment; not available on Panel models.	VO5	3.30	43.00	46.30
<b>Custom Camper Nameplate:</b> Requires 7.00-15/6PR tube-type or 8.00-16.5/6PR tubeless tires				
C10 Pickup models only:				
With standard suspension; requires HD rear shock absorbers, front stabilizer and HD rear springs or auxiliary rear springs.	Z81	N.C.	N.C.	N.C.
With optional rear leaf suspension; requires front stabilizer, HD front shock absorbers and HD rear springs.	Z81	N.C.	N.C.	N.C.
K10 models: Requires HD rear shock absorbers.	Z81	N.C.	N.C.	N.C.
→ <b>Custom Comfort and Appearance:</b> Includes bright metal rear window molding (except Panels); vent window and windshield moldings; cigar lighter; control knob trim; custom emblems; color-keyed floor mat and special insulation. Not available when Custom Sport Truck option is ordered				
Panel models.	Z62	2.40	31.50	33.90
Cab & Pickup models: Also includes door trim panels and full-depth foam seat with fabric upholstery. Not available when bucket seats are ordered.	Z62	6.40	84.00	90.40
<b>Custom Molding:</b>				
Belt molding; Panel models only. Includes bright fuel filler cap.	BX1	2.30	30.00	32.30
Lower fender, door, cab panel moldings and bright fuel filler cap. Included when Custom Sport Truck is ordered.				
Fleetside Pickups; also includes pickup box moldings				
With upper molding (RPO B85).	BX2	2.70	35.00	37.70
Without upper molding (RPO B85).	BX2	3.05	40.00	43.05
Panel models.	BX2	2.70	35.00	37.70
Upper fender, door, cab panel and pickup box moldings, bright tail light trim and fuel filler cap. Fleetside Pickup models only				
With Custom Sport Truck.	B85	2.70	35.00	37.70
Without Custom Sport Truck.	B85	3.05	40.00	43.05
→ <b>Custom Sport Truck:</b> For Chassis-Cab and Pickup models only. Includes full-depth foam seat with deluxe vinyl trim; carpeting; chromed front bumper; CST emblems; door trim panels; cigar lighter; headliner; bright side marker reflectors; cargo area lamp; bright control knob and pedal trim; rear window, vent window, and windshield moldings and special insulation				
Chassis-Cab and Fleetside Pickups.	Z84	14.45	190.00	204.45
Fleetside Pickups; also includes body side lower molding; special simulated wood-grained paneling on tailgate; and bright fuel filler cap.	Z84	17.50	230.00	247.50

◇ State and local taxes not included.

→ Indicates change

# C-K10 SERIES—GASOLINE

## OPTIONS AND ACCESSORIES WHEN INSTALLED BY CHEVROLET

Description	Option Number	Factory D & H	List Price	Mfr's Suggested Retail Delivered Price <sup>◇</sup>
<b>Filter, Fuel</b> .....	K28	\$ .60	\$ 7.50	\$ 8.10
<b>Floor, Pickup Box:</b> Wood with steel skid strips. Fleetside Pickup models only	E81	.80	10.00	10.80
<b>Gauges:</b>				
Ammeter, engine temperature & oil pressure .....	Z53	.80	10.00	10.80
Tachometer, ammeter, engine temperature and oil pressure .....	U16	3.75	49.00	52.75
<b>Generator, Alternating Current:</b>				
42-amp Delcotron; included when air conditioning is ordered .....	K79	1.55	20.00	21.55
61-amp Delcotron .....	K76	2.15	28.00	30.15
62-amp Delcotron .....	K81	6.35	83.00	89.35
<b>Glass, Soft-Ray:</b> All windows .....	A11	1.15	15.00	16.15
Windshield only .....	AA2	1.10	14.00	15.10
<b>Governor:</b> Not available when automatic or overdrive transmission is ordered. Includes manual choke.				
For 250 engine—1800-3000 rpm (low rpm setting) .....	K37	1.30	17.00	18.30
—2800-4000 rpm (high rpm setting) .....	K38	1.30	17.00	18.30
For 292 engine—2100-3000 rpm (low rpm setting) .....	K37	1.30	17.00	18.30
—2800-3900 rpm (high rpm setting) .....	K38	1.30	17.00	18.30
For 307 engine—2300-3100 rpm (low rpm setting) .....	K37	1.30	17.00	18.30
—2800-4100 rpm (high rpm setting) .....	K38	1.30	17.00	18.30
<b>Guards:</b> Door edge .....	B93	.30	3.30	3.60
<b>Harness, Camper Body Wiring:</b> For camper body installation on Pickup models only .....	UY1	1.15	15.00	16.15
<b>Heater, Engine Block</b> .....	K05	.80	10.00	10.80
<b>Hooks, Towing:</b> Two, front. Not available with chrome bumper .....	V76	1.25	16.00	17.25
<b>Hubs, Free-Wheeling:</b> K10 models only. Manual control at hubs .....	F76	5.55	73.00	78.55
<b>Lamps:</b>				
→ Cargo area; Chassis-Cab and Pickup models only. Included when Custom Sport Truck is ordered .....	UF2	1.30	17.00	18.30
Roof marker; five .....	U01	1.90	25.00	26.90
→ Side marker;				
Front and rear; Pickup and Panel models only .....	UB3	.80	10.00	10.80
Front only; Chassis-Cab models only .....	UB3	.50	6.00	6.50
<b>Lock:</b> For side wheel carrier (Pickups) .....	A97	.50	6.00	6.50
<b>Mirrors, Exterior:</b> Replaces standard RH & LH mirrors				
Below-Eye-Line Type				
7.5" x 10.5" painted .....	D29	1.45	18.50	19.95
7.5" x 10.5" stainless steel .....	DG4	2.40	31.00	33.40
West Coast type (Sr—7" x 16") .....	DG5	2.40	31.00	33.40
17/4" swinging arm .....	DH3	.50	6.00	6.50
<b>Paint, Exterior:</b> See Color & Trim chart				
Solid colors .....		N.C.	N.C.	N.C.
Conventional two-tone; with white secondary color				
Chassis-Cab and Pickup models .....		1.25	16.00	17.25
Panel models .....		2.10	27.00	29.10
Special Two-tone; with white upper and lower secondary colors. Available only on Fleetside Pickups when custom lower side moldings or Custom Sport Truck are ordered .....		2.75	36.00	38.75
<b>Plate:</b> Serial Number (State of Pennsylvania); HD rear springs required on C10 models .....	Z55	N.C.	N.C.	N.C.
<b>Power Outlet Box:</b> 6-circuit outlet; not available on Panel models .....	U98	2.30	30.00	32.30
<b>Radio:</b> Pushbutton control .....	U63	4.45	58.00	62.45
→ <b>Seat:</b>				
For Pickup & Chassis-Cab models				
Bucket; driver & passenger, includes carpeting and console; not available when Custom Comfort and Appearance is ordered				
With Custom Sport Truck .....	A50	8.00	105.00	113.00
Without Custom Sport Truck .....	A50	9.90	130.00	139.90
Full-depth foam; not available when Custom Comfort and Appearance or Custom Sport Truck option is ordered .....	Z52	1.70	22.00	23.70
For Panel models				
Auxiliary; one-passenger. Includes RH armrest, RH sunshade and seat belt. Not available when heavy-duty driver seat is ordered				
Not used with Custom Comfort and Appearance .....	A57	5.05	66.00	71.05
Used with Custom Comfort and Appearance .....	A57	5.40	71.00	76.40
Heavy-duty;				
Driver only .....	AM2	.80	10.50	11.30
Driver and one-passenger auxiliary. Includes RH armrest, RH sunshade and seat belt .....	AN4	6.05	79.00	85.05

◇ State and local taxes not included.

→ Indicates change

# C-K10 SERIES—GASOLINE

## OPTIONS AND ACCESSORIES WHEN INSTALLED BY CHEVROLET

Description	Option Number	Factory D & H	List Price	Mfr's Suggested Retail Delivered Price <sup>⊕</sup>
<b>Shock Absorbers: Heavy-duty</b>				
Front and rear; not available when rear leaf suspension is ordered.....	F51	\$ 1.15	\$15.00	\$16.15
Front; available only when rear leaf suspension is ordered.....	F52	.60	7.50	8.10
Rear only; included when rear leaf suspension is ordered.....	G68	.65	8.00	8.65
<b>Speed &amp; Cruise Control: Not available on K10 models or when 396 engine, HD air cleaner or manual throttle control is ordered.....</b>				
	K30	4.00	52.00	56.00
<b>Speed Warning Indicator.....</b>				
	U15	.95	12.00	12.95
<b>Springs:</b>				
<i>Front:</i>				
C10 models. Capacity 1350-lb each.....	F60	.40	5.00	5.40
K10 models. Capacity 1750-lb each.....	F60	2.30	30.00	32.30
<i>Rear:</i>				
Coil; capacity 2000-lb each. C10 models only. Available only when HD front springs are ordered on Panel models.....	G50	.50	6.50	7.00
Leaf; capacity 1750-lb each two-stage. C10 models with leaf-type suspension only.....	G50	.50	6.50	7.00
<i>Auxiliary Rear:</i>				
Capacity 500-lb. each C10 models only. Not available when rear leaf suspension is ordered.....	G60	1.90	25.00	26.90
<b>Stabilizer, Front: C10 models only.....</b>				
	F59	1.15	15.00	16.15
<b>Starting Motor, Heavy-Duty: Includes HD battery. Not available when Turbo Hydra-Matic transmission is ordered</b>				
Manual transmission.....	K67	1.55	20.00	21.55
Powerglide transmission.....	K67	2.10	27.00	29.10
<b>Steering, Power:</b>				
C10 models only.....	N40	8.00	105.00	113.00
K10 models only.....	N40	9.50	125.00	134.50
<b>Stripes, Body Side Paint: Not available on Panel models</b>				
Chassis-Cab and Stepside Pickup models.....	D89	.60	7.50	8.10
Fleetside Pickup models.....	D89	.85	11.00	11.85
<b>Support, HD Cross Sill: O3 models only.....</b>				
	F19	1.15	15.00	16.15
<b>Suspension, Rear Leaf: C10 Chassis-Cab and Pickup models only. Includes 1250-lb capacity each two-stage leaf rear springs and HD rear shock absorbers.....</b>				
	G70	1.90	25.00	26.90
<b>Switch: Door Jamb; not available when Custom Sport Truck is ordered....</b>				
	C80	.35	4.00	4.35
<b>Throttle Control: Manual.....</b>				
	K31	.65	8.00	8.65
<b>Tires and Wheels: See Tire &amp; Wheel section</b>				
<b>Wheel Covers: Bright metal; C10 models with 7.75-15 or 8.25-15 tires only</b>				
	P01	1.65	21.50	23.15

⊕ State and local taxes not included.

# C10 SERIES

## TUBE-TYPE TIRES (Factory Installed)

Tire Size and Type		Rim Width Included In Tire Option	Option Number	Factory D & H	List Price	Mfr's Suggested Retail Delivered Price <sup>⊕</sup>
All tires have black sidewalls except as indicated.						
●7.75-15/8PR—Highway Original Equipment	(5) Front, rear, spare	5½	QA4	\$ 3.80	\$ 27.00	\$ 30.80
8.25-15/4PR—Highway Original Equipment	(5) Front, rear, spare	5½	RL2	N.C.	3.00	3.00
	(2) Front	5½	RL2	N.C.	1.20	1.20
	(3) Front, spare	5½	RL2	N.C.	1.80	1.80
	(5) Front, rear, spare	5½	RS3	1.25	15.00	16.25
	(2) Front	5½	RS3	.50	6.00	6.50
	(3) Front, spare	5½	RS3	.75	9.00	9.75
—Highway Nylon	(2) Rear	5½	RS6	.80	7.20	8.00
	(3) Rear, spare	5½	RS6	1.20	10.80	12.00
6.50-16/6PR—Highway Original Equipment (Pass type)	(5) Front, rear, spare	5.00	R61	5.75	47.00	52.75
	(2) Front	5.00	R61	2.30	18.80	21.10
	(3) Front, spare	5.00	R61	3.45	28.20	31.65
—On-Off-Road Original Equipment	(2) Rear	5.00	R69	2.80	24.80	27.60
	(3) Rear, spare	5.00	R69	4.20	37.20	41.40
<b>6.50-16/6PR Maximum Tire Capacity—Front (1610) Rear (1610)</b>						
(Truck type) —Highway Nylon	(5) Front, rear, spare	5.00	R65	8.00	87.00	95.00
	(2) Front	5.00	R65	3.20	34.80	38.00
	(3) Front, spare	5.00	R65	4.80	52.20	57.00
—On-Off-Road Nylon	(2) Rear	5.00	R64	4.70	54.80	59.50
	(3) Rear, spare	5.00	R64	7.05	82.20	89.25
<b>7.00-15/6PR Maximum Tire Capacity—Front (1720) Rear (1720)</b>						
—Highway Nylon	(5) Front, rear, spare	5.50	R44	11.75	121.00	132.75
	(2) Front	5.50	R44	4.70	48.40	53.10
	(3) Front, spare	5.50	R44	7.05	72.60	79.65
—On-Off-Road Nylon	(2) Rear	5.50	R43	6.40	68.40	74.80
	(3) Rear, spare	5.50	R43	9.60	102.60	112.20

## TUBELESS TIRES (Factory Installed)

●7.75-15/8PR—Highway Original Equipment	(5) Front, rear, spare	5½	QA2	3.90	27.00	30.90
	(5) Front, rear, spare (Whitewall)	5½	QA3	6.50	68.00	74.50
8.25-15/4PR—Highway Original Equipment	(5) Front, rear, spare	5½	Std	N.C.	N.C.	N.C.
	(5) Front, rear, spare (Whitewall)	5½	RS1	2.15	34.00	36.15
	(5) Front, rear, spare	5½	Q05	1.75	15.00	16.75
	(2) Front	5½	Q05	.70	6.00	6.70
	(3) Front, spare	5½	Q05	1.05	9.00	10.05
	(2) Rear	5½	R55	.90	6.00	6.90
—On-Off-Road Original Equipment	(3) Rear, spare	5½	R55	1.35	9.00	10.35
	(5) Front, rear, spare	5½	QA5	4.75	30.00	34.75
●8.25-15/8PR—Highway Original Equipment	(2) Front	5½	QA5	1.90	12.00	13.90
	(3) Front, spare	5½	QA5	2.85	18.00	20.85
	(5) Front, rear, spare (Whitewall)	5½	QA6	6.70	64.00	70.70
—On-Off-Road Original Equipment	(2) Rear	5½	QB4	2.30	18.00	20.30
	(3) Rear, spare	5½	QB4	3.45	27.00	30.45
6.50-16/6PR—Highway Original Equipment (Pass type)	(5) Front, rear, spare	5.00	R59	5.25	47.00	52.25
<b>6.50-16/6PR Maximum Tire Capacity—Front (1610) Rear (1610)</b>						
(Truck type) —Highway Nylon	(5) Front, rear, spare	5.00	R60	8.35	87.00	95.35

## WIDE BASE TUBELESS TIRES (Factory Installed)

<b>8.00-16.5/6PR Maximum Tire Capacity—Front (1730) Rear (1730)</b>						
—Highway Nylon	(5) Front, rear, spare	6.00	R70	16.00	162.50	178.50
	(2) Front	6.00	R70	6.40	65.00	71.40
	(3) Front, spare	6.00	R70	9.60	97.50	107.10
—On-Off-Road Nylon	(2) Rear	6.00	RQ2	7.40	83.00	90.40
	(3) Rear, spare	6.00	RQ2	11.10	124.50	135.60

⊕ State and local taxes not included. ★ 2-ply construction; 4-ply rating. ● 4-ply construction; 8-ply rating.

**TUBE-TYPE TIRES (Factory Installed)**

Tire Size and Type All tires have black sidewalls except as indicated.		Rim Width Included In Tire Option	Option Number	Factory D & H	List Price	Mfr's Suggested Retail Delivered Price $\diamond$
●7.75-15/8PR—Highway Original Equipment	(5) Front, rear, spare	5½	QA4	\$ 3.80	\$ 27.00	\$ 30.80
8.25-15/4PR—Highway *Original Equipment	(5) Front, rear, spare	5½	RL2	N.C.	3.00	3.00
—Highway Nylon	(5) Front, rear, spare	5½	R53	1.25	15.00	16.25
—On-Off-Road Original Equipment	(5) Front, rear, spare	5½	R56	2.00	18.00	20.00
6.50-16/6PR—Highway Original Equipment (Pass type)	(5) Front, rear, spare	5.00	R61	5.75	47.00	52.75
—On-Off-Road Original Equipment	(5) Front, rear, spare	5.00	R69	7.00	62.00	69.00
6.50-16/6PR Maximum Tire Capacity—Front (1610) Rear (1610) (Truck type)	—Highway Nylon (5) Front, rear, spare	5.00	R65	8.00	87.00	95.00
—On-Off-Road Nylon	(5) Front, rear, spare	5.00	R64	11.75	137.00	148.75
7.00-15/6PR Maximum Tire Capacity—Front (1720) Rear (1720)	—Highway Nylon (5) Front, rear, spare	5.50	R44	11.75	121.00	132.75
—On-Off-Road Nylon	(5) Front, rear, spare	5.50	R43	16.00	171.00	187.00

**TUBELESS TIRES (Factory Installed)**

●7.75-15/8PR—Highway Original Equipment	(5) Front, rear, spare	5½	QA2	3.90	27.00	30.90
	(5) Front, rear, spare (Whitewall)	5½	QA3	6.50	68.00	74.50
8.25-15/4PR—Highway *Original Equipment	(5) Front, rear, spare	5½	Std	N.C.	N.C.	N.C.
	(5) Front, rear, spare (Whitewall)	5½	R51	2.15	34.00	36.15
—Highway Nylon	(5) Front, rear, spare	5½	Q05	1.75	15.00	16.75
—On-Off-Road Original Equipment	(5) Front, rear, spare	5½	R55	2.25	15.00	17.25
●8.25-15/8PR—Highway Original Equipment	(5) Front, rear, spare	5½	QA5	4.75	30.00	34.75
	(5) Front, rear, spare (Whitewall)	5½	QA6	6.70	64.00	70.70
—On-Off-Road Original Equipment	(5) Front, rear, spare	5½	QB4	5.75	45.00	50.75
6.50-16/6PR—Highway Original Equipment (Pass type)	(5) Front, rear, spare	5.00	R59	5.25	47.00	52.25
6.50-16/6PR Maximum Tire Capacity—Front (1610) Rear (1610) (Truck type)	—Highway Nylon (5) Front, rear, spare	5.00	R60	8.35	87.00	95.35

**WIDE BASE TUBELESS TIRES (Factory Installed)**

8.00-16.5/6PR Maximum Tire Capacity—Front (1730) Rear (1730)	—Highway Nylon (5) Front, rear, spare	6.00	R70	16.00	162.50	178.50
—On-Off-Road Nylon	(5) Front, rear, spare	6.00	RQ2	18.50	207.50	226.00

$\diamond$  State and local taxes not included.

\* 2-ply construction; 4-ply rating.

● 4-ply construction; 8-ply rating.

---

# NOTES

# SERIES C10 & K10 SUBURBAN CARRYALLS

SERIES C10 GVW Ratings up to 5400 lb

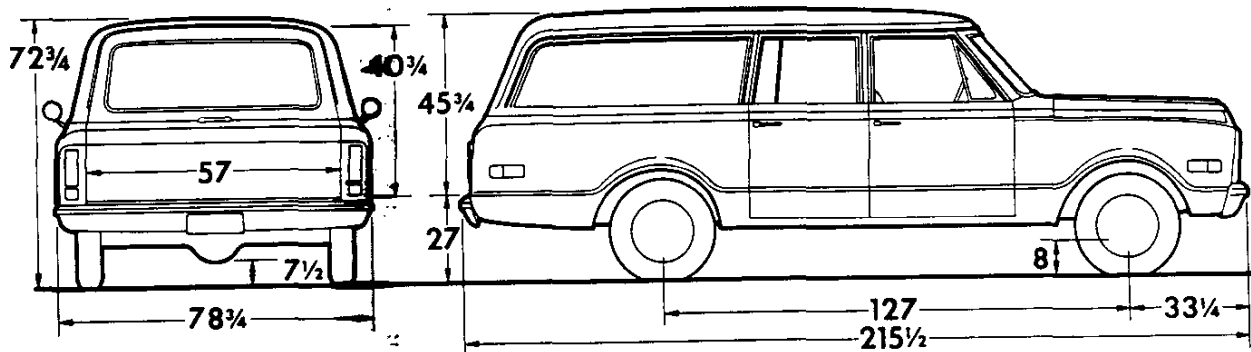
## SERIES C10—SUBURBAN CARRYALLS\*

### Six-Cylinder Models

**CS10906** Suburban Carryall  
**CS10916** Suburban Carryall

### V8 Models

**CE10906** Suburban Carryall  
**CE10916** Suburban Carryall



Models	Dimensions (in)★		Curb Weights (lb)		
	WB	OL	Front	Rear	Total
<b>CS10906</b> <b>CE10906</b>	127	215 1/2	1904 2003	1927 1944	3831 3947
<b>CS10916</b> <b>CE10916</b>	127	215 1/2	1889 1986	1912 1929	3801 3915

★Dimensions with std equipment, unloaded.

SERIES K10 GVW Ratings up to 5800 lb

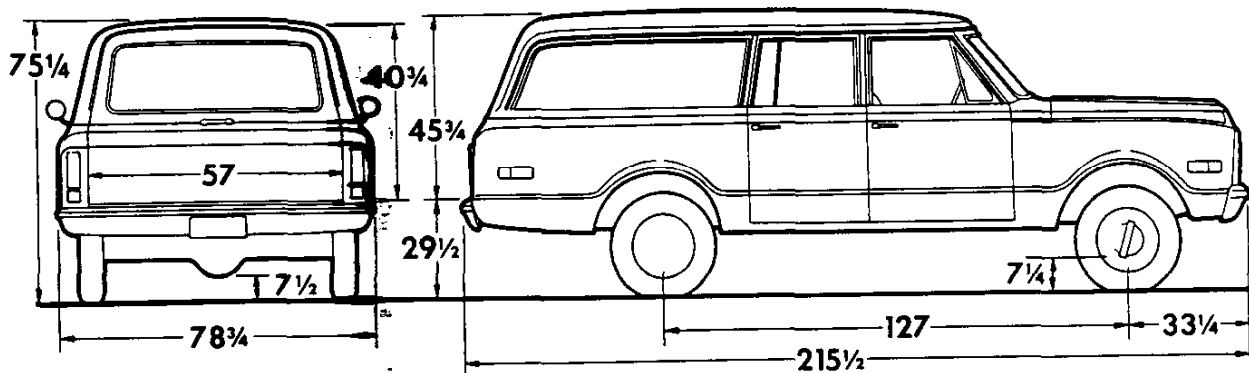
## SERIES K10—SUBURBAN CARRYALLS\*

### Six-Cylinder Models

**KS10906** Suburban Carryall  
**KS10916** Suburban Carryall

### V8 Models

**KE10906** Suburban Carryall  
**KE10916** Suburban Carryall



Models	Dimensions (in)★		Curb Weights (lb)		
	WB	OL	Front	Rear	Total
<b>KS10906</b> <b>KE10906</b>	127	215 1/2	2141 2259	2066 2092	4207 4351
<b>KS10916</b> <b>KE10916</b>	127	215 1/2	2125 2244	2052 2078	4177 4322

★ Dimensions with std equipment, unloaded.

● Illustration shows 16 model rear end/lift gate.

# SERIES C10 SUBURBAN CARRYALLS

## STANDARD EQUIPMENT

- Air Cleaner:** Oiled-paper element
- Axle, Front:** Independent; capacity 2500 lb
- Axle, Rear:** Hypoid semi-floating type; ratio 3.73; capacity 3500 lb
- Battery:** 12-volt, 54-plate; capacity 53 amp-hr
- Bodies:** See *Cabs, Bodies & Colors*
- Brakes, Service:** Hydraulic; self-adjusting; dual system  
 Sizes: front 11" x 2"; rear 11" x 2"  
 Effective area: drum 276 sq in; lining 167 sq in
- Brake, Parking:** Cable to rear wheels; area 83 sq in; foot operated
- Bumpers:** Front & rear; painted
- Carburetor:** CS10: single-barrel downdraft  
 CE10: two-barrel downdraft
- Clutch:** CS10: diameter 10"; area 100 sq in  
 CE10: diameter 11"; area 124 sq in
- Cooling:** CS10: 1¼" radiator core, cross-flow type; 446-sq-in area; 13-lb pressure cap  
 CE10: 1¼" radiator core, cross-flow type; 480-sq-in area; 13-lb pressure cap
- Controls & Instruments:** Light switch; windshield wiper-washer switch; headlight beam control; speedometer; odometer; fuel gauge. Lights for generator, oil pressure, engine temperature, brake warning, direction signals and high beam indicator. Ignition switch with accessory position
- Direction Signals:** Class A; two front and two rear. Includes freeway lane-change position on switch & integral hazard warning switch
- Doors, Rear:**  
 06 models: Two; side-hinged  
 16 models: End/lift gate
- Doors, Side:** Three; two right & one left
- \* **Engine:** CS10: 250 Six; closed positive crankcase ventilation  
 Gross horsepower..... 155 @ 4200 rpm  
 Net horsepower..... 120 @ 3800 rpm  
 Gross torque, lb-ft..... 235 @ 1600 rpm  
 Net torque, lb-ft..... 210 @ 2000 rpm  
 CE10: 307 V8; closed positive crankcase ventilation  
 Gross horsepower..... 200 @ 4600 rpm  
 Net horsepower..... 150 @ 4000 rpm  
 Gross torque, lb-ft..... 300 @ 2400 rpm  
 Net torque, lb-ft..... 255 @ 2000 rpm
- \*Rating shown with exhaust emission controls
- Exhaust Emission Control Equipment:** See *Engine & Clutch* section for types used
- Exhaust System:** Single pipe & aluminized muffler
- ➔ **Filter, Fuel:** Plastic mesh in fuel tank  
 CS10: Paper type in carburetor  
 CE10: Sintered bronze in carburetor
- Filter, Oil:** CS10: full-flow; 1-quart; throwaway type  
 CE10: full-flow; 1-quart; replaceable element
- Frame:** 39,000-lb-test steel; section modulus 2.98
- Fuel Pump:** Single action
- Generator:** 37-amp Delcotron
- GVW Plate:** 5400 lb
- Heater & Defroster:** Deluxe-Air
- Lights & Reflectors:** Two headlights; two Class A front combination parking/direction signals; two Class A rear combination tail/stop/direction signals; two front & two rear side marker reflectors; two backup; one license; instrument panel & dome
- Mirror, Rearview:** Exterior RH & LH 6¼" fixed arm and inside prismatic non-glare shatterproof
- Seat:** Full-width bench; front only; vinyl trim
- Seat Belts:** Includes retractors, driver & passenger
- Shock Absorbers:** Front & rear; piston diameter 1"
- Springs, Front:** Coil; capacity 1250 lb each
- Springs, Rear:** Coil; capacity 1250 lb each
- Steering:** Ball-gear; ratio 24:1; wheel, oval 17½" x 17", 2-spoke
- Tank, Fuel:** Inside frame at rear; capacity approximately 23.5 gal
- Tires:** Five tubeless 8.25-15/4PR front, single rear and spare
- Tools:** 2500-lb mechanical jack; wheel wrench
- Transmission:** 3-speed fully synchronized; steering column gearshift; ratios 2.85, 1.68, 1.00, 2.95 (rev)
- Wheels:** Five 15" x 5½"; attachment 6 studs on 5½" circle; spare carrier inside RH cargo area; four painted hubcaps
- Windshield Wipers & Washer:** Electric; 2-speed wipers

### GVW SELECTOR

GVW Rating (lb)	Chassis Equipment Required for GVW Rating
4400	Standard
5400 ♦	1350-lb ea front spring 2000-lb ea rear spring

♦ GVW rating shown on vehicle rating plate; ratings are increased or decreased in accordance with the minimum equipment shown in the chart

**Note:** Be sure to recommend adequate springs and tires for total axle loads. See *Optional Equipment and Tire & Wheel Combination* pages.

➔ Indicates change



# SERIES K10 SUBURBAN CARRYALLS

## STANDARD EQUIPMENT

**Air Cleaner:** Oiled-paper element

**Axle, Front:** Hypoid, ratio 3.73; capacity 3300 lb; yoke and trunnion universal joints

**Axle, Rear:** Hypoid semi-floating type; ratio 3.73; capacity 3300 lb

**Battery:** 12-volt, 54-plate; capacity 53 amp-hr

**Bodies:** See *Cabs, Bodies & Colors*

**Brakes, Service:** Hydraulic; self-adjusting; dual system

Sizes: front 11" x 2"; rear 11" x 2"

Effective area: drum 276 sq in; lining 167 sq in

**Brake, Parking:** Cable to rear wheels; area 83 sq in; foot operated

**Bumpers:** Front & rear, painted

**Carburetor:** KS10: single-barrel downdraft  
KE10: two-barrel downdraft

**Clutch:** KS10: diameter 10"; area 100 sq in  
KE10: diameter 11"; area 124 sq in

**Cooling:** KS10: 1¼" radiator core, cross-flow type; 446-sq-in area; 13-lb pressure cap  
KE10: 1¼" radiator core, cross-flow type; 480-sq-in area; 13-lb pressure cap

**Controls & Instruments:** Windshield wiper-washer switch; light switch; headlight beam control; speedometer; odometer; fuel gauge. Lights for generator, oil pressure, engine temperature, brake warning, direction signals and high beam indicator. Ignition switch with accessory position

**Direction Signals:** Class A; two front and two rear. Includes freeway lane-change position on switch & integral hazard warning switch

**Doors, Rear:**

06 models: Two; side-hinged

16 models: End/lift gate

**Doors, Side:** Three; two right & one left

\* **Engine:** KS10: 250 Six; closed positive crankcase ventilation

Gross horsepower..... 155 @ 4200 rpm

Net horsepower..... 120 @ 3800 rpm

Gross torque, lb-ft..... 235 @ 1600 rpm

Net torque, lb-ft..... 210 @ 2000 rpm

KE10: 307 V8; closed positive crankcase ventilation

Gross horsepower..... 200 @ 4600 rpm

Net horsepower..... 150 @ 4000 rpm

Gross torque, lb-ft..... 300 @ 2400 rpm

Net torque, lb-ft..... 255 @ 2000 rpm

\*Rating shown with exhaust emission controls

**Exhaust Emission Control Equipment:** See *Engine & Clutch* section for types used

**Exhaust System:** Single pipe & aluminized muffler

**Filter, Fuel:** Plastic mesh in fuel tank

KS10: Paper type in carburetor

KE10: Sintered bronze in carburetor

**Filter, Oil:** KS10: full-flow; 1-quart; throwaway type

KE10: full-flow; 1-quart; replaceable element

**Frame:** 39,000-lb-test steel; section modulus 3.48

**Fuel Pump:** Single action

**Generator:** 37-amp Delcotron

**GVW Plate:** 5800 lb

**Heater & Defroster:** Deluxe-Air

**Lights & Reflectors:** Two headlights; two Class A front combination parking/direction signals; two Class A rear combination tail/stop/direction signals; two front & two rear side marker reflectors; two backup; one license; instrument panel & dome

**Mirror, Rearview:** Exterior RH & LH 6¼" fixed arm and inside prismatic non-glare shatterproof

**Seat:** Full-width bench; front only; vinyl trim

**Seat Belts:** Driver & passenger. Includes retractors

**Shock Absorbers:** Front & rear; piston diameter 1"

**Springs, Front:** Tapered-leaf; capacity 1450 lb each

**Springs, Rear:** Two-stage, combination multi-leaf & tapered-leaf; capacity 1800 lb each

**Steering:** Ball-gear, ratio 24:1; wheel, oval 17½" x 17", 2-spoke

**Tank, Fuel:** Inside frame at rear; capacity approx 23.5 gal

**Tires:** Five tubeless 8.25-15/4PR front, single rear and spare

**Tools:** 2500-lb mechanical jack; wheel wrench

**Transfer Case:** Rockwell T-221, 2-speed; ratios 1.94 and 1.00; power take-off opening at rear, single control lever

**Transmission:** 3-speed fully synchronized; steering column gearshift; ratios 3.03, 1.75, 1.00, 3.02 (rev)

**Wheels:** Five 15" x 5½"; attachment, 6 studs on 5½" circle; spare carrier inside RH cargo area

**Windshield Wipers & Washer:** Electric; 2-speed wipers

### GVW SELECTOR

GVW Rating (lb)	Chassis Equipment Required for GVW Rating
4600	Standard
5800 ♦	

♦ GVW rating shown on vehicle rating plate; ratings are increased or decreased in accordance with the minimum equipment shown in the chart

**Note:** Be sure to recommend adequate springs and tires for total axle loads. See *Optional Equipment and Tire & Wheel Combination* pages.

→ Indicates change

# SERIES C10—2-WHEEL-DRIVE SUBURBAN CARRYALLS SERIES K10—4-WHEEL-DRIVE SUBURBAN CARRYALLS

## 1969 MODELS WITH STANDARD EQUIPMENT

Model Description	Wheel-base	Factory D & H	List Price	Mfr's Sg't'd Dealer NVPC*	Mfr's Sg't'd Retail Price*	Destination Charge & Group Number	Total
<b>6-Cylinder 155-hp High Torque 250 Engine</b>							
CS10906 Suburban Carryall (Panel Doors).....	127"	\$161.00	\$2898.00	\$40.00	\$3099.00	20	
KS10906 Suburban Carryall (Panel Doors).....	127"	195.00	3503.00	40.00	3738.00	25	
CS10916 Suburban Carryall (End Gate).....	127"	163.00	2928.00	40.00	3131.00	20	
KS10916 Suburban Carryall (End Gate).....	127"	197.00	3533.00	40.00	3770.00	25	
<b>8-Cylinder 200-hp High Torque 307 Engine</b>							
CE10906 Suburban Carryall (Panel Doors).....	127"	166.00	2988.00	40.00	3194.00	20	
KE10906 Suburban Carryall (Panel Doors).....	127"	200.00	3593.00	40.00	3833.00	25	
CE10916 Suburban Carryall (End Gate).....	127"	168.00	3018.00	40.00	3226.00	20	
KE10916 Suburban Carryall (End Gate).....	127"	202.00	3623.00	40.00	3865.00	25	

\* Manufacturer's Suggested Dealer New Vehicle Preparation Charge.

\* Manufacturer's Suggested Retail Prices do not include state and local taxes, license fees, options or accessories.

### OPTIONS & ACCESSORIES WHEN INSTALLED BY CHEVROLET

Description	Option Number	Factory D & H	List Price	Mfr's Suggested Retail Delivered Price <sup>◇</sup>
<b>POWER TEAMS &amp; AXLES</b>				
<b>Engine:</b>				
292 Six. Includes 11" dia clutch. CS-KS10 models.....	L25	\$ 4.80	\$ 90.00	\$ 94.80
350 V8; CE-KE10 models only. Includes 4-barrel carburetor, 3.07 ratio rear axle (C10 only) and 12" clutch.....	LS9	1.90	35.00	36.90
350 V8, heavy-duty; CE-KE10 models only. Includes 4-barrel carburetor, 3.07 ratio rear axle (C10 only) and 12" clutch.....	LS8	3.20	60.00	63.20
396 V8; CE10 models only. Not available when Powerglide or overdrive transmission is ordered. Includes 4-barrel carburetor, dual exhaust, 12" clutch, 3.07 ratio rear axle with std or Turbo Hydra-Matic transmission or 3.54 ratio rear axle with 4-speed transmission.....	L47	8.00	150.00	158.00
→ Liquid Petroleum Gas Conversion; available on C10 models when 6-cyl or 350 V8 (HD) engine is ordered.....	L56	4.00	75.00	79.00
With 6-cyl engine.....	L56	2.15	40.00	42.15
With 350 V8 (HD) engine.....				
<b>Transmission:</b>				
Powerglide; C10 models only. Includes HD radiator and 3.07 ratio rear axle with 350 engine. Not available when 396 engine or governor is ordered.....	M35	9.35	175.00	184.35
CE10 models.....	M35	9.85	185.00	194.85
Turbo Hydra-Matic; C10 models only. Includes HD radiator and 3.07 ratio rear axle on CE10 models. Not available when governor is ordered.....				
With 396 engine.....	M49	12.00	225.00	237.00
Without 396 engine.....	M49	11.45	215.00	226.45
Chevrolet 4-speed; includes 3.07 ratio rear axle with 307 or 350 V8 engines and 3.54 ratio rear axle with 396 V8 engine.....				
C10 series.....				
With 396 engine.....	M20	8.00	150.00	158.00
Without 396 engine.....	M20	4.80	90.00	94.80
K10 series.....	M20	4.80	90.00	94.80
New Process 435CR 4-speed (close-ratio); C10 models only. Includes 3.54 ratio rear axle when 396 engine is ordered and 3.07 ratio rear axle when 350 engine is ordered.....				
With 396 engine.....	M28	9.60	180.00	189.60
Without 396 engine.....	M28	6.40	120.00	126.40
Overdrive; C10 models only. Includes 4.11 ratio rear axle; not available when governor equipment or 350 or 396 engine is ordered.....	M10	6.15	115.00	121.15
<b>Axle, Rear:</b> C10 models only				
Ratio 3.07; included when Turbo Hydra-Matic or Chevrolet 4-speed transmission is ordered with 307 engine, also included when 350 engine is ordered.....				
With 3-speed transmission.....	H01	.35	6.50	6.85
With 4-speed transmission or Turbo Hydra-Matic.....	H01	1.00	18.00	19.00
Ratio 3.73; available only when 350 engine is ordered or when Turbo Hydra-Matic or Chevrolet 4-Speed transmission is ordered with 307 engine.....	H05	.15	2.00	2.15
Ratio 4.11; included when overdrive transmission is ordered. Not available when 396 engine is ordered.....	H04	.45	8.00	8.45
Positraction; not available when 396 engine with 4-speed transmission is ordered.....	G80	3.20	60.00	63.20
Maximum Traction; with 396 engine and 4-speed transmission only.....	G87	6.65	125.00	131.65

◇ State and local taxes not included.

→ Indicates change

# SERIES C10-K10 CARRYALLS

## OPTIONS & ACCESSORIES WHEN INSTALLED BY CHEVROLET (Cont'd)

Description	Option Number	Factory D & H	List Price	Mfr.'s Suggested Retail Delivered Price <sup>⊕</sup>
<b>OTHER OPTIONS</b>				
<b>Air Cleaner:</b> Oil-bath; capacity 1 quart. Not available on CE10 models when 396 engine or automatic transmission is ordered.	K48	\$ .55	\$10.00	\$10.55
<b>Air Cleaner, Heavy-Duty:</b> Includes oil-bath pre-cleaner. Not available on CE10 models when 396 engine or automatic transmission is ordered or CS10 models when power steering is ordered with 292 engine.	K46	2.95	55.00	57.95
<b>Air Conditioning, Roof Mounted:</b> Available only when Custom Comfort & Appearance is ordered. Includes H.D. radiator and 42-amp generator.	C69	26.60	500.00	526.60
<b>Battery:</b> Heavy-duty; 66-plate, 70-amp-hr. Included when HD starting motor is ordered.	T60	.40	7.00	7.40
<b>Belts, Seat:</b> Installed for third passenger				
For front seat; not available when bucket seats are ordered.	AM3	.35	6.00	6.35
For optional center seat.	A68	.35	6.00	6.35
For optional center & rear seats.	A68	.65	12.00	12.65
<b>Belts, Shoulder:</b> Color-keyed				
Front seat; driver & passenger.	A85	1.35	25.00	26.35
Center seat; RH & LH passenger positions.	ASS	1.35	25.00	26.35
Center & rear seat; RH & LH passenger positions on rear seat, LH passenger positions on center seat.	ASS	2.00	37.50	39.50
➤ <b>Brakes: Vacuum Power:</b>				
C10 models; also includes 11" x 2.75"				
Front brakes	I70	3.85	72.00	75.85
K10 models	I70	2.25	42.00	44.25
<b>Bumpers:</b> Chromed; front & rear.	V37	1.40	26.00	27.40
<b>Caps, Hub:</b> Chromed; C10 models only.	P03	.55	10.00	10.55
<b>Clutch:</b> HD; diameter 11"; available on 250 engine with 3-speed or New Process 4-speed transmission only. Included when Chevrolet 4-speed transmission or 292 engine is ordered.	M01	.30	5.50	5.80
<b>Cooling:</b> Not available when roof mounted air conditioning is ordered				
Heavy-duty radiator only. Included when automatic transmission is ordered	V01	1.10	20.00	21.10
HD radiator and extra-HD cooling equipment.	V05	2.30	43.00	45.30
➤ <b>Custom Comfort and Appearance Option:</b> Includes vent window, rear window and windshield moldings; chromed control knob trim; custom emblems; color-keyed floor mat; white hardboard headlining; vinyl sidewall trim panels; spare wheel cover; full-depth foam seat with fabric upholstery (except when bucket seats are ordered); cigar lighter; and special insulation. Bright glove box nameplate and dome lamp bezel.				
For use with standard front seat				
When optional seats are not ordered	Z62	8.05	151.00	159.05
When optional center seat is ordered; also includes matching fabric upholstery	Z62	8.60	161.00	169.60
When optional center & rear seats are ordered; also includes matching fabric upholstery	Z62	9.10	171.00	180.10
When bucket front seats are ordered	Z62	5.95	111.00	116.95
When custom deluxe front seat is ordered	Z62	5.95	111.00	116.95
<b>Custom Molding:</b>				
Belt line molding; includes bright fuel filler cap.	BX1	1.60	30.00	31.60
Lower fender, door & body moldings; includes bright fuel filler cap.	BX2	1.90	35.00	36.90
<b>Filter, Fuel</b>	K28	.40	7.50	7.90
<b>Gauges:</b> Ammeter, engine temperature & oil pressure.	Z53	.55	10.00	10.55
Tachometer, ammeter, engine temperature & oil pressure.	U16	2.65	49.00	51.65
<b>Generator, Alternating Current:</b>				
42-amp Delcotron	K79	1.10	20.00	21.10
61-amp Delcotron	K76	1.50	28.00	29.50
62-amp Delcotron	K81	4.45	83.00	87.45
<b>Glass, Soft-Ray:</b> All windows	A11	1.05	19.00	20.05
Windshield only.	AA2	.75	14.00	14.75
<b>Governor:</b> Not available when automatic or overdrive transmission is ordered. Includes manual choke.				
For 250 engine—1800-3000 rpm (low rpm setting)	K37	.95	17.00	17.95
—2800-4000 rpm (high rpm setting)	K38	.95	17.00	17.95
For 292 engine—2100-3000 rpm (low rpm setting)	K37	.95	17.00	17.95
—2800-3900 rpm (high rpm setting)	K38	.95	17.00	17.95
For 307 engine—2300-3100 rpm (low rpm setting)	K37	.95	17.00	17.95
—2800-4100 rpm (high rpm setting)	K38	.95	17.00	17.95

⊕ State and local taxes not included.

➤ Indicates change

# SERIES C10—K10 CARRYALLS

## OPTIONS & ACCESSORIES WHEN INSTALLED BY CHEVROLET (Cont'd)

Description	Option Number	Factory D & H	List Price	Mfr's Suggested Retail Delivered Price
<b>OTHER OPTIONS (Continued)</b>				
<b>Guards:</b> Door edge	B93	\$ .30	\$ 4.95	\$ 5.25
<b>Heater, Engine Block</b>	K05	.55	10.00	10.55
<b>Hooks, Towing:</b> Two front. Not available with chrome bumper	V76	.90	16.00	16.90
<b>Hubs, Free-Wheeling:</b> Front, manual control at hubs; K10 models only	F76	3.90	73.00	76.90
<b>Lamps:</b>				
Roof marker; five	U01	1.35	25.00	26.35
Side marker; front and rear	UB3	.55	10.00	10.55
<b>Mirror, Exterior:</b> Replacing standard RH & LH mirrors				
Below-Eye-Line type				
7.5" x 10.5" painted	D29	1.00	18.50	19.50
7.5" x 10.5" stainless steel	DG4	1.65	31.00	32.65
<b>Paint, Exterior:</b> See Color & Trim chart				
Solid colors		N.C.	N.C.	N.C.
Conventional two-tone; with white secondary color		1.45	27.00	28.45
Special two-tone; with white upper and lower secondary colors				
Available only when Custom lower moldings are ordered		2.55	47.00	49.55
<b>Plate:</b> Serial Number (State of Pennsylvania); 2000-lb capacity HD rear springs required	Z55	N.C.	N.C.	N.C.
<b>Radio:</b> Pushbutton control	U63	3.10	58.00	61.10
<b>→ Seats, Front:</b>				
<i>Front; Custom Deluxe Vinyl, Full-Width. Includes front seat area carpeting</i>				
When optional rear seats are not ordered	A52	3.20	60.00	63.20
When center seat is ordered; also includes center seat area carpeting and matching interior	A52	5.90	110.00	115.90
When center and rear seats are ordered; also includes center seat area carpeting and matching interior	A52	8.00	150.00	158.00
<i>Front, Bucket; Driver &amp; Passenger. Includes front seat area floor carpeting and center console</i>				
When optional rear seats are not ordered	A50	6.15	115.00	121.15
When center seat is ordered; also includes center seat area carpeting and matching interior	A50	8.80	165.00	173.80
When center and rear seats are ordered; also includes center seat area carpeting and matching interior	A50	10.95	205.00	215.95
<b>Seats, Rear:</b>				
<i>Seat trim always matches the front seats whether standard or optional. The price of matching seat trim included in Custom Comfort &amp; Appearance, or optional front seats when ordered</i>				
<i>Center Seat; includes HD front &amp; rear springs (C10 models only), RH &amp; LH armrests and seat belts. Available only when 8.25-15/8PR or truck-type tires are ordered</i>				
	AS3	5.35	100.00	105.35
<i>Center &amp; Rear Seat; includes HD front &amp; rear springs (C10 models only), RH &amp; LH armrests and seat belts. Available only when 8.25-15/8PR or truck-type tires are ordered</i>				
	A80	11.00	206.00	217.00
<b>Shock Absorbers:</b> Heavy-duty				
Front and rear	F51	.80	15.00	15.80
Rear only	G68	.45	8.00	8.45
<b>Speed &amp; Cruise Control:</b> C10 models only. Not available when 396 engine or HD air cleaner is ordered				
	K30	2.80	52.00	54.80
<b>Speed Warning Indicator</b>	U15	.65	12.00	12.65
<b>Springs:</b> HD. Included when center or rear seat is ordered on C10 models				
<i>Front; C10 models; capacity 1350-lb each</i>				
	F60	.30	5.00	5.30
<i>K10 models; capacity 1750-lb each</i>				
	F60	1.60	30.00	31.60
<i>Rear; capacity 2000-lb each. C10 models with HD front springs only</i>				
	G50	.35	6.50	6.85
<i>Auxiliary Rear; capacity 500-lb each; C10 models only</i>				
	G60	1.35	25.00	26.35
<b>Stabilizer, Front:</b> C10 models only				
	F59	.80	15.00	15.80
<b>Starting Motor, Heavy-Duty:</b> Includes HD battery. Not available when Turbo Hydra-Matic transmission is ordered				
With Automatic transmission	K67	1.45	27.00	28.45
Without Automatic transmission	K67	1.10	20.00	21.10
<b>Steering, Power:</b>				
C10 models only	N40	5.60	105.00	110.60
K10 models only	N40	6.65	125.00	131.65
<b>Switch, Door Jamb:</b> Not available when Custom Sport Truck is ordered	C80	.25	4.00	4.25
<b>Tires:</b> See tire pages				
<b>Wheel Covers:</b> Bright metal; C10 models with 7.75-15 or 8.25-15 tires only	P01	1.15	21.50	22.65

◇ State and local taxes not included.

→ Indicates change

# SERIES C10-K10 CARRYALLS

## TUBE-TYPE TIRES (Factory Installed)

Tire Size & Type <small>All tires have black sidewalls except as indicated.</small>	Rim Width Included In Tire Option	Option Number	Factory D & H	List Price	Mfr's. Suggested Retail Delivered Price <sup>◇</sup>
● 7.75-15/8PR—Highway Original Equipment (5) Front, rear, spare	5½	QA4	\$ 3.35	\$ 27.00	\$ 30.35
8.25-15/4PR—Highway Original Equipment (5) Front, rear, spare	5½	RL2	N.C.	3.00	3.00
(2) Front; C10 only	5½	RL2	N.C.	1.20	1.20
(3) Front, spare; C10 only	5½	RL2	N.C.	1.80	1.80
—Highway Nylon (5) Front, rear, spare	5½	R53	1.00	15.00	16.00
(2) Front; C10 only	5½	R53	.40	6.00	6.40
(3) Front, spare; C10 only	5½	R53	.60	9.00	9.60
—On-Off-Road Original Equipment (5) Front, rear, spare; K10 only	5½	R56	1.75	18.00	19.75
(2) Rear; C10 only	5½	R56	.70	7.20	7.90
(3) Rear, spare; C10 only	5½	R56	1.05	10.80	11.85
6.50-16/6PR—Highway Original Equipment (Pass type) (5) Front, rear, spare	5.00	R61	5.15	47.00	52.15
(2) Front; C10 only	5.00	R61	2.05	18.80	20.85
(3) Front, spare; C10 only	5.00	R61	3.10	28.20	31.30
—On-Off-Road Nylon (5) Front, rear, spare; K10 only	5.00	R69	6.00	62.00	68.00
(2) Rear; C10 only	5.00	R69	2.40	24.80	27.20
(3) Rear, spare; C10 only	5.00	R69	3.60	37.20	40.80
<b>6.50-16/6PR Maximum Tire Capacity—Front (1610) Rear (1610)</b>					
(Truck type) —Highway Nylon (5) Front, rear, spare	5.00	R65	6.75	87.00	93.75
(2) Front; C10 only	5.00	R65	2.70	34.80	37.50
(3) Front, spare; C10 only	5.00	R65	4.05	52.20	56.25
—On-Off-Road Nylon (5) Front, rear, spare; K10 only	5.00	R64	10.00	137.00	147.00
(2) Rear; C10 only	5.00	R64	4.00	54.80	58.80
(3) Rear, spare; C10 only	5.00	R64	6.00	82.20	88.20
<b>7.00-15/6PR Maximum Tire Capacity—Front (1720) Rear (1720)</b>					
—Highway Nylon (5) Front, rear, spare	5.50	R44	10.00	121.00	131.00
(2) Front; C10 only	5.50	R44	4.00	48.40	52.40
(3) Front, spare; C10 only	5.50	R44	6.00	72.60	78.60
—On-Off-Road Nylon (5) Front, rear, spare; K10 only	5.50	R43	13.50	171.00	184.50
(2) Rear; C10 only	5.50	R43	5.40	68.40	73.80
(3) Rear, spare; C10 only	5.50	R43	8.10	102.60	110.70

◇ State and local taxes not included.

★ 2-ply construction; 4-ply rating.

● 4-ply construction; 8-ply rating.

# SERIES C10—K10 CARRYALLS

## TUBELESS TIRES (Factory Installed)

Tire Size and Type All tires have black sidewalls except as indicated. Note: Front and rear tires must be of the same construction (regular or nylon).		Rim Width Included in Tire Option	Option Number	Factory D & H	List Price	Mfr's Suggested Retail Delivered Price <sup>◇</sup>
●7.75-15/8PR—Highway Original Equipment	(5) Front, rear, spare	5½	QA2	\$ 3.45	\$ 27.00	\$ 30.45
	(5) Front, rear, spare (Whitewall)	5½	QA3	5.25	68.00	73.25
8.25-15/4PR—Highway *Original Equipment	(5) Front, rear, spare	5½	Std	N.C.	N.C.	N.C.
	(5) Front, rear, spare (Whitewall)	5½	R51	1.50	34.00	35.50
	—Highway Nylon	(5) Front, rear, spare (2) Front; C10 only (3) Front, spare; C10 only	5½ 5½ 5½	Q05 Q05 Q05	1.60 .65 .95	15.00 6.00 9.00
—On-Off-Road Original Equipment	(5) Front, rear, spare; K10 only	5½	R55	2.00	15.00	17.00
	(2) Rear; C10 only	5½	R55	.80	6.00	6.80
	(3) Rear, spare; C10 only	5½	R55	1.20	9.00	10.20
8.25-15/8PR—Highway ●Original Equipment	(5) Front, rear, spare	5½	QA5	4.25	30.00	34.25
	(2) Front; C10 only	5½	QA5	1.70	12.00	13.70
	(3) Front, spare; C10 only	5½	QA5	2.55	18.00	20.55
	(5) Front, rear, spare (Whitewall)	5½	QA6	5.65	64.00	69.65
	—On-Off-Road Original Equipment	(5) Front, rear, spare; K10 only (2) Rear; C10 only (3) Rear, spare; C10 only	5½ 5½ 5½	QB4 QB4 QB4	5.00 2.00 3.00	45.00 18.00 27.00
6.50-16/6PR—Highway (Pass type) Original Equipment	(5) Front, rear, spare	5.00	R59	4.65	47.00	51.65
6.50-16/6PR Maximum Tire Capacity—Front (1610) Rear (1610) (Truck type)—Highway Nylon	(5) Front, rear, spare	5.00	R60	7.25	87.00	94.25

## WIDE BASE TUBELESS TIRES (Factory Installed)

8.00-16.5/6PR Maximum Tire Capacity—Front (1730) Rear (1730) —Highway Nylon	(5) Front, rear, spare	6.00	R70	13.25	162.50	175.75
	(2) Front; C10 only	6.00	R70	5.30	65.00	70.30
	(3) Front, spare; C10 only	6.00	R70	7.95	97.50	105.45
—On-Off-Road Nylon	(5) Front, rear, spare; K10 only	6.00	RQ2	15.25	207.50	222.75
	(2) Rear; C10 only	6.00	RQ2	6.10	83.00	89.10
	(3) Rear, spare; C10 only	6.00	RQ2	9.15	124.50	133.65

◇ State and local taxes not included.

\* 2-ply construction; 4-ply rating.

● 4-ply construction; 8-ply rating.

# SERIES 10 POWER TEAMS

## SERIES C10

ENGINE	TRANSMISSION	AXLE RATIOS	
		STD	OPT
250 Six 292 Six	Chevrolet 3-Speed	3.73	3.07; 4.11
	Chevrolet CH465 4-Speed	3.73	3.07; 4.11
	New Process 435CR 4-Speed	3.73	3.07; 4.11
	Powerglide	3.73	4.11
	Turbo Hydra-matic	3.73	3.07; 4.11
	3-Speed w/Overdrive	4.11	—
307 V8	Chevrolet 3-Speed	3.73	3.07; 4.11
	Chevrolet CH465 4-Speed	3.07	3.73; 4.11
	New Process 435CR 4-Speed	3.73	3.07; 4.11
	Powerglide	3.73	4.11
	Turbo Hydra-matic	3.07	3.73; 4.11
	3-Speed w/Overdrive	4.11	—
350 V8	Chevrolet 3-Speed H.D.	3.07	3.73; 4.11
	Chevrolet CH465 4-Speed	3.07	3.73; 4.11
	New Process 435CR 4-Speed	3.07	3.73; 4.11
	Powerglide	3.07	3.73; 4.11
	Turbo Hydra-matic	3.07	3.73; 4.11
396 V8	Chevrolet 3-Speed H.D.	3.07	—
	Chevrolet CH465 4-Speed	3.54★	—
	New Process 435CR 4-Speed	3.54★	—
	Turbo Hydra-matic	3.07	—

★Dana rear axle used with 396 V8

## SERIES K10 (Except K/5 Blazer)

ENGINE	TRANSMISSION	TRANSFER CASE	AXLE RATIOS	
			STD	OPT
250 Six 292 Six	Chevrolet 3-Speed H.D.	Rockwell T-221	3.73	—
	Chevrolet CH465 4-Speed		3.73	—
307 V8	Chevrolet 3-Speed H.D.	Rockwell T-221	3.73	—
	Chevrolet CH465 4-Speed		3.73	—
350 V8	Chevrolet 3-Speed H.D.	Rockwell T-221	3.73	—
	Chevrolet CH465 4-Speed		3.73	—

## SERIES K10, K/5 BLAZER

ENGINE	TRANSMISSION	TRANSFER CASE	AXLE RATIOS	
			STD	OPT
250 Six	Chevrolet 3-Speed	Dana #20	3.73	—
	Chevrolet CH465 4-Speed	Dana #20	3.73	—
	Turbo Hydra-matic	New Process 205	3.73	—
307 V8	Chevrolet 3-Speed	Dana #20	3.73	—
	Chevrolet CH465 4-Speed	Dana #20	3.73	—
	Turbo Hydra-matic	New Process 205	3.73	—
350 V8	Chevrolet CH465 4-Speed	Dana #20	3.07	—
	Turbo Hydra-matic	New Process 205	3.07	—

# NOTES