



SERIES P30 FC CHASSIS—GASOLINE

GVW Ratings up to 14,000 lb

SERIES P30—FC CHASSIS

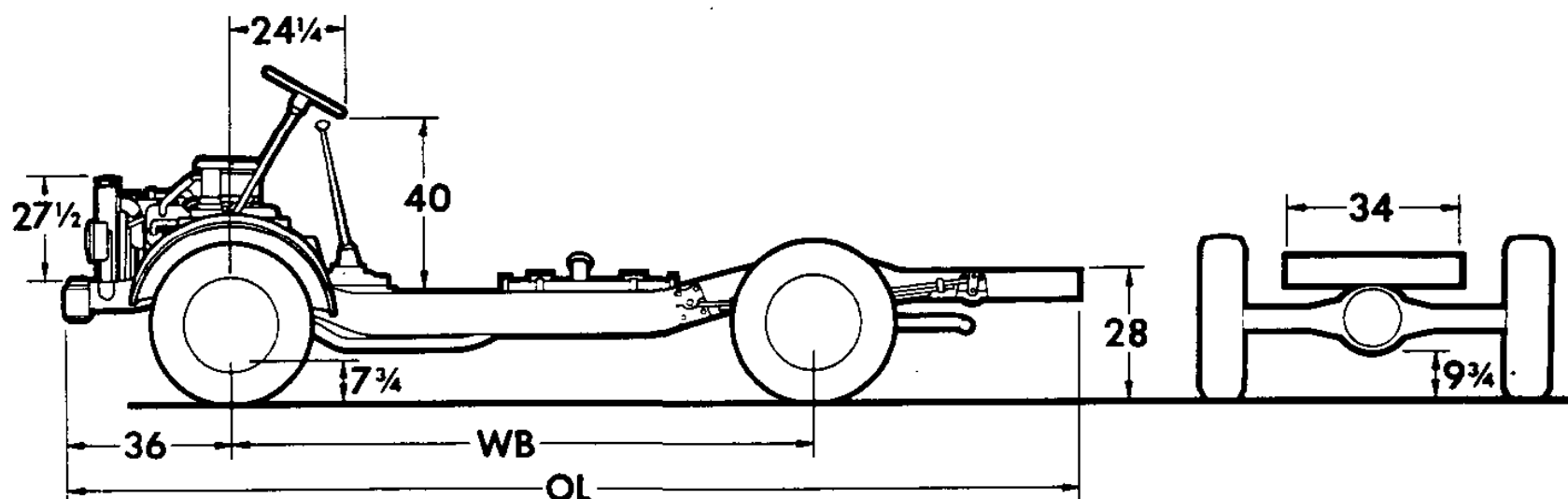
Six-Cylinder Models

PS30842 FC Chassis
PS31042 FC Chassis
PS31442 FC Chassis

V8 Models

PE30842 FC Chassis
PE31042 FC Chassis
PE31442 FC Chassis

DIMENSIONS (With std equipment, unloaded)



Models	Dimensions (in)		Curb Weights (lb)			Body-Payload Wt. Dist.	
	WB	OL	Front	Rear	Total	Front	Rear
PS30842 PE30842	125	220	1830 1920	1175 1182	3005 3102	Determined by style, length & weight of body.	
PS31042 PE31042	133	228	1874 1965	1149 1155	3023 3120		
PS31442 PE31442	157	252	1930 2020	1209 1215	3139 3235		

SERIES P30 STEP-VAN KING ALUMINUM—GASOLINE

GVW Ratings up to 14,000 lb

SERIES P30—STEP-VAN KING ALUMINUM

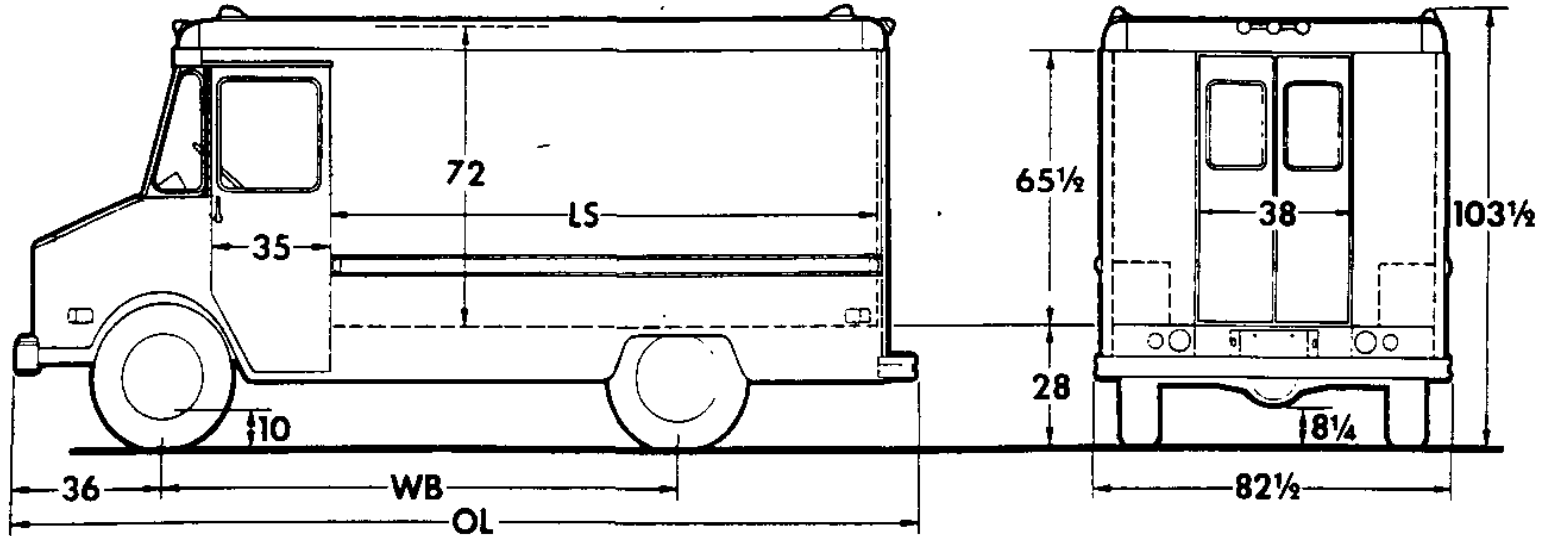
Six-Cylinder Models

PS30855 Step-Van King Aluminum
PS31055 Step-Van King Aluminum
PS31455 Step-Van King Aluminum

V8 Models

PE30855 Step-Van King Aluminum
PE31055 Step-Van King Aluminum
PE31455 Step-Van King Aluminum

DIMENSIONS (With std equipment, unloaded)



Models	Dimensions (in)			Curb Weights (lb)			Body-Payload Wt. Dist.*	
	WB	OL	LS	Front	Rear	Total	Front	Rear
PS30855 PE30855	125	219½	122	2313 2402	2430 2429	4743 4831	9%	91%
PS31055 PE31055	133	243½	146	2454 2546	2379 2373	4833 4919	6%	94%
PS31455 PE31455	157	267½	170	2509 2602	2501 2496	5010 5098	12%	88%

*Estimate based on water-level loading.

Body Dimensions

Models	Body Type	LS (in)	Width (in)	Height (in)	Cubic Capacity (cu ft)
PS30855 PE30855	Standard.....	123.5	77½	72	375
	Standard body with optional interior height.....	123.5	77½	76	397
	Optional body extension with standard interior height.....	129.5	77½	72	394½
	Optional body extension with optional interior height.....	129.5	77½	76	417½
PS31055 PE31055	Standard.....	147.5	77½	72	450
	Standard body with optional interior height.....	147.5	77½	76	476
	Optional body extension with standard interior height.....	153.5	77½	72	469½
	Optional body extension with optional interior height.....	153.5	77½	76	496¾
PS31455 PE31455	Standard.....	171.5	77½	72	525
	Standard body with optional interior height.....	171.5	77½	76	555
	Optional body extension with standard interior height.....	177.5	77½	72	544½
	Optional body extension with optional interior height.....	177.5	77½	76	576

SERIES P30 FC CHASSIS—GASOLINE

STANDARD EQUIPMENT

Air Cleaner: Oil-bath; capacity 1 quart
PS—Overhung; PE—Concentric

Axle, Front: Independent; capacity 3500 lb

Axle, Rear: Hypoid full-floating type; ratio 4.57; capacity 7200 lb

Battery: 12-volt, 54-plate; capacity 53 amp-hr

Brakes, Service: Hydraulic; self-adjusting; dual system
Sizes: front 11" x 2 3/4"; rear 13" x 2 1/2"
Effective area: drum 395 sq in; lining 252 sq in

Brake, Parking: Cable to rear wheels; area 132 sq in; Orscheln-type lever

Bumper: Front only, painted

Carburetor: PS30: single-barrel downdraft
PE30: two-barrel downdraft

Clutch: Diameter 11"; area 124 sq in

Cooling:
PS30: 1.26" radiator core, cross-flow type; 446-sq-in area; 13-lb pressure cap
PE30: 1.26" radiator core, cross-flow type; 480-sq-in area; 13-lb pressure cap

Controls & Instruments: Hand choke; light switch; headlight beam control; speedometer; odometer; ammeter; fuel gauge; engine temperature gauge; oil pressure gauge; high beam indicator light; direction signal light; brake warning light. Ignition switch with accessory position

Direction Signals: Includes Freeway lane-change position on switch and integral hazard warning switch. Wiring and lights furnished loose

Engine:
PS30: 250 Six; closed positive crankcase ventilation
Gross horsepower..... 155 @ 4200 rpm
Net horsepower..... 125 @ 3800 rpm
Gross torque, lb-ft..... 235 @ 1600 rpm
Net torque, lb-ft..... 215 @ 2000 rpm
PE30: 307 V8; closed positive crankcase ventilation
Gross horsepower..... 200 @ 4600 rpm
Net horsepower..... 157 @ 4000 rpm
Gross torque, lb-ft..... 300 @ 2400 rpm
Net torque, lb-ft..... 260 @ 2200 rpm

Exhaust System: Single pipe and aluminized muffler

→ **Filter, Fuel:** Plastic mesh in fuel tank
PS 30: Paper type in carburetor
PE 30: Sintered bronze in carburetor

Filter, Oil:
PS30: full-flow; 1-quart; throwaway type
PE30: full-flow; 1-quart; replaceable element

Frame: 39,000-lb-test steel; section modulus 5.05 (PS/PE308-310 models); 7.29 (PS/PE314 models)

Generator: 42-amp Delcotron

GVW Plate: 10,000 lb

Lights: Furnished in loose parts box—misc. wiring; two headlights; two Class A front combination parking/direction signals; two Class A rear combination tail/stop/direction; two license; instrument panel

Shock Absorbers: Front and rear; piston diameter 1"

Springs, Front: Coil; capacity 1750 lb each at ground

Springs, Rear: Leaf; capacity 3100 lb each at ground

Stabilizer Bar: Front and rear

Steering: Ball-gear, ratio 27.7:1; wheel dia 19"

Tank, Fuel: Outside RH frame rail; capacity approx 30 gallons

Tires: Four tubeless 8-16.5/8PR nylon front and 8-16.5/10PR single rear

Tools: Wheel wrench

Transmission: Chevrolet CH465 4-speed; ratios 6.55, 3.58, 1.70, 1.00, 6.09 (rev.); SAE 6-bolt power take-off openings on both sides

Wheels: Four 16.5" x 6.0"; attachment, 8 studs on 6 1/2" circle. Four hub caps

GVW SELECTOR

GVW Rating (lb)	Chassis Equipment Required for GVW Rating
7300	Standard
10,000♦	4150-lb ea rear spring
14,000★	11,000-lb rear axle

♦ GVW rating shown on vehicle rating plate; ratings are increased or decreased in accordance with the minimum equipment shown in the chart

★ Rating shown on optional GVW plate

Note: Be sure to recommend adequate springs and tires for total axle loads. See Optional Equipment and Tire & Wheel Combination pages.

→ Indicates change

SERIES P30 STEP-VAN KING—GASOLINE SERIES P30 STEP-VAN KING ALUMINUM—GASOLINE

STANDARD EQUIPMENT

Air Cleaner: Oil-bath; capacity 1 quart
PS—Overhung; PE—Concentric

Axle, Front: Independent type; capacity 3500 lb

Axle, Rear: Hypoid full-floating type; ratio 4.57; capacity 7200 lb

Battery: 12-volt, 54-plate; capacity 53 amp-hr

Brakes, Service: Hydraulic; self-adjusting; dual system
Sizes: front 11" x 2 3/4"; rear 13" x 2 1/2"
Effective area: drum 395 sq in; lining 252 sq in

Brake, Parking: Cable to rear wheels; area 132 sq in; Orscheln-type lever

Bumper: Front and rear, painted

Carburetor:
PS30: single-barrel downdraft
PE30: two-barrel downdraft

Clutch: Diameter 11"; area 124 sq in

Cooling:
PS30: 1.26" radiator core, cross-flow type; 446-sq-in area; 13-lb pressure cap
PE30: 1.26" radiator core, cross-flow type, 480-sq-in area; 13-lb pressure cap

Controls & Instruments: Hand choke; windshield wiper-washer switch; light switch; headlight beam control; speedometer; odometer; ammeter; fuel gauge; engine temperature gauge; oil pressure gauge; high beam indicator light; direction signal light; brake warning light. Ignition switch with accessory position

Direction Signals: Class A; two front & two rear; includes integral hazard warning switch

Engine:
PS30: 250 Six; closed positive crankcase ventilation
Gross horsepower 155 @ 4200 rpm
Net horsepower 125 @ 3800 rpm
Gross torque, lb-ft. 235 @ 1600 rpm
Net torque, lb-ft. 215 @ 2000 rpm
PE30: 307 V8; closed positive crankcase ventilation
Gross horsepower 200 @ 4600 rpm
Net horsepower 157 @ 4000 rpm
Gross torque, lb-ft. 300 @ 2400 rpm
Net torque, lb-ft. 260 @ 2200 rpm

Exhaust System: Single pipe and aluminized muffler

Filter, Fuel: Plastic mesh in fuel tank; replaceable paper filter in carburetor

Filter, Oil:
PS30: full-flow; 1-quart; throwaway type
PE30: full-flow; 1-quart; replaceable element

Frame: 39,000-lb-test steel; section modulus 5.05 (PS/PE308-310 models); 7.29 (PS/PE314 models)

Generator: 42-amp Delcotron

GVW Plate: 10,000 lb

Heater & Defroster: Deluxe-Air

Lights: Two headlights; two Class A front combination parking/direction signals; two Class A rear combination tail/stop/direction signals; two front side marker; two rear side marker; five front identification & clearance; five rear identification & clearance; two backup; two license; instrument panel & dome

Mirror, Rearview: Exterior RH & LH 7 1/2" fixed arm

Seat: Driver only; vinyl trim

Shock Absorbers: Front and rear; piston diameter 1"

Springs, Front: Coil; capacity 1750 lb each at ground

Springs, Rear: Leaf; capacity 3100 lb each at ground

Stabilizer Bar: Front and rear

Steering: Ball-gear, ratio 27.7:1; wheel dia 19"

Tank, Fuel: Outside RH frame rail; capacity approx 30 gallons

Tires: Four tubeless 8-16.5/8PR nylon front and 8-16.5/10PR single rear

Tools: Wheel wrench

Transmission: Chevrolet CH465 4-speed; ratios 6.55, 3.58, 1.70, 1.00, 6.09 (rev); SAE 6-bolt power take-off openings on both sides

Wheels: Four 16.5" x 6.0"; attachment, 8 studs on 6 1/2" circle. Four hub caps

Windshield Wipers & Washer: Electric; 2-speed wipers

GVW SELECTOR

GVW Rating (lb)	Chassis Equipment Required for GVW Rating
7300	Standard
10,000◆	4150-lb ea rear spring
14,000★	11,000-lb rear axle

◆ GVW rating shown on vehicle rating plate; ratings are increased or decreased in accordance with the minimum equipment shown in the chart

★ Rating shown on optional GVW plate

Note: Be sure to recommend adequate springs and tires for total axle loads. See Optional Equipment and Tire & Wheel Combination pages.

P30 SERIES—GASOLINE (7300—14,000-lb GVW Ratings)

1969 MODELS WITH STANDARD EQUIPMENT

Model & Type	Wheel-base	Factory D & H	List Price	Mfr's Spt'd Dealer NVPC*	Mfr's Spt'd Retail Price*	Desti-nation Charge & Group Number	Total
6-Cylinder 155-hp High Torque 250 Engine							
• PE30835	Step-Van King (10-ft).....	125"	\$276.00	\$3582.00	\$40.00	\$3898.00	41.....
PE30842	Forward-Control Chassis.....	125"	156.00	1946.00	40.00	2142.00	15.....
• PE30855	Step-Van King (10-ft)						
	Aluminum.....	125"	331.00	4315.00	40.00	4686.00	41.....
• PE31035	Step-Van King (12-ft).....	133"	284.00	3687.00	40.00	4011.00	41.....
PE31042	Forward-Control Chassis.....	133"	158.00	1976.00	40.00	2174.00	15.....
• PE31055	Step-Van King (12-ft)						
	Aluminum.....	133"	351.00	4586.00	40.00	4977.00	41.....
• PE31435	Step-Van King (14-ft).....	157"	294.00	3824.00	40.00	4158.00	41.....
PE31442	Forward-Control Chassis.....	157"	160.00	2011.00	40.00	2211.00	15.....
• PE31455	Step-Van King (14-ft)						
	Aluminum.....	157"	373.00	4877.00	40.00	5290.00	41.....
8-Cylinder 200-hp High Torque 307 Engine							
• PE30835	Step-Van King (10-ft).....	125"	283.00	3672.00	40.00	3995.00	41.....
PE30842	Forward-Control Chassis.....	125"	162.00	2036.00	40.00	2238.00	15.....
• PE30855	Step-Van King (10-ft)						
	Aluminum.....	125"	338.00	4405.00	40.00	4783.00	41.....
• PE31035	Step-Van King (12-ft).....	133"	291.00	3777.00	40.00	4108.00	41.....
PE31042	Forward-Control Chassis.....	133"	165.00	2066.00	40.00	2271.00	15.....
• PE31055	Step-Van King (12-ft)						
	Aluminum.....	133"	358.00	4676.00	40.00	5074.00	41.....
• PE31435	Step-Van King (14-ft).....	157"	301.00	3914.00	40.00	4255.00	41.....
PE31442	Forward-Control Chassis.....	157"	167.00	2101.00	40.00	2308.00	15.....
• PE31455	Step-Van King (14-ft)						
	Aluminum.....	157"	380.00	4967.00	40.00	5387.00	41.....

- * Manufacturer's Suggested Dealer New Vehicle Preparation Charge.
- * Manufacturer's Suggested Retail Prices do not include state and local taxes, license fees, options or accessories.
- All Step-Van chassis will be shipped to Union City Body Co. where all body work will be done. These units will be serviced and conditioned for highway travel after body is installed. A conditioning charge of \$10.00 will be added.

OPTIONS AND ACCESSORIES WHEN INSTALLED BY CHEVROLET

Description	Option Number	Factory D & H	List Price	Mfr's Suggested Retail Delivered Price [◇]
POWER TEAMS & AXLES				
Engines:				
292 Six; includes 11" clutch.....	L25	\$ 6.85	\$ 90.00	\$ 96.85
350 V8 engines include 4.10 ratio rear axle when Chevrolet 4-speed or Turbo Hydra-Matic transmission is ordered with single rear wheels. Also includes 12" clutch				
350 V8; not available when Motor Home Conversion equipment is ordered	LS9	2.70	35.00	37.70
350 V8; heavy-duty.....	LS8	4.60	60.00	64.60
<i>Liquid Petroleum Gas Conversion; available only when 6-cyl or 350 V8 (HD) engine is ordered</i>				
With 6-cyl engine.....	L56	5.70	75.00	80.70
With 350 V8 (HD) engine.....	L56	3.05	40.00	43.05
Transmissions:				
Turbo Hydra-Matic; includes HD radiator.....	M49	16.35	215.00	231.35
New Process 435CR 4-speed (close-ratio).....	M28	2.30	30.00	32.30

◇ State and local taxes not included.

OPTIONS AND ACCESSORIES WHEN INSTALLED BY CHEVROLET

Description	Option Number	Factory D & H	List Price	Mfr's Suggested Retail Delivered Price [◇]
POWER TEAMS & AXLES (Cont'd)				
Axle, Rear:				
Ratio 4.10; not available when 350 engines with Chevrolet 4-speed or Turbo Hydra-Matic transmission are ordered with single rear wheels. Available with dual rear wheels only when Turbo Hydra-Matic or Chevrolet 4-speed transmission is ordered with 350 engine.....	HB8	\$.65	\$ 8.00	\$ 8.65
Ratio 4.57; with dual rear wheels or when Turbo Hydra-Matic or Chevrolet 4-speed transmission and 350 engine are ordered with single rear wheels	H20	.80	10.00	10.80
With standard transmission.....	H20	.20	2.00	2.20
With optional transmission.....				
Ratio 5.14; available only when Turbo Hydra-Matic or Chevrolet 4-speed transmission with 350 heavy duty engine and dual rear wheel equipment is ordered.....	H08	.20	2.00	2.20
Capacity 11,000-lb; ratio 6.17; available only with dual rear wheels, standard transmission, power brakes, HD radiator and 7.00-18/8PR tube-type or 8-19.5 tubeless-type tires. Includes 2000-lb front springs, HD front & rear shock absorbers and 5900-lb main & auxiliary rear springs.....	H22	18.65	245.00	263.65
NoSPIN; not available with dual rear wheels.....	G86	9.50	125.00	134.50
OTHER OPTIONS				
Battery: HD; 70-amp-hr. Included with HD starting motor.....	T60	.55	7.00	7.55
Brakes:				
Parking; drum-type not available when 11,000-lb rear axle or Turbo Hydra-Matic is ordered.....	J76	1.90	25.00	26.90
Vacuum Power.....	J70	3.20	42.00	45.20
Carrier, Spare Wheel: (Under frame).....	P10	.70	8.75	9.45
Chassis Conversion, Motor Home: For use on 133' and 157' wheelbase chassis models only when converting to Motor Home. Requires 350 V8 heavy-duty engine, Turbo Hydra-Matic transmission, power steering and HD battery, 61- or 62-amp generator. Includes vacuum power brakes.....	Z69	15.20	200.00	215.20
Cooling: HD radiator only. Included when automatic transmission is ordered.....	V01	1.55	20.00	21.55
Exhaust Emission Control: Approved by State of California and exclusive to California Vehicle Registrations only.....	K19	3.60	47.00	50.60
Filter, Fuel	K28	.60	7.50	8.10
Generator, Alternating Current: 61-amp Delcotron.....	K76	.65	8.00	8.65
62-amp Delcotron.....	K81	5.20	68.00	73.20
Governor: Not available when automatic transmission is ordered. Includes manual choke				
For 250 engine—1800-3000 rpm (low rpm setting).....	K37	1.30	17.00	18.30
—2800-4000 rpm (high rpm setting).....	K38	1.30	17.00	18.30
For 292 engine—2100-3000 rpm (low rpm setting).....	K37	1.30	17.00	18.30
—2800-3900 rpm (high rpm setting).....	K38	1.30	17.00	18.30
For 307 engine—2300-3100 rpm (low rpm setting).....	K37	1.30	17.00	18.30
—2800-4100 rpm (high rpm setting).....	K38	1.30	17.00	18.30
Heater, Engine Block	K05	.80	10.00	10.80
Jack: Mechanical; capacity 4000-lb (With single rear wheels).....	V62	.85	11.00	11.85
Mechanical; capacity 4700-lb (With dual rear wheels).....	V62	1.00	13.00	14.00
Plate: GVW; see GVW Selector in Truck Data Book for minimum requirements				
14,000-lb; requires 11,000-lb rear axle.....	Z51	N.C.	N.C.	N.C.
Serial Number (State of Pennsylvania).....	Z55	N.C.	N.C.	N.C.
Shock Absorbers: Heavy-duty				
Front and rear; included when 11,000-lb rear axle is ordered.....	F51	1.15	15.00	16.15
Rear; not available when 11,000-lb rear axle is ordered.....	G68	.65	8.00	8.65
Speed Warning Indicator	U15	.95	12.00	12.95
Springs: Not available when 11,000-lb rear axle is ordered				
Front; heavy-duty; capacity 2000-lb each.....	F60	.40	5.00	5.40
Rear; main & auxiliary type; capacity 4150-lb each.....	G60	2.70	35.00	37.70
Starting Motor, Heavy-Duty: Includes HD battery. Not available when Turbo Hydra-Matic transmission is ordered.....	K67	1.55	20.00	21.55
Steering, Power	N40	8.40	110.00	118.40
Tires and Wheels: See Tire & Wheel section				

◇ State and local taxes not included.

P30 SERIES STEP-VAN KING—GASOLINE

OPTIONS AND ACCESSORIES WHEN INSTALLED BY UNION CITY BODY CO.

Description	Option Number	Factory D & H	List Price	Mfr's Suggested Retail Delivered Price [◇]
Carrier, Spare Wheel: Inside-mounted				
Right door pocket	E32RL	\$ 1.00	\$ 13.00	\$ 14.00
Left door pocket	E32LL	1.00	13.00	14.00
Doors, Rear: Specify opening width and door type (Replacing standard double doors with 38" opening)				
Double doors; 60" opening	E32AA	3.05	40.00	43.05
Wraparound double doors; 74" opening; with piano hinges	E32AB	6.85	90.00	96.85
Wraparound double doors; 74" opening; with strap hinges	E32AC	7.60	100.00	107.60
Floor: (Replacing 18-gauge corrugated floor)				
Smooth floor; 11-gauge	E32AJ	4.20	55.00	59.20
Glass, Soft-Ray: Windshield only				
	E32BU	1.90	25.00	26.90
Height Addition: 76" inside height				
	E32BP	9.20	121.00	130.20
Lamps:				
Dome: Extra light mounted over load space	E32BB	.40	5.00	5.40
Length Addition: 6" additional body length in load space				
	E32AR	4.20	55.00	59.20
Mirror, Exterior: Specify location				
Right-side (4" x 16" head)	E32BX	.85	11.00	11.85
Left-side (4" x 16" head)	E32BW	.85	11.00	11.85
Paint, Exterior: See Color & Trim chart				
Solid colors (Chevrolet options)	E32	N.C.	N.C.	N.C.
Two-tone combinations (Chevrolet options)	E32	2.45	32.00	34.45
Body in Prime	E32BM	N.C.	N.C.	N.C.
<i>Special applications—Contact Union City Body Co. for prices</i>				
Partition, Sliding: Plywood; between driver's seat and load compartment.				
	E32AM	5.35	70.00	75.35
Seats:				
Foam-rubber driver's seat	E32AN	.40	5.00	5.40
Passenger seat; same as standard driver's seat	E32BJ	4.35	57.00	61.35
Wheelhousings: Dual-wheel type (Required with dual rear tires)				
	E32BH	1.40	18.00	19.40
Window, Sliding: Right front door				
	E32BV	2.45	32.00	34.45

For special body work not covered by the above options, dealer should contact Union City Body Co., Union City, Indiana. Subsequent installation and payment for such special body work will be handled between the body company and the dealer.

[◇] State and local taxes not included.

P30 SERIES STEP-VAN KING (ALUMINUM)—GASOLINE

OPTIONS AND ACCESSORIES WHEN INSTALLED BY UNION CITY BODY CO.

Description	Option Number	Factory D & H	List Price	Mfr's Suggested Retail Delivered Price [◇]
Carrier, Spare Wheel: Inside-mounted				
Right door pocket.....	E33RL	\$ 1.00	\$ 13.00	\$ 14.00
Left door pocket.....	E33LL	1.00	13.00	14.00
Doors, Rear: Specify opening width and door type (Replacing standard double doors with 38" opening)				
Double doors; 60" opening.....	E33XA	3.45	45.00	48.45
Double doors; 74" opening.....	E33XB	8.40	110.00	118.40
Floor: Smooth type				
For use with 10-ft body.....	E33XC	9.50	125.00	134.50
For use with 12-ft body.....	E33XD	11.40	150.00	161.40
For use with 14-ft body.....	E33XE	13.30	175.00	188.30
Glass: Soft-Ray; windshield only.....	E33BU	1.90	25.00	26.90
Height Addition: 76" inside height.....	E33XJ	12.55	165.00	177.55
Lamps: Dome; extra light mounted over load space.....	E33BB	.40	5.00	5.40
Length Addition: 6" additional body length in load space.....	E33XF	5.70	75.00	80.70
Mirror, Exterior: Specify location and type				
Right-hand (4" x 16" head).....	E33BX	.85	11.00	11.85
Left-hand (4" x 16" head).....	E33BW	.85	11.00	11.85
Paint, Exterior: See Colors section				
Solid colors (Chevrolet options).....	E33	9.50	125.00	134.50
Two-tone combinations (Chevrolet options).....	E33	11.80	155.00	166.80
Body in Prime.....	E33XH	5.35	70.00	75.35
<i>Special applications—Contact Union City Body Co. for prices</i>				
Partition, Sliding: Plywood; between driver's seat and load compartment.....	E33AM	5.35	70.00	75.35
Seats:				
Foam-rubber driver's seat.....	E33AN	.40	5.00	5.40
Passenger seat; same as standard driver's seat.....	E33BJ	4.35	57.00	61.35
Wheelhousings: Dual-wheel type; includes fenders (Required with dual rear tires).....	E33XG	2.70	35.00	37.70
Window, Sliding: Right front door.....	E33XK	3.45	45.00	48.45

For special body work not covered by the above options, dealer should contact Union City Body Co., Union City, Indiana. Subsequent installation and payment for such special body work will be handled between the body company and the dealer.

◇ State and local taxes not included.

P30 SERIES

TUBE-TYPE TIRES (Factory Installed)

Tire Size and Type	Rim Width Included In Tire Option	Option Number	Factory D & H	List Price	Mfr's Suggested Retail Delivered Price [◆]
➔ Dealer Note: When dual rear tires are specified, the following equipment will be applied to the order as shown in the dual rear tire portion of the order form. THIS EQUIPMENT IS NOT PRICED IN THE TIRE OPTION AND WILL REFLECT ON THE INVOICE IN THE FOLLOWING MANNER: Includes dual rear chassis provisions and 4.57 ratio 7200-lb rear axle when 350 engine with Chevrolet 4-speed or Turbo Hydra-Matic transmission is ordered on PE30 models. Also includes 5.14 ratio 7200-lb rear axle when 350 engine with New Process 4-speed close-ratio transmission or 250, 292 or 307 engine is ordered on PS-PE30 models.					
		R05	N.C.	N.C.	N.C.
6.50-16/6PR Maximum Tire Capacity—Front (1610) Dual Rear (1420)					
—Highway Nylon	(2) Front	5.50 R65	N.C.	N.C.	N.C.
	(4) Dual rear	5.50 R65	\$ 9.80	\$102.00	\$111.80
	(1) Spare	5.50 R65	6.15	62.00	68.15
7.00-16/6PR Maximum Tire Capacity—Front (1800) Dual Rear (1580)					
—Highway Nylon	(2) Front	5.50 R78	N.C.	N.C.	N.C.
	(4) Dual rear	5.50 R78	11.45	106.00	117.45
	(1) Spare	5.50 R78	6.70	65.00	71.70
—On-Off-Road Nylon	(4) Dual rear	5.50 R71	14.45	149.00	163.45
	(1) Spare	5.50 R71	7.50	76.50	84.00
➔ 7.50-16/6PR Maximum Tire Capacity—Front (2060) Rear (2060) Dual Rear (1815)					
—Highway Nylon	(2) Front (With Single Rear Wheels)	6.00 R67	1.35	17.50	18.85
	(2) Front (With Rear Dual Wheels)	5.50 R67	1.35	17.50	18.85
	(2) Rear (Single Rear Wheels)	6.00 R67	1.40	14.00	15.40
	(4) Dual rear	5.50 R67	15.45	147.50	162.95
	(1) Spare	5.50 R67	7.60	74.00	81.60
—On-Off-Road Nylon	(2) Rear (Single Rear Wheels)	6.00 RM7	3.20	35.50	38.70
	(4) Dual Rear	5.50 RM7	19.10	191.50	210.60
	(1) Spare (with Single Rear Wheels)	6.00 RM7	8.50	85.00	93.50
	(1) Spare (with Dual Rear Wheels)	5.50 RM7	8.50	85.00	93.50
	➔ 7.50-16/8PR Maximum Tire Capacity—Front (2440) Rear (2440) Dual Rear (2140)				
—Highway Nylon	(2) Front (With Single Rear Wheels)	6.00 R68	2.15	26.00	28.15
	(2) Front (With Dual Rear Wheels)	5.50 R68	2.15	26.00	28.15
	(2) Rear (Single Rear Wheels)	6.00 R68	1.50	14.00	15.50
	(4) Dual rear	5.50 R68	16.75	162.00	178.75
	(1) Spare (With Single Rear Wheels)	6.00 R68	7.90	77.00	84.90
	(1) Spare (With Dual Rear Wheels)	5.50 R68	7.90	77.00	84.90
	—On-Off-Road Nylon	(2) Rear (Single Rear Wheels)	6.00 RM8	3.40	38.00
(4) Dual Rear		5.50 RM8	20.60	210.00	230.60
(1) Spare (with Single Rear Wheels)		6.00 RM8	8.85	89.00	97.85
(1) Spare (with Dual Rear Wheels)		5.50 RM8	8.85	89.00	97.85
➔ 7.50-16/10PR Maximum Tire Capacity—Front (2780) Rear (2780)					
—Highway Nylon	(2) Front	6.00 RM5	3.75	45.00	48.75
	(2) Rear	6.00 RM5	3.30	35.50	38.80
	(1) Spare	6.00 RM5	8.95	90.00	98.95
—On-Off-Road Nylon	(2) Rear	6.00 RM6	5.10	55.00	60.10
	(1) Spare	6.00 RM6	10.25	104.50	114.75
7.00-18/8PR Maximum Tire Capacity—Front (2440) Dual Rear (2140)					
—Highway Nylon	(6) Front, dual rear	5.00 R90	23.50	238.00	261.50
	(1) Spare	5.00 R90	9.40	95.00	104.40

◆ State and local taxes not included.

➔ Indicates change

WIDE BASE TUBELESS TIRES (Factory Installed)

Tire Size and Type	Rim Width Included In Tire Option	Option Number	Factory D & H	List Price	Mfr's Suggested Retail Delivered Price [◇]	
<p>→ Dealer Note: When dual rear tires are specified, the following equipment will be applied to the order as shown in the dual rear tire portion of the order form.</p> <p>THIS EQUIPMENT IS NOT PRICED IN THE TIRE OPTION AND WILL REFLECT ON THE INVOICE IN THE FOLLOWING MANNER:</p> <p>Includes dual rear chassis provisions and 4.57 ratio 7200-lb rear axle when 350 engine with Chevrolet 4-speed or Turbo Hydra-Matic transmission is ordered on model PE30. Also includes 5.14 ratio 7200-lb rear axle when 350 engine with New Process 4-speed close-ratio transmission or 250, 292 or 307 engine is ordered on models PS-PE30. RO5</p>						
			N.C.	N.C.	N.C.	
*8.00-16.5/6PR Maximum Tire Capacity—Front (1730) Dual Rear (1520)						
—Highway Nylon	(2) Front (Use with dual rear wheels only)	6.00	R70	N.C.	N.C.	N.C.
	(4) Dual rear	6.00	R70	\$12.90	\$116.00	\$128.90
	(1) Spare	6.00	R70	7.35	71.00	78.35
—On-Off-Road Nylon	(4) Dual rear	6.00	RQ2	15.05	152.00	167.05
	(1) Spare	6.00	RQ2	7.85	80.00	87.85
*8.00-16.5/8PR Maximum Tire Capacity—Front (2045) Dual Rear (1800)						
—Highway Nylon	(2) Front	6.00	Std	N.C.	N.C.	N.C.
	(4) Dual rear when 8.00-16.5/6PR Tires are ordered on front	6.00	RP3	15.65	150.00	165.65
	(4) Dual rear when 8.00-16.5/8PR Tires are ordered on front	6.00	RP3	16.25	158.00	174.25
	(1) Spare with Single rear wheels	6.00	RP3	7.70	75.00	82.70
—On-Off-Road Nylon	(1) Spare with Dual rear wheels	6.00	RP3	8.00	79.00	87.00
	(4) Dual rear when 8.00-16.5/6PR Tires are ordered on front	6.00	RQ3	17.85	190.00	207.85
	(4) Dual rear when 8.00-16.5/8PR Tires are ordered on front	6.00	RQ3	18.45	198.00	216.45
Nylon	(1) Spare with Single rear wheels	6.00	RQ3	8.25	85.00	93.25
	(1) Spare with Dual rear wheels	6.00	RQ3	8.55	89.00	97.55
8.00-16.5/10PR Maximum Tire Capacity—Front (2330) Dual Rear (2050)						
—Highway Nylon	(2) Front (Use with dual rear wheels only)	6.00	RP4	.95	16.00	16.95
	(2) Rear (Single rear wheels)	6.00	Std	N.C.	N.C.	N.C.
	(4) Dual rear when 8.00-16.5/6PR or 10PR Tires are ordered on front	6.00	RP4	17.45	182.00	199.45
—On-Off-Road Nylon	(4) Dual rear when 8.00-16.5/8PR Tires are ordered on front	6.00	RP4	18.10	190.00	208.10
	(1) Spare with Single rear wheels	6.00	RP4	8.15	83.00	91.15
	(1) Spare with Dual rear wheels	6.00	RP4	8.45	87.00	95.45
8.75-16.5/8PR Maximum Tire Capacity—Front (2350) Rear (2350)						
—Highway Nylon	(2) Front	6.75	RP6	1.35	16.00	17.35
	(2) Rear	6.75	RP6	N.C.	N.C.	N.C.
	(1) Spare	6.75	RP6	8.35	83.00	91.35
—On-Off-Road Nylon	(2) Rear	6.75	RQ4	1.50	20.00	21.50
	(1) Spare	6.75	RQ4	8.90	93.00	101.90
9.50-16.5/8PR Maximum Tire Capacity—Front (2780) Rear (2780)						
—Highway Nylon	(2) Front	6.75	RP9	3.90	42.00	45.90
	(2) Rear	6.75	RP9	2.55	20.00	22.55
	(1) Spare	6.75	RP9	9.60	96.00	105.60
—On-Off-Road Nylon	(2) Rear	6.75	RQ5	3.25	40.00	43.25
	(1) Spare	6.75	RQ5	10.00	106.00	116.00

◇ State and local taxes not included.

★ Available only when dual rear tire equipment is ordered.

→ Indicates change

P30 SERIES

WIDE BASE TUBELESS TIRES (Factory Installed)

TUBELESS TIRES (Factory Installed)

Tire Size and Type	Rim Width Included In Tire Option	Option Number	Factory D & H	List Price	Mfr's. Suggested Retail Delivered Price [⊕]
➔ Dealer Note: When dual tires are specified, the following equipment will be applied to the order as shown in the dual rear tire portion of the order form. THIS EQUIPMENT IS NOT PRICED IN THE TIRE OPTION AND WILL REFLECT ON THE INVOICE IN THE FOLLOWING MANNER: Includes dual rear chassis provisions and 4.57 ratio 7200-lb rear axle when 350 engine with Chevrolet 4-speed or Turbo Hydra-matic transmission is ordered on model PE30. Also includes 5.14 ratio 7200-lb rear axle when 350 engine with New Process 4-speed close-ratio transmission or 250, 292 or 307 engine is ordered on models PS-PE30.					
		R05	N.C.	N.C.	N.C.
*8-19.5/8PR Maximum Tire Capacity—Front (2780) Dual Rear (2440)					
—Highway Nylon	(2) Front	5.25 R98	\$ 4.25	\$ 42.00	\$ 46.25
	(4) Dual rear	5.25 R98	23.50	226.00	249.50
	(1) Spare	5.25 R98	10.10	100.00	110.10
—On-Off-Road Nylon	(4) Dual rear	5.25 R97	28.95	282.00	310.95
	(1) Spare	5.25 R97	11.45	114.00	125.45
*8-19.5/10PR Maximum Tire Capacity—Front (3140) Dual Rear (2760)					
—Highway Nylon	(2) Front	5.25 R99	6.95	86.00	92.95
	(4) Dual rear	5.25 R99	28.95	314.00	342.95
	(1) Spare	5.25 R99	11.45	122.00	133.45

SPARE WHEELS

Wheel Type	Option No.	Factory D & H	List Price	Mfr's. Suggested Retail Delivered Price [⊕]
<i>For tubeless tires</i>				
16.5 x 6.00;				
With single rear tires	QE6	\$.80	\$10.00	\$10.80
With dual rear tires	QE6	1.10	14.00	15.10
16.5 x 6.75	QE7	.80	10.00	10.80
19.5 x 5.25	Q36	1.90	25.00	26.90
<i>For tube-type tires</i>				
16 x 5.50	S76	1.30	17.00	18.30
➔ 16 x 6.00	Q20	1.30	17.00	18.30
➔ 18 x 5.00	Q31	1.45	19.00	20.45

⊕State and local taxes not included.

*Available only when 11,000-lb rear axle is ordered.

➔Indicates change

OPTIONS AND ACCESSORIES WHEN INSTALLED BY UNION CITY BODY CO.

Description	Option Number	Factory D & H	List Price	Mr's Suggested Retail Delivered Price [◇]
Carrier, Spare Wheel: Inside-mounted				
Right door pocket.....	E32RL	\$1.00	\$ 13.00	\$ 14.00
Left door pocket.....	E32LL	1.00	13.00	14.00
Doors, Rear: Specify opening width and door type (Replacing standard double doors with 38" opening)				
Double doors; 60" opening.....	E32AA	3.05	40.00	43.05
Wraparound double doors; 74" opening; with piano hinges.....	E32AB	6.85	90.00	96.85
Wraparound double doors; 74" opening; with strap hinges.....	E32AC	7.60	100.00	107.60
Floor: (Replacing 18-gauge corrugated floor)				
Smooth floor; 11-gauge.....	E32AJ	4.20	55.00	59.20
Glass: Soft-Ray; windshield only.....	E32BU	1.90	25.00	26.90
Height Addition: 76" inside height.....	E32BP	9.20	121.00	130.20
Lamps: Dome; extra light mounted over load space.....	E32BB	.40	5.00	5.40
Length Addition: 6" additional body length in load space.....	E32AR	4.20	55.00	59.20
Mirror, Exterior: Specify location				
Right-hand (4" x 16" head).....	E32BX	.85	11.00	11.85
Left-hand (4" x 16" head).....	E32BW	.85	11.00	11.85
Paint, Exterior: See Color & Trim chart				
Solid colors (Chevrolet options).....	E32	N.C.	N.C.	N.C.
Two-tone combinations (Chevrolet options).....	E32	2.45	32.00	34.45
Body in Prime.....	E32BM	N.C.	N.C.	N.C.
<i>Special applications—Contact Union City Body Co. for prices</i>				
Partition, Sliding: Plywood; between driver's seat and load compartment.....	E32AM	5.35	70.00	75.35
Seat:				
Foam-rubber driver's seat.....	E32AN	.40	5.00	5.40
Passenger seat; same as standard driver seat.....	E32BJ	4.35	57.00	61.35
Wheelhousings: Dual-wheel type (Required with dual rear tires).....				
	E32BH	1.40	18.00	19.40
Window, Sliding: Right front door.....	E32BV	2.45	32.00	34.45

For special body work not covered by the above options, dealer should contact Union City Body Co., Union City, Indiana. Subsequent installation and payment for such special body work will be handled between the body company and the dealer.

◇ State and local taxes not included.

P30 SERIES STEP-VAN KING (ALUMINUM)—DIESEL

OPTIONS AND ACCESSORIES WHEN INSTALLED BY UNION CITY BODY CO.

Description	Option Number	Factory D & H	List Price	Mfr's Suggested Retail Delivered Price [◇]
Carrier, Spare Wheel: Inside-mounted				
Right door pocket.....	E33RL	\$ 1.00	\$ 13.00	\$ 14.00
Left door pocket.....	E33LL	1.00	13.00	14.00
Doors, Rear: Specify opening width and door type (Replacing standard double doors with 38" opening)				
Double doors; 60" opening.....	E33XA	3.45	45.00	48.45
Double doors; 74" opening.....	E33XB	8.40	110.00	118.40
Floor: Smooth type				
For use with 10-ft body.....	E33XC	9.50	125.00	134.50
For use with 12-ft body.....	E33XD	11.40	150.00	161.40
For use with 14-ft body.....	E33XE	13.30	175.00	188.30
Glass: Soft-Ray; windshield only.....	E33BU	1.90	25.00	26.90
Height Addition: 76" inside height.....	E33XJ	12.55	165.00	177.55
Lamps: Dome; extra light mounted over load space.....	E33BB	.40	5.00	5.40
Length Addition: 6" additional body length in load space.....	E33XF	5.70	75.00	80.70
Mirror, Exterior: Specify location and type				
Right-hand (4" x 16" head).....	E33BX	.85	11.00	11.85
Left-hand (4" x 16" head).....	E33BW	.85	11.00	11.85
Paint, Exterior: See Colors section				
Solid colors (Chevrolet options).....	E33	9.50	125.00	134.50
Two-tone combinations (Chevrolet options).....	E33	11.80	155.00	166.80
Body in Prime.....	E33XH	5.35	70.00	75.35
<i>Special applications—Contact Union City Body Co. for prices</i>				
Partition, Sliding: Plywood; between driver's seat and load compartment.....	E33AM	5.35	70.00	75.35
Seat:				
Foam-rubber driver seat.....	E33AN	.40	5.00	5.40
Passenger seat; same as standard driver seat.....	E33BJ	4.35	57.00	61.35
Wheelhousings: Dual-wheel type; includes fenders (Required with dual rear tires).....				
	E33XG	2.70	35.00	37.70
Window, Sliding: Right front door.....	E33XK	3.45	45.00	48.45

For special body work not covered by the above options, dealer should contact Union City Body Co., Union City, Indiana. Subsequent installation and payment for such special body work will be handled between the body company and the dealer.

◇ State and local taxes not included.

SERIES P30 STEP-VAN KING-DIESEL SERIES P30 STEP-VAN KING ALUMINUM-DIESEL

STANDARD EQUIPMENT

Air Cleaner: Dual oil-bath; capacity 1 quart
Axle, Front: Independent, capacity 3500 lb
Axle, Rear: Hypoid; full-floating type; ratio 4:10; capacity 7200 lb
Battery: 12-volt, 114-plate; capacity 150 amp-hr.
Brakes, Service: Hydraulic; self-adjusting; dual system
 Sizes: front 11" x 2 3/4"; rear 13" x 2 1/2"
 Effective area: drum 395 sq in; lining 252-sq in
Brake, Parking: Cable to rear wheels; area 132 sq in; Orscheln-type lever
Bumper: Front and rear, painted
Clutch: Diameter 12"; area 150 sq in
Cooling: 1.98" radiator core, cross-flow type; 446-sq-in area; 13-lb pressure cap
Controls & Instruments: Light switch; windshield wiper-washer switch; headlight beam control; speedometer; odometer; ammeter; fuel gauge; engine temperature gauge; oil pressure gauge; high beam indicator light; direction signal lights; fuel shut-off & emergency engine stop controls; brake warning light; ignition switch with accessory position
Direction Signals: Class A; two front & two rear; includes integral hazard warning switch
Engine: 3-53N Diesel, 3 cylinders
 Gross horsepower 82 @ 2500 rpm
 Net horsepower 76 @ 2500 rpm
 Gross torque, lb-ft 193 @ 1500 rpm
 Net torque, lb-ft 188 @ 1500 rpm
Exhaust System: Single pipe and aluminized muffler
Filter, Fuel: Two; replaceable elements
Filter, Oil: Full-flow; replaceable element; capacity 2 quarts
Frame: 39,000-lb-test steel; section modulus 5.05 (PT308-310 models); 7.29 (PT314 models)

Generator: 42-amp Delcotron
Governor: 2500 rpm max
GVW Plate: 10,000 lb
Heater & Defroster: Deluxe-Air
Lights: Two headlights; two Class A front combination parking/direction signals; two Class A rear combination tail/stop/direction signals; two front side marker; two rear side marker; five front identification & clearance; five rear identification & clearance; two backup; two license; instrument panel & dome
Mirror, Rearview: Exterior RH & LH 7 1/2" fixed arm
Seat: Driver only; vinyl trim
Shock Absorbers: Front and rear; piston diameter 1"
Springs, Front: Coil; capacity 2000 lb each at ground
Springs, Rear: Leaf; capacity 3100 lb each at ground
Stabilizer Bar: Front and rear
Steering: Ball-gear, ratio 27.7:1; wheel dia 19"
Tank, Fuel: Outside RH frame rail; capacity approx 30 gallons
Tires: Four tubeless 8-16.5/8PR nylon front and 8-16.5/10PR single rear
Tools: Wheel wrench
Transmission: New Process 435 CR 4-speed; ratios 4.56, 2.28, 1.31, 1.00, 5.64 (rev); SAE 6-bolt power take-off opening on RH side
Wheels: Four 16.5" x 6.0"; attachment, 8 studs on 6 1/2" circle. Four hub caps
Windshield Wipers & Washer: Electric; 2-speed wipers

GVW SELECTOR

GVW Rating (lb)	Chassis Equipment Required for GVW Rating
7700	Standard
10,000♦	4150-lb ea rear spring

♦ GVW rating shown on vehicle rating plate; ratings are increased or decreased in accordance with the minimum equipment shown in the chart

Note: Be sure to recommend adequate springs and tires for total axle loads. See Optional Equipment and Tire & Wheel Combination pages.

P30 SERIES—DIESEL (7700—10,000-lb GVW Ratings)

1969 MODELS WITH STANDARD EQUIPMENT

Model & Type	Wheel-base	Factory D & H	List Price	Mfr's Sgt'd Dealer NVPC*	Mfr's Sgt'd Retail Price*	Desti-nation Charge & Group Number	Total
3-Cylinder 82-hp High Torque 3-53N Engine							
●PT30835 Step-Van King (10-ft)	125"	\$407.00	\$5326.00	\$40.00	\$5773.00	41	
PT30842 Forward-Control Chassis	125"	287.00	3693.00	40.00	4020.00	15	
●PT30855 Step-Van King (10-ft) Aluminum	125"	462.00	6059.00	40.00	6561.00	41	
●PT31035 Step-Van King (12-ft)	137"	415.00	5431.00	40.00	5886.00	41	
PT31042 Forward-Control Chassis	137"	289.00	3723.00	40.00	4052.00	15	
●PT31055 Step-Van King (12-ft) Aluminum	133"	482.00	6330.00	40.00	6852.00	41	
●PT31435 Step-Van King (14-ft)	157"	425.00	5568.00	40.00	6033.00	41	
PT31442 Forward-Control Chassis	157"	291.00	3758.00	40.00	4089.00	15	
●PT31455 Step-Van King (14-ft) Aluminum	157"	504.00	6621.00	40.00	7165.00	41	

* Manufacturer's Suggested Dealer New Vehicle Preparation Charge.

★ Manufacturer's Suggested Retail Prices do not include state and local taxes, license fees, options or accessories.

● All Step-Van chassis will be shipped to Union City Body Co. where all body work will be done. These units will be serviced and conditioned for highway travel after body is installed. A conditioning charge of \$10.00 will be added.

OPTIONS AND ACCESSORIES WHEN INSTALLED BY CHEVROLET

Description	Option Number	Factory D & H	List Price	Mfr's Suggested Retail Delivered Price◇
Brakes:				
Parking; drum type	J76	\$ 1.90	\$ 25.00	\$ 26.90
Vacuum Power	J70	11.40	150.00	161.40
Carrier, Spare Wheel: (Under frame)	P10	.70	8.75	9.45
Jack: Mechanical; capacity 4000-lb (With single rear wheels)	V62	.85	11.00	11.85
Mechanical; capacity 4700-lb (With dual rear wheels)	V62	1.00	13.00	14.00
Shock Absorbers: Heavy-duty; piston dia 1 3/8"				
Front and rear	F51	1.15	15.00	16.15
Rear	G68	.65	8.00	8.65
Speed Warning Indicator	U15	.95	12.00	12.95
Springs:				
Rear; Main & auxiliary type; capacity 4150-lb each	G60	2.70	35.00	37.70
Steering, Power	N40	15.20	200.00	215.20
Tachometer: Not available on Forward-Control Chassis models	U16	3.75	49.00	52.75
Tires and Wheels: See Tire & Wheel section				

◇ State and local taxes not included.

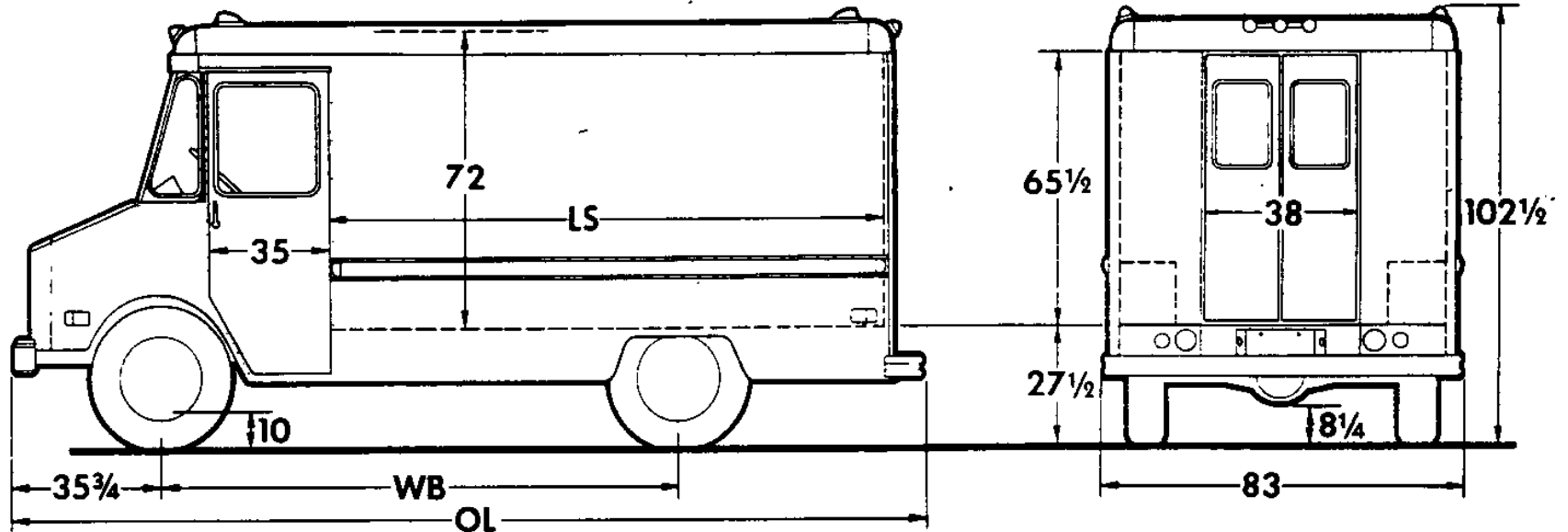
SERIES P30 STEP-VAN KING ALUMINUM—DIESEL

GVW Ratings up to 10,000 lb

SERIES P30—STEP-VAN KING ALUMINUM

- PT30855** Step-Van King Aluminum
- PT31055** Step-Van King Aluminum
- PT31455** Step-Van King Aluminum

DIMENSIONS (With std equipment, unloaded)



Models	Dimensions (in)			Curb Weights (lb)			Body-Payload Wt. Dist.*	
	WB	OL	LS	Front	Rear	Total	Front	Rear
PT30855	125	219½	122	2710	2742	5452	9%	91%
PT31055	133	243½	146	2814	2727	5541	6%	94%
PT31455	157	267½	170	2865	2858	5723	12%	88%

*Estimate based on water-level loading

Body Dimensions

Models	Body Type	LS (in)	Width (in)	Height (in)	Cubic Capacity (cu ft)
PT30855	Standard.....	123.5	77½	72	375
	Standard body with optional interior height.....	123.5	77½	76	397
	Optional body extension with standard interior height.....	129.5	77½	72	394½
	Optional body extension with optional interior height.....	129.5	77½	76	417½
PT31055	Standard.....	147.5	77½	72	450
	Standard body with optional interior height.....	147.5	77½	76	476
	Optional body extension with standard interior height.....	153.5	77½	72	469½
	Optional body extension with optional interior height.....	153.5	77½	76	496¾
PT31455	Standard.....	171.5	77½	72	525
	Standard body with optional interior height.....	171.5	77½	76	555
	Optional body extension with standard interior height.....	177.5	77½	72	544½
	Optional body extension with optional interior height.....	177.5	77½	76	576

SERIES P30 FC CHASSIS—DIESEL

STANDARD EQUIPMENT

Air Cleaner: Dual oil-bath; capacity 1 quart
Axle, Front: Independent type; capacity 3500 lb
Axle, Rear: Hypoid full-floating type; ratio 4.10; capacity 7200 lb
Battery: 12-volt, 114-plate; capacity 150 amp-hr
Brakes, Service: Hydraulic; self-adjusting; dual system
 Sizes: front 11" x 2¾"; rear 13" x 2½"
 Effective area: drum 395 sq in; lining 252 sq in
Brake, Parking: Cable to rear wheels; area 132 sq in; Orscheln-type lever
Bumper: Front only, painted
Clutch: Diameter 12"; area 150 sq in
Cooling: 1.98" radiator core, cross-flow type; 446-sq-in area; 13-lb pressure cap
Controls & Instruments: Light switch; headlight beam control; speedometer; odometer; ammeter; fuel gauge; engine temperature gauge; oil pressure gauge; high beam indicator light; direction signal lights; fuel shut-off & emergency engine stop controls; brake warning light; ignition switch with accessory position
Direction Signals: Includes Freeway lane-change position on switch and integral hazard warning switch. Wiring and lights furnished loose
Engine: 3-53N Diesel, 3 cylinders
 Gross horsepower 82 @ 2500 rpm
 Net horsepower 76 @ 2500 rpm
 Gross torque, lb-ft. 193 @ 1500 rpm
 Net torque, lb-ft. 188 @ 1500 rpm
Exhaust System: Single pipe and aluminized muffler
Filter, Fuel: Two; replaceable elements

Filter, Oil: Full-flow; replaceable element; capacity 2 quarts
Frame: 39,000-lb-test steel; section modulus 5.05 (PT308-310 models); 7.29 (PT314 models)
Generator: 42-amp Delcotron
Governor: 2500 rpm max
GVW Plate: 10,000 lb
Lights: Furnished in loose parts box—misc. wiring; two headlights; two Class A front combination parking/direction signals; two Class A rear combination tail/stop/direction; two license; instrument panel
Shock Absorbers: Front and rear; piston diameter 1"
 ➔ **Springs, Front:** Coil; capacity 2000 lb each at ground
Springs, Rear: Leaf; capacity 3100 lb each at ground
Stabilizer Bar: Front and rear
Steering: Ball-gear, ratio 27.7:1; wheel dia 19"
Tank, Fuel: Outside RH frame rail; capacity approx 30 gallons
Tires: Four tubeless 8-16.5/8PR nylon front and 8-16.5/10PR single rear
Tools: Wheel wrench
Transmission: New Process 435CR 4-speed; ratios 4.56, 2.28, 1.31, 1.00, 5.64 (rev); SAE 6-bolt power take-off opening on R.H. side
Wheels: Four 16.5" x 6.0"; attachment, 8 studs on 6½" circle. Four hub caps

GVW SELECTOR

GVW Rating (lb)	Chassis Equipment Required for GVW Rating
7700	Standard
10,000♦	4150-lb ea rear spring

♦ GVW rating shown on vehicle rating plate; ratings are increased or decreased in accordance with the minimum equipment shown in the chart

Note: Be sure to recommend adequate springs and tires for total axle loads. See Optional Equipment and Tire & Wheel Combination pages.

➔ Indicates change

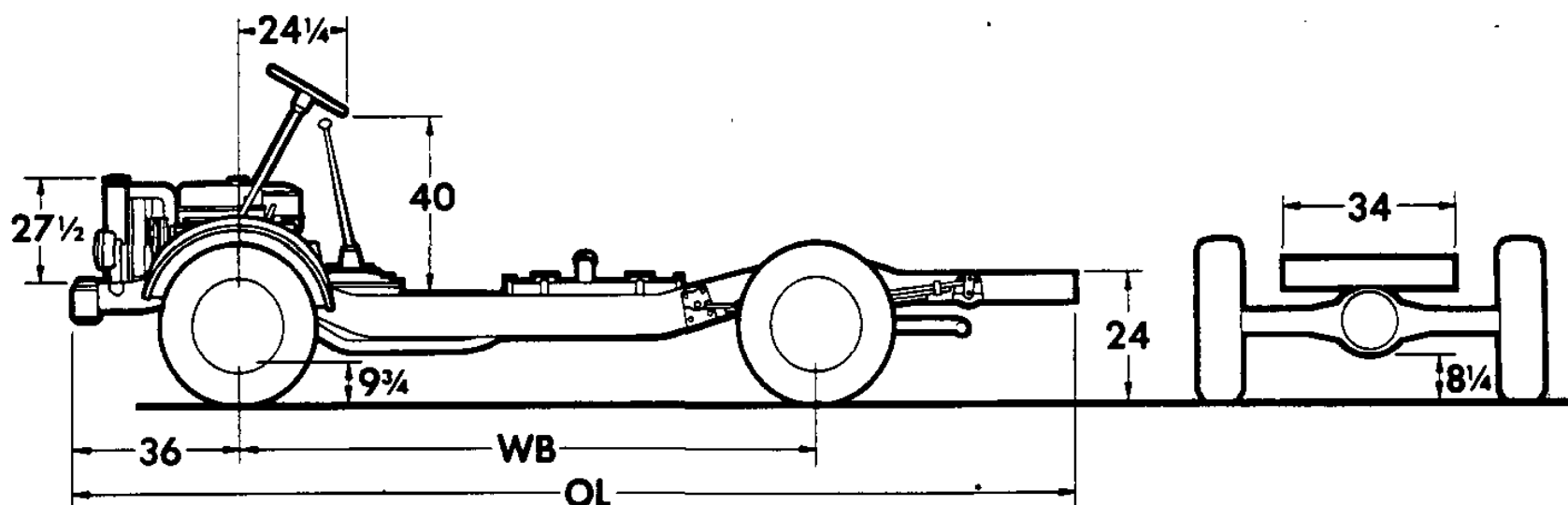
SERIES P30 FC CHASSIS—DIESEL

GVW Ratings up to 10,000 lb

SERIES P30—FC CHASSIS

- PT30842 FC Chassis
- PT31042 FC Chassis
- PT31442 FC Chassis

DIMENSIONS (With std equipment, unloaded)



Models	Dimensions (in)		Curb Weights (lb)			Body-Payload Wt. Dist.	
	WB	OL	Front	Rear	Total	Front	Rear
PT30842	125	220	2307	1418	3725	Determined by style, length & weight of body.	
PT31042	133	228	2360	1384	3744		
PT31442	157	252	2413	1449	3862		

SERIES P30 STEP-VAN KING—DIESEL

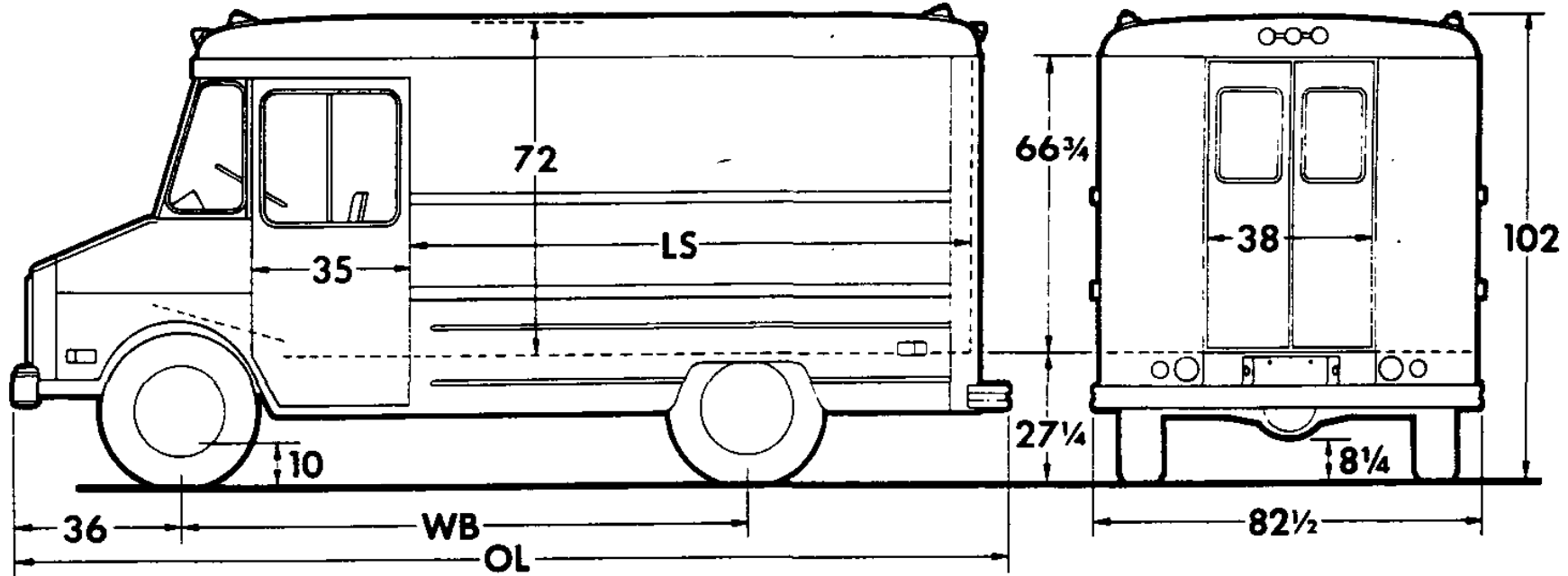
GVW Ratings up to 10,000 lb

SERIES P30—STEP-VAN KING

- PT30835** Step-Van King
- PT31035** Step-Van King
- PT31435** Step-Van King

DIMENSIONS

(With std equipment, unloaded)



★★ 40.0 with dual rear tires

Models	Dimensions (in)			Curb Weights (lb)			Body-Payload Wt. Dist.*	
	WB	OL	LS	Front	Rear	Total	Front	Rear
PT30835	125	219½	122	2983	3132	6115	9%	91%
PT31035	133	243½	146	3224	3121	6345	6%	94%
PT31435	157	267½	170	3346	3340	6686	12%	88%

*Estimate based on water-level loading

Body Dimensions

Models	Body Type	LS (in)	Width (in)	Height (in)	Cubic Capacity (cu ft)
PT30835	Standard.....	122	77½	72	375
	Standard body with optional interior height.....	122	77½	76	397
	Optional body extension with standard interior height.....	128	77½	72	394½
	Optional body extension with optional interior height.....	128	77½	76	417½
PT31035	Standard.....	146	77½	72	450
	Standard body with optional interior height.....	146	77½	76	476
	Optional body extension with standard interior height.....	152	77½	72	469½
	Optional body extension with optional interior height.....	152	77½	76	496¾
PT31435	Standard.....	170	77½	72	525
	Standard body with optional interior height.....	170	77½	76	555
	Optional body extension with standard interior height.....	176	77½	72	544½
	Optional body extension with optional interior height.....	176	77½	76	576

TUBE-TYPE TIRES (Factory Installed)

Tire Size and Type	Rim Width Included In Tire Option	Option Number	Factory D & H	List Price	Mfr's Suggested Retail Delivered Price [⊕]
<p>→ Dealer Note: When dual rear tires are specified, the following equipment will be applied to the order as shown in the dual rear tire portion of the order form.</p> <p>THIS EQUIPMENT IS NOT PRICED IN THE TIRE OPTION AND WILL REFLECT ON THE INVOICE IN THE FOLLOWING MANNER:</p> <p>Includes dual rear chassis provisions and 4.57 ratio 7200-lb rear axle when 350 engine with Chevrolet 4-speed or Turbo Hydra-Matic transmission is ordered on PE30 models. Also includes 5.14 ratio 7200-lb rear axle when 350 engine with New Process 4-speed close-ratio transmission or 250, 292 or 307 engine is ordered on PS-PE30 models.</p>					
		R05	N.C.	N.C.	N.C.
6.50-16/6PR Maximum Tire Capacity—Front (1610) Dual Rear (1420)					
—Highway Nylon	(2) Front	5.50 R65	N.C.	N.C.	N.C.
	(4) Dual rear	5.50 R65	\$ 9.80	\$102.00	\$111.80
	(1) Spare	5.50 R65	6.15	62.00	68.15
7.00-16/6PR Maximum Tire Capacity—Front (1800) Dual Rear (1580)					
—Highway Nylon	(2) Front	5.50 R78	N.C.	N.C.	N.C.
	(4) Dual rear	5.50 R78	11.45	106.00	117.45
	(1) Spare	5.50 R78	6.70	65.00	71.70
—On-Off-Road Nylon	(4) Dual rear	5.50 R71	14.45	149.00	163.45
	(1) Spare	5.50 R71	7.50	76.50	84.00
→ 7.50-16/6PR Maximum Tire Capacity—Front (2060) Rear (2060) Dual Rear (1815)					
—Highway Nylon	(2) Front (With Single Rear Wheels)	6.00 R67	1.35	17.50	18.85
	(2) Front (With Rear Dual Wheels)	5.50 R67	1.35	17.50	18.85
	(2) Rear (Single Rear Wheels)	6.00 R67	1.40	14.00	15.40
	(4) Dual rear	5.50 R67	15.45	147.50	162.95
	(1) Spare	5.50 R67	7.60	74.00	81.60
—On-Off-Road Nylon	(2) Rear (Single Rear Wheels)	6.00 RM7	3.20	35.50	38.70
	(4) Dual Rear	5.50 RM7	19.10	191.50	210.60
	(1) Spare (with Single Rear Wheels)	6.00 RM7	8.50	85.00	93.50
	(1) Spare (with Dual Rear Wheels)	5.50 RM7	8.50	85.00	93.50
→ 7.50-16/8PR Maximum Tire Capacity—Front (2440) Rear (2440) Dual Rear (2140)					
—Highway Nylon	(2) Front (With Single Rear Wheels)	6.00 R68	2.15	26.00	28.15
	(2) Front (With Dual Rear Wheels)	5.50 R68	2.15	26.00	28.15
	(2) Rear (Single Rear Wheels)	6.00 R68	1.50	14.00	15.50
	(4) Dual rear	5.50 R68	16.75	162.00	178.75
	(1) Spare (With Single Rear Wheels)	6.00 R68	7.90	77.00	84.90
	(1) Spare (With Dual Rear Wheels)	5.50 R68	7.90	77.00	84.90
—On-Off-Road Nylon	(2) Rear (Single Rear Wheels)	6.00 RM8	3.40	38.00	41.40
	(4) Dual Rear	5.50 RM8	20.60	210.00	230.60
	(1) Spare (with Single Rear Wheels)	6.00 RM8	8.85	89.00	97.85
	(1) Spare (with Dual Rear Wheels)	5.50 RM8	8.85	89.00	97.85
→ 7.50-16/10PR Maximum Tire Capacity—Front (2780) Rear (2780)					
—Highway Nylon	(2) Front	6.00 RM5	3.75	45.00	48.75
	(2) Rear	6.00 RM5	3.30	35.50	38.80
	(1) Spare	6.00 RM5	8.95	90.00	98.95
—On-Off-Road Nylon	(2) Rear	6.00 RM6	5.10	55.00	60.10
	(1) Spare	6.00 RM6	10.25	104.50	114.75
7.00-18/8PR Maximum Tire Capacity—Front (2440) Dual Rear (2140)					
—Highway Nylon	(6) Front dual rear	5.00 R90	23.50	238.00	261.50
	(1) Spare	5.00 R90	9.40	95.00	104.40

⊕ State and local taxes not included.

→ Indicates change

P30 SERIES

WIDE BASE TUBELESS TIRES (Factory Installed)

Tire Size and Type	Rim Width Included In Tire Option	Option Number	Factory D & H	List Price	Mfr's Suggested Retail Delivered Price [◇]
<p>➔ Dealer Note: When dual rear tires are specified, the following equipment will be applied to the order as shown in the dual rear tire portion of the order form.</p> <p>THIS EQUIPMENT IS NOT PRICED IN THE TIRE OPTION AND WILL REFLECT ON THE INVOICE IN THE FOLLOWING MANNER:</p> <p>Includes dual rear chassis provisions and 4.57 ratio 7200-lb rear axle when 350 engine with Chevrolet 4-speed or Turbo Hydra-Matic transmission is ordered on model PE30. Also includes 5.14 ratio 7200-lb rear axle when 350 engine with New Process 4-speed close-ratio transmission or 250, 292 or 307 engine is ordered on models PS-PE30.</p>					
		ROS	N.C.	N.C.	N.C.
*8.00-16.5/8PR Maximum Tire Capacity—Front (1730) Dual Rear (1520)					
—Highway Nylon	(2) Front (Use with dual rear wheels only).....	6.00 R70	N.C.	N.C.	N.C.
	(4) Dual rear.....	6.00 R70	\$12.90	\$116.00	\$128.90
	(1) Spare.....	6.00 R70	7.35	71.00	78.35
—On-Off-Road Nylon	(4) Dual rear.....	6.00 RQ2	15.05	152.00	167.05
	(1) Spare.....	6.00 RQ2	7.85	80.00	87.85
*8.00-16.5/8PR Maximum Tire Capacity—Front (2045) Dual Rear (1800)					
—Highway Nylon	(2) Front.....	6.00 Std	N.C.	N.C.	N.C.
	(4) Dual rear when 8.00-16.5/6PR Tires are ordered on front.....	6.00 RP3	15.65	150.00	165.65
	(4) Dual rear when 8.00-16.5/8PR Tires are ordered on front.....	6.00 RP3	16.25	158.00	174.25
	(1) Spare with Single rear wheels.....	6.00 RP3	7.70	75.00	82.70
	(1) Spare with Dual rear wheels.....	6.00 RP3	8.00	79.00	87.00
—On-Off-Road Nylon	(4) Dual rear when 8.00-16.5/6PR Tires are ordered on front.....	6.00 RQ3	17.85	190.00	207.85
	(4) Dual rear when 8.00-16.5/8PR Tires are ordered on front.....	6.00 RQ3	18.45	198.00	216.45
	(1) Spare with Single rear wheels.....	6.00 RQ3	8.25	85.00	93.25
	(1) Spare with Dual rear wheels.....	6.00 RQ3	8.55	89.00	97.55
8.00-16.5/10PR Maximum Tire Capacity—Front (2330) Dual Rear (2050)					
—Highway Nylon	(2) Front (Use with dual rear wheels only).....	6.00 RP4	.95	16.00	16.95
	(2) Rear (Single rear wheels).....	6.00 Std	N.C.	N.C.	N.C.
	(4) Dual rear when 8.00-16.5/6PR or 10PR Tires are ordered on front.....	6.00 RP4	17.45	182.00	199.45
	(4) Dual rear when 8.00-16.5/8PR Tires are ordered on front.....	6.00 RP4	18.10	190.00	208.10
	(1) Spare with Single rear wheels.....	6.00 RP4	8.15	83.00	91.15
	(1) Spare with Dual rear wheels.....	6.00 RP4	8.45	87.00	95.45
8.75-16.5/8PR Maximum Tire Capacity—Front (2350) Rear (2350)					
—Highway Nylon	(2) Front.....	6.75 RP6	1.35	16.00	17.35
	(2) Rear.....	6.75 RP6	N.C.	N.C.	N.C.
	(1) Spare.....	6.75 RP6	8.35	83.00	91.35
—On-Off-Road Nylon	(2) Rear.....	6.75 RQ4	1.50	20.00	21.50
	(1) Spare.....	6.75 RQ4	8.90	93.00	101.90
9.50-16.5/8PR Maximum Tire Capacity—Front (2780) Rear (2780)					
—Highway Nylon	(2) Front.....	6.75 RP9	3.90	42.00	45.90
	(2) Rear.....	6.75 RP9	2.55	20.00	22.55
	(1) Spare.....	6.75 RP9	9.60	96.00	105.60
—On-Off-Road Nylon	(2) Rear.....	6.75 RQ5	3.25	40.00	43.25
	(1) Spare.....	6.75 RQ5	10.00	106.00	116.00

◇ State and local taxes not included.

★ Available only when dual rear tire equipment is ordered.

➔ Indicates change

WIDE BASE TUBELESS TIRES (Factory Installed)

TUBELESS TIRES (Factory Installed)

Tire Size and Type	Rim Width Included in Tire Option	Option Number	Factory D & H	List Price	Mfr's. Suggested Retail Delivered Price [◇]
<p>➔ Dealer Note: When dual tires are specified, the following equipment will be applied to the order as shown in the dual rear tire portion of the order form.</p> <p>THIS EQUIPMENT IS NOT PRICED IN THE TIRE OPTION AND WILL REFLECT ON THE INVOICE IN THE FOLLOWING MANNER:</p> <p>Includes dual rear chassis provisions and 4.57 ratio 7200-lb rear axle when 350 engine with Chevrolet 4-speed or Turbo Hydra-matic transmission is ordered on model PE30. Also includes 5.14 ratio 7200-lb rear axle when 350 engine with New Process 4-speed close-ratio transmission or 250, 292 or 307 engine is ordered on models PS-PE30..... R05</p>					
<p>★8-19.5/8PR Maximum Tire Capacity—Front (2780) Dual Rear (2440)</p>			N.C.	N.C.	N.C.
—Highway Nylon	(2) Front	5.25 R98	\$ 4.25	\$ 42.00	\$ 46.25
	(4) Dual rear	5.25 R98	23.50	226.00	249.50
	(1) Spare	5.25 R98	10.10	100.00	110.10
—On-Off-Road Nylon	(4) Dual rear	5.25 R97	28.95	282.00	310.95
	(1) Spare	5.25 R97	11.45	114.00	125.45
<p>★8-19.5/10PR Maximum Tire Capacity—Front (3140) Dual Rear (2760)</p>					
—Highway Nylon	(2) Front	5.25 R99	6.95	86.00	92.95
	(4) Dual rear	5.25 R99	28.95	314.00	342.95
	(1) Spare	5.25 R99	11.45	122.00	133.45

SPARE WHEELS

Wheel Type	Option No.	Factory D & H	List Price	Mfr's. Suggested Retail Delivered Price [◇]
<i>For tubeless tires</i>				
16.5 x 6.00;				
With single rear tires.....	QE6	\$.80	\$10.00	\$10.80
With dual rear tires.....	QE6	1.10	14.00	15.10
16.5 x 6.75.....	QE7	.80	10.00	10.80
19.5 x 5.25.....	Q36	1.90	25.00	26.90
<i>For tube-type tires</i>				
16 x 5.50.....	S76	1.30	17.00	18.30
➔ 16 x 6.00.....	Q20	1.30	17.00	18.30
➔ 18 x 5.00.....	Q31	1.45	19.00	20.45

◇ State and local taxes not included.

★ Available only when 11,000-lb rear axle is ordered.

➔ Indicates change

NOTES