

CHEVROLET

Suburban

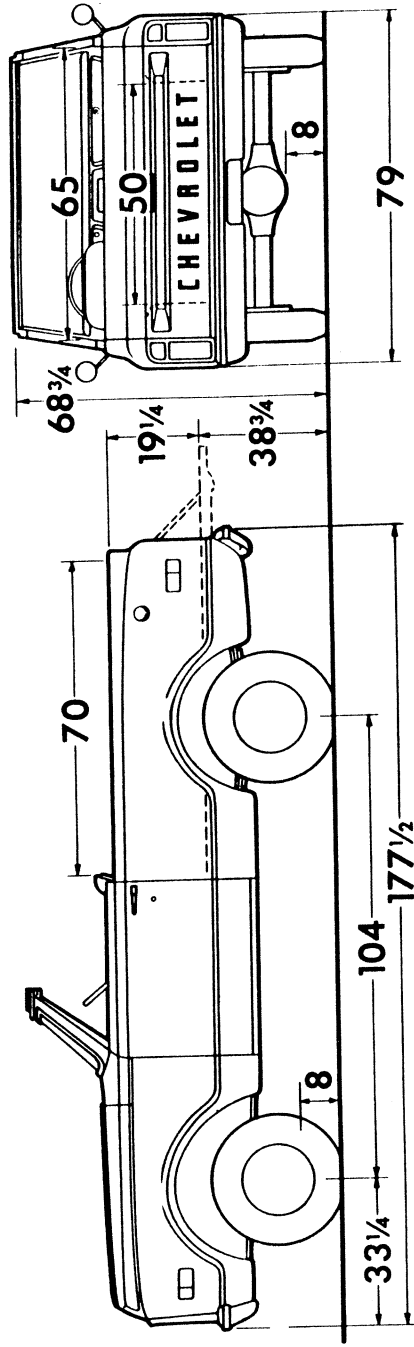
1969

V8 Models

KE10514 Utility

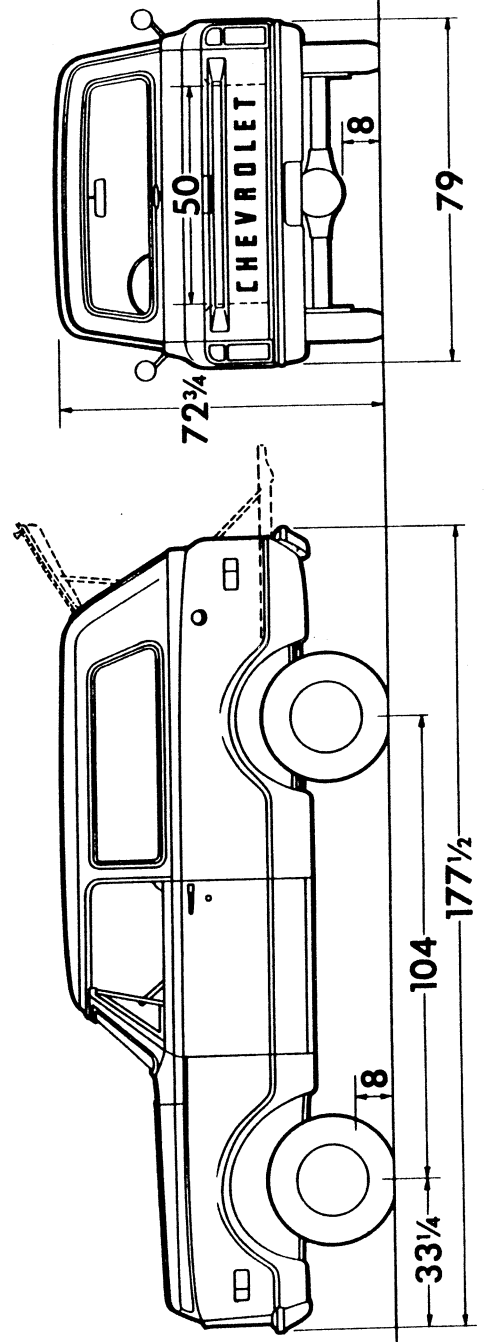
Six-Cylinder Models

KS10514 Utility



Models	Dimensions (in)★			Curb Weights (lb)			Payload Wt. Dist.*	
	WB	UL	OL	Front	Rear	Total	Front	Rear
KS10514	104	70	177 1/2	2076	1632	3708	2%	98%
KE10514	104	70	177 1/2	2185	1649	3834		

* Estimate based on water-level loading. ★ Dimensions with std equipment, unloaded.



Model Shown with optional top

→ **Filter, Fuel:** Plastic mesh in fuel tank
 KS10: Popen type in carburetor
 KE10: Sintered bronze in carburetor

Filter, Oil: KS10: full-flow; 1-quart; throwaway type
 KE10: full-flow; 1-quart; replaceable element

Floor Mat: Front compartment; black, embossed rubber

Frame: 39,000-lb-test steel; section modulus 2.70

Fuel Pump: Single action

Generator: 37-amp Delcotron

GVW Plate: 5000 lb

Heater & Defroster: Deluxe-Air

Lights & Reflectors:

Two headlights; two Class A front combination parking/direction signals; two Class A rear combination tail/stop/direction signals; two front and two rear side marker reflectors; two backup; one license; instrument panel

Mirror, Rearview: Exterior RH & LH 6 1/4" fixed arm and inside 10" vinyl-edged prismatic

Seat: Driver only; full foam cushion; vinyl trim (heavy-duty Panel type)

Seat Belt: Driver only; includes retractors

Shock Absorbers: Front & rear; piston diameter 1"

Springs, Front: Tapered-leaf; capacity 1450 lb each
Springs, Rear: Two-stage, combination multi-leaf & tapered-leaf; capacity 1800 lb each

Steering: Ball-gear, ratio 24:1, wheel, oval 17 1/2" x 17", 2-spoke with water-proofed horn button

Tank, Fuel: Inside frame at rear; capacity approximately 23.5 gal

Tires: Five tubeless 7.35-15/4PR front, single rear and spare

Tools: 2500-lb mechanical jack; wheel wrench

Transfer Case: Dana #20, 2-speed; ratios 2.03 & 1.00; power take-off opening on bottom, single control lever

Transmission: 3-speed fully synchronized; steering column gearshift; ratios 2.85, 1.68, 1.00, 2.95 (rev)

Wheels: Five 15" x 5 1/2"; attachment, 6 studs on 5 1/2" circle; spare carrier inside LH cargo area behind front seat

Windshield Wipers & Washer: Electric; 2-speed wipers

Axle, Front: Hypoid, ratio 3.73; capacity 3300 lb
 40° (degree) turn angle; yoke and trunion universal joints

Axle, Rear: Hypoid semi-floating type; ratio 3.73; capacity 3300 lb

Battery: 12-volt, 54-plate; capacity 53 amp-hr

Body: Open Utility

Brakes, Services: Hydraulic; self-adjusting; dual system

Sizes: front 11" x 2"; rear 11" x 2"

Effective area: drum 276 sq in; lining 167 sq in

Brake, Parking: Cable to rear wheels; area 83 sq in; foot operated

Bumper: Front & rear, painted

Carburetor: KS10: single-barrel downdraft

KE10: two-barrel downdraft

Clutch: KS10: diameter 10"; area 100 sq in

KE10: diameter 11"; area 124 sq in

Cooling: KS10: 1 1/4" radiator core, cross-flow type; 446-sq-in area; 13-lb pressure cap

KE10: 1 1/4" radiator core, cross-flow type; 480-sq-in area; 13-lb pressure cap

Controls & Instruments: Water-proofed instrument cluster with light switch; windshield wiper-washer switch; speedometer; odometer; fuel gauge. Lights for generator, oil pressure, engine temperature, brake warning, direction signals and high beam indicator. Water-proofed ignition switch with accessory position and headlight beam control

Direction Signals: Class A; two front and two rear. Includes freeway lane-change position on switch & integral hazard warning switch

* **Engine:** KS10: 250 Six; closed positive crankcase ventilation; exhaust emission control

Gross horsepower 155 @ 4200 rpm

Net horsepower 120 @ 3800 rpm

Gross torque, lb-ft 235 @ 1600 rpm

Net torque, lb-ft 210 @ 2000 rpm

KE10: 307 V8; closed positive crankcase ventilation; exhaust emission control

Gross horsepower 200 @ 4600 rpm

Net horsepower 150 @ 4000 rpm

Gross torque, lb-ft 300 @ 2400 rpm

Net torque, lb-ft 255 @ 2000 rpm

* Rating shown with exhaust emission controls
Exhaust Emission Control Equipment: See *Engine & Clutch* section for types used

GVW SELECTOR

GVW Rating (lb)	Chassis Equipment Required for GVW Rating
5000	

Note: Be sure to recommend adequate springs and tires for total axle loads. See *Optional Equipment* and

Model & Type	Wheel-base	Factory D & H	List Price	Dealer NVPC*	Sgt'd Retail Price*	Charge & Group Number	Total
6-Cylinder 155-hp High Torque 250 Engine							
KS10514 Utility.....104"		\$155.00	\$2672.00	\$25.00	\$2852.00	44	
8-Cylinder 200-hp High Torque 307 Engine							
KE10514 Utility.....104"		160.00	2762.00	25.00	2947.00	44	

* Manufacturer's Suggested Dealer New Vehicle Preparation Charge.
 ★ Manufacturer's Suggested Retail Prices do not include state and local taxes, license fees, options or accessories.

OPTIONS & ACCESSORIES WHEN INSTALLED BY CHEVROLET

Description	Option Number	Factory D & H	List Price	Mfr's Suggested Retail Delivered Price
POWER TEAMS & AXLES				
Engine: 350 V8. Includes 4-barrel carburetor, 3.07 ratio rear axle and 12" clutch. Available only when 4-speed or Turbo Hydra-matic transmission is ordered.	LS9	\$ 1.90	\$ 35.00	\$ 36.90
Transmission: Turbo Hydra-matic. Includes 3.07 ratio on KE10 models and H.D. radiator. It available when air cleaner or governor is ordered.	M49	11.45	215.00	226.45
Chevrolet 4-speed. Includes 3.07 ratio when 350 engine is ordered.	M20	4.80	90.00	94.80

OTHER OPTIONS

Air Cleaner: Oil-bath; capacity 1 quart. Not available on KE10 models when Turbo Hydra-matic transmission is ordered.	K48	.55	10.00	10.55
Air Cleaner, Heavy-Duty: Includes oil-bath pre-cleaner. Not available on KE10 models when Turbo Hydra-Matic is ordered.	K46	2.95	55.00	57.95
Air Conditioning: Available only when auxiliary top is ordered. Includes H.D. radiator and 42 amp generator.	C60	19.45	365.00	384.45
Battery: Auxiliary. Not available when H.D. air cleaner is ordered.	TP2	2.15	40.00	42.15
Heavy-duty; 66-plate, 70-amp-hr.	T60	.40	7.00	7.40
Belts, Seat: Installed for third passenger. Available only when rear seat is ordered.	A68	.35	6.00	6.35
Belts, Shoulder: Available only when auxiliary top is ordered Driver only; not available when passenger seat is specified.	A85	.70	12.50	13.20
Driver and passenger; available only when passenger seat is ordered.	A85	1.35	25.00	26.35
Rear seat; LH & RH passenger only. Available only when rear seat is ordered.	AS5	1.35	25.00	26.35
Brakes: Vacuum Power.	J70	2.25	42.00	44.25

Description	Option Number	Factory D & H	List Price	Mfr's Suggested Retail Delivered Price
Bumper:				
<i>Painted:</i> Rear step				
Without Custom Sport Truck	V43	\$ 1.25	\$ 23.00	\$ 24.25
With Custom Sport Truck	V43	.55	10.00	10.55
<i>Chromed:</i>				
Front and rear, included when Custom Sport Truck is ordered	V37	1.40	26.00	27.40
Front; with rear step bumper only. Not available when Custom Sport Truck is ordered	V46	.70	13.00	13.70
Front and rear, included when Custom Sport Truck is ordered	P03	.70	13.00	13.70
Caps, Hub: Chromed; not available when 10-16.5/6 PR tires are ordered				
Clutch, HD: Diameter 11". Available on 250 engine with std 3-speed transmission only. Included when 4-speed transmission or 307 engine is ordered.	M01	.30	5.50	5.80
Cooling:				
<i>HD radiator only;</i> included when air conditioning or automatic transmission is ordered	V01	1.10	20.00	21.10
<i>HD radiator and extra-HD cooling equipment.</i>	V05	2.30	43.00	45.30
Custom Moldings:				
Bright Lower Body Side Moldings. Includes bright metal fender, door, body side, tail light and back-up light moldings and bright fuel filler cap. Included when Custom Sport Truck is ordered.	BX2	2.15	40.00	42.15
Custom Sport Truck:				
Includes bucket seats; console; RH sunshade and armrest; cigar lighter; CST emblems; special insulation; undercoating; chromed bumpers; bright control knob and pedal trim; bright windshield, body side, tail gate, tail light and back-up light moldings, bright fuel filler cap, side marker reflectors and bright transfer case shift lever				
<i>With auxiliary top with rear seat</i>				
also includes bright vent window molding; embossed vinyl door and body trim panels with bright upper retainers and front & rear color-keyed carpeting	Z84	18.10	340.00	358.10
<i>With auxiliary top without rear seat</i>				
also includes bright vent window molding; embossed vinyl door and body trim panels with bright upper retainers; front color-keyed carpeting and rear color-keyed vinyl coated rubber floor mat	Z84	18.10	340.00	358.10
<i>Without auxiliary top</i>				
also includes front color-keyed vinyl coated rubber floor mat	Z84	14.90	280.00	294.90

Number	Price	Delivered Price
Filter, Fuel	K28	
Gauges:		
Ammeter, engine temperature & oil pressure.....	Z53	10.55
Tachometer, ammeter, engine temperature and oil pressure.....	U16	49.00
Generator, Alternating Current:		
42-amp Delcoiron; included when air conditioning is ordered.....	K79	20.00
61-amp Delcoiron.....	K76	28.00
62-amp Delcoiron.....	K81	83.00
Glass, Door: Frameless drop glass windows and framed vent window glass. Included when auxiliary top is ordered.		
With Custom Sport Truck Equipment; also includes chrome vent moldings... A09		50.00
Without Custom Sport Truck Equipment..... A09		40.00
Glass, Soft-Ray:		
All windows; available only when auxiliary top or door glass is ordered..... A11		19.00
Windshield only..... AA2		14.00
Governor: Not available when automatic transmission or 350 V8 engine is ordered. Includes manual choke.		
For 250 engine—1800-3000 rpm (low rpm setting)..... K37		17.00
—2800-4000 rpm (high rpm setting)..... K38		17.00
For 307 engine—2300-3100 rpm (low rpm setting)..... K37		17.00
—2800-4100 rpm (high rpm setting)..... K38		17.00
Guards: Door edge..... B93		3.50
Heater, Engine Block K05		10.00
Hooks, Towing: Two, front. Not available when chromed bumper or Custom Sport Truck is ordered..... V76		16.00
Hubs, Free-Wheeling: Manual control at hubs..... F76		73.00
Lamps:		
Courtesy..... U29		6.00
Side Marker..... UB3		10.00
Lock: For spare wheel carrier..... A97		6.00
Mirrors, Exterior: Replaces standard RH & LH mirrors		
Below-Eye-Line type..... D29		18.50
7.5" x 10.5" painted..... DG4		31.00
7.5" x 10.5" stainless steel.....		
Paint, Exterior: See Color & Trim Chart		
Solid color.....		
Radio: Pushbutton..... U63		58.00
Seats, Front:		
Auxiliary One-Passenger. Includes RH sunshade, armrest and seat belt. Not available when bucket seats or Custom Sport Truck is ordered..... AN3		66.00
Bucket Driver & Passenger. Includes console, RH sunshade, armrest and seat belt. Included when Custom Sport Truck is ordered		
With auxiliary top; also includes front compartment color-keyed carpeting A50		170.00
Without auxiliary top; also includes front compartment color-keyed vinyl coated rubber mat..... A50		150.00
Seat, 3-Passenger Rear: Seat trim matches front seat. Includes RH & LH rear armrests and seat belts. Available only when 8.25-15, 6.50-16 or truck type tires are ordered		
With standard front seat		
Also includes black embossed rubber rear floor mat..... AS3		100.00
With bucket seats with auxiliary top		
Also includes color-keyed rear floor carpeting..... AS3		100.00
With bucket seats without auxiliary top		
Also includes color-keyed vinyl coated rubber rear floor mat..... AS3		100.00

Price \$.40 \$ 7.50 \$ 7.90

Option	Price
8.25-15/4PR	
—Highway ★Original Equipment	\$ 2.45 \$ 31.00 \$ 33.45
—On-Off-Road Original Equipment	2.30 31.00 33.30
6.50-16/6PR (Pass type)	
—Highway Original Equipment	7.20 75.00 82.20
—On-Off-Road Original Equipment	7.20 75.00 82.20
7.00-15/6PR Maximum Tire Capacity—Front (1720) Rear (1720) (Truck type)	
—Highway Nylon	11.95 149.00 160.95
—On-Off-Road Nylon	12.85 149.00 161.85

TUBELESS TIRES (Factory Installed)

*7.35-15/4PR	
—Highway Original Equipment	1.45 32.00 33.45
—On-Off-Road Original Equipment	1.25 10.00 11.25
*8.25-15/4PR	
—Highway Original Equipment	2.85 28.00 30.85
—On-Off-Road Original Equipment	4.30 62.00 66.30
8.25-15/8PR	
—Highway Original Equipment	6.50 58.00 64.50
—On-Off-Road Original Equipment	7.90 92.00 99.90

WIDE BASE TUBELESS TIRES (Factory Installed)

8.00-16.5/6PR Maximum Tire Capacity—Front (1730) Rear (1730)	
—Highway Nylon	15.25 190.50 205.75
—On-Off-Road Nylon	14.75 190.50 205.25
8.75-16.5/6 Maximum Tire Capacity—Front (1990) Rear (1990)	
—Highway Nylon	18.10 230.50 248.60
—On-Off-Road Nylon	16.95 230.50 247.45

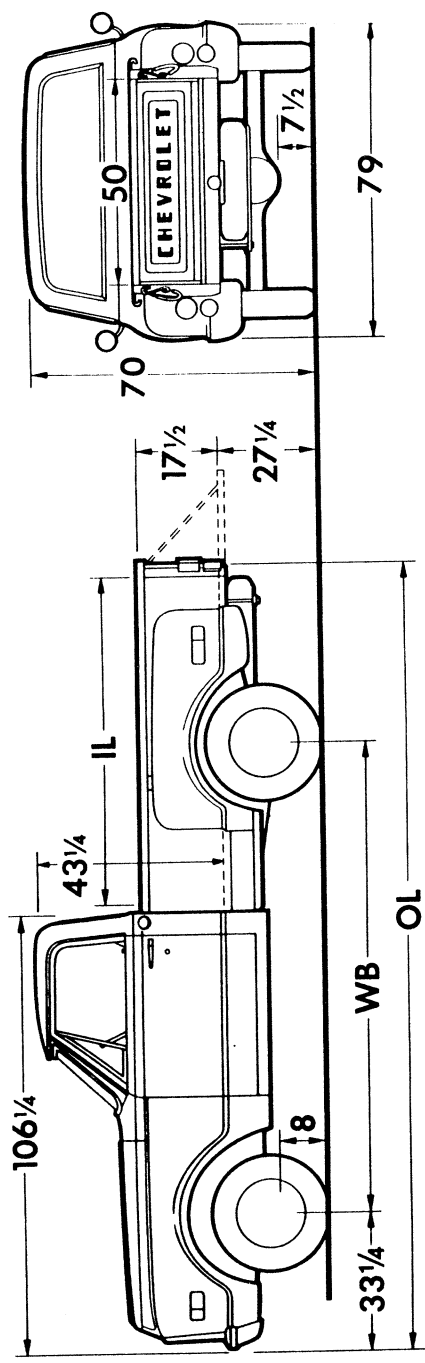
TUBELESS FLOTATION-TYPE TIRES (Factory Installed)

10-16.5/6PR Maximum Tire Capacity—Front (2330) Rear (2330)	
—Highway Nylon	28.70 450.50 479.20
—On-Off-Road Nylon	28.75 450.50 479.25

available interior color if the particular combination is desired by a customer.

EXTERIOR		INTERIOR TRIM						
Color	Option Number	<i>All orders must show one of the following interior trim codes on the order form.</i>						
	Solid	Red	Blue	Green	Saddle	Black	Turquoise	
Black	500	1	2	3		6	7	
Blue, Dark	508		2			6		
Blue, Light	507		2		4	6		
Green, Dark	505			3		6		
Green, Light	503			3	4	6		
Maroon	517	1			4	6		
Olive Green	504					6		
Orange	516				4	6		
Red	514	1			4	6		
Saddle	525	1		3	4	6		
Silver	523	1	2	3		6	7	
Turquoise	511				4	6	7	
White	521	1	2	3	4	6	7	
Yellow, Dark	519				4	6		
Yellow	520				4	6		

CS10704 Stepside Pickup
CS10904 Stepside Pickup



CS10704 Stepside Pickup
CS10904 Stepside Pickup

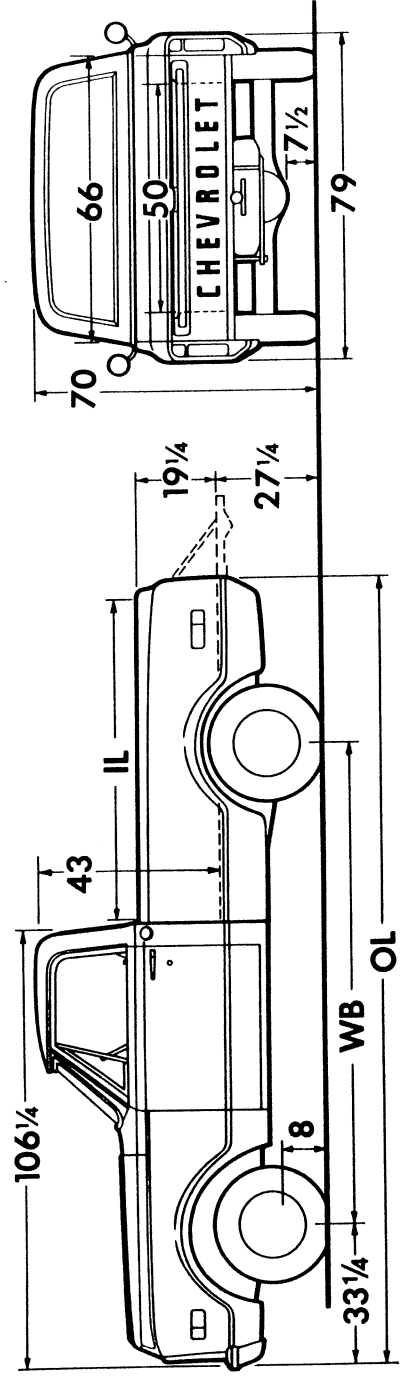
Models	Dimensions (in)★			Curb Weights (lb)			Payload Wt. Dist.*	
	WB	IL	OL	Front	Rear	Total	Front	Rear
CS10704	115	78 1/4	188 1/2	2011	1436	3447	1%	99%
CS10704				2118	1452	3570		
CS10904	127	98	207 3/4	2105	1431	3536	3	97
CS10904				2204	1439	3643		

*Estimate based on water-level loading. ★Dimensions with std equipment, unloaded.

SERIES C10—FLEETSIDE PICKUPS

Six-Cylinder Models
CS10734 Fleetside Pickup
CS10934 Fleetside Pickup

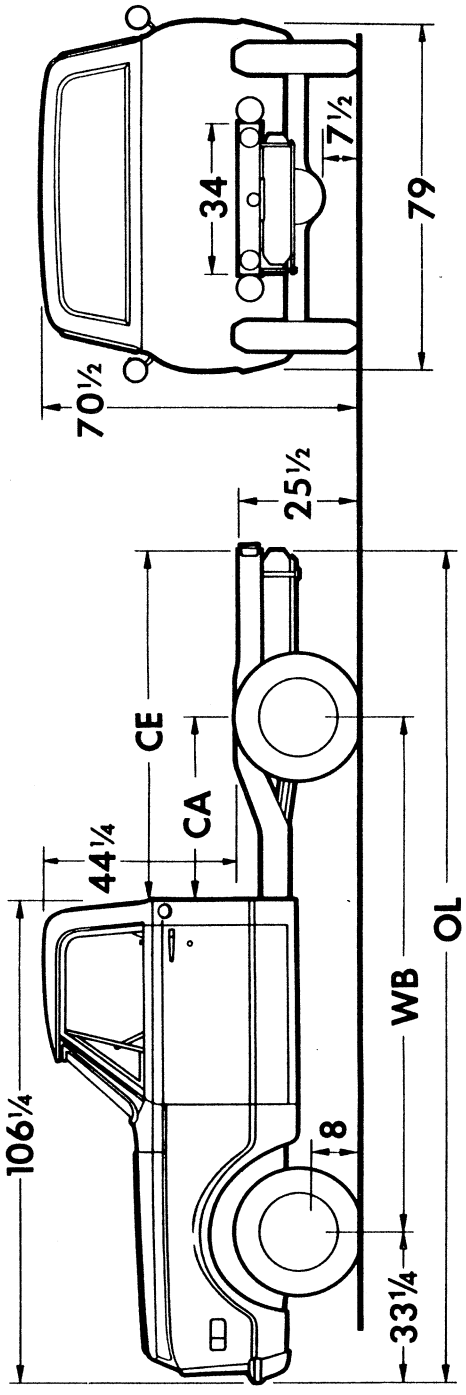
V8 Models
CS10734 Fleetside Pickup
CS10934 Fleetside Pickup



Models	Dimensions (in)★			Curb Weights (lb)			Payload Wt. Dist.*	
	WB	IL	OL	Front	Rear	Total	Front	Rear
CS10734	115	78 1/4	188 1/4	2024	1503	3527	2%	98%

CS10703 Chassis-Cab
CS10903 Chassis-Cab

CE10703 Chassis-Cab
CE10903 Chassis-Cab



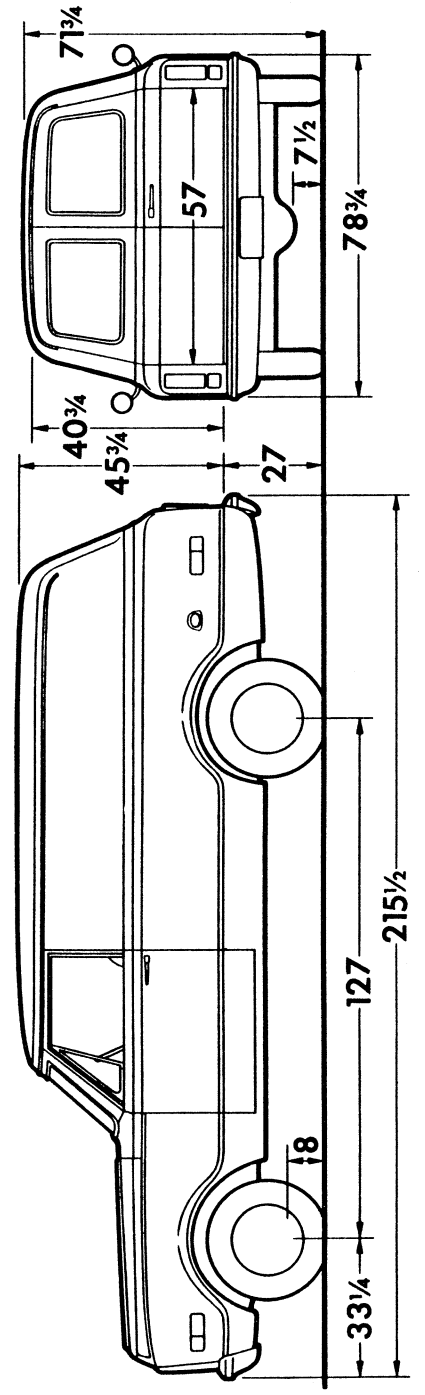
Models	Dimensions (in)★				Curb Weights (lb)			Body-Payload Wt. Dist.*		
	WB	CA	CE	OL	Front	Rear	Total	Body	Front	Rear
CS10703 CE10703	115	42	75½	181¾	2022 2136	1089 1100	3111 3236	6'	3%	97%
CS10903 CE10903	127	54	95½	201¾	2078 2187	1061 1068	3139 3255	7' 7½' 8'	7 5 2	93 95 98

*Estimate based on water-level loading. ★Dimensions with std equipment, unloaded.

SERIES C10—PANELS

Six-Cylinder Models
CS10905 Panel

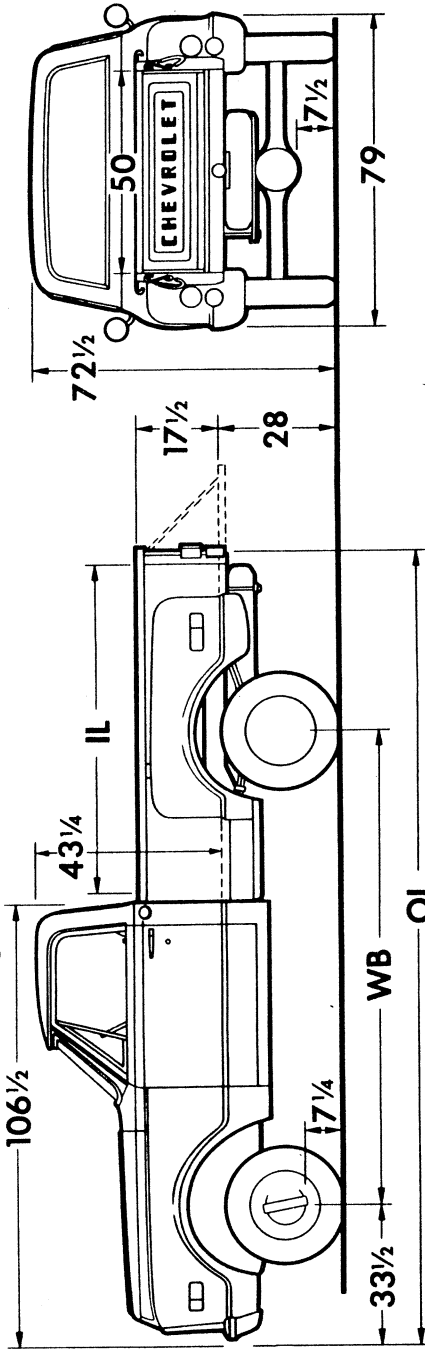
V8 Models
CE10905 Panel



Models	Dimensions (in)★		Curb Weights (lb)		Body-Payload Wt. Dist.*	
	WB	OL	Front	Rear	Body	Front
CS10905	127	215½	2078	1061	7'	7
CE10905	127	215½	2187	1068	7½'	5
					8'	2

V8 Models

- KE10704 Stepside Pickup
- KE10904 Stepside Pickup

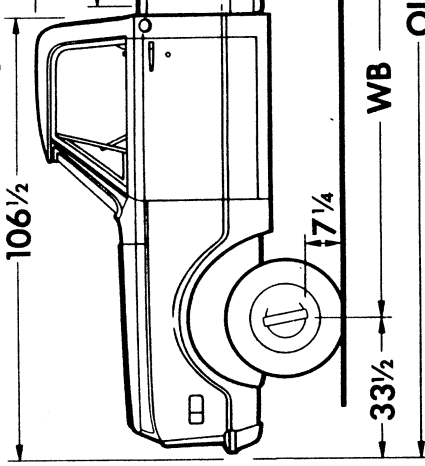


Models	Dimensions (in) *			Curb Weights (lb)			Payload Wt. Dist.*	
	WB	IL	OL	Front	Rear	Total	Front	Rear
KS10704 KE10704	115	78	188 ³ / ₄	2239 2353	1532 1545	3771 3898	1%	99%
KS10904 KE10904	127	98	208	2371 2498	1545 1563	3916 4061	3	97

*Estimate based on water-level loading. ★ Dimensions with std equipment, unloaded.

Six-Cylinder Models

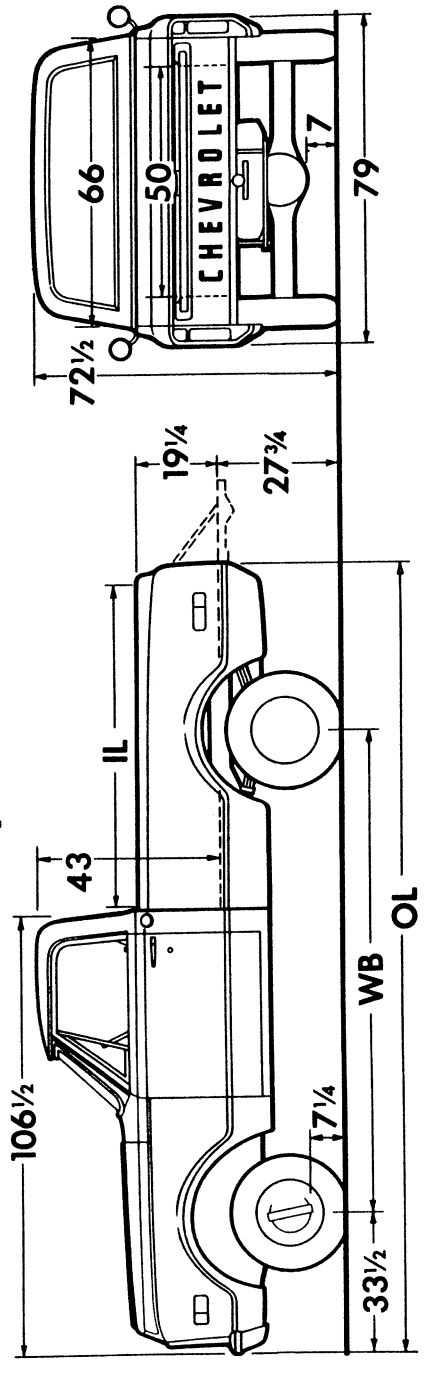
- KS10704 Stepside Pickup
- KS10904 Stepside Pickup



SERIES K10—FLEETSIDE PICKUPS

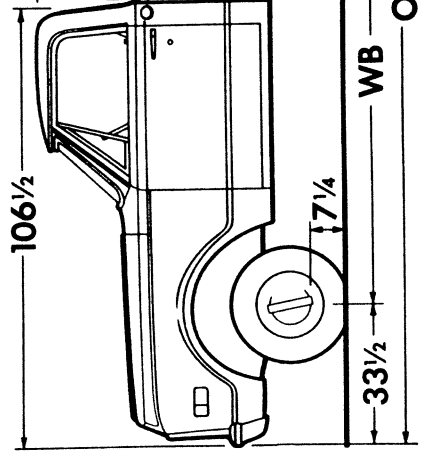
V8 Models

- KE10734 Fleetside Pickup
- KE10934 Fleetside Pickup



Six-Cylinder Models

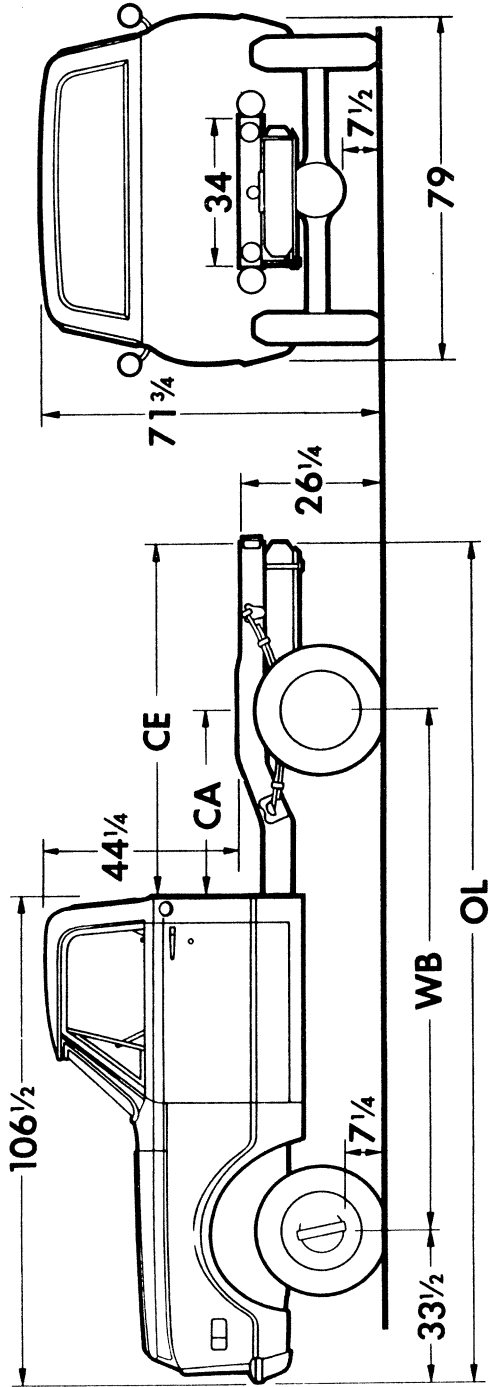
- KS10734 Fleetside Pickup
- KS10934 Fleetside Pickup



Models	Dimensions (in) *			Curb Weights (lb)			Payload Wt. Dist.*	
	WB	IL	OL	Front	Rear	Total	Front	Rear
KS10734	115	78	188 ³ / ₄	2249	1602	3851	2%	98%

KS10703 Chassis-Cab
KS10903 Chassis-Cab

KE10703 Chassis-Cab
KE10903 Chassis-Cab



Models	Dimensions (in)★				Curb Weights (lb)			Body-Payload Wt. Dist.*		
	WB	CA	CE	OL	Front	Rear	Total	Body	Front	Rear
KS10703	115	42	$75\frac{1}{2}$	182	2269	1166	3435	6'	3%	97%
KE10703					2388	1173	3561			
KS10903	127	54	$95\frac{1}{2}$	202	2362	1150	3512	7'	7	93
KE10903					2496	1161	3657	8'	2	98

*Estimate based on water-level loading. ★ Dimensions with std equipment, unloaded.

Axle, Front: Independent; capacity 2500-lb
Axle, Rear: Hypoid semi-floating type; ratio 3.73; capacity 3500-lb
Battery: 12-volt, 54-plate; capacity 53 amp-hr
Bodies: See *Cabs, Bodies & Colors*
Brakes, Service: Hydraulic; self-adjusting; dual system
 Sizes: front 11" x 2"; rear 11" x 2"
 Effective area: drum 276 sq in; lining 167 sq in
Brake, Parking: Cable to rear wheels; area 83 sq in; foot operated

Bumper: Painted
 All models (except Panel): Front only
 Panel models: Front and rear
Carburetor: CS10: single-barrel downdraft
 CE10: two-barrel downdraft

Clutch: CS10: diameter 10"; area 100 sq in
 CE10: diameter 11"; area 124 sq in

Cooling: CS10: 1 1/4" radiator core, cross-flow type; 446-sq-in area; 13-lb pressure cap
 CE10: 1 1/4" radiator core, cross-flow type; 480-sq-in area; 13-lb pressure cap

Controls & Instruments: Light switch; windshield wiper-washer switch; headlight beam control; speedometer; odometer; fuel gauge. Lights for generator, oil pressure, engine temperature, brake warning, direction signals and high beam indicator. Ignition switch with accessory position

Direction Signals: Class A; two front and two rear. Includes freeway lane-change position on switch & integral hazard warning switch

***Engine:** CS10: 250 Six; closed positive crankcase ventilation
 Gross horsepower..... 155 @ 4200 rpm
 Net horsepower..... 120 @ 3800 rpm
 Gross torque, lb-ft..... 235 @ 1600 rpm
 Net torque, lb-ft..... 210 @ 2000 rpm
 CE10: 307 V8; closed positive crankcase ventilation
 Gross horsepower..... 200 @ 4600 rpm
 Net horsepower..... 150 @ 4000 rpm
 Gross torque, lb-ft..... 300 @ 2400 rpm
 Net torque, lb-ft..... 255 @ 2000 rpm

*Rating shown with exhaust emission controls

Exhaust Emission Control Equipment: See *Engine & Clutch* section for types used

Exhaust System: Single pipe & aluminized muffler
Filter, Fuel: Plastic mesh in fuel tank
 CS10: Paper type in carburetor
 CE10: Sintered bronze in carburetor

Filter, Oil: CS10: full-flow; 1-quart; throwaway type
 CE10: full-flow; 1-quart; replaceable

Heater & Defroster: Deluxe-Air

Lights & Reflectors:
 O3 models: Two headlights; two Class A front combination parking/direction signals; two Class A rear combination tail/stop/direction signals; two front side marker reflectors; two backup; one license; instrument panel & dome
 O4, O5 & 34 models: Same as O3 models plus two rear side marker reflectors

→ **Mirror, Rearview:** Exterior RH & LH 6 1/4" fixed arm and inside 10" vinyl-edged prismatic

Seat: All models (exc Panel); full-width; vinyl trim
 Panel (O5) models; driver only; vinyl trim

Seat Belts: Includes retractors
 All models (exc Panel); driver and passenger
 Panel models; driver only

Shock Absorbers: Front & rear; piston diameter 1"

Springs, Front: Coil; capacity 1250-lb each

Springs, Rear: Coil; capacity 1250-lb each

Steering: Ball-gear, ratio 24:1; wheel, oval 17 1/2" x 17", 2-spoke

Tank, Fuel: O4, 34, O3 models—back of seat in cab; capacity approx 21 gallons

Panel (O5) models—inside frame at rear; capacity approx 23.5 gallons

Tires: Five tubeless 8.25-15/4PR front, single rear and spare

Tools: 2500-lb mechanical jack; wheel wrench

Transmission: 3-speed fully synchronized; steering column gearshift; ratios 2.85, 1.68, 1.00, 2.95 (rev)

Wheels: Five 15" x 5 1/2"; attachment, 6 studs on 5 1/2" circle; spare carrier under frame; 4 painted hubcaps

Windshield Wipers & Washer: Electric; 2-speed wipers

GVW SELECTOR	
GVW Rating (lb)	Chassis Equipment Required for GVW Rating
4400	Standard
4800*	2000-lb ea rear spring
5000♦	1350-lb ea front spring 2000-lb ea rear spring
5400♦ (O5 models only)	

NOTE: Be sure to recommend adequate springs and tires for total GVW. See *Chassis* section for Tire & Wheel Combination

Air Cleaner: Oiled-paper element

Axle, Front: Hypoid, ratio 3.73; capacity 3300 lb; yoke and trunion universal joints

Axle, Rear: Hypoid semi-floating type; ratio 3.73; capacity 3300 lb

Battery: 12-volt, 54-plate; capacity 53 amp-hr

Bodies: See *Cabs, Bodies & Colors*

Brakes, Service: Hydraulic; self-adjusting; dual system

Sizes: front 11" x 2"; rear 11" x 2"

Effective area: drum 276 sq in; lining 167 sq in;

Brake, Parking: Cable to rear wheels; area 83 sq in; foot operated

Bumper: Front only, painted

Carburetor: KS10: single-barrel downdraft
KE10: two-barrel downdraft

Clutch: KS10: diameter 10"; area 100 sq in
KE10: diameter 11"; area 124 sq in

Cooling: KS10: 1 1/4" radiator core, cross-flow type; 446-sq-in area; 13-lb pressure cap
KE10: 1 1/4" radiator core, cross-flow type; 480-sq-in area; 13-lb pressure cap

Controls & Instruments: Light switch; windshield wiper-washer switch; headlight beam control; speedometer; odometer; fuel gauge. Lights for generator, oil pressure, engine temperature, brake warning, direction signals and high beam indicator. Ignition switch with accessory position

Direction Signals: Class A; two front and two rear. Includes freeway lane-change position on switch & integral hazard warning switch

***Engine:** KS10: 250 Six; closed positive crankcase ventilation

Gross horsepower..... 155 @ 4200 rpm
Net horsepower..... 120 @ 3800 rpm
Gross torque, lb-ft..... 235 @ 1600 rpm
Net torque, lb-ft..... 210 @ 2000 rpm
KE10: 307 V8; closed positive crankcase ventilation
Gross horsepower..... 200 @ 4600 rpm
Net horsepower..... 150 @ 4000 rpm
Gross torque, lb-ft..... 300 @ 2400 rpm
Net torque, lb-ft..... 255 @ 2000 rpm

*Rating shown with exhaust emission controls

Exhaust Emission Control Equipment: See *Engine & Clutch* section for types used

Exhaust System: Single pipe & aluminized muffler

Filter, Fuel: Plastic mesh in fuel tank
KS10: Paper type in carburetor
KE10: Sintered bronze in carburetor

Filter, Oil: KS10: full-flow; 1-quart; throwaway type
KE10: full-flow; 1-quart; replaceable element type

Frame: 39,000-lb-test steel; section modulus 2.70 (KS-KE107 models); 3.48 (KS-KE109 models)

Fuel Filter: Single action

Generator: 37-amp Delco-tron

GVW Plate: 5600 lb

Heater & Defroster: Deluxe-Air

Lights & Reflectors:

O3 models: Two headlights; two Class A front combination parking/direction signals; two Class A rear combination tail/stop/direction signals; two front side marker reflectors; two backup; one license; instrument panel & dome
O4 & 34 models: Same as O3 models plus two rear side marker reflectors

→ **Mirror, Rearview:** Exterior RH & LH 6 1/4" fixed arm and inside 10" vinyl-edged prismatic

Seat: Full-width, vinyl trim

Seat Belts: Driver & passenger; includes retractors

Shock Absorbers: Front & rear; piston diameter 1"

Springs, Front: Tapered-leaf; capacity 1450 lb each

Springs, Rear: Two-stage, combination multi-leaf & tapered-leaf; capacity 1800 lb each

Steering: Ball-gear, ratio 24:1, wheel, oval 17 1/2" x 17", 2-spoke

Tank, Fuel: Back of seat in cab; capacity approx 21 gallons

Tires: Five tubeless 8.25-15/4PR front, single rear and spare

Tools: 2500-lb mechanical jack; wheel wrench

→ **Transfer Case:** Rockwell T-221, 2-speed; ratios 1.94 & 1.00; power take-off opening at rear; single control lever

Transmission: 3-speed fully synchronized; steering column gearshift; ratios 3.03, 1.75, 1.00, 3.02 (rev)

Wheels: Five 15" x 5 1/2"; attachment, 6 studs on 5 1/2" circle; spare carrier under frame

Windshield Wipers & Washer: Electric; 2-speed wipers

Note: Be sure to recommend adequate springs and tires for total axle loads. See *Optional Equipment and Tire & Wheel Combination* pages

GVW SELECTOR

GVW Rating (lb)	Chassis Equipment Required for GVW Rating
4600	

Model & Type	Wheel-base	Factory D & H	List Price	Mfr's Sgt'd Dealer NVPC*	Mfr's Sgt'd Retail Price*	Destination Charge & Group Number	Total
6-Cylinder 155-hp High Torque 250 Engine							
CS10703	Chassis-Cab (42" Cab-Axle) 115"	\$164.00	\$2082.00	\$40.00	\$2286.00	16	
CS10704	Pickup—Stepside (6½ ft) 115"	173.00	2184.00	40.00	2397.00	17	
CS10734	Pickup—Fleetside (6½ ft) 115"	176.00	2219.00	40.00	2435.00	17	
CS10903	Chassis-Cab (54" Cab-Axle) 127"	167.00	2217.00	40.00	2324.00	16	
CS10904	Pickup—Stepside (8 ft) 127"	176.00	2219.00	40.00	2435.00	17	
CS10905	Panel 127"	206.00	2617.00	40.00	2863.00	18	
CS10934	Pickup—Fleetside (8 ft) 127"	179.00	2254.00	40.00	2473.00	17	
KS10703	Chassis-Cab (42" Cab-Axle) 115"	210.00	2687.00	40.00	2937.00	21	
KS10704	Pickup—Stepside (6½ ft) 115"	218.00	2789.00	40.00	3047.00	21	
KS10734	Pickup—Fleetside (6½ ft) 115"	220.00	2824.00	40.00	3084.00	21	
KS10903	Chassis-Cab (54" Cab-Axle) 127"	213.00	2722.00	40.00	2975.00	21	
KS10904	Pickup—Stepside (8 ft) 127"	220.00	2824.00	40.00	3084.00	21	
KS10934	Pickup—Fleetside (8 ft) 127"	223.00	2859.00	40.00	3122.00	21	
8-Cylinder 200-hp High Torque 307 Engine							
CE10703	Chassis-Cab (42" Cab-Axle) 115"	171.00	2172.00	40.00	2383.00	16	
CE10704	Pickup—Stepside (6½ ft) 115"	180.00	2274.00	40.00	2494.00	17	
CE10734	Pickup—Fleetside (6½ ft) 115"	183.00	2309.00	40.00	2532.00	17	
CE10903	Chassis-Cab (54" Cab-Axle) 127"	174.00	2207.00	40.00	2421.00	16	
CE10904	Pickup—Stepside (8 ft) 127"	183.00	2309.00	40.00	2532.00	17	
CE10905	Panel 127"	213.00	2707.00	40.00	2960.00	18	
CE10934	Pickup—Fleetside (8 ft) 127"	185.00	2344.00	40.00	2569.00	17	
KE10703	Chassis-Cab (42" Cab-Axle) 115"	217.00	2777.00	40.00	3034.00	21	
KE10704	Pickup—Stepside (6½ ft) 115"	225.00	2879.00	40.00	3144.00	21	
KE10734	Pickup—Fleetside (6½ ft) 115"	227.00	2914.00	40.00	3181.00	21	
KE10903	Chassis-Cab (54" Cab-Axle) 127"	220.00	2812.00	40.00	3072.00	21	
KE10904	Pickup—Stepside (8 ft) 127"	227.00	2914.00	40.00	3181.00	21	
KE10934	Pickup—Fleetside (8 ft) 127"	230.00	2949.00	40.00	3219.00	21	

* Manufacturer's Suggested Dealer New Vehicle Preparation Charge.

* Manufacturer's Suggested Retail Prices do not include state and local taxes, license fees, options or accessories.

Description	Number	D & H	Price	Retail Delivered Price
-------------	--------	-------	-------	------------------------

POWER TEAMS & AXLES

Engine: 292 Six; includes 11" dia clutch; CS-KS10 models only	L25		\$ 90.00	\$ 96.85
350 V8; CE-KE10 models only. Includes 4-barrel carburetor, 3.07 ratio rear axle (C10 only) and 12" clutch	L59	2.70	35.00	37.70
350 V8, heavy-duty; CE-KE10 models only. Includes 4-barrel carburetor, 3.07 ratio rear axle (C10 only) and 12" clutch	L58	4.60	60.00	64.60
396 V8; CE10 models only. Not available when Powerglide or Overdrive transmission is ordered. Includes 4-barrel carburetor, dual exhaust, 12" clutch, 3.07 ratio rear axle with standard or Turbo Hydra-matic transmission or 3.54 ratio rear axle with 4-speed transmission	L47	11.40	150.00	161.40
→ Liquid Petroleum Gas Conversion ; available on C10 models when 6-cyl or 350 V8 (HD) engine is ordered: With 6-cyl engine	L56	5.70	75.00	80.70
With 350 V8 (HD) engine	L56	3.05	40.00	43.05
Transmission: Powerglide: C10 models only. Includes HD radiator and 3.07 ratio rear axle with 350 engine. Not available when 396 engine or governor is ordered	M35	13.30	175.00	188.30
CS10 models	M35	14.10	185.00	199.10
Turbo Hydra-matic: C10 models only. Includes 3.07 ratio rear axle on CE10 models and HD radiator. Not available when governor is ordered	M49	16.35	215.00	231.35
Without 396 Engine	M49	17.10	225.00	242.10
With 396 Engine				
Chevrolet 4-speed: Includes 3.07 ratio rear axle with 307 or 350 engine on C10 models				
Series CS-CE10700				
Without 396 Engine	M20	6.50	85.00	91.50
With 396 Engine; also includes Dana rear axle with 3.54 ratio	M20	11.05	145.00	156.05
Series CS-CE10900 or K10				
Without 396 Engine	M20	6.85	90.00	96.85
With 396 Engine; also includes Dana rear axle with 3.54 ratio	M20	11.40	150.00	161.40
New Process 435CR 4-speed (close-ratio): Includes 3.07 ratio rear axle when 350 engine is ordered				
Series CS-CE10700				
Without 396 Engine	M28	8.75	115.00	123.75
With 396 Engine; also includes Dana rear axle with 3.54 ratio	M28	13.30	175.00	188.30
Series CS-CE10900				
Without 396 Engine	M28	9.15	120.00	129.15
With 396 Engine; also includes Dana rear axle with 3.54 ratio	M28	13.70	180.00	193.70
Overdrive: C10 models only. Includes 4.11 ratio rear axle. Not available when governor equipment or 350 or 396 engine is ordered	M10	8.75	115.00	123.75
Axle, Rear: C10 models only				
Ratio 3.07; included when Turbo Hydra-matic or Chevrolet 4-speed transmission is ordered with 307 engine or when 3-speed or Turbo Hydra-matic is ordered with 396 engine. Also included when 350 engine is ordered	H01	.50	6.50	7.00
With 3-speed transmission	H01	1.40	18.00	19.40
With 4-speed or Turbo Hydra-matic transmission				
Ratio 3.73; available only when 350 engine is ordered or when Turbo Hydra-matic or Chevrolet 4-speed transmission is ordered with 307 engine	H05	.20	2.00	2.20
Ratio 4.11; included when overdrive transmission is ordered. Not available when 396 engine is ordered	H04	.65	8.00	8.65
Positraction; not available when 396 engine with 4-speed transmission is ordered	G80	4.60	60.00	64.60
Maximum Traction; with 396 engine and 4-speed transmission only	G87	9.50	125.00	134.50

OTHER OPTIONS

Air Cleaner: Oil-bath; capacity 1 quart. Not available on CE10 models when 396 engine or automatic transmission is ordered	K48	.80	10.00	10.80
Air Cleaner, Heavy-Duty: Includes oil-bath pre-cleaner. Not available on CE10 models when 396 engine or automatic transmission is ordered or CS10 models when power steering is specified with 292 engine	K46	4.20	55.00	59.20
Air Conditioning, All-Weather: Chassis-Cab and Pickup models only. Includes HD radiator and 42-amp generator	C60	27.75	365.00	392.75
Battery: Auxiliary: Chassis-Cab and Pickup models with camper nameplate. Not available when HD air cleaner is ordered	TP2	3.05	40.00	43.05
Heavy-duty: 66-plate, 70-amp-hr. Included when HD starting motor is ordered	T60	.55	7.00	7.55

Price

	\$.50	\$	6.00	\$	6.50
Belts, Seat: Installed for third passenger. Not available on Panel models or when bucket seats are ordered.						AM3
Belts, Shoulder:						A85
Driver & Passenger; requires auxiliary seat on Panel models.	1.90		25.00			26.90
Driver only; for Panel models without auxiliary seat.	.95		12.50			13.45
Brackets, Mounting: For mounting pickup box on C10 Chassis-Cab models only. Not available when HD cross sill support is ordered.	.65		8.00			E80
Brakes: Vacuum Power						I70
Chassis-Cab & Pickup models	3.20		42.00			45.20
Panel models; includes 11" x 2.75" front brake	5.50		72.00			77.50
Bumper:						V38
Painted:						V43
Rear; Pickup models with std painted front bumper only	1.70		22.00			23.70
Rear step; Pickup models only	3.45		45.00			48.45
Chromed:						V37
Front and rear;						V37
Pickup models only; not available when Custom Sport Truck option is ordered	3.65		48.00			51.65
Panel models	2.00		26.00			28.00
Front; Chassis-Cab & Pickup models only. Included when Custom Sport Truck option is ordered. Not available when painted rear bumper is ordered	1.00		13.00			V46
Rear; Pickup models with Custom Sport Truck option only	2.70		35.00			VF1
Caps, Hub: Chromed; C10 models only	.80		10.00			P03
Carpeting, Floor: Not available on Panel models. Included when Custom Sport Truck or bucket seats are ordered.	1.90		25.00			B30
Carrier, Spare Wheel: Side mounted	1.00		13.00			P13
Fleetside Pickups						P13
Stepside Pickups;	1.15		15.00			P13
Without chromed hub caps or wheel covers	1.35		17.50			P13
With chromed hub caps	1.60		21.00			P13
With wheel covers						M01
Clutch: HD; diameter 11"; available on 250 engine with 3-speed or New Process 4-speed transmission only. Included when Chevrolet 4-speed transmission or 292 engine is ordered.	.45		5.50			M01
Cooling: Not available when air conditioning is ordered.	1.55		20.00			V01
HD radiator only; included when automatic transmission is ordered.						V05
HD radiator and extra-HD cooling equipment; not available on Panel models	3.30		43.00			V05
Custom Camper Nameplate: Requires 7.00-15/6PR tube-type or 8.00-16.5/6PR tubeless tires						Z81
C10 Pickup models only:						Z81
With standard suspension; requires HD rear shock absorbers, front stabilizer and HD rear springs or auxiliary rear springs	N.C.		N.C.			N.C.
With optional rear leaf suspension; requires front stabilizer, HD front shock absorbers and HD rear springs	N.C.		N.C.			N.C.
K10 models: Requires HD rear shock absorbers	N.C.		N.C.			N.C.
Custom Comfort and Appearance: Includes bright metal rear window molding (except Panels); vent window and windshield moldings; cigar lighter; control knob trim; custom emblems; color-keyed floor mat and special insulation. Not available when Custom Sport Truck option is ordered	2.40		31.50			Z62
Panel models						Z62
Cab & Pickup models: Also includes door trim panels and full-depth foam seat with fabric upholstery. Not available when bucket seats are ordered.	6.40		84.00			Z62
Custom Molding:						BX1
Belt molding; Panel models only. Includes bright fuel filler cap	2.30		30.00			BX1
Lower fender, door, cab panel moldings and bright fuel filler cap. Included when Custom Sport Truck is ordered.						BX2
Fleetside Pickups; also includes pickup box moldings	2.70		35.00			BX2
With upper molding (RPO B85)	3.05		40.00			BX2
Without upper molding (RPO B85)	2.70		35.00			BX2
Panel models						B85
Upper fender, door, cab panel and pickup box moldings; bright tail light trim and fuel filler cap. Fleetside Pickup models only	2.70		35.00			B85
With Custom Sport Truck	3.05		40.00			B85
Without Custom Sport Truck						Z84
Custom Sport Truck: For Chassis-Cab and Pickup models only. Includes full-depth foam seat with deluxe vinyl trim; carpeting; chromed front bumper; CST emblems; door trim panels; cigar lighter; headliner; bright side marker reflectors; cargo area lamp; bright control knob and pedal trim; rear window, vent window, and windshield moldings and special insulation	14.45		190.00			Z84
Chassis-Cab and Stepside Pickups						Z84
Fleetside Pickups; also includes body side lower molding; special simulated wood-grained paneling on tailgate; and bright fuel filler cap	17.50		230.00			Z84

Description	Number	D & H	Price	Retail Delivered Price
Filter, Fuel.	K28		\$ 7.50	\$ 8.10
Floor, Pickup Box: Wood with steel skid strips. Fleetside Pickup models only	E81	.80	10.00	10.80
Gauges:				
Ammeter, engine temperature & oil pressure	Z53	.80	10.00	10.80
Tachometer, ammeter, engine temperature and oil pressure	U16	3.75	49.00	52.75
Generator, Alternating Current:				
42-amp Delcotron; included when air conditioning is ordered	K79	1.55	20.00	21.55
61-amp Delcotron	K76	2.15	28.00	30.15
62-amp Delcotron	K81	6.35	83.00	89.35
Glass, Soft-Ray: All windows	A11	1.15	15.00	16.15
Windshield only	AA2	1.10	14.00	15.10
Governor: Not available when automatic or overdrive transmission is ordered. Includes manual choke.				
For 250 engine—1800-3000 rpm (low rpm setting)	K37	1.30	17.00	18.30
—2800-4000 rpm (high rpm setting)	K38	1.30	17.00	18.30
For 292 engine—2100-3000 rpm (low rpm setting)	K37	1.30	17.00	18.30
—2800-3900 rpm (high rpm setting)	K38	1.30	17.00	18.30
For 307 engine—2300-3100 rpm (low rpm setting)	K37	1.30	17.00	18.30
—2800-4100 rpm (high rpm setting)	K38	1.30	17.00	18.30
Guards: Door edge	B93	.30	3.30	3.60
Harness, Camper Body Wiring: For camper body installation on Pickup models only	UY1	1.15	15.00	16.15
Heater, Engine Block.	K05	.80	10.00	10.80
Hooks, Towing: Two, front. Not available with chrome bumper	V76	1.25	16.00	17.25
Hubs, Free-Wheeling: K10 models only. Manual control at hubs	F76	5.55	73.00	78.55
Lamps:				
→ Cargo area; Chassis-Cab and Pickup models only. Included when Custom Sport Truck is ordered	UF2	1.30	17.00	18.30
Roof marker; five	U01	1.90	25.00	26.90
→ Side marker;				
Front and rear; Pickup and Panel models only	UB3	.80	10.00	10.80
Front only; Chassis-Cab models only	UB3	.50	6.00	6.50
Lock: For side wheel carrier (Pickups)	A97	.50	6.00	6.50
Mirrors, Exterior: Replaces standard RH & LH mirrors				
Below-Eye-Line Type				
7.5" x 10.5" painted	D29	1.45	18.50	19.95
7.5" x 10.5" stainless steel	DG4	2.40	31.00	33.40
West Coast type (Sr—7" x 16")	DG5	2.40	31.00	33.40
17/4" swinging arm	DH3	.50	6.00	6.50
Paint, Exterior: See Color & Trim chart				
Solid colors		N.C.	N.C.	N.C.
Conventional two-tone; with white secondary color		1.25	16.00	17.25
Chassis-Cab and Pickup models		2.10	27.00	29.10
Panel models				
Special Two-tone; with white upper and lower secondary colors. Available only on Fleetside Pickups when custom lower side moldings of Custom Sport Truck are ordered		2.75	36.00	38.75
Plate: Serial Number (State of Pennsylvania); HD rear springs required on C10 models	Z55	N.C.	N.C.	N.C.
Power Outlet Box: 6-circuit outlet; not available on Panel models	U98	2.30	30.00	32.30
Radio: Pushbutton control	U63	4.45	58.00	62.45
→ Seat:				
For Pickup & Chassis-Cab models				
Bucket; driver & passenger, includes carpeting and console; not available when Custom Comfort and Appearance is ordered	A50	8.00	105.00	113.00
With Custom Sport Truck	A50	9.90	130.00	139.90
Without Custom Sport Truck				
Full-depth foam; not available when Custom Comfort and Appearance or Custom Sport Truck option is ordered	Z52	1.70	22.00	23.70
For Panel models				
Auxiliary; one-passenger. Includes RH armrest, RH sunshade and seat belt. Not available when heavy-duty driver seat is ordered	A57	5.05	66.00	71.05
Not used with Custom Comfort and Appearance	A57	5.40	71.00	76.40
Heavy-duty;				
Driver only	AM2	.80	10.50	11.30
Driver and one-passenger auxiliary. Includes RH armrest, RH sunshade and seat belt	AN4	6.05	79.00	85.05

All tires have break patterns except as indicated.

			\$ 3.80	\$ 27.00	Delivered Price
●7.75-15/8PR	Highway Original Equipment	(5) Front, rear, spare	5 1/2	QA4	\$ 30.80
8.25-15/4PR	Highway Original Equipment	(5) Front, rear, spare	5 1/2	RL2	3.00
		(2) Front	5 1/2	RL2	1.20
		(3) Front, spare	5 1/2	RL2	1.80
		(5) Front, rear, spare	5 1/2	R53	16.25
		(2) Front	5 1/2	R53	6.50
		(3) Front, spare	5 1/2	R53	9.75
		(2) Rear	5 1/2	R56	8.00
		(3) Rear, spare	5 1/2	R56	12.00
6.50-16/6PR	Highway Original Equipment	(5) Front, rear, spare	5.00	R61	52.75
(Pass type)		(2) Front	5.00	R61	21.10
		(3) Front, spare	5.00	R61	31.65
		(2) Rear	5.00	R69	27.60
		(3) Rear, spare	5.00	R69	41.40
6.50-16/6PR	Maximum Tire Capacity—Front (1610) Rear (1610)	(5) Front, rear, spare	5.00	R65	95.00
(Truck type)		(2) Front	5.00	R65	38.00
		(3) Front, spare	5.00	R65	57.00
		(2) Rear	5.00	R64	59.50
		(3) Rear, spare	5.00	R64	89.25
7.00-15/6PR	Maximum Tire Capacity—Front (1720) Rear (1720)	(5) Front, rear, spare	5.50	R44	132.75
		(2) Front	5.50	R44	53.10
		(3) Front, spare	5.50	R44	79.65
		(2) Rear	5.50	R43	74.80
		(3) Rear, spare	5.50	R43	112.20

TUBELESS TIRES (Factory Installed)

●7.75-15/8PR	Highway Original Equipment	(5) Front, rear, spare	5 1/2	QA2	3.90	27.00	30.90
		(5) Front, rear, spare (Whitewall)	5 1/2	QA3	6.50	68.00	74.50
8.25-15/4PR	Highway Original Equipment	(5) Front, rear, spare	5 1/2	Std	N.C.	N.C.	N.C.
		(5) Front, rear, spare (Whitewall)	5 1/2	R51	2.15	34.00	36.15
		(5) Front, rear, spare	5 1/2	Q05	1.75	15.00	16.75
		(2) Front	5 1/2	Q05	.70	6.00	6.70
		(3) Front, spare	5 1/2	Q05	1.05	9.00	10.05
		(2) Rear	5 1/2	R55	.90	6.00	6.90
		(3) Rear, spare	5 1/2	R55	1.35	9.00	10.35
8.25-15/8PR	Highway Original Equipment	(5) Front, rear, spare	5 1/2	QA5	4.75	30.00	34.75
		(2) Front	5 1/2	QA5	1.90	12.00	13.90
		(3) Front, spare	5 1/2	QA5	2.85	18.00	20.85
		(5) Front, rear, spare (Whitewall)	5 1/2	QA6	6.70	64.00	70.70
		(2) Rear	5 1/2	QB4	2.30	18.00	20.30
		(3) Rear, spare	5 1/2	QB4	3.45	27.00	30.45
6.50-16/6PR	Highway Original Equipment	(5) Front, rear, spare	5.00	R59	5.25	47.00	52.25
(Pass type)							
6.50-16/6PR	Maximum Tire Capacity—Front (1610) Rear (1610)	(5) Front, rear, spare	5.00	R60	8.35	87.00	95.35
(Truck type)							

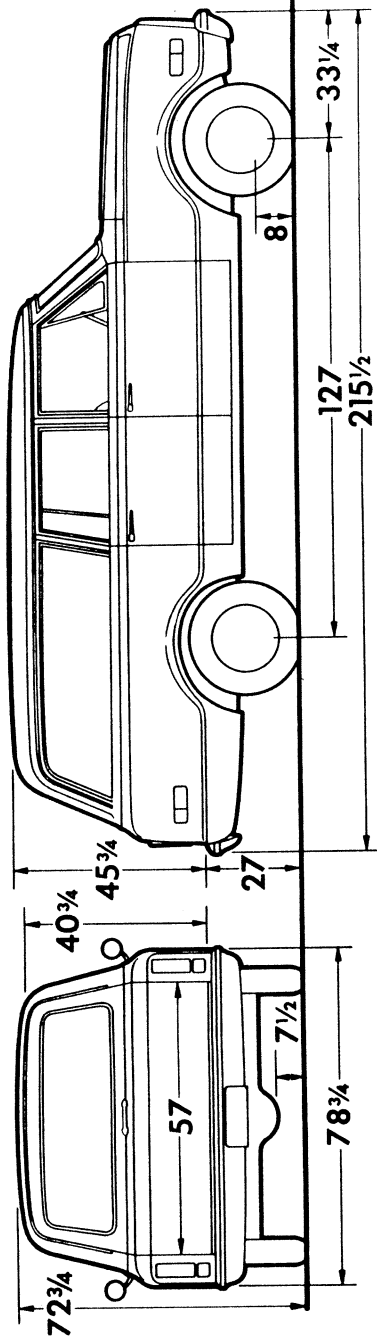
WIDE BASE TUBELESS TIRES (Factory Installed)

8.00-16.5/6PR	Maximum Tire Capacity—Front (1730) Rear (1730)	(5) Front, rear, spare	6.00	R70	16.00	162.50	178.50
		(2) Front	6.00	R70	6.40	65.00	71.40
		(3) Front, spare	6.00	R70	9.60	97.50	107.10
		(2) Rear	6.00	RQ2	7.40	83.00	90.40

Six-Cylinder Models

CS10906 Suburban Carryall
CS10916 Suburban Carryall

CE10906 Suburban Carryall
CE10916 Suburban Carryall



Models	Dimensions (in) ★			Curb Weights (lb)		
	WB	OL	Total	Front	Rear	Total
CS10906 CE10906	127	215½	3831 3947	1904 2003	1927 1944	
CS10916 CE10916	127	215½	3801 3915	1889 1986	1912 1929	

★Dimensions with std equipment, unloaded.

SERIES K10 GVW Ratings up to 5800 lb

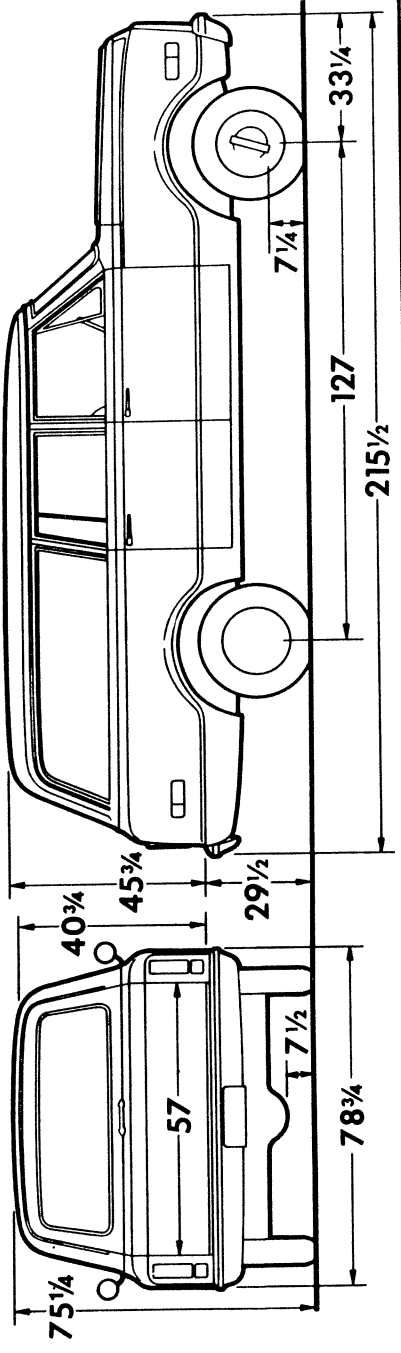
SERIES K10—SUBURBAN CARRYALLS*

Six-Cylinder Models

KS10906 Suburban Carryall
KS10916 Suburban Carryall

V8 Models

KE10906 Suburban Carryall
KE10916 Suburban Carryall



Models	Dimensions (in) ★			Curb Weights (lb)		
	WB	OL	Total	Front	Rear	Total
KS10906 KE10906	127	215½	4207 4351	2141 2259	2066 2092	

Air Cleaner: One-paper element

Axle, Front: Independent; capacity 2500 lb

Axle, Rear: Hypoid semi-floating type; ratio 3.73; capacity 3500 lb

Battery: 12-volt, 54-plate; capacity 53 amp-hr

Bodies: See *Cabs, Bodies & Colors*

Brakes, Service: Hydraulic; self-adjusting; dual system
 Sizes: front 11" x 2"; rear 11" x 2"
 Effective area: drum 276 sq in; lining 167 sq in

Brake, Parking: Cable to rear wheels; area 83 sq in; foot operated

Bumpers: Front & rear; painted

Carburetor: CS10: single-barrel downdraft
 CE10: two-barrel downdraft

Clutch: CS10: diameter 10"; area 100 sq in
 CE10: diameter 11"; area 124 sq in

Cooling: CS10: 1/4" radiator core, cross-flow type; 446-sq-in area; 13-lb pressure cap
 CE10: 1/4" radiator core, cross-flow type; 480-sq-in area; 13-lb pressure cap

Controls & Instruments: Light switch; windshield wiper-washer switch; headlight beam control; speedometer; odometer; fuel gauge. Lights for generator, oil pressure, engine temperature, brake warning, direction signals and high beam indicator. Ignition switch with accessory position

Direction Signals: Class A; two front and two rear. Includes freeway lane-change position on switch & integral hazard warning switch

Doors, Rear:
 06 models: Two; side-hinged
 16 models: End/lift gate

Doors, Side: Three; two right & one left

*** Engine:** CS10: 250 Six; closed positive crankcase ventilation
 Gross horsepower..... 155 @ 4200 rpm
 Net horsepower..... 120 @ 3800 rpm
 Gross torque, lb-ft..... 235 @ 1600 rpm
 Net torque, lb-ft..... 210 @ 2000 rpm
 CE10: 307 V8; closed positive crankcase ventilation
 Gross horsepower..... 200 @ 4600 rpm
 Net horsepower..... 150 @ 4000 rpm
 Gross torque, lb-ft..... 300 @ 2400 rpm
 Net torque, lb-ft..... 255 @ 2000 rpm

*Rating shown with exhaust emission controls

GVW SELECTOR

GVW Rating (lb)	Chassis Equipment Required for GVW Rating
4400	Standard
5400 ♦	1350-lb ea front spring

Exhaust Emission Control: Equipment 500 Engine & Clutch section for types used

Exhaust System: Single pipe & aluminized muffler

→ **Filter, Fuel:** Plastic mesh in fuel tank
 CS10: Paper type in carburetor
 CE10: Sintered bronze in carburetor

Filter, Oil: CS10: full-flow; 1-quart; throwaway type
 CE10: full-flow; 1-quart; replaceable element

Frame: 39,000-lb-test steel; section modulus 2.98

Fuel Pump: Single action

Generator: 37-amp Delcotron

GVW Plate: 5400 lb

Heater & Defroster: Deluxe-Air

Lights & Reflectors: Two headlights; two Class A front combination parking/direction signals; two Class A rear combination tail/stop/direction signals; two front & two rear side marker reflectors; two backup; one license; instrument panel & dome

Mirror, Rearview: Exterior RH & LH 6 1/2" fixed arm and inside prismatic non-glare shatterproof

Seat: Full-width bench; front only; vinyl trim

Seat Belts: Includes retractors, driver & passenger

Shock Absorbers: Front & rear; piston diameter 1"

Springs, Front: Coil; capacity 1250 lb each

Springs, Rear: Coil; capacity 1250 lb each

Steering: Ball-gear; ratio 24:1; wheel, oval 17 1/2" x 17", 2-spoke

Tank, Fuel: Inside frame at rear; capacity approximately 23.5 gal

Tires: Five tubeless 8.25-15/4PR front, single rear and spare

Tools: 2500-lb mechanical jack; wheel wrench

Transmission: 3-speed fully synchronized; steering column gearshift; ratios 2.85, 1.68, 1.00, 2.95 (rev)

Wheels: Five 15" x 5 1/2"; attachment 6 studs on 5 1/2" circle; spare carrier inside RH cargo area; four painted hubcaps

Windshield Wipers & Washer: Electric; 2-speed wipers

Note: Be sure to recommend adequate springs and tires for total axle loads. See *Optional Equipment and Tire & Wheel Combination* pages.

Exhaust System: Single pipe & aluminized muffler
Filter, Fuel: Plastic mesh in fuel tank
 KS10: Paper type in carburetor
 KE10: Sintered bronze in carburetor
Filter, Oil: KS10: full-flow; 1-quart; throwaway type
 KE10: full-flow; 1-quart; replaceable element

Frame: 39,000-lb-test steel; section modulus 3.48
Fuel Pump: Single action
Generator: 37-amp Delco-tron
GVW Plate: 5800 lb

Heater & Defroster: Deluxe-Air
Lights & Reflectors: Two headlights; two Class A front combination parking/direction signals; two Class A rear combination tail/stop/direction signals; two front & two rear side marker reflectors; two backup; one license; instrument panel & dome

Mirror, Rearview: Exterior RH & LH 6 1/4" fixed arm and inside prismatic non-glare shatterproof
Seat: Full-width bench; front only; vinyl trim

Seat Belts: Driver & passenger. Includes retractors
Shock Absorbers: Front & rear; piston diameter 1"
Springs, Front: Tapered-leaf; capacity 1450 lb each
Springs, Rear: Two-stage, combination multi-leaf & tapered-leaf; capacity 1800 lb each

Steering: Ball-gear, ratio 24:1; wheel, oval 17 1/2" x 17", 2-spoke
Tank, Fuel: Inside frame at rear; capacity approx 23.5 gal
Tires: Five tubeless 8.25-15/4PR front, single rear and spare

Tools: 2500-lb mechanical jack; wheel wrench
Transfer Case: Rockwell T-221, 2-speed; ratios 1.94 and 1.00; power take-off opening at rear, single control lever
Transmission: 3-speed fully synchronized; steering column gearshift; ratios 3.03, 1.75, 1.00, 3.02 (rev)

Wheels: Five 15" x 5 1/2"; attachment, 6 studs on 5 1/2" circle; spare carrier inside RH cargo area
Windshield Wipers & Washer: Electric; 2-speed wipers

Note: Be sure to recommend adequate springs and tires for total axle loads. See Optional Equipment and Tire & Wheel Combination pages.

Axle, Front: Hypoid, ratio 3.73; capacity 3300 lb, yoke and trunnion universal joints
Axle, Rear: Hypoid semi-floating type; ratio 3.73; capacity 3300 lb
Battery: 12-volt, 54-plate; capacity 53 amp-hr
Bodies: See *Cabs, Bodies & Colors*
Brakes, Service: Hydraulic; self-adjusting; dual system

Sizes: front 11" x 2"; rear 11" x 2"
 Effective area: drum 276 sq in; lining 167 sq in
Brake, Parking: Cable to rear wheels; area 83 sq in; foot operated

Bumpers: Front & rear, painted
Carburetor: KS10: single-barrel downdraft
 KE10: two-barrel downdraft
Clutch: KS10: diameter 10"; area 100 sq in
 KE10: diameter 11"; area 124 sq in

Cooling: KS10: 1 1/4" radiator core, cross-flow type; 446-sq-in area; 13-lb pressure cap
 KE10: 1 1/4" radiator core, cross-flow type; 480-sq-in area; 13-lb pressure cap

Controls & Instruments: Windshield wiper-washer switch; light switch; headlight beam control; speedometer; odometer; fuel gauge. Lights for generator, oil pressure, engine temperature, brake warning, direction signals and high beam indicator. Ignition switch with accessory position

Direction Signals: Class A; two front and two rear. Includes freeway lane-change position on switch & integral hazard warning switch

Doors, Rear:
 06 models: Two; side-hinged
 16 models: End/lift gate

Doors, Side: Three; two right & one left

* **Engine:** KS10: 250 Six; closed positive crankcase ventilation
 Gross horsepower..... 155 @ 4200 rpm
 Net horsepower..... 120 @ 3800 rpm
 Gross torque, lb-ft..... 235 @ 1600 rpm
 Net torque, lb-ft..... 210 @ 2000 rpm
 KE10: 307 V8; closed positive crankcase ventilation
 Gross horsepower..... 200 @ 4600 rpm
 Net horsepower..... 150 @ 4000 rpm
 Gross torque, lb-ft..... 300 @ 2400 rpm
 Net torque, lb-ft..... 255 @ 2000 rpm

*Rating shown with exhaust emission controls

GVW SELECTOR

GVW Rating (lb)	Chassis Equipment Required for GVW Rating
4600	Standard
5800 ♦	

Model Description	Wheel-base	Factory D & H	List Price	Mfr's Sgt/d Dealer NVPC*	Mfr's Sgt/d Retail Price*	Destination Charge & Group Number	Total
6-Cylinder 155-hp High Torque 250 Engine							
CS10906 Suburban Carryall (Panel Doors).....	127"	\$161.00	\$2898.00	\$40.00	\$3099.00	20	
KS10906 Suburban Carryall (Panel Doors).....	127"	195.00	3503.00	40.00	3738.00	25	
CS10916 Suburban Carryall (End Gate).....	127"	163.00	2928.00	40.00	3131.00	20	
KS10916 Suburban Carryall (End Gate).....	127"	197.00	3533.00	40.00	3770.00	25	
8-Cylinder 200-hp High Torque 307 Engine							
CE10906 Suburban Carryall (Panel Doors).....	127"	166.00	2988.00	40.00	3194.00	20	
KE10906 Suburban Carryall (Panel Doors).....	127"	200.00	3593.00	40.00	3833.00	25	
CE10916 Suburban Carryall (End Gate).....	127"	168.00	3018.00	40.00	3226.00	20	
KE10916 Suburban Carryall (End Gate).....	127"	202.00	3623.00	40.00	3865.00	25	

* Manufacturer's Suggested Dealer New Vehicle Preparation Charge.
 * Manufacturer's Suggested Retail Prices do not include state and local taxes, license fees, options or accessories.

OPTIONS & ACCESSORIES WHEN INSTALLED BY CHEVROLET

Description	Option Number	Factory D & H	List Price	Mfr's Suggested Retail Delivered Price
-------------	---------------	---------------	------------	--

POWER TEAMS & AXLES

Engine:				
292 Six. Includes 11" dia clutch. CS-KS10 models.				
350 V8; CE-KE10 models only. Includes 4-barrel carburetor, 3.07 ratio rear axle (C10 only) and 12" clutch.	L25	\$ 4.80	\$ 90.00	\$ 94.80
350 V8, heavy-duty; CE-KE10 models only. Includes 4-barrel carburetor, 3.07 ratio rear axle (C10 only) and 12" clutch.	LS9	1.90	35.00	36.90
396 V8; CE10 models only. Not available when Powerglide or overdrive transmission is ordered. Includes 4-barrel carburetor, dual exhaust, 12" clutch, 3.07 ratio rear axle with std or Turbo Hydra-Matic transmission or 3.54 ratio rear axle with 4-speed transmission.	LS8	3.20	60.00	63.20
350 V8 (HD) engine is ordered	L47	8.00	150.00	158.00
With 6-cyl engine.	L56	4.00	75.00	79.00
With 350 V8 (HD) engine.	L56	2.15	40.00	42.15
Transmission:				
Powerglide; C10 models only. Includes HD radiator and 3.07 ratio rear axle with 350 engine. Not available when 396 engine or governor is ordered.	M35	9.35	175.00	184.35
CE10 models.	M35	9.85	185.00	194.85
Turbo Hydra-Matic; C10 models only. Includes HD radiator and 3.07 ratio rear axle on CE10 models. Not available when governor is ordered.	M49	12.00	225.00	237.00
With 396 engine.	M49	11.45	215.00	226.45
Chevrolet 4-speed; includes 3.07 ratio rear axle with 307 or 350 V8 engines and 3.54 ratio rear axle with 396 V8 engine.				
C10 series				
With 396 engine.	M20	8.00	150.00	158.00
Without 396 engine.	M20	4.80	90.00	94.80
K10 series	M20	4.80	90.00	94.80
New Process 435CR 4-speed (close-ratio); C10 models only. Includes 3.54 ratio rear axle when 396 engine is ordered and 3.07 ratio rear axle when 350 engine is ordered.				
With 396 engine.	M28	9.60	180.00	189.60
Without 396 engine.	M28	6.40	120.00	126.40
Overdrive; C10 models only. Includes 4.11 ratio rear axle; not available when governor equipment or 350 or 396 engine is ordered.	M10	6.15	115.00	121.15
Axle, Rear: C10 models only				
mission is ordered with 307 engine, also included when 350 engine is ordered				
With 3-speed transmission.	H01	.35	6.50	6.85
With 4-speed transmission or Turbo Hydra-Matic.	H01	1.00	18.00	19.00

Number
Description
D & H
Price
Delivered Price

OTHER OPTIONS

Air Cleaner: Oil-bath; capacity 1 quart. Not available on CE10 models when 396 engine or automatic transmission is ordered.	K48				
Air Cleaner, Heavy-Duty: Includes oil-bath pre-cleaner. Not available on CE10 models when 396 engine or automatic transmission is ordered or CS10 models when power steering is ordered with 292 engine.	K46				
Air Conditioning, Roof Mounted: Available only when Custom Comfort & Appearance is ordered. Includes H.D. radiator and 42-amp generator.	C69				
Battery: Heavy-duty; 66-plate, 70-amp-hr. Included when HD starting motor is ordered.	T60				
Belts, Seat: Installed for third passenger	AM3				
For front seat; not available when bucket seats are ordered.	A68				
For optional center seat.	A68				
For optional center & rear seats	A68				
Belts, Shoulder: Color-keyed	A85				
Front seat; driver & passenger.	AS5				
Center seat; RH & LH passenger positions	AS5				
Center & rear seat; RH & LH passenger positions on rear seat, LH passenger positions on center seat.	AS5				
Brakes: Vacuum Power:					
C10 models; also includes 11" x 2.75"	I70				
Front brakes	I70				
K10 models	V37				
Bumpers: Chromed; front & rear	P03				
Caps, Hub: Chromed; C10 models only	M01				
Clutch: HD; diameter 11"; available on 250 engine with 3-speed or New Process 4-speed transmission only. Included when Chevrolet 4-speed transmission or 292 engine is ordered.	V01				
Cooling: Not available when roof mounted air conditioning is ordered	V01				
Heavy-duty radiator only. Included when automatic transmission is ordered	V05				
HD radiator and extra-HD cooling equipment.					
Custom Comfort and Appearance Option: Includes vent window, rear window and windshield moldings; chromed control knob trim; custom emblems; color-keyed floor mat; white hardboard headlining; vinyl sidewall trim panels; spare wheel cover; full-depth foam seat with fabric upholstery (except when bucket seats are ordered); cigar lighter; and special insulation. Bright glove box nameplate and dome lamp bezel					
For use with standard front seat	Z62				
When optional seats are not ordered	Z62				
When optional center seat is ordered; also includes matching fabric upholstery	Z62				
When optional center & rear seats are ordered; also includes matching fabric upholstery	Z62				
When bucket front seats are ordered	Z62				
When custom deluxe front seat is ordered	Z62				
Custom Molding:					
Belt line molding; includes bright fuel filler cap	BX1				
Lower fender, door & body moldings; includes bright fuel filler cap	BX2				
Filter, Fuel:	K28				
Gauges: Ammeter, engine temperature & oil pressure	Z53				
Tachometer, ammeter, engine temperature & oil pressure	U16				
Generator, Alternating Current:					
42-amp Delcoiron	K79				
61-amp Delcoiron	K76				
62-amp Delcoiron	K81				
Glass, Soft-Ray: All windows	A11				
Windshield only	AA2				
Governor: Not available when automatic or overdrive transmission is ordered. Includes manual choke.					
For 250 engine — 1800-3000 rpm (low rpm setting)	K37				
— 2800-4000 rpm (high rpm setting)	K38				
For 292 engine — 2100-3000 rpm (low rpm setting)	K37				
— 2800-3900 rpm (high rpm setting)	K38				
For 307 engine — 2300-3100 rpm (low rpm setting)	K37				
— 2800-4100 rpm (high rpm setting)	K38				

Number

Description

D & H

Price

Delivered Price

Description	Option Number	Factory D & H	List Price	Suggested Retail Delivered Price
-------------	---------------	---------------	------------	----------------------------------

OTHER OPTIONS (Continued)

Guards: Door edge	B93		\$ 4.95	\$ 5.25
Heater, Engine Block	K05		10.00	10.55
Hooks, Towing: Two front. Not available with chrome bumper	V76		16.00	16.90
Hubs, Free-Wheeling: Front, manual control at hubs; K10 models only	F76		73.00	76.90
Lamps:				
Roof marker; five	U01	1.35	25.00	26.35
Side marker; front and rear	UB3	.55	10.00	10.55
Mirror, Exterior: Replacing standard RH & LH mirrors				
Below-Eye-Line type	D29	1.00	18.50	19.50
7.5" x 10.5" painted	DG4	1.65	31.00	32.65
7.5" x 10.5" stainless steel				
Paint, Exterior: See Color & Trim chart				
Solid colors		N.C.	N.C.	N.C.
Conventional two-tone; with white secondary color		1.45	27.00	28.45
Special two-tone; with white upper and lower secondary colors				
Available only when Custom lower moldings are ordered				
Plate: Serial Number (State of Pennsylvania); 2000-lb capacity HD rear springs required	Z55	2.55	47.00	49.55
Radio: Pushbutton control	U63	N.C.	N.C.	N.C.
→ Seats, Front:		3.10	58.00	61.10
Front; Custom Deluxe Vinyl, Full-Width. Includes front seat area carpeting				
When optional rear seats are not ordered	A52	3.20	60.00	63.20
When center seat is ordered; also includes center seat area carpeting and matching interior	A52	5.90	110.00	115.90
When center and rear seats are ordered; also includes center seat area carpeting and matching interior	A52	8.00	150.00	158.00
Front, Bucket; Driver & Passenger. Includes front seat area floor carpeting and center console				
When optional rear seats are not ordered	A50	6.15	115.00	121.15
When center seat is ordered; also includes center seat area carpeting and matching interior	A50	8.80	165.00	173.80
When center and rear seats are ordered; also includes center seat area carpeting and matching interior	A50	10.95	205.00	215.95
Seats, Rear:				
Seat trim always matches the front seats whether standard or optional. The price of matching seat trim included in Custom Comfort & Appearance, or optional front seats when ordered				
Center Seat: includes HD front & rear springs (C10 models only), RH & LH armrests and seat belts. Available only when 8.25-15/8PR or truck-type tires are ordered	A53	5.35	100.00	105.35
Center & Rear Seat: includes HD front & rear springs (C10 models only), RH & LH armrests and seat belts. Available only when 8.25-15/8PR or truck-type tires are ordered	A80	11.00	206.00	217.00
Shock Absorbers: Heavy-duty				
Front and rear	F51	.80	15.00	15.80
Rear only	G68	.45	8.00	8.45
Speed & Cruise Control: C10 models only. Not available when 396 engine or HD air cleaner is ordered	K30	2.80	52.00	54.80
Speed Warning Indicator	U15	.65	12.00	12.65
Springs: HD. Included when center or rear seat is ordered on C10 models				
Front; C10 models; capacity 1350-lb each	F60	.30	5.00	5.30
Rear; capacity 2000-lb each. C10 models with HD front springs only	G50	1.60	30.00	31.60
Auxiliary Rear; capacity 500-lb each; C10 models only	G60	.35	6.50	6.85
Stabilizer, Front: C10 models only	F59	1.35	25.00	26.35
Starting Motor, Heavy-Duty: Includes HD battery. Not available when Turbo Hydra-Matic transmission is ordered				
With Automatic transmission	K67	1.45	27.00	28.45
Without Automatic transmission	K67	1.10	20.00	21.10
Steering, Power:				
C10 models only	N40	5.60	105.00	110.60
K10 models only	N40	6.65	125.00	131.65
Switch, Door Jamb: Not available when Custom Sport Truck is ordered	C80	.25	4.00	4.25
Tires: See tire pages				
Wheel Covers: Bright metal; C10 models with 7.75-15 or 8.25-15 tires only	P01	1.15	21.50	22.65

ENGINE	TRANSMISSION	AXLE RATIOS		
		STD	OPT	
250 Six 292 Six	Chevrolet 3-Speed	3.73	3.07; 4.11	
	Chevrolet CH465 4-Speed	3.73	3.07; 4.11	
	New Process 435CR 4-Speed	3.73	3.07; 4.11	
	Powerglide	3.73	4.11	
	Turbo Hydra-matic	3.73	3.07; 4.11	
	3-Speed w/Overdrive	4.11	—	
307 V8	Chevrolet 3-Speed	3.73	3.07; 4.11	
	Chevrolet CH465 4-Speed	3.07	3.73; 4.11	
	New Process 435CR 4-Speed	3.73	3.07; 4.11	
	Powerglide	3.73	4.11	
	Turbo Hydra-matic	3.07	3.73; 4.11	
	3-Speed w/Overdrive	4.11	—	
350 V8	Chevrolet 3-Speed H.D.	3.07	3.73; 4.11	
	Chevrolet CH465 4-Speed	3.07	3.73; 4.11	
	New Process 435CR 4-Speed	3.07	3.73; 4.11	
	Powerglide	3.07	3.73; 4.11	
	Turbo Hydra-matic	3.07	3.73; 4.11	
396 V8	Chevrolet 3-Speed H.D.	3.07	—	
	Chevrolet CH465 4-Speed	3.54★	—	
	New Process 435CR 4-Speed	3.54★	—	
	Turbo Hydra-matic	3.07	—	

★Dana rear axle used with 396 V8

SERIES K10 (Except K/5 Blazer)

ENGINE	TRANSMISSION	TRANSFER CASE	AXLE RATIOS	
			STD	OPT
250 Six 292 Six	Chevrolet 3-Speed H.D.	Rockwell T-221	3.73	—
	Chevrolet CH465 4-Speed		3.73	—
307 V8	Chevrolet 3-Speed H.D.	Rockwell T-221	3.73	—
	Chevrolet CH465 4-Speed		3.73	—
350 V8	Chevrolet 3-Speed H.D.	Rockwell T-221	3.73	—
	Chevrolet CH465 4-Speed		3.73	—

SERIES K10, K/5 BLAZER

ENGINE	TRANSMISSION	TRANSFER CASE	AXLE RATIOS	
			STD	OPT
250 Six	Chevrolet 3-Speed	Dana #20	3.73	—
	Chevrolet CH465 4-Speed	Dana #20	3.73	—
	Turbo Hydra-matic	New Process 205	3.73	—
307 V8	Chevrolet 3-Speed	Dana #20	3.73	—
	Chevrolet CH465 4-Speed	Dana #20	3.73	—

