

SERIES C10 AND K10, K/5 BLAZER

GVW Ratings up to 5000 lb.

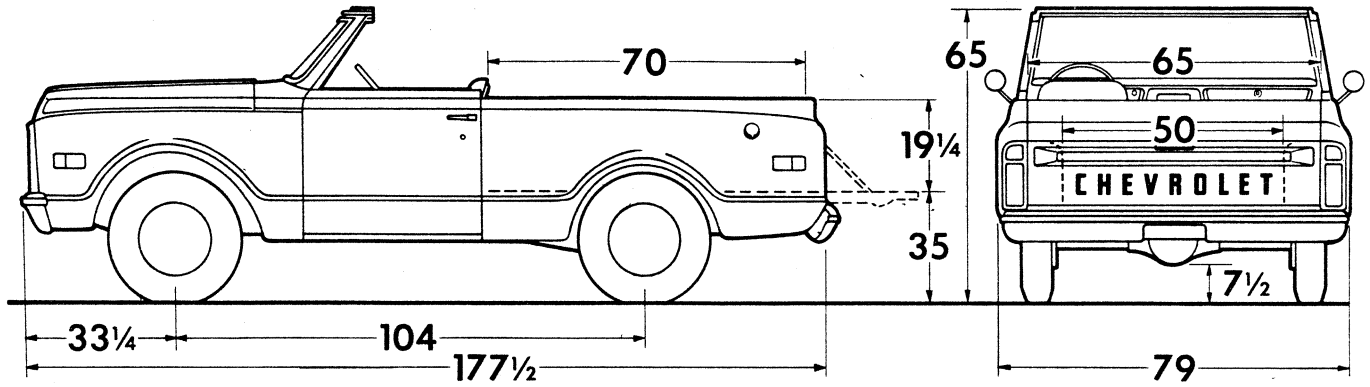
SERIES C10-K/5 BLAZER

Six-Cylinder Models

CS10514 Utility

V8 Models

CE10514 Utility



Models	Dimensions (in)★			Curb Weights (lb)			Payload Wt. Dist. *	
	WB	IL	OL	Front	Rear	Total	Front	Rear
CS10514 CE10514	104	78 1/4	177 1/2	1860 1970	1515 1536	3375 3506	2%	98%

*Estimate based on water-level loading.

★ Dimensions with std equipment, unloaded.

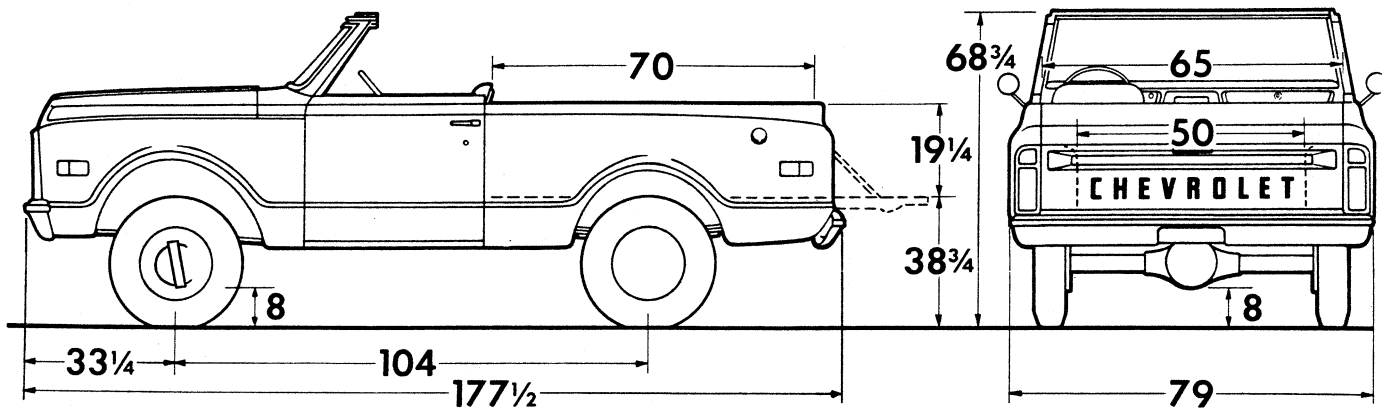
SERIES K10-K/5 BLAZER

Six-Cylinder Models

KS10514 Utility

V8 Models

KE10514 Utility



Models	Dimensions (in)★			Curb Weights (lb)			Payload Wt. Dist. *	
	WB	IL	OL	Front	Rear	Total	Front	Rear
KS10514 KE10514	104	78 1/4	177 1/2	2071 2184	1606 1623	3677 3807	2%	98%

*Estimate based on water-level loading.

★ Dimensions with std equipment, unloaded.

310 SERIES, K/5 BLAZER (TWO-WHEEL DRIVE)

STANDARD EQUIPMENT

Air Cleaner: Oiled-paper element

Axle, Front: Independent; capacity 2500 lb

Axle, Rear: Hypoid semi-floating type; ratio 3.73; capacity 3500 lb

Battery: 12-volt, 54-plate; capacity 53 amp-hr

Body: Open Utility

Brakes, Service: Hydraulic; self-adjusting; dual system
 Sizes: front 11" x 2"; rear 11" x 2"
 Effective area: drum 276 sq in; lining 167 sq in

Brake, Parking: Cable to rear wheels; area 83 sq in; foot operated

Bumpers: Front and rear, painted

Carburetor: CS10: single-barrel downdraft
 CE10: two-barrel downdraft

Clutch: CS10: diameter 10"; area 100 sq in
 CE10: diameter 11"; area 124 sq in

Cooling: CS10: 1¼" radiator core, cross-flow type; 446-sq-in area; 13-lb pressure cap
 CE10: 1¼" radiator core, cross-flow type; 480-sq-in area; 13-lb pressure cap

Controls & Instruments: Water-proofed instrument cluster with light switch; windshield wiper-washer switch; speedometer; odometer; fuel gauge. Lights for generator, oil pressure, engine temperature, brake warning, direction signals and high beam indicator. Water-proofed ignition switch with accessory position. Switch for headlight beam control.

Direction Signals: Class A; two front and two rear. Includes freeway lane-change position on switch & integral hazard warning switch

Engine: CS10: 250 Six; controlled combustion exhaust system
 Gross horsepower 155 @ 4200 rpm
 Net horsepower 125 @ 3800 rpm
 Gross torque, lb-ft. 235 @ 1600 rpm
 Net torque, lb-ft. 215 @ 2000 rpm
 CE10: 307 V8; controlled combustion exhaust system
 Gross horsepower 200 @ 4600 rpm
 Net horsepower 157 @ 4000 rpm
 Gross torque, lb-ft. 300 @ 2400 rpm
 Net torque, lb-ft. 260 @ 2000 rpm

Exhaust System: Single; fully aluminized

Filter, Fuel: Plastic mesh in fuel tank
 CS10: Paper type in carburetor
 CE10: Sintered bronze in carburetor

Filter, Oil: Full-flow; 1-quart; throwaway type

Floor Mat: Front compartment; black, embossed rubber

Frame: 39,000-lb-test steel; section modulus 2.98

Fuel Pump: Single-action

Generator: 37-amp Delcotron

GVW Plate: See GVW Selector

Heater & Defroster: Deluxe-Air

Lights & Reflectors:
 Two headlights; two Class A front combination parking/direction signals; two Class A rear combination tail/stop/direction signals; two front and two rear side marker combination lights & reflectors; two backup; one license; instrument panel

Mirror, Rearview: Exterior RH & LH 6¼" fixed arm, and inside 10" vinyl-edged prismatic

Seat: Driver only; full-foam cushion; vinyl trim (heavy-duty panel type)

Seat Belt: Driver only; includes retractor

Shock Absorbers: Front & rear; piston diameter 1"

Springs, Front: Coil; capacity 1250 lb each

Springs, Rear: Coil; capacity 1250 lb each

Steering: Ball-gear, ratio 24:1; wheel, oval 17½" x 17", 2-spoke with water-proofed horn button

Tank, Fuel: Inside frame at rear; capacity approximately 23.5 gal.

Tires: Five bias-belted tubeless E78-15-B front, single rear and spare

Tools: 2500-lb mechanical jack; wheel wrench

Transmission: 3-speed fully synchronized; steering column gearshift; ratios 2.85, 1.68, 1.00, 2.95 (rev)

Wheels: Five 15" x 5½"; attachment, 6 studs on 5½" circle; spare tire and wheel mounted on floor inside left rear corner of body; 4 painted hubcaps

Windshield Wipers & Washer: Electric; 2-speed wipers

GVW SELECTOR

GVW Rating (lb)	Chassis Equipment Required for GVW Rating
4400	Standard
5000	2,000-lb. front springs

NOTE: Be sure to recommend adequate springs and tires for total axle loads. See Optional Equipment and Tire & Wheel Combination pages.

K10 SERIES, K/5 BLAZER (FOUR-WHEEL DRIVE)

STANDARD EQUIPMENT

Air Cleaner: Oiled-paper element

Axle, Front: Hypoid, ratio 3.73; capacity 3300 lb; 40° (degree) turn angle; yoke and trunion universal joints

Axle, Rear: Hypoid semi-floating type; ratio 3.73; capacity 3300 lb

Battery: 12-volt, 54-plate; capacity 53 amp-hr

Body: Open Utility

Brakes, Service: Hydraulic; self-adjusting; dual system

Sizes: front 11" x 2"; rear 11" x 2"

Effective area: drum 276 sq in; lining 167 sq in

Brake, Parking: Cable to rear wheels; area 83 sq in; foot operated

Bumpers: Front & rear, painted

Carburetor: KS10: single-barrel downdraft
KE10: two-barrel downdraft

Clutch: KS10: diameter 10"; area 100 sq in
KE10: diameter 11"; area 124 sq in

Cooling: KS10: 1¼" radiator core, cross-flow type; 446-sq-in area; 13-lb pressure cap
KE10: 1¼" radiator core, cross-flow type; 480-sq-in area; 13-lb pressure cap

Controls & Instruments: Water-proofed instrument cluster with light switch; windshield wiper-washer switch; speedometer; odometer; fuel gauge. Lights for generator, oil pressure, engine temperature, brake warning, direction signals and high beam indicator. Water-proofed ignition switch with accessory position. Switch for headlight beam control

Direction Signals: Class A; two front and two rear. Includes freeway lane-change position on switch & integral hazard warning switch

Engine: KS10: 250 Six; controlled combustion exhaust system

Gross horsepower	155 @ 4200 rpm
Net horsepower	125 @ 3800 rpm
Gross torque, lb-ft.	235 @ 1600 rpm
Net torque, lb-ft.	215 @ 2000 rpm

KE10: 307 V8; controlled combustion exhaust system

Gross horsepower	200 @ 4600 rpm
Net horsepower	157 @ 4000 rpm
Gross torque, lb-ft.	300 @ 2400 rpm
Net torque, lb-ft.	260 @ 2000 rpm

Exhaust System: Single; fully aluminized

Filter, Fuel: Plastic mesh in fuel tank
KS10: Paper type in carburetor
KE10: Sintered bronze in carburetor

Filter, Oil: Full-flow; 1-quart; throwaway type

Floor Mat: Front compartment; black, embossed rubber

Frame: 39,000-lb-test steel; section modulus 2.70

Fuel Pump: Single action

Generator: 37-amp Delcotron

GVW Plate: See GVW Selector

Heater & Defroster: Deluxe-Air

Lights & Reflectors:
Two headlights; two Class A front combination parking/direction signals; two Class A rear combination tail/stop/direction signals; two front and two rear side marker combination lights & reflectors; two backup; one license; instrument panel

Mirror, Rearview: Exterior RH & LH 6¼" fixed arm and inside 10" vinyl-edged prismatic

Seat: Driver only; full foam cushion; vinyl trim (heavy-duty Panel type)

Seat Belt: Driver only; includes retractors

Shock Absorbers: Front & rear; piston diameter 1"

Springs, Front: Tapered-leaf; capacity 1450 lb each

Springs, Rear: Two-stage, combination multi-leaf & tapered-leaf; capacity 1800 lb each

Steering: Ball-gear, ratio 24:1, wheel, oval 17½" x 17", 2-spoke with water-proofed horn button

Tank, Fuel: Inside frame at rear; capacity approximately 23.5 gal

Tires: Five bias-belted tubeless E78-15-B front, single rear and spare

Tools: 2500-lb mechanical jack; wheel wrench

Transfer Case: Dana #20, 2-speed; ratios 2.03 & 1.00; power take-off opening on bottom, single control lever

Transmission: 3-speed fully synchronized; steering column gearshift; ratios 2.85, 1.68, 1.00, 2.95 (rev)

Wheels: Five 15" x 5½"; attachment, 6 studs on 5½" circle; spare tire and wheel mounted on floor inside left rear corner of body

Windshield Wipers & Washer: Electric; 2-speed wipers

GVW SELECTOR

GVW Rating (lb)	Chassis Equipment Required for GVW Rating
4600	Standard
5000	

Note: Be sure to recommend adequate springs and tires for total axle loads. See Optional Equipment and Tire & Wheel Combination pages.

C10 SERIES (2-WHEEL DRIVE)-BLAZER C10 SERIES (4-WHEEL DRIVE)-BLAZER

1970 MODELS WITH STANDARD EQUIPMENT

Model & Type	Wheel-base	Factory D & H	List Price	Mfr's Sgt'd Dealer NVPC*	Mfr's Sgt'd Retail Price*	Destination Charge & Group Number	Total
--------------	------------	---------------	------------	--------------------------	---------------------------	-----------------------------------	-------

6-Cylinder 155-hp High Torque 250 Engine

CS10514 Utility.....104"
KS10514 Utility.....104"

8-Cylinder 200-hp High Torque 307 Engine

CE10514 Utility.....104"
KE10514 Utility.....104"

* Manufacturer's Suggested Dealer New Vehicle Preparation Charge.

* Manufacturer's Suggested Retail Prices do not include state and local taxes, license fees, options or accessories.

OPTIONS & ACCESSORIES WHEN INSTALLED BY CHEVROLET

Description	Option Number	Factory D & H	List Price	Mfr's Suggested Retail Delivered Price
-------------	---------------	---------------	------------	--

POWER TEAMS & AXLES

Engine:
350 V8. Available only when optional transmission is ordered. Includes 4-barrel carburetor, 3.07 ratio rear axle and 12" clutch..... LS9

Transmissions:
Turbo Hydra-matic. Includes 3.07 ratio rear axle on CE-KE10 models and HD radiator..... M49
Chevrolet 4-speed. Includes 3.07 ratio rear axle with 307 or 350 engine on C10 models or 350 engine on K10 models..... M20

Axle, Rear
3.07 Ratio; C10 models only. Included when Turbo Hydra-matic or Chevrolet 4-speed transmission is ordered with 307 engine, also included with 350 engine..... H01
3.73 Ratio; CE10 models only. Available only when Chevrolet 4-speed or Turbo Hydra-matic is ordered with 307 engine or when 350 engine is ordered..... H05
4.11 Ratio; C10 models only..... H04
Positraction; not available when 4.11 ratio rear axle is ordered..... G80

OTHER OPTIONS

Air Cleaner: Oil-bath; capacity 1 quart. Not available on CE-KE10 models when 350 engine is ordered..... K48

Air Conditioning: Available only when auxiliary top is ordered. Includes HD radiator and 42-amp generator..... C60

Battery:
Auxiliary..... TP2
Heavy-duty; 12-volt, 66-plate, 70-amp-hr..... T60

Belts, Seat: Installed for third passenger. Available only when rear seat is ordered..... A68

Belts, Shoulder: Available only when auxiliary top is ordered
Driver only; not available when passenger seat is specified..... A85
Driver and passenger; available only when passenger seat is ordered..... A85
Rear seat; LH & RH passenger only. Available only when rear seat is ordered..... AS5

Brakes: Vacuum Power..... J70

C-K10 SERIES BLAZER

OPTIONS & ACCESSORIES WHEN INSTALLED BY CHEVROLET

Description	Option Number	Factory D & H	List Price	Mfr's Suggested Retail Delivered Price [◇]
Bumpers:				
<i>Painted;</i> Rear step				
Without Custom Sport Truck	V43			
With Custom Sport Truck	V43			
<i>Chromed;</i>				
Front and rear; included when Custom Sport Truck is ordered	V37			
Front; with rear step bumper only. Not available when Custom Sport Truck is ordered	V46			
Caps, Hub: Chromed; not available when 10-16.5/6 PR tires are ordered ..	P03			
Clutch, Heavy-Duty: Diameter 11". Available on CS-KS10 models with 250 engine and standard 3-speed transmission only. Included when 4-speed transmission is ordered	M01			
Cooling:				
<i>HD radiator only;</i> included when air conditioning or automatic transmission is ordered	V01			
<i>HD radiator and extra-HD cooling equipment.</i>	V05			
Custom Moldings:				
Bright Lower Body Side Moldings. Includes bright metal fender, door, body side, taillight and back-up light moldings and bright fuel filler cap. Included when Custom Sport Truck is ordered	BX2			
Custom Sport Truck:				
Includes bucket seats; console; RH sunshade and armrest; cigar lighter; CST emblems; special insulation; undercoating; chromed bumpers; bright control knob and pedal trim; bright windshield, body side, tailgate, taillight and back-up light moldings, bright fuel filler cap, side marker reflectors and bright transfer case shift lever				
<i>With auxiliary top with rear seat</i>				
Also includes bright vent window molding; embossed vinyl door and body trim panels with bright upper retainers; spare tire cover and front & rear color-keyed carpeting	Z84			
<i>With auxiliary top without rear seat</i>				
Also includes bright vent window molding; embossed vinyl door and body trim panels with bright upper retainers; spare tire cover; front color-keyed carpeting and rear color-keyed vinyl coated rubber floor mat	Z84			
<i>Without auxiliary top</i>				
Also includes front color-keyed vinyl coated rubber floor mat	Z84			

◇ State and local taxes not included.

C-K10 SERIES BLAZER

OPTIONS AND ACCESSORIES WHEN INSTALLED BY CHEVROLET

Description	Option Number	Factory D & H	List Price	Mfr's Suggested Retail Delivered Price [◇]
Emission Control, Evaporative: Approved by state of California and exclusive to California vehicle registration only.....	NA9			
Gauges:				
Ammeter, engine temperature & oil pressure.....	Z53			
Tachometer, ammeter, engine temperature and oil pressure.....	U16			
Generators:				
42-amp Delcotron; included when air conditioning is ordered.....	K79			
61-amp Delcotron.....	K76			
Glass, Door: Frameless drop glass windows and framed vent window glass. Included when auxiliary top is ordered.				
With Bucket Seats or Custom Sport Truck; also includes chrome vent moldings.....	A09			
Without Bucket seats or Custom Sport Truck.....	A09			
Glass, Soft-Ray:				
All windows; available only when auxiliary top or door glass is ordered..	A11			
Guards, Door Edge	B93			
Heater, Engine Block	K05			
Hooks, Towing: Two, front. Not available when chromed front bumper or Custom Sport Truck is ordered.....	V76			
Hubs, Free-Wheeling: K10 models only. Manual control at hubs.....	F76			
Lamps, Courtesy	U29			
Paint, Exterior: See Color & Trim Chart				
Solid color.....				
Plate: Serial Number (State of Pennsylvania "K" Plate); HD rear springs required on C10 models.....	Z55			
Radio: Pushbutton.....	U63			
Seats, Front:				
<i>Auxiliary One-Passenger.</i> Includes RH sunshade, armrest and seat belts. Not available when bucket seats or Custom Sport Truck is ordered.....	AN3			
<i>Bucket Driver & Passenger.</i> Includes console, RH sunshade, armrest and seat belts. Included when Custom Sport Truck is ordered				
With auxiliary top; also includes front compartment color-keyed carpeting	A50			
Without auxiliary top; also includes front compartment color-keyed vinyl coated rubber mat.....	A50			
Seat, 3-Passenger Rear: Seat trim matches front seat. Includes LH & RH rear armrests and seat belts. Available only when G78-15, H78-15, 6.50-16 or truck-type tires are ordered				
With standard front seat				
Also includes black embossed rubber rear floor mat.....	AS3			
With bucket seats with auxiliary top				
Also includes color-keyed rear floor carpeting.....	AS3			
With bucket seats without auxiliary top				
Also includes color-keyed vinyl coated rubber rear floor mat.....	AS3			

◇ State and local taxes not included.

C-K10 SERIES BLAZER

OPTIONS AND ACCESSORIES WHEN INSTALLED BY CHEVROLET

Description	Option Number	Factory D & H	List Price	Mfr's Suggested Retail Delivered Price◇
Shock Absorbers; Heavy-duty:				
<i>Front and rear</i>	F51			
<i>Rear only</i>	G68			
<i>Rear Superlift</i>	G66			
Speed & Cruise Control: C10 models with 350 engine only. Not available when manual throttle is ordered.....				
	K30			
Springs:				
<i>Front;</i>				
C10 models; capacity 1350-lb each.....	F60			
K10 models; 1750-lb each.....	F60			
<i>Rear;</i>				
C10 models; capacity 2000-lb each.....	G50			
Stabilizer, Front: C10 models only.....	F59			
Steering, Power	N40			
Throttle Control: Manual.....	K31			
Tires and Wheels: See page 15				
Top, Auxiliary: Fiberglass with textured paint. Includes rear side windows and upper lift gate with fixed rear window plus front doors with vent windows and frameless drop glass and shoulder belt anchor				
<i>White</i>	Z58			
<i>Black</i>	Z59			
Wheel Covers: Bright metal. Front units for K10 models have holes to clear hubs. Available only when E78-15, G78-15 or H78-15 tires are ordered....				
	P01			

◇ State and local taxes not included.

C-K10 SERIES BLAZER

TUBE-TYPE TIRES (Factory Installed)

Tire and Wheel Type		Rim Width Included In Tire Option	Option Number	Factory D & H	List Price	Mfr's Suggested Retail Delivered Price \diamond
All tires have black sidewalls except as indicated.						
678-15/B						
(Pass type) — Highway	(5) Front, rear, spare	5½	RL5			
— Fiberglass	(2) Front; C10 only	5½	RL5			
— Belted	(3) Front, spare; C10 only	5½	RL5			
— On-Off Road	(5) Front, rear, spare;					
— Fiberglass	K10 only	5½	RL4			
— Belted	(2) Rear; C10 only	5½	RL4			
	(3) Rear, spare; C10 only	5½	RL4			
6.50-16/6PR						
(Pass type) — Highway	(5) Front, rear, spare	5.00	R61			
— Original	(2) Front; C10 only	5.00	R61			
— Equipment	(3) Front, spare; C10 only	5.00	R61			
— On-Off Road	(5) Front, rear, spare;					
— Original	K10 only	5.00	R69			
— Equipment	(2) Rear; C10 only	5.00	R69			
	(3) Rear, spare; C10 only	5.00	R69			
7.00-15/6PR Maximum Tire Capacity—Front (1720) Rear (1720)						
(Truck type) — Highway	(5) Front, rear, spare	5.50	R44			
— Nylon	(2) Front; C10 only	5.50	R44			
	(3) Front, spare; C10 only	5.50	R44			
— On-Off Road	(5) Front, rear, spare;					
— Nylon	K10 only	5.50	R43			
	(2) Rear; C10 only	5.50	R43			
	(3) Rear, spare; C10 only	5.50	R43			

TUBELESS TIRES (Factory Installed)

E78-15/B						
(Pass type) — Highway	(5) Front, rear, spare	5½	Std			
— Fiberglass	(5) Front, rear, spare					
— Belted	(Whitewall)	5½	RH3			
— On-Off Road	(5) Front, rear, spare;					
— Fiberglass	K10 only	5½	RH2			
— Belted	(2) Rear; C10 only	5½	RH2			
	(3) Rear, spare; C10 only	5½	RH2			
G78-15/B						
(Pass type) — Highway	(5) Front, rear, spare	5½	PU7			
— Fiberglass	(2) Front; C10 only	5½	PU7			
— Belted	(3) Front, spare; C10 only	5½	PU7			
	(5) Front, rear, spare					
— On-Off Road	(Whitewall)	5½	PU8			
— Fiberglass	(5) Front, rear, spare;					
— Belted	K10 only	5½	RL3			
	(2) Rear; C10 only	5½	RL3			
	(3) Rear, spare; C10 only	5½	RL3			
H78-15/B						
(Pass type) — Highway	(5) Front, rear, spare	5½	PV5			
— Fiberglass	(2) Front; C10 only	5½	PV5			
— Belted	(3) Front, spare; C10 only	5½	PV5			
	(5) Front, rear, spare					
— On-Off Road	(Whitewall)	5½	PV6			
— Fiberglass	(5) Front, rear, spare;					
— Belted	K10 only	5½	RM1			
	(2) Rear; C10 only	5½	RM1			
	(3) Rear, spare; C10 only	5½	RM1			

WIDE BASE TUBELESS TIRES (Factory Installed)

8.75-16.5/6 Maximum Tire Capacity—Front (1990) Rear (1990)						
— Highway	(5) Front, rear, spare;					
— Nylon	K10 only	6.00	RP5			
— On-Off Road	(5) Front, rear, spare;					
— Nylon	K10 only	6.00	RP2			

TUBELESS FLOTATION-TYPE TIRES (Factory Installed)

10-16.5/6PR Maximum Tire Capacity—Front (2330) Rear (2330)						
— Highway	(5) Front, rear, spare;					
— Nylon	K10 only	8.25	R79			
— On-Off Road	(5) Front, rear, spare;					
— Nylon	K10 only	8.25	RR2			

\diamond State and local taxes not included.

K/5 BLAZER POWER TEAMS

SERIES C10, K/5 BLAZER

ENGINE	TRANSMISSION	AXLE RATIOS	
		STD	OPT
250 Six	Chevrolet 3-Speed	3.73	3.07; 4.11
	Chevrolet CH465 4-Speed	3.73	3.07; 4.11
	Turbo Hydra-matic	3.73	3.07; 4.11
307 V8	Chevrolet 3-Speed	3.73	3.07; 4.11
	Chevrolet CH465 4-Speed	3.07	3.73; 4.11
	Turbo Hydra-matic	3.07	3.73; 4.11
350 V8	Chevrolet CH465 4-Speed	3.07	3.73; 4.11
	Turbo Hydra-matic	3.07	3.73; 4.11

SERIES K10, K/5 BLAZER

ENGINE	TRANSMISSION	TRANSFER CASE	AXLE RATIOS	
			STD	OPT
250 Six	Chevrolet 3-Speed	Dana #20	3.73	—
	Chevrolet CH465 4-Speed	Dana #20	3.73	—
	Turbo Hydra-matic	New Process 205	3.73	—
307 V8	Chevrolet 3-Speed	Dana #20	3.73	—
	Chevrolet CH465 4-Speed	Dana #20	3.73	—
	Turbo Hydra-matic	New Process 205	3.73	—
350 V8	Chevrolet CH465 4-Speed	Dana #20	3.07	—
	Turbo Hydra-matic	New Process 205	3.07	—

NOTES