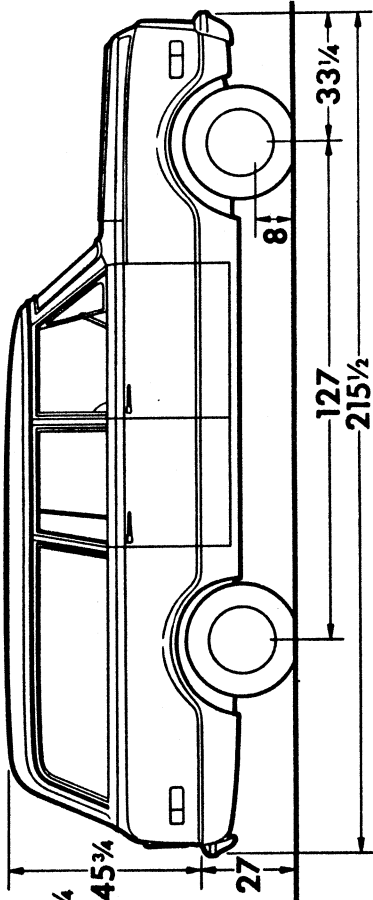
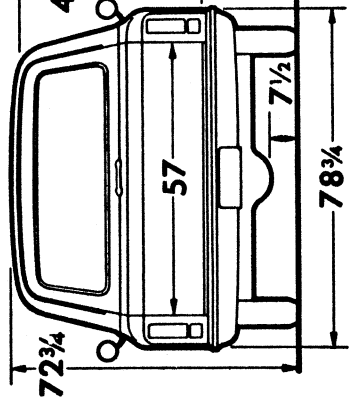


Six-Cylinder Models

CS10906 Suburban Carryall
CS10916 Suburban Carryall



CE10906 Suburban Carryall
CE10916 Suburban Carryall

Models	Dimensions (in)★		Curb Weights (lb)		
	WB	OL	Front	Rear	Total
CS10906 CE10906	127	215½	1904 2003	1927 1944	3831 3947
CS10916 CE10916	127	215½	1889 1986	1912 1929	3801 3915

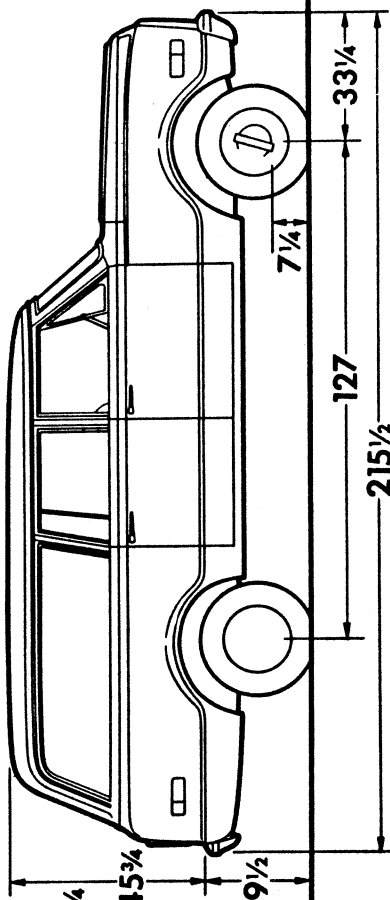
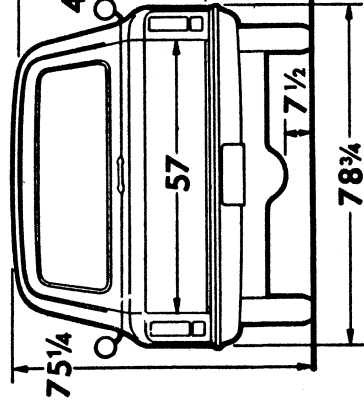
★Dimensions with std equipment, unloaded.

SERIES K10 GVW Ratings up to 5800 lb

SERIES K10—SUBURBAN CARRYALLS°

Six-Cylinder Models

KS10906 Suburban Carryall
KS10916 Suburban Carryall



V8 Models

KE10906 Suburban Carryall
KE10916 Suburban Carryall

Models	Dimensions (in)★		Curb Weights (lb)		
	WB	OL	Front	Rear	Total
KS10906 KE10906	127	215½	2141 2259	2066 2092	4207 4351

Axle, Front: Independent; capacity 2500 lb
Axle, Rear: Hypoid semi-floating type; ratio 3.73; capacity 3500 lb

Battery: 12-volt, 54-plate; capacity 53 amp-hr
Bodies: See *Cabs, Bodies & Colors*

Brakes, Service: Hydraulic; self-adjusting; dual system
Sizes: front 11" x 2"; rear 11" x 2"
Effective area: drum 276 sq in; lining 167 sq in

Brake, Parking: Cable to rear wheels; area 83 sq in; foot operated

Bumpers: Front & rear; painted
Carburetor: CS10: single-barrel downdraft
CE10: two-barrel downdraft

Clutch: CS10: diameter 10"; area 100 sq in
CE10: diameter 11"; area 124 sq in

Cooling: CS10: 1 1/4" radiator core, cross-flow type; 446-sq-in area; 13-lb pressure cap
CE10: 1 1/4" radiator core, cross-flow type; 480-sq-in area; 13-lb pressure cap

Controls & Instruments: Light switch; windshield wiper-washer switch; headlight beam control; speedometer; odometer; fuel gauge. Lights for generator, oil pressure, engine temperature, brake warning, direction signals and high beam indicator. Ignition switch with accessory position

Direction Signals: Class A; two front and two rear. Includes freeway lane-change position on switch & integral hazard warning switch

Doors, Rear:
06 models: Two; side-hinged
16 models: End/lift gate

Doors, Side: Three; two right & one left
*** Engine:** CS10: 250 Six; closed positive crankcase ventilation

Gross horsepower..... 155 @ 4200 rpm
Net horsepower..... 120 @ 3800 rpm
Gross torque, lb-ft..... 235 @ 1600 rpm
Net torque, lb-ft..... 210 @ 2000 rpm
CE10: 307 V8; closed positive crankcase ventilation
Gross horsepower..... 200 @ 4600 rpm
Net horsepower..... 150 @ 4000 rpm
Gross torque, lb-ft..... 300 @ 2400 rpm
Net torque, lb-ft..... 255 @ 2000 rpm
*Rating shown with exhaust emission controls

GVW SELECTOR

GVW Rating (lb)	Chassis Equipment Required for GVW Rating
4400	Standard
5400 ♦	1350-lb ea front spring 2000-lb ea rear spring

Exhaust System: Single pipe & aluminized muffler
→ **Filter, Fuel:** Plastic mesh in fuel tank
CS10: Paper type in carburetor
CE10: Sintered bronze in carburetor

Filter, Oil: CS10: full-flow; 1-quart; throwaway type
CE10: full-flow; 1-quart; replaceable element

Frame: 39,000-lb-test steel; section modulus 2.98

Fuel Pump: Single action

Generator: 37-amp Delco-tron

GVW Plate: 5400 lb

Heater & Defroster: Deluxe-Air
Lights & Reflectors: Two headlights; two Class A front combination parking/direction signals; two Class A rear combination tail/stop/direction signals; two front & two rear side marker reflectors; two backup; one license; instrument panel & dome

Mirror, Rearview: Exterior RH & LH 6 1/4" fixed arm and inside prismatic non-glare shatterproof

Seat: Full-width bench; front only; vinyl trim

Seat Belts: Includes retractors, driver & passenger

Shock Absorbers: Front & rear; piston diameter 1"

Springs, Front: Coil; capacity 1250 lb each
Springs, Rear: Coil; capacity 1250 lb each

Steering: Ball-gear; ratio 24:1; wheel, oval 17 1/2" x 17", 2-spoke

Tank, Fuel: Inside frame at rear; capacity approximately 23.5 gal

Tires: Five tubeless 8.25-15/4PR front, single rear and spare

Tools: 2500-lb mechanical jack; wheel wrench

Transmission: 3-speed fully synchronized; steering column gearshift; ratios 2.85, 1.68, 1.00, 2.95 (rev)

Wheels: Five 15" x 5 1/2"; attachment 6 studs on 5 1/2" circle; spare carrier inside RH cargo area; four painted hubcaps
Windshield Wipers & Washer: Electric; 2-speed wipers

Note: Be sure to recommend adequate springs and tires for total axle loads. See *Optional Equipment and Tire & Wheel Combination* pages.

& Clutch section for types used

axle cleaner: One-piece paper element

Axle, Front: Hypoid, ratio 3.73; capacity 3300 lb; yoke and trunion universal joints
Axle, Rear: Hypoid semi-floating type; ratio 3.73; capacity 3300 lb
Battery: 12-volt, 54-plate; capacity 53 amp-hr
Bodies: See *Cabs, Bodies & Colors*
Brakes, Service: Hydraulic; self-adjusting; dual system

Sizes: front 11" x 2"; rear 11" x 2"
Effective area: drum 276 sq in; lining 167 sq in
Brake, Parking: Cable to rear wheels; area 83 sq in; foot operated
Bumpers: Front & rear, painted
Carburetor: KS10: single-barrel downdraft
KE10: two-barrel downdraft
Clutch: KS10: diameter 10"; area 100 sq in
KE10: diameter 11"; area 124 sq in
Cooling: KS10: 1 1/4" radiator core, cross-flow type; 446-sq-in area; 13-lb pressure cap
KE10: 1 1/4" radiator core, cross-flow type; 480-sq-in area; 13-lb pressure cap

Controls & Instruments: Windshield wiper-washer switch; light switch; headlight beam control; speedometer; odometer; fuel gauge. Lights for generator, oil pressure, engine temperature, brake warning, direction signals and high beam indicator. Ignition switch with accessory position
Direction Signals: Class A; two front and two rear. Includes freeway lane change position on switch & integral hazard warning switch
Doors, Rear:
06 models: Two; side-hinged
16 models: End/lift gate
Doors, Side: Three; two right & one left

*** Engine:** KS10: 250 Six; closed positive crankcase ventilation
Gross horsepower.....155 @ 4200 rpm
Net horsepower.....120 @ 3800 rpm
Gross torque, lb-ft.....235 @ 1600 rpm
Net torque, lb-ft.....210 @ 2000 rpm
KE10: 307 V8; closed positive crankcase ventilation
Gross horsepower.....200 @ 4600 rpm
Net horsepower.....150 @ 4000 rpm
Gross torque, lb-ft.....300 @ 2400 rpm
Net torque, lb-ft.....255 @ 2000 rpm
*Rating shown with exhaust emission controls

*** Engine:** KS10: 250 Six; closed positive crankcase ventilation
Gross horsepower.....155 @ 4200 rpm
Net horsepower.....120 @ 3800 rpm
Gross torque, lb-ft.....235 @ 1600 rpm
Net torque, lb-ft.....210 @ 2000 rpm
KE10: 307 V8; closed positive crankcase ventilation
Gross horsepower.....200 @ 4600 rpm
Net horsepower.....150 @ 4000 rpm
Gross torque, lb-ft.....300 @ 2400 rpm
Net torque, lb-ft.....255 @ 2000 rpm
*Rating shown with exhaust emission controls

GVW SELECTOR

GVW Rating (lb)	Chassis Equipment Required for GVW Rating
4600	

Frame: 39,000-lb-test steel; section modulus 3.48
Fuel Pump: Single action
Generator: 37-amp Delco-tron
GVW Plate: 5800 lb
Heater & Defroster: Deluxe-Air
Lights & Reflectors: Two headlights; two Class A front combination parking/direction signals; two Class A rear combination tail/stop/direction signals; two front & two rear side marker reflectors; two backup; one license; instrument panel & dome
Mirror, Rearview: Exterior RH & LH 6 1/4" fixed arm and inside prismatic non-glare shatterproof
Seat: Full-width bench; front only; vinyl trim
Seat Belts: Driver & passenger. Includes retractors
Shock Absorbers: Front & rear; piston diameter 1"
Springs, Front: Tapered-leaf; capacity 1450 lb each
Springs, Rear: Two-stage, combination multi-leaf & tapered-leaf; capacity 1800 lb each
Steering: Ball-gear, ratio 24:1; wheel, oval 17 1/2" x 17", 2-spoke
Tank, Fuel: Inside frame at rear; capacity approx 23.5 gal
Tires: Five tubeless 8.25-15/4PR front, single rear and spare
Tools: 2500-lb mechanical jack; wheel wrench
*** Transfer Case:** Rockwell T-221, 2-speed; ratios 1.94 and 1.00; power take-off opening at rear, single control lever
Transmission: 3-speed fully synchronized; steering column gearshift; ratios 3.03, 1.75, 1.00, 3.02 (rev)
Wheels: Five 15" x 5 1/2"; attachment, 6 studs on 5 1/2" circle; spare carrier inside RH cargo area
Windshield Wipers & Washer: Electric; 2-speed wipers

Note: Be sure to recommend adequate springs and tires for total axle loads. See *Optional Equipment and Tire & Wheel Combination pages.*

Model Description	Base	Factory D & H	Price	Ag't a Dealer NVPC*	Price*	Charge & Group Number	Total
6-Cylinder 155-hp High Torque 250 Engine							
CS10906 Suburban Carryall (Panel Doors).....	127"		\$2898.00	\$40.00	\$3099.00	20	
KS10906 Suburban Carryall (Panel Doors).....	127"		3503.00	40.00	3738.00	25	
CS10916 Suburban Carryall (End Gate).....	127"		2928.00	40.00	3131.00	20	
KS10916 Suburban Carryall (End Gate).....	127"		3533.00	40.00	3770.00	25	
8-Cylinder 200-hp High Torque 307 Engine							
CE10906 Suburban Carryall (Panel Doors).....	127"		2988.00	40.00	3194.00	20	
KE10906 Suburban Carryall (Panel Doors).....	127"		3593.00	40.00	3833.00	25	
CE10916 Suburban Carryall (End Gate).....	127"		3018.00	40.00	3226.00	20	
KE10916 Suburban Carryall (End Gate).....	127"		3623.00	40.00	3865.00	25	

* Manufacturer's Suggested Dealer New Vehicle Preparation Charge.
 * Manufacturer's Suggested Retail Prices do not include state and local taxes, license fees, options or accessories.

OPTIONS & ACCESSORIES WHEN INSTALLED BY CHEVROLET

Description	Option Number	Factory D & H	List Price	Mfr's Suggested Retail Delivered Price
-------------	---------------	---------------	------------	--

POWER TEAMS & AXLES

Engine: 292 Six: Includes 11" dia clutch. CS-KS10 models only. 350 V8; CE-KE10 models only. Includes 4-barrel carburetor, 3.07 ratio rear axle (C10 only) and 12" clutch 350 V8, heavy-duty: CE-KE10 models only. Includes 4-barrel carburetor, 3.07 ratio rear axle (C10 only) and 12" clutch. 396 V8; CE10 models only. Not available when Powerglide or overdrive transmission is ordered. Includes 4-barrel carburetor, dual exhaust, 12" clutch, 3.07 ratio rear axle with std or Turbo Hydra-Matic transmission or 3.54 ratio rear axle with 4-speed transmission. Liquid Petroleum Gas Conversion; available on C10 models when 6-cyl or 350 V8 (HD) engine is ordered With 6-cyl engine With 350 V8 (HD) engine	L25 L59 L58 L47 L56 L56	\$ 4.80 1.90 3.20 8.00 4.00 2.15	\$ 90.00 35.00 60.00 150.00 75.00 40.00	\$ 94.80 36.90 63.20 158.00 79.00 42.15
Transmission: Powerglide: C10 models only. Includes HD radiator and 3.07 ratio rear axle with 396 engine. Not available when 396 engine or governor is ordered CE10 models Turbo Hydra-Matic; C10 models only. Includes HD radiator and 3.07 ratio rear axle on CE10 models. Not available when governor is ordered With 396 engine Without 396 engine Chevrolet 4-speed; includes 3.07 ratio rear axle with 307 or 350 V8 engines and 3.54 ratio rear axle with 396 V8 engine C10 series With 396 engine Without 396 engine K10 series New Process 435CR 4-speed (close-ratio); C10 models only. Includes 3.54 ratio rear axle when 396 engine is ordered and 3.07 ratio rear axle when 350 engine is ordered With 396 engine Without 396 engine Overdrive; C10 models only. Includes 4.11 ratio rear axle; not available when governor equipment or 350 or 396 engine is ordered Ratio 3.07; included when Turbo Hydra-Matic or Chevrolet 4-speed transmission is ordered with 307 engine only Ratio 4.11; included when overdrive transmission is ordered. Not available	M35 M35 M49 M49 M20 M20 M20 M28 M28 M10 H01 H01 H05	9.35 9.85 12.00 11.45 8.00 4.80 4.80 9.60 6.40 6.15 .35 1.00 .15	175.00 185.00 225.00 215.00 150.00 90.00 90.00 180.00 120.00 115.00 6.50 18.00 2.00	184.35 194.85 237.00 226.45 158.00 94.80 94.80 189.60 126.40 121.15 6.85 19.00 2.15

OTHER OPTIONS

	\$		\$10.00	\$10.55
Air Cleaner: Oil-bath; capacity 1 quart. Not available on CE10 models when 396 engine or automatic transmission is ordered.		K48		
Air Cleaner, Heavy-Duty: Includes oil-bath pre-cleaner. Not available on CE10 models when 396 engine or automatic transmission is ordered or CS10 models when power steering is ordered with 292 engine.	2.95		55.00	57.95
Air Conditioning, Roof Mounted: Available only when Custom Comfort & Appearance is ordered. Includes H.D. radiator and 42-amp generator.	26.60		500.00	526.60
Battery: Heavy-duty; 66-plate, 70-amp-hr. Included when HD starting motor is ordered.40		7.00	7.40
Seats: Installed for third passenger				
For front seat; not available when bucket seats are ordered.35		6.00	6.35
For optional center seat.35		6.00	6.35
For optional center & rear seats.65		12.00	12.65
Belts, Shoulder: Color-keyed				
Front seat; driver & passenger.	1.35		25.00	26.35
Center seat; RH & LH passenger positions.	1.35		25.00	26.35
Center & rear seat; RH & LH passenger positions on rear seat, LH passenger positions on center seat.	2.00		37.50	39.50
Brakes: Vacuum Power:				
C10 models; also includes 11" x 2.75"	3.85		72.00	75.85
Front brakes.	2.25		42.00	44.25
K10 models.	1.40		26.00	27.40
Bumpers: Chromed; front & rear.55		10.00	10.55
Caps, Hub: Chromed; C10 models only.				
Clutch, HD: diameter 11"; available on 250 engine with 3-speed or New Process 4-speed transmission only. Included when Chevrolet 4-speed transmission or 292 engine is ordered.30		5.50	5.80
Cooling: Not available when roof mounted air conditioning is ordered				
Heavy-duty radiator only. Included when automatic transmission is ordered	1.10		20.00	21.10
HD radiator and extra-HD cooling equipment.	2.30		43.00	45.30
Custom Comfort and Appearance Option: Includes vent window, rear window and windshield moldings; chromed control knob trim; custom emblems; color-keyed floor mat; white hardboard headlining; vinyl sidewall trim panels; spare wheel cover; full-depth foam seat with fabric upholstery (except when bucket seats are ordered); cigar lighter; and special insulation. Bright glove box nameplate and dome lamp bezel				
<i>For use with standard front seat</i>				
When optional seats are not ordered.	8.05		151.00	159.05
When optional center seat is ordered; also includes matching fabric upholstery.	8.60		161.00	169.60
When optional center & rear seats are ordered; also includes matching fabric upholstery.	9.10		171.00	180.10
When bucket front seats are ordered.	5.95		111.00	116.95
When custom deluxe front seat is ordered.	5.95		111.00	116.95
Custom Molding:				
Belt line molding; includes bright fuel filler cap.	1.60		30.00	31.60
Lower fender, door & body moldings; includes bright fuel filler cap.	1.90		35.00	36.90
Filter, Fuel.	.40		7.50	7.90
Gauges: Ammeter, engine temperature & oil pressure.55		10.00	10.55
Tachometer, ammeter, engine temperature & oil pressure.	2.65		49.00	51.65
Generator, Alternating Current:				
42-amp Delcoiron.	1.10		20.00	21.10
61-amp Delcoiron.	1.50		28.00	29.50
62-amp Delcoiron.	4.45		83.00	87.45
Glass, Soft-Ray: All windows.	1.05		19.00	20.05
Windshield only.75		14.00	14.75
Governor: Not available when automatic or overdrive transmission is ordered. Includes manual choke.				
For 250 engine—1800-3000 rpm (low rpm setting)95		17.00	17.95
—2800-4000 rpm (high rpm setting)95		17.00	17.95
For 292 engine—2100-3000 rpm (low rpm setting)95		17.00	17.95
—2800-3900 rpm (high rpm setting)95		17.00	17.95
For 307 engine—2300-3100 rpm (low rpm setting)95		17.00	17.95
—2800-4100 rpm (high rpm setting)95		17.00	17.95

Delivered Price

Number

OTHER OPTIONS (Continued)

Description	D & H	Price	Delivered Price
Guards: Door edge.....			
Heater, Engine Block			
Hooks, Towing: Two front. Not available with chrome bumper.....			
Hubs, Free-Wheeling: Front, manual control at hubs; K10 models only.....			
Lamps:			
Roof marker; five.....			
Side marker; front and rear.....			
Mirror, Exterior: Replacing standard RH & LH mirrors			
Below-Eye-Line type.....			
7.5" x 10.5" painted.....			
7.5" x 10.5" stainless steel.....			
Paint, Exterior: See Color & Trim chart			
Solid colors.....			
Conventional two-tone; with white secondary color.....			
Special two-tone; with white upper and lower secondary colors.....			
Available only when Custom lower moldings are ordered.....			
Plate: Serial Number (State of Pennsylvania); 2000-lb capacity HD rear springs required.....			
Radio: Pushbutton control.....			
Seats, Front:			
<i>Front; Custom Deluxe Vinyl, Full-Width. Includes front seat area carpeting</i>			
When optional rear seats are not ordered.....			
When center seat is ordered; also includes center seat area carpeting and matching interior.....			
When center and rear seats are ordered; also includes center seat area carpeting and matching interior.....			
<i>Front, Bucket, Driver & Passenger. Includes front seat area floor carpeting and center console</i>			
When optional rear seats are not ordered.....			
When center seat is ordered; also includes center seat area carpeting and matching interior.....			
When center and rear seats are ordered; also includes center seat area carpeting and matching interior.....			
Seats, Rear:			
<i>Seat trim always matches the front seats whether standard or optional. The price of matching seat trim included in Custom Comfort & Appearance, or optional front seats when ordered</i>			
<i>Center Seat;</i> includes HD front & rear springs (C10 models only), RH & LH armrests and seat belts. Available only when 8.25-15/8PR or truck-type tires are ordered.....			
<i>Center & Rear Seat;</i> includes HD front & rear springs (C10 models only), RH & LH armrests and seat belts. Available only when 8.25-15/8PR or truck-type tires are ordered.....			
Shock Absorbers: Heavy-duty			
Front and rear.....			
Rear only.....			
Speed & Cruise Control: C10 models only. Not available when 396 engine or HD air cleaner is ordered.....			
Speed Warning Indicator			
Springs: HD. Included when center or rear seat is ordered on C10 models			
<i>Front;</i> C10 models; capacity 1750-lb each.....			
<i>Rear;</i> capacity 2000-lb each. C10 models with HD front springs only.....			
<i>Auxiliary Rear;</i> capacity 500-lb each; C10 models only.....			
Stabilizer, Front: C10 models only.....			
Starting Motor, Heavy-Duty: Includes HD battery. Not available when Turbo Hydra-Matic transmission is ordered			
With Automatic transmission.....			
Without Automatic transmission.....			
Steering, Power:			
C10 models only.....			
K10 models only.....			
Switch, Door Jamb: Not available when Custom Sport Truck is ordered..			
Tires: See tire pages			
Wheel Covers: Bright metal; C10 models with 7.75-15 or 8.25-15 tires only P01			

Tire Size & Type
 All tires have black sidewalls except as indicated.

Tire Size & Type	Width Included In Tire Option	Option Number	Factory D & H	List Price	Suggested Retail Delivered Price
7.75-15/8PR—Highway Original Equipment	(5) Front, rear, spare.....	5½ QA4	\$ 3.35	\$ 27.00	\$ 30.35
8.25-15/4PR—Highway *Original Equipment	(5) Front, rear, spare.....	RL2	N.C.	3.00	3.00
	(2) Front; C10 only.....	RL2	N.C.	1.20	1.20
	(3) Front, spare; C10 only...	RL2	N.C.	1.80	1.80
—Highway Nylon	(5) Front, rear, spare.....	R53	1.00	15.00	16.00
	(2) Front; C10 only.....	R53	.40	6.00	6.40
	(3) Front, spare; C10 only...	R53	.60	9.00	9.60
—On-Off-Road Original Equipment	(5) Front, rear, spare; K10 only.....	R56	1.75	18.00	19.75
	(2) Rear; C10 only.....	R56	.70	7.20	7.90
	(3) Rear, spare; C10 only...	R56	1.05	10.80	11.85
6.50-16/6PR—Highway Original Equipment	(5) Front, rear, spare.....	R61	5.15	47.00	52.15
(Pass type)	(2) Front; C10 only.....	R61	2.05	18.80	20.85
	(3) Front, spare; C10 only...	R61	3.10	28.20	31.30
—On-Off-Road Nylon	(5) Front, rear, spare; K10 only.....	R69	6.00	62.00	68.00
	(2) Rear; C10 only.....	R69	2.40	24.80	27.20
	(3) Rear, spare; C10 only...	R69	3.60	37.20	40.80
6.50-16/6PR Maximum Tire Capacity—Front (1610) Rear (1610)					
(Truck type) —Highway Nylon	(5) Front, rear, spare.....	R65	6.75	87.00	93.75
	(2) Front; C10 only.....	R65	2.70	34.80	37.50
	(3) Front, spare; C10 only...	R65	4.05	52.20	56.25
—On-Off-Road Nylon	(5) Front, rear, spare; K10 only.....	R64	10.00	137.00	147.00
	(2) Rear; C10 only.....	R64	4.00	54.80	58.80
	(3) Rear, spare; C10 only...	R64	6.00	82.20	88.20
7.00-15/6PR Maximum Tire Capacity—Front (1720) Rear (1720)					
—Highway Nylon	(5) Front, rear, spare.....	R44	10.00	121.00	131.00
	(2) Front; C10 only.....	R44	4.00	48.40	52.40
	(3) Front, spare; C10 only...	R44	6.00	72.60	78.60
—On-Off-Road Nylon	(5) Front, rear, spare; K10 only.....	R43	13.50	171.00	184.50
	(2) Rear; C10 only.....	R43	5.40	68.40	73.80
	(3) Rear, spare; C10 only...	R43	8.10	102.60	110.70

Tire Size and Type
 All tires have black sidewalls except as indicated.
 Note: Front and rear tires must be of the same construction (regular or nylon).

Tire Size and Type	Width In Tire Option	Option Number	Factory D & H	List Price	Mfr's Suggested Retail Delivered Price
7.75-15/8PR - Highway Original Equipment	5 1/2	QA2	\$ 3.45	\$ 27.00	\$ 30.45
(5) Front, rear, spare					
(5) Front, rear, spare (Whitewall)	5 1/2	QA3	5.25	68.00	73.25
8.25-15/4PR - Highway *Original Equipment	5 1/2	Sid	N.C.	N.C.	N.C.
(5) Front, rear, spare					
(5) Front, rear, spare (Whitewall)	5 1/2	R51	1.50	34.00	35.50
- Highway Nylon	5 1/2	Q05	1.60	15.00	16.60
(5) Front, rear, spare					
(2) Front; C10 only	5 1/2	Q05	.65	6.00	6.65
(3) Front, spare; C10 only	5 1/2	Q05	.95	9.00	9.95
- On-Off-Road Original Equipment	5 1/2	R55	2.00	15.00	17.00
(5) Front, rear, spare; K10 only					
(2) Rear; C10 only	5 1/2	R55	.80	6.00	6.80
(3) Rear, spare; C10 only	5 1/2	R55	1.20	9.00	10.20
8.25-15/8PR - Highway *Original Equipment	5 1/2	QA5	4.25	30.00	34.25
(5) Front, rear, spare					
(2) Front; C10 only	5 1/2	QA5	1.70	12.00	13.70
(3) Front, spare; C10 only	5 1/2	QA5	2.55	18.00	20.55
- On-Off-Road Original Equipment	5 1/2	QA6	5.65	64.00	69.65
(5) Front, rear, spare; K10 only					
(2) Rear; C10 only	5 1/2	QB4	5.00	45.00	50.00
(3) Rear, spare; C10 only	5 1/2	QB4	2.00	18.00	20.00
(3) Rear, spare; C10 only	5 1/2	QB4	3.00	27.00	30.00
6.50-16/6PR - Highway Original Equipment	5.00	R59	4.65	47.00	51.65
(5) Front, rear, spare					

Tire Size and Type	Width In Tire Option	Option Number	Factory D & H	List Price	Mfr's Suggested Retail Delivered Price
6.50-16/6PR Maximum Tire Capacity - Front (1610) Rear (1610) (Truck type) - Highway Nylon	5.00	R60	7.25	87.00	94.25
(5) Front, rear, spare					

WIDE BASE TUBELESS TIRES (Factory Installed)

Tire Size and Type	Width In Tire Option	Option Number	Factory D & H	List Price	Mfr's Suggested Retail Delivered Price
8.00-16.5/6PR Maximum Tire Capacity - Front (1730) Rear (1730) - Highway Nylon	6.00	R70	13.25	162.50	175.75
(5) Front, rear, spare					
(2) Front; C10 only	6.00	R70	5.30	65.00	70.30
(3) Front, spare; C10 only	6.00	R70	7.95	97.50	105.45
- On-Off-Road Nylon	6.00	RQ2	15.25	207.50	222.75
(5) Front, rear, spare; K10 only					
(2) Rear; C10 only	6.00	RQ2	6.10	83.00	89.10
(3) Rear, spare; C10 only	6.00	RQ2	9.15	124.50	133.65

State and local taxes not included. * 2-ply construction. 4-ply rating.

ENGINE	TRANSMISSION	AXLE RATIOS	
		STD	OPT
250 Six 292 Six	Chevrolet 3-Speed	3.73	3.07; 4.11
	Chevrolet CH465 4-Speed	3.73	3.07; 4.11
	New Process 435CR 4-Speed	3.73	3.07; 4.11
	Powerglide	3.73	4.11
	Turbo Hydra-matic	3.73	3.07; 4.11
307 V8	3-Speed w/Overdrive	4.11	—
	Chevrolet 3-Speed	3.73	3.07; 4.11
	Chevrolet CH465 4-Speed	3.07	3.73; 4.11
	New Process 435CR 4-Speed	3.73	3.07; 4.11
	Powerglide	3.73	4.11
350 V8	Turbo Hydra-matic	3.07	3.73; 4.11
	3-Speed w/Overdrive	4.11	—
	Chevrolet 3-Speed H.D.	3.07	3.73; 4.11
	Chevrolet CH465 4-Speed	3.07	3.73; 4.11
	New Process 435CR 4-Speed	3.07	3.73; 4.11
396 V8	Powerglide	3.07	3.73; 4.11
	Turbo Hydra-matic	3.07	3.73; 4.11
	Chevrolet 3-Speed H.D.	3.07	—
	Chevrolet CH465 4-Speed	3.54★	—
	New Process 435CR 4-Speed	3.54★	—
	Turbo Hydra-matic	3.07	—

★Dana rear axle used with 396 V8

SERIES K10 (Except K/5 Blazer)

ENGINE	TRANSMISSION	TRANSFER CASE	AXLE RATIOS	
			STD	OPT
250 Six 292 Six	Chevrolet 3-Speed H.D.	Rockwell T-221	3.73	—
	Chevrolet CH465 4-Speed		3.73	—
307 V8	Chevrolet 3-Speed H.D.	Rockwell T-221	3.73	—
	Chevrolet CH465 4-Speed		3.73	—
350 V8	Chevrolet 3-Speed H.D.	Rockwell T-221	3.73	—
	Chevrolet CH465 4-Speed		3.73	—

SERIES K10, K/5 BLAZER

ENGINE	TRANSMISSION	TRANSFER CASE	AXLE RATIOS	
			STD	OPT
250 Six	Chevrolet 3-Speed	Dana #20	3.73	—
	Chevrolet CH465 4-Speed	Dana #20	3.73	—
	Turbo Hydra-matic	New Process 205	3.73	—
307 V8	Chevrolet 3-Speed	Dana #20	3.73	—
	Chevrolet CH465 4-Speed	Dana #20	3.73	—

