

G30 SERIES SPORTVAN

→ GVW Ratings up to 8000 lb

→ Load Ratings up to 12 passengers + 1150 lb

G30 SERIES — SPORTVANS

Six-Cylinder Model

GS31306 Sportvan

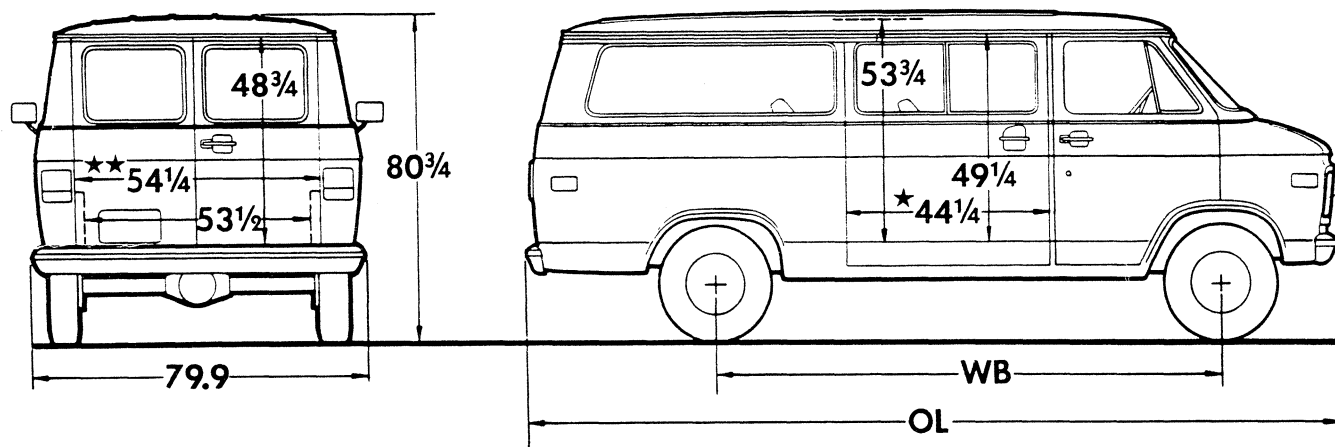
V8 Models

GE31306 Sportvan

GE31336 Beauville Sportvan

DIMENSIONS

(With std equipment, unloaded)



★Side slide-in opening clearance 40 1/4" with standard front passenger seat.
 ★★Rear slide-in opening clearance 52" with spare tire in position or 53 1/2" with spare tire removed.

Models	Dimensions (in)		Cubic Capacity (cu ft)	→ Curb Weights (lb)		
	WB	OL		Front	Rear	Total
GS31306	125	201	286	2231	2084	4315
GE31306				2331	2170	4501
GE31336				2414	2240	4654

STANDARD EQUIPMENT

Air Cleaner: Oiled-paper element
 GS30: Overhung type
 GE30: Concentric type

Armrest: Left and right front doors; rear seat

Axle, Front: Independent; capacity 3500 lb

Axle, Rear: Hypoid; Ratio 4.57; capacity 5200 lb

Battery: 12-volt; terminals recessed into top sidewall to accommodate external bolt and cable
 GS30: 54-plate; capacity 45 amp-hr
 GE30: 66-plate; capacity 61 amp-hr

Body: See *Cabs, Bodies & Colors* section

Brakes, Service: Hydraulic; vacuum power; self-adjusting; dual system
 Front: Single-piston caliper disc type, 12.5" rotor
 Rear: Drum and shoe type; size—13" x 2½"

Rear brake area: drum 204.2 sq in; lining 127.7 sq in

Brake, Parking: Cable to rear wheels; area 127.7 sq in; foot operated

Bumpers: Front & rear; painted—Sportvan; chrome—Beauville Sportvan

Carburetor: GS30: Single-barrel downdraft
 GE30: Four-barrel downdraft

Clutch: GS30: Diameter 11"; area 124 sq in
 GE30: Diameter 12"; area 150 sq in

Cooling: GS30: 1.26" radiator core, cross-flow type; 446-sq-in area; 15-lb pressure cap
 GE30: 1.98" radiator core, cross-flow type; 480-sq-in area; 15-lb pressure cap

Controls & Instruments: Light switch; direction signal lever with freeway lane-change position on switch & integral hazard warning switch; windshield wiper-washer switch; headlight beam control; speedometer; odometer; fuel gauge. Warning lights for generator, oil pressure, engine temperature, direction signals and high beam indicator, brake warning. Ignition switch with accessory position

Dispatch Box: Without door

Door Equipment, Loading: Single sliding—RH body side and two swing-out rear

Emission Control Equipment: See *Engine & Clutch* section for types used

Engine: GS30 models: 250 Six
 Gross horsepower 145 @ 4200 rpm
 Net horsepower 110 @ 4000 rpm
 Gross torque, lb-ft. 230 @ 1600 rpm
 Net torque, lb-ft. 185 @ 1600 rpm

GE30 models: 350 V8
 Gross horsepower 250 @ 4600 rpm
 Net horsepower 170 @ 3600 rpm
 Gross torque, lb-ft. 350 @ 3000 rpm
 Net torque, lb-ft. 310 @ 2400 rpm

Exhaust System: Single pipe; fully aluminized; unitized muffler-tailpipe

Filter, Fuel: Plastic mesh in fuel tank; paper type in carburetor

Filter, Oil: Full-flow; 1-quart; throwaway type

Frame: Integral body-frame construction

Generator: 37-amp Delcotron

Glass, Body: 11 windows, including windshield

GVW Plate: See GVW Selector

Heater & Defroster: Deluxe-Air

Hubcaps: Four painted—Sportvan; four chrome—Beauville Sportvan

Lights & Reflectors: Two 7" power beam headlights; two Class A front combination parking/direction signals; two Class A rear integral backup and combination tail/stop/direction signals; two front side marker combination lights & reflectors; two rear side marker combination lights & reflectors; one license; instrument panel & two dome (front & rear). Front side marker lights flash with turn signals

Mirrors, Rearview: Exterior Chrome RH & LH 4½" x 6" fixed arm and interior 10" non-glare

Seats: Driver & front passenger; 3-passenger rear vinyl trim

Seat Belts: Driver & passenger; LH and RH rear

Shock Absorbers: Front & rear; piston diameter 1"

Springs, Front: Coil; capacity 1750 lb each at ground

Springs, Rear: Two-Stage, multi-leaf; capacity 2050 lb each at ground

Steering: Ball-gear, ratio 20:1; wheel oval 17½" x 17"; 2-spoke

Tank, Fuel: Behind rear axle; capacity approx 23 gallons

Tires: Four tubeless 8-16.5C(6PR) original equipment front and single rear

Tools: Mechanical jack; wheel wrench

Transmission: 3-speed fully synchronized
 GS30: Ratios 2.85, 1.68, 1.00, 2.95 (rev)
 GE30: Ratios 3.03, 1.75, 1.00, 3.02 (rev)

→ **Wheels:** Five 16.5" x 6¾"; attachment, 8 studs on 6½" circle

Windshield Wipers & Washer: Electric; 2-speed wipers

→GVW SELECTOR

GVW Rating (lb)	Capacity		Minimum Equipment Required for Capacity Shown			
	Pas-sengers	Plus lbs of Luggage	Tires, Front	Tires, Rear	Chassis Equipment	
6100	5	800	8.00-16.5C(6PR)	8.00-16.5C(6PR)	Standard	
6100	8	200	8.00-16.5C(6PR)	8.00-16.5C(6PR)		
6900	5	1375	8.75-16.5C(6PR)	8.75-16.5C(6PR)		
6900	8	800	8.75-16.5C(6PR)	8.75-16.5C(6PR)		
6900	12	400	8.75-16.5C(6PR)	8.75-16.5C(6PR)		
6900	5	1375	8.75-16.5D(8PR)	8.75-16.5D(8PR)		
6900	8	800	8.75-16.5D(8PR)	8.75-16.5D(8PR)		
6900	12	400	8.75-16.5D(8PR)	8.75-16.5D(8PR)		
7600	5	2000	8.75-16.5D(8PR)	8.75-16.5D(8PR)		2600 lb ea rear spring
7600	8	1300	8.75-16.5D(8PR)	8.75-16.5D(8PR)		
7600	12	750	8.75-16.5D(8PR)	8.75-16.5D(8PR)		
8000	5	2400	8.75-16.5E(10PR)	8.75-16.5E(10PR)		
8000	8	1700	8.75-16.5E(10PR)	8.75-16.5E(10PR)		
8000	12	1150	8.75-16.5E(10PR)	8.75-16.5E(10PR)		

G30 SERIES SPORTVAN

1971 MODELS WITH STANDARD EQUIPMENT

Model Number and Description	Wheel-base	Factory D & H	List Price	Mfr's Sgt'd Retail Price★	Desti-nation Charge & Group Number	Total
→ 6-Cylinder 145-hp High Torque 250 Engine						
GS31306 Sportvan.....	125"	\$200.00	\$3471.00	\$3671.00	27.....	
→ 8-Cylinder 250-hp High Torque 350 Engine						
GE31306 Sportvan.....	125"	208.00	3616.00	3824.00	27.....	
GE31336 Beauville Sportvan.....	125"	223.00	3888.00	4111.00	27.....	

★ Manufacturer's Suggested Retail Prices do not include state and local taxes, license fees, options or accessories.

OPTIONS AND ACCESSORIES WHEN INSTALLED BY CHEVROLET

Description	Option Number	Factory D & H	List Price	Mfr's Suggested Retail Delivered Price◇
POWER TEAMS AND AXLES				
Transmission: Turbo Hydra-matic. Includes 4.10 ratio rear axle on GE30 models only.....	M49	\$12.25	\$230.00	\$242.25
Axle, Rear: NoSPIN.....	G86	6.65	125.00	131.65
OTHER OPTIONS				
→ Air Cleaner: Oil-bath. Capacity 1 quart. Not available when air conditioning is ordered.....	K48	.35	6.00	6.35
→ Air Conditioning: V8 models only. Includes 4-position fan switch, HD cooling and 61-amp generator.				
<i>Front.</i> Floor-mounted. Includes temperature sensing valve. Recommended for front seat area cooling only.....	C62	26.35	495.00	521.35
<i>Front and Rear.</i> Front floor-mounted and rear overhead systems. Front unit includes temperature sensing valve. Rear unit also includes additional 4-position fan switch.....	C63	42.30	795.00	837.30
Battery, Heavy-Duty: 12-volt, 15-plate, 80-amp-hr.....	T60	.90	16.00	16.90
Belts, Seat: Installed on rear seat(s) for third passenger				
With standard rear seat (one belt).....	A68	.35	6.50	6.85
With 8-passenger rear seats (two belts).....	A68	.70	13.00	13.70
With 12-passenger rear seats (four belts).....	A68	1.40	26.00	27.40
Belts, Shoulder:				
<i>Front seat;</i> driver and passenger.....	A85	1.45	27.00	28.45
<i>Rear seat;</i>				
With standard rear seat. LH passenger position only.....	AS5	.75	13.50	14.25
With 8-passenger rear seats. LH passenger position on center and rear seat.....	AS5	1.45	27.00	28.45
With 12-passenger rear seats. LH passenger position on center seats plus LH and RH position on rear seat.....	AS5	2.90	54.00	56.90
→ Bumpers:				
<i>Chromed.</i> Front and Rear. Standard on Beauville models.....	V37	1.60	30.00	31.60
Caps, Hub: <i>Chromed.</i> Standard on Beauville models. Included when custom appearance is ordered.....	P03	.35	6.00	6.35
Cooling: HD radiator only. Included when automatic transmission is ordered	V01	1.20	22.50	23.70
Custom Appearance: Standard on Beauville models. Includes bright metal grille, headlight and taillight accents; chromed hub caps; body sill moldings and custom emblems.....	Z61	4.35	81.00	85.35
Custom Comfort: Standard on Beauville models. Includes hardboard front door, side panel, side cargo and rear door trim panels; full length headliner with bright roof bows; LH and RH coat hooks; roof, side door and rear quarter panel moldings; bright control knob and dome light trim; cigar lighter; color-keyed passenger area floor mats and spare tire cover				
Without 12-passenger seats. Also includes color-keyed rear floor area mats with insulators, rear wheelhousing mats and rear door scuff plate.....	Z62	13.30	250.00	263.30
With 12-passenger seats. Also includes rear wheelhousing mats.....	Z62	12.25	230.00	242.25
Gauges: <i>Ammeter, temperature and oil pressure</i>	Z53	.65	12.00	12.65

◇ State and local taxes not included.

→ Indicates Change

G30 SERIES SPORTVAN

OPTIONS AND ACCESSORIES WHEN INSTALLED BY CHEVROLET

Description	Option Number	Factory D & H	List Price	Mfr's Suggested Retail Delivered Price [◇]
→ Generators:				
42-amp Delcotron. Not available when air conditioning is ordered.....	K79	\$1.20	\$ 22.00	\$ 23.20
61-amp Delcotron. Included when air conditioning is ordered.....	K76	1.60	30.00	31.60
Glass:				
Soft-Ray. Windshield only.....	AA2	.70	13.00	13.70
Swing-Out Rear Door.....	A18	1.25	23.00	24.25
Key Unit: Separate keys for side and rear cargo doors.....	AU2	.25	4.00	4.25
Lighter, Cigar: Standard on Beauville models. Included when custom comfort is ordered.....	U37	.30	5.00	5.30
Mirrors, Exterior: Below-Eye-Line. LH and RH 7.5" x 10.5"				
Painted.....	D29	1.00	18.50	19.50
Stainless Steel.....	DG4	1.55	28.75	30.30
Moldings, Body Side Lower: Standard on Beauville models. Included when custom appearance is ordered.....				
	B98	2.70	50.00	52.70
Paints, Exterior: See Color and Trim Chart				
Solid color.....		N.C.	N.C.	N.C.
Two-tone. With white secondary color between roof and belt line.....		1.85	34.25	36.10
Radio: AM Pushbutton control.....	U63	3.50	65.00	68.50
Seat Equipment, Rear: Includes LH and RH armrests, ash trays and seat belts				
One Additional Rear Seat. For 8-passenger seating.....	AQ3	2.70	50.00	52.70
Two Additional Rear Seats. For 12-passenger seating. Available only when 8.75-16.5 tires are ordered. Also includes relocation of spare wheel behind seat on floor, rear floor area mat and rear door scuff plate.....	ZN6	8.25	155.00	163.25
Shock Absorbers, Heavy-Duty: Front and rear.....	F51	.80	15.00	15.80
Springs: Rear. Capacity 2600-lb each.....	G50	.60	10.75	11.35
Stabilizer, Front.....	F59	1.00	18.00	19.00
→ Steering, Power.....	N40	7.10	133.00	140.10
→ Trim, Custom Blue Cloth: Beauville models only. Includes cloth inserts on seat and backrest				
With standard rear seat.....		1.10	20.00	21.10
With 8-passenger rear seating.....		1.35	25.00	26.35
With 12-passenger rear seating.....		1.60	30.00	31.60

WIDE BASE TUBELESS TIRES (Factory Installed)

8.00-16.5/C (6PR) Maximum Tire Capacity—Front (1730) Rear (1730)					
(Truck type) —Highway	(4) Front & rear.....	Std.	N.C.	N.C.	N.C.
Nylon	(1) Spare.....	R70	4.40	42.00	46.40
—On-Off Road	(2) Rear.....	RQ2	1.35	21.00	22.35
Nylon	(1) Spare.....	RQ2	5.05	52.00	57.05
8.75-16.5/C (6PR) Maximum Tire Capacity—Front (1990) Rear (1990)					
(Truck type) —Highway	(4) Front & rear.....	RP5	2.90	34.00	36.90
Nylon	(2) Front.....	RP5	1.45	17.00	18.45
	(1) Spare.....	RP5	5.10	50.00	55.10
—On-Off Road	(2) Rear.....	RP2	2.85	38.00	40.85
Nylon	(1) Spare.....	RP2	5.75	60.00	65.75
8.75-16.5/D (8PR) Maximum Tire Capacity—Front (2350) Rear (2350)					
(Truck type) —Highway	(4) Front & rear.....	RP6	5.60	72.00	77.60
Nylon	(2) Front.....	RP6	2.80	36.00	38.80
	(1) Spare.....	RP6	5.70	58.00	63.70
—On-Off Road	(2) Rear.....	RQ4	4.00	57.00	61.00
Nylon	(1) Spare.....	RQ4	6.25	68.00	74.25
→ 8.75-16.5/E (10PR) Maximum Tire Capacity—Front (2680) Rear (2680)					
(Truck type) —Highway	(4) Front & rear.....	RQ8	8.10	118.00	126.10
Nylon	(2) Front.....	RQ8	4.05	59.00	63.05
	(1) Spare.....	RQ8	6.25	68.00	74.25
—On-Off Road	(2) Rear.....	RQ9	5.10	80.00	85.10
Nylon	(1) Spare.....	RQ9	6.75	78.00	84.75

◇ State and local taxes not included.

→ Indicates Change

G30 SERIES CHEVY VAN

→ GVW Ratings up to 8000 lb

G30 SERIES—CHEVY VANS

Six-Cylinder Models

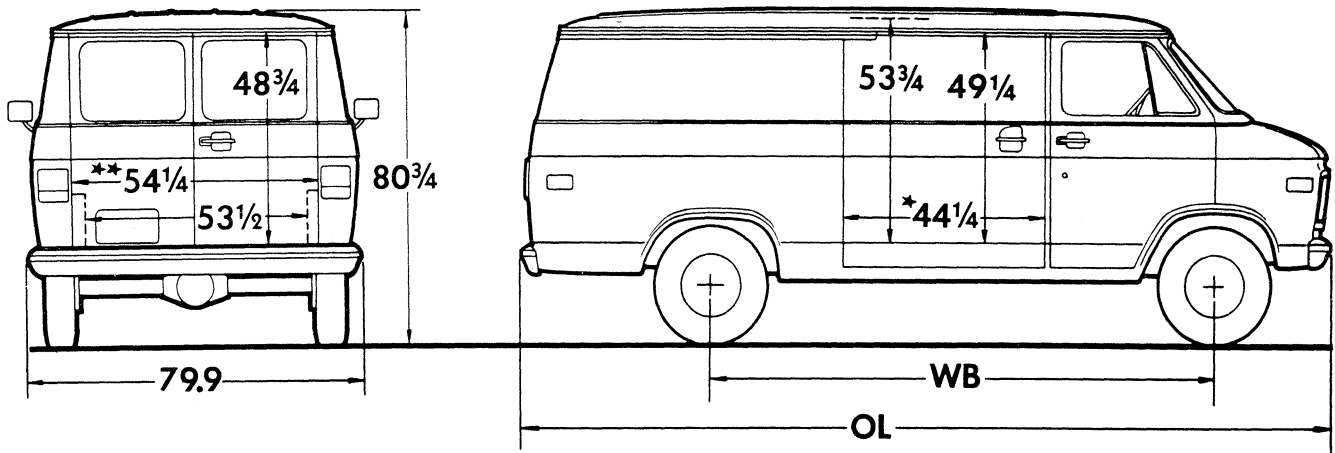
GS31005 Chevy Van
GS31305 Chevy Van

V8 Models

GE31005 Chevy Van
GE31305 Chevy Van

DIMENSIONS

(With std equipment, unloaded)



★ Side slide-in opening clearance 40 1/4" with standard front passenger seat.
 ★★ Rear slide-in opening clearance 52" with spare tire in position or 53 1/2" with spare tire removed.

Sign Panel Area

Chevy Van—110" WB—42" x 85" (Side)

Chevy Van—125" WB—42" x 109" (Side)

Models	Dimensions (in)		Cubic Capacity (cu ft)	→ Curb Weights (lb)			Payload Wt. Dist.*	
	WB	OL		Front	Rear	Total	Front	Rear
GS31005 GE31005	110	177	246	2038 2141	1853 1936	3891 4077	26%	74%
GS31305 GE31305	125	201	296	2167 2271	1885 1967	4052 4238	25%	75%

*Estimate based on even payload loading.

G30 SERIES CHEVY VAN

STANDARD EQUIPMENT

Air Cleaner: Oiled-paper element

GS30: Overhung type

GE30: Concentric type

Armrest: Left front door only

Axle, Front: Independent; *capacity 3500 lb*

Axle, Rear: Hypoid; ratio 4.57; *capacity 5200 lb*

Battery: 12-volt; terminals recessed into top sidewall to accommodate external bolt and cable

GS30: 54-plate; capacity 45 amp-hr

GE30: 66-plate; capacity 61 amp-hr

Body: See *Cabs, Bodies & Colors* section

➤ **Brakes, Service:** Hydraulic; vacuum power; self-adjusting; dual system

Front: Single-piston caliper disc type, 12.5" rotor

Rear: Drum and shoe type; size—13" x 2½"

Rear brake area: drum 204.2 sq in, lining 127.7 sq in

➤ **Brake, Parking:** Cable to rear wheels; area 127.7 sq in; foot operated

Bumpers: Front & rear; painted

Carburetor: GS30: Single-barrel downdraft

GE30: Four-barrel downdraft

Clutch: GS30: Diameter 11"; area 124 sq in

GE30: Diameter 12"; area 150 sq in

Cooling: GS30: 1.26" radiator core, cross-flow type; 446-sq-in area; 15-lb pressure cap

GE30: 1.98" radiator core, cross-flow type;

480-sq-in area; 15-lb pressure cap

Controls & Instruments: Light switch; direction signal lever with freeway lane-change position on switch & integral hazard warning switch; windshield wiper-washer switch; headlight beam control; speedometer; odometer; fuel gauge. Warning lights for generator, oil pressure, engine temperature, direction signals and high beam indicator; brake warning. Ignition switch with accessory position

Dispatch Box: Without door

Door Equipment: Single sliding—right body side and two swing-out rear

Emission Control Equipment: See *Engine & Clutch* section for types used

Engine: GS30 model: 250 Six

Gross horsepower..... 145 @ 4200 rpm

Net horsepower..... 110 @ 4000 rpm

Gross torque, lb-ft..... 230 @ 1600 rpm

Net torque, lb-ft..... 185 @ 1600 rpm

GE30 model: 350 V8

Gross horsepower..... 250 @ 4600 rpm

Net horsepower..... 170 @ 3600 rpm

Gross torque, lb-ft..... 350 @ 3000 rpm

Net torque, lb-ft..... 310 @ 2400 rpm

Exhaust System: Single pipe; fully aluminized; unitized muffler-tailpipe

Filter, Fuel: Plastic mesh in fuel tank; paper type in carburetor

Filter, Oil: Full-flow; 1-quart; throwaway type

Frame: Integral body-frame construction

Generator: 37-amp Delcotron

GVW Plate: See GVW Selector

Heater & Defroster: Deluxe-Air

Hubcaps: Four painted

Lights & Reflectors: Two 7" power beam headlights; two Class A front combination parking/direction signals; two Class A rear integral backup and combination tail/stop/direction signals; two front side marker combination lights & reflectors; two rear side marker combination lights & reflectors; one license; instrument panel & two dome (front & rear). Front side marker lights flash with turn signals

Mirror, Rearview: Exterior chrome RH & LH 4½" x 6" fixed arm

Seat: Driver only; vinyl trim

Seat Belts: Driver only

Shock Absorbers: Front & rear; piston diameter 1"

Springs, Front: Coil; *capacity 1750 lb each*

Springs, Rear: Two-stage, multi-leaf; *capacity 2050 lb each*

Steering: Ball-gear, ratio 20:1; wheel oval 17½" x 17"; 2-spoke

Tank, Fuel: Behind rear axle; capacity approx 23 gallons

Tires: Four tubeless 8-16.5C(6PR) original equipment front & single rear

Tools: Mechanical jack; wheel wrench

Transmission: 3-speed fully synchronized

GS30: ratios 2.85, 1.68, 1.00, 2.95 (rev)

GE30: ratios 3.03, 1.75, 1.00, 3.02 (rev)

➤ **Wheels:** Five 16.5" x 6¾"; attachment, 8 studs on 6½" circle

Windshield Wipers & Washer: Electric; 2-speed wipers

➤ GVW SELECTOR

GVW Rating (lb)	Minimum Equipment Required for GVW Rating		
	Tires, Front	Tires, Rear	Chassis Equipment
6100	8.00-16.5C (6PR)	8.00-16.5C (6PR)	Standard
6600	8.75-16.5C (6PR)	8.75-16.5C (6PR)	
6700	8.75-16.5D (8PR)	8.75-16.5D (8PR)	
7600	8.75-16.5D (8PR)	8.75-16.5D (8PR)	2600-lb ea rear spring
8000	8.75-16.5E (10PR)	8.75-16.5E (10PR)	

G30 SERIES CHEVY VAN—GASOLINE (6100-lb—8000-lb GVW)

1971 MODELS WITH STANDARD EQUIPMENT

Model Number and Description	Wheel-base	Factory D & H	List Price	Mfr's Sgt'd Retail Price*	Desti-nation Charge & Group Number	Total
→ 6-Cylinder 145-hp High Torque 250 Engine						
GS31005 Chevy Van	110"	\$235.00	\$2915.00	\$3150.00	26	
GS31305 Chevy Van	125"	245.00	3045.00	3290.00	26	
→ 8-Cylinder 250-hp High Torque 350 Engine						
GE31005 Chevy Van	110"	247.00	3060.00	3307.00	26	
GE31305 Chevy Van	125"	257.00	3190.00	3447.00	26	

★ Manufacturer's Suggested Retail Prices do not include state and local taxes, license fees, options or accessories.

OPTIONS AND ACCESSORIES WHEN INSTALLED BY CHEVROLET

Description	Option Number	Factory D & H	List Price	Mfr's Suggested Retail Delivered Price◇
POWER TEAMS AND AXLES				
Transmission: Turbo Hydra-matic. Includes 4.10 ratio rear axle on GE30 models only	M49	\$17.50	\$230.00	\$247.50
Axle, Rear: NoSPIN	G86	9.50	125.00	134.50
OTHER OPTIONS				
→ Air Cleaner. Oil-bath. Capacity 1 quart. Not available when air conditioning is ordered.	K48	.50	6.00	6.50
→ Air Conditioning: V8 models only. Includes 4-position fan switch, HD cooling and 61-amp generator.				
Front. Floor-mounted. Includes temperature sensing valve. Recommended for front seat area cooling only.	C62	37.65	495.00	532.65
Front and Rear. Front floor-mounted and rear overhead systems. Front unit includes temperature sensing valve. Rear unit also includes additional 4-position fan switch.	C63	60.45	795.00	855.45
Battery, Heavy-Duty: 12-volt, 80-amp-hr, 15-plate.	T60	1.25	16.00	17.25
Belts, Shoulder:				
Driver. Not available when auxiliary seat is ordered.	A85	1.05	13.50	14.55
Driver and Passenger. Available only when auxiliary seat is ordered.	A85	2.10	27.00	29.10
→ Bumpers: Chromed. Front and rear.	V37	2.30	30.00	32.30
Caps, Hub: Chromed. Included when custom appearance is ordered.	P03	.50	6.00	6.50
Cooling: HD radiator only. Included when automatic transmission is ordered.	V01	1.75	22.50	24.25
Custom Appearance: Includes bright metal grille, headlight and taillight accents; chromed hub caps and body sill moldings.	Z61	6.20	81.00	87.20
Custom Comfort: Includes cigar lighter; bright control knob trim and dual horns.	Z62	1.10	14.00	15.10
Gauges: Ammeter, temperature and oil pressure.	Z53	.95	12.00	12.95
→ Generators:				
42-amp Delcotron. Not available when air conditioning is ordered.	K79	1.70	22.00	23.70
61-amp Delcotron. Included when air conditioning is ordered.	K76	2.30	30.00	32.30
Glass:				
Soft-Ray. Windshield only.	AA2	1.00	13.00	14.00
Swing-Out Rear Door				
Without body glass. Includes interior non-glare mirror.	A18	3.05	40.00	43.05
With body glass.	A18	1.75	23.00	24.75
Body. 6 windows. Includes rear and side door glass and interior non-glare mirror.	A07	6.65	87.00	93.65
RH Side Body. 2 windows. Includes side door glass.	A08	2.70	35.00	37.70
Rear Door. Includes interior non-glare mirror. Included when body or swing-out rear door glass is ordered.	A12	1.30	17.00	18.30
Side Door. Included when RH side body glass or body glass is ordered.	A13	1.10	14.00	15.10

◇ State and local taxes not included.

→ Indicates Change

G30 SERIES CHEVY VAN-GASOLINE

OPTIONS AND ACCESSORIES WHEN INSTALLED BY CHEVROLET

Description	Option Number	Factory D & H	List Price	Mfr's Suggested Retail Delivered Price [◇]
Key Unit: Separate keys for side and rear cargo doors.....	AU2	\$.35	\$ 4.00	\$ 4.35
Lighter, Cigar: Included when custom comfort is ordered.....	U37	.40	5.00	5.40
Mirrors, Exterior: Below-Eye-Line type. LH and RH 7.5" x 10.5"				
<i>Painted</i>	D29	1.45	18.50	19.95
<i>Stainless Steel</i>	DG4	2.20	28.75	30.95
Moldings, Body Side Lower: Included when custom appearance is ordered	B98	3.80	50.00	53.80
Paints, Exterior: See Color and Trim Chart				
<i>Solid</i>		N.C.	N.C.	N.C.
<i>Two-Tone.</i> With white secondary color between roof and belt line.....		2.65	34.25	36.90
Radio: AM Pushbutton control.....	U63	4.95	65.00	69.95
Seat, Auxiliary: Stationary. Includes RH armrest, floor mat, sunshade and seat belt.....	A61	4.75	62.00	66.75
Shock Absorbers, Heavy-Duty: Front and rear.....	F51	1.15	15.00	16.15
Springs: <i>Rear.</i> Capacity 2600-lb each.....	G50	.85	10.75	11.60
Stabilizer, Front	F59	1.40	18.00	19.40
➔ Steering, Power	N40	10.15	133.00	143.15

WIDE BASE TUBELESS TIRES (Factory Installed)

Description	Rim Width Included In Tire Option	Option Number	Factory D & H	List Price	Mfr's Suggested Retail Delivered Price [◇]
8.00-16.5/C (6PR) Maximum Tire Capacity—Front (1730) Rear (1730)					
(Truck type) — Highway Nylon	(4) Front & rear.....	6.75	Std.	N.C.	N.C.
	(1) Spare.....	6.75	R70	\$4.85	\$42.00
	(2) Rear.....	6.75	RQ2	1.70	21.00
— On-Off Road Nylon	(1) Spare.....	6.75	RQ2	5.65	52.00
8.75-16.5/C (6PR) Maximum Tire Capacity—Front (1990) Rear (1990)					
(Truck type) — Highway Nylon	(4) Front & rear.....	6.75	RPS	3.30	34.00
	(2) Front.....	6.75	RP5	1.65	17.00
	(1) Spare.....	6.75	RP5	5.65	50.00
— On-Off Road Nylon	(2) Rear.....	6.75	RP2	3.40	38.00
	(1) Spare.....	6.75	RP2	6.50	60.00
8.75-16.5/D (8PR) Maximum Tire Capacity—Front (2350) Rear (2350)					
(Truck type) — Highway Nylon	(4) Front & rear.....	6.75	RP6	6.60	72.00
	(2) Front.....	6.75	RP6	3.30	36.00
	(1) Spare.....	6.75	RP6	6.35	58.00
— On-Off Road Nylon	(2) Rear.....	6.75	RQ4	4.75	57.00
	(1) Spare.....	6.75	RQ4	7.05	68.00
➔ 8.75-16.5/E (10PR) Maximum Tire Capacity—Front (2680) Rear (2680)					
(Truck type) — Highway Nylon	(4) Front & rear.....	6.75	RQ8	9.80	118.00
	(2) Front.....	6.75	RQ8	4.90	59.00
	(1) Spare.....	6.75	RQ8	7.10	68.00
— On-Off Road Nylon	(2) Rear.....	6.75	RQ9	6.20	80.00
	(1) Spare.....	6.75	RQ9	7.70	78.00

◇ State and local taxes not included.

➔ Indicates Change

SERIES CHEVY VAN—GASOLINE (6100-lb—8000-lb GVW)

71 MODELS WITH STANDARD EQUIPMENT

Wheel-base	Factory D & H	List Price	Mfr's Suggested Retail Price*	Destination Charge & Group Number	Total
Engine 250					
110"	\$235.00	\$2915.00	\$3150.00	26	
125"	245.00	3045.00	3290.00	26	
Engine 350					
110"	247.00	3060.00	3307.00	26	
125"	257.00	3190.00	3447.00	26	

Prices do not include state and local taxes, license fees, options or accessories.

STANDARD ACCESSORIES WHEN INSTALLED BY CHEVROLET

Option Number	Factory D & H	List Price	Mfr's Suggested Retail Delivered Price
POWER TEAMS AND AXLES			
Includes 4.10 ratio rear axle on GE30			
M49	\$17.50	\$230.00	\$247.50
G86	9.50	125.00	134.50

OTHER OPTIONS				
Not available when air conditioning is ordered	K48	.50	6.00	6.50
Includes 4-position fan switch, HD cooling fan sensing valve. Recommended for rear overhead systems. Front unit rear unit also includes additional	C62	37.65	495.00	532.65
15-hr, 15-plate	T60	1.25	16.00	17.25
When ordered	A85	1.05	13.50	14.55
When auxiliary seat is ordered	A85	2.10	27.00	29.10
	V37	2.30	30.00	32.30
Custom appearance is ordered	P03	.50	6.00	6.50
Automatic transmission is ordered	V01	1.75	22.50	24.25
Chromed metal grille, headlight and taillight moldings	Z61	6.20	81.00	87.20
Optional bright control knob trim and dual	Z62	1.10	14.00	15.10
Optional tire pressure	Z53	.95	12.00	12.95
Air conditioning is ordered	K79	1.70	22.00	23.70
Conditioning is ordered	K76	2.30	30.00	32.30
	AA2	1.00	13.00	14.00
Anti-glare mirror	A18	3.05	40.00	43.05
	A18	1.75	23.00	24.75
Side door glass and interior	A07	6.65	87.00	93.65
Side door glass	A08	2.70	35.00	37.70
Side mirror. Included when body or	A12	1.30	17.00	18.30
Side glass or body glass is ordered	A13	1.10	14.00	15.10

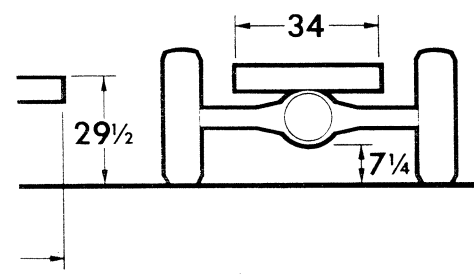
→ Indicates Change

CHASSIS—GASOLINE

GVW Ratings up to 10,000 lb

CHASSIS

sis
sis



Total	Body-Payload Wt. Dist.	
	Front	Rear
3219	Determined by style, length & weight of body.	
3307		

G30 SERIES CHEVY VAN-GASOLINE

OPTIONS AND ACCESSORIES WHEN INSTALLED BY CHEVROLET

Description	Option Number	Factory D & H	List Price	Mfr's Suggested Retail Delivered Price \diamond
Key Unit: Separate keys for side and rear cargo doors.....	AU2	\$.35	\$ 4.00	\$ 4.35
Lighter, Cigar: Included when custom comfort is ordered.....	U37	.40	5.00	5.40
Mirrors, Exterior: Below-Eye-Line type. LH and RH 7.5" x 10.5"				
Painted.....	D29	1.45	18.50	19.95
Stainless Steel.....	DG4	2.20	28.75	30.95
Moldings, Body Side Lower: Included when custom appearance is ordered	B98	3.80	50.00	53.80
Paints, Exterior: See Color and Trim Chart				
Solid.....		N.C.	N.C.	N.C.
Two-Tone. With white secondary color between roof and belt line.....		2.65	34.25	36.90
Radio: AM Pushbutton control.....	U63	4.95	65.00	69.95
Seat, Auxiliary: Stationary. Includes RH armrest, floor mat, sunshade and seat belt.....	A61	4.75	62.00	66.75
Shock Absorbers, Heavy-Duty: Front and rear.....	F51	1.15	15.00	16.15
Springs: Rear. Capacity 2600-lb each.....	G50	.85	10.75	11.60
Stabilizer, Front	F59	1.40	18.00	19.40
→ Steering, Power	N40	10.15	133.00	143.15

WIDE BASE TUBELESS TIRES (Factory Installed)

Description	Rim Width Included In Tire Option	Option Number	Factory D & H	List Price	Mfr's Suggested Retail Delivered Price \diamond
8.00-16.5/C (6PR) Maximum Tire Capacity—Front (1730) Rear (1730)					
(Truck type) —Highway Nylon	(4) Front & rear.....	6.75	Std.	N.C.	N.C.
	(1) Spare.....	6.75	R70	\$4.85	\$46.85
—On-Off Road Nylon	(2) Rear.....	6.75	RQ2	1.70	21.00
	(1) Spare.....	6.75	RQ2	5.65	52.00
8.75-16.5/C (6PR) Maximum Tire Capacity—Front (1990) Rear (1990)					
(Truck type) —Highway Nylon	(4) Front & rear.....	6.75	RP5	3.30	34.00
	(2) Front.....	6.75	RP5	1.65	17.00
	(1) Spare.....	6.75	RP5	5.65	50.00
—On-Off Road Nylon	(2) Rear.....	6.75	RP2	3.40	38.00
	(1) Spare.....	6.75	RP2	6.50	60.00
8.75-16.5/D (8PR) Maximum Tire Capacity—Front (2350) Rear (2350)					
(Truck type) —Highway Nylon	(4) Front & rear.....	6.75	RP6	6.60	72.00
	(2) Front.....	6.75	RP6	3.30	36.00
	(1) Spare.....	6.75	RP6	6.35	58.00
—On-Off Road Nylon	(2) Rear.....	6.75	RQ4	4.75	57.00
	(1) Spare.....	6.75	RQ4	7.05	68.00
→ 8.75-16.5/E (10PR) Maximum Tire Capacity—Front (2680) Rear (2680)					
(Truck type) —Highway Nylon	(4) Front & rear.....	6.75	RQ8	9.80	118.00
	(2) Front.....	6.75	RQ8	4.90	59.00
	(1) Spare.....	6.75	RQ8	7.10	68.00
—On-Off Road Nylon	(2) Rear.....	6.75	RQ9	6.20	80.00
	(1) Spare.....	6.75	RQ9	7.70	78.00

\diamond State and local taxes not included.

→ Indicates Change

P30 SERIES MOTOR HOME CHASSIS—GASOLINE (7300-lb—10,000-lb GVW)

1971 MODELS WITH STANDARD EQUIPMENT

Model Number and Description	Wheel-base	Factory D & H	List Price	Mfr's Suggested Retail Price★	Destination Charge & Group Number	Total
→ 8-Cylinder 250-hp High Torque 350 Engine						
PE31132	Motor Home Chassis 137"	\$238.00	\$3105.00	\$3343.00	25	
PE31432	Motor Home Chassis 157"	241.00	3140.00	3381.00	25	

★ Manufacturer's Suggested Retail Prices do not include state and local taxes, license fees, options or accessories.

OPTIONS AND ACCESSORIES WHEN INSTALLED BY CHEVROLET

Description	Option Number	Factory D & H	List Price	Mfr's Suggested Retail Delivered Price◇
<u>POWER TEAMS AND AXLES</u>				
Axles, Rear:				
4.10 Ratio. Available only when dual rear wheels are ordered	HB8	\$.95	\$ 12.00	\$ 12.95
4.57 Ratio. Available only when single rear wheels are ordered	H20	.95	12.00	12.95
NoSPIN. Not available when dual rear wheels are ordered	G86	9.50	125.00	134.50
<u>OTHER OPTIONS</u>				
Carrier, Spare Wheel: Under frame	P10	.80	10.00	10.80
Shock Absorbers, Heavy-Duty: Piston diameter 1 3/8"				
Front and Rear	F51	1.15	15.00	16.15
Springs: Rear. Main and auxiliary type. Capacity 4150-lb each	G60	3.05	40.00	43.05
Tires and Wheels: See following pages				

◇ State and local taxes not included.

→ Indicates Change

P30 SERIES MOTOR HOME

TUBE-TYPE TIRES (Factory Installed)

Tire Size and Type		Rim Width Included In Tire Option	Option Number	Factory D & H	List Price	Mfr's Suggested Retail Delivered Price [◇]
Note: Front and rear tires must be of the same rim width and diameter.						
Dealer Note: When dual rear tires are specified, the following equipment will be applied to the order as shown in the dual rear tire portion of the order form.						
<i>THIS EQUIPMENT IS NOT PRICED IN THE TIRE OPTION AND WILL REFLECT ON THE INVOICE IN THE FOLLOWING MANNER:</i>						
Includes dual rear chassis provisions and 4.57 ratio 7200-lb rear axle... R05				N.C.	N.C.	N.C.
6.50-16/C (6PR) Maximum Tire Capacity Each—Front (1610) Dual Rear (1420)						
—Highway Nylon	(6) Front & dual rear	5.50	R65	\$11.20	\$127.00	\$138.20
	(1) Spare	5.50	R65	6.25	64.50	70.75
7.00-16/C (6PR) Maximum Tire Capacity Each—Front (1800) Dual Rear (1580)						
—Highway Nylon	(6) Front & dual rear	5.50	R78	11.35	111.00	122.35
	(2) Front	5.50	R78	N.C.	N.C.	N.C.
	(1) Spare	5.50	R78	6.80	67.50	74.30
—On-Off Road Nylon	(4) Dual rear	5.50	R71	14.60	156.00	170.60
	(1) Spare	5.50	R71	7.65	79.00	86.65
7.50-16/C (6PR) Maximum Tire Capacity Each—Front (2060) Rear (2060) Dual Rear (1815)						
—Highway Nylon	(4) Front & rear	6.00	R67	2.25	34.50	36.75
	(2) Front (with single rear wheels)	6.00	R67	1.30	19.50	20.80
	(2) Front (with dual rear wheels)	5.50	R67	1.35	20.50	21.85
	(4) Dual rear	5.50	R67	15.15	155.00	170.15
	(1) Spare (with single rear wheels)	6.00	R67	11.55	76.00	87.55
	(1) Spare (with dual rear wheels)	5.50	R67	11.60	76.50	88.10
—On-Off Road Nylon	(2) Rear (with single rear wheels)	6.00	RM7	2.80	38.00	40.80
	(4) Dual rear	5.50	RM7	18.65	198.50	217.15
	(1) Spare (with single rear wheels)	6.00	RM7	8.45	87.00	95.45
	(1) Spare (with dual rear wheels)	5.50	RM7	8.50	87.50	96.00
7.50-16/D (8PR) Maximum Tire Capacity Each—Front (2440) Rear (2440) Dual Rear (2140)						
—Highway Nylon	(2) Front (with single rear wheels)	6.00	R68	2.20	29.00	31.20
	(2) Front (with dual rear wheels)	5.50	R68	2.25	30.00	32.25
	(2) Rear (with single rear wheels)	6.00	R68	1.15	15.00	16.15
	(4) Dual rear	5.50	R68	16.75	171.00	187.75
	(1) Spare (with single rear wheels)	6.00	R68	7.90	79.00	86.90
	(1) Spare (with dual rear wheels)	5.50	R68	7.95	79.50	87.45
—On-Off Road Nylon	(2) Rear (with single rear wheels)	6.00	RM8	3.15	40.00	43.15
	(4) Dual rear	5.50	RM8	20.45	217.00	237.45
	(1) Spare (with single rear wheels)	6.00	RM8	8.85	91.00	99.85
	(1) Spare (with dual rear wheels)	5.50	RM8	8.90	91.50	100.40
7.50-16/E (10PR) Maximum Tire Capacity Each—Front (2780) Rear (2780)						
—Highway Nylon	(4) Front & rear	6.00	RM5	7.65	89.50	97.15
	(2) Front	6.00	RM5	4.30	51.00	55.30
	(1) Spare	6.00	RM5	9.10	92.00	101.10
—On-Off Road Nylon	(2) Rear	6.00	RM6	4.95	59.00	63.95
	(1) Spare	6.00	RM6	10.25	106.50	116.75
7.00-18/D (8PR) Maximum Tire Capacity Each—Front (2440) Dual Rear (2140)						
—Highway Nylon	(6) Front & dual rear	5.00	R90	23.60	248.00	271.60
	(1) Spare	5.00	R90	9.45	97.00	106.45

◇ State and local taxes not included.

P30 SERIES MOTOR HOME

WIDE BASE TUBELESS TIRES (Factory Installed)

Tire Size and Type		Rim Width Included In Tire Option	Option Number	Factory D & H	List Price	Mfr's Suggested Retail Delivered Price \diamond
Note: Front and rear tires must be of same rim width and diameter.						
Dealer Note: When dual rear tires are specified, the following equipment will be applied to the order as shown in the dual rear tire portion of the order form.						
THIS EQUIPMENT IS NOT PRICED IN THE TIRE OPTION AND WILL REFLECT ON THE INVOICE IN THE FOLLOWING MANNER:						
Includes dual rear chassis provisions and 4.57 ratio 7200-lb rear axle . . . R05				N.C.	N.C.	N.C.
8.00-16.5/D (8PR) Maximum Tire Capacity Each—Front (2045) Dual Rear (1800)						
—Highway Nylon	(6) Front & dual rear	6.00	RP3	\$18.50	\$203.00	\$221.50
	(1) Spare	6.00	RP3	8.20	84.50	92.70
8.75-16.5/C (6PR) Maximum Tire Capacity Each—Front (1990)						
—Highway Nylon	(2) Front	6.00	Std	N.C.	N.C.	N.C.
	(1) Spare	6.00	RP5	7.70	76.50	84.20
8.75-16.5/D (8PR) Maximum Tire Capacity Each—Front (2350) Rear (2350)						
—Highway Nylon	(2) Front	6.00	RP6	1.45	19.00	20.45
	(2) Rear	6.00	Std	N.C.	N.C.	N.C.
	(1) Spare	6.00	RP6	8.35	84.50	92.85
—On-Off Road Nylon	(2) Rear	6.00	RQ4	2.10	21.00	23.10
	(1) Spare	6.00	RQ4	9.05	94.50	103.55
9.50-16.5/D (8PR) Maximum Tire Capacity Each—Front (2780) Rear (2780)						
—Highway Nylon	(4) Front & rear	6.75	RP9	6.20	71.00	77.20
	(2) Front	6.75	RP9	4.05	48.00	52.05
	(1) Spare	6.75	RP9	9.75	100.50	110.25
—On-Off Road Nylon	(2) Rear	6.75	RQ5	3.40	44.00	47.40
	(1) Spare	6.75	RQ5	10.35	110.50	120.85
9.50-16.5/E (10PR) Maximum Tire Capacity Each—Front (3170) Rear (3170)						
—Highway Nylon	(2) Front	6.75	RQ6	7.90	101.00	108.90
	(2) Rear	6.75	RQ6	6.45	82.00	88.45
	(1) Spare	6.75	RQ6	10.25	108.50	118.75
—On-Off Road Nylon	(2) Rear	6.75	RQ7	7.85	103.00	110.85
	(1) Spare	6.75	RQ7	10.90	118.50	129.40

SPARE WHEELS

Wheel Type	Option Number	Factory D & H	List Price	Mfr's Suggested Retail Delivered Price \diamond
<i>For tube-type tires</i>				
16" x 5.50"	S76	\$1.45	\$18.50	\$19.95
16" x 6.00"	Q20	1.40	18.00	19.40
18" x 5.00"	Q31	1.60	21.00	22.60
<i>For tubeless tires</i>				
16.5" x 6.00"	QE6	.80	10.50	11.30
16.5" x 6.75"	QE7	.95	12.00	12.95

\diamond State and local taxes not included.

NOTES

P30 SERIES FC CHASSIS—GASOLINE

GVW Ratings up to 14,000 lb

P30 SERIES—FC CHASSIS

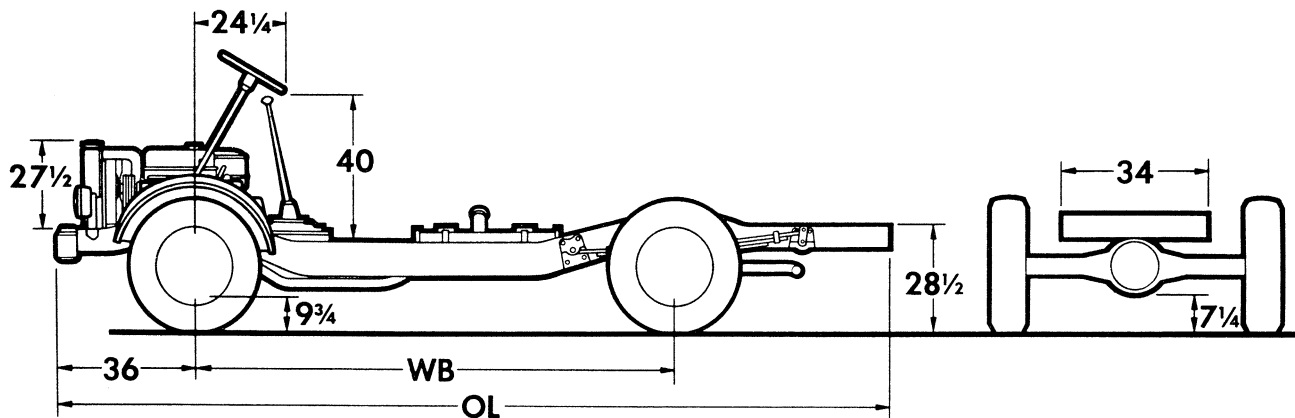
Six-Cylinder Models

PS30842 FC Chassis
PS31042 FC Chassis
PS31442 FC Chassis

V8 Models

PE30842 FC Chassis
PE31042 FC Chassis
PE31442 FC Chassis

DIMENSIONS (With std equipment, unloaded)



Models	Dimensions (in)		→ Curb Weights (lb)			Body-Payload Wt. Dist.	
	WB	OL	Front	Rear	Total	Front	Rear
PS30842 PE30842	125	220	1852 1959	1188 1205	3040 3164	Determined by style, length & weight of body.	
PS31042 PE31042	133	228	1898 2007	1164 1179	3062 3186		
PS31442 PE31442	157	252	1954 2063	1224 1239	3178 3302		

P30 SERIES STEP-VAN KING ALUMINUM—GASOLINE

GVW Ratings up to 14,000 lb

P30 SERIES—STEP-VAN KING ALUMINUM

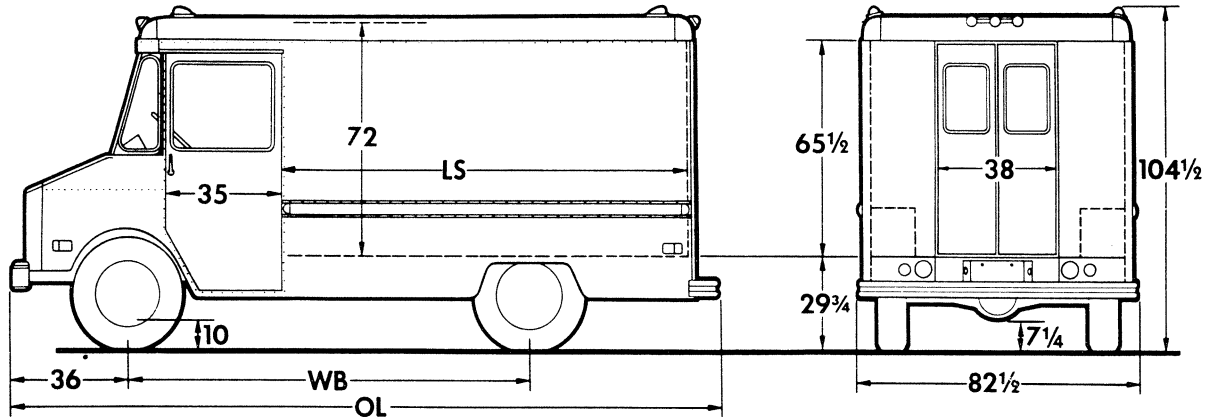
Six-Cylinder Models

PS30855 Step-Van King Aluminum
PS31055 Step-Van King Aluminum
PS31455 Step-Van King Aluminum

V8 Models

PE30855 Step-Van King Aluminum
PE31055 Step-Van King Aluminum
PE31455 Step-Van King Aluminum

DIMENSIONS (With std equipment, unloaded)



Models	Dimensions (in)			→ Curb Weights (lb)			Body-Payload Wt. Dist. *	
	WB	OL	LS	Front	Rear	Total	Front	Rear
PS30855 PE30855	125	216.7	123.5	2325 2433	2443 2459	4768 4892	9%	91%
PS31055 PE31055	133	240.6	147.6	2467 2579	2392 2404	4859 4983	6%	94%
PS31455 PE31455	157	264.7	171.6	2522 2633	2513 2526	5035 5159	12%	88%

*Estimate based on water-level loading.

Body Dimensions

Models	Body Type	LS (in)	Width (in)	Height (in)	Cubic Capacity (cu ft)
PS30855 PE30855	Standard.....	123.5	77½	72	375
	Standard body with optional interior height.....	123.5	77½	76	397
	Optional body extension with standard interior height.....	129.5	77½	72	394
	Optional body extension with optional interior height.....	129.5	77½	76	417
PS31055 PE31055	Standard.....	147.5	77½	72	450
	Standard body with optional interior height.....	147.5	77½	76	476
	Optional body extension with standard interior height.....	153.5	77½	72	469
	Optional body extension with optional interior height.....	153.5	77½	76	496
PS31455 PE31455	Standard.....	171.5	77½	72	525
	Standard body with optional interior height.....	171.5	77½	76	555
	Optional body extension with standard interior height.....	177.5	77½	72	544
	Optional body extension with optional interior height.....	177.5	77½	76	575

P30 SERIES FC CHASSIS—GASOLINE (EXCEPT MOTOR HOME)

STANDARD EQUIPMENT

Air Cleaner: Dual element; polyurethane band around an oiled-paper element

Axle, Front: Independent; capacity 3500 lb

Axle, Rear: Hypoid full-floating type; ratio 4.57; capacity 7200 lb

→ **Battery:** 12-volt; side terminal connectors
PS30: 54-plate; capacity 45 amp-hr
PE30: 66-plate; capacity 61 amp-hr

Brakes, Service: Hydraulic/vacuum; cowl mounted; integral master cylinder and power unit with one 8.0" and one 9.5" diaphragm; self-adjusting; dual system
Front: single-piston caliper disc type, 12.5" rotor
Rear: drum & shoe size—13" x 2½"

Rear brake area: drum 204.2 sq in; lining 127.7 sq in
Brake, Parking: Cable to rear wheels; area 127.7 sq in; Orscheln-type lever

Bumper: Front only, painted

Carburetor: PS30: single-barrel downdraft
PE30: two-barrel downdraft

Clutch: Diameter 11"; area 124 sq in

Cooling:

PS30: 1.26" radiator core, cross-flow type; 446-sq-in area; 15-lb pressure cap

PE30: 1.26" radiator core, cross-flow type; 480-sq-in area; 15-lb pressure cap

Controls & Instruments: Light switch; headlight beam control; speedometer; odometer; ammeter; fuel gauge; engine temperature gauge; oil pressure gauge; high beam indicator light; direction signal light; brake warning light. Ignition switch with accessory position. Direction signal control with freeway lane-change position. Hazard warning switch

Emission Control Equipment: See Engine & Clutch section for types used

Engine:

PS30: 250 Six

Gross horsepower 145 @ 4200 rpm

Net horsepower 110 @ 4000 rpm

Gross torque, lb-ft. 230 @ 1600 rpm

Net torque, lb-ft. 185 @ 1600 rpm

PE30: 307 V8

Gross horsepower 215 @ 4800 rpm

Net horsepower 135 @ 4000 rpm

Gross torque, lb-ft. 305 @ 2800 rpm

Net torque, lb-ft. 230 @ 2000 rpm

Exhaust System: Single, fully aluminized; unitized muffler-tailpipe

Filter, Fuel: Plastic mesh in fuel tank; paper-type in carburetor

Filter, Oil: Full-flow; 1-quart; throwaway type

Frame: 39,000-lb-test steel; section modulus 5.05 (PS/PE308-310 models); 7.29 (PS/PE314 models)

Generator: 42-amp Delcotron

GVW Plate: See GVW Selector

Lights: Furnished in loose parts box—misc. wiring; two 7" Power Beam headlights; two Class A front combination parking/direction signals; two Class A rear combination tail/stop/direction; two front and two rear side marker combination lights & reflectors; two license; instrument panel. Front side marker lights flash with turn signals

Shock Absorbers: Front and rear; piston diameter 1"

Springs, Front: Coil; capacity 1750 lb each at ground

Springs, Rear: Leaf; capacity 3100 lb each at ground

Stabilizer Bar: Front and rear

Steering: Ball-gear, ratio 27.7:1; wheel diameter 17"; 2-spoke

Tank, Fuel: Outside RH frame rail; capacity approx 30 gallons

Tires: Four tubeless 8.75-16.5C (6PR) nylon front and 8.75-16.5D (8PR) single rear

Tools: Wheel wrench

Transmission: Chevrolet CH465 4-speed; ratios 6.55, 3.58, 1.70, 1.00, 6.09 (rev.); SAE 6-bolt power take-off openings on both sides

Wheels: Four 16.5" x 6.0"; attachment, 8 studs on 6½" circle. Four painted hub caps

GVW SELECTOR

GVW Rating (lb)	Minimum Equipment Required for GVW Rating		
	Tires, Front	Tires, Rear	Chassis Equipment
7300	8.75-16.5C (6PR) (TL)	8.75-16.5D (8PR) (TL)	Standard
	7.50-16C (6PR) (TB)	7.50-16D (8PR) (TB)	
10,000	7.50-16C (6PR)	7.50-16C (6PR) Dual	4150-lb ea main & auxiliary rear spring
11,000	7.00-18D (8PR)	7.00-18D (8PR) Dual	11,000-lb rear axle with 5900-lb ea spring & 2000-lb ea front spring
14,000	8-19.5D (8PR)	8-19.5E (10PR) Dual	

TL—Tubeless TB—Tube type

P30 SERIES STEP-VAN KING—GASOLINE P30 SERIES STEP-VAN KING ALUMINUM—GASOLINE

STANDARD EQUIPMENT

Air Cleaner: Dual element; polyurethane band around an oiled-paper element

Axle, Front: Independent type; capacity 3500 lb

Axle, Rear: Hypoid full-floating type; ratio 4.57; capacity 7200 lb

→ **Battery:** 12-volt; side terminal connectors
PS30: 54-plate; capacity 45 amp-hr
PE30: 66-plate; capacity 61 amp-hr

Brakes, Service: Hydraulic; vacuum power; self-adjusting; dual system; cowl mounted integral master cylinder and power unit with one 8.0" and one 9.5" diaphragm
Front: single-piston caliper disc type, 12.5" rotor
Rear: drum & shoe size 13" x 2½"

Rear brake area: drum 204.2 sq in; lining 127.7 sq in

Brake, Parking: Cable to rear wheels; area 127.7 sq in; Orscheln-type lever

Bumper: Front and rear, painted

Carburetor:
PS30: single-barrel downdraft
PE30: two-barrel downdraft

Clutch: Diameter 11"; area 124 sq in

Cooling:
PS30: 1.26" radiator core, cross-flow type; 446-sq-in area; 15-lb pressure cap
PE30: 1.26" radiator core, cross-flow type, 480-sq-in area; 15-lb pressure cap

Controls & Instruments: Windshield wiper-washer switch; light switch; headlight beam control; speedometer; odometer; ammeter; fuel gauge; engine temperature gauge; oil pressure gauge; high beam indicator light; direction signal light; brake warning light. Ignition switch with accessory position. Direction signal control with freeway lane-change position. Hazard warning switch.

Emission Control Equipment: See Engine & Clutch section for types used

Engine:
PS30: 250 Six
Gross horsepower 145 @ 4200 rpm
Net horsepower 110 @ 4000 rpm
Gross torque, lb-ft. 230 @ 1600 rpm
Net torque, lb-ft. 185 @ 1600 rpm
PE30: 307 V8
Gross horsepower 215 @ 4800 rpm
Net horsepower 135 @ 4000 rpm
Gross torque, lb-ft. 305 @ 2800 rpm
Net torque, lb-ft. 230 @ 2000 rpm

Exhaust System: Single, fully aluminized; unitized muffler-tailpipe

Filter, Fuel: Plastic mesh in fuel tank; paper type in carburetor

Filter, Oil: Full-flow; 1-quart; throwaway type

Frame: 39,000-lb-test steel; section modulus 5.05 (PS/PE308-310 models); 7.29 (PS/PE314 models)

Generator: 42-amp Delcotron

GVW Plate: See GVW Selector

Heater & Defroster: Deluxe-Air

Lights: Two 7" Power Beam headlights; two Class A front combination parking/direction signals; two Class A rear combination tail/stop/direction signals; two front and two rear side marker combination lights & reflectors; five amber front identification & clearance; five red rear identification & clearance; two backup; two license; instrument panel & dome. Front side marker lights flash with turn signals

Mirror, Rearview: Exterior RH & LH 5½" x 8¾" head with multi-fixed arm

Seat: Driver only; vinyl trim

Shock Absorbers: Front and rear; piston diameter 1"

Springs, Front: Coil; capacity 1750 lb each at ground

Springs, Rear: Leaf; capacity 3100 lb each at ground

Stabilizer Bar: Front and rear

Steering: Ball-gear, ratio 27.7:1; wheel diameter 17"; 2-spoke

Tank, Fuel: Outside RH frame rail; capacity approx 30 gallons

Tires: Four tubeless 8.75-16.5C(6PR) nylon front and 8.75-16.5D (8PR) single rear

Tools: Wheel wrench

Transmission: Chevrolet CH465 4-speed; ratios 6.55, 3.58, 1.70, 1.00, 6.09 (rev); SAE 6-bolt power take-off openings on both sides

Wheels: Four 16.5" x 6.0"; attachment, 8 studs on 6½" circle. Four painted hub caps

Windshield Wipers & Washer: Electric; 2-speed wipers

GVW SELECTOR

GVW Rating (lb)	Minimum Equipment Required for GVW Rating		
	Tires, Front	Tires, Rear	Chassis Equipment
7300	8.75-16.5C (6PR) (TL) or 7.50-16C (6PR) (TB)	8.75-16.5D (8PR) (TL) or 7.50-16D (8PR) (TB)	Standard
10,000	7.50-16C (6PR)	7.50-16C (6PR) Dual	4150-lb as main & auxiliary rear spring
11,000	7.00-18D (8PR)	7.00-18D (8PR) Dual	11,000-lb rear axle with 5900-lb ea spring & 2000-lb ea front spring
14,000	8-19.5D (8PR)	8-19.5E (10PR) Dual	

TL—Tubeless TB—Tube type

NOTES

**P30 SERIES—GASOLINE
(7300-lb—14,000-lb GVW)
1971 MODELS WITH STANDARD EQUIPMENT**

Model Number and Description	Wheel-base	Factory D & H	List Price	Mfr's Sgt'd Retail Price★	Desti- nation Charge & Group Number	Total
------------------------------	------------	------------------	---------------	------------------------------------	--	-------

➔ **6-Cylinder 145-hp High Torque 250 Engine**

●PS30835	Step-Van King (10-ft)	125"	\$310.00	\$4052.00	\$4362.00	44	
PS30842	Forward-Control Chassis	125"	183.00	2366.00	2549.00	25	
●PS30855	Step-Van King Aluminum (10-ft)	125"	359.00	4705.00	5064.00	44	
●PS31035	Step-Van King (12-ft)	133"	318.00	4157.00	4475.00	44	
PS31042	Forward-Control Chassis	133"	185.00	2396.00	2581.00	25	
●PS31055	Step-Van King Aluminum (12-ft)	133"	380.00	4976.00	5356.00	44	
●PS31435	Step-Van King (14-ft)	157"	328.00	4294.00	4622.00	44	
PS31442	Forward-Control Chassis	157"	188.00	2431.00	2619.00	25	
●PS31455	Step-Van King Aluminum (14-ft)	157"	401.00	5267.00	5668.00	44	

➔ **8-Cylinder 215-hp High Torque 307 Engine**

●PE30835	Step-Van King (10-ft)	125"	319.00	4167.00	4486.00	44	
PE30842	Forward-Control Chassis	125"	192.00	2481.00	2673.00	25	
●PE30855	Step-Van King Aluminum (10-ft)	125"	368.00	4820.00	5188.00	44	
●PE31035	Step-Van King (12-ft)	133"	327.00	4272.00	4599.00	44	
PE31042	Forward-Control Chassis	133"	194.00	2511.00	2705.00	25	
●PE31055	Step-Van King Aluminum (12-ft)	133"	388.00	5091.00	5479.00	44	
●PE31435	Step-Van King (14-ft)	157"	337.00	4409.00	4746.00	44	
PE31442	Forward-Control Chassis	157"	196.00	2546.00	2742.00	25	
●PE31455	Step-Van King Aluminum (14-ft)	157"	410.00	5382.00	5792.00	44	

★ Manufacturer's Suggested Retail Prices do not include state and local taxes, license fees, options or accessories.

● Step-Van chassis will be shipped to Union City Body Co. where all body work will be done. These units will be serviced and conditioned for highway travel after body is installed. A conditioning charge of \$11.00 will be added.

➔ Indicates Change

P30 SERIES—GASOLINE

OPTIONS AND ACCESSORIES WHEN INSTALLED BY CHEVROLET

Description	Option Number	Factory D & H	List Price	Mfr's Suggested Retail Delivered Price [◇]
-------------	---------------	---------------	------------	---

POWER TEAMS AND AXLES

Engines:

292 Six. PS30 models only.	L25	\$ 6.85	\$ 90.00	\$ 96.85
350 V8. PE30 models only. Includes 4.10 ratio rear axle when single rear wheels are ordered. Also includes 12" clutch.	LS9	3.20	42.00	45.20
Liquid Petroleum Gas Conversion. Available only when 6 cyl or 350 V8 engine and standard transmission are ordered. Includes internal modifications of valves, compression ratio and heat shield.	L56	6.85	90.00	96.85
Transmission: Turbo Hydra-matic. Includes park position on transmission and HD radiator.	M49	17.50	230.00	247.50

Axles, Rear:

4.10 Ratio. Available with 250, 292 or 307 engine and single rear wheels or 350 engine with dual rear wheels only.	HB8	.95	12.00	12.95
4.57 Ratio. Available with single rear wheels when 350 engine is ordered or when dual rear wheels with 250, 292 or 307 engine is ordered.	H20	.95	12.00	12.95
6.17 Ratio, Capacity 11,000-lb. Available only when dual rear wheels, standard transmission, HD radiator and 7.00-18/D tube-type or 8-19.5 tubeless tires are ordered. Includes 2000-lb each front springs, HD front and rear shock absorbers and 5900-lb each main and auxiliary rear springs.	H22	29.60	389.00	418.60
NoSPIN. Not available when dual rear wheels are ordered.	G86	9.50	125.00	134.50

OTHER OPTIONS

Battery, Heavy-Duty: 12-volt, 80-amp-hr, 15-plate.	T60	1.25	16.00	17.25
Brakes: Parking. Drum-type. Not available when 11,000-lb rear axle or Turbo Hydra-matic transmission is ordered.	J76	1.90	25.00	26.90
Carrier, Spare Wheel: Under frame.	P10	.80	10.00	10.80
Cooling: HD radiator only. Included when automatic transmission is ordered.	V01	1.90	25.00	26.90
Generator: 61-amp Delcotron.	K76	.65	8.00	8.65
Plate: Serial Number (State of Pennsylvania)				
"K" Plate. Available only when dual rear wheels and 4150-lb. each rear springs are ordered.	Z55	N.C.	N.C.	N.C.
"T" Plate. Available only when 11,000-lb rear axle is ordered.	Z74	N.C.	N.C.	N.C.
Shock Absorbers, Heavy-Duty:				
Front and Rear. Included when 11,000-lb rear axle is ordered.	F51	1.15	15.00	16.15
Rear. Not available when 11,000-lb rear axle is ordered.	G68	.65	8.00	8.65
Springs: Not available when 11,000-lb rear axle is ordered				
Front. Heavy-duty. Capacity 2000-lb each. Includes 4000-lb front suspension	F60	.50	6.00	6.50
Rear. Main and auxiliary type. Capacity 4150-lb each.	G60	3.05	40.00	43.05
Steering, Power.	N40	9.50	125.00	134.50
Tires and Wheels: See following pages				

[◇] State and local taxes not included.

P30 SERIES STEP-VAN KING—GASOLINE

OPTIONS AND ACCESSORIES WHEN INSTALLED BY UNION CITY BODY CO.

Description	Option Number	Factory D & H	List Price	Mfr's Suggested Retail Delivered Price [◇]
Body Extension: 6" additional body length in load space	E32AR	\$4.20	\$55.00	\$59.20
Carrier, Spare Wheel: Inside-mounted				
Left Door Pocket	E32LL	1.15	15.00	16.15
Right Door Pocket	E32RL	1.15	15.00	16.15
Doors, Rear: Specify opening width and door type (Replacing standard double doors with 38" opening)				
Double Doors; 60" opening	E32AA	3.05	40.00	43.05
Wraparound Double Doors; 74" opening with piano hinges	E32AB	6.85	90.00	96.85
Wraparound Double Doors; 74" opening with strap hinges	E32AC	7.60	100.00	107.60
Floor: (Replacing 18-gauge corrugated floor) Smooth floor; 11-gauge	E32AJ	4.20	55.00	59.20
Glass, Soft-Ray: Windshield only	E32BU	1.90	25.00	26.90
Height Addition: 76" inside height	E32BP	9.20	121.00	130.20
Lamp: Dome. Extra light mounted over load space	E32BB	.40	5.00	5.40
Mirrors, Exterior: Specify location				
LH 4" x 16"	E32BW	1.00	13.00	14.00
RH 4" x 16"	E32BX	1.00	13.00	14.00
Paints, Exterior: See Color and Trim Chart				
Solid (Chevrolet options)	E32	N.C.	N.C.	N.C.
Two-Tone (Chevrolet options)	E32	3.45	45.00	48.45
Body in Prime	E32BM	N.C.	N.C.	N.C.
<i>Special Applications—Contact Union City Body Co. for prices</i>				
Partition, Sliding: Plywood. Located between driver's seat and load compartment	E32AM	6.85	90.00	96.85
Seats:				
Foam-Rubber. Driver's seat only	E32AN	.40	5.00	5.40
Passenger. Same as standard driver's seat	E32BJ	4.35	57.00	61.35
Wheelhousings: Dual-wheel type. Required when dual rear tires are ordered	E32BH	1.90	25.00	26.90
Window, Sliding: Right front door	E32BV	2.75	36.00	38.75

For special body work not covered by the above options, dealer should contact Union City Body Co., Union City, Indiana. Subsequent installation and payment for such special body work will be handled between the body company and the dealer.

[◇] State and local taxes not included.

P30 SERIES STEP-VAN KING (ALUMINUM)—GASOLINE

OPTIONS AND ACCESSORIES WHEN INSTALLED BY UNION CITY BODY CO.

Description	Option Number	Factory D & H	List Price	Mfr's Suggested Retail Delivered Price ¹
Body Extension: 6" additional body length in load space	E33XF	\$ 5.70	\$ 75.00	\$ 80.70
Carrier, Spare Wheel: Inside-mounted				
Left Door Pocket	E33LL	1.15	15.00	16.15
Right Door Pocket	E33LL	1.15	15.00	16.15
Doors, Rear: Specify opening width and door type (Replacing standard double doors with 38" opening)				
Double Doors; 60" opening	E33XA	3.45	45.00	48.45
Double Doors; 74" opening with strap hinges	E33XB	8.40	110.00	118.40
Floor: Smooth type				
With 10-ft body	E33XC	9.50	125.00	134.50
With 12-ft body	E33XD	11.40	150.00	161.40
With 14-ft body	E33XE	13.30	175.00	188.30
Glass, Soft-Ray: Windshield only	E33BU	1.90	25.00	26.90
Height Addition: 76" inside height	E33XJ	12.55	165.00	177.55
Lamp: Dome. Extra light mounted over load space	E33BB	.40	5.00	5.40
Mirrors, Exterior: Specify location and type				
LH 4" x 16"	E33BW	1.00	13.00	14.00
RH 4" x 16"	E33BX	1.00	13.00	14.00
Paints, Exterior: See <i>Color and Trim Chart</i>				
Solid (Chevrolet options)	E33	10.65	140.00	150.65
Two-Tone (Chevrolet options)	E33	12.55	165.00	177.55
Body in Prime	E33XH	5.35	70.00	75.35
<i>Special Applications</i> —Contact Union City Body Co. for prices				
Partition, Sliding: Plywood. Located between driver's seat and load compartment	E33AM	6.85	90.00	96.85
Seats:				
Foam-Rubber. Driver's seat	E33AN	.40	5.00	5.40
Passenger. Same as standard driver's seat	E33BJ	4.35	57.00	61.35
Wheelhousings: Dual wheel type. Includes fenders. Required when dual rear tires are ordered	E33XG	3.00	39.00	42.00
Window, Sliding: Right front door	E33XK	3.75	49.00	52.75

For special body work not covered by the above options, dealer should contact Union City Body Co., Union City, Indiana. Subsequent installation and payment for such special body work will be handled between the body company and the dealer.

¹ State and local taxes not included.

P30 SERIES

TUBE-TYPE TIRES (Factory Installed)

Tire Size and Type		Rim Width Included In Tire Option	Option Number	Factory D & H	List Price	Mfr's Suggested Retail Delivered Price [◇]
Note: Front and rear tires must be of the same rim width and diameter.						
Dealer Note: When dual rear tires are specified, the following equipment will be applied to the order as shown in the dual rear tire portion of the order form.						
<i>THIS EQUIPMENT IS NOT PRICED IN THE TIRE OPTION AND WILL REFLECT ON THE INVOICE IN THE FOLLOWING MANNER:</i>						
Includes dual rear chassis provisions and 4.57 ratio rear axle when 350 engine is ordered without 11,000-lb rear axle on PE30 models only. Also includes 5.14 ratio 7200-lb rear axle when 250, 292 or 307 engine is ordered without 11,000-lb rear axle on PS-PE30 models only.....						
				R05	N.C.	N.C.
				N.C.	N.C.	N.C.
6.50-16/C (6PR) Maximum Tire Capacity (Each)—Front (1610) Dual Rear (1420)						
—Highway Nylon	(6) Front & dual rear	5.50	R65	\$11.20	\$127.00	\$138.20
	(1) Spare	5.50	R65	6.25	64.50	70.75
7.00-16/C (6PR) Maximum Tire Capacity (Each)—Front (1800) Dual Rear (1580)						
—Highway Nylon	(6) Front & dual rear	5.50	R78	11.35	111.00	122.35
	(2) Front	5.50	R78	N.C.	N.C.	N.C.
	(1) Spare	5.50	R78	6.80	67.50	74.30
—On-Off Road Nylon	(4) Dual rear	5.50	R71	14.60	156.00	170.60
	(1) Spare	5.50	R71	7.65	79.00	86.65
7.50-16/C (6PR) Maximum Tire Capacity (Each)—Front (2060) Rear (2060) Dual Rear (1815)						
—Highway Nylon	(4) Front & rear	6.00	R67	2.25	34.50	36.75
	(2) Front (with single rear wheels)	6.00	R67	1.30	19.50	20.80
	(2) Front (with dual rear wheels)	5.50	R67	1.35	20.50	21.85
	(4) Dual rear	5.50	R67	15.15	155.00	170.15
	(1) Spare (with single rear wheels)	6.00	R67	11.55	76.00	87.55
	(1) Spare (with dual rear wheels)	5.50	R67	11.60	76.50	88.10
—On-Off Road Nylon	(2) Rear (with single rear wheels)	6.00	RM7	2.80	38.00	40.80
	(4) Dual rear	5.50	RM7	18.65	198.50	217.15
	(1) Spare (with single rear wheels)	6.00	RM7	8.45	87.00	95.45
	(1) Spare (with dual rear wheels)	5.50	RM7	8.50	87.50	96.00
7.50-16/D (8PR) Maximum Tire Capacity (Each)—Front (2440) Rear (2440) Dual Rear (2140)						
—Highway Nylon	(2) Front (with single rear wheels)	6.00	R68	2.20	29.00	31.20
	(2) Front (with dual rear wheels)	5.50	R68	2.25	30.00	32.25
	(2) Rear (with single rear wheels)	6.00	R68	1.15	15.00	16.15
	(4) Dual rear	5.50	R68	16.75	171.00	187.75
	(1) Spare (with single rear wheels)	6.00	R68	7.90	79.00	86.90
	(1) Spare (with dual rear wheels)	5.50	R68	7.95	79.50	87.45
—On-Off Road Nylon	(2) Rear (with single rear wheels)	6.00	RM8	3.15	40.00	43.15
	(4) Dual rear	5.50	RM8	20.45	217.00	237.45
	(1) Spare (with single rear wheels)	6.00	RM8	8.85	91.00	99.85
	(1) Spare (with dual rear wheels)	5.50	RM8	8.90	91.50	100.40
7.50-16/E (10PR) Maximum Tire Capacity (Each)—Front (2780) Rear (2780)						
—Highway Nylon	(4) Front & rear	6.00	RM5	7.65	89.50	97.15
	(2) Front	6.00	RM5	4.30	51.00	55.30
	(1) Spare	6.00	RM5	9.10	92.00	101.10
—On-Off Road Nylon	(2) Rear	6.00	RM6	4.95	59.00	63.95
	(1) Spare	6.00	RM6	10.25	106.50	116.75
7.00-18/D (8PR) Maximum Tire Capacity (Each)—Front (2590) Dual Rear (2270)						
—Highway Nylon	(6) Front & dual rear	5.00	R90	23.60	248.00	271.60
	(1) Spare	5.00	R90	9.45	97.00	106.45

◇ State and local taxes not included.

P30 SERIES

WIDE BASE TUBELESS TIRES (Factory Installed)

Tire Size and Type	Rim Width Included In Tire Option	Option Number	Factory D & H	List Price	Mfr's Suggested Retail Delivered Price	
Note: Front and rear tires must be of the same rim width and diameter.						
Dealer Note: When dual rear tires are specified, the following equipment will be applied to the order as shown in the dual rear tire portion of the order form.						
<i>THIS EQUIPMENT IS NOT PRICED IN THE TIRE OPTION AND WILL REFLECT ON THE INVOICE IN THE FOLLOWING MANNER:</i>						
Includes dual rear chassis provisions and 4.57 ratio rear axle when 350 engine is ordered without 11,000-lb rear axle on model PE30 only. Also includes 5.14 ratio rear axle when 250, 292 or 307 engine is ordered without 11,000-lb rear axle on models PS-PE30 only						
		R05	N.C.	N.C.	N.C.	
8.00-16.5/D (8PR) Maximum Tire Capacity (Each) —Front (2045) Dual Rear (1800)						
—Highway	(6) Front & dual rear	6.00	RP3	\$18.50	\$203.00	\$221.50
Nylon	(1) Spare	6.00	RP3	8.20	84.50	92.70
8.75-16.5/C (6PR) Maximum Tire Capacity (Each)—Front (1990)						
—Highway	(2) Front	6.00	Std	N.C.	N.C.	N.C.
Nylon	(1) Spare	6.00	RP5	7.70	76.50	84.20
8.75-16.5/D (8PR) Maximum Tire Capacity (Each)—Front (2350) Rear (2350)						
—Highway	(2) Front	6.00	RP6	1.45	19.00	20.45
Nylon	(2) Rear	6.00	Std	N.C.	N.C.	N.C.
	(1) Spare	6.00	RP6	8.35	84.50	92.85
—On-Off Road	(2) Rear	6.00	RQ4	2.10	21.00	23.10
Nylon	(1) Spare	6.00	RQ4	9.05	94.50	103.55
9.50-16.5/D (8PR) Maximum Tire Capacity (Each)—Front (2780) Rear (2780)						
—Highway	(4) Front & rear	6.75	RP9	6.20	71.00	77.20
Nylon	(2) Front	6.75	RP9	4.05	48.00	52.05
	(1) Spare	6.75	RP9	9.75	100.50	110.25
—On-Off Road	(2) Rear	6.75	RQ5	3.40	44.00	47.40
Nylon	(1) Spare	6.75	RQ5	10.35	110.50	120.85
9.50-16.5/E (10PR) Maximum Tire Capacity (Each)—Front (3170) Rear (3170)						
—Highway	(2) Front	6.75	RQ6	7.90	101.00	108.90
Nylon	(2) Rear	6.75	RQ6	6.45	82.00	88.45
	(1) Spare	6.75	RQ6	10.25	108.50	118.75
—On-Off Road	(2) Rear	6.75	RQ7	7.85	103.00	110.85
Nylon	(1) Spare	6.75	RQ7	10.90	118.50	129.40
*8-19.5/D (8PR) Maximum Tire Capacity (Each)—Front (2800) Dual Rear (2460)						
—Highway	(6) Front & dual rear	5.25	R98	27.40	276.00	303.40
Nylon	(2) Front	5.25	R98	4.30	45.00	49.30
	(1) Spare	5.25	R98	10.10	102.00	112.10
—On-Off Road	(4) Dual rear	5.25	R97	28.90	289.00	317.90
Nylon	(1) Spare	5.25	R97	11.50	116.00	127.50
*8-19.5/E (10PR) Maximum Tire Capacity (Each)—Front (3170) Dual Rear (2780)						
—Highway	(6) Front & dual rear	5.25	R99	36.90	419.00	455.90
Nylon	(4) Dual rear	5.25	R99	29.25	324.00	353.25
	(1) Spare	5.25	R99	11.55	124.00	135.55

SPARE WHEELS

Wheel Type	Option Number	Factory D & H	List Price	Mfr's Suggested Retail Delivered Price
<i>For tube-type tires</i>				
16" x 5.50"	S76	\$ 1.45	\$18.50	\$19.95
16" x 6.00"	Q20	1.40	18.00	19.40
18" x 5.00"	Q31	1.60	21.00	22.60
<i>For tubeless tires</i>				
16.5" x 6.00"	QE6	.80	10.50	11.30
16.5" x 6.75"	QE7	.95	12.00	12.95
*19.5" x 5.25"	Q36	2.00	26.00	28.00

* Available only when 11,000-lb rear axle is ordered.

◇ State and local taxes not included.