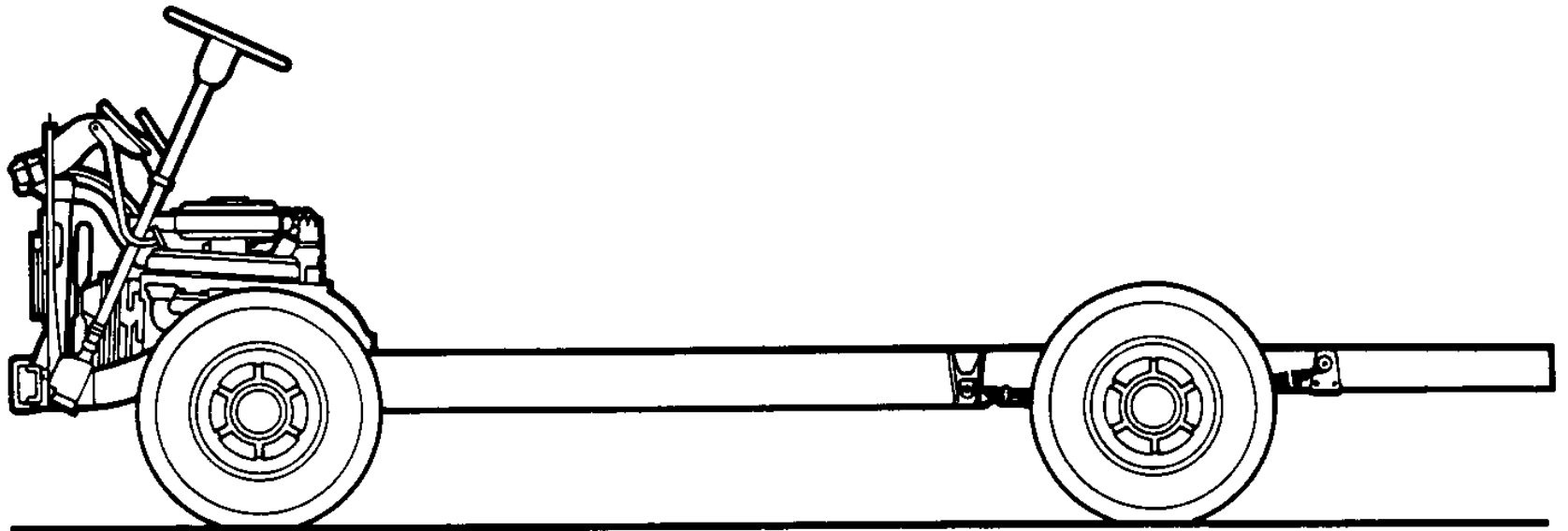




MOTOR HOME CHASSIS

MOTOR HOME CHASSIS MODEL SELECTOR



SERIES	MODEL NUMBER				BODY ORDERING CODE
	125" WB	137" WB	158½" WB	178" WB	
P30	CP30832	CP31132	CP31432	CP31832	ZW9

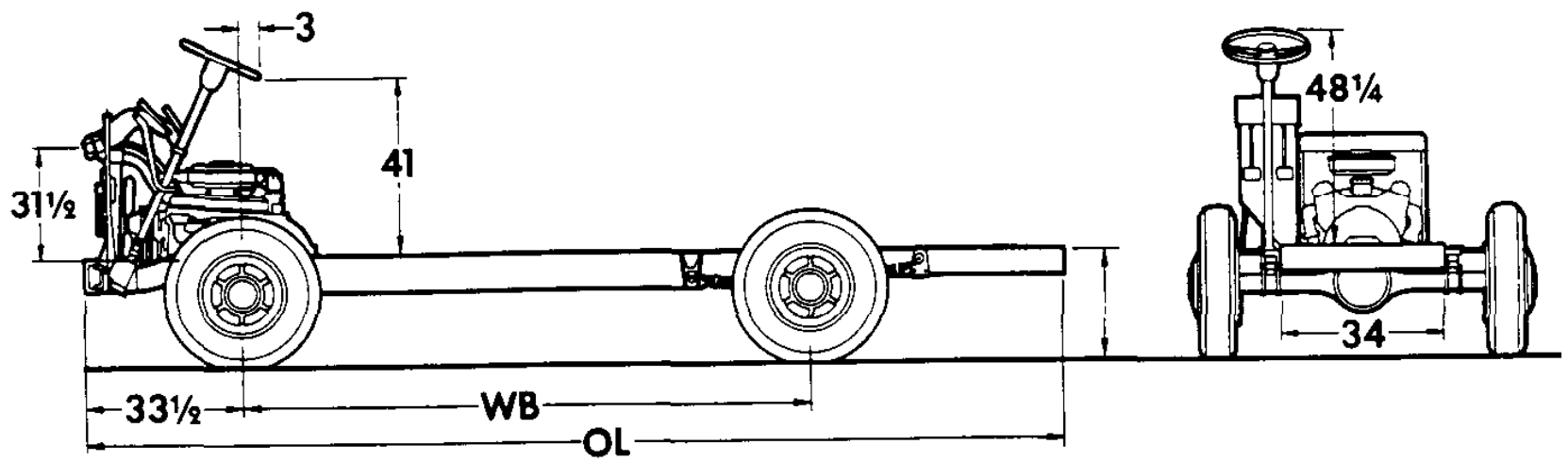
MOTOR HOME CHASSIS

STANDARD SPECIFICATIONS

(See Blue Tab Section for Specification Details)

✓ Model	CP30832, CP31132, CP31432	CP31832
Engine	350 V8	454 V8
Air Filter	Polyurethane-wrapped oiled-paper	
Oil Filter	Throwaway type 1 qt.	
Oil Cooler	Standard	
Exhaust System	Single; aluminized	
Exhaust Emission Control	Controlled Combustion System	
Suspension, Front	Independent	
Type	Coil Spring	Coil Spring with Auxiliary Air Spring
Capacity	4300 lb.	5000 lb.
Springs @ Ground	2200 lb. ea.	2500 lb. ea.
Shock Absorbers	1" dia.	1 3/8" dia.
Stabilizer Bar	Standard	
Suspension, Rear	Hypoid; Leaf Springs	
Axle Capacity	7500 lb.	10,000 lb.
Axle Ratio	4.10	4.56
Springs, Main @ Ground	3100 lb. ea.	4750 lb. ea.
Shock Absorbers	1" dia.	1 3/8" dia.
Stabilizer Bar	Standard	
Brakes	Hydraulic; Self-adjusting	
Front	Disc; 12.5" rotor	Disc; 14.25" rotor
Rear	Drum; 13" x 2 1/2"	Drum; 15" x 4"
Booster	Dual Bendix Units	Hydroboost
Parking	Cable to rear wheels	Prop shaft
Electrical	12-volt; negative ground	
Battery	80 amp.-hr.	
Delcotron Generator	61 amp.	
Frame	Carbon Steel; 39,000 psi	
Section Modulus	125-137" WB—5.26 158.5" WB—6.12	6.12
Fuel Tank (nominal capacity)		
Permanent	30 gal.	50 gal.
Temporary	1 gal.	1 gal.
Steering	Integral Power; Tilt Wheel	
Transmission	3-Speed Automatic	
Model	Turbo Hydra-matic 400	Turbo Hydra-matic 475
Oil Cooler	Standard	
Tires	Tubeless	
Front	(2) 8.75-16.5C(6PR)	(2) 8-19.5D(8PR)
Rear	(2) 8.75-16.5D(8PR)	(4) 8-19.5D(8PR)
Wheels	(4) 16.5" x 6.0"	(6) 19.5" x 6.75"

MOTOR HOME CHASSIS



√Model	Engine No. Cyl.	Body Length (ft.)	Dimensions (in)★		√ Curb Weights (lb)			Ground Clearance (in) ★	
			WB	OL	Front	Rear	Total	Front	Rear
CP30832	8	18-20	125	207 1/4	2066	1163	3229	8	7
CP31132	8	21-23	137	235 1/4	2075	1179	3254	8	7
CP31432	8	24-26	158 1/2	256 1/2	2142	1241	3383	8	7
CP31832	8	26-28	178	321 1/2	2440	2107	4547	8	7

★ Dimensions with std equipment, unloaded.

√GVW SELECTOR

†Maximum Ratings			Minimum Equipment Required for GVW Rating			
GVW Rating (lb)	▲GAWR (lb)		Tires, Front	Tires, Rear	Chassis Equipment	
	Front	Rear				
7600	3980	4700	8.75-16.5C(6PR) (TL)	8.75-16.5D(8PR) (TL)	Standard	
	4120	4880	7.50-16C(6PR) (TB)	7.50-16D(8PR) (TB)		
9000	4300	5560	9.50-16.5D(8PR) (TL)	9.50-16.5D(8PR) (TL)		
10,100	4090	6200	8.00-16.5D(8PR) (TL)	8.00-16.5D(8PR) Dual (TL)		
	4120		7.50-16C(6PR) (TB)	7.50-16C(6PR) Dual (TB)		
10,500	4300	6200	7.50-16D(8PR) (TB)	7.50-16C(6PR) Dual (TB)		
11,300	4300	7260	7.50-16D(8PR) (TB)	7.50-16C(6PR) Dual (TB)		HD rear springs
11,800	4300	7500	7.50-16D(8PR) (TB)	7.50-16D(8PR) Dual (TB)		
*14,000 (158 1/2" and 178" WB models only)	5000	9500	*8-19.5D(8PR)	*8-19.5D(8PR) Dual (TL)		<ul style="list-style-type: none"> • 10,000 lb rear axle; • 1454 WB engine; • 50 gal fuel tank

†GAWR's shown are the maximum for each axle. When ordering a truck the total of the actual weight on both front and rear axles cannot exceed the total GVW rating.

▲GAWR—Gross Axle Weight Rating TL—Tubeless TB—Tube type *Standard on 178" WB model.

●10,000 lb rear axle (RPO HF7 for model CP31432) includes 5000 lb front suspension, THM-47S Hydra-matic transmission and 14 25" front disc brakes.

MOTOR HOME CHASSIS

POWER TEAMS

ENGINES Description and Application (Standard or Optional)	TRANSMISSIONS Type (Standard or Optional)	REAR AXLES Type and Capacity	Ratios			
			With Single Rear Wheels [♦]		With Dual Rear Wheels	
			Standard	Optional	Standard	Optional
				Opt. 1		Opt. 1
125", 137" OR 158.5" WHEELBASE MODELS ONLY						
■ 350-cu-in V8 Engine Ordering Code LS9	Turbo Hydra-matic (Std)—M49	Chevrolet 7500	4.10	4.56	4.56	4.10
■ 454-cu-in V8 Option LF8	Turbo Hydra-matic (Std)—M49	Chevrolet 7500	4.10	—	4.56	4.10
	Turbo Hydra-matic (AT475)—M49	Chevrolet 10,000	—	—	4.56 or 4.88	
178" WHEELBASE MODEL ONLY						
■ 454-cu-in V8 Engine Ordering Code LF8	Turbo Hydra-matic (AT475)—M49	Chevrolet 10,000	—	—	4.56	4.88

♦ Eaton Locking Differential rear axle also available.

■ Available for registration in the State of California when California Emission Equipment is ordered.

ENGINE RATINGS

(Engine ratings shown below are S.A.E. net ratings @ 85°F)

	350 V8	454 V8
Net Horsepower	155 @ 4000 rpm	250 @ 4000 rpm
Net Torque, lb-ft	255 @ 2400 rpm	365 @ 2800 rpm

√Indicates Change

MOTOR HOME CHASSIS (7600-lb—14,000-lb GVW)

1973 MODELS WITH STANDARD EQUIPMENT

Prices shown are effective with vehicles manufactured on or after December 4, 1972

Description	Model Number	Body Ordering Code	Wheel-base	Factory D&H [§]	List Price	Mfr's Suggested Retail Price [★]	Destination Charge & Group Number	Total
8-Cylinder High Torque 350 Engine—Engine Ordering Code LS9								
Motor Home Chassis	CP30832	ZW9	125"	15.52	3238.00	3253.52	30
Motor Home Chassis	CP31132	ZW9	137"	15.52	3270.00	3285.52	30
Motor Home Chassis	CP31432	ZW9	158.5"	15.52	3308.00	3321.52	30
8-Cylinder High Torque 454 Engine—Engine Ordering Code LF8								
Motor Home Chassis	CP31832	ZW9	178"	27.98	4492.00	4519.96	30

- ★ Manufacturer's Suggested Retail Prices do not include applicable destination charges, state and local taxes, license fees, options or accessories
 ■ Available for registration in the State of California when California Emission Equipment is ordered.

OPTIONS AND ACCESSORIES WHEN INSTALLED BY CHEVROLET

Prices shown are effective with initial shipments

Description	Added Model Weight (F) (R)	Option Number	Factory D&H [§]	List Price	Mfr's Suggested Retail Price [◇]
-------------	----------------------------	---------------	--------------------------	------------	---

POWER TEAMS AND AXLES

(See Power Teams Chart for availability and complete specifications)

✓ Engine: 454 V8. Standard on 178" wheelbase model. Available for registration in the State of California when California Emission Equipment is ordered. Includes 4-barrel carburetor	170	38	LF8	N.C.	221.00	221.00
Axles, Rear:						
Optional Ratio 1. Not available when 454 engine is ordered with single rear wheels	0	1	ZN7	N.C.	12.00	12.00
✓ Capacity 10,000-lb. Standard on 178" wheelbase model. Available only on 158.5" wheelbase model with 454 engine, 50 gallon fuel tank and 8-19.5/D tires. Includes Turbo Hydra-matic THM-475 transmission, 5000-lb capacity Positrim front suspension, 4750-lb each capacity rear springs, HD front and rear shock absorbers and propeller shaft mounted parking brake.	0	423	HF7	N.C.	559.00	559.00
4.56 Ratio	0	423	HF8	N.C.	559.00	559.00
✓ Eaton Locking Differential. Not available on 178" wheelbase model or when 10,000-lb rear axle is ordered	0	4	G86	N.C.	128.00	128.00

OTHER OPTIONS

Air Conditioning Provision: Includes condenser, receiver dehydrator, Cool-Pac evaporator and Freon lines with quick connect fittings	69	2	C60	N.C.	325.00	325.00
California Emission Equipment: Dealer Note—Items shown below, priced as options indicated, must be ordered for vehicles destined for registration in the State of California. This equipment should be ordered by indicating option YF5, California Emission Certification Requirements, on the order form. Based on presence of the YF5 option, the applicable options detailed below will be added to the order, at prices shown, to insure that the vehicle conforms to State of California Registration requirements.	0	0	VJ9	N.C.	N.C.	N.C.
California Emission Certification Label	16	11	NA8	N.C.	47.00	47.00
Evaporative Emission Control. Includes emission canister on fuel line	-3	18	P10	N.C.	10.00	10.00
Carrier, Spare Wheel: Under frame						

- § D&H amounts reflect provision for pass through of tire weight tax imposed on manufacturer or importer of tires.
 ◇ State and local taxes not included.

✓ INDICATES CHANGE

MOTOR HOME CHASSIS

OPTIONS AND ACCESSORIES WHEN INSTALLED BY CHEVROLET

Prices shown are effective with initial shipments

Description	Added Model Weight (F) (R)	Option Number	Factory D&H [§]	List Price	Mfr's Suggested Retail Price [◇]
OTHER OPTIONS					
Gauges: Ammeter, temperature and oil pressure.....	1 0	Z53	N.C.	12.00	12.00
Plate: Serial Number (State of Pennsylvania) "K" Plate. Available only when optional rear springs and 7.50-16/D or 7.00-16/D tube-type or 8-19.5/D tubeless dual rear tires are ordered.....	0 0	Z55	N.C.	N.C.	N.C.
✓ Shock Absorbers, Heavy-Duty: Front and Rear. Standard on 178" wheelbase model. Included when 10,000-lb rear axle is ordered.....	3 4	F51	N.C.	15.00	15.00
✓ Springs: Rear. Not available on 178" wheelbase models or when 10,000-lb rear axle is ordered. Main and Auxiliary. Capacity 4000-lb each.....	0 18	G60	N.C.	41.00	41.00
Heavy-Duty. Capacity 3750-lb each.....	0 17	G50	N.C.	15.00	15.00
✓ Suspension, Positrim: Front. Standard on 178" wheelbase model. Included when 10,000-lb rear axle is ordered.....	1 0	F65	N.C.	49.00	49.00
✓ Tank, Fuel: 50 gallon approximate capacity. Standard on 178" wheelbase model. Not available on 125" wheelbase model. 137" wheelbase model only.....	81 83	NL6	N.C.	69.00	69.00
158.5" wheelbase model only.....	75 69	NL6	N.C.	69.00	69.00
Tires and Wheels: See following pages					
✓ Wheel Trim: Bright Metal Wheel Covers. Available only when 8.00-16.5/D, 7.50-16/C or 7.50-16/D dual rear tires are ordered. Not available on 178" wheelbase model or when 10,000-lb rear axle is ordered.....	4 4	P01	N.C.	26.00	26.00

[§] D&H amounts reflect provision for pass through of tire weight tax imposed on manufacturer or importer of tires.
[◇] State and local taxes not included.

✓ INDICATES CHANGE

MOTOR HOME CHASSIS

FACTORY INSTALLED TIRES (WITH 7500-LB REAR AXLE)

See Tire Compatibility Chart for Available Front/Rear Combinations.
Spare tire available to match either front or rear tires.
Prices shown are effective with initial shipments

Tire Size Type	Rim Width Included in Tire Option	Added Model Weight (F) (R)		Option Number	Factory D&H	List Price	Mfr's Suggested Retail Price ◇
WIDE BASE TUBELESS TIRES USED WITH SINGLE REAR WHEELS							
8.75-16.5/C (6PR) Maximum Tire Capacity (Each)—Front (1990)							
Highway Nylon							
Front (Standard)	6.00	0	0	XTC	N.C.	N.C.	N.C.
Spare	6.00	-14	78	ZTC	3.75	78.40	82.15
8.75-16.5/D (8PR) Maximum Tire Capacity (Each)—Front (2350) Rear (2350)							
Highway Nylon							
Front	6.00	0	0	XTE	.52	19.40	19.92
Rear (Standard)	6.00	0	0	YTE	N.C.	N.C.	N.C.
Spare	6.00	-15	83	ZTE	4.01	86.60	90.61
On-Off Road Nylon							
Rear	6.00	0	-2	YTF	.40	21.60	22.00
Spare	6.00	-15	82	ZTF	4.21	98.90	101.11
9.50-16.5/D (8PR) Maximum Tire Capacity (Each)—Front (2780) Rear (2780)							
Highway Nylon							
Front	6.75	33	0	XUD	1.76	49.20	50.96
Rear	6.75	0	26	YUD	1.24	23.60	24.84
Spare	6.75	-18	99	ZUD	4.63	103.00	107.63
On-Off Road Nylon							
Rear	6.75	0	32	YUE	1.50	45.20	46.70
Spare	6.75	-19	103	ZUE	4.76	113.30	118.06
9.50-16.5/E (10PR) Maximum Tire Capacity (Each)—Front (3170) Rear (3170)							
Highway Nylon							
Front	6.75	37	0	XUG	1.80	103.60	105.40
Rear	6.75	0	30	YUG	1.10	84.00	85.10
Spare	6.75	-19	102	ZUG	4.65	111.20	115.85
On-Off Road Nylon							
Rear	6.75	0	26	YUH	1.92	105.60	107.52
Spare	6.75	-18	99	ZUH	4.97	121.50	126.47

§ D&H amounts reflect provision for pass through of tire weight tax imposed on manufacturer or importer of tires.
◇ State and local taxes not included.

MOTOR HOME CHASSIS

FACTORY INSTALLED TIRES (WITH 7500-LB REAR AXLE)

See Tire Compatibility Chart for Available Front/Rear Combinations.
Spare tire available to match either front or rear tires.
Prices shown are effective with initial shipments

Tire Size Type	Rim Width Included in Tire Option	Added Model Weight (F) (R)	Option Number	Factory D&H‡	List Price	Mfr's Suggested Retail Price◇
TUBE-TYPE TIRES WHEN USED WITH SINGLE REAR WHEELS						
7.50-16/C (6PR) Maximum Tire Capacity (Each)—Front (2060) Rear (2060)						
Highway Nylon						
Front	5.50	0 0	XPB	.04	20.00	20.04
Spare	5.50	0 0	ZPB	3.77	77.90	81.67
7.50-16/D (8PR) Maximum Tire Capacity (Each)—Front (2440) Rear (2440)						
Highway Nylon						
Front	6.00	33 0	XPF	.66	29.80	30.46
Rear	6.00	0 22	YPF	.14	15.40	15.54
Spare	6.00	-18 98	ZPF	4.08	81.00	85.08
On-Off Road Nylon						
Rear	6.00	0 40	YPG	1.10	41.00	42.10
Spare	6.00	-20 109	ZPG	4.56	93.30	97.86
7.50-16/E (10PR) Maximum Tire Capacity (Each)—Front (2780) Rear (2780)						
Highway Nylon						
Front	6.00	32 0	XPK	1.36	52.20	53.56
Rear	6.00	0 24	YPK	.66	39.40	40.06
Spare	6.00	-18 99	ZPK	4.43	94.30	98.73
On-Off Road Nylon						
Rear	6.00	0 32	YPL	1.80	60.40	62.20
Spare	6.00	-19 105	ZPL	4.91	109.20	114.11

‡ D&H amounts reflect provision for pass through of tire weight tax imposed on manufacturer or importer of tires.
◇ State and local taxes not included.

MOTOR HOME CHASSIS

FACTORY INSTALLED TIRES (WITH 7500-LB REAR AXLE)

Prices shown are effective with initial shipments

Description	Added Model Weight (F) (R)	Option Number	Factory D&H [§]	List Price	Mfr's Suggested Retail Price [◇]
Dealer Note: When dual rear tires are specified, the following equipment will be applied to the order as shown in the dual rear tire portion of the order form.					
<i>THIS EQUIPMENT IS NOT PRICED IN THE TIRE OPTION AND WILL REFLECT ON THE INVOICE IN THE FOLLOWING MANNER:</i>					
Includes dual rear chassis provisions and rear axle ratio as reflected on Power Team Chart					
	20 1	R05	N.C.	N.C.	N.C.

See Tire Compatibility Chart for Available Front/Rear Combinations.
Spare tire available to match either front or rear tires.
Prices shown are effective with initial shipments

Tire Size Type	Rim Width Included In Tire Option	Added Model Weight (F) (R)	Option Number	Factory D&H [§]	List Price	Mfr's Suggested Retail Price [◇]
----------------	-----------------------------------	----------------------------	---------------	--------------------------	------------	---

TUBE-TYPE TIRES USED WITH DUAL REAR WHEELS

7.50-16/C (6PR) Maximum Tire Capacity (Each)—Front (2060) Dual Rear (1815)						
Highway Nylon						
Front	5.50	32 0	XPB	.04	21.00	21.04
Rear	5.50	0 180	YPB	7.06	158.90	165.96
Spare	5.50	-18 98	ZPB	3.77	78.40	82.17
On-Off Road Nylon						
Rear	5.50	0 215	YPC	9.06	203.60	212.66
Spare	5.50	-20 108	ZPC	4.27	89.70	93.97

7.50-16/D (8PR) Maximum Tire Capacity (Each)—Front (2440) Dual Rear (2140)						
Highway Nylon						
Front	5.50	30 0	XPF	.66	30.80	31.46
Rear	5.50	0 180	YPF	8.30	175.30	183.60
Spare	5.50	-18 98	ZPF	4.08	81.50	85.58
On-Off Road Nylon						
Rear	5.50	0 216	YPG	10.22	222.40	232.62
Spare	5.50	-20 109	ZPG	4.56	93.80	98.36

7.00-18/D (8PR) Maximum Tire Capacity (Each)—Front (2590) Dual Rear (2270)						
Highway Nylon						
Front	5.00	58 0	XNM	1.28	35.70	36.96
Rear	5.00	0 236	YNM	9.50	218.50	228.00
Spare	5.00	-20 112	ZNM	4.38	99.40	103.78

WIDE BASE TUBELESS TIRES USED WITH DUAL REAR WHEELS

8.00-16.5/D (8PR) Maximum Tire Capacity (Each)—Front (2045) Dual Rear (1800)						
Highway Nylon						
Front	6.00	20 0	XSD	-0.38	17.40	17.02
Rear	6.00	0 160	YSD	6.22	190.60	196.82
Spare	6.00	-17 91	ZSD	3.56	86.60	90.16

[§] D&H amounts reflect provision for pass through of tire weight tax imposed on manufacturer or importer of tires.
[◇] State and local taxes not included.

MOTOR HOME CHASSIS

FACTORY INSTALLED TIRES (WITH 10,000-LB REAR AXLE)

Prices shown are effective with initial shipments

Description	Added Model Weight (F) (R)	Option Number	Factory D&H [§]	List Price	Mfr's Suggested Retail Price◇
Dealer Note: When dual rear tires are specified, the following equipment will be applied to the order as shown in the dual rear tire portion of the order form.					
<i>THIS EQUIPMENT IS NOT PRICED IN THE TIRE OPTION AND WILL REFLECT ON THE INVOICE IN THE FOLLOWING MANNER:</i>					
Includes dual rear chassis provisions and rear axle ratio as reflected on Power Team Chart					
	20	1	R05	N.C.	N.C.

See Tire Compatibility Chart for Available Front/Rear Combinations.
Spare tire available to match either front or rear tires.
Prices shown are effective with initial shipments

Tire Size Type	Rim Width Included In Tire Option	Added Model Weight (F) (R)	Option Number	Factory D&H [§]	List Price	Mfr's Suggested Retail Price◇
----------------	-----------------------------------	----------------------------	---------------	--------------------------	------------	-------------------------------

TUBELESS TIRES USED WITH DUAL REAR WHEELS

8-19.5/D (8PR) Truck Type. Maximum Tire Capacity (Each)—Front (2800) Dual Rear (2460)

Highway Nylon

Front						
158.5" wheelbase model only	6.75	59	0	XSF	1.82	52.20
178" wheelbase model only (standard)	6.75	0	0	XSF	N.C.	N.C.
Rear						
158.5" wheelbase model only	6.75	0	240	YSF	10.58	248.80
178" wheelbase model only (standard)	6.75	0	0	YSF	N.C.	N.C.
Spare						
158.5" wheelbase model only	6.75	-21	115	ZSF	4.66	107.60
178" wheelbase model only	6.75	-21	115	ZSF	4.66	107.60

On-Off Road Nylon

Rear						
158.5" wheelbase model only	6.75	0	288	YSE	13.66	308.40
178" wheelbase model only	6.75	0	48	YSE	3.12	59.60
Spare						
158.5" wheelbase model only	6.75	-23	128	ZSE	5.42	121.80
178" wheelbase model only	6.75	-23	128	ZSE	5.42	121.80

SPARE WHEELS

Prices shown are effective with initial shipments

Description	Added Model Weight (F) (R)	Option Number	Factory D&H [§]	List Price	Mfr's Suggested Retail Price◇
16 x 5.50. For tube-type tires.	-8	43	S76	N.C.	18.50
16 x 6.00. For tube-type tires. Not available on 178" wheelbase model or when 10,000-lb rear axle is ordered	-8	45	Q20	N.C.	18.00
18 x 5.00. For tube-type tires.	-10	56	Q31	N.C.	22.00
16.5 x 6.00. For tubeless tires. Not available on 178" wheelbase model or when 10,000-lb rear axle is ordered	-8	34	QE6	N.C.	10.50
16.5 x 6.75. For tubeless tires. Not available on 178" wheelbase model or when 10,000-lb rear axle is ordered	-7	40	QE7	N.C.	12.00
19.5 x 6.75. For tubeless tires. Available on 158.5" wheelbase model with 10,000-lb rear axle or 178" wheelbase model only.	-10	56	Q35	N.C.	30.00

§ D&H amounts reflect provision for pass through of tire weight tax imposed on manufacturer or importer of tires.
◇ State and local taxes not included.

FRONT AND REAR TIRE AVAILABILITY CHART

125", 137" OR 158.5" WHEELBASE MOTOR HOME CHASSIS

✓

FRONT		REAR			
Description	Option Number	Description		Option Number	
	Highway	Single Rear	Dual Rear	Highway	On-Off Road
WITH 7500-lb. REAR AXLES					
TUBELESS					
8.75-16.5/C	TC ♦	8.75-16.5/D	—	TE ♦	TF
8.75-16.5/D	TE	8.75-16.5/D	—	TE	TF
9.50-16.5/D	UD	9.50-16.5/D	—	UD	UE
9.50-16.5/E	UG	9.50-16.5/E	—	UG	UH
8.00-16.5/D	SD	—	8.00-16.5/D	SD	—
TUBE TYPE					
7.50-16/C	PB	—	7.50-16/C	PB	PC
		7.50-16/D	7.50-16/D	PF	PG
		7.50-16/E	—	PK	PL
7.50-16/D	PF	—	7.50-16/C	PB	PC
		7.50-16/D	7.50-16/D	PF	PG
		7.50-16/E	—	PK	PL
7.50-16/E	PK	7.50-16/E	—	PK	PL
7.00-18/D	NM	—	7.00-18/D	NM	—

✓

MODEL CP31432 WITH 10,000-LB REAR AXLE

FRONT		REAR			
Description	Option Number	Description		Option Number	
	Highway	Single Rear	Dual Rear	Highway	On-Off Road
TUBELESS 8-19.5/D	SF	—	8-19.5/D	SF	SE

♦ Base tire on this series.

✓

MODEL CP31832 178" WHEELBASE MOTOR HOME CHASSIS

FRONT		REAR			
Description	Option Number	Description		Option Number	
	Highway	Single Rear	Dual Rear	Highway	On-Off Road
TUBELESS 8-19.5/D	SF ♦	—	8-19.5/D	SF	SE

♦ Base Tire on 178" wheelbase model.

✓Indicates Change

MOTOR HOME CHASSIS

✓ EXTERIOR FEATURES—STANDARD MODELS

The Standard models include the following items as standard equipment.

Front Frame Member: Heavy channel reinforcement; painted black

Color: Chassis and components painted black

Instruments:

Gauges: Speedometer, odometer and fuel

Switches: Exterior lamps; instrument lamps; headlamp beam (foot); ignition; direction signal with lane change position; and hazard warning

Warning lamps: brake system warning, direction signals, generator, oil pressure, engine temperature and high beam

NOTE: Ignition, direction signal, and hazard warning switches are installed; all other gauges, switches and warning lamps are furnished loose in parts box

Lights: Furnished loose in parts box

Combination parking/direction/hazard: Two front Class A

Headlamps: Two; Power Beam

Instrument panel

Horn: Single; low note; electric

Hub Caps: Painted white with black and ochre trim (except CP31832)

Stabilizer: Front and rear suspension

Steering Wheel: Vinyl; 16" diameter; 2-spoke

Tilt Steering Column: Lever adjusting control (5-position)

Tools: Wheel wrench

Wheels: Painted black

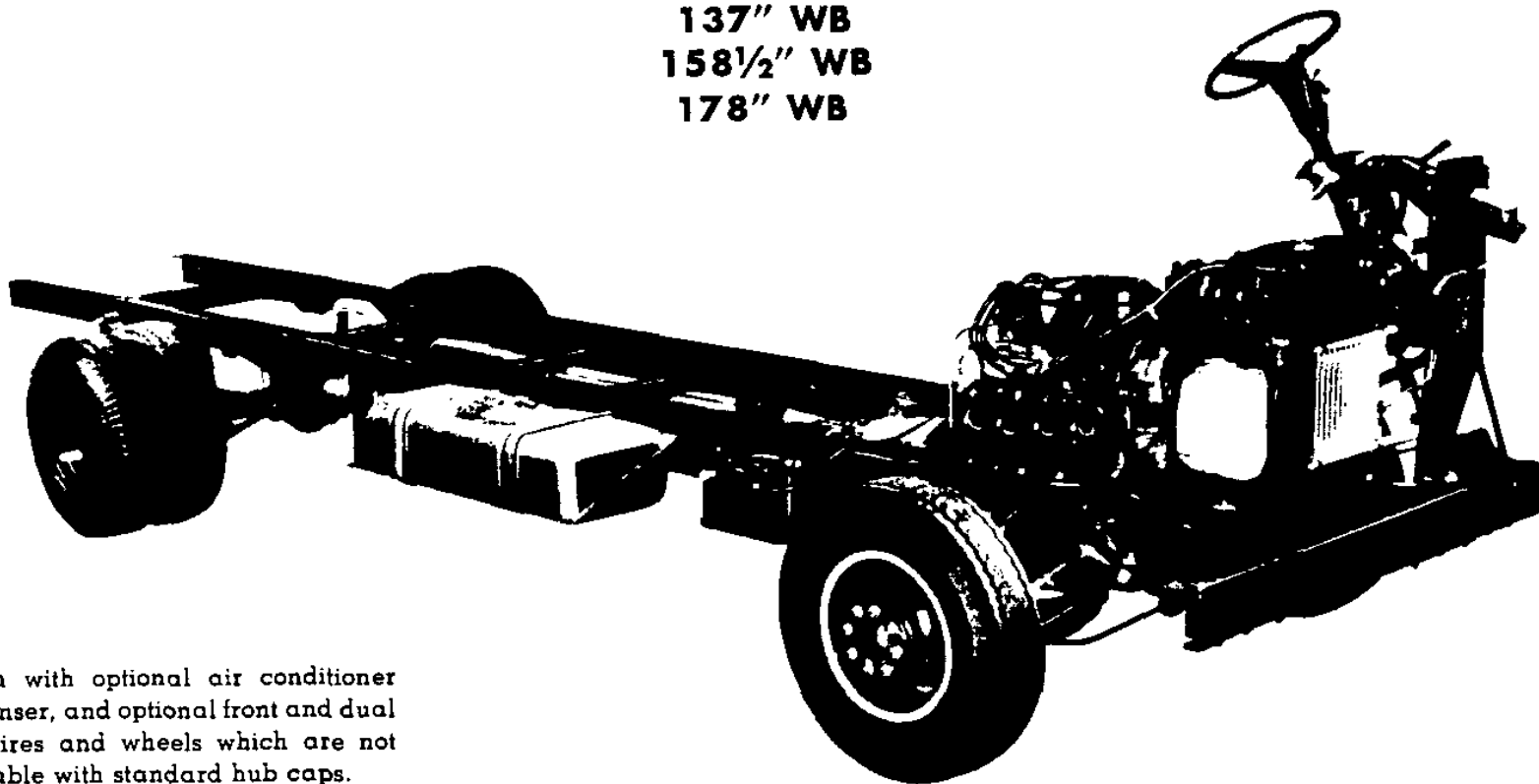
MOTOR HOME CHASSIS

125" WB

137" WB

158½" WB

178" WB



Shown with optional air conditioner condenser, and optional front and dual rear tires and wheels which are not available with standard hub caps.

Model CP31432 Illustrated