



GENERAL

MODEL IDENTIFICATION	2
SERIAL NUMBERS AND IDENTIFICATION	3
EXTERIOR EQUIPMENT	4
INTERIOR EQUIPMENT	5-6-7
EXTRA COST EQUIPMENT	8-9
WOODY OPTION RPO Z18	10
SANDPIPER APPEARANCE OPTION RPO Z79	11
CUSTOM INTERIOR OPTION RPO ZJ1	12
CUSTOM EXTERIOR OPTION RPO ZJ2	12
AIR CONDITIONING EQUIPMENT	13

MODEL IDENTIFICATION

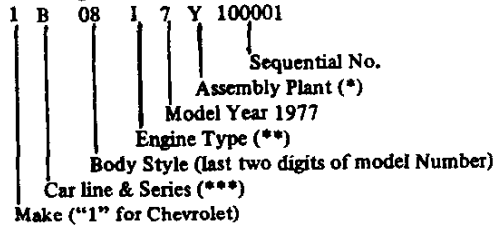
BODY	SERIES NAME	BODY STYLE	MODEL DESIGNATION	PASSENGER
T-CAR	CHEVETTE	2-Dr. Hatchback Coupe	1TB08	4
		2-Dr. Hatchback Coupe	1TJ08	4

SERIAL NUMBERS AND IDENTIFICATION

ONLY BASIC DESIGNATIONS SHOWN

VEHICLE IDENTIFICATION NUMBER

Vehicle Designation Interpretation



- C-Southgate - GMAD
- * Y-Wilmington - GMAD
- **I-L4-1.4 Litre (57 H.P.)
- E-L4-1.6 Litre (63 H.P.)
- ***T-Chevette models

EXAMPLE: The twenty-fifth Chevrolet vehicle built at Chevrolet Wilmington if it were a 1TB08 model Chevette Coupe with a 1.4 Litre (57 H.P.) engine would bear VIN Number 1B0817Y100025, Chevrolet - Southgate VIN Number 1B0816C200025.

Location Stamped on plate attached to left hand windshield pillar.

TRANSMISSION IDENTIFICATION

Example: DBR7E01D

Type Designation	Source Designation	Model Year	Production ^o Month & Date
DB	R (Muncie)	7	E01D*

DB	4-Speed	L4-1.4 Litre Engine	R - Muncie
		L4-1.6 Litre Engine	
CU	Turbo Hydra-matic	L4-1.4 Litre Engine	D - Parma
		L4-1.6 Litre Engine	Y - Toledo
CN	Turbo Hydra-matic	L4-1.4 Litre Engine	D - Parma
		L4-1.6 Litre Engine	Y - Toledo

Location:
 4-Speed Stamped on lower rear LH side of transmission below cover.
 Turbo Hydra-matic Stamped on LH side of pan.

^oMonth: E denotes May; 01 denotes 1st day.
 -Alpha Characters used in identifying the Calendar Month

- | | | | |
|--------------|-----------|---------------|--------------|
| A - January | D - April | K - July | R - October |
| B - February | E - May | M - August | S - November |
| C - March | H - June | P - September | T - December |

*-The letter "D" or "N" following the date numerals indicates day or night shift.

ENGINE IDENTIFICATION

Example: F1210CVA

Source Designation	Production* Month & Date	Type Designation
F (Flint)	1210	CVA

85 Cubic Inch L4-1.4 Litre Engine (RPO LX3)

- CVA - Regular production engine, 4-speed
- CDS - Regular Production engine, Turbo Hydra-matic.

97.6 Cubic Inch L4-1.6 Litre Engine (RPO LY5)

- CNA - Optional, 4-Speed
- CYC - Optional, Turbo Hydra-matic

Location:
 4-Cylinder engine Stamped on right hand side of cylinder block outboard of the engine plant identification.

*-Month: December, 12; 10th day of December, 10.

REAR AXLE IDENTIFICATION

- QN - 3.70 Axle
- QS - 4.11 Axle

Location, Identification Number
 Bottom left or right of axle tube adjacent to carrier housing.

See Power Train Section for additional information.

EXTERIOR EQUIPMENT

STANDARD EQUIPMENT EXTERIOR

	1TB08	1TJ08
FRONT		
Bright Windshield Reveal Molding in Weatherstrip (F)	X	
Bright "Chevrolet" Nameplate on Grille (C)	X	X
Argent and Body Color Grille (Plastic) (C)	X	
Argent Grille (Plastic) (C)		X
Parking Lamps Located in Bumper - Amber Lens (C)	X	X
Black Headlamp Bezels with Argent Border - Plastic (C)	X	
Argent Headlamp Bezels (C)		X
Dual Exposed Windshield Wipers - Dull Chrome Arms and Blades (F)	X	X
Chrome Plated Steel Bumper (C)	X	
Argent Painted Steel Bumper (C)		X
Argent Hood Lower Edge Molding (C)	X	X
SIDE		
Body Color Front and Rear Bumper Filler Panels (C)	X	
Front Marker Lamp - Amber Lens (C)	X	X
Flush Type Door Handle (F)	X	X
Bright Hub Caps (Aluminum) (C)	X	X
LH Rear View Mirror - Rectangular (C)	X	X
Rear Marker Lamp - Red Lens (F)	X	X
Fixed Rear Quarter Window (F)	X	X
Bright Roof Drip Molding Aluminum (F)	X	X
Bright Rocker Panel Molding (Aluminum) (C)	X	
Bright "Chevette" Nameplate on Fender Side (Die Casting) (C)	X	
Argent "Chevette Scooter" Nameplate on Fender Side (Decal) (C)		X
REAR		
Bright "Chevrolet" Nameplate on Hatch - Plastic (F)	X	
Argent "Chevrolet" Nameplate on Hatch - Decal (F)		X
Dual Side-Mounted License Plate Lamps (F)	X	X
Bright Hatch Window Reveal Molding in Weatherstrip (F)	X	
Single Tail Lamp Units with Tri-Color Lens and Bright Bezel (F)	X	X
Top Hinged Hatch with Fixed Window and R.H. Gas Strut (F)	X	X
Chrome Plated Steel Bumper (C)	X	
Argent Painted Steel Bumper (C)		X

NOTE: (C) = Chevrolet Items
(F) = Fisher Body Items

**STANDARD EQUIPMENT
INTERIOR**

	1TB08	1TJ08
SEATS AND FLOOR COVERING		
Full Foam, High Back Front Bucket Seats (F)	X	X@
Full Foam, Folding, Full Width Rear Seat (F)	X	X
Inertia-Type Front Seat Back Lock (F)	X	
Manual Front Seat Back Lock - Black Lever (F)		X
Folding Rear Seat Back Lock - Bright (F)	X	
Front Seat Fore-Aft Adjuster, Both Seats - Black Knob (F)	X	
Front Seat Fore-Aft Adjuster, Driver's Seat - Black Knob (F)		X
Front Seat Hinge Arm Cover - Color Keyed (F)	X	X
Front Seat and Shoulder Belt System - Single Belt with Hidden Retractor - Black (F)	X	X
Rear Seat Belt System - Conventional 2-Piece Lap Belt for Each Occupant - Black (F)	X	
Carpet Floor Covering - Nylon Cut Pile	X	X
Unpainted Aluminum Load Floor Panel with Rubber Mat (F)	X	X
Black Plastic Load Floor Extension Panel (F)		X
Black - Painted Rear Wheel Wells (F)		X
Transmission Shift Lever with Black Boot and Knob with Shift Pattern (C)	X	X
Tunnel - - Mounted Parking Brake Lever - Black Grip and Shaft (C)	X	X
Sill Plates - Bright Aluminum Inner and Black Outer (F)	X	
Bright Aluminum Inner Sill Plate (F)		X

NOTE: (C) = Chevrolet Items
 (F) - Fisher Body Items
 @ - New molded plastic design when rear seat delete option AP6 is specified.

INTERIOR EQUIPMENT

STANDARD EQUIPMENT INTERIOR

	1TB08	1TJ08
INSTRUMENT PANEL AND STEERING WHEEL (C)		
Instrument Panel Pad with "Chevrolet" Nameplate - Black	X	X
Instrument Panel Lower and Steering Column - Black	X	X
Steering Column Instrument Panel Shroud - Black	X	X
Steering Column - Mounted Smart Switch (2-Speed Wiper, Washer, Turn Signal, "Flash to Pass" Headlamp Control, and Headlamp Dimmer) - Black	X	X
Steering Column - Mounted Ignition Switch with Anti-Theft Feature and Lock Inhibitor	X	X
Steering Column - Mounted Hazard Flasher Switch - Black Knob	X	X
Two-Spoke Soft Feel Steering Wheel with Center Horn Button - Black	X	X
Steering Wheel Horn Button Insert with Chevette	X	X
Hood Release - Black Handle (Below LH Side of IP)	X	X
Instrument Cluster Carrier and Gages		
Carrier - Black with Bright Accents and Gray Applique	X	
Carrier - Black		X
Instruments (Circular)		
Speedometer-Odometer (80 MPH and 130 KM/H Max.)	X	X
Fuel Gage	X	X
Clock Cover Plate with Graphics	X	X
Warning Lamps for		
Fasten Seat Belts - Med. Red When Lighted	X	X
Brake - Parking and Loss of Hydraulic Pressure - Med. Red When Lighted	X	X
Oil Pressure - Med. Red When Lighted	X	X
Water Temperature - Med. Red When Lighted	X	X
Generator - Light Red When Lighted	X	X
Headlamp High Beam Indicator - Blue When Lighted	X	X
LH and RH Turn Signal Indicators - Green When Lighted	X	X
Three-Speed Blower Heater Control - Black Knobs	X	X
Light Switch - Black Knob with White Circle and Symbol	X	X
Radio - Black Knobs with White Circle and Symbol	O	O
Cigar Lighter - Black with White Circle and Symbol	O	O
Ash Tray with Faceplate Grip	X	X
Glove Compartment with Door	X	
Glove Compartment		X
Flow-Thru Ventilation Outlets (2) - Black Barrels	X	X
Single Horn	X	X

NOTE: (C) = Chevrolet Items
O - Optional

INTERIOR EQUIPMENT

STANDARD EQUIPMENT INTERIOR

	1TB08	1TJ08
ROOF AND PILLARS (F)		
"Premier" Vinyl Coated, Perforated Headlining	X	X
Forward - Mounted Dome Lamp with Plastic Lens	X	X
Dual Non-Hook Padded Sunshades	X	X
8-Inch Rear View Mirror - Black Housing	X	X
Black - Painted Rear View Mirror Support, Bonded to Windshield	X	X
Painted Metal Windshield, Door and Hatch Pillars	X	X
Ventilation Relief Valve with Black Grille (Located in Door Lock Pillars)	X	X
Left Door Jamb Switch - Key Reminder and Dome Lamp	X	X
Coat Hooks (2)	X	X
DOOR AND QUARTER PANEL (F)		
Molded Plastic Door Trim Panel with Armrest and Remote Door Handle Pocket	X	
Embossed Fiberboard Door Trim Panel		X
Bright Door Window Regulator Handle with Black Knob	X	
Black Door Window Regulator Handle and Knob		X
Bright Remote Door Handle	X	
Black Remote Door Handle and Escutcheon		X
Black Door Assist Grip with Bright Escutcheons		X
Bright Remote Door Lock Button	X	X
Molded Plastic Cowl Kick Pads	X	X
Molded Plastic Quarter Trim Panel	X	
Embossed Fiberboard Quarter Trim Panels		X
Embossed Fiberboard Rear End Panel Trim	X	X

NOTE: (F) = Fisher Body Items

EXTRA COST EQUIPMENT

<u>EQUIPMENT</u>	<u>RPO</u>	<u>ACC</u>
<u>MODEL OPTIONS</u>		
SANDPIPER APPEARANCE PACKAGE (See page 10 for content)	Z79	
RALLY SPORT OPTION (See page 11 for content)	ZQ3	
CUSTOM INTERIOR OPTION (See page 12 for content)	ZJ1	
CUSTOM EXTERIOR OPTION (see page 12 for content)	ZJ2	
<u>POWER TEAMS</u>		
ENGINE L4 - 1.6 Litre	LY5	
TRANSMISSION, 3-Speed Automatic	M40	
AXLE - Rear 4.11:1 Ratio	G92	
<u>FACTORY INSTALLED REGULAR PRODUCTION TIRES</u>		
P155/80 R13 Steel Belted Radial, Blackwall	QDF	
P155/80 R13 Steel Belted Radial, Whitewall	QDG	
P155/80 R13 Steel Belted Radial White Lettered	QDK	
P155/80 D13 Bias Ply Whitewall	QJF	

EXTRA COST EQUIPMENT

EQUIPMENT	RPO	ACC
Seat and Shoulder Belts - Deluxe (1TB08 only)	AK1	
Glass Tinted - All Windows	A01	
Rear Quarter Window - Swing Out	A20	
Glove Box Lock (1TB08 only)	A99	
Floor Mats - Front and Rear Color Keyed	B37	X
Carpet - Load Floor, Seat Back (1TB08 only)	B44	
Molding - Body Side With Vinyl Insert	B84	
Molding - Body Side (Adhesive back)		X
Moldings - Side Window Reveal (1TB08 only)	B90	
Guards - Door Edge	B93	X
Guards - Door Edge, Vinyl		X
Defogger Rear Window - Electric	C49	
Air Conditioning	C60	
Door Jamb Switch - RH	C80	
Rear View Mirror - Day/Night Inside	D31	X
Console - Deluxe (1TB08 only)	D55	
Mirrors Rear View - Remote Control Outside (Sport Type) LH and RH (1TB08 only)	D68	
Mirror Rear View - Remote Control Outside (Sport Type) LH only (1TB08 only)	D69	
Rear Stabilizer (1TB08 only)	GN1	
Heater - Engine Block (Canada only)	K05	
Sport Shift - Base Transmission only, Plus D55 Console Required (1TB08 only)	MC4	
Steering Wheel - Sport Type (1TB08 only)	N31	
Wheel Trim Covers (1TB08 only)	PB2	
Wheel Trim Rings	P06	X
Battery, Heavy Duty	UA1	
Gauge Package - With Tach and Temp Gauge (1TB08 only)	U14	
Clock Electric	U35	X
Cigarette Lighter	U37	
Radio AM	U63	X
Radio AM/FM	U69	X
Speaker, Auxiliary (1TB08 only)	U80	X
Bumper Impact Strips - Front and Rear	VE5	
Radiator Heavy Duty	V01	
Guards, Bumper - Front and Rear	V30	
Luggage Carrier	V55	
Lighting, Auxiliary	ZJ9	
Rear Compartment Light and Hatch Switch U25		X
Engine Compartment Light U26		X
Glove Box Light (except 1TJ08) U27		X
Instrument Panel Courtesy Lights U29		X
Alarm Theft		X
Container, Tissue/Litter - Black		X
Compass, Auto		X
Lamp, Portable Spot		X
Lighter, Cigarette		X
Mirror, Trailer - Fender, Clamp On		X
Mirror, Vanity Visor		X
Radio, CB		X
Seat, Child Safety		X
Seat, Infant Safety		X
Warmer, Car Interior		X
Hitch, Trailer		X
Antenna, Radio and CB		X
Harness, Rear Seat Shoulder		X
Heater, Engine Block		X

RPO Z79

SANDPIPER OPTION – Z79 (Not available with ZQ3)

MODEL AVAILABILITY

Chevette – Hatchback Coupe (1TB08)

EQUIPMENT (Used in addition to or in place of Standard equipment)

EXTERIOR

Sandpiper Body Side Decals
Cream-Gold and White Exterior Colors
(Cream-Gold is not a regular Chevette color)

INTERIOR

Custom Interior RPO ZJ1
Seats and Doors Trimmed with Light Yellow-Gold Vinyl and Reef (704WC)
Cloth Insert
Quarter Trim Panel and Headliner Light Yellow-Gold
Instrument Panel, Carpet, Cowl Kick Panels and Load Floor Dark Yellow-Gold
Deluxe Seat Belts (RPO AK1) are Forced-on at Extra Cost, Color Keyed
Dark Yellow-Gold

RALLY SPORT OPTION – ZQ3

MODEL AVAILABILITY

Chevette – Hatchback Coupe (1TB08)

EQUIPMENT (Used in addition to or in place of standard equipment)

EXTERIOR

Decals and Accent Trim
Sport Striping
Black Painted Rocker Panel
Black Painted Rear End Panel
‘Rally’ Decal (side and rear)
Black Rear Quarter Pinch Weld (rear of wheel opening)
Molding Treatment
Deletion of Base Rocker Panel Molding
Wheel Trim Covers

INTERIOR

Assist Grip – RH Front
Gauge Pack with Tach
* Sport Shift – 4-Speed
Sport Steering Wheel

* Deluxe Console (D55) included.

CHASSIS AND ENGINE

Engine and Exhaust – 1.6 Litre Engine
Rear Stabilizer Bar

RPO ZJ1 AND ZJ2

CUSTOM INTERIOR OPTION – ZJ1

MODEL AVAILABILITY

Chevette – Hatchback Coupe (1TB08)

EQUIPMENT (used in addition to or in place of Standard equipment)

INTERIOR

Acoustical Package – Mini (BS1)
Assist Grip – RH Front (E28)
Carpeted Seat Back and Load Floor (B44)
Cowl Kick Pad – Color Keyed
Door Jamb Switch – RH (C80)
Door Trim (Y10)

- Applied Armrest
- Carpeted Scuff Pad
- Molding Accent (BB8)

Cluster with Brushed Aluminum Applique
Instrument Panel

- Color Keying
- Bright Bead Accents
- Bright with Brushed Finish Moldings
- Glove Box Lock (A99)
- Cigarette Lighter (U37)

Interior Paint – Same as Trim Color
Rear View Mirror – Day/Night, Inside (D31)
Seat Trim – Custom (Y02, Y03)
Sport Steering Wheel (N31)

CUSTOM EXTERIOR OPTION – ZJ2

MODEL AVAILABILITY

Chevette – Hatchback Coupe (1TB08)

EQUIPMENT (used in addition to or in place of Standard equipment)

EXTERIOR

Bumper Impact Strips
Black Painted Rocker Panels
Deluxe Grille
Front and Rear Wheel Moldings
Deluxe Rocker Panel Moldings
Front Fender Moldings
Rear End Moldings
Deletion of Base Rocker Panel Moldings
Bright Hood Lower Edge Moldings
Vinyl Door Handle Inserts
Black Headlamp Bezel with Bright Border
Black Rear Quarter Weld (Rear of wheel opening)

FOUR SEASON (RPO C60)

Integral air cooling and heater system. Manually controlled by two horizontal levers on instrument control panel, plus 4-speed fan switch. Upper lever operates compressor and air selector doors; lower lever controls air temperature from instrument panel and side outlets.

BASIC COMPONENTS

Control panel, evaporator, blower, condenser, receiver-dehydrator, refrigerant (freon) tank, air intake assembly and duct assembly for both systems.

EQUIPMENT (Used in addition to or in place of base equipment)

CHASSIS

Rear Axle Ratio – Refer to Power Trains Section

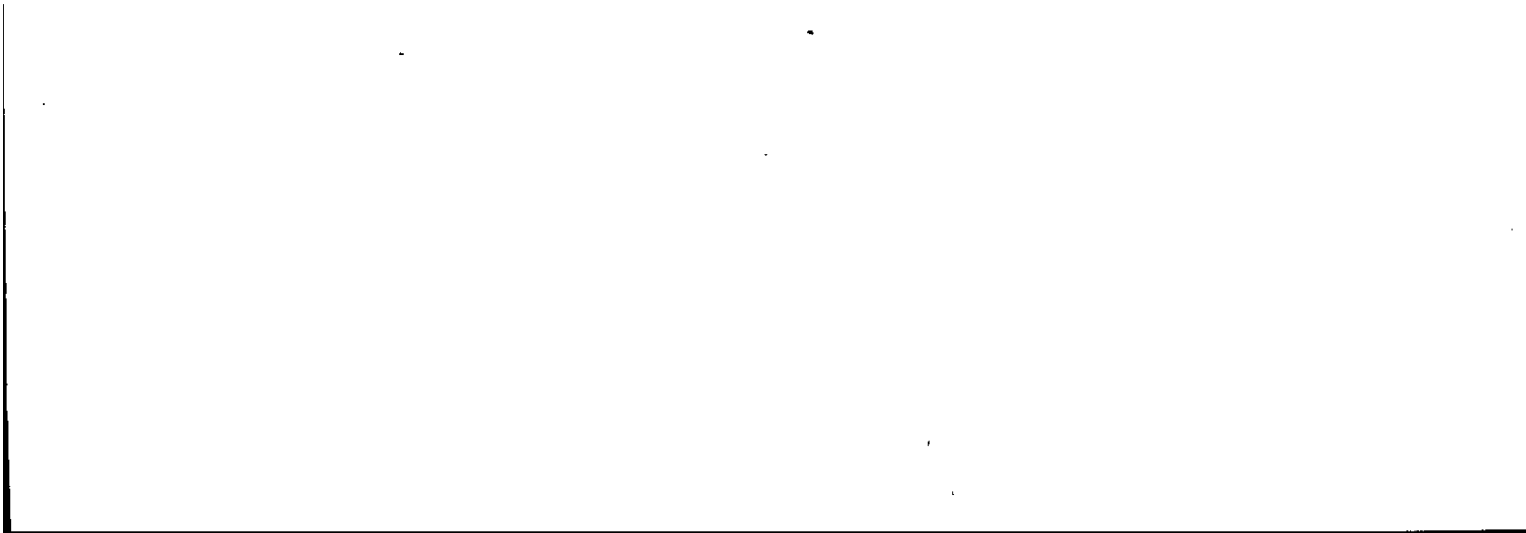
POWER TRAINS

Fan	7 Blade for A/C (steel)
Crankshaft Pulley	Single two groove pulley
Compressor & Crankshaft Belt	One
Generator	55 Ampere
Radiator	Heavier duty



1
2
3
4

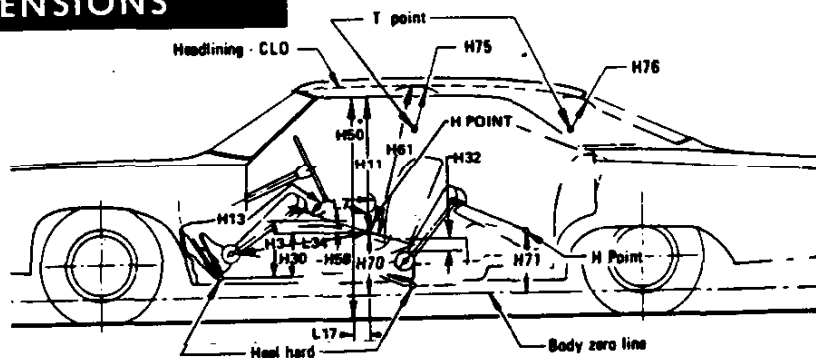
5
6
7



DIMENSIONS AND WEIGHTS

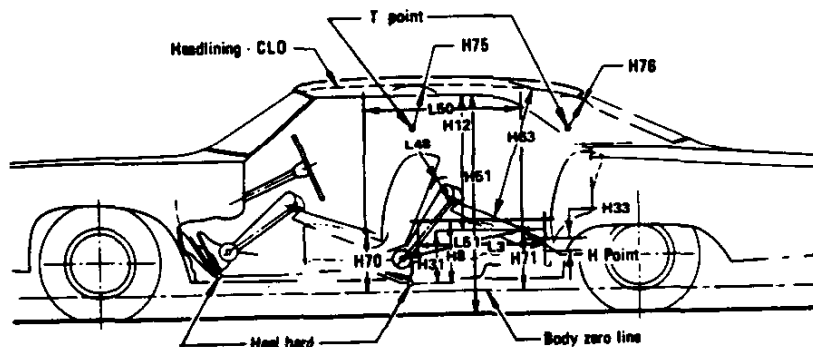
INTERIOR DIMENSIONS	2
LUGGAGE CAPACITY	3
HATCHBACK COUPE CARGO SPACE	3
EXTERIOR DIMENSIONS	4, 5
VEHICLE WEIGHTS	6
OPTIONAL EQUIPMENT WEIGHTS	6

INTERIOR DIMENSIONS



FRONT COMPARTMENT

CODE	DESCRIPTION	HATCHBACK COUPES	
		1TB08	1TJ08
H-3	Seat cushion height		302 (11.9 in.)
H11	Entrance height		778 (30.6 in.)
H13	Steering wheel thigh clearance		86 (3.4 in.)
H30	H point to heel point		258 (10.1 in.)
H32	Seat cushion deflection		85 (3.3 in.)
H50	Upper body opening to ground		1208 (47.5 in.)
H58	H point rise		22 (0.9 in.)
H61	Effective headroom		968 (38.1 in.)
H70	H point to body O line		336 (13.2 in.)
H75	Effective "T" point headroom		974 (38.3 in.)
W3	Shoulder room		1273 (50.1 in.)
W5	Hip room		1268 (49.9 in.)
L7	Steering wheel torso clearance		365 (14.3 in.)
L17	H point travel		134 (5.3 in.)
L34	Effective leg room		1055 (41.5 in.)



REAR COMPARTMENT

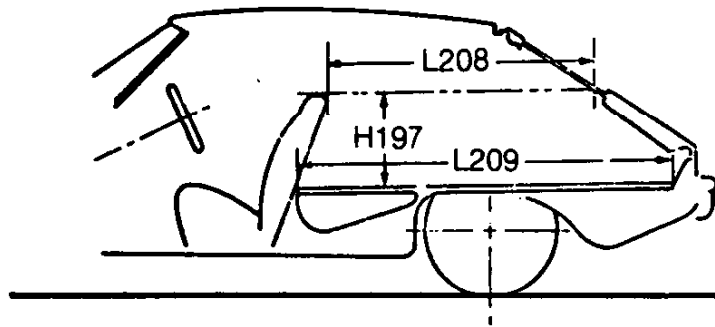
H8	Seat cushion height	316 (12.4 in.)
H12	Entrance height	---
H31	H point to heel point	276 (10.9 in.)
H33	Seat cushion deflection	120 (4.7 in.)
H51	Upper body opening to ground	---
H63	Effective headroom	947 (37.3 in.)
H71	H point to body O line	340 (13.4 in.)
H76	Effective "T" point headroom	941 (37.0 in.)
W4	Shoulder room	1253 (49.3 in.)
W6	Hip room	1240 (48.8 in.)
L3	Rear compartment room	569 (22.4 in.)
L50	H point couple distance	678 (26.7 in.)
L51	Effective leg room	715 (28.1 in.)

* Primary Dimensions are millimetres unless otherwise shown.

INTERIOR DIMENSIONS

LUGGAGE COMPARTMENT

CODE	DESCRIPTION	HATCHBACK COUPES	
		1TB08	1TJ08
H195	Liftover height	723 (28.5 in.)	
V1	Usable luggage capacity (cu.ft.)	--	

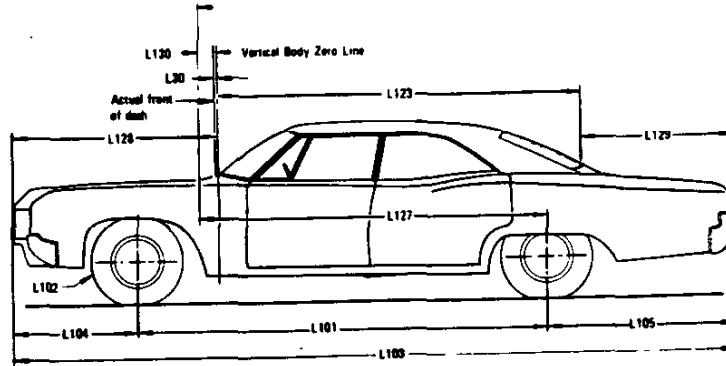


HATCHBACK CARGO SPACE

W4	Shoulder room - rear	1253 (49.3 in.)
H197	Front seat back to load floor height	488 (19.2 in.)
L208	Cargo length at - front seat back height	950 (37.4 in.)
L209	Cargo length at floor - front seat	1474 (58.0 in.)
V3	Total hatchback - cargo index volume (cu.ft.)	742 $\frac{1}{2}$ (26.2 cu.ft.)

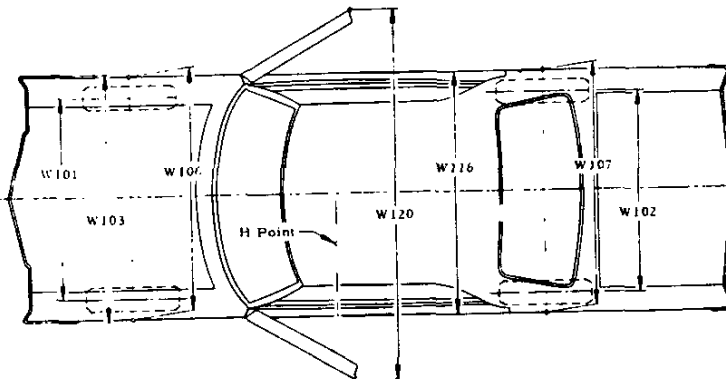
* Primary Dimensions are millimetres unless otherwise shown.

EXTERIOR DIMENSIONS



LENGTH

CODE	DESCRIPTION	HATCHBACK COUPES	
		1TB08	1TJ08
L101	Wheelbase	2394 (94.3 in.)	
L102	Tire size (standard)	P155/80D13	
L103	Overall length	4031 (158.7 in.)	
L104	Overhang, front	767 (30.2 in.)	
L105	Overhang, rear	870 (34.3 in.)	
-	Overall length - less bumpers	3785 (149.0 in.)	
L123	Body upper structure length at car center line	2450 (96.5 in.)	
L127	Body O line to C/L of rear wheels	2179 (85.8 in.)	
L128	Front end length at center line	- 215 (- 8.5 in.)	
L129	Rear end length at center line	215 (8.5 in.)	
L125	Body zero plane to windshield cowl point	305 (12.0 in.)	
L130	Body O line to actual front of dash	21 (0.8 in.)	

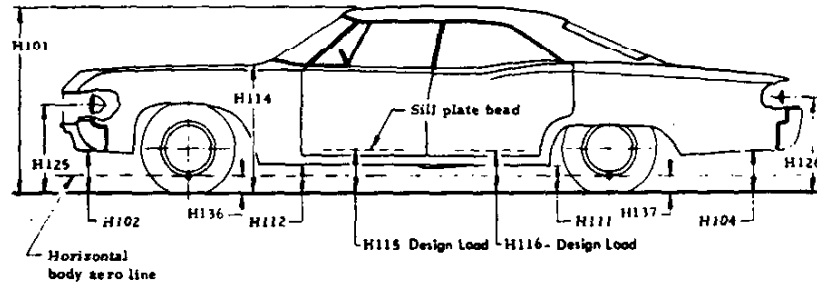


WIDTHS

W101	Tread - front	1300 (51.2 in.)
W102	Tread - rear	1300 (51.2 in.)
W103	Maximum overall width of car	1570 (61.8 in.)
W106	Front fender overall width	1548 (60.9 in.)
W107	Rear fender overall width	1570 (61.8 in.)
W116	Maximum overall width of body	1570 (61.8 in.)
W120	Overall car width, front doors open	3384 (133.2 in.)

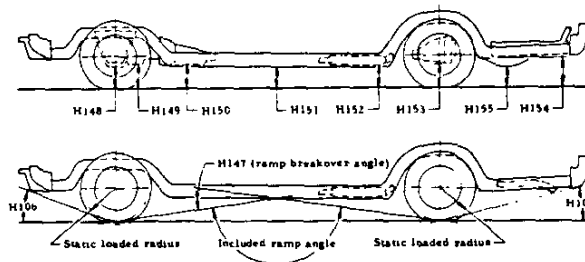
* Primary Dimensions are millimetres unless otherwise shown.

EXTERIOR DIMENSIONS



HEIGHTS

CODE	DESCRIPTION	HATCHBACK COUPES	
		1TB08	1TJ08
H101	Overall height (design)	1329 (52.3 in.)	
H102	Front bumper to ground	346 (13.6 in.)	
H104	Rear bumper to ground	335 (13.2 in.)	
H111	Rocker panel to ground - rear	168 (6.6 in.)	
H112	Rocker panel to ground - front	175 (6.9 in.)	
H114	Hood at rear to ground	884 (34.8 in.)	
H115	Step height - front (design)	312 (12.3 in.)	
H125	Headlamp to ground	625 (24.6 in.)	
H126	Tail lamp to ground	622 (24.5 in.)	
H136	Body O line to ground - front	94 (3.7 in.)	
H137	Body O line to ground - rear	85 (3.3 in.)	



CLEARANCES

H106	Angle of approach (degrees)	30.4 ^o
H107	Angle of departure (degrees)	25.9 ^o
H147	Ramp breakover angle (degrees)	20.2 ^o
H148	Front suspension to ground	142 (5.6 in.)
H149	Oil pan to ground	150 (5.9 in.)
H150	Flywheel housing to ground	164 (6.5 in.)
H151	Frame to ground	279 (11.0 in.)
H152	Exhaust system to ground	147 (5.8 in.)
H153	Rear axle to ground	150 (5.9 in.)
H154	Fuel tank to ground	201 (7.9 in.)
H156	Minimum ground clearance	135 (5.3 in.) (a)

(a) Front crossmembers, front edge.

* Primary Dimensions are millimetres unless otherwise shown.

VEHICLE WEIGHTS

MODEL SYMBOL	VEHICLE TYPE Description	SHIPPING WEIGHT			CURB WEIGHT		
		Front	Rear	Total	Front	Rear	Total
4-Cyl. 1TB08	2-Door Hatchback Coupe	500 kg (1103 lb.)	387 kg (853 lb.)	887 kg (1956 lb.)	495 kg (1092 lb.)	420 kg (925 lb.)	915 kg (2017 lb.)
1TJ08	2-Door Hatchback Coupe	486 kg (1071 lb.)	390 kg (860 lb.)	876 kg (1931 lb.)	481 kg (1060 lb.)	423 kg (932 lb.)	904 kg (1992 lb.)

SHIPPING WEIGHT: Weight of basic vehicle with regular equipment, including grease, oil and (3) gallons of gasoline, and engine coolant to capacity.

CURB WEIGHT: Shipping weight plus gasoline to capacity.

For total shipping, and curb weights of vehicles equipped with the following options, add to, or deduct from, the base vehicle weight (lbs.)

OPTIONAL EQUIPMENT

RPO	OPTION	WEIGHT KILOGRAMS/POUNDS
C60	Air Conditioning	31.75 kg (+ 70 lb.)
B37	Floor mats, front and rear	3.17 kg (+ 7 lb.)
B44	Load floor carpet	1.36 kg (+ 3 lb.)
J50	Power brakes	2.72 kg (+ 6 lb.)
MC4	Sport shifter	1.36 kg (+ 3 lb.)
PB2	Wheel trim covers	1.81 kg (+ 4 lb.)
U14	Gauge package deluxe	1.36 kg (+ 3 lb.)
U63	Radio AM push-button	1.81 kg (+ 4 lb.)
U69	Radio AM-FM push-button	2.27 kg (+ 5 lb.)
V01	Radiator heavy duty	1.36 kg (+ 3 lb.)
V30	Bumper guards	3.62 kg (+ 8 lb.)
V55	Luggage rack	4.98 kg (+11 lb.)
Z17	Rally option	3.17 kg (+ 7 lb.)
M40	Turbo Hydra-matic Transmission	19.95 kg (+44 lb.)
LY5	97.6 Cu. In. L4 (1.6 Litre) engine	- 0.45 kg (- 1 lb.)

* Primary Dimensions are kilograms.

BODY

EXTERIOR PAINT PROCESS	2
EXTERIOR-INTERIOR COLORS	3-4-5
BODY CONSTRUCTION AND GLASS AREA	6

EXTERIOR PAINT PROCESS

TO BE PROVIDED

EXTERIOR-INTERIOR COLORS

1977 "T" CAR 1TA00 "RALLY 1.6" (RPO ZQ3) EXTERIOR COLOR & STRIPE COMBINATIONS

EXTERIOR BODY COLOR		STRIPE	LETTERING
WHITE	11	DARK BLUE	WHITE (1)
SILVER MET.	13	RED-ORANGE	WHITE (1)
BLACK	19	GOLD (1)	WHITE (2)
LIGHT BLUE	21	DARK BLUE	WHITE (1)
DK. BLUE MET.	29	GOLD (1)	WHITE (2)
LIGHT LIME	32	GOLD (2)	WHITE (4)
FIRETHORN MET.	36	GOLD (2)	WHITE (4)
DARK AQUA MET.	38	GOLD (1)	WHITE (2)
BRIGHT YELLOW	51	DK. YELLOW	WHITE (3)
LIGHT BUCKSKIN	61	RED-ORANGE	WHITE (1)
BRIGHT ORANGE	64	GOLD (2)	WHITE (4)
BROWN MET.	69	GOLD (1)	WHITE (2)
RED	75	GOLD (2)	WHITE (4)
ORANGE MET.	78	GOLD (2)	WHITE (4)

STRIPE IDENTIFICATION

<u>CENTER COLOR</u>		<u>ACCENT COLOR</u>		<u>BORDER COLOR</u>	
DK. BLUE	WMH 4829	RED	WMH 4830	BLACK	WMH 848
GOLD (1)	WMH 4831	WHITE	WMH 3967	ORANGE	WMH 4832
GOLD (2)	WMH 4831	WHITE	WMH 3967	BLACK	WMH 848
DK. YELLOW	WMH 4539	WHITE	WMH 3967	ORANGE	WMH 4832
RED-ORG.	WMH 4833	WHITE	WMH 3967	BLACK	WMH 848

LETTERING IDENTIFICATION

<u>CENTER COLOR</u>		<u>ACCENT COLOR</u>		<u>BORDER COLOR</u>	
WHITE (1)	WMH 3967	RED	WMH 4830	BLACK	WMH 848
WHITE (2)	WMH 3967	GOLD	WMH 4831	ORANGE	WMH 4832
WHITE (3)	WMH 3967	DK. YELLOW	WMH 4539	ORANGE	WMH 4832
WHITE (4)	WMH 3967	GOLD	WMH 4831	BLACK	WMH 848

EXTERIOR-INTERIOR COLORS

1977 CHEVETTE INTERIOR-EXTERIOR COLOR COMBINATIONS

MODEL	Seat Type	INTERIOR TRIM						
		Black*	Light Blue		Lt. Buckskin		Dark Firethorn	
		Vinyl	Vinyl	Cloth	Vinyl	Cloth	Vinyl	Cloth
Base - 1TJ00 Hatchback (08)	(A51) Bucket	19V	-	-	62V @	62B @	-	-
Standard - 1TB00 Hatchback (08)	(A51) Bucket	\$ 19R/18R	24R	-	64R	64E	71R	71E
Custom Interior RPO ZJ1 (1TB08)	(A51) Bucket	19N	24N	24C	64N	64C	71N	71C
EXTERIOR COLOR	Color Code	Black	Light Blue		Lt. Buckskin		Dark Firethorn	
White	11	R	R		R		R	
Silver Metallic	13	R	-		-		R	
Black	19	R	A		R		R	
Light Blue	21	R	A		-		-	
Dark Blue Metallic	29	A	R		-		-	
Light Lime	32	R	-		-		-	
Firethorn Metallic	36	A	-		R		R	
Dark Aqua Metallic	38	A	-		A		-	
Bright Yellow	51	R	-		-		-	
Light Buckskin	61	R	-		R		R	
Bright Orange	64	R	-		R		-	
Brown Metallic	69	-	-		R		-	
Light Red	75	A	-		R		R	
Orange Metallic	78	R	-		R		-	

R - Recommended
A - Acceptable

Override RPO ZP2 will be provided to permit ordering of any interior-exterior color combination.

CLOTH AND VINYL USAGE

V & R - Plisse vinyl
B & E - Remington, 721 WC, woven cloth
N - Rattan vinyl
C - Winfield 614 WC, woven cloth; Winfield facings
D - Reef, 704 WC woven cloth
G - Royan, 817 WC, denim cloth

EXTERIOR-INTERIOR COLORS

1977 CHEVETTE INTERIOR-EXTERIOR COLOR COMBINATIONS

MODEL	Seat Type	INTERIOR TRIM					
		White				Yellow-Gold	Light Blue
		†	†	†	†	††	+
		Vinyl /Black	Vinyl /Dark Aqua	Vinyl /Dark Firethorn	Vinyl /Dark Saddle	Vinyl With Cloth Insert	Vinyl With Cloth Insert
Base - 1TJ00 Hatchback (08)	(A51) Bucket	-	-	-	-	-	-
Standard - 1TB00 Hatchback (08)	(A51) Bucket	-	-	-	-	-	-
Custom Interior RPO ZJ-1 (1TB08)	(A51) Bucket	11N	03N	07N	06N	54D	24G
EXTERIOR COLOR	Color Code	White/Black	White/Dk. Aqua	White/Dk. Firethorn	White/Dk. Saddle	Yellow Gold	White/Dk. Blue
White	11	R	R	R	R	R	R
Silver Metallic	13	R	-	-	-	-	-
Black	19	R	R	R	R	R	R
Light Blue	21	R	-	-	-	-	A
Dark Blue Metallic	29	A	-	-	-	-	R
Light Lime	32	R	-	-	-	-	-
Firethorn Metallic	36	A	-	R	-	-	-
Dark Aqua Metallic	38	R	R	-	-	-	-
Bright Yellow	51	R	-	-	-	R	-
Light Buckskin	61	A	-	-	R	-	-
Bright Orange	64	R	-	-	-	-	-
Brown Metallic	69	A	-	-	R	-	-
Light Red	75	A	-	R	-	-	-
Orange Metallic	78	R	-	-	-	-	-

R - Recommended
A - Acceptable

Override RPO ZP2 will be provided to permit ordering of any interior-exterior color combination.

CLOTH AND VINYL USAGE

V & R-Plisse vinyl
B & E-Remington, 721 WC, woven cloth
N-Rattan vinyl
C-Winfield 614 WC, woven cloth; Winfield facings
D-Reef, 704 WC woven cloth
G-Royan, 817 WC, denim cloth

NOTES: 11N † - White vinyl interior with Black Instrument Panel upper and lower, Carpet, Cowl Kick Panel, and Load Floor.
03N † - White vinyl interior with Dark Aqua Instrument Panel upper and lower, Cowl Kick Panel, and Load Floor.
07N † - White vinyl interior with Dark Firethorn Instrument Panel upper and lower, Carpet, Cowl Kick Panel, and Load Floor.
06N † - White vinyl interior with Dark Saddle Instrument Panel upper and lower, Carpet, Cowl Kick Panel, and Load Floor.

*-Carpet Selection. Firethorn Accent Carpet is available with all Black interiors except 1TJ08.

To select Accent Carpet, specify RPO number plus 71F.

\$-18R includes a White headlining, sunshades, associated moldings, and assist handle on passenger side when specified. Restricted to the following exterior colors: White, Light Buckskin, Bright Yellow, Light Blue, and Light Lime. 19R restricted to the remaining exterior colors. No. ZP2 override is authorized.

@-62 - Light Buckskin interior with Black Instrument Panel upper and lower, Carpet, Cowl Kick Panel, and Load Floor.

††-Sandpiper Interior - Consists of standard design seats in Light Yellow-Gold vinyl with Reef (704 WC) cloth insert, vinyl doors with Royan cloth insert, Light Blue quarters and headliner and Dark Blue Instrument Panel, Carpet, Cowl Kick Panels, and Load floor.

BODY CONSTRUCTION AND GLASS AREA

GENERAL

Construction Body-frame integral, using large individual body panels welded together forming complete sub-assemblies. All major sub-assemblies are double panel construction except underbody and rear end panel. The full roof panel subassembly is formed to provide front and rear headers and side rails. Exterior front end sheet metal panels are removable with bolt on fenders. Main front end structure is welded to body proper and forms the base for attachment of engine, front suspension, steering and front end sheet metal.

DOORS

Type Double panel construction, hinged at front. Side guard beams. Standard spring loaded hold-open feature with two position detent. Welded-on strap type hinges.
 Handles Flush lift bars
 Glass Full, curved ventless

HOOD AND HATCH DOOR

Type Double panel construction, rear hinged, pop-up springs over-center, prop rod holds hood open for engine compartment access, on hatch door dual telescoping gas springs.
 Release Internal, lever located under instrument panel, left of steering column.

VENTILATION

High level Air Intake for Passenger
 Compartment Double wall plenum chamber
 Powered System Positive, low blower speed activated thru ignition switch.

SEATS

Type Bucket seats, full foam molded construction with integral head restraints. Folding rear seat standard equipment.

WINDSHIELD WIPERS AND WASHERS

Type Dual 2-speed electric with 16" blades
 Linkage Parallel acting
 Washer System Electric, dual spray

HEADLIGHTS

Type 7" Power Beam single headlamps

SPARE TIRE MOUNT

Location Under floor of luggage compartment
 Tools Bumper jack with combination lever handle and wheel nut wrench.

BODY GLASS VISIBILITY AREA

MODELS	
1TB08-1TJ08	
Windshield	1077.5 (0.695 m ²)
Front Door	882.8 (0.5695m ²)
Rear Quarter	741.0 (0.4781m ²)
Rear Window	840.4 (.5422m ²)
Total Area (Sq.In.)	3541.7 (2.2848m ²)

Type, Windshield Curved thin laminated plate
 Front Door Curved tempered safety plate
 Rear Quarter Widows Tempered Curved stationary (swing out optional)
 Rear hatch Tempered curved stationary

* Metric primary, English secondary.

CHASSIS

FRAME AND FRONT SUSPENSION	2
STEERING, DRIVELINE, WHEELS AND TIRES	3
REAR AXLE AND SUSPENSION	4
BRAKES	5
BULBS AND LAMPS	6
FUSES AND CIRCUIT BREAKERS	7

FRAME AND FRONT SUSPENSION

FRAME

Description Unitized frame with crossmember reinforcement

FRONT SUSPENSION

Description Independent, SLA type, coil springs with outboard mounted shock absorbers, spherical joint steering knuckle.

Wheel Travel (design)
 Total 179.1 mm (7.05 in.)
 Jounce 87.7 mm (3.45 in.)
 Rebound 91.4 mm (3.60 in.)
 Wheel to spring travel ratio 1.74

CONTROL ARMS

Description Reinforced steel stamping with pre-loaded steel encased rubber bushings at pivot.

STEERING KNUCKLES

Description Forged steel with integral spindle, integral brake caliper mounting pads and integral steering knuckle arm.

Spindle Diameters
 Inner bearing 26.9 mm (1.06 in.)
 Outer bearing 17.5 mm (0.69 in.)

Spindle Thread Size

Wheel Bearings
 Type, inner & outer Taper roller

SPHERICAL JOINTS

Type Ball stud
 Upper Compression
 Lower Tension
 Bearing Surfaces
 Upper & Lower Sintered iron

SHOCK ABSORBERS

Type Direct, double acting, hydraulic
 Piston Diameter 1.0 in. (25.4 mm)

FRONT WHEEL ALIGNMENT (Design)

Caster (degrees) $P4^{\circ} 30^{\prime} \pm 1^{\circ}$
 Camber (degrees) $P0^{\circ} 15^{\prime} \pm 0^{\circ} 45^{\prime}$
 Toe-In (total) $.06 + .08$ in. (1.5 ± 2.0 mm)
 Steering axis inclination 7.55° @ 30° camber

STABILIZER BAR

Type Link
 Material HR steel
 Diameter 22.1 mm (0.87 in.)
 Bushing Material Rubber

GENERAL SUSPENSION PROVISIONS

Anti-dive control Angle of front upper control arm

FRONT SPRINGS

Selected from a family of coil springs by Electronic Data Processing which identifies the correct springs for the weight of the vehicle including optional equipment ordered by the customer.

FRONT SPRING SPECIFICATIONS

Part Number	Assy. Code	Cut-Off Length		Wire Dia.		Total Coils	Deflection Rate		HEIGHTS			
		mm	in.	mm	in.		N/mm	lbs./in.	Free		Working	
									mm	in.	mm @ N	in. @ lbs.
362191	ATB	2633.9	103.7	11.33	.446	8.62	22.7	130	355.5	14.0	209.3 @ 3314	8.24 @ 745
362192	ATC	2652.6	104.4	11.68	.460	8.65	25.2	143	351.3	13.83	209.3 @ 3581	8.24 @ 805
362193	ATD	2690.8	105.9	12.06	.475	8.74	28.0	160	347.6	13.68	209.3 @ 3870	8.24 @ 870
362194	ATF	2612.5	102.8	12.62	.497	8.44	34.4	196	330.7	13.02	209.3 @ 4181	8.24 @ 940
362195	ATH	2540.0	100.0	13.23	.521	8.16	32.6	243	315.3	12.41	209.3 @ 4515	8.24 @ 1015
362196	ATJ	2428.9	95.6	14.05	.553	7.74	56.6	323	295.4	11.63	209.3 @ 4871	8.24 @ 1095
370933	ANA	2265.9	89.2	15.42	.607	7.13	87.6	500	269.2	10.60	209.3 @ 5249	8.24 @ 1180

STEERING, DRIVELINE, WHEELS AND TIRES

STEERING

Wheel	
Type	Round with angled shroud
Diameter	381.0 mm (15.0 in.)
Column	Energy absorbing – mast jacket, tube and steering shaft designed to collapse under various front impact conditions.
Gear Type	Rack and pinion
Ratios, Gear	19.0:1
Ratios, Overall	18.4:1
Number of wheel turns, lock to lock	3.6
Linkage	Parallelogram type, ahead of front wheels
Turning Diameters	
Outside front, wall to wall	10.5 m (34.34 ft.)
Outside front, curb to curb	9.2 m (30.16 ft.)
Inside rear, wall to wall	5.0 m (16.51 ft.)
Inside rear, curb to curb	4.8 m (15.88 ft.)

DRIVELINE

Propeller Shaft	Straight tube attached by universal joints to a solid steel pinion extension. A torque tube that houses the extension shaft is bolted to the differential housing.
Diameter (O.D.)	
Tube	50.8 mm (2.0 in.)
Shaft	23.0 mm (0.905 in.)
Wall Thickness	1.40 mm (0.055 in.)
Length (C/L of U joints)	
Tube	
4-Spd. Man.	731.5 mm (28.80 in.)
Auto. Trans.	550 mm (21.7 in.)
Shaft	573.8 mm (22.6 in.)
Universal Joints	
Type	Cross
Number Used	Two
Bearings	Prepacked, anti-friction

WHEELS

Type	Short spoke spider
Rim Size	330 x 127 mm (13 x 5 in.)
Offset	37.0 mm (1.46 in.)
Attachment to Hub	
Type	4 hex nuts
Size	M12 x 1.5
Bolt circle diameter	100 mm (3.94 in.)

TIRES, STANDARD EQUIPMENT

P155/80D13 – Bias Belted	
Static loaded radius	
Millimetres	296.4
Inches	10.67
Loaded rev/km @ 72 kmh	569
Loaded rev/mi @ 45 mph	916
Capacity @ 165.48 kPa	
Front	356 kg
Rear	371 kg
Capacity @ 24 PSI	
Front	786 lbs.
Rear	819 lbs.

TIRES, OPTIONAL EQUIPMENT

P155/80R13 Steel Belted Radial	
Static loaded radius	
Millimetres	260.35
Inches	10.25
Loaded rev/km @ 72 kmh	569
Loaded rev/mi @ 45 mph	916
Capacity	Same as standard

REAR AXLE AND SUSPENSION

REAR AXLE

Description Three-piece housing includes integral cast iron differential carrier and housing with two pressed-in and welded steel tubes. Semi-floating axle shafts. Differential carrier contains hypoid overhung pinion and ring gear. Drive pinion supported by two taper roller bearings.

Drive Pinion Vertical Offset 28.4 mm (1.12 in.)

Drive Pinion Bearing Adjustment Shim

Lubricant

Type Military spec. MIL-L-2105B

Viscosity SAE-80-90

Capacity 0.8 litres (1.75 pints)

AXLE SHAFT

Description Forged and hardened steel with integral drive flange

Wheel Bearings Single row cylindrical roller

Oil Seal Steel encased, spring loaded synthetic rubber

RING AND PINION GEAR TOOTH COMBINATIONS

Ring Gear Diameter – 165 mm (6.50 in.)

Axle Ratio

3.70 37, 10

4.11 37, 9

REAR SUSPENSION

Description Salisbury rear axle with coil springs; parallel lower control arms, torque tube and track bar.

Wheel Travel (Design)

Total 222 mm (8.74 in.)

Jounce 99.5 mm (3.92 in.)

Rebound 122.5 mm (4.82 in.)

Wheel to spring, travel ratio 1.205:1

SHOCK ABSORBERS

Type Direct, double acting hydraulic

Piston diameter 25.4 mm (1.0 in.)

REAR SPRINGS

Selected from a family of coil springs by Electronic Data Processing which identifies the correct springs for the weight of the vehicle including optional equipment ordered by the customer.

REAR SPRING SPECIFICATIONS

Part Number	Assy. Code	Cut-Off Length		Wire Dia.		Total Coils	Deflection Rate		HEIGHTS			
									Free		Working	
		mm	in.	mm	in.		N/mm	lb./in.	mm	in.	mm @ N	lbs. @ in.
354159	NAM	2301.9	90.6	13.19	.519	8.59	26.2	150	317.1	12.48	233.7 @ 1655	9.20 @ 372
354183	NAL								328.1	12.92	233.7 @ 1875	9.20 @ 421
354188	NAN								339.1	13.35	233.7 @ 2095	9.20 @ 471
370934	NCR								350.1	13.78	233.7 @ 2315	9.20 @ 520

BRAKES

GENERAL	Type	Front - Disc; Rear - Drum		
		Manual - Standard	Power - Optional	
	System	Dual circuit hydraulic system with warning light and self-adjusting features		
Front Brakes	Type	Disc - single piston floating caliper		
	Material	Cast iron - solid, integral with hub		
	Diameter and Width - Disc	245.87 x 12.7 mm (9.68 x 0.50 in.)		
	Lining Material	Molded asbestos		
	Method of attachment	Integral bonding		
	Lining size (length x width x thickness)	Inboard	114.0 x 34.0 x 9.40 mm (4.49 x 1.34 x .370 in.)	
		Outboard	114.0 x 34.0 x 9.40 mm (4.49 x 1.34 x .370 in.)	
	Lining area	0.020 sq. m (31.30 sq. in.)		
	Effective area	0.020 sq. m (31.30 sq. in.)		
	Swept area	0.095 sq. m (192.0 sq. in.)		
Piston diameter	47.62 mm (1.875 in.)			
Rear Brakes	Type	Drum - composite web cast into rim		
	Material	Web - HR steel; Rim - Cast alloy iron		
	Diameter and Width - Drum	200.15 x 44.4 mm (7.88 x 1.75 in.)		
	Lining material	Molded asbestos		
	Method of attachment	Primary - riveted; Secondary - bonded		
	Lining size (length x width x thickness)	Primary	190.0 x 44.5 x 6.40 mm (7.48 x 1.75 x 0.252 in.)	
		Secondary	190.0 x 44.5 x 6.40 mm (7.48 x 1.75 x 0.252 in.)	
	Lining area	0.032 sq. m (50.36 sq. in.)		
	Effective area	0.033 sq. m (51.46 sq. in.)		
	Swept area	0.057 sq. m (87.70 sq. in.)		
Piston diameter	19.05 mm (0.75 in.)			
Apply System	Master cylinder diameter	19.05 mm (0.75 in.)		
	Piston travel	31.09 mm (1.224 in.)		
	Pedal travel	194.3 mm (7.65 in.)	169.9 mm (6.69 in.)	
	Pedal ratio	5.8:1	4.75:1	
	Line pressure @ 100 lb. pedal load	1270		
Parking Brake	Type	Mechanical pull rods and cables operate rear service brakes. 'ON' warning lamp provided.		
	Control	Lever, floor mounted in center console		
	Total effective area	0.033 sq. m (51.46 sq. in.)		

BULBS AND LAMPS

BULBS AND LAMPS	NUMBER REQUIRED AND TRADE NUMBER	CANDLE POWER PER LAMP
Automatic transmission quadrant	1-194	2
Back-up	2-1156	32
Brake warning, Parking	1-194	2
Courtesy lamp	2-631	6
Directional signal indicators	2-194	2
Direction signal lamp	2-1156	32
Dome	1-561	12
Dome and reading lamp	1-561	12
Engine warning	1-194	2
Generator indicator	1-194	2
Glove Box	1-1891	2
Headlamp	2-6012	High beam 60W
		Low beam 50W
Headlamp hi-beam indicator	1-194	2
Heater or A/C control	1-194	2
Instrument cluster	6-194	2
License plate, rear	2-194	2
Oil pressure indicator	1-194	2
Parking		
Park	2-1157	3
Turn		32
Radio - RPO U69	1-1893	2
RPO U63	2-37	5
Seat belt warning	1-194	2
Side marker - front	2-194	2
Side marker - rear	2-194	2
Tail		
Tail	2-1157	3
Stop and turn		32
Underhood Lamp	1-93	15
W/S Washer & Light Switch Indicator	1-194	2

FUSES AND CIRCUIT BREAKERS

CIRCUIT	TYPE OF PROTECTION	LOCATION AND CIRCUIT *
Air Conditioning	30 amp fuse	In line
	25 amp fuse	Fuse panel (h)
Automatic trans. indicator	4 amp fuse	Fuse panel (f)
Back-up lamps	20 amp fuse	Fuse panel (b)
Brake warning lamp	10 amp fuse	Fuse panel (c)
Cigarette lighter	20 amp fuse	Fuse panel (e)
Clock	20 amp fuse	Fuse panel (c)
Courtesy lamp	20 amp fuse	Fuse panel (e)
Direction signal indicator lamps	20 amp fuse	Fuse panel (b)
Dome lamp	20 amp fuse	Fuse panel (e)
Dome and reading lamp	20 amp fuse	Fuse panel (e)
Fuel economy light	10 amp fuse	Fuse panel (c)
Fuel gauge	10 amp fuse	Fuse panel (c)
Generator indicator lamp	10 amp fuse	Fuse panel (c)
Glove box	20 amp fuse	Fuse panel (c)
Headlamp buzzer	10 amp fuse	Fuse panel (c)
Headlamps	Circuit breaker	Light switch
Headlamp hi-beam indicator lamp	Circuit breaker	Light switch
Heater control lamp	4 amp fuse	Fuse panel (f)
Heater	25 amp fuse	Fuse panel (h)
Idle stop solenoid	10 amp fuse	Fuse panel (g)
Instrument cluster lamps	4 amp fuse	Fuse panel (f)
Key warning buzzer	20 amp fuse	Fuse panel (e)
License plate lamp	20 amp fuse	Fuse panel (d)
Light minder buzzer	20 amp fuse	Fuse panel (e)
Oil pressure indicator lamp	10 amp fuse	Fuse panel (c)
Park and turn lamp	20 amp fuse	Fuse panel (d)
Radio	10 amp fuse	Fuse panel (g)
Radio lamp	4 amp fuse	Fuse panel (f)
Seat belt warning lamp	10 amp fuse	Fuse panel (c)
Seat belt warning buzzer	10 amp fuse	Fuse panel (c)
Side marker lamps	20 amp fuse	Fuse panel (d)
Stop and turn lamp	20 amp fuse	Fuse panel (a)
Tail, turn lamps	20 amp fuse	Fuse panel (d)
Temperature gauge	10 amp fuse	Fuse panel (c)
Temperature indicator lamp	10 amp fuse	Fuse panel (c)
Traffic hazard indicator	20 amp fuse	Fuse panel (a)
Vacuum advance solenoid	10 amp fuse	Fuse panel (g)
Windshield wiper	25 amp fuse	Fuse panel
Windshield wiper light	4 amp fuse	Fuse panel (f)

* Letter suffix indicates same circuit

1000

POWER TRAINS

POWER TEAM COMBINATIONS	2
POWER TEAM MULTIPLICATION FACTORS	2
ENGINE DATA AND RATINGS	3
ENGINE SPEED AND PISTON TRAVEL	3
VEHICLE PERFORMANCE FACTORS	4
PRINCIPAL COMPONENTS	5
FUEL SYSTEM	10
EXHAUST SYSTEM	10
EMISSION CONTROL EQUIPMENT	11
LUBRICATION SYSTEM	12
COOLING SYSTEM	12
ELECTRICAL SYSTEM	13
CLUTCHES	14
MANUAL TRANSMISSIONS	14
TURBO HYDRA-MATIC TRANSMISSION	15

POWER TEAM COMBINATIONS

ENGINE	TRANSMISSION	MODEL APPLICATION	AXLE RATIOS		RING GEAR	
			BELOW 4000 FEET			ABOVE 4000 FEET
			BASE	OPTIONAL		
1.4 Litre L4 (85 Cu. In.) LX3 Base - All States exc. Calif.	4-Speed (3.75:1 low)	All Models	3.70:1 †	4.11:1	—	
	Turbo Hydra-matic †		4.11:1	—		
1.6 Litre L4 (97.6 Cu. In.) LY5 Optional - All States (a)	4-Speed (3.75:1 low)	All Models	3.70:1	4.11:1	4.11:1	
	Turbo Hydra-matic		3.70:1	4.11:1	4.11:1	

† - Air Conditioning not available.

(a) Standard California

MULTIPLICATION FACTORS

WITH MANUAL TRANSMISSION

ENGINE	CARBURETION	TRANSMISSION	TOTAL GEAR REDUCTION					AXLE RATIO
			1st	2nd	3rd	4th	Rev.	
1.4 & 1.6 Litre (85 & 97.6 Cu. In.)	1-Barrel	4-Speed	13.87	7.99	5.11	3.70	14.13	3.70

WITH AUTOMATIC TRANSMISSION

ENGINE	TRANSMISSION	SELECTOR POSITION	TOTAL TORQUE MULTIPLICATION	AXLE RATIO
1.4 Litre 85 Cu. In.	Turbo Hydra-matic	Drive	26.47:1 - 4.11:1	4.11:1
		Low	26.47:1 - 11.26:1	
		Second	26.47:1 - 6.45:1	
		Reverse	19.98:1 - 8.51:1	
1.6 Litre (97.6 Cu. In.)	Turbo Hydra-matic	Drive	23.83:1 - 3.70:1	3.70:1
		Low	23.83:1 - 10.14:1	
		Second	23.83:1 - 5.81:1	
		Reverse	17.98:1 - 7.66:1	

ENGINE DATA AND RATINGS

GENERAL DATA

Engine Type		L4-In-Line OHC	
Piston Displacement	Litres	1.4	1.6
	Cubic Inch	85	97.6
Availability		Base - LX3	Optional - LY5
Number of Cylinders		Four	
Bore and Stroke	Millimetres	82.0 x 66.2	82.0 x 75.7
	Inches	3.228 x 2.606	3.228 x 2.90
Compression Ratio		8.5:1	
Taxable (SAE)	Kilowatts	12.5	
	Horsepower	16.7	
Firing Order		1-3-4-2	
Idling Speed	Manual (In Neutral)	800 RPM (1000 RPM in California)	
	Automatic (In Drive)	800 RPM (1000 RPM in California)	
Compression Press. @		1000	
Cranking Speed, Engine Hot	Kilopascals	145	
	Pounds/Square Inch	145	
Power Plant Mounting		Two front and one rear	
Measurements*	Length	590.86 millimetres - 23.26 inches	
	Height	659.74 millimetres - 25.97 inches	
	Width	448.50 millimetres - 17.66 inches	

* Length - Fan to rear of engine block.

ADVERTISED ENGINE RATING

Engine		Base - LX3	Optional - LY5
Net Brake @ RPM	Kilowatts	42 @ 5200	47 @ 4800
	Horsepower	57 @ 5200	63 @ 4800
Net Torque @ RPM	Newton/metre	96 @ 3600	111 @ 3200
	Pound/Foot	71 @ 3600	82 @ 3200

ENGINE SPEED AND PISTON TRAVEL

Engine		1.4 & 1.6 Litre	1.4 Litre	1.6 Litre	
Transmission		4-Speed	Turbo Hydra-matic		
Rear Axle Ratio		3.70	4.11:1	3.70:1	
Tire Size		P155/80D13			
Crankshaft Revolutions per	Kilometre	2116.4	2350.9	2116.4	
	Mile	3404.0	3781.2	3404.0	
Crankshaft RPM @ Mile per hour and 1 Kilometre per hour	Low	km/h	82.2	66.7	
		m/h	212.7	172.7	
	Second	km/h	47.3	38.2	
		m/h	122.5	98.9	
	Third	km/h	30.2	24.3	
		m/h	78.3	63.0	
	Fourth	km/h	21.9	—	
		m/h	56.7	—	
	Reverse	km/h	96.6	50.4	
		m/h	216.7	130.4	
	Piston Travel	Millimetre/Kilometre	919.3	1021.2	919.3
		Feet/Mile	1478.5	1642.3	1478.5

VEHICLE PERFORMANCE FACTORS

ENGINE	1.4 LITRES 85 CU. IN. 42 KW 57 HP		1.6 LITRES 97.6 CU. IN. 53 KW 71 HP
MODEL	1TJ08	1TB08	1TB08

4-SPEED TRANSMISSION

Performance	Mass – kilograms	1176	1187	1187
	Weight – pounds	2592	2617	2616
	Kilograms per net kilowatt	28.00	28.26	22.40
	Pounds per net horsepower	45.47	45.91	36.84
	Kilograms per litre displacement	840.00	847.86	741.87
	Pounds per cubic inch displacement	30.49	30.79	26.80
	Net kW per litre displacement	30.00	30.00	33.12
	Net HP per cubic inch displacement	.670	.670	.727
Power	litre/kilometre	52.35	52.35	52.35
Displacement	Cubic foot/mile	83.72	83.72	83.72
Displacement	litre/tonne kilometre	40.39	40.01	40.02
Factor	Cubic foot/ton mile	64.60	63.98	73.49

TURBO HYDRA-MATIC

Performance	Mass – kilograms	1196	1207	1207
	Weight – pounds	2636	2661	2660
	Kilograms per net kilowatt	28.48	28.74	22.77
	Pounds per net horsepower	46.24	46.68	37.46
	Kilograms per litre displacement	854.28	862.14	754.37
	Pounds per cubic inch displacement	31.01	31.30	27.25
	Net kW per litre displacement	30.00	30.00	33.12
	Net HP per cubic inch displacement	.670	.670	.727
Power	litre/kilometre	58.14	58.14	52.35
Displacement	cubic foot/mile	93.00	93.00	83.72
Displacement	litre/tonne kilometre	44.11	43.70	39.36
Factor	cubic foot/ton mile	70.56	69.90	72.28

GLOSSARY (English equivalent is bracketed)

Mass (Performance Weight)	Mass (Curb Weight) plus average weight of four passengers – 272.2 kg (600 lbs.)
Power Displacement	$\frac{\text{Revs/km (Crankshaft Revs/Mi x Piston Displacement)}}{2 \times 28.3 \text{ cu. litres (2 x 1728 cu. in.)}}$
Displacement Factor	$\frac{\text{Power Displacement}}{\text{Performance Weight – Mass (tonnes) (tons)}}$

PRINCIPAL COMPONENTS

CYLINDER BLOCK

Material	Cast alloy iron
Bore Diameter	
Millimetres	82
Inches	3.228
Bore Spacing (C/L to C/L)	
Millimetres	91.44
Inches	3.6
Bearing Caps	5-cast iron 2-bolt attachment
Water Jackets	Full length around each cylinder

CYLINDER HEAD

Material	High chrome cast alloy iron
Construction	Overhead camshaft - cross flow head - induction hardened exhaust valve seats.
Number of bolts	10
Bolt size	
Millimetres	11.0; 16.5/mm
Inches	.4330; 16 threads/inch

COMBUSTION CHAMBER VOLUME

Total chamber volume of assembled engine with piston at top center	
Base - LX3	
Litres	.047
Cubic Inches	2.87
Optional - LY5	
Litres	.053
Cubic Inches	3.23

INLET MANIFOLD

Material	Aluminum
Type	4 branch, water heated

EXHAUST MANIFOLD

Material	Cast nodular iron
Type	Single exhaust pipe takedown
Outlet Diameter	
Millimetres	55.9
Inches	2.20

CRANKSHAFT

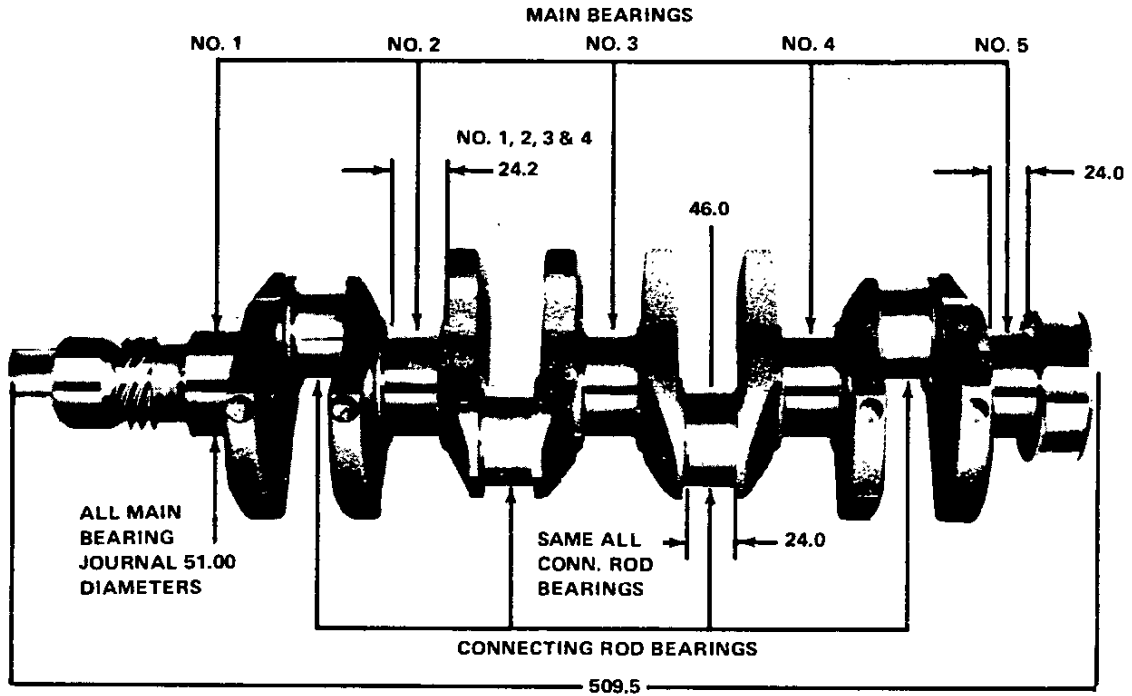
Material	Cast nodular iron
Counter Weights	
Base - LX3	8
Optional - LY5	4
Crankarm Length	
Base - LX3	
Millimetres	33.0
Inches	1.30
Optional - LY5	
Millimetres	37.8
Inches	1.49
Thrust against bearing No. 5	
End play	
Millimetres	0.10-0.20
Inches	.004-.008
Drive Gear	
Material	Sintered iron sprocket
Pitch Diameter	
Millimetres	26.03
Inches	2.206
Width	
Millimetres	20.88-21.08
Inches	.822-.830
No. of teeth	22

MAIN BEARINGS

Material	Premium aluminum
Type	Precision removable
Clearance	
Millimetres	.008-.074
Inches	.0003-.0029
Theoretical Inner Diameter	
Millimetres	51.37
Inches	2.0226
Effective Length	
No. 1, 2, 3 & 4	
Millimetres	18.59
Inches	.732
No. 5	
Millimetres	14.53
Inches	.572

PRINCIPAL COMPONENTS

CRANKSHAFT AND BEARINGS – BASE (LX3)



CRANKSHAFT AND BEARINGS – OPTIONAL (LY5)

(All bearing dimensions same as LX3 Crankshaft)



NOTE: Dimensions are shown in millimeters.

PRINCIPAL COMPONENTS

CAMSHAFT

Location	In cylinder head
Type of drive	Fiberglass reinforced rubber timing belt with cast iron drive sprockets
Sprocket	
Diameter	
Millimetres	110.67
Inches	4.357
Width	
Millimetres	20.5
Inches	.807
Number of teeth	44
Timing belt	
Width	
Millimetres	19.1
Inches	0.75
Number of teeth	99
Pitch	
Millimetres	9.54
Inches	0.315

VALVE TRAIN

Type	Direct action, cam lobes drive tappets
Valve Tappets	Hydraulic valve lash adjuster
Lobe Lift	
Millimetres	5.893 Inlet & Exhaust
Inches	.2320 Inlet & Exhaust
Valve Lift	
Millimetres	9.429 Inlet & Exhaust
Inches	.3712 Inlet & Exhaust

VALVE SPRINGS

Type	Single spring with no damper
Diameter (I.D.)	
Millimetres	25.0
Inches	.984
Free length	
Millimetres	38.23
Inches	1.505
Installed length	
Valves closed	
Newtons @ millimetres	284.0-320.0 @ 32.0
Pounds @ inches	64-72 @ 1.26
Valves opened	
Newtons @ millimetres	743.0-797.0 @ 22.5
Pounds @ inches	167-179 @ .886

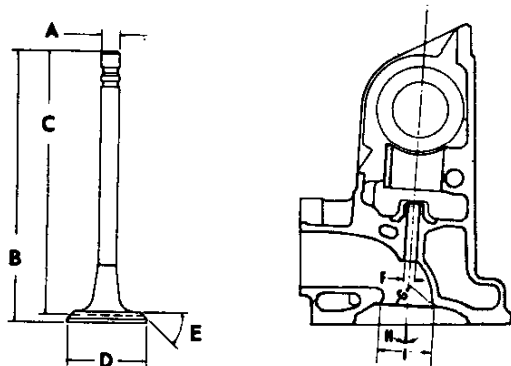
VALVE TIMING (Crankshaft Degrees – Excluding Ramps)

Inlet Valve (opens with .015 lash)	
Opens – BTC	29°
Close – ABC	75°
Duration	284°
Exhaust Valve (opens with .030 lash)	
Opens – BBC	71°
Close – ATC	33°
Duration	284°

PRINCIPAL COMPONENTS

VALVES - INLET

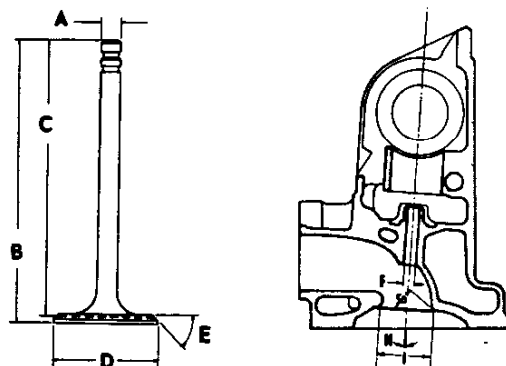
Material High alloy steel
 Coating Aluminized head and seats
 Stems Chrome flash



A - Stem Diameter	
Millimetres	7.972-7.985
Inches	.3138-.3144
B - Overall Length	
Millimetres	98.245-98.755
Inches	3.868-3.888
C - Gage Length	
Millimetres	96.375-96.625
Inches	3.794-3.804
D - Overall Head Diameter	
Millimetres	38.87-39.13
Inches	1.5303-1.5405
E - Angle of Face	45°
F - Guide Diameter	
Millimetres	8.016-8.024
Inches	.3156-.3159
G - Angle of Seat	46°
H - Valve Angle	9°
I - Valve Seat Diameter	
Millimetres	45.0
Inches	1.772

VALVE - EXHAUST

Material High alloy steel with stellite seat
 Stems Full chrome



A - Stem Diameter	
Millimetres	7.952-7.965
Inches	.3130-.3136
B - Overall Length	
Millimetres	98.695-99.205
Inches	3.886-3.906
C - Gage Length	
Millimetres	96.375-96.625
Inches	3.794-3.804
D - Overall Head Diameter	
Millimetres	31.87-32.13
Inches	1.2547-1.2650
E - Angle of Face	45°
F - Guide Diameter	
Millimetres	8.016-8.024
Inches	.3156-.3159
G - Angle of Seat	46°
H - Valve Angle	9°
I - Valve Seat Diameter	
Millimetres	37.0
Inches	1.457

PRINCIPAL COMPONENTS

PISTONS

Material	Cast aluminum alloy
Head Type	
Base - LX3	Flat
Optional - LY5	Sump
Skirt	Iron plated open skirt
Top land clearance	
Millimetres	0.65-0.89
Inches	.0256-.0350
Skirt clearance	
Millimetres	.020-.040
Inches	.0008-.0016
Compression ring groove depth	
Millimetres	4.167-4.407
Inches	.1641-.1735
Oil ring groove depth	
Millimetres	5.017-5.257
Inches	.1975-.2070
Pin bore offset	
Millimetres	0.80
Inches	0.031
Compression height	
Millimetres	38.0
Inches	1.50

PISTON PINS

Material	Chromium steel
Pin mounting	Locked in rod by shrink fit
Length	
Millimetres	69.7-70.3
Inches	2.7440-2.767
Diameter	
Millimetres	22.992-22.995
Inches	.9052-.9053
Clearance in piston	
Millimetres	.003-.007
Inches	.00012-.00027

CONNECTING RODS

Material	Drop forged steel
Length (center to center)	
Millimetres	122.0
Inches	4.803

CONNECTING ROD BEARINGS

Material	Premium aluminum
Type	Precision removable
Clearance	
Millimetres	0.033-1.52
Inches	.013-.060

CONNECTING ROD BEARINGS (Continued)

Theoretical diameter	
Millimetres	46.014
Inches	1.812
Effective length	
Millimetres	20.779
Inches	.818
End play	
Millimetres	0.10-0.30
Inches	.004-.012

COMPRESSION RINGS - UPPER

Material	Cast alloy
Type	Inside bevel, barrel face
Coating	Chrome plated
Width	
Millimetres	1.943-1.969
Inches	.0765-.0775
Wall Thickness	
Millimetres	3.48-3.72
Inches	.137-.146
Gap	
Millimetres	0.23-0.46
Inches	.009-.018

COMPRESSION RINGS - LOWER

Material	Cast alloy iron
Type	Inside bevel; positive twist (1.41); reverse twist (1.61)
Coating	Wear resistant
Width	
Millimetres	1.959-1.984
Inches	.0771-.0781
Wall thickness	
Millimetres	3.48-3.72
Inches	.137-.146
Gap	
Millimetres	0.23-0.48
Inches	.009-.019

OIL CONTROL RINGS

Type	Multi-piece (two rails and one-spacer)
Material	
Rails	Steel
Spacer	Stainless steel
Rail coating	Chrome plated
Width (assembled)	
Millimetres	3.98-4.03
Inches	.1566-.1586
Gap	
Millimetres	0.38-1.40
Inches	.015-.055

FUEL AND EXHAUST SYSTEM

FUEL SYSTEM

FUEL TANK

Capacity - approximately 13 gals. (49.2 litres)
 Location Under compartment load floor
 Filler Location Left rear quarter

FUEL FILTERS - DUAL

In fuel tank Mesh strainer
 In carburetor Inlet Paper element

FUEL PUMP

Type Mechanical
 Location Lower right front of engine
 Pressure Range
 Kilopascals 34.5-44.8
 Pounds/square inch 5.00-6.50

CHOKE

Type Automatic

AIR CLEANER

Type Cylindrical with air snorkel
 attached to ducted air inlet
 Filter element Oil-wetted paper

CARBURETORS

Base - LX3 Single barrel; Mono-jet
 Optional - LY5 Single barrel; Mono-jet
 SAE Flange Size
 Millimetres 31.75
 Inches 1.25
 Throttle bore
 Millimetres 35.05
 Inches 1.38
 Venturi Diameter
 Base - LX3
 Millimetres 29.39
 Inches 1.157
 Optional - LY5
 Millimetres 30.94
 Inches 1.218

EXHAUST SYSTEM

TYPE Single exhaust with converter
 and separate resonator with optional - LY5

MUFFLERS

Type Oval, reverse flow
 Construction Heads and body joined
 by rolled lock seam construction

	Dimensions	
	mm	In.
Head-aluminized steel	1.42	.056
Shell-aluminized steel	0.79	.031
Wrap-asbestos sheet	0.80	.032
Cover-aluminized steel	0.43	.017
Length-body	330.0	13.0
Height-I.D.	101.5	4.0
Width-I.D.	197.0	7.75

RESONATOR - (LY5)

Type Bottle type
 Material aluminized steel

EXHAUST PIPE TO CONVERTER

Material Aluminized steel tubing
 Dimension (O.D. wall thickness)
 Millimetres 44.45 x 0.91
 Inches 1.75 x .036

EXHAUST PIPE - CONVERTER TO MUFFLER

Dimension (O.D. wall thickness)
 Millimetres 50.8 x 1.83
 Inches 2.00 x .072

PIPE MUFFLER TO RESONATOR (LY5)

Dimension (O.D. wall thickness)
 Millimetres 44.45 x 1.83
 Inches 1.75 x .072

TAIL PIPE

Type Single
 Material Aluminized steel tubing
 Dimensions (O.D. x wall thickness)
 Millimetres 44.45 x 1.83
 Inches 1.75 x .072

EMISSION CONTROL EQUIPMENT

SYSTEM APPLICATION

System Type	Engine Adaptation	
	Base - LX3	Optional - LY5
PCV - Positive Crankcase Ventilation	*	***
EGR - Exhaust Gas Recirculation	*	***
CHA - Carburetor Hot Air	*	***
FEC - Fuel Evaporation Control System	*	***
CCS - Controlled Combustion System	*	*
PAI - Pulse Air Injection		**
UFC - Underfloor Converter	*	***

*-Not available in California or above 4000 ft.

** -California only and above 4000. ft.

***-Available - all states.

BASIC FUNCTION OF SYSTEMS

POSITIVE CRANKCASE VENTILATION

Withdraws oil and gas vapors from the various cavities throughout the engine for burning in the combustion cycle.

EXHAUST GAS RECIRCULATION SYSTEM

Meters exhaust gas into induction system for recirculation throughout the combustion cycle to reduce oxides of nitrogen emissions.

CARBURETOR HOT AIR

Meters and mixes heated air with incoming cold air to optimize fuel evaporation.

PULSE AIR INJECTION

Compresses, regulates and distributes quantities of air to the exhaust manifold to more completely burn carbon monoxide and hydrocarbon emissions.

FUEL EVAPORATION CONTROL SYSTEM

Controls emission of gasoline vapors to the atmosphere by means of an integral separator with the fuel tank that separates vapor from liquid fuel - a filler cap that doesn't permit venting into the atmosphere - a canister for storage of vapors - lines, hoses and valves to control and transport vapors from fuel tank to storage, and finally, to the carburetor for utilization in running the engine.

CONTROLLED COMBUSTION SYSTEM

Increased combustion efficiency through leaner carburetor mixtures and revised distributor calibration. Special thermostatically controlled damper, in the air cleaner snorkel maintains warm air intake to carburetor.

UNDERFLOOR CONVERTER

The flow of exhaust gases down through the catalyst with the converter, effectively controls the hydrocarbon and carbon monoxide to a more desirable emission.

LUBRICATION AND COOLING SYSTEM

LUBRICATION SYSTEM

GENERAL

Type	Controlled full pressure
Main Bearings	Pressure
Piston Pins	Splash
Cylinder walls	Splash
Camshaft bearings	Pressure
Tappets	Pressure
Connecting Rods	Pressure
Oil pressure sending unit	Electric
Oil Filler	
Cap	Positive Seal
Location	Right hand center at rocker cover

OIL PUMP

Type	Gear driven by distributor shaft outside gear;
Regulator Valve (opens between)	
Newtons	177.92-200.16
Pounds	40-45
Oil Pressure @ 2000 Engine RPM	
Kilopascals	248.2-310.3
Pounds/square inch	36-45

OIL FILTER

Type	Full flow throwaway type
Location	Lower front-left side
Capacity	0.3 quarts (0.28 litres)
By pass valve	Opens between 9 to 11 PSI (62.05-75.84 kPa) drop in pressure

LUBRICANT GRADES AND TEMPERATURES

-6.6°C and Above (20°F and Above)	10W30, 10W40, 20W-20, 20W-40, 20W-50
-17.7° to 15.5°C (0 to 60°F)	10W, 5W-30, 10W-30, 10W-40
Below -6.6°F (Below 20 °F)	5W-20, 5W-30

OIL PAN

Capacity	
Refill	3.8 litres (4.0 qt.)
Refill with filter change	3.8 litres (4.0 qt.)
Type of drain plug	Hex head
Drain plug location	Right side bottom rear of pan

COOLING SYSTEM

GENERAL

Type	Pressure, vented thru coolant recovery system
Capacity	
LX3	8.04 litres (8.5 qt.)
LY5	8.49 litres (9.0 qt.)

RADIATOR

Type	Tube and center; cross flow
Distance between fins	
LX3 with manual trans.	3.6 mm (.14 in.)
LX3 with automatic trans.	4.1 mm (.16 in.)
LY5 manual and auto.	4.1 mm (.16 in.)
Distance between tubes	14.0 mm (.55 in.)
Thickness of core	31.5 mm (1.24 in.)
Frontal area	
LX3 manual trans.	0.093 m ² (144 in. ²)
LX3 auto. trans.	0.114 m ² (177 in. ²)
LY5 manual and auto.	0.114 m ² (177 in. ²)
Radiator cap relief valve	Opens at approximately 103.4 kPa (15 PSI)

THERMOSTAT-

Type	Pellet
Begins to open	86.2°C (187-194°F)
Fully opened	104.3°C (227°F)

RADIATOR HOSE

Outlet, Lower (Radiator to Water Pump)	
Type	One, molded
Inside diameter	44.4 mm (1.75 in.)
Inlet, Upper (Thermostat Housing)	
Type	One, molded
Inside diameter	31.8 mm (1.25 in.)

FAN

Number of Blades	4, staggered
Material	Plastic
Diameter	340.0 mm (13.38 in.)

WATER PUMP

Type	Centrifugal, die cast aluminum housing
Capacity @ 2000 Engine RPM	
Litres per minute	47.7
Gallons per minute	12.6
Drive	Fan belt

DRAIN LOCATIONS

Engine block	Plug; right rear of block
Radiator-Petcock	Lower, right bottom face

ELECTRICAL SYSTEM

SUPPLY SYSTEM

BATTERY

Type Sealed side terminal
 Number of cells and plates 6 and 48
 Voltage rating and watts 12 and 2500
 Cold cranking rating -18°C (0°F) @ 275 amps;
 -23°C (-10°F) @ 210 amps @ 60 minutes
 reserve capacity
 Terminal Grounded Negative
 Location Right hand front side of
 engine compartment

GENERATOR

Type Diode rectified with integral regulator
 Rating
 Amps 32
 Volts 12
 Drive By fan belt
 Pulley Pitch Diameter 61.7 mm (2.43 in)
 Ratio (Gen to Engine Speed) 2.73:1

REGULATOR

Type Micro-circuit unit, integral with generator
 Voltage Regulator
 Voltage 13.8-14.8 @ 29.4°C (85°F)

IGNITION SYSTEM

DISTRIBUTORS Refer to chart below

STARTING SYSTEM

STARTING MOTOR

Rotation (Drive End View) Clockwise
 Test Conditions Engine at operating temperature
 No Load Test
 Amps 58-80
 Volts 10.6
 RPM 6750-10500
 Motor Drive
 Engagement Solenoid
 Pinion Meshes at Rear
 Pinion Tooth No. 9
 Flywheel Tooth No. 153
 Mounting Bolted to clutch housing

COIL

Type Mounted on case
 Amperes Drawn
 Engine Stopped25
 Engine Idling 1.5

SPARK PLUGS

Make & Type ACR43TS
 Thread Size (mm) 14
 Gap 0.89 mm (.035 in)
 Torque 9-20 Nm (7-15 lb. ft.)

CABLE Fiberglass core impregnated
 with electrical conducting material and
 insulation of rubber

DISTRIBUTORS	1.4 Litre (LX3)		1.6 Litre (LY5)		
	Transmission				
	Manual	Automatic	Manual	Automatic	
Model	1110703		1110687*	1110702	1110693*
Type	High Energy Ignition				
Centrifugal Advance Begins (RPM)	0 @ 1200		0 @ 1200		
Max Degrees @ RPM	24 @ 5700		20 @ 4800		
Vacuum Advance Begins (K Pa)	0 @ 13.5		0 @ 13.5		
Max Degrees @ K Pa	30 @ 40.5		26 @ 40.5		
Timing (Initial Design Setting) Crankshaft Degrees @ RPM (with vacuum spark line disconnected)	12° @ 800		8° @ 800	8° @ 800	8° @ 800
Timing Mark Location	Crankshaft Pulley				

* - Specific to California only.

CLUTCHES AND TRANSMISSIONS

CLUTCHES

Engine		1.4 and 1.6 litre	
Clutch for		4-Speed	
Type		Single dry disc centrifugal	
Clutch cover & pressure plate	Eff. plate load	399.2 kg (880 lbs.)	
	Press. plate matl.	Cast alloy iron	
	Clutch spring type	Diaphragm, bent finger design	
	Clutch spring matl.	Heat treated spring steel	
Driven plate	Type	Single disc with two friction surfaces	
	Cushions	Flat spring steel between friction rings	
	Dampers	4 coil springs	
	Friction rings	OD	180.01 mm (7.087 in.)
		ID	130.99 mm (5.157 in.)
		Total area	0.024 m ² (36.548 in. ²)
Material		Woven type asbestos	
Flywheel	Flywheel	Material Nodular iron	
	Ring gear	Material	Heat treated HR steel
		No. of teeth	142
		PD	300.57 mm (11.83 in.)
		Attachment	Shrink fit
Bearings	Release	Type	Single row ball
		Lubrication	None, prepacked
	Pilot	Type	Bronze bushing
		Lubrication	None, sintered and oil impregnated
Controls	Clutch fork		Drop forged steel, pivot mounted on ball
	Pedal mounting		Pendant, from brace on dash
	Lubrication		Crossover shaft
Clutch housing material		Aluminum alloy	

4-SPEED TRANSMISSION

Transmission Type		4-Speed	
Case material		Aluminum	
Gear Shift	Type	Remote	
	Control	Lever	
	Location	Floor, mounted	
Gears	Type	Helical	
	Material	Forged steel, hardened	
	Synchronization	All forward gears	
	Constant mesh gear	All forward gears	
	Sliding gears	Reverse	
	Ratios	First	3.75
		Second	2.16
		Third	1.38
Fourth		1.00	
Reverse		3.82	
Lubricant	Type	Meeting Military Specifications MIL-L-2105-B	
	Capacity	1.7 litres (3 pints)	
Extension	Material	Aluminum	
	Oil Seal	Steel encased seal of spring loaded silicone	

TURBO HYDRA-MATIC TRANSMISSION

General Data	Type		Automatic hydraulic torque converter with compound planetary gear system - three forward speeds and reverse.
	Selector lever	Location	Floor tunnel
		Operation	Actuates controls by a hydraulic system from pressurized gear type pump
		Quadrant pattern	P-R-N-D-L 2-L 1
	Parking Lock	Type	Locking pawl
		Operation	Applied by selector lever through manual linkage
	Method of cooling		Water
Flywheel assembly		Steel stamping with welded on ring gear	
Hydraulic System	Oil pressure pump		Supplies hydraulic pressure from an engine driven gear type pump
	Type		Steel spool valve
	Valves	Manual	Establishes range at transmission operation
		Pressure regulator	Provides main line pressure
		Shift (1-2)	Controls oil pressure for transmission shift from 1-2 or 2-1
		Shift (2-3)	Controls oil pressure for transmission shift from 2-3 or 3-2
	Pressure modulated by mechanical throttle linkage		Regulates line pressure with modulator oil pressure which varies with torque to transmission
	Accumulator		Provides greater flexibility in attaining desired shift quality for various engine requirements
	Pressure @ Idle (b)	Drive	40-60
		L2	85-105
L1		85-105	
Reverse		90-110	
Converter Assembly	Pump (Drive member)		Multivane type, sheet metal blade spot welded to steel pump housing that is an integral part of the converter housing
	Turbine (Driven member)		Steel axial flow blades assembled between inner & outer steel shells
	Stator assembly		Aluminum multivane type blades mounted on a one way (overrunning) roller clutch
	Stall ratio		2.35
	Stall speed (RPM)		2350
	Diameter (nominal)		228.6 mm (9.0 in.)
Planetary Gear Set	Reaction carrier assembly		2 steel pinion gears
	Output carrier assembly		2 steel pinion gears
	Intermediate band		Circular steel with organic lining
	Range	D (Drive)	2.74:1 - 1.57:1 - 1.00:1
		L2 (Low two)	2.74:1 - 1.57:1
		L1 (Low one)	2.74:1
R (Reverse)		2.07:1	
Servo Unit		Piston with release spring and inner cushion spring	
Case	Material		Aluminum
Clutches	Type		Three, multiple disk
	Material	Drive plates	Steel with bonded organic facings
		Driven plates	Flat steel
	Forward clutch		3 each drive & driven plates
	Direct clutch		3 each drive & driven plates
	Low & Reverse clutch		4 each drive & 3 driven plates
Release spring		Radial row steel coil	
Torque Multiplication	Drive (maximum)		6.44:1 to 1.00
	Low 2		6.44:1 to 2.74
	Low 1		6.44:1 to 1.57
	Reverse		4.86:1 to 2.07
Governor	Type		Cross-axis centrifugal
	Operation		Regulates a pressure proportional to car speed which acts upon the (1-2) (2-3) shift and modulator valves
Lubricant	Type		Dexron II
	Capacity	Dry	7.39 litres (13 pints)
		Refill	3.98 litres (7 pints)

(a) Floor mounted automatic mini-console available as an option.

(b) Conditions 600 RPM input



1
2
3
4

5
6
7
8

9

