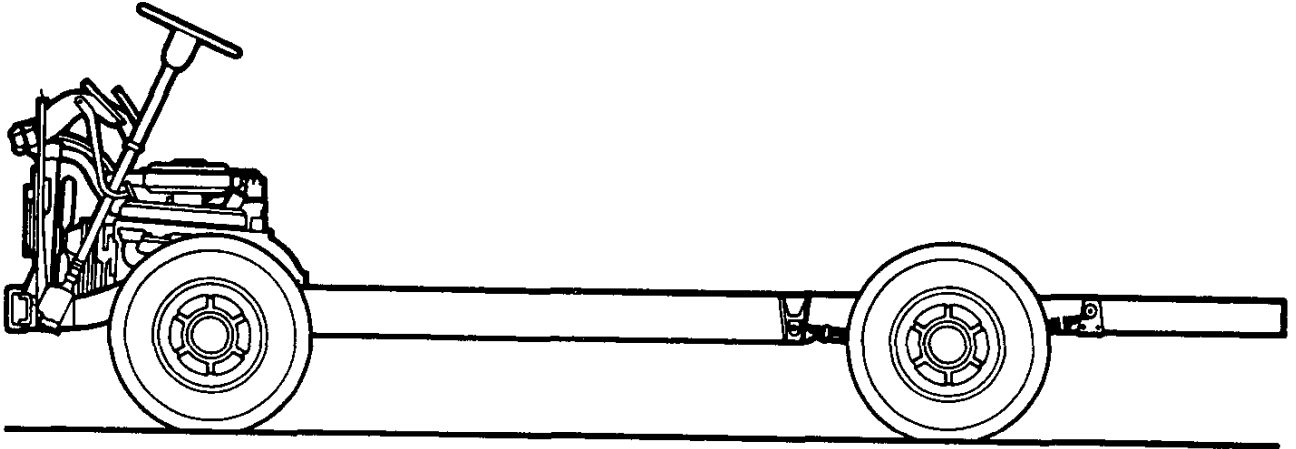




MOTOR HOME CHASSIS

MOTOR HOME CHASSIS MODEL SELECTOR



SERIES	MODEL NUMBER				BODY ORDERING CODE
	125' WB	137' WB	158½' WB	178' WB	
P30	CP30832	CP31132	CP31432	CP31832	ZW9

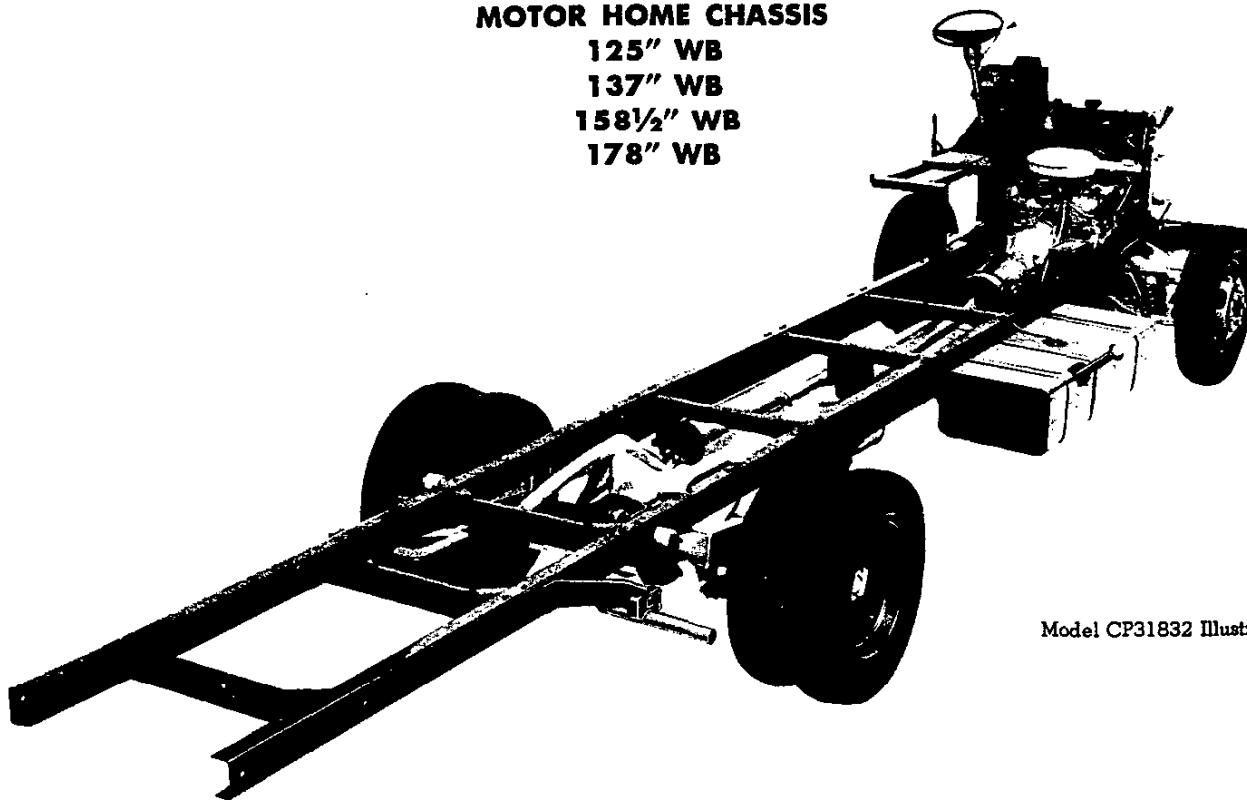
MOTOR HOME CHASSIS

EXTERIOR FEATURES—STANDARD MODELS

The Standard models include the following items as standard equipment.

- **Color:** Chassis and components painted black
- **Emblem:** (Furnished loose in parts box) Bright Chevrolet with black and ochre trim
- **Front Frame Member:** Heavy channel reinforcement; painted black
- **Horn:** Single; low note; electric
- **Instruments:**
 - Gauges: Speedometer, odometer, voltmeter, oil pressure, engine temperature and fuel
 - Switches: Main, for control of exterior lights and instrument lights; headlight beam (foot); ignition, direction signal with lane change position; and hazard warning
 - Warning lamps: brake system warning, direction/hazard signal and high beam
- NOTE: Ignition, direction signal, and hazard warning switches are installed; all other gauges, switches and warning lamps are furnished loose in parts box*
- **Lights:** (Furnished loose in parts box)
 - Combination tail/stop/direction/hazard
 - Headlamps: Two; Power Beam
- **Steering Wheel:** Six-position Comfortilt type; 16" diameter; 2-spoke
- **Tools:** Wheel wrench
- **Wheels:** Painted white

MOTOR HOME CHASSIS
125" WB
137" WB
158½" WB
178" WB



Model CP31832 Illustrated

MOTOR HOME CHASSIS

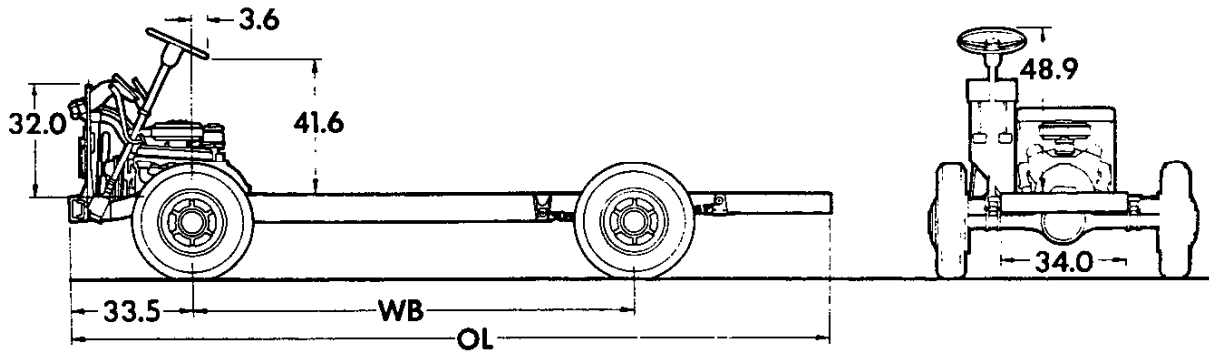
STANDARD SPECIFICATIONS

(See Blue Tab Section for Specification Details)

Model	P30832, P31132, P31432	P31832
Engine	350 4-bbl. V8	454 4-bbl. V8
Air Filter	Polyurethane-wrapped Oiled-paper	
Oil Filter	Throwaway Type	
Oil Cooler	Standard	
Exhaust System	Dual; Aluminized	
Emission Control Systems	See Engine & Cooling, page 26, for specific model application	
Suspension, Front	Independent	
Type	Coil Springs	Coil Springs with Auxiliary Air Springs
Capacity	4300 lb.	5000 lb.
Springs @ Ground	2200 lb. ea.	2500 lb. ea.
Shock Absorbers	1" dia.	1.38" dia.
Stabilizer Bar	1.25" dia.	1.25" dia.
Suspension, Rear	Salisbury Axle; Hypoid Drive; Two-stage Multi-leaf Springs	
Axle Capacity	7900 lb.	10,000 lb.
Axle Ratio	4.56	4.56
Springs, Main @ Ground	3100 lb. ea.	5000 lb. ea.
Shock Absorbers	1" dia.	35mm dia.
Stabilizer Bar	1.75" dia.	1.75" dia.
Brakes	Hydraulic; Self-adjusting	
Front	Disc; 12.5" Rotor	Disc; 14.25" Rotor
Rear	Drum; 13" x 3.5"	Disc; 13.75" Rotor
Booster	Hydro-Boost	Hydro-Boost
Parking	Cable to rear wheels	Prop Shaft
Electrical	12 Volt; Negative Ground	
Battery—Freedom Type	4000 watts @ 0°F.	
Delcotron Generator	61 amp.	
Frame	Carbon Steel; 39,000 psi	
Section Modulus	125, 137" WB—5.26	6.12
	158.5" WB—6.12	
Fuel Tank (nominal capacity)		
Permanent	*30 gal.	50 gal.
Temporary	5 qt.	5 qt.
Steering Gear Type	Integral Power	
Steering Wheel	Comfortilt	
Transmission	3-Speed Automatic	
Model	Turbo Hydra-matic 400	Turbo Hydra-matic 475
Oil Cooler	Standard; Integral with Radiator	
Tires	Tubeless	
Front	(2) 8.75-16.5D(8PR)	(2) 8-19.5D(8PR)
Rear	(4) 8.75-16.5C(6PR) (Dual)	(4) 8-19.5D(8PR) (Dual)
Wheels	(6) 16.5" x 6"	(6) 19.5" x 6.75"

*24 gal. for California

MOTOR HOME CHASSIS



Model	Engine No. Cyl.	Body Length (ft.)	Dimensions (in)★			Curb Weights (lb) ▲			Ground Clearance (in) ★	
			WB	OL	GT	Front	Rear	Total	Front	Rear
CP30832	8	18-20	125	207.1	27.3	2186	1264	3450	9.2	8
CP31132	8	21-23	137	235.1	27.3	2210	1401	3611	9.2	8
CP31432	8	24-26	158.5	256.6	27.3	2251	1466	3717	9.2	8
CP31832	8	26-28	178	321.5	30.2	2459	2165	4624	10.2	8.9

★ Dimensions with standard equipment, unloaded.

▲ Total Curb Weight may vary as much as ± 150 lbs. to allow for production build variation.

MOTOR HOME CHASSIS

GVWR SELECTOR

GVW Rating (lbs)	†GAWR (lbs)		Minimum Equipment Required for GVW Rating		
	Front	Rear	Tire Capacity (lbs ea)		Chassis Equipment
			Front	Rear	
125", 137", 158.5" WB Models					
10,500	4300	6200	2350	1750	Standard
11,000	4880	6200	2440	1750	HD Front Suspension (F66)
11,800	4300	7500	2350	2070	HD Rear Springs (G50)
12,300	4880	7500	2440	2140	HD Front Suspension (F66); HD Rear Springs (G50)
12,500	5000	7500	2680	2360	
● 14,500	5000	9840	2800	2460	10,000-lb Rear Axle (HF7/HF8)
178" WB Model					
14,500	5000	9840	2800	2460	Standard

†GAWR's shown are the maximum for each axle with equipment listed. Other GAWR's are available, and they are determined as the minimum capacity of either axle, springs or tires.

● Available on 158.5" WB Model only.

FRONT AND REAR TIRE AVAILABILITY CHART

Spare tire to match either front or rear tires available at extra cost

FRONT			REAR			
Capacity (lbs ea)	Description	Option Number	Capacity (lbs ea)	Description	Option Number	
		Highway			Dual	Highway
125", 137", or 158.5" WHEELBASE MODELS WITH 7900-LB REAR AXLE						

TUBELESS

2350	8.75-16.5D	TE	1750	8.75-16.5C	TC	TB
			2070	8.75-16.5D	TE	TF
2350	8.75-16.5D	TA	1750	8.75-16.5C	TR	—
			2070	8.75-16.5D	TA	—
2680	8.75-16.5E	TH	1750	8.75-16.5C	TC	TB
			2070	8.75-16.5D	TE	TF
			2360	8.75-16.5E	TH	TJ
2680	8.75-16.5E	TT	1750	8.75-16.5C	TR	—
			2070	8.75-16.5D	TA	—
			2360	8.75-16.5E	TT	—

TUBE-TYPE

2440	7.50-16D	PF	1815	7.50-16C	PB	PC
			2140	7.50-16D	PF	PG
2440	7.50-16D	PE	2140	7.50-16D	PE	—

158.5" or 178" WHEELBASE MODEL WITH 10,000-LB REAR AXLE

TUBELESS

2800	8-19.5D	SF	2460	8-19.5D	SF	SE
			2780	8-19.5E	SG	—
2800	8-19.5D	SN	2460	8-19.5D	SN	—
3170	8-19.5E	SG	2780	8-19.5E	SG	—

MOTOR HOME CHASSIS

POWER TEAMS

ENGINE	TRANSMISSION	REAR AXLE	
Type and Code	Type and Code	Make and Capacity (lb)	Ratio and Code

125", 137" OR 158.5" WHEELBASE MODELS ONLY

			4.10 GT5	4.56 HC4	4.56 HF7	4.88 HF8
■ 350 4-bbl V8—LS9 (Standard Engine)	Turbo Hydra-matic (Std)—M40	Chevrolet 7900 ♦	X ^a	X(Std) ^b	—	—
■ 454 4-bbl V8—LF8	Turbo Hydra-matic (Std)—M40	Chevrolet 7900 ♦	X(Std)	X ^b	—	—
	Turbo Hydra-matic (THM475)—M40 ^c	Chevrolet 10,000★	—	—	X(Std)	X

178" WHEELBASE MODEL ONLY

			4.56 HF7	4.88 HF8
■ 454 4-bbl V8—LF8 (Standard Engine)	Turbo Hydra-matic (THM475) (Std)—M40	Chevrolet 10,000 (Std)	X(Std)	X

■ Available for registration in the State of California when California Emission Certification is ordered.

♦ Locking Differential rear axle available on RPO HC4 4.56 ratio only.

★ 10,000-lb capacity axle instead of standard 7900-lb axle is available only on 158.5" wheelbase model with 14,500-lb GVWR.

^a Standard axle ratio with 12,500-lb. GVWR.

^b Not available with 12,500-lb. GVWR.

^c Included with 10,000-lb. rear axle.

ENGINE RATINGS

SAE Net Ratings @ 85°F	350 4-bbl V8	454 4-bbl V8
Net Horsepower.....	165 @ 3800 rpm	†240 @ 3800 rpm
Net Torque, lb-ft.....	255 @ 2800 rpm	†370 @ 2800 rpm

†For California only: Net Horsepower—250 @ 3800 rpm
Net Torque, lb-ft—385 @ 2800 rpm

MOTOR HOME CHASSIS (10,500-lb—14,500-lb GVW)

1977 VEHICLES WITH STANDARD EQUIPMENT

Prices shown are effective with initial shipments of 1977 Model Motor Vehicles

Description	Model Number	Code	Wheel-base	Factory D&H [§]	List Price	Mfr's Sg't'd Retail Price★	Desti-nation Charge & Group Number	Total
◆ 8-Cylinder 350-4 BBL Engine—Engine Ordering Code LS9								
Motor Home Chassis	CP30832	ZW9	125"	22.78	4710.00	4732.78	29.....
Motor Home Chassis	CP31132	ZW9	137"	22.78	4742.00	4764.78	29.....
Motor Home Chassis	CP31432	ZW9	158.5"	22.78	4778.00	4800.78	29.....
◆ 8-Cylinder 454-4 BBL Engine—Engine Ordering Code LF8								
Motor Home Chassis	CP31832	ZW9	178"	27.00	6163.00	6190.00	29.....

★ Manufacturer's Suggested Retail Prices do not include applicable destination charges, state and local taxes, license fees, options or accessories.
 ◆ Refer to Power Team Chart for California Emission Certification Requirements.

OPTIONS AND ACCESSORIES WHEN INSTALLED BY CHEVROLET

Prices shown are effective with initial shipments of 1977 Model Motor Vehicles

Description	Added Weight (F) (R)	Option Number	Factory D&H [§]	List Price	Mfr's Suggested Retail Price◇
-------------	----------------------	---------------	--------------------------	------------	-------------------------------

POWER TEAMS AND AXLES

(See Power Teams Chart for availability and complete specifications)

Engine: 454-4 BBL V8. Standard on 178" wheelbase.	156 34	LF8	N.A.	258.00	258.00
Liquid Petroleum Gas Conversion: All 1977 Chevrolet Light Duty Truck gasoline production engines may be converted to use LP Gas when permissible under Federal and State laws and regulations without causing harmful effect to the engine. Complete conversion to LPG requires adaptation by a local distributor who sells and services LPG equipment. Caution should be exercised so that the fuel tank is mounted on and is vented to the outside of the vehicle. In addition, vehicles converted to LPG should not be stored in enclosed places such as garages.					
Axles, Rear:					
<i>Optional Ratio. (See Power Teams Chart for option number selection, availability and complete specifications).</i>					
Capacity 10,000-lb. 158.5" wheelbase available only when LF8 454-4 BBL engine, N20 50-gallon fuel tank and SE, SF, SG or SN 8-19.5 tires are specified. Not available on CP30832 or CP31132. Includes HD power 4-wheel disc brakes, 5000-lb capacity Positrim front suspension, 5000-lb each capacity rear springs, F5 1 HD front and rear shock absorbers and propeller shaft mounted parking brake.	0 0	...	N.A.	16.00	16.00
4.56 Ratio. Heavy-Duty. Standard on 178" wheelbase	12 320	HF7	N.A.	1050.00	1050.00
4 88 Ratio	12 320	HF8	N.A.	1050.00	1050.00
158.5" wheelbase only	0 0	HF8	N.A.	16.00	16.00
178" wheelbase only	0 0	HF8	N.A.	16.00	16.00
Locking Differential. Available only when HC4 4.56 ratio rear axle is specified.	0 4	G80	N.A.	160.00	160.00

§ D&H amounts reflect provision for pass through of tire weight tax imposed on manufacturer or importer of tires. State and local taxes not included.

MOTOR HOME CHASSIS

OPTIONS AND ACCESSORIES WHEN INSTALLED BY CHEVROLET

Prices shown are effective with initial shipments of 1977 Model Motor Vehicles

Description	Added Weight (F) (R)		Option Number	Factory D&H [§]	List Price	Mfr's Suggested Retail Price◇
OTHER OPTIONS						
Air Conditioning Provision: Not available when YF5 California Emission with LS9 350-4 BBL engine is specified. Includes condenser, receiver dehydrator, Cool-Pac evaporator and Freon lines with quick connect fittings.						
With LS9 350-4 BBL engine	69	2	C60	N.A.	440.00	440.00
With LF8 454-4 BBL engine	73	2	C60	N.A.	440.00	440.00
California Emission Certification: Includes all testing, equipment and /or certification necessary for registration in the State of California. See <i>Power Teams Chart</i> for availability and complete specifications.						
.....	10	-11	YF5	N.A.	90.00	90.00
Headlamp Warning Buzzer						
.....	0	0	T63	N.A.	6.00	6.00
Plate: Serial Number (State of Pennsylvania)						
<i>K</i> Plate. 125", 137" or 158.5" wheelbase only. Available only when G50 HD rear springs are specified.						
.....	0	0	Z55	NO ADDITIONAL CHARGE		
<i>T</i> Plate. 158.5" or 178" wheelbase only. Available only when HF7 or HF8 10,000-lb rear axle is specified.						
.....	0	0	Z74	NO ADDITIONAL CHARGE		
Shock Absorbers: Front and Rear, Heavy-Duty. Standard on 178" wheelbase. Included when HF7 or HF8 10,000-lb rear axle is specified.						
.....	3	3	F51	N.A.	20.00	20.00
Springs: Rear, Heavy-Duty. Capacity 3750-lb each. Available only when 2070-lb or larger capacity rear tires are specified. Not available on 178" wheelbase or when HF7 or HF8 10,000-lb rear axle is specified.						
.....	0	17	G50	N.A.	38.00	38.00
Suspension: Positrim. Not available on 178" wheelbase or when HF7 or HF8 10,000-lb rear axle is specified						
<i>Front</i>						
.....	2	0	F65	N.A.	61.00	61.00
<i>Front, Heavy-Duty.</i> Available only when PE or PF 7.50-16 or TH or TT 8.75-16.5 front tires are specified.						
.....	26	0	F66	N.A.	345.00	345.00
Tank, Fuel: Approximately 50-gallon capacity. Replaces production fuel tank. Standard on 178" wheelbase. Not available on 125" wheelbase.						
137" wheelbase only	84	111	N20	N.A.	70.00	70.00
158.5" wheelbase only	104	91	N20	N.A.	70.00	70.00
Tires and Wheels: See following pages						
Wheel Trim: Wheel Covers, Bright Metal. Available only when 7.50-16 or 8.75-16.5 tires are specified.						
.....	3	3	P01	N.A.	42.00	42.00

§ D&H amounts reflect provision for pass through of tire weight tax imposed on manufacturer or importer of tires.
◇ State and local taxes not included.

MOTOR HOME CHASSIS

FACTORY INSTALLED TIRES (WITH 7900-lb REAR AXLE)

See Tire Chart for Available Front/Rear Combinations.
Spare tire available to match either front or rear tires.

Prices shown are effective with initial shipments of 1977 Model Motor Vehicles

Tire Size Type	Rim Width Included In Tire Option	Added Weight (F) (R)	Option Number	Factory D&H ¹	List Price	Mfr's Suggested Retail Price ²
TUBE-TYPE TIRES USED WITH DUAL REAR WHEELS						
7.50-16 /C (6 PR) Maximum Tire Capacity (Each)— Dual Rear (1815)						
<i>Not available on 178" wheelbase</i>						
Highway Nylon						
Rear.....	6.00	0 21	YPB	(-0.08)	(-12.00)	(-12.08)
Spare.....	6.00	-17 90	ZPB	3.69	111.00	114.69
Highway Polyester						
Rear.....	6.00	0 14	YPJ	(-0.08)	40.00	39.92
Spare.....	6.00	-17 92	ZPJ	3.69	124.00	127.69
On-Off Road Nylon						
Rear.....	6.00	0 37	YPC	2.04	48.00	50.04
Spare.....	6.00	-18 97	ZPC	4.22	126.00	130.22
7.50-16 /D (8 PR) Maximum Tire Capacity (Each)— Front (2440) Dual Rear (2140)						
<i>Not available on 178" wheelbase</i>						
Highway Nylon						
Front.....	6.00	-1 0	XPF	0.02	(-4.00)	(-3.98)
Rear.....	6.00	0 9	YPF	1.08	28.00	29.08
Spare.....	6.00	-16 89	ZPF	3.98	121.00	124.98
Highway Polyester						
Front.....	6.00	6 0	XPE	0.02	22.00	22.02
Rear.....	6.00	0 24	YPE	1.08	80.00	81.08
Spare.....	6.00	-17 93	ZPE	3.98	134.00	137.98
On-Off Road Nylon						
Rear.....	6.00	0 45	YPG	2.52	92.00	94.52
Spare.....	6.00	-17 94	ZPG	4.34	137.00	141.34

¹ D&H amounts reflect provision for pass through of tire weight tax imposed on manufacturer or importer of tires.
² State and local taxes not included.

MOTOR HOME CHASSIS

FACTORY INSTALLED TIRES (WITH 7900-lb REAR AXLE)

See Tire Chart for Available Front/Rear Combinations.
Spare tire available to match either front or rear tires.
Prices shown are effective with initial shipments of 1977 Model Motor Vehicles

Tire Size Type	Rim Width Included In Tire Option	Added Weight (F) (R)	Option Number	Factory D&H's	List Price	Mfr's Suggested Retail Price
----------------	-----------------------------------	----------------------	---------------	---------------	------------	------------------------------

WIDE BASE TUBELESS TIRES USED WITH DUAL REAR WHEELS

8.75-16.5 /C (6 PR) Maximum Tire Capacity (Each)— Dual Rear (1750)

Available only when GT5 4.10 ratio rear axle is specified

Highway Nylon

Rear	6.00	0 0	YTC	NO ADDITIONAL CHARGE		
Spare	6.00	-16 88	ZTC	3.71	114.00	117.71

Highway Polyester

Rear	6.00	0 6	YTR	N.C.	24.00	24.00
Spare	6.00	-14 87	ZTR	3.71	120.00	123.71

On-Off Road Nylon

Rear	6.00	0 12	YTB	0.56	52.00	52.56
Spare	6.00	-20 95	ZTB	3.85	127.00	130.85

8.75-16.5 /D (8 PR) Maximum Tire Capacity (Each)— Front (2350) Dual Rear (2070)

Available only when GT5 4.10 ratio rear axle is specified

Highway Nylon

Front	6.00	0 0	XTE	NO ADDITIONAL CHARGE		
Rear	6.00	0 12	YTE	1.04	36.00	37.04
Spare	6.00	-17 92	ZTE	3.97	123.00	126.97

Highway Polyester

Front	6.00	8 0	XTA	N.C.	12.00	12.00
Rear	6.00	0 28	YTA	1.04	60.00	61.04
Spare	6.00	-17 95	ZTA	3.97	129.00	132.97

On-Off Road Nylon

Rear	6.00	0 20	YTF	1.60	88.00	89.60
Spare	6.00	-17 93	ZTF	4.11	136.00	140.11

8.75-16.5 /E (10 PR) Maximum Tire Capacity (Each)— Front (2680) Dual Rear (2360)

Available only when GT5 4.10 ratio rear axle is specified

Highway Nylon

Front	6.00	10 0	XTH	0.46	20.00	20.46
Rear	6.00	0 32	YTH	1.96	76.00	77.96
Spare	6.00	-15 93	ZTH	4.20	133.00	137.20

Highway Polyester

Front	6.00	7 0	XTT	0.46	32.00	32.46
Rear	6.00	0 26	YTT	1.96	100.00	101.96
Spare	6.00	-16 94	ZTT	4.20	139.00	143.20

On-Off Road Nylon

Rear	6.00	0 41	YTJ	2.44	128.00	130.44
Spare	6.00	-16 97	ZTJ	4.32	146.00	150.32

§ D&H amounts reflect provision for pass through of tire weight tax imposed on manufacturer or importer of tires.
State and local taxes not included.

MOTOR HOME CHASSIS

FACTORY INSTALLED TIRES (WITH 10,000-lb REAR AXLE)

See Tire Chart for Available Front/Rear Combinations.
Spare tire available to match either front or rear tires.
Prices shown are effective with initial shipments of 1977 Model Motor Vehicles

Tire Size Type	Rim Width Included In Tire Option	Added Weight (F) (R)	Option Number	Factory D&H ¹	List Price	Mfr's Suggested Retail Price
----------------	-----------------------------------	----------------------	---------------	--------------------------	------------	------------------------------

TUBELESS TIRES USED WITH DUAL REAR WHEELS

8-19.5 /D (8 PR) Maximum Tire Capacity (Each)—Front (2800) Dual Rear (2460)

158.5" wheelbase available only when N20 fuel tank and HF7 or HF8 10,000-lb rear axle are specified.

Highway Nylon

Front

158.5" wheelbase only	6.00	38	0	XSF	1.06	54.00	55.06
178" wheelbase only (Standard)	6.00	0	0	XSF	NO ADDITIONAL CHARGE		

Rear

158.5" wheelbase only	6.00	0	87	YSF	3.16	144.00	147.16
178" wheelbase only (Standard)	6.00	0	0	YSF	NO ADDITIONAL CHARGE		

Spare

	6.00	-20	113	ZSF	4.50	150.00	154.50
--	------	-----	-----	-----	------	--------	--------

Highway Polyester

Front

158.5" wheelbase only	6.00	42	0	XSN	1.06	66.00	67.06
178" wheelbase only	6.00	4	0	XSN	N.C.	12.00	12.00

Rear

158.5" wheelbase only	6.00	0	95	YSN	3.16	168.00	171.16
178" wheelbase only	6.00	0	8	YSN	N.C.	24.00	24.00

Spare

	6.00	-23	123	ZSN	4.50	156.00	160.50
--	------	-----	-----	-----	------	--------	--------

On-Off Road Nylon

Rear

158.5" wheelbase only	6.00	0	111	YSE	5.04	216.00	221.04
178" wheelbase only	6.00	0	24	YSE	2.92	72.00	74.92

Spare

	6.00	-22	121	ZSE	5.23	168.00	173.23
--	------	-----	-----	-----	------	--------	--------

8-19.5 /E (10 PR) Maximum Tire Capacity (Each)—Front (3170) Dual Rear (2780)

158.5" wheelbase available only when N20 fuel tank and HF7 or HF8 10,000-lb rear axle are specified.

Highway Nylon

Front

158.5" wheelbase only	6.00	42	0	XSG	2.00	118.00	120.00
178" wheelbase only	6.00	19	0	XSG	0.94	64.00	64.94

Rear

158.5" wheelbase only	6.00	0	95	YSG	5.04	272.00	277.04
178" wheelbase only	6.00	0	8	YSG	1.88	128.00	129.88

Spare

	6.00	-21	116	ZSG	4.97	182.00	186.97
--	------	-----	-----	-----	------	--------	--------

¹ D&H amounts reflect provision for pass through of tire weight tax imposed on manufacturer or importer of tires.
State and local taxes not included.

MOTOR HOME CHASSIS

OPTIONS AND ACCESSORIES WHEN INSTALLED BY CHEVROLET

Prices shown are effective with initial shipments of 1977 Model Motor Vehicles

Description	Added Weight (F) (R)	Option Number	Factory D&H†	List Price	Mfr's Suggested Retail Price
-------------	-------------------------	---------------	--------------	------------	------------------------------

SPARE WHEELS

(Included when spare tire is specified)

16 x 6.00: Available only when 7.50-16 tube-type tires are specified	-7 43	QE2	N.A.	27.00	27.00
16.5 x 6.00: Available only when 8.75-16.5 tubeless tires are specified. Not available on 178" wheelbase or when HF7 or HF8 10,000-lb rear axle is specified.	-7 44	QE6	N.A.	30.00	30.00
19.5 x 6.00: Available only when 8-19.5 tubeless tires are specified.	-9 54	Q34	N.A.	41.00	41.00

† D&H amounts reflect provision for pass through of tire weight tax imposed on manufacturer or importer of tires. State and local taxes not included.