



---

# **MOTOR HOME CHASSIS**

## **CHASSIS FEATURES**

# MOTOR HOME CHASSIS

## EXTERIOR FEATURES—STANDARD MODELS

The Standard models include the following items as standard equipment.

- **Color:** Chassis and components painted black
- **Emblem:** (Furnished loose in parts box) Bright Chevrolet with black and ochre trim
- **Front Frame Member:** Heavy channel reinforcement; painted black
- **Horn:** Single; low note; electric
- **Instruments:**
  - Gages: Speedometer, odometer, voltmeter, oil pressure, engine temperature and fuel
  - Switches: Main, for control of exterior lights and instrument lights; headlight beam (foot); ignition, direction signal with lane change position; and hazard warning
  - Warning lamps: service-parking brake, direction/hazard signal and high beam
- **NOTE:** Ignition, direction signal, and hazard warning switches are installed; all other gages, switches and warning lamps are furnished loose in parts box
- **Lights:** (Furnished loose in parts box)
  - Combination tail/stop/direction/hazard
  - Headlamps: Two; Power Beam
- **Steering Wheel:** Six-position Comfortilt type; 16" diameter; 2-spoke, black soft vinyl
- **Tilt Steering Column:** Lever adjusting control (Six-position)
- **Tools:** Wheel wrench
- **Wheels:** Painted white

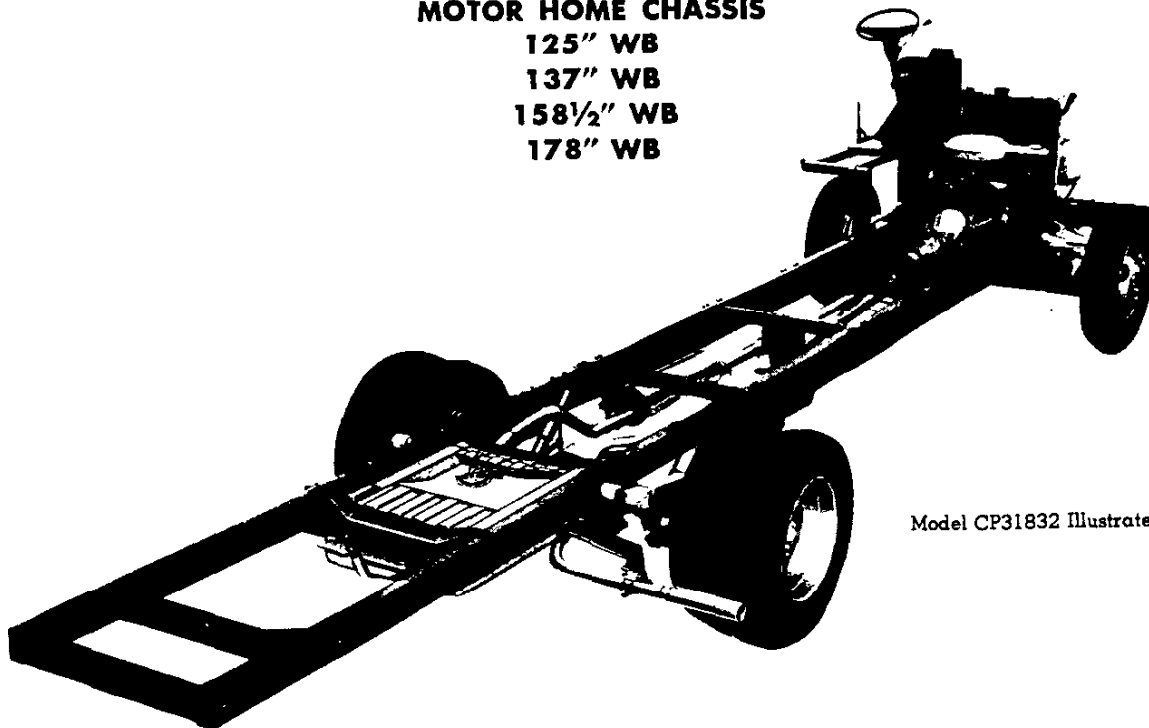
### MOTOR HOME CHASSIS

125" WB

137" WB

158½" WB

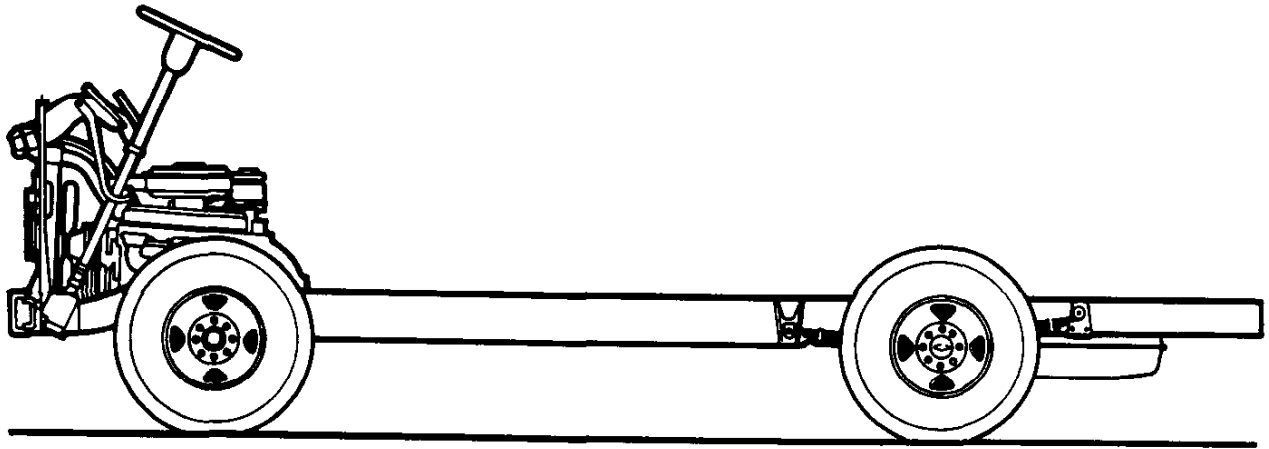
178" WB



Model CP31832 Illustrated

# MOTOR HOME CHASSIS

## MOTOR HOME CHASSIS MODEL SELECTOR



SERIES	MODEL NUMBER				BODY ORDERING CODE
	125' WB	137' WB	158½" WB	178' WB	
P30	CP30832	CP31132	CP31432	CP31832	ZW9

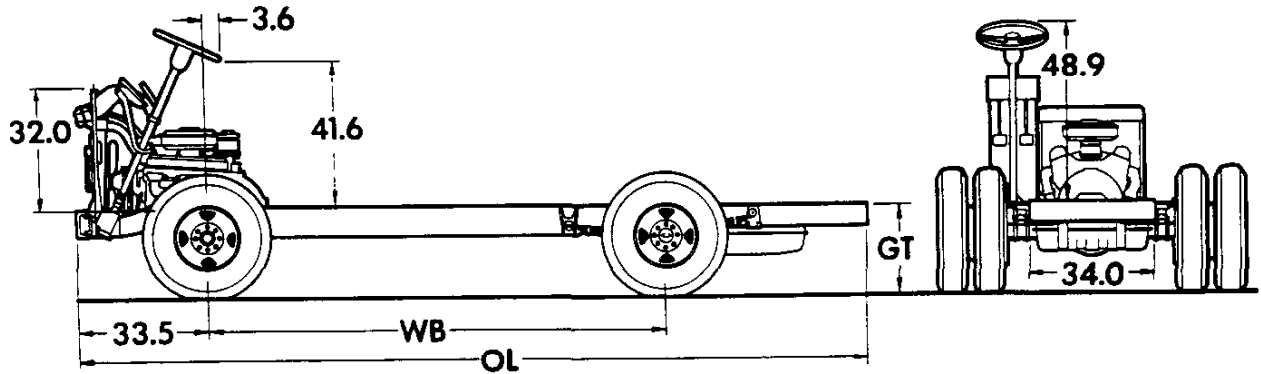
# MOTOR HOME CHASSIS

## STANDARD SPECIFICATIONS

(See Blue Tab Section for Specification Details)

Model	P30832, P31132, P31432	P31832
<b>Engine</b> .....	5.7 Litre, 350 4-bbl. V8	7.4 Litre, 454 4-bbl. V8
<b>Air Filter</b> .....	Polyurethane-wrapped Oiled-paper	
<b>Oil Filter</b> .....	Throwaway Type	
<b>Oil Cooler</b> .....	Standard	
<b>Exhaust System</b> .....	Single; Aluminized	Dual; Aluminized
<b>Emission Control Systems</b> .....	Meet Government Requirements	
<b>Suspension, Front</b> .....	Independent	
<b>Type</b> .....	Coil Springs	Coil Springs with Auxiliary Air Springs
<b>Capacity</b> .....	4300 lb.	5000 lb.
<b>Springs @ Ground</b> .....	2200 lb. ea.	2500 lb. ea.
<b>Shock Absorbers</b> .....	1" dia.	35mm dia.
<b>Stabilizer Bar</b> .....	1.25" dia.	1.25" dia.
<b>Suspension, Rear</b> .....	Salisbury Axle; Hypoid Drive; Two-stage Multi-leaf Springs	
<b>Axle Capacity</b> .....	7900 lb.	10,000 lb.
<b>Axle Ratio</b> .....	4.10	4.56
<b>Springs, Main @ Ground</b> .....	3100 lb. ea.	5000 lb. ea.
<b>Shock Absorbers</b> .....	1" dia.	35mm dia.
<b>Stabilizer Bar</b> .....	1.75" dia.	1.75" dia.
<b>Brakes</b> .....	Hydraulic; Self-adjusting	
<b>Front</b> .....	Disc; 12.5" Rotor	Disc; 14.25" Rotor
<b>Rear</b> .....	Drum; 13" x 3.5"	Disc; 13.75" Rotor
<b>Booster</b> .....	Hydro-Boost	Hydro-Boost
<b>Parking</b> .....	Cable to rear wheels	Prop Shaft
<b>Electrical</b> .....	12 Volt; Negative Ground	
<b>Battery—Freedom Type</b> .....	4000 watts @ 0°F.	
<b>Delcotron Generator</b> .....	63 amp.	
<b>Frame</b> .....	Carbon Steel; 39,000 psi	
<b>Section Modulus</b> .....	125, 137" WB—5.26	6.12
	158.5" WB—6.12	
<b>Fuel Tank (nominal capacity)</b> .....	40 gal.	
<b>Permanent</b> .....	5 qt.	
<b>Temporary</b> .....		
<b>Steering Gear Type</b> .....	Integral Power	
<b>Steering Wheel</b> .....	Comfortilt	
<b>Transmission</b> .....	Automatic	
<b>Oil Cooler</b> .....	Standard; Integral with Radiator	
<b>Tires</b> .....	Tubeless	
<b>Front</b> .....	(2) 8.75-16.5D(8PR)	(2) 8-19.5D(8PR)
<b>Rear</b> .....	(4) 8.75-16.5C(6PR) (Dual)	(4) 8-19.5D(8PR) (Dual)
<b>Wheels</b> .....	(6) 16.5" x 6"	(6) 19.5" x 6.75"

# MOTOR HOME CHASSIS



Model	Engine No. Cyl.	Body Length (ft.)	Dimensions (in)★			Curb Weights (lb) ▲			Ground Clearance (in) ★	
			WB	OL	GT	Front	Rear	Total	Front	Rear
CP30832	8	18-20	125	206.3	27.3	2087	1646	3733	9.2	8
CP31132	8	21-23	137	234.3	27.3	2113	1647	3760	9.2	8
CP31432	8	24-26	158.5	255.8	27.3	2135	1728	3863	9.2	8
CP31832	8	26-28	178	317.5	30.2	2284	2288	4572	10.2	8.9

★ Dimensions with standard equipment, unloaded.

▲ Total Curb Weight may vary as much as  $\pm 150$  lbs. to allow for production build variation.

# MOTOR HOME CHASSIS

## GVWR SELECTOR

GVW Rating (lbs)	†GAWR (lbs)		Minimum Equipment Required for GVW Rating		
			Tire Capacity (lbs ea)		Chassis Equipment
	Front	Rear	Front	Rear	

### 125", 137", 158.5" WB Models

GVW Rating (lbs)	Front GAWR (lbs)	Rear GAWR (lbs)	Front Tire Capacity (lbs ea)	Rear Tire Capacity (lbs ea)	Chassis Equipment
10,500	4300	6200	2350	1750	Standard
11,000	4880	6200	2440	1750	HD Front Suspension (F66)
11,800	4300	7500	2350	2070	HD Rear Springs (G50)
12,300	4880	7500	2440	2140	HD Front Suspension (F66); HD Rear Springs (G50)
12,500	5000	7500	2680	2070	
● 14,500	5000	9840	2800	2460	10,000-lb Rear Axle (HF7/HF8)

### 178" WB Model

GVW Rating (lbs)	Front GAWR (lbs)	Rear GAWR (lbs)	Front Tire Capacity (lbs ea)	Rear Tire Capacity (lbs ea)	Chassis Equipment
14,500	5000	9840	2800	2460	Standard

†GAWR's shown are the maximum for each axle with equipment listed. Other GAWR's are available, and they are determined as the minimum capacity of either axle, springs or tires.

● Available on 158.5" WB Model only.

## FRONT AND REAR TIRE AVAILABILITY CHART

Spare tire to match either front or rear tires available at extra cost

FRONT				REAR		
Capacity (lbs ea)	Description	Option Number	Capacity (lbs ea)	Description	Option Number	
		Highway			Dual	Highway
125", 137", or 158.5" WHEELBASE MODELS WITH 7900-LB REAR AXLE						

### TUBELESS

Capacity (lbs ea)	Description	Option Number	Capacity (lbs ea)	Description	Option Number	Option Number
2350	8.75-16.5D	TE	1750	8.75-16.5C	TC	TB
			2070	8.75-16.5D	TE	TF
2350	8.75-16.5D	TA	1750	8.75-16.5C	TR	—
			2070	8.75-16.5D	TA	—
2680	8.75-16.5E	TH	1750	8.75-16.5C	TC	TB
			2070	8.75-16.5D	TE	TF
			2360	8.75-16.5E	TH	TJ
2680	8.75-16.5E	TT	1750	8.75-16.5C	TR	—
			2070	8.75-16.5D	TA	—
			2360	8.75-16.5E	TT	—

### TUBE-TYPE

Capacity (lbs ea)	Description	Option Number	Capacity (lbs ea)	Description	Option Number	Option Number
2440	7.50-16D	PF	1815	7.50-16C	PB	PC
			2140	7.50-16D	PF	PG
2440	7.50-16D	PE	1815	7.50-16.5C	PJ	—
			2140	7.50-16D	PE	—

### 158.5" or 178" WHEELBASE MODEL WITH 10,000-LB REAR AXLE

### TUBELESS

Capacity (lbs ea)	Description	Option Number	Capacity (lbs ea)	Description	Option Number	Option Number
2800	8-19.5D	SF	2460	8-19.5D	SF	SE
			2780	8-19.5E	SG	—
2800	8-19.5D	SN	2460	8-19.5D	SN	—
3170	8-19.5E	SG	2780	8-19.5E	SG	—

# MOTOR HOME CHASSIS

## POWER TEAMS

### ALL STATES EXCEPT CALIFORNIA

125", 137", OR 158.5" WB MODELS ONLY  
WITH STANDARD 7900 LB REAR AXLE

Engine	Transmission	GVWR	10,500-11,000-11,800		12,300		12,500
			Axle Ratio	4.10■	4.56	4.10■	4.56
		Axle Cap. (lb)	Axle Ratio Codes ▲				
5.7 Litre 350 4-bbl V8—LS9 (Standard)	Automatic—MX1 (Std)	7900♦	GQ1	HC4	—	GQ1	GQ1
			GQ1	HC4	GQ1	HC4	GQ1
7.4 Litre 454 4-bbl V8—LF8	Automatic—MX1 (Std)		GQ1	HC4	GQ1	HC4	GQ1

158.5" WB MODEL ONLY  
WITH AVAILABLE 10,000 LB REAR AXLE

Engine	Transmission	GVWR	14,500	
			Axle Ratio	4.56
		Axle Cap. (lb)	Axle Ratio Codes ▲	
7.4 Litre 454 4-bbl V8—LF8	Automatic—MX1 (Std)	10,000■	HF7	HF8

178" WB MODEL ONLY  
WITH STANDARD 10,000 LB REAR AXLE

Engine	Transmission	GVWR	14,500	
			Axle Ratio	4.56
		Axle Cap. (lb)	Axle Ratio Codes ▲	
7.4 Litre 454 4-bbl V8—LF8 (Standard)	Automatic—MX1 (Std)	10,000■	GQ1	HF8

- ▲ GQ1 indicates standard axle ratio.  
♦ Locking Differential rear axle available on RPO HC4 4.56 ratio only.  
■ Locking Differential rear axle not available.

### ENGINE RATINGS

SAE Net Ratings @ 85°F	5.7 Litre 350 4-bbl V8	7.4 Litre 454 4-bbl V8
Net Horsepower	165 @ 3800 rpm	240 @ 3800 rpm
Net Torque, lb-ft.	255 @ 2800 rpm	370 @ 2800 rpm



# MOTOR HOME CHASSIS

## POWER TEAMS

### CALIFORNIA ONLY

125", 137", OR 158.5" WB MODELS ONLY  
WITH STANDARD 7900 LB REAR AXLE

		GVWR	10,500-11,000-11,800		12,300		12,500
		Axle Ratio	4.10■	4.56	4.10■	4.56	4.10■
Engine	Transmission	Axle Cap. (lb)	Axle Ratio Codes <sup>▲</sup>				
5.7 Litre 350 4-bbl V8—LS9 (Standard)	Automatic—MX1 (Std)	7900♦	GQ1	HC4	—	GQ1	GQ1
7.4 Litre 454 4-bbl V8—LF8	Automatic—MX1 (Std)		GQ1	HC4	GQ1	HC4	GQ1

158.5" WB MODEL ONLY  
WITH AVAILABLE 10,000 LB REAR AXLE

		GVWR	14,500	
		Axle Ratio	4.56	4.88
Engine	Transmission	Axle Cap. (lb)	Axle Ratio Codes <sup>▲</sup>	
7.4 Litre 454 4-bbl V8—LF8	Automatic—MX1 (Std)	10,000■	HF7	HF8

178" WB MODEL ONLY  
WITH STANDARD 10,000 LB REAR AXLE

		GVWR	14,500	
		Axle Ratio	4.56	4.88
Engine	Transmission	Axle Cap. (lb)	Axle Ratio Codes <sup>▲</sup>	
7.4 Litre 454 4-bbl V8—LF8 (Standard)	Automatic—MX1 (Std)	10,000■	GQ1	HF8

▲ GQ1 indicates standard axle ratio.

♦ Locking Differential rear axle available on RPO HC4 4.56 ratio only.

■ Locking Differential rear axle not available.

### ENGINE RATINGS

SAE Net Ratings @ 85°F	5.7 Litre 350 4-bbl V8	7.4 Litre 454 4-bbl V8
Net Horsepower.....	165 @ 3800 rpm	250 @ 3800 rpm
Net Torque, lb-ft.....	255 @ 2800 rpm	385 @ 2800 rpm