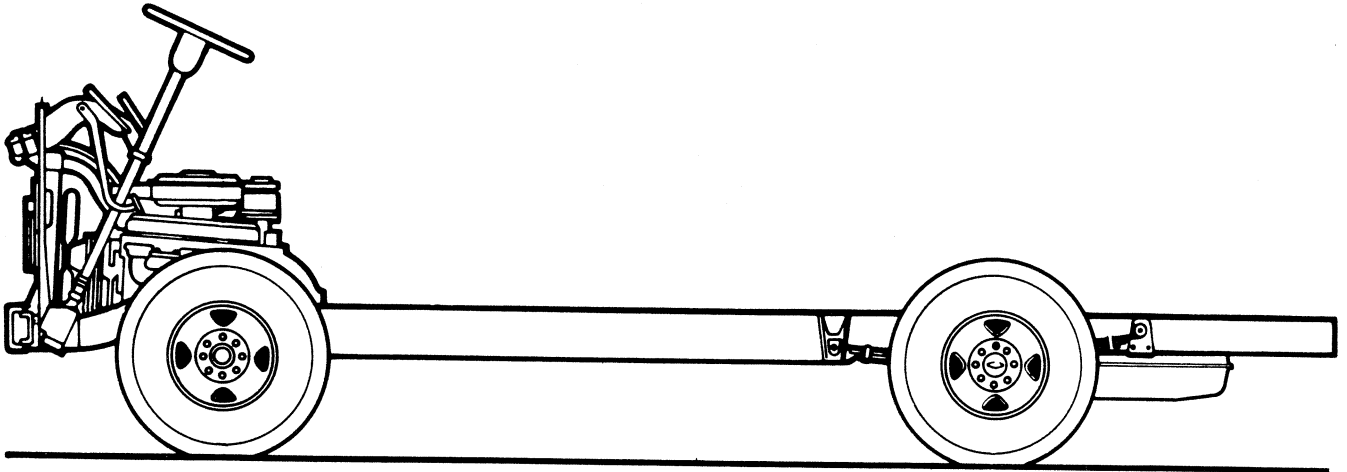


MOTOR HOME CHASSIS

MOTOR HOME CHASSIS MODEL SELECTOR



SERIES	MODEL NUMBER				BODY ORDERING CODE
	125" WB	137" WB	158½" WB	178" WB	
P30	CP30832	CP31132	CP31432	CP31832	ZW9

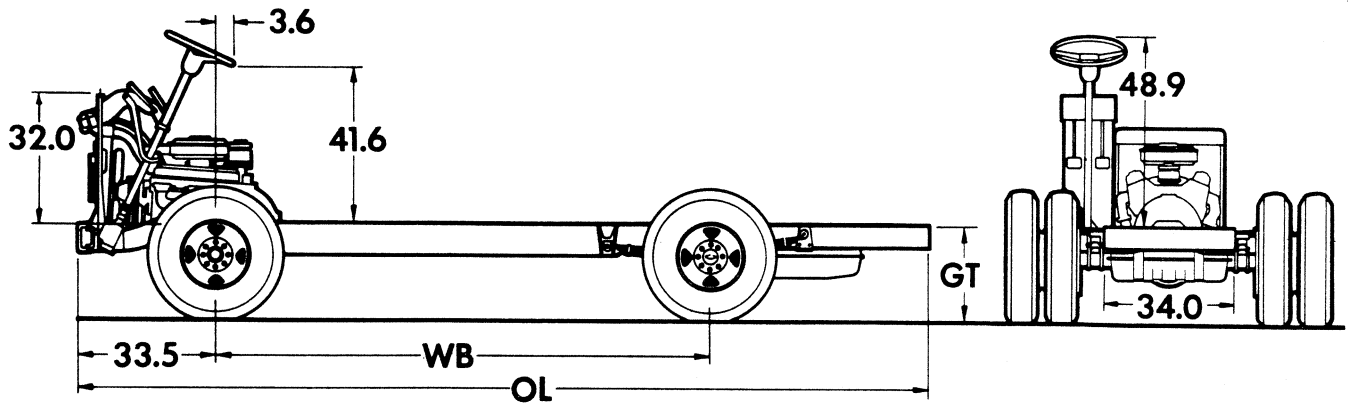
MOTOR HOME CHASSIS

STANDARD SPECIFICATIONS

(See Blue Tab Section for Specification Details)

Model	P30832, P31132, P31432	P31832
Engine	5.7 Liter, 350 4-bbl. V8	7.4 Liter, 454 4-bbl. V8
Air Filter	Polyurethane-wrapped Oiled-paper	
Oil Filter	Throwaway Type	
Oil Cooler	Standard	
Exhaust System	Single; Aluminized	Dual; Aluminized
Emission Control Systems	See Engine & Cooling Section for specific model applications	
Suspension, Front	Independent	
Type	Coil Springs	Coil Springs with Auxiliary Air Springs
Capacity	4300 lb.	5000 lb.
Springs @ Ground	2200 lb. ea.	2500 lb. ea.
Shock Absorbers	25mm dia.	35mm dia.
Stabilizer Bar	1.25" dia.	1.25" dia.
Suspension, Rear	Salisbury Axle; Hypoid Drive; Two-stage Multi-leaf Springs	
Axle Capacity	7900 lb.	10,000 lb.
Axle Ratio	4.10	4.56
Springs, Main @ Ground	3100 lb. ea.	5000 lb. ea.
Shock Absorbers	25mm dia.	35mm dia.
Stabilizer Bar	1.75" dia.	1.75" dia.
Brakes	Hydraulic; Self-adjusting	
Front	Disc; 12.5" Rotor	Disc; 14.25" Rotor
Rear	Drum; 13" x 3.5"	Disc; 13.75" Rotor
Booster	Hydro-Boost	Hydro-Boost
Parking	Cable to rear wheels	Prop Shaft
Electrical	12 Volt; Negative Ground	
Battery—Freedom Type	4000 watts @ 0°F.	
Delcotron Generator	63 amp.	
Frame	Carbon Steel; 39,000 psi	
Section Modulus	125, 137" WB—5.26 158.5" WB—6.12	6.12
Fuel Tank (nominal capacity)	40 gal. 5 qt.	
Steering Gear Type	Integral Power	
Steering Wheel	Comfortilt	
Transmission	Automatic	
Oil Cooler	Standard; Integral with Radiator	
Tires	Tubeless	
Front	(2) 8.75-16.5D(8PR)	(2) 8-19.5D(8PR)
Rear	(4) 8.75-16.5C(6PR) (Dual)	(4) 8-19.5D(8PR) (Dual)
Wheels	(6) 16.5" x 6"	(6) 19.5" x 6.75"

MOTOR HOME CHASSIS



Model	Engine No. Cyl.	Body Length (ft.)	Dimensions (in)★			Curb Weights (lb) ▲			Ground Clearance (in) ★	
			WB	OL	GT	Front	Rear	Total	Front	Rear
CP30832	8	18-20	125	206.3	27.7	2087	1647	3734	9.2	8
CP31132	8	21-23	137	234.3	27.7	2113	1647	3760	9.2	8
CP31432	8	24-26	158.5	255.8	27.7	2135	1728	3863	9.2	8
CP31832	8	26-28	178	317.5	30.2	2285	2289	4574	10.2	8.9

★ Dimensions with standard equipment, unloaded.

▲ Total Curb Weight may vary as much as ± 150 lbs. to allow for production build variation.

MOTOR HOME CHASSIS

POWER TEAMS

ALL STATES EXCEPT CALIFORNIA

CONSULT GVWR SELECTOR AND TIRE CHARTS TO INSURE TIRE CAPACITY AND AVAILABILITY

ENGINE	TRANSMISSIONS BY RPO NUMBER	TIRES BY RPO NUMBER			AXLE RATIOS BY RPO NUMBER			★GVWR
	AUTOMATIC	8.75-16.5	7.50-16	8-19.5	■4.10	4.56	4.88	

125", 137", OR 158.5" WB MODELS ONLY WITH STANDARD 7900 LB REAR AXLE

LT9 V8 5.7 Liter (350-4 BBL)	MX1	TA, TR, TT	—	—	GQ1	—	—	10,500
		—	PE	—	—	GQ1	—	10,500
		TA, TT	—	—	GQ1	—	—	11,000
		—	PE	—	—	GQ1	—	11,000
		TA, TT	—	—	GQ1	—	—	11,800
		—	PE	—	—	GQ1	—	11,800
LE8 V8 7.4 Liter (454-4 BBL)	MX1	TA, TR, TT	—	—	GQ1	—	—	10,500
		—	PE	—	—	GQ1	HC4	10,500
		TA, TT	—	—	GQ1	—	—	11,000
		—	PE	—	—	GQ1	HC4	11,000
		TA, TT	—	—	GQ1	—	—	11,800
		—	PE	—	—	GQ1	HC4	11,800
—	PE	—	—	GQ1	HC4	12,300		
TA, TT	—	—	GQ1	—	—	12,500		

158.5" WB MODEL ONLY WITH AVAILABLE 10,000 LB REAR AXLE

LE8 V8 7.4 Liter (454-4 BBL)	MX1	—	—	SN	—	■HF7	■HF8	14,500
---	-----	---	---	----	---	------	------	--------

178" WB MODEL ONLY WITH STANDARD 10,000 LB REAR AXLE

LE8 V8 7.4 Liter (454-4 BBL)	MX1	—	—	SN	—	■GQ1	■HF8	14,500
---	-----	---	---	----	---	------	------	--------

- ◆ Locking Differential rear axle also available.
- ★ For Required Chassis Equipment see **GVWR SELECTOR**.
- Locking Differential rear axle not available.

ENGINE RATINGS

SAE Net Ratings @ 85°F	*5.7 Liter 350 4-bbl V8	*7.4 Liter 454 4-bbl V8
Net Horsepower	165 @ 3800 rpm	210 @ 3800 rpm
Net Torque, lb-ft	255 @ 2800 rpm	340 @ 2800 rpm

*Heavy Duty Emissions

MOTOR HOME CHASSIS

POWER TEAMS

CALIFORNIA ONLY

CONSULT GVWR SELECTOR AND TIRE CHARTS TO INSURE TIRE CAPACITY AND AVAILABILITY

ENGINE	TRANSMISSIONS BY RPO NUMBER	TIRES BY RPO NUMBER			♦AXLE RATIOS BY RPO NUMBER			*GVWR
	AUTOMATIC	8.75-16.5	7.50-16	8-19.5	■4.10	4.56	4.88	

125", 137", OR 158.5" WB MODELS ONLY WITH STANDARD 7900 LB REAR AXLE

LE8 V8 7.4 Liter (454-4 BBL)	MX1	TA, TR, TT	—	—	GQ1	—	—	10,500	
		—	PE	—	—	GQ1	HC4	—	10,500
		TA, TT	—	—	—	GQ1	—	—	11,000
		—	PE	—	—	GQ1	HC4	—	11,000
		TA, TT	—	—	—	GQ1	—	—	11,800
		—	PE	—	—	GQ1	HC4	—	11,800
		—	PE	—	—	GQ1	HC4	—	12,300
TA, TT	—	—	—	GQ1	—	—	12,500		

158.5" WB MODEL ONLY WITH AVAILABLE 10,000 LB REAR AXLE

LE8 V8 7.4 Liter (454-4 BBL)	MX1	—	—	SN	—	■HF7	■HF8	14,500
------------------------------------	-----	---	---	----	---	------	------	--------

178" WB MODEL ONLY WITH STANDARD 10,000 LB REAR AXLE

LE8 V8 7.4 Liter (454-4 BBL)	MX1	—	—	SN	—	■GQ1	■HF8	14,500
------------------------------------	-----	---	---	----	---	------	------	--------

♦ Locking Differential rear axle also available.

★ For Required Chassis Equipment see **GVWR SELECTOR**.

■ Locking Differential rear axle not available.

ENGINE RATINGS

SAE Net Ratings @ 85°F	7.4 Liter 454 4-bbl V8
Net Horsepower	210 @ 3800 rpm
Net Torque, lb-ft	340 @ 2800 rpm

MOTOR HOME CHASSIS

GVWR SELECTOR

GVW Rating (lbs)	†GAWR (lbs)		Minimum Equipment Required for GVW Rating		
	Front	Rear	Tire Capacity (lbs ea)		Chassis Equipment
			Front	Rear	
125", 137", 158.5" WB Models					
10,500	4300	6200	2350	1750	Standard
11,000	4880	6200	2440	1815	HD Front Suspension (F66)
11,800	4300	7500	2350	2070	HD Rear Springs (G50)
12,300	4880	7500	2440	2140	HD Front Suspension (F66); HD Rear Springs (G50)
12,500	5000	7500	2680	2070	
● 14,500	5000	9840	2800	2460	10,000-lb Rear Axle (HF7/HF8)

178" WB Model

14,500	5000	9840	2800	2460	Standard
--------	------	------	------	------	----------

†GAWR's shown are the maximum for each axle with equipment listed. Other GAWR's are available, and they are determined as the minimum capacity of either axle, springs or tires.

- Available on 158.5" WB Model only.

FRONT AND REAR TIRE AVAILABILITY CHART

Spare tire to match either front or rear tires available at extra cost

Description	Capacity (lbs each)		Highway		Spare
	Front	Dual Rear	Front	Rear	

125", 137", 158.5" WB Models

TUBELESS					
8.75-16.5/D Polyester	2350	2070	XTA	YTA	ZTA
8.75-16.5/C Polyester	—	1750	—	YTR	ZTR
8.75-16.5/E Polyester	2680	2360	XTT	YTT	ZTT
8.75-16.5/C Polyester	—	1750	—	YTR	ZTR
8.75-16.5/D Polyester	—	2070	—	YTA	ZTA

158.5", 178" WB Models

TUBELESS					
*8-19.5/D Polyester	2800	2460	XSN	YSN	ZSN

125", 137", 158.5" WB Models

TUBE-TYPE					
7.50-16/D Polyester	2440	2140	XPE	YPE	ZPE

*Requires 10,000 lb. rear axle (HF7 or HF8) on 158.5" WB model.

MOTOR HOME CHASSIS (10,500-lb - 14,500-lb GVW)

1980 VEHICLES WITH STANDARD EQUIPMENT

Prices shown are effective with vehicles produced on and after January 2, 1980

Description	Model Number	Body Code	Wheel Base	Factory D&H(a)	List Price	Mfr's Sg't'd Retail Price★	Group Number
◆ 8-Cylinder 5.7 Liter (350 Cu. In.) 4 BBL Engine-Engine Ordering Code LT9							
Motor Home Chassis	CP30832	ZW9	125"	22.46	5820.00	5842.46	29
Motor Home Chassis	CP31132	ZW9	137"	22.46	5891.00	5913.46	29
Motor Home Chassis	CP31432	ZW9	158.5"	22.46	6015.00	6037.46	29
◆ 8-Cylinder 7.4 Liter (454 Cu. In.) 4 BBL Engine-Engine Ordering Code LE8							
Motor Home Chassis	CP31832	ZW9	178"	27.54	7934.00	7961.54	29

★ Manufacturer's Suggested Retail Prices do not include applicable destination charges, state and local taxes, license fees, optional equipment or accessories or special items or services.

◆ Refer to Power Team Chart for California Emission Certification Requirements.

OPTIONS AND ACCESSORIES WHEN INSTALLED BY CHEVROLET

Prices shown are effective with vehicles produced on and after January 2, 1980

Description	Added Weight (F R)	Option Number	Factory D&H(a)	List Price	Mfr's Suggested Retail Price◇
-------------	--------------------	---------------	----------------	------------	-------------------------------

POWER TEAMS AND AXLES

(See Power Teams Chart for availability and complete specifications)

Engine: 7.4 Liter (454 Cu. In.) 4 BBL V8. Standard on 178" wheelbase.

CP30832, CP31132 or CP31432	163	37	LE8	N.A.	300.00	300.00
CP31832	0	0	LE8		NO ADDITIONAL CHARGE	

Liquid Petroleum Gas Conversion: All 1980 Light Duty Truck gasoline production engines may be converted to use LP Gas when permissible under Federal and State laws and regulations without causing harmful effect to the engine. Complete conversion to LPG requires adaptation by a local distributor who sells and services LPG equipment. The exhaust system of the vehicle must be revised by the local distributor. This includes removing the catalytic converter (if so equipped) and replacing it with a muffling device to comply with noise laws of their particular area. Caution should be exercised so that the fuel tank is mounted on and is vented to the outside of the vehicle. In addition, vehicles converted to LPG should not be stored in enclosed places such as garages

Axles, Rear: (See Power Teams Chart for option number selection, availability and complete specifications)

Optional Ratio	0	0		N.A.	27.00	27.00
Capacity 10,000-lb. CP31432 available only when LE8 7.4 Liter 4 BBL Engine and SN 8-19.5 tires are specified. Not available on CP30832 or CP31132. Includes HD power 4-wheel disc brakes, 5000-lb capacity Positrim front suspension, 5000-lb each capacity rear springs, F51 HD Front and Rear Shock Absorbers and propeller shaft mounted parking brake.						
4.56 Ratio. Heavy-Duty. Standard on 178" wheelbase	10	320	HF7	N.A.	1307.00	1307.00
4.88 Ratio						
158.5" wheelbase only	13	324	HF8	N.A.	1307.00	1307.00
178" wheelbase only	0	0	HF8	N.A.	27.00	27.00
Locking Differential	0	4	G80	N.A.	197.00	197.00

(a) D & H Charges on vehicle and optional equipment include reimbursement to Chevrolet Motor Division for any tax that it has paid, incurred or agreed to pay thereon.

◇ State and local taxes not included.

MOTOR HOME CHASSIS

FACTORY INSTALLED TIRES (With 7900-lb or 10,000-lb Rear Axle)

See Tire Chart for Available Front/Rear Combinations.
Spare tire available to match either front or rear tires.
Prices shown are effective with vehicles produced on and after January 2, 1980

Tire Size and Type	Rim Width Included In Tire Option	Added Weight (F) (R)	Option Number	Factory D&H(a)	List Price	Mfr's Suggested Retail Price◇
Tires						
TUBELESS. CP30832-CP31132-CP31432 only.						
All 8.75 tires available only when GQ1 Rear Axle Ratio is specified.						
<i>8.75-16.5 /D Highway Polyester Blackwall</i>						
(Maximum Capacity Each. Front 2350-lbs) (Dual Rear 2080-lbs)						
Front	6.00	1 0	XTA	NO ADDITIONAL CHARGE		
Rear	6.00	0 15	YTA	1.12	52.00	53.12
Spare	6.00	-16 90	ZTA	3.93	189.00	172.93
<i>8.75-16.5 /C Highway Polyester Blackwall</i>						
(Maximum Capacity Each. Dual Rear 1750-lbs)						
Rear	6.00	0 0	YTR	NO ADDITIONAL CHARGE		
Spare	6.00	-16 85	ZTR	3.65	156.00	159.65
<i>8.75-16.5 /E Highway Polyester Blackwall</i>						
(Maximum Capacity Each. Front 2680-lbs) (Dual Rear 2360-lbs)						
Front	6.00	1 0	XTT	.64	28.00	28.64
Rear	6.00	0 17	YTT	2.40	104.00	106.40
Spare	6.00	-16 90	ZTT	4.25	182.00	186.25
TUBELESS. CP31432-CP31832 only.						
All 8-19.5 tires with CP31432 available only when HF8 10,000-lb Rear Axle is specified.						
<i>8-19.5 /D Highway Polyester Blackwall</i>						
(Maximum Capacity Each. Front 2800-lbs) (Dual Rear 2460-lbs)						
Front						
CP31432 only	6.00	49 0	XSN	1.32	66.00	67.32
CP31832 only	6.00	5 0	XSN	NO ADDITIONAL CHARGE		
Rear						
CP31432 only	6.00	0 112	YSN	3.76	184.00	187.76
CP31832 only	6.00	0 10	YSN	NO ADDITIONAL CHARGE		
Spare	6.00	-22 119	ZSN	4.59	202.00	206.59
TUBE-TYPE. CP30832-CP31132-CP31432.						
<i>7.50-16 /D Highway Polyester Blackwall</i>						
(Maximum Capacity Each. Front 2440-lbs) (Dual Rear 2140-lbs)						
Front	6.00	4 0	XPE	.30	6.00	6.30
Rear	6.00	0 21	YPE	1.72	64.00	65.72
Spare	6.00	-16 91	ZPE	4.08	172.00	176.08

(a) D & H Charges on vehicle and optional equipment include reimbursement to Chevrolet Motor Division for any tax that it has paid, incurred or agreed to pay thereon.
◇ State and local taxes not included.

NOTES

MOTOR HOME CHASSIS

CHASSIS FEATURES

MOTOR HOME CHASSIS

EXTERIOR FEATURES—STANDARD MODELS

The Standard models include the following items as standard equipment.

- **Color:** Chassis and components painted black
- **Emblem:** (Furnished loose in parts box) Bright Chevrolet with black and ochre trim
- **Front Frame Member:** Heavy channel reinforcement; painted black
- **Horn:** Single; low note; electric
- **Instruments:**
Gages: Speedometer, odometer, voltmeter, oil pressure, engine temperature and fuel
Switches: Main, for control of exterior lights and instrument lights; headlight beam (foot); ignition, direction signal with lane change position; and hazard warning
Warning lamps: service-parking brake, direction/hazard signal and high beam
NOTE: Ignition, direction signal, and hazard warning switches are installed; all other gages, switches and warning lamps are furnished loose in parts box
- **Lights:** (Furnished loose in parts box)
Combination tail/stop/direction/hazard
Headlamps: Two; Power Beam
- **Steering Wheel:** Six-position Comfortilt type; 16" diameter; 2-spoke, black soft vinyl
- **Tilt Steering Column:** Lever adjusting control (Six-position)
- **Tools:** Wheel wrench
- **Wheels:** Painted white

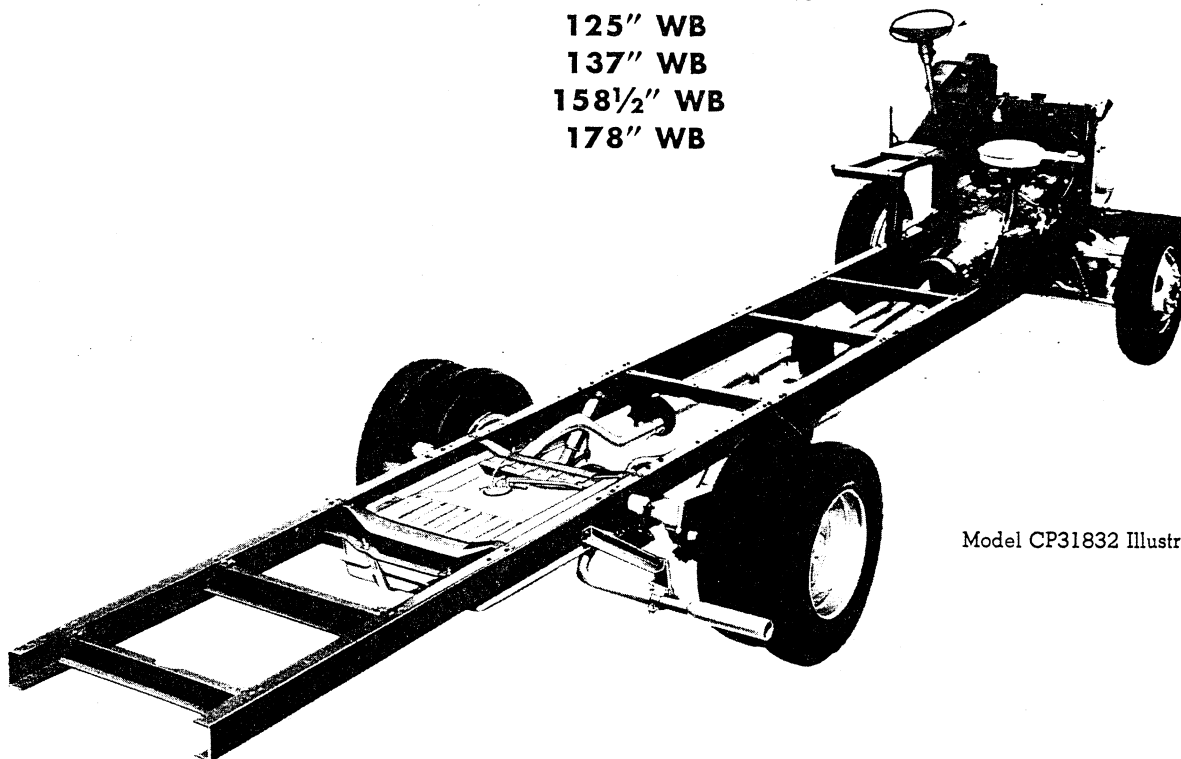
MOTOR HOME CHASSIS

125" WB

137" WB

158½" WB

178" WB



Model CP31832 Illustrated