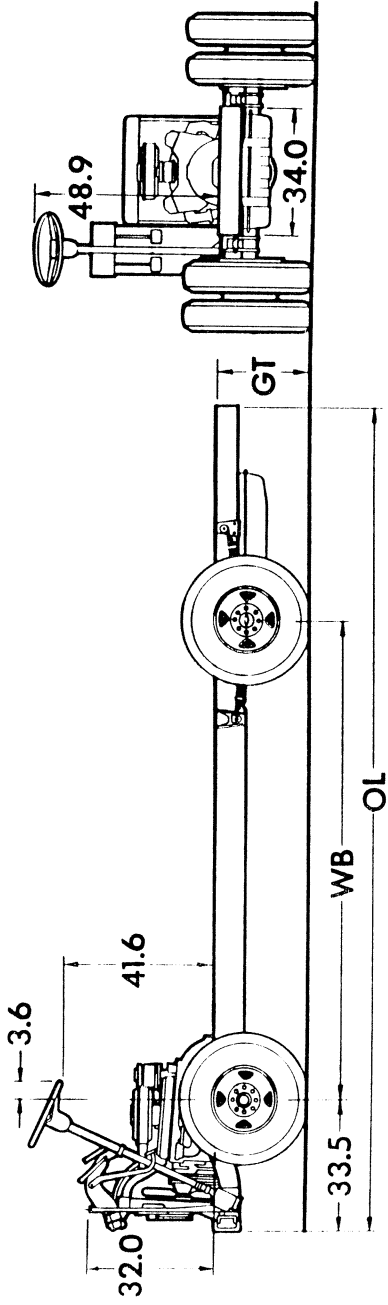


SERIES	MODEL NUMBER			BODY ORDERING CODE
	125" WB	137" WB	158.5" WB	
P30/3500	P30832	P31132	P31432	P31832
				ZW9

Model	P30832, P31132, P31432	P31832
Engine Air Filter Oil Filter Oil Cooler Exhaust System Emission Control Systems	7.4 Liter 454 4-bbl. V8 Polyurethane-wrapped Oiled-paper Throwaway Type Standard Dual; Aluminized See Engine & Cooling Section for specific model applications	
Suspension, Front Type Capacity Springs @ Ground Shock Absorbers Stabilizer Bar	Independent Coil Springs with Auxiliary Air Springs 4300 lb. 5000 lb. 2500 lb. ea. 2500 lb. ea. 35mm dia. 35mm dia. 1.25" dia. 1.25" dia.	
Suspension, Rear Axle Capacity Axle Ratio Springs @ Ground Shock Absorbers Stabilizer Bar	Salisbury Axle, Hypoid Drive; Two-stage Multi-leaf Springs 7900 lb. 10,000 lb. 4.10 4.56 3100 lb. ea. 5000 lb. ea. 32mm dia. 35mm dia. 1.75" dia. 1.75" dia.	
Brakes Front Rear Booster Parking	Hydraulic; Self-adjusting Disc; 12.5" Rotor Disc; 14.25" Rotor Drum; 13" x 3.5" Disc; 13.75" Rotor Hydro-Boost Hydro-Boost Cable to Rear Wheels Prop Shaft	
Electrical Battery – Freedom Type – Reserve Capacity Delcotron Generator	12 Volt; Negative Ground 515 CCA @ 0°F. 115 min. @ 80°F. 66 amp.	
Frame Section Modulus	Carbon Steel; 36,-39,000 psi 125", 137" WB–5.26 6.12 158.5" WB–6.12	
Fuel Tank (nominal capacity) Permanent Temporary	40 gal. 5 qt.	
Steering Gear Type Steering Wheel	Integral Power Comfortilt	
Transmission Oil Cooler	Automatic Standard; Integral with Radiator	
Tires Front Rear	Tubeless (2) LT215/85R16D (8PR) (2) 8-19.5D (8PR) (4) LT215/85R16C (6PR) (Dual) (4) 8-19.5D (8PR) (Dual)	
Wheels	(6) 16" x 6" (6) 19.5" x 6.0"	



Model	Engine No. Cyl.	Body Length (ft)	Dimensions (in)★			Curb Weights (lb)†			Ground Clearance (in)★	
			WB	OL	GT	Front	Rear	Total	Front	Rear
P30832	8	18-20	125	206.3	27.9	2278	1623	3901	9.2	8
P31132	8	21-23	137	234.3	27.9	2284	1659	3943	9.2	8
P31432	8	24-26	158.5	259.4	27.9	2302	1743	4045	9.2	8
P31832	8	26-28	178	317.3	30.6	2429	2075	4504	10.2	8.9

★Dimensions with standard equipment, unloaded.

†Total Curb Weight may vary as much as ±150 lbs. to allow for production build variation.

ALL STATES

POWER TEAMS (MUST ORDER ENGINE, TRANSMISSION AND REAR AXLE)
(Consult GVWR Selector and Tire Chart to insure tire capacity and availability)

W/NA5 STANDARD (Satisfies High Altitude Emission Requirements)
W/NA6 HIGH ALTITUDE OR YF5 CALIFORNIA EMISSIONS

ENGINE	TRANSMISSION		AXLES			GVWR
	AUTO		*4.10	4.56	4.88	
P30832-31132-31432 W/O 7.50-16/D (PE) Tires						
#LE8 V8 7.4 Liter (454-488L)	MX1		*GQ1	—	—	10500
	MX1		*GQ1	—	—	11800
	MX1		—	*HF7	*HF8	%14500
■ LL4 Diesel w./Water In-Fuel Indicator 6.2 Liter V8 (379 Cu. In.)(Reqs B3J)	MX1		*GQ1	—	—	10500
	MX1		*GQ1	—	—	11800
P30832-31132-31432 W/7.50-16/D (PE) Tires						
#LE8 V8 7.4 Liter (454-488L)	MX1		*GQ1	HC4	—	10500
	MX1		*GQ1	HC4	—	11000
	MX1		*GQ1	HC4	—	11800
	MX1		*GQ1	HC4	—	12300
■ LL4 Diesel 6.2 Liter V8 (379 Cu.in.)(Reqs B3J)	MX1		—	GQ1	—	10500
	MX1		—	GQ1	—	11000
	MX1		—	GQ1	—	11800
	MX1		—	GQ1	—	12300
P31832						
#LE8 V8 7.4 Liter (454-488L)	MX1		—	GQ1	HF8	14500

*N/A G80 Locking Differential
%CP31432 only
#N/A NA6 High Altitude Emissions. With NA5 Emissions
Satisfies High Altitude Requirements

■ High Altitude Emission Equipment (FOR EXHAUST SMOKE REDUCTION PURPOSES
AT HIGH ALTITUDE; NOT REQUIRED TO SATISFY HIGH ALTITUDE EMISSION REGULATIONS).

ENGINE RATINGS

ALL STATES EXCEPT CALIFORNIA

SAE Net Ratings	7.4 Liter 454 4-bbl V8	6.2 Liter 379 V8 Diesel
Net Horsepower	230 @ 3800 rpm 360 @ 2800 rpm	135 @ 3600 rpm 240 @ 2000 rpm
Net Torque, lb-ft		

CALIFORNIA ONLY

SAE Net Ratings	7.4 Liter 454 4-bbl V8	6.2 Liter 379 V8 Diesel
Net Horsepower	230 @ 3800 rpm 360 @ 2800 rpm	135 @ 3600 rpm 240 @ 2000 rpm
Net Torque, lb-ft		

GVW Rating (lbs)	+GAWR (lbs)		Minimum Equipment Required for GVW Rating			
	Front	Rear	Tire Capacity (lbs ea)		Chassis Equipment	
			Front	Rear		
125", 137", 158.5" WB Models						
10,500	4300	6200	2315	1764	Standard	
11,000	4880	6200	2440	2140	HD Front Suspension (F66)	
11,800	4300	7500	2315	2105	HD Rear Springs (G50)	
12,300	4880	7500	2440	2140	HD Front Suspension (F66); HD Rear Springs (G50)	
●14,500	5000	9840	2800	2460	10,000-lb Rear Axle (HF7/HF8)	
178" WB Model						
14,500	5000	9840	2800	2460	Standard	

+GAWR's shown are the maximum for each axle with equipment listed. Other GAWR's are available, and they are determined as the minimum capacity of either axle, springs or tires.
 ● Available on 158.5" WB model only.

FRONT AND REAR TIRE AVAILABILITY CHART — ALL STATES

Spare tire to match either front or rear tires available at extra cost

Description	Capacity (lbs each)		Highway		Spare
	Front	Dual Rear	Front	Dual Rear	
TUBELESS					
LT215/85R16D Steel Belted Radial	2315	2105	XYK	YYK	ZYK
LT215/85R16C Steel Belted Radial	-	1764	-	YYJ	ZYK
157.5", 178" WB Models					
TUBELESS					
*8-19.5D Polyester	2800	2460	XSN	YSN	ZSN
125", 137", 158.5" WB Models					
TUBE-TYPE					
7.50-16D Polyester	2440	2140	XPE	YPE	ZPE

*Requires 10,000 lb. rear axle (HF7 or HF8) on 158.5" WB model.

Equipment Included With 6.2L Diesel Engine:

- Low Coolant Sensor
- Poly-wrapped Paper Element Air Cleaner
- Engine Block Heater
- Fuel Tank with water detection and drain system
- Fuel Line Heater

B3J DIESEL EQUIPMENT PACKAGE

(Requires 6.2 Liter Diesel Engine)

Equipment Included With B3J Diesel Equipment

- Package:**
- Dual 550 Cold Cranking Amp/115 min. Reserve Capacity Batteries
 - HD Radiator
 - Dual Exhaust System
 - Warning Lights: Glow Plugs, Water-in-fuel, and Low Coolant
 - Diesel Engine Identification:
 - Nameplates
 - "Diesel Fuel Only" filler cap and label

Description	Model Number	Body Code	Wheel Base	Factory D&H(a)	List Price	Mfr's Suggested Retail Price*	Group Number
◆ 8 Cylinder 7.4 Liter (454 Cu. In.) 4 BBL Engine-Engine Ordering Code LE8							
Motor Home Chassis	CP/TP30832	ZW9	125"	22.66	8388.00	8410.66	22
Motor Home Chassis	CP/TP31132	ZW9	137"	22.66	8469.00	8491.66	22
Motor Home Chassis	CP/TP31432	ZW9	158.5"	22.66	8610.00	8632.66	22
Motor Home Chassis	CP/TP31832	ZW9	178"	27.66	9844.00	9871.66	22

★ Manufacturer's Suggested Retail Prices do not include applicable destination charges, state and local taxes, license fees, optional equipment or accessories or special items or services.
 ◆ Refer to Power Team Chart for California Emission Certification Requirements.

OPTIONS AND ACCESSORIES WHEN INSTALLED BY GENERAL MOTORS

Prices shown are effective with initial shipment of 1983 model motor vehicles

Description	Option Number	Factory D&H(a)	List Price	Mfr's Suggested Retail Price◇
	YF5	N.A.	150.00	150.00
	YF5	N.A.	215.00	215.00
	NA6			NO ADDITIONAL CHARGE
	NA5			NO ADDITIONAL CHARGE
	LE8			NO ADDITIONAL CHARGE
	LL4	N.A.	1334.00	1334.00
	MX1			NO ADDITIONAL CHARGE
		N.A.	36.00	36.00
	HF7	N.A.	1502.00	1502.00
	HF8	N.A.	1502.00	1502.00
	HF8	N.A.	36.00	36.00
	G80	N.A.	230.00	230.00
	YYJ			NO ADDITIONAL CHARGE
	XYK			NO ADDITIONAL CHARGE
	YYK	.32	64.00	64.32
	ZYK	3.83	310.00	313.83

Emission Systems: Dealer Note - One of the following emission options must be specified.

California Emission Requirements: Includes all testing, equipment and/or certification necessary for registration in the State of California. See *Power Teams Chart for availability and complete specifications.*

Without B3J Diesel Equipment Package

With B3J Diesel Equipment Package

High Altitude Emission Equipment: Available only when B3J Diesel Equipment Package is specified. Not available when YF5 California Emission Requirements or NA5 Standard Emission Equipment is specified.

Standard Emissions Equipment: Not available when YF5 California Emission Requirements is specified.

Engines: (See *Power Teams Chart for availability and complete specifications*)

7.4 Liter (454 Cu. In.) 4 BBL V8

6.2 Liter (379 Cu. In.) H.D. V8 Diesel. Available only when B3J Diesel Equipment Package is specified. Not available on P31832

Transmission: 3-Speed Automatic.

Axles, Rear: (See *Power Teams Chart for option number selection, availability and complete specifications*)

Optional Ratio:

Capacity 10,000-lb. Heavy Duty. P31432 available only when SN 8-19.5 Tires are specified. Not available on P30832 or P31132. Includes H.D. power 4-wheel disc brakes, 5000-lb capacity Positrim front suspension, 10,000-lb capacity rear springs and propeller shaft mounted parking brake.

4.56 Ratio. Standard on 178" wheelbase. Not available when B3J Diesel Equipment Package is specified.

4.88 Ratio. Not available when B3J Diesel Equipment Package is specified.

158.5" wheelbase only

178" wheelbase only

Locking Differential: Not available on 178" wheelbase.

Tires:

TUBELESS P30832, P31132 or P31432 only.

All rim sizes are 6.00"

L7215/85R16-C Steel Belted Highway Radial Blackwall (Maximum Capacity Each. Dual Rear 1764-lbs)

Rear. (Standard)

L7215/85R16-D Steel Belted Highway Radial Blackwall (Maximum Capacity Each. Front 2315-lbs) (Dual Rear 2105-lbs)

Front. (Standard)

Spare

CHASSIS FEATURES

The Standard models include the following items as standard equipment.

- **Color:** Chassis and components painted black
- **Emblem:** Bright Chevrolet/GMC letters (Furnished loose in parts box)
- **Front Frame Member:** Heavy channel reinforcement; painted black
- **Horn:** Single; low note; electric
- **Instruments:**
Gages: Speedometer, odometer, voltmeter, oil pressure, engine temperature and fuel
Switches: Main, for control of exterior lights and instrument lights; headlight beam (foot); ignition, direction signal with lane change position; and hazard warning
Warning lamps: service-parking brake, direction/hazard signal and high beam
NOTE: Ignition, direction signal, and hazard warning switches are installed; all other gages, switches and warning lamps are furnished loose in parts box
- **Lights:** (Furnished loose in parts box)
Combination parking/direction/hazard
Headlamps: Two; Power Beam
- **Steering Wheel:** Six-position Comfortilt type; 16" diameter; 2-spoke, black soft vinyl
- **Tilt Steering Column:** Lever adjusting control (Six-position)
- **Wheels:** Painted white

MOTOR HOME CHASSIS

125" WB

137" WB

158.5" WB

178" WB

