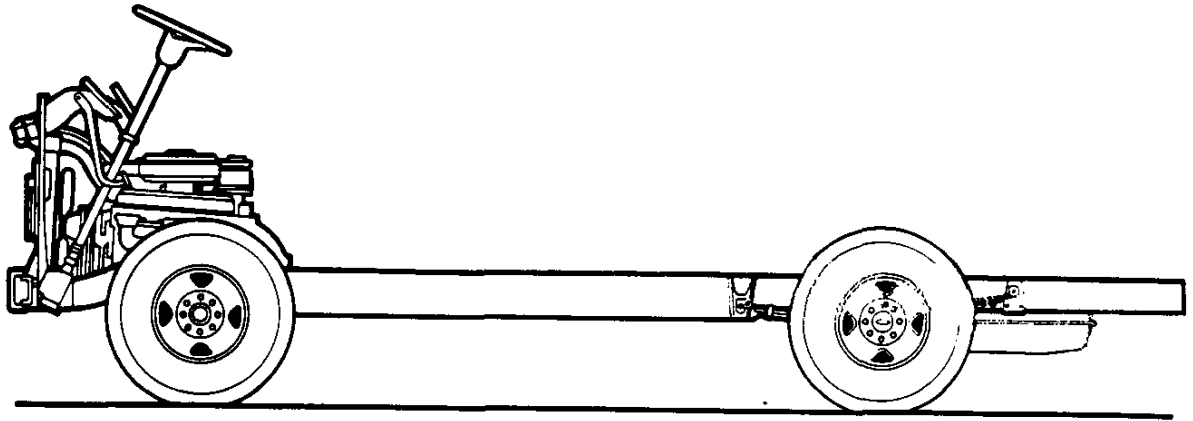




# MOTOR HOME CHASSIS

## MOTOR HOME CHASSIS MODEL SELECTOR



SERIES	MODEL NUMBER				BODY ORDERING CODE
	125" WB	137" WB	158.5" WB	178" WB	
<b>P30/3500</b>	P30832	P31132	P31432	P31832	ZW9

# MOTOR HOME CHASSIS

## STANDARD SPECIFICATIONS

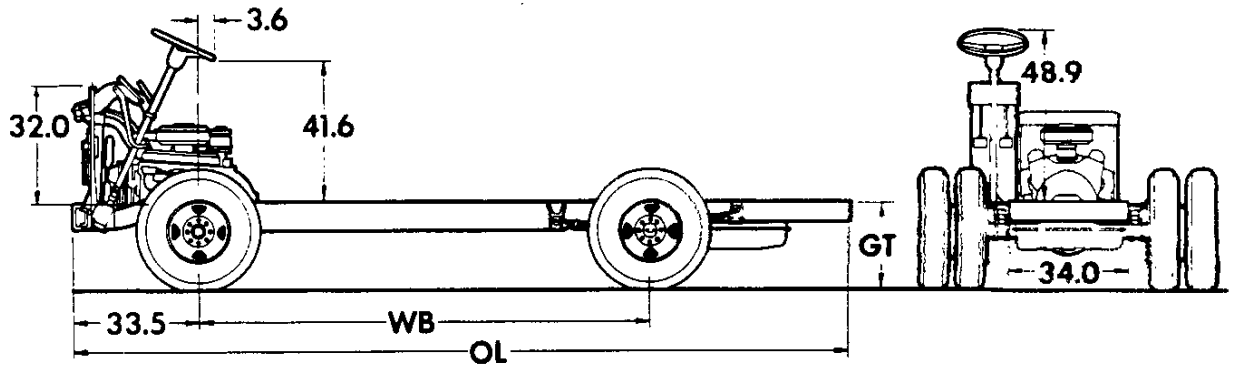
(See Gray Tab Section for Specification Details)

Model	P30832, P31132, P31432	P31832
<b>Engine</b>	7.4 Liter 454 4-bbl. V8	
<b>Air Filter</b>	Polyurethane-wrapped Oiled-paper	
<b>Oil Filter</b>	Throwaway Type	
<b>Oil Cooler</b>	Standard	
<b>Exhaust System</b>	Dual; Aluminized	
<b>Emission Control Systems</b>	See Engine & Section for specific model applications	
<b>Suspension, Front</b>	Independent	
<b>Type</b>	Coil Springs with Auxiliary Air Springs	
<b>Capacity</b>	300 lb.	5000 lb.
<b>Springs @ Ground</b>	9 lb. ea.	2500 lb. ea.
<b>Shock Absorbers</b>	32mm dia.	35mm dia.
<b>Stabilizer Bar</b>	1.25" dia.	1.25" dia.
<b>Suspension, Rear</b>	Salisbury Hypoid Drive; Two-stage Multi-leaf Springs	
<b>Axle Capacity</b>	7900 lb.	10,000 lb.
<b>Axle Ratio</b>	4.10	4.56
<b>Springs @ Ground</b>	3100 lb. ea.	5000 lb. ea.
<b>Shock Absorbers</b>	32mm dia.	35mm dia.
<b>Stabilizer Bar</b>	1.75" dia.	1.75" dia.
<b>Brakes</b>	Hydraulic; Self-adjusting	
<b>Front</b>	Disc; 12.5" Rotor	Disc; 14.25" Rotor
<b>Rear</b>	Drum; 13" x 3.5"	Disc; 13.75" Rotor
<b>Booster</b>	Hydro-Boost	Hydro-Boost
<b>Parking</b>	Cable to Rear Wheels	Prop Shaft
<b>Electrical</b>	12 Volt; Negative Ground	
<b>Battery - Freedom Type</b>	515 CCA ♦ @ 0°F.	
<b>- Reserve Capacity</b>	115 min. @ 80°F.	
<b>Delcotron Generator</b>	66 amp.	
<b>Frame</b>	Carbon Steel; 36,39,000 psi	
<b>Section Modulus</b>	125", 137" WB-5.26 158.5" WB-6.12	6.12
<b>Fuel Tank (nominal capacity)</b>	40 gal.	
<b>Permanent</b>	5 qt.	
<b>Temporary</b>		
<b>Steering Gear Type</b>	Integral Power	
<b>Steering Wheel</b>	Comfortilt	
<b>Transmission</b>	Automatic	
<b>Oil Cooler</b>	Standard; Integral with Radiator	
<b>Tires</b>	Tubeless	
<b>Front</b>	(2) LT215/85R16D (8PR)	(2) 8-19.5D (8PR)
<b>Rear</b>	(4) LT215/85R16C (6PR) (Dual)	(4) 8-19.5D (8PR) (Dual)
<b>Wheels</b>	(6) 16" x 6"	(6) 19.5" x 6.0"

♦CCA-Cold Cranking Amps

# MOTOR HOME CHASSIS

Body Ordering Code—ZW9



Model	Engine No. Cyl.	Body Length (ft)	Dimensions (in)★			Curb Weights (lb)†			Ground Clearance (in)★	
			WB	OL	GT	Front	Rear	Total	Front	Rear
<b>P30832</b>	8	18-20	125	206.3	27.9	2278	1623	3901	9.2	8
<b>P31132</b>	8	21-23	137	234.3	27.9	2284	1659	3943	9.2	8
<b>P31432</b>	8	24-26	158.5	259.4	27.9	2302	1743	4045	9.2	8
<b>P31832</b>	8	26-28	178	317.3	30.6	2429	2075	4504	10.2	8.9

★Dimensions with standard equipment, unloaded.

†Total Curb Weight may vary as much as  $\pm 150$  lbs. to allow for production build variation.

# MOTOR HOME CHASSIS

## POWER TEAMS

### ALL STATES

**POWER TEAMS (MUST ORDER ENGINE, TRANSMISSION AND REAR AXLE)**  
(Consult GVWR Selector and Tire Chart to insure tire capacity and availability)

W/NA5 STANDARD (Satisfies High Altitude Emission Requirements)

W/NA6 HIGH ALTITUDE OR YF5 CALIFORNIA EMISSIONS

ENGINE	TRANSMISSION	AXLES			GVWR	
		AUTO	*4.10	4.56		4.88
<b>P30832-31132-31432 W/O 7.50-16/D (PE) Tires</b>						
±LEB V8 7.4 Liter (454-4BBL)	MX1		*GQ1	—	—	10500
	MX1		*GQ1	—	—	11800
	MX1		—	*HF7	*HF8	% 14500
■LL4 Diesel w. Water In-Fuel Indicator 6.2 Liter V8 (379 Cu. In.)(Reqs B3J)	MX1		*GQ1	—	—	10500
	MX1		*GQ1	—	—	11800
<b>P30832-31132-31432 W/7.50-16/D (PE) Tires</b>						
±LEB V8 7.4 Liter (454-4BBL)	MX1		*GQ1	HC4	—	10500
	MX1		*GQ1	HC4	—	11000
	MX1		*GQ1	HC4	—	11800
	MX1		*GQ1	HC4	—	12300
■LL4 Diesel 6.2 Liter V8 (379 Cu. In.)(Reqs B3J)	MX1		—	GQ1	—	10500
	MX1		—	GQ1	—	11000
	MX1		—	GQ1	—	11800
	MX1		—	GQ1	—	12300
<b>P31832</b>						
±LEB V8 7.4 Liter (454-4BBL)	MX1		—	GQ1	HF8	14500

\*N/A G80 Locking Differential

%CP31432 only

±N/A NA6 High Altitude Emissions. With NA5 Emissions

Satisfies High Altitude Requirements

■ High Altitude Emission Equipment (FOR EXHAUST SMOKE REDUCTION PURPOSES AT HIGH ALTITUDE; NOT REQUIRED TO SATISFY HIGH ALTITUDE EMISSION REGULATIONS).

## ENGINE RATINGS

### ALL STATES EXCEPT CALIFORNIA

SAE Net Ratings	7.4 Liter 454 4-bbl V8	6.2 Liter 379 V8 Diesel
Net Horsepower.....	230 @ 3800 rpm	135 @ 3600 rpm
Net Torque, lb-ft.....	360 @ 2800 rpm	240 @ 2000 rpm

### CALIFORNIA ONLY

SAE Net Ratings	7.4 Liter 454 4-bbl V8	6.2 Liter 379 V8 Diesel
Net Horsepower.....	230 @ 3800 rpm	135 @ 3600 rpm
Net Torque, lb-ft.....	360 @ 2800 rpm	240 @ 2000 rpm

# MOTOR HOME CHASSIS

## GVWR SELECTOR—ALL STATES

GVW Rating (lbs)	†GAWR (lbs)		Minimum Equipment Required for GVW Rating		
	Front	Rear	Tire Capacity (lbs ea)		Chassis Equipment
			Front	Rear	
<b>125; 137; 158.5" WB Models</b>					
10,500	4300	6200	2315	1764	Standard
11,000	4880	6200	2440	2140	HD Front Suspension (F66)
11,800	4300	7500	2315	2105	HD Rear Springs (G50)
12,300	4880	7500	2440	2140	HD Front Suspension (F66); HD Rear Springs (G50)
●14,500	5000	9840	2800	2460	10,000 lb Rear Axle (HF7/HF8)
<b>178" WB Model</b>					
14,500	5000	9840	2800	2460	Standard

†GAWR's shown are the maximum for each axle with equipment listed. Other GAWR's are available, and they are determined as the minimum capacity of either axle, springs or tires.

● Available on 158.5" WB model only.

## FRONT AND REAR TIRE AVAILABILITY CHART—ALL STATES

Spare tire to match either front or rear tires available at extra cost

Description	Capacity (lbs each)		Highway		Spare
	Front	Dual Rear	Front	Dual Rear	
<b>125; 137; 158.5" WB Models</b>					
<b>TUBELESS</b>					
<b>LT215/85R16D</b> Steel Belted Radial	2315	2105	XYK	YYK	ZYK
<b>LT215/85R16C</b> Steel Belted Radial	—	1764	—	YYJ	ZYK
<b>157.5; 178" WB Models</b>					
<b>TUBELESS</b>					
<b>*8-19.5D</b> Polyester	2800	2460	XSN	YSN	ZSN
<b>125; 137; 158.5" WB Models</b>					
<b>TUBE-TYPE</b>					
<b>7.50-16D</b> Polyester	2440	2140	XPE	YPE	ZPE

\*Requires 10,000 lb. rear axle (HF7 or HF8) on 158.5" WB model.

---

# **MOTOR HOME CHASSIS**

## **6.2 LITER DIESEL ENGINE**

### **Equipment Included With 6.2L Diesel Engine:**

- Low Coolant Sensor
- Poly-wrapped Paper Element Air Cleaner
- Engine Block Heater
- Fuel Tank with water detection and drain system
- Fuel Line Heater

## **B3J DIESEL EQUIPMENT PACKAGE**

**(Requires 6.2 Liter Diesel Engine)**

### **Equipment Included With B3J Diesel Equipment Package:**

- Dual 550 Cold Cranking Amp/115 min. Reserve Capacity Batteries
- HD Radiator
- Dual Exhaust System
- Warning Lights: Glow Plugs, Water-in-fuel, and Low Coolant
- Diesel Engine Identification:
  - Nameplates
  - “Diesel Fuel Only” filler cap and label

# MOTOR HOME CHASSIS (10,500-lb - 14,500-lb GVW)

## 1983 VEHICLES WITH STANDARD EQUIPMENT

Prices shown are effective with initial shipment of 1983 model motor vehicles

Description	Model Number	Body Code	Wheel Base	Factory D&H(a)	List Price	Mfr's Suggested Retail Price★	Group Number
<b>◆ 8 Cylinder 7.4 Liter (454 Cu. In.) 4 BBL Engine-Engine Ordering Code LE8</b>							
Motor Home Chassis	CP/TP30832	ZW9	125"	22.66	8388.00	8410.66	22
Motor Home Chassis	CP/TP31132	ZW9	137"	22.66	8469.00	8491.66	22
Motor Home Chassis	CP/TP31432	ZW9	158.5"	22.66	8610.00	8632.66	22
Motor Home Chassis	CP/TP31832	ZW9	178"	27.66	9844.00	9871.66	22

★ Manufacturer's Suggested Retail Prices do not include applicable destination charges, state and local taxes, license fees, optional equipment or accessories or special items or services.

◆ Refer to Power Team Chart for California Emission Certification Requirements.

## OPTIONS AND ACCESSORIES WHEN INSTALLED BY GENERAL MOTORS

Prices shown are effective with initial shipment of 1983 model motor vehicles

Description	Option Number	Factory D&H(a)	List Price	Mfr's Suggested Retail Price○
<b>Emission Systems: Dealer Note --</b> One of the following emission options must be specified.				
<i>California Emission Requirements:</i> Includes all testing, equipment and/or certification necessary for registration in the State of California. See Power Teams Chart for availability and complete specifications.				
Without B3J Diesel Equipment Package	YF5	N.A.	150.00	150.00
With B3J Diesel Equipment Package	YF5	N.A.	215.00	215.00
<i>High Altitude Emission Equipment.</i> Available only when B3J Diesel Equipment Package is specified. Not available when YF5 California Emission Requirements or NA5 Standard Emission Equipment is specified.	NA6		NO ADDITIONAL CHARGE	
<i>Standard Emissions Equipment.</i> Not available when YF5 California Emission Requirements is specified.	NA5		NO ADDITIONAL CHARGE	
<b>Engines:</b> (See Power Teams Chart for availability and complete specifications)				
7.4 Liter (454 Cu. In.) 4 BBL V8	LE8		NO ADDITIONAL CHARGE	
6.2 Liter (379 Cu. In.) H.D. V8 Diesel. Available only when B3J Diesel Equipment Package is specified. Not available on P31832	LL4	N.A.	1334.00	1334.00
<b>Transmission:</b> 3-Speed Automatic	MX1		NO ADDITIONAL CHARGE	
<b>Axles, Rear:</b> (See Power Teams Chart for option number selection, availability and complete specifications)				
<i>Optional Ratio</i>		N.A.	36.00	36.00
<i>Capacity 10,000-lb Heavy Duty.</i> P31432 available only when SN 8-19.5 Tires are specified. Not available on P30832 or P31132. Includes H.D. power 4-wheel disc brakes, 5000-lb capacity Positrim front suspension, 10,000-lb capacity rear springs and propeller shaft mounted parking brake.				
4.56 Ratio. Standard on 178" wheelbase. Not available when B3J Diesel Equipment Package is specified	HF7	N.A.	1502.00	1502.00
4.88 Ratio. Not available when B3J Diesel Equipment Package is specified.				
158.5" wheelbase only	HF8	N.A.	1502.00	1502.00
178" wheelbase only	HF8	N.A.	36.00	36.00
<i>Locking Differential.</i> Not available on 178" wheelbase.	G80	N.A.	230.00	230.00
<b>Tires:</b>				
TUBELESS P30832, P31132 or P31432 only.				
All rim sizes are 6.00"				
<i>LT215/85R16-C Steel Belted Highway Radial Blackwall</i> (Maximum Capacity Each, Dual Rear 1764-lbs)				
Rear. (Standard)	YYJ		NO ADDITIONAL CHARGE	
<i>LT215/85R16-D Steel Belted Highway Radial Blackwall</i> (Maximum Capacity Each, Front 2315-lbs) (Dual Rear 2105-lbs)				
Front. (Standard)	XYK		NO ADDITIONAL CHARGE	
Rear	YYK	.32	64.00	64.32
Spare	ZYK	3.83	310.00	313.83

(a) D & H Charges on vehicle and optional equipment include reimbursement to ordering Division for any tax that it has paid, incurred or agreed to pay thereon.

○ State and local taxes not included.



# MOTOR HOME CHASSIS

## OPTIONS AND ACCESSORIES WHEN INSTALLED BY GENERAL MOTORS

Prices shown are effective with initial shipment of 1983 model motor vehicles

Description	Option Number	Factory D&H(a)	List Price	Mfr's Suggested Retail Price ◇
<b>Tires: (Continued)</b>				
TUBELESS. P31432 or P31832 only. All 8-19.5 tires on P31432 available only when HF7 or HF8 10,000-lb Rear Axle is specified.				
8-19.5/D Highway Polyester Blackwall				
(Maximum Capacity Each. Front 2800-lbs) (Dual Rear 2460-lbs)				
Front				
P31432 only	XSN	1.56	(-96.00)	(-94.44)
P31832 only. (Standard)	XSN		NO ADDITIONAL CHARGE	
Rear				
P31432 only	YSN	3.44	(-128.00)	(-124.56)
P31832 only. (Standard)	YSN		NO ADDITIONAL CHARGE	
Spare	ZSN	4.61	262.00	266.61
TUBE-TYPE. P30832, P31132 or P31432.				
7.50-16/D Highway Polyester Blackwall				
(Maximum Capacity Each. Front 2440-lbs) (Dual Rear 2140-lbs)				
Front	XPE	14	(-176.00)	(-175.86)
Rear	YPE	.60	(-288.00)	(-287.40)
Spare	ZPE	3.90	222.00	225.90

### OTHER OPTIONS

<b>Diesel Equipment Package:</b> Available only when LL4 6.2 Liter Diesel Engine is specified. Not available on 178" wheelbase. Includes two heavy-duty batteries, H.D. Radiator and special instrument cluster	B3J	N.A.	485.00	485.00
<b>Engine Block Heater:</b> Not available when B3J Diesel Equipment Package is specified	K05	N.A.	31.00	31.00
<b>Preliminary Price Information</b>	B3W	N.A.	N.A.	N.A.
<b>Springs: Rear, Heavy-Duty.</b> Capacity 3750-lb each. Available only when YK LT215/85R16D or PE 7.50-16 Rear Tires are specified. Not available on 178" wheelbase or when HF7 or HF8 10,000-lb Rear Axle is specified.	G50	N.A.	55.00	55.00
<b>Suspension: Positrim, Front, Heavy-Duty.</b> Available only when PE 7.50-16 Tires are specified. Not available on 178" wheelbase or when HF7 or HF8 10,000-lb Rear Axle is specified.	F66	N.A.	478.00	478.00
<b>Wheels, Spare: 19.5" x 6.00".</b> P31432 or P31832 only. Available only when SN 8-19.5/D Tires are specified	Q34	N.A.	75.00	75.00

(a) D & H Charges on vehicle and optional equipment include reimbursement to ordering Division for any tax that it has paid, incurred or agreed to pay thereon.  
 ◇ State and local taxes not included.

---

# **MOTOR HOME CHASSIS**

## **CHASSIS FEATURES**

# MOTOR HOME CHASSIS

## EXTERIOR FEATURES—STANDARD MODELS

The Standard models include the following items as standard equipment.

- **Color:** Chassis and components painted black
- **Emblem:** Bright Chevrolet/GMC letters (Furnished loose in parts box)
- **Front Frame Member:** Heavy channel reinforcement; painted black
- **Horn:** Single horn, electric
- **Instruments:**
  - Gages: Speedometer, odometer, voltmeter, oil pressure, engine temperature and fuel
  - Switches: Main, for control of exterior lights and instrument lights, headlight beam (foot); ignition, direction signal with lane change position; and hazard warning
  - Warning lamps: service-parking brake, direction/hazard signal and high beam
  - NC ignition, direction signal, and hazard warning switches are furnished; all other gages, switches and warning lamps are furnished loose in parts box
- **Lights:** (Furnished loose in parts box)
  - Combination parking/direction/hazard
  - Headlamps: Two; Power Beam
- **Steering Wheel:** Six-position Comfortilt type; 16" diameter; 2-spoke, black soft vinyl
- **Tilt Steering Column:** Lever adjusting control (Six-position)
- **Wheels:** Painted white

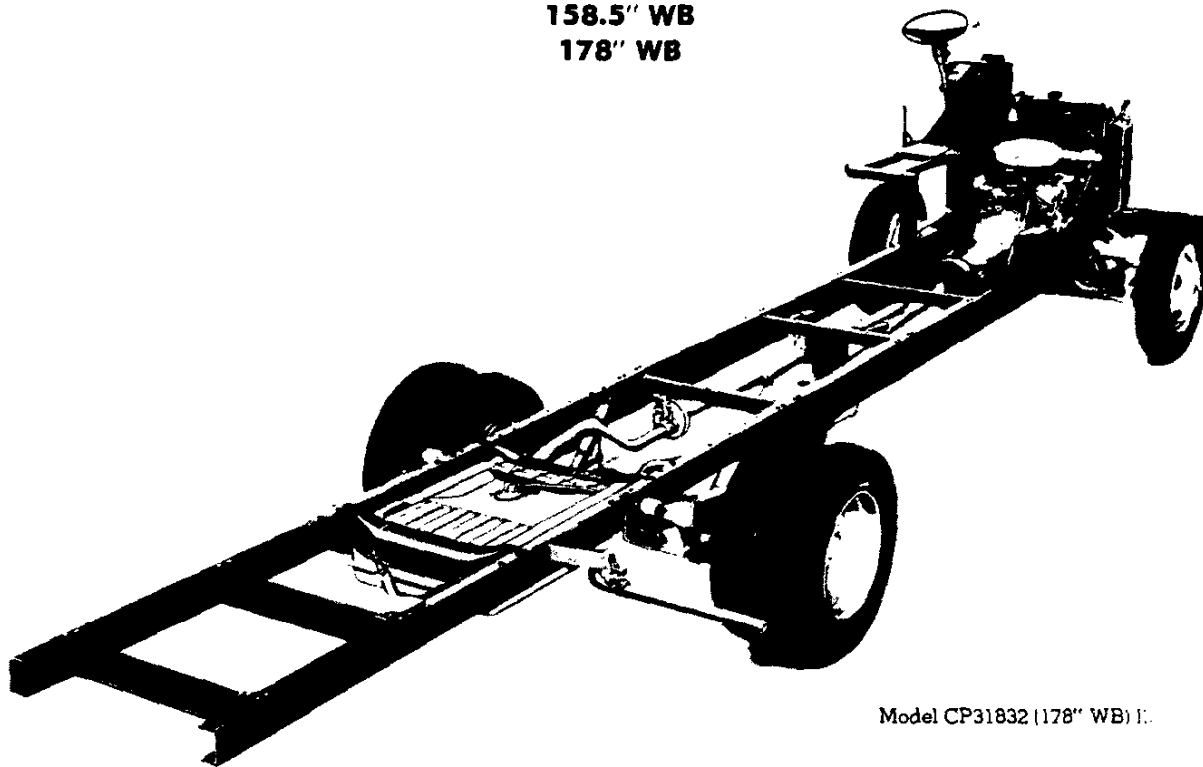
## MOTOR HOME CHASSIS

125" WB

137" WB

158.5" WB

178" WB



Model CP31832 (178" WB) E.