
1
2
3
4
5
6
7
8
9
10
11
12
13
14
15
16
17
18
19
20
21
22
23
24
25
26
27
28
29
30
31
32
33
34
35
36
37
38
39
40
41
42
43
44
45
46
47
48
49
50
51
52
53
54
55
56
57
58
59
60
61
62
63
64
65
66
67
68
69
70
71
72
73
74
75
76
77
78
79
80
81
82
83
84
85
86
87
88
89
90
91
92
93
94
95
96
97
98
99
100

2.8 LITER (173 Cu. In.) V6

SPECIFICATIONS

2.8 Liter/173 2-bbl V6	
Oil Filter	Throwaway
Capacity (qts)	.43
Oil Pump	
Type	Spur gear; distributor shaft driven
Capacity (gpm)	
Normal Pressure (psi)	
Pistons	
Material	Cast aluminum alloy
Skirt	Closed
Head	
Piston Pins	
Type	Rod shrink fit to pin
Material	Chromium steel
Piston Rings	
Compression Rings	
Number	2
Type	Upper - barrel; lower - inside bevel
Material	Cast iron alloy
Oil Control Ring	Spacer-expander with upper and lower rails
Number	1
Type	Multi-piece
Material	Steel
Thermostat	Harrison; 195°
Valve Train	
Type	Individually mounted rocker arms, push rod actuated
Lifters	Hydraulic
Rocker Arm Ratio	1.50:1
Valve Guides	Integral with cylinder head
Valve Lash	Zero
Intake Valves	
Material	Alloy steel
Diameter (in.)	1.60
Face Coatings	None
Seats	Machined in cylinder head
Exhaust Valves	
Material	High alloy steel
Diameter (in.)	1.31
Face Coating	None
Seats	Machined in cyl. head; induction hardened
Rotators (exhaust)	Yes
Water Pump	
Type	Centrifugal
Capacity (gpm)	

2.8 LITER (173 2-bbl) V6

SPECIFICATIONS

		2.8 Liter/173 2-bbl V6
Basic Description		V6; Valve-in-head
Displacement (Liter/Cu. In.)		2.8/173
Bore & Stroke		3.50 x 2.99
Compression Ratio		8.5:1
Firing Order		1-2-3-4-5-6
SAE Net Horsepower @ rpm		110 @ 4800
SAE Net Torque (lb-ft) @ rpm		145 @ 2100
Air Cleaner		Replaceable paper element
Camshaft		
Bearings		Steel-backed aluminum w/overplate
Intake Valve	Opens	7° BTC
(excluding ramps)	Closes	50° ABC
Exhaust Valve	Opens	51° BBC
(excluding ramps)	Closes	24° ATC
Intake Duration w/o ramp		237°
Exhaust Duration w/o ramp		255°
Carburetor		
Type		2-barrel
Make		Rochester
Venturi ID (in)		1.218
Throttle Bore (in)		Primary - 1.38; Secondary - 2.20
Choke Control		Automatic
Connecting Rods		
Material		Drop-forged steel
Length (in)		5.70
Bearings		Steel-backed aluminum w/overplate
Crankcase Ventilation		Closed positive
Crankshaft		
Material		Cast nodular iron
Number of Counterweights		2
Main Journal dia (in)		2.49
Crankpin Journal dia (in)		2.00
Torsional Damper		Inertia; rubber mounted
Bearings		Upper and Lower - premium aluminum
Distributor		High Energy Unit, Delco-Remy
Fuel Filter		
Carburetor		Pleated fiber element
Fuel Tank		Plastic strainer
Lubrication System		Controlled full pressure
Main Bearings		Direct pressure
Camshaft Bearings		Direct pressure
Timing Gear		Centrifugally sprayed
Connecting Rods		Direct pressure
Valve Mechanism		Pressure & gravity
Cylinder Walls		Cross sprayed throw-off from rod bearing
Piston Pins		Cross sprayed throw-off from rod bearing
Oil Capacity (qts)		
With filter change		4
W/o filter change		3.5

2.8 LITER (173 2-bbl) V6

(Ordering Code LR2)

Applications

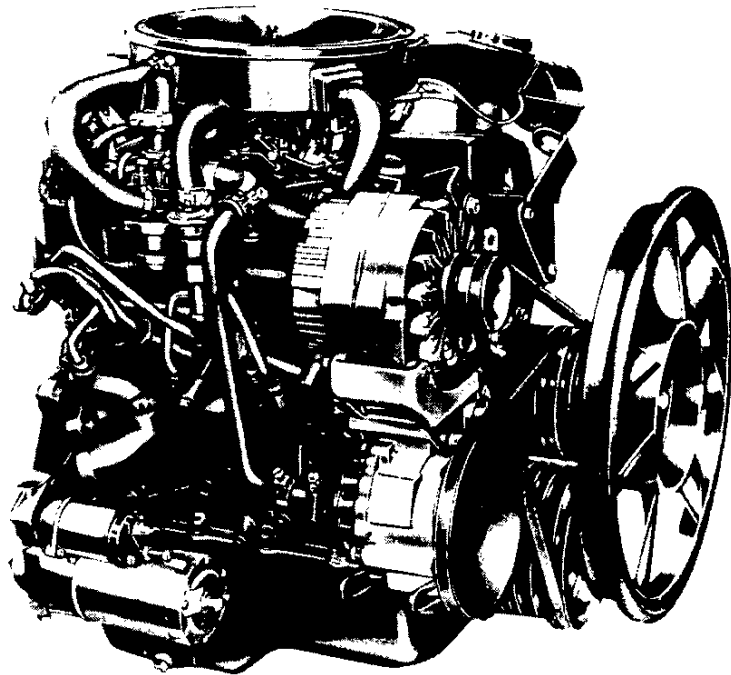
Standard: S-10/15 Chassis-Cab and Utility
 Optional: S-10/15 Pickups, Blazer/Jimmy

Basic Specifications

Engine type	Valve-in-head
Piston displacement (Liter/Cu. In.)	2.8/173
Bore & stroke (nominal)	3.50" x 2.99"
Compression ratio	8.5:1
Carburetor type	2-barrel
Exhaust—Single	All

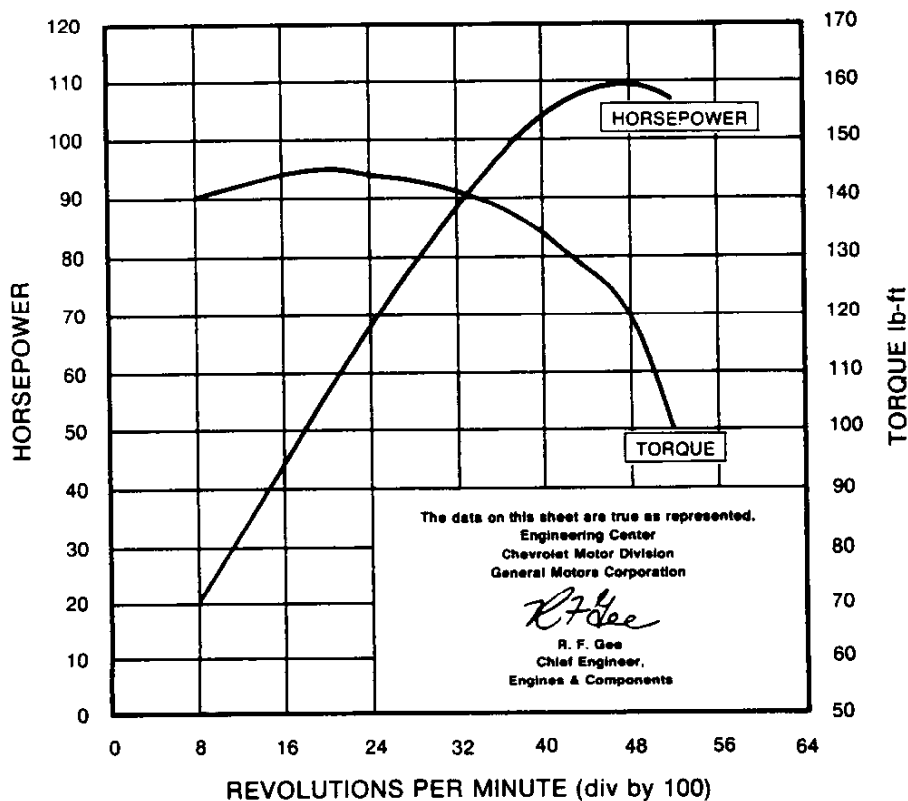
Test Procedures

These curves represent full-throttle performance as obtained from a dynamometer test simulating actual operating conditions when the engine is in the vehicle, with ratings corrected to barometric pressure of 29.32" mercury and 77°F dry air.



Engine Ratings

SAE net horsepower (77°F)	110 @ 4800 rpm
SAE net torque, lb-ft (77°F)	145 @ 2100 rpm



2.0 LITER (121 2-bbl) L4

SPECIFICATIONS

	2.0 Liter/121 2-bbl L4
Oil Capacity (qts)	
With filter change	4.35
W/o filter change	4.0
Oil Filter	
Standard	Full flow; throwaway type
Capacity (pt)	0.7
Oil Pump	
Type	Spur Gear
Capacity (gpm)	2.4 @ 2200 rpm
Normal Pressure (psi)	45 @ 2200 rpm
Pistons	
Type	Cam-ground
Material	Aluminum alloy
Skirt	Slotted with steel strut
Head	Flat
Piston Pins	
Type	Rod shrunk fit to pin
Material	Chromium steel
Piston Rings	
Compression Rings	
Number	2
Type	Upper - barrel; lower - inside bevel
Material	Upper - nodular iron; lower - cast iron
Oil Control Rings	
Number	1
Type	Multi-piece
Material	Chrome plated steel
Thermostat	
	Harrison; 195°F
Valve Train	
Type	Individually mounted rocker arms, push rod actuated
Tappets	Hydraulic
Valve Lash	Zero
Intake Valves	
Material	Alloy steel and chrome plated stems
Head Diameter (in)	1.60
Face Coating	None
Seats	Sintered iron inserted in cylinder head
Exhaust Valves	
Material	Alloy steel and chrome plated stems
Head Diameter (in)	1.38
Face Coating	None
Seats	Machined in cylinder head, induction hardened
Rotators	None
Water Pump	
Type	Centrifugal
Capacity (gpm)	13.5 @ 2000 rpm

2.0 LITER (121 2-bbl) L4

SPECIFICATIONS

		2.0 Liter/121 2-bbl L4
Basic Description		Four-cylinder in-line; valve-in-head with cast iron block
Displacement (liters/cu. in.)		2.0/121
Bore & Stroke (in)		3.50 x 3.15
Compression Ratio		9.3:1
Firing Order		1-3-4-2
SAE Net Horsepower @ rpm		83 @ 4600
SAE Net Torque (lb-ft) @ rpm		108 @ 2400
Air Cleaner		Replaceable paper element
Camshaft		
Intake Valve	Opens	14° BTDC
	Closes	62° ABDC
Exhaust Valve	Opens	53° BBDC
	Closes	23° ATDC
Intake Duration Ramp		256°
Exhaust Duration Ramp		256°
Carburetor		
Type		2-Barrel downdraft
Make		Rochester
Venturi ID (in)		Pri. - 1.10; sec. - 1.218
Throttle Bore (in)		Pri. - 1.38; sec. - 1.81
Choke Control		Automatic
Connecting Rods		
Material		Forged steel
Length (in)		5.307
Bearings		Steel-backed aluminum with overplate
Crankcase Ventilation		Closed positive
Crankshaft		
Material		Nodular Iron
Number of Counterweights		4
Main Journals (in)		2.49
Crankpin Journal (in)		2.0
Torsional Damper		None
Bearings		Steel-backed aluminum with overplate
Distributor		High Energy Delco Remy centrifugal & vacuum advance
Fuel Filters		
Carburetor		In-line throwaway type
Fuel Tank		Nylon mesh screen
Lubrication System		Controlled full pressure
Main Bearings		Direct pressure
Camshaft Bearings		Direct pressure
Connecting Rods		Direct pressure
Valves & Tappets		Pressure and Gravity
Cylinder Walls		Cross-sprayed throw-off from rod bearing
Piston Pins		Cross-sprayed throw-off from rod bearing

2.0 LITER (121 2-bbl) L4*

Ordering Code LQ2

Applications

Standard: S-10/15 Extended Cab Pickup; S-10/15 Blazer/Jimmy, S-10/15 4X4 Regular Cab

Optional: S-10/15 4X2 Regular Cab Pickup.
*Not available in California

Basic Specifications

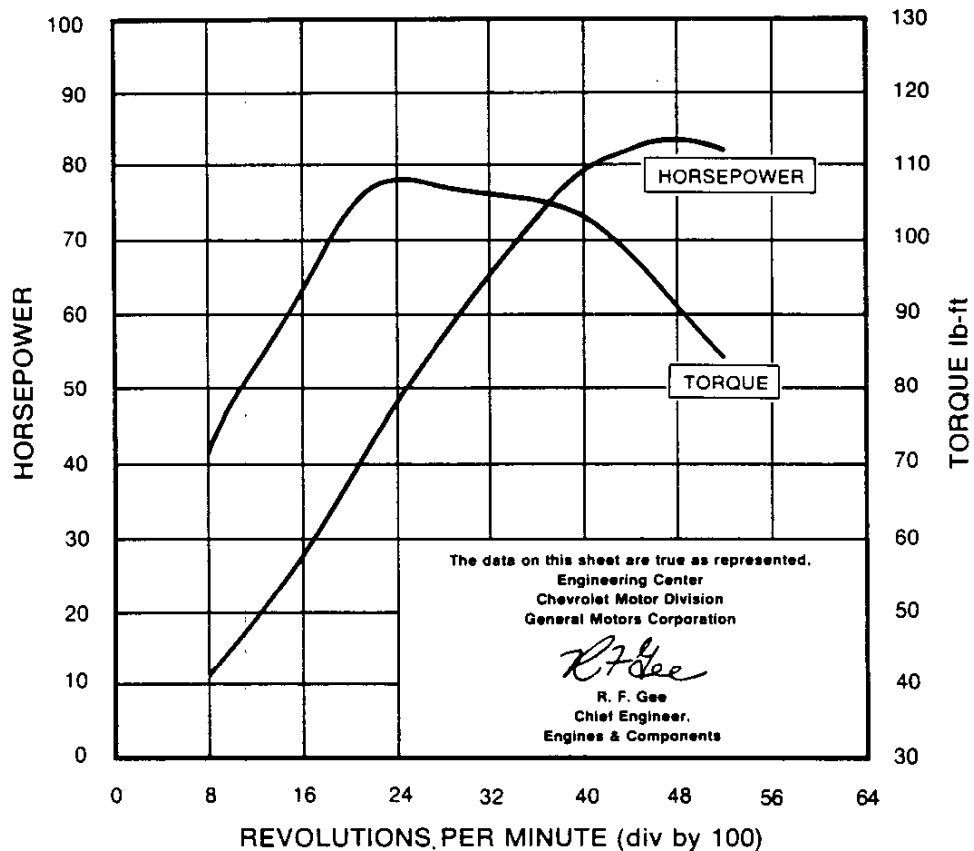
Engine type	Overhead Cam In-line 4
Piston displacement (Liter/Cu. In.)	2.0/121
Bore & stroke (nominal)	3.50 x 3.15
Compression ratio	9.3:1
Carburetor type	2-barrel
Exhaust	Single

Test Procedures

These curves represent full throttle performance as obtained from a dynamometer test simulating actual operating conditions when the engine is in the vehicle, with ratings corrected to barometric pressure of 29.32" mercury and 77°F dry air.

Engine Ratings

SAE net horsepower (77°F) 83 @ 4600 rpm
SAE net torque, lb-ft (77°F) 108 @ 2400 rpm



1.9 LITER (119 2-bbl) L4

SPECIFICATIONS

1.9 Liter/119 2-bbl L4	
Oil Capacity (qts)	
With filter change	4.2
W/o filter change	3.8
Oil Filter	
Standard	Full flow; throwaway type
Capacity (pt)	0.8
Oil Pump	
Type	Trochoid
Capacity (gpm)	3.70 @ 1400 rpm
Normal Pressure (psi)	57
Pistons	
Type	Cam-ground
Material	Aluminum alloy
Skirt	Tin plated full
Head	Concave
Piston Pins	
Type	Semi-Floating
Material	Case hardened steel
Piston Rings	
Compression Rings	
Number	2
Type	1st: taper face; 2nd: taper face, under-cut
Material	1st: Chrome plated cast iron; 2nd: Cast Iron
Oil Control Rings	
Number	1
Type	Multi-piece
Material	Chrome plated steel
Thermostat	Fuj;Thompson Wax pellet; 180°F
Valve Train	
Type	Overhead cam rocker arm acting
Tappets	Mechanical - adjustable
Valve Lash	In: .006 Exh: .010
Intake Valves	
Material	Alloy steel and chrome plated stems
Head Diameter (in)	1.587 - 1.591
Face Coating	None
Seats	Sintered iron inserted in cylinder head
Exhaust Valves	
Material	Alloy steel and chrome plated stems
Head Diameter (in)	1.335 - 1.339
Face Coating	None
Seats	Sintered iron inserted in cylinder head
Rotators	None
Water Pump	
Type	Centrifugal
Capacity (gpm)	4.2 @ 6000 rpm

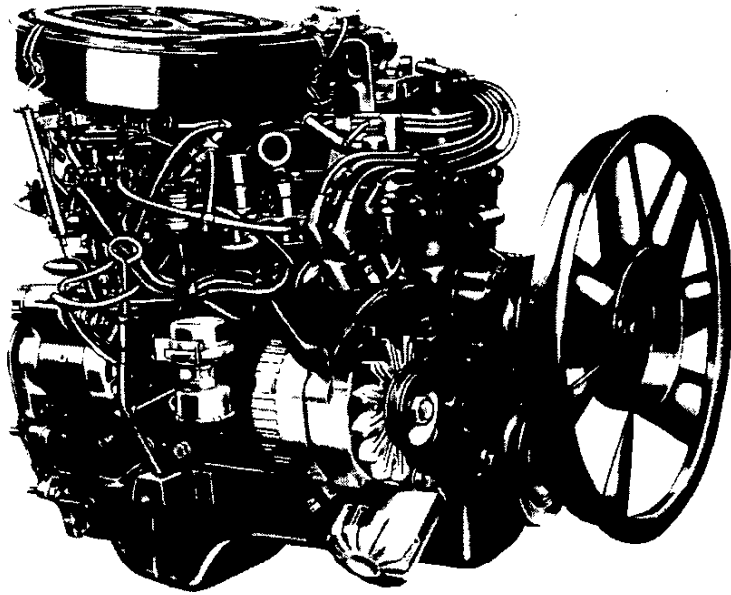
1.9 LITER (119 2-bbl) L4

SPECIFICATIONS

		1.9 Liter/119 2-bbl L4
Basic Description		Four-cylinder in-line; overhead cam with cast iron block and aluminum cylinder head
Displacement (liters/cu. in.)		1.9/119
Bore & Stroke (in)		3.42 x 3.23
Compression Ratio		8.4:1
Firing Order		1-3-4-2
SAE Net Horsepower @ rpm		82 @ 4600
SAE Net Torque (lb-ft) @ rpm		101 @ 3000
Air Cleaner		Replaceable wet-paper element
Camshaft		
Intake Valve	Opens	21° BTDC
	Closes	65° ABDC
Exhaust Valve	Opens	55° BBDC
	Closes	20° ATDC
Intake Duration Ramp		266°
Exhaust Duration Ramp		255°
Carburetor		
Type		2-Barrel downdraft
Make		Hitachi
Venturi ID (in)		Pri. - 9; sec. - 1.2
Throttle Bore (in)		Pri. - 1.181; sec. - 1.339
Choke Control		Automatic
Connecting Rods		
Material		Forged steel
Length (in)		5.2557-5.2561
Bearings		Steel-backed with tri-metal
Crankcase Ventilation		Closed positive
Crankshaft		
Material		Heat-treated forged steel
Number of Counterweights		4
Main Journals (in)		2.2016-2.2022
Crankpin Journal (in)		1.9262-1.9268
Torsional Damper		None
Bearings		Steel-backed with tri-metal
Distributor		Nippon Denso Co., Ltd.; centrifugal & vacuum advance
Fuel Filters		
Carburetor		In-line throwaway type
Fuel Tank		Nylon mesh screen
Lubrication System		Full pressure
Main Bearings		Direct pressure
Camshaft Bearings		Direct pressure
Connecting Rods		Direct pressure
Valves & Tappets		Gravity
Cylinder Walls		Splash
Piston Pins		Splash

1.9 LITER (119 2-bbl) L4

(Ordering Code LRT)



Applications

Standard: S-10/15 4X2 Regular Cab Pickups
 *Optional: S-10/15 4X2 Extended Cab Pickups;
 S-10/15 4X4 Pickups; S-10/15 Blazer/Jimmy
 *California only.

Basic Specifications

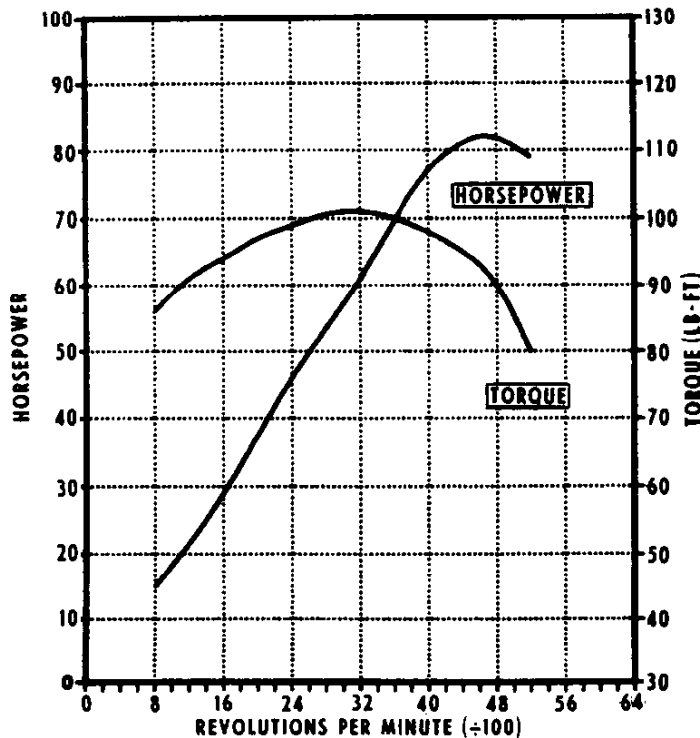
Engine type Overhead Cam In-line 4
 Piston displacement (Liter/Cu. In.) 1.9/119
 Bore & stroke (nominal) 3.42" x 3.23"
 Compression ratio 8.4:1
 Carburetor type 2-barrel
 Exhaust Single

Test Procedures

These curves represent full throttle performance as obtained from a dynamometer test simulating actual operating conditions when the engine is in the vehicle, with ratings corrected to barometric pressure of 29.32" mercury and 77°F dry air.

Engine Ratings

SAE net horsepower (77°F) 82 @ 4600 rpm
 SAE net torque, lb-ft (77°F) 101 @ 3000 rpm



ENGINE & COOLING

INDEX

ENGINES	Page
1.9 LITER (119 2-bbl) L4 ENGINE (S-10/15)	2
SPECIFICATIONS—1.9L/119 L4 ENGINE (S-10/15)	3, 4
2.0 LITER (121 2-bbl) L4 ENGINE (S-10/15)	5
SPECIFICATIONS—2.0L/121 L4 ENGINE (S-10/15)	6, 7
2.8 LITER (173 2-bbl) V6 ENGINE (S-10/15)	8
SPECIFICATIONS—2.8L/173 V6 ENGINE (S-10/15)	9, 10
3.8 LITER (229 2-bbl) V6 ENGINE (El Camino/Caballero)	11
3.8 LITER (231 2-bbl) V6 ENGINE (El Camino/Caballero)	12
SPECIFICATIONS—3.8L/229 & 3.8L/231 V6 ENGINES	13, 14
4.1 LITER (250 2-bbl) IN-LINE SIX ENGINE	15
4.8 LITER (292 1-bbl) IN-LINE SIX ENGINE	16
SPECIFICATIONS—4.1L/250 & 4.8L/292 IN-LINE SIX ENGINES	17, 18
5.0 LITER (305 4-bbl) V8 ENGINE (El Camino/Caballero)	19
5.0 LITER (305 4-bbl) V8 ENGINE w/ESC	20
5.0 LITER (305 4-bbl) V8 ENGINE	21
SPECIFICATIONS—5.0L/305 V8 ENGINES	22, 23
5.7 LITER (350 4-bbl) V8 ENGINE	24, 25
SPECIFICATIONS—5.7L/350 V8 ENGINES	26, 27
5.7 LITER (350 Cu. In.) V8 DIESEL ENGINE (El Camino/Caballero)	28
SPECIFICATIONS—5.7L/350 V8 DIESEL ENGINE	29, 30
6.2 LITER DIESEL ENGINE FEATURES	31, 32, 33, 34
6.2 LITER (379 Cu. In.) V8 DIESEL ENGINE	35, 36
SPECIFICATIONS—6.2L/379 V8 DIESEL ENGINE	37, 38
7.4 LITER (454 4-bbl) V8 ENGINE	39
SPECIFICATIONS—7.4L/454 V8 ENGINE	40, 41
 COOLING SYSTEMS	
SPECIFICATIONS—STANDARD	42
SPECIFICATIONS—OPTIONAL	43, 44, 45, 46, 47
 FUEL TANKS	
SPECIFICATIONS	48
 EMISSION CONTROLS	
EMISSION CONTROL EQUIPMENT	49, 50, 51, 52

ENGINE & COOLING

ADDITIONAL VALUE FEATURES (CONT'D)

Early Fuel Evaporation (Gasoline engine models)

- Vacuum motor closes exhaust manifold heat valve on cold engine
- Hot gases flowing around inlet manifold preheat incoming fuel
- Fast warm-up, good drivability.
- Used on most engines.

High Energy Ignition System (Gasoline engine models)

- Magnetic pulse generator, electronic module replace ignition points, condenser and rubbing block
- Coil design provides a spark up to 85% hotter than conventional system
- Solid-state design eliminates cost of replacing points, condenser
- Fires worn plugs
- Reduces cost of frequent plug replacement
- Fires lean or marginal mixtures
- Quick starts help reduce battery drain.

Catalytic converter (Gasoline engine models)

- Changes hydrocarbons and carbon monoxide to less harmful emissions
- Permits tuning engines for better drivability, increased fuel efficiency
- Stainless steel shell and exhaust pipe
- Standard on all pickups up to 8500 lbs. GVWR
- Requires use of unleaded fuel exclusively.

Coolant recovery system

- Excess coolant collects in reservoir, returns to radiator automatically when it cools
- Helps maintain proper coolant levels
- Standard on all C, K, G, P, S models.

NEW FOR 1983

- The optional 6.2 liter (379 CID) V8 diesel engine (RPO LH6 with light-duty emissions, and RPO LL4 with heavy-duty emissions) is now available on all G20/2500-30/3500 models, in addition to C/K/P models. This engine, introduced in 1982, is designed specifically for truck applications with heavy usage; it features heavy-duty construction with emphasis on fuel efficiency with excellent emission control characteristics.
- New S-10/15 engine:
RPO LQ2 2.0 Liter/121 Cu. In. L4 (not available in California)

ADDITIONAL VALUE FEATURES

1.9 Liter (119 Cu. In.) L4 engine (S-10/15 models only)

- 2-barrel carburetor
- Aluminum cylinder head
- Single overhead camshaft
- Hemispherical combustion chamber.
- Transistorized ignition.

2.8 Liter (173 Cu. In.) V6 engine (S-10/15 models only)

- 2-barrel carburetor
- 8.5 to 1 compression ratio
- More horsepower and torque for heavy-duty jobs and trailering applications.

4.1 Liter (250 Cu. In.) L6 engine

- Staged 2-barrel carburetor for more efficient performance
- Cylinder head with integral intake manifold for improved engine operation
- Dual-takedown exhaust manifold for less exhaust back-pressure
- Short stroke to reduce friction
- Features 7 main bearings for durability, 12-counterweight crankshaft and torsional dampeners for smoothness.

4.8 Liter (292 Cu. In.) L6 engine

- Larger displacement for added load-hauling agility
- Same engine used in medium-duty trucks for its durability. Features include: aluminum alloy pistons, forged steel connecting rods, aluminized face intake valves, stellite faced exhaust valves with rotators and hardened seats.

5.0 Liter (305 Cu. In.) V8 engine with Electronic Spark Control

- Good performance, efficient operation on unleaded fuel
- Horsepower and torque ratings similar to the 5.7 liter V8
- High 9.2 to 1 compression ratio
- Electronic spark control unit eliminates spark knock by adjusting spark advance automatically.

5.7 Liter (350 Cu. In.) V8 engine

- Available for higher all-around performance requirements
- Four-barrel carburetor provides added power when needed
- Comes with cast-iron 4.00-in.-bore cylinder case with forged steel connecting rods.

7.4 Liter (454 Cu. In.) V8 engine

- Available for big loads and heavy towing. This high-torque 454 V8 with a 4-barrel carburetor operates on regular grade gasoline. Camshaft is designed for added efficiency.

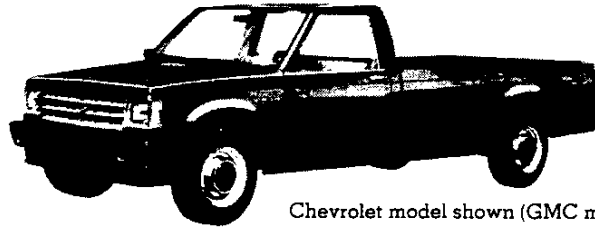
NOTES

S-10/15 PICKUP 2- & 4-WHEEL DRIVE

SOLID AND TWO-TONE* EXTERIOR COLOR COMBINATIONS

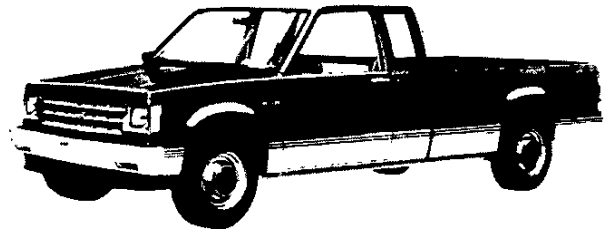
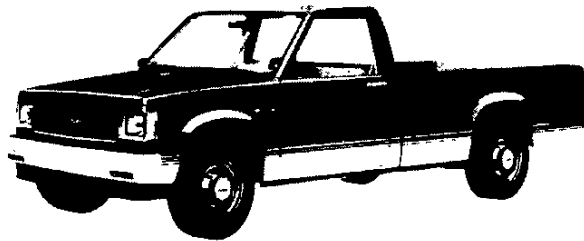
- The application of paint for solid and two-tone exterior color combinations is shown below.

Solid paint (ZY1) is standard on all models (except Sport/Gypsy). All painted areas of the cab, front end sheet metal, and box are the same color. Tailgate lettering for base and Durango/High Sierra models is silver when Midnight Blue, Midnight Black, or Apple Red exterior colors are specified and black for all other exterior colors.

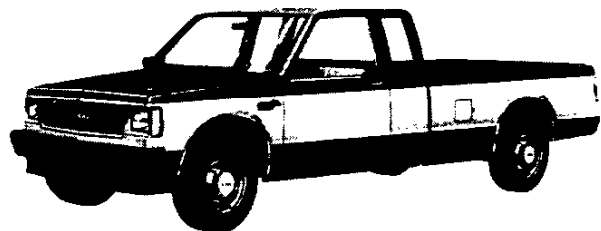
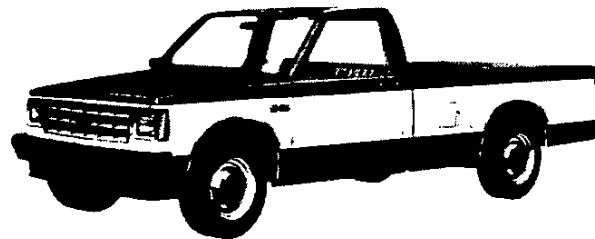


Chevrolet model shown (GMC model available)

Sport two-tone paint (ZY7), which provides a lower accent two-tone scheme, is available on base, Durango/High Sierra and Tahoe/Sierra Classic models, and is included when the Sport/Gypsy Model Option (YC3) is ordered. When ordered on base models, Painted Front Bumper (VT3) or Chromed Front Bumper (VG3) must be ordered. A wide, four stripe decal is included on base and Durango/High Sierra models, and is applied below the lower styling crease lines. The decal color matches the secondary paint choice, and is applied over the paint break line in such a way that the primary color paint shows through the clear areas to contrast with the decal colors. The primary color choice is applied to the areas above the bottom stripe of the decal, and the secondary color is applied to the areas below the decal. RPO B84 Body Side Moldings may be ordered with ZY7 on base and Durango/High Sierra models, if desired (at extra cost), and will replace the striping decal. Tailgate lettering for base and Durango/High Sierra models is silver when Midnight Blue, Midnight Black, or Apple Red exterior colors are specified and black for all other exterior colors.

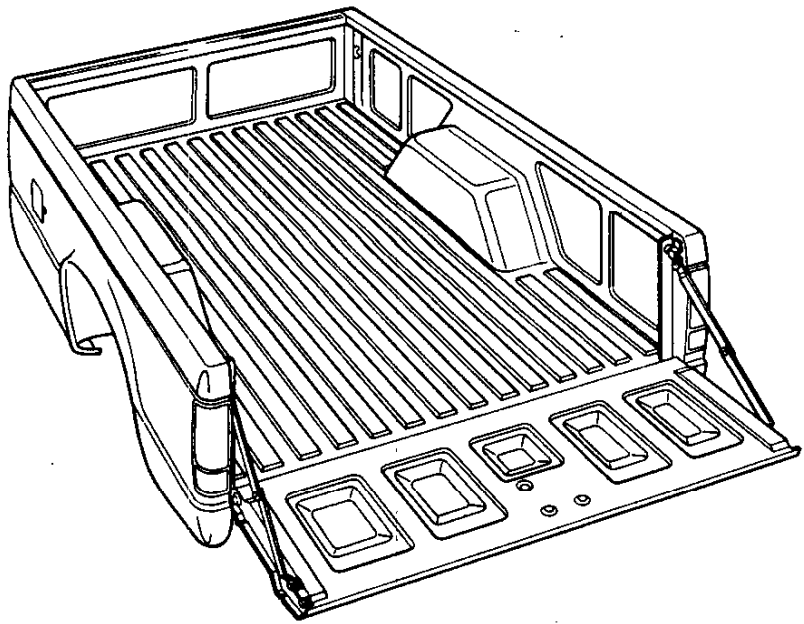
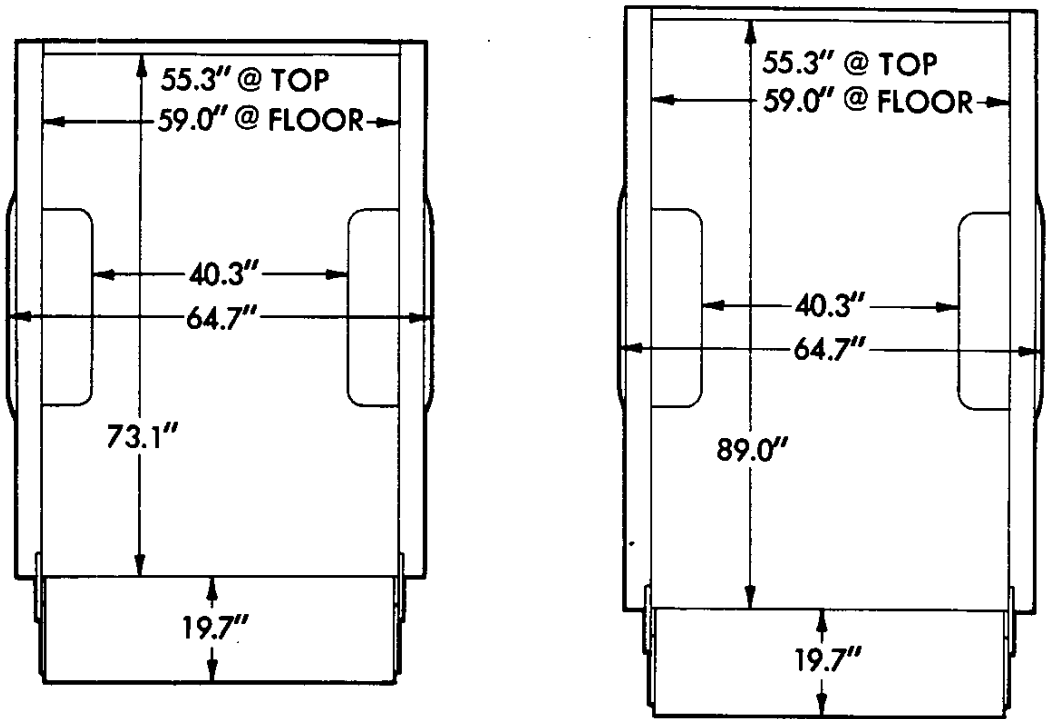


Special two-tone paint (ZY8), which provides a mid-accent two-tone scheme, is available on base, Durango/High Sierra and Tahoe/Sierra Classic models. When ordered on base models, Painted Front Bumper (VT3) or Chromed Front Bumper (VG3) must be ordered. B84 body side and wheel opening moldings are included (except on Tahoe/Sierra Classic models where already included) which are applied below the lower styling crease lines. The areas below the molding and above the belt styling crease line are painted the primary paint color. The areas between the molding and the belt styling crease line are painted the secondary color. Tailgate lettering for base and Durango/High Sierra models is silver when Midnight Blue or Apple Red secondary exterior colors are specified and black for all other secondary colors.



*Optional at extra cost

**S-10/15 PICKUP 2- & 4-WHEEL DRIVE
PICKUP BOX
Body Ordering Code E63
DIMENSIONS**



The all steel, welded pickup box is built in both 6- and 7.5-foot nominal lengths with approximate 35 and 43 cubic ft. capacities respectively. Integral skid strips are incorporated into the load floor. Vertical rear lamps with bright bezels are incorporated into the corner posts. Double-walled construction is used in the side panels and tailgate to prevent load dents from marring the appearance of the outer panels.

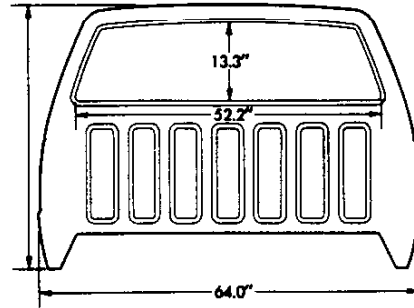
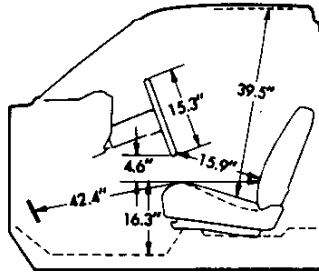
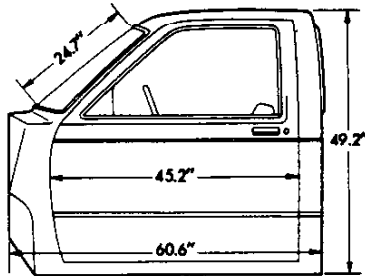
The ELPO electro-coating process is used to prime the completely assembled cargo box to assure that all surfaces of all components — even surfaces not visible — receive a coat of prime paint. Side outer panels and tailgate are fabricated of zinc coated steel and galvanized steel is used for platform panels and rear wheel housings to provide additional corrosion protection.

A tight-fitting full-width tailgate holds such loads as grain and sand with minimal loss. It is operated by a mechanically actuated latch and retained in the horizontal position by hinged steel support straps. The tailgate latch features one-hand operation for easy opening and closing.

The vertical structural support welded into each corner of the pickup box has a round metal loop at the upper end to serve as a cargo tie-down.

S-10/15 PICKUP 2- & 4-WHEEL DRIVE

CAB DIMENSIONS*



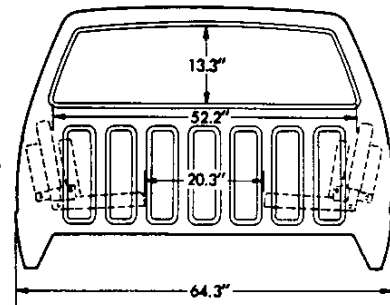
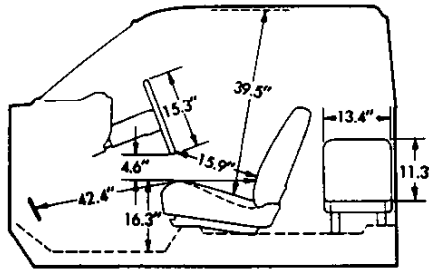
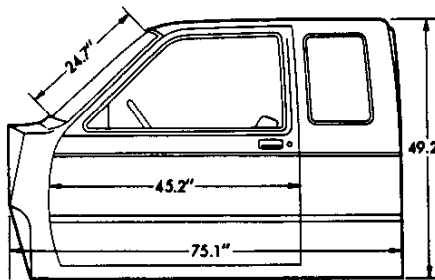
Glass Area (sq in)

Windshield 1138.5

Front side door window
(each side) 409.5

Rear side windows
(each side) 150.0

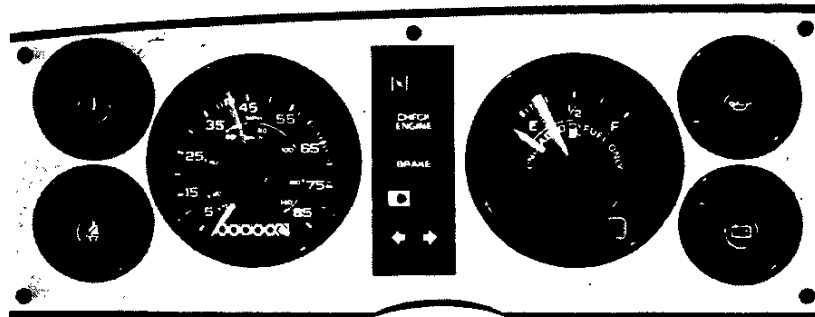
Rear window 617.5



*All interior dimensions measured with front seat in rearmost position. Seat travel is 5"

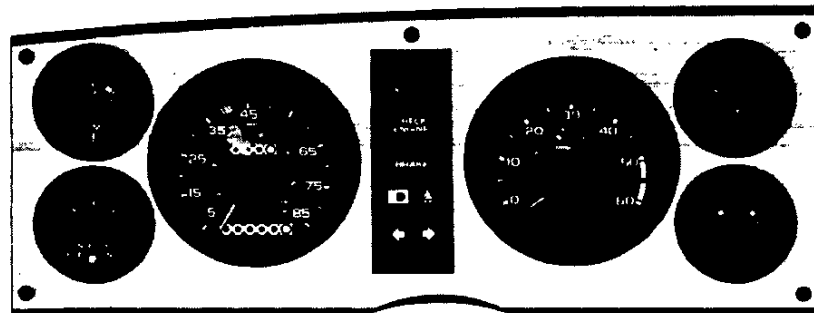
INSTRUMENT CLUSTER

Standard Cluster with warning lights for engine temperature, generator, and oil pressure.



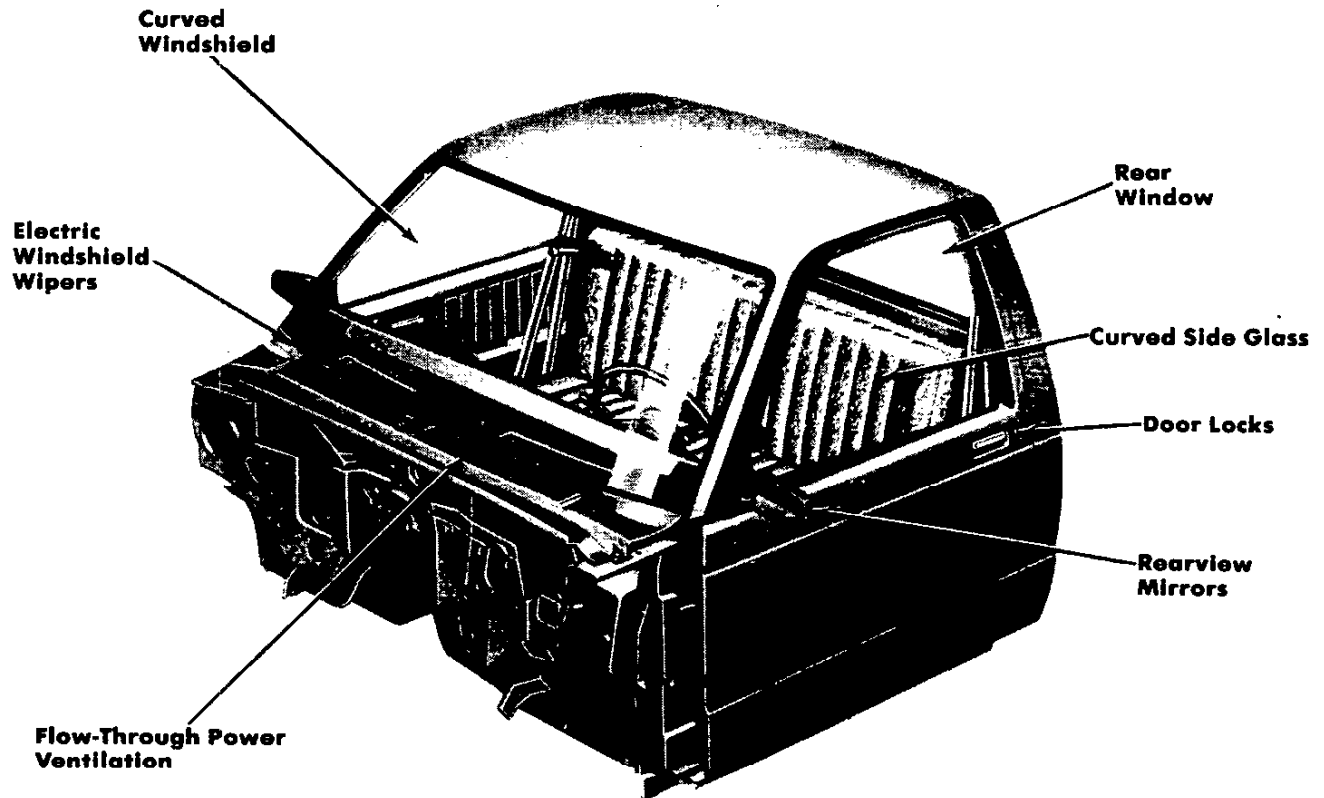
Optional Cluster (RPO Z53) with voltmeter, engine temperature gage, oil pressure gage and trip odometer. Included in Tahoe/Sierra Classic model options (RPO YC2) and Sport/Gypsy model options (RPO YC3) along with bright brush-finished trim, as illustrated. Cluster faceplate for standard models and Durango/High Sierra model options (RPO YC1) has argent finish. When the optional tachometer is ordered, it replaces the regular fuel gage, and another fuel gage is added.

Optional tachometer also shown in illustration.



S-10/15 PICKUP 2- & 4-WHEEL DRIVE

STANDARD CAB FEATURES



Curved Windshield—The large, one-piece windshield of laminated safety glass is urethane bonded into the windshield frame and has an area of approximately 1138.5 square inches for excellent visibility.

Curved Rear Window—The rear window is of solid tempered safety glass and is curved to prevent road reflections on the inside rear view mirror. It has a 617.5 square inch area.

Electric Windshield Wipers—High-capacity, 2-speed motor provides constant wiping action regardless of engine load or accelerator

position. Wipers have 16-inch blades. Wiper arms and the metal portions of the blades have a low gloss black finish. Electric washers with a 5.7-pint capacity reservoir are also standard. A "Fluidics" washer nozzle assures efficient washing action.

Curved Side Glass—Curved door windows are of solid tempered safety glass with an area of 409.5 square inches for each side.

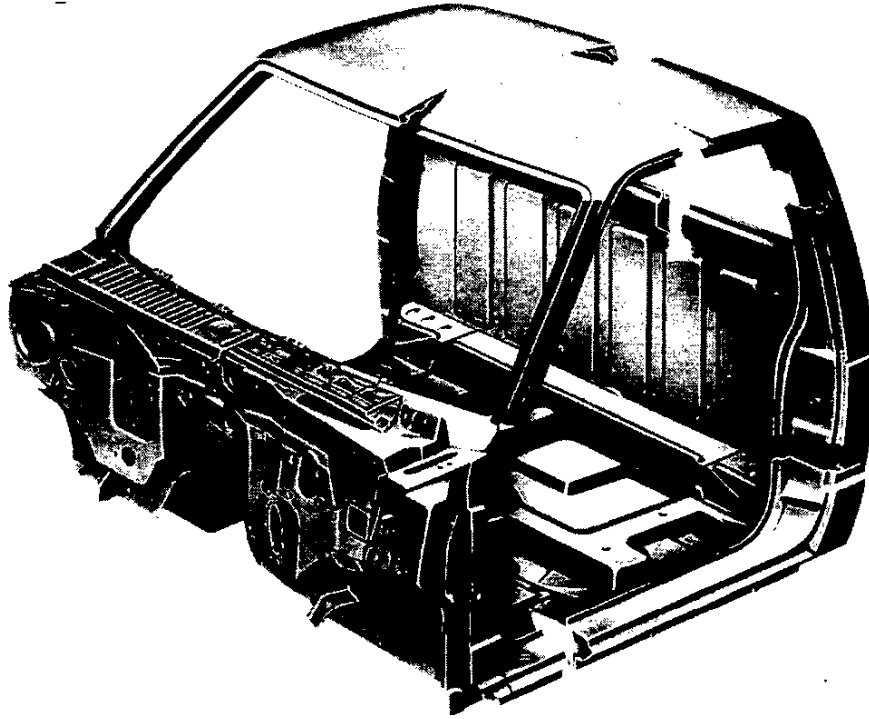
Rearview Mirrors—Standard chrome exterior mirrors are of the fixed arm type with 6½" wide x 4" high adjustable aerodynamic

heads and a low gloss black finish. Both right-hand and left-hand units are provided, with convex glass used for the RH mirror.

Optional mirror combinations are also available. See the Optional Equipment listing.

Door Locks—All cab models include left & right hand key-operated (front) door locks as standard equipment. Actuation of inside lock levers prevents accidental door opening and provides keyless door locking when leaving the vehicle. Door lock key is separate from the ignition key for theft protection.

S-10/15 PICKUP 2- & 4-WHEEL DRIVE



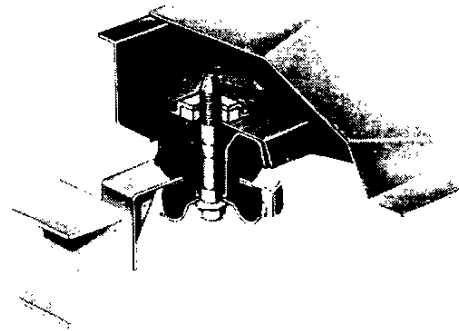
Cab Construction

Two cab configurations are used; the regular cab and the extended cab. Both are 2-door cabs, but the extended cab has approximately 14.6" of added space behind the 3 passenger seat. Provisions are made to enable the addition of 2 optional jump seats if desired. Both utilize all-steel, welded construction. A plenum chamber with high level, screened air intake is incorporated in the front end structure for interior ventilation. Single-wall

construction is utilized throughout the remainder of the cab except in the upper back panel area. A cathodic ELPO primer is used throughout and coated steel is used in most areas to reduce sheet metal corrosion. Body joints are filled with pumpable sealer. A 4-point mounting system is utilized for the cab, and the radiator support is mounted on frame outriggers.

Cab Mountings

All mounts are the double rubber biscuit type.

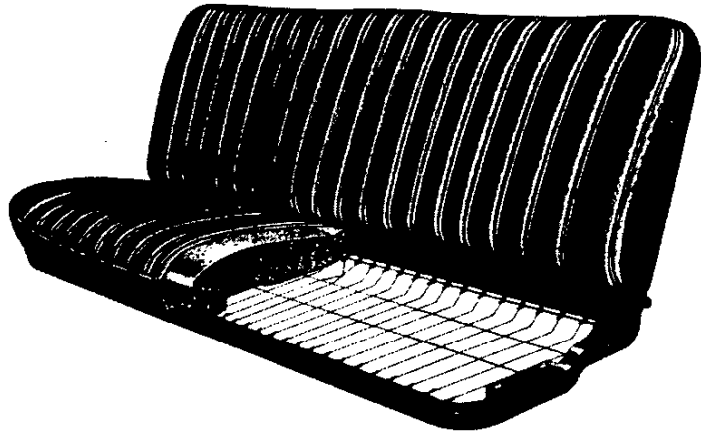


S-10/15 PICKUP 2- & 4-WHEEL DRIVE

PICKUP SEATS

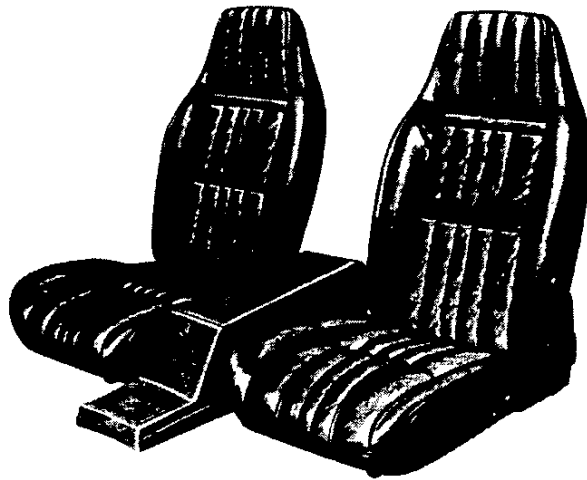
STANDARD FULL-DEPTH FOAM SEAT

Molded polyurethane foam pads over a steel cushion spring and frame assembly and a backrest frame assembly provide resilient support for driver and passengers, with an extra-thick pad employed for the cushion. A folding type backrest with inertia latch is used, providing convenient access to the stowage area behind the seat. Seats are adjustable fore and aft. Trim is durable, easy-to-clean vinyl.



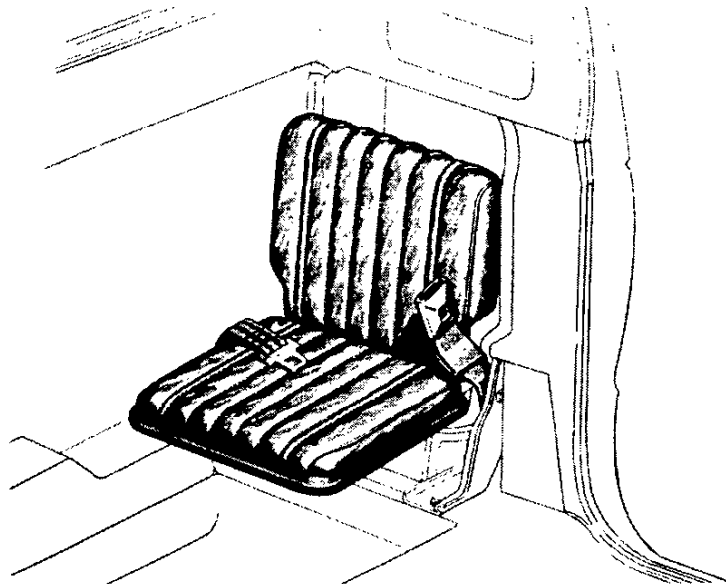
FRONT BUCKET SEATS (Custom Vinyl Seat Trim Shown)

This option consists of two high back bucket-type seats with foam padding and folding backrests with inertia latches. They are standard on Extended Cab models when the Tahoe/Sierra Classic Model Option is ordered and on Sport/Gypsy Models, and are available for all other models. A lockable color-keyed plastic center console with spacious stowage compartment is available when bucket seats are ordered on base, Durango/High Sierra, or Tahoe/Sierra Classic models. This console is included with the Sport/Gypsy Model Option.



FOLDING JUMP SEATS

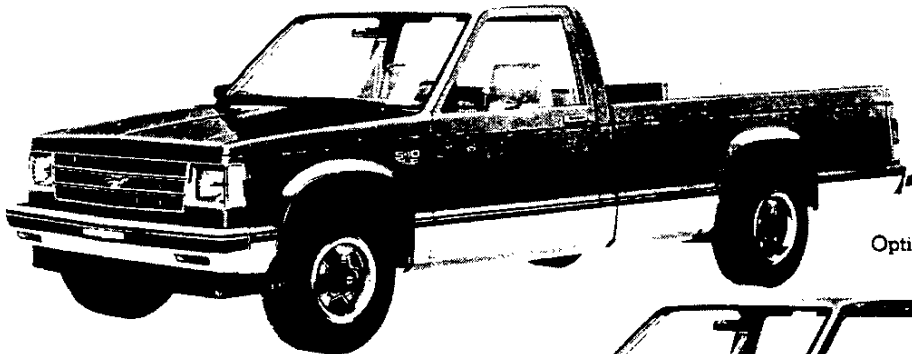
This option consists of two folding jump seats mounted on Extended Cab rear side-walls. They may be left folded for cargo carrying or unfolded to carry two additional passengers. Bucket Seats are required when this option is ordered, and they are included when Tahoe/Sierra Classic or Sport/Gypsy is ordered on Extended Cab models. Trim on these seats is always Custom Vinyl.



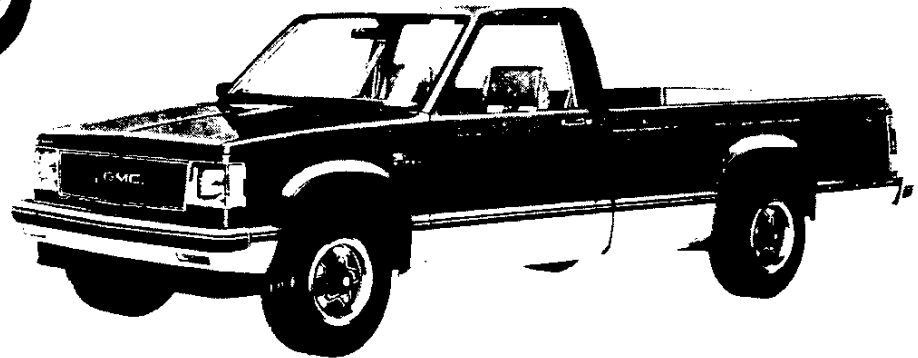
S-10/15 PICKUP 2- & 4-WHEEL DRIVE

SPORT/GYPSY MODEL OPTION—RPO YC3

This option includes all items in the Tahoe/Sierra Classic model option plus the additions or substitutions listed below



Optional rear bumper shown in illustration



EXTERIOR

- **Bright Appearance Items:**

- "Sport/Gypsy" nameplates with series designation on front fenders
- Wheel trim rings
- Hubcaps (4-wheel drive models only)
- Delete bright wheel opening lip moldings

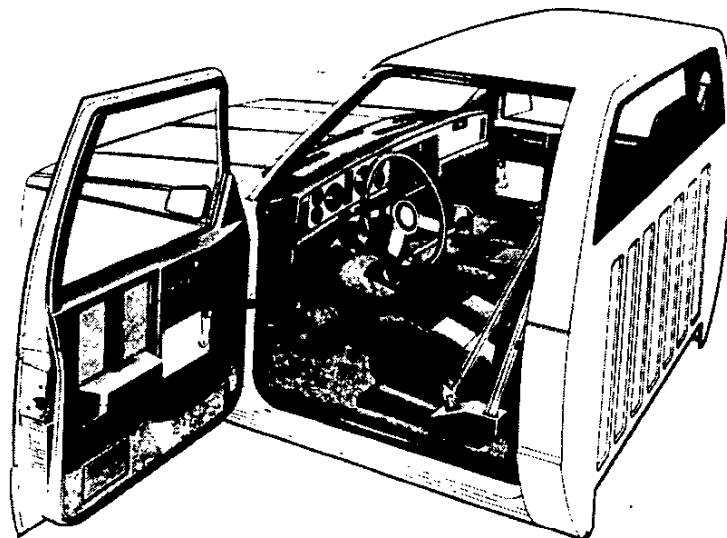
- **Bumper:** Color-keyed to lower accent color, with black rub

strips

- **Two-Tone Paint:** ZY7 lower-accent paint

- **Wheels:** Styled; painted argent with black trim; includes bright wheel trim rings and black ornamental hubs (2-wheel drive models); Argent painted wheels w/hub caps and trim rings (4-wheel drive models)

- **Wheel Opening Lip Moldings:** Black plastic



INTERIOR

- **Bright Appearance Items:**

- "Sport/Gypsy" nameplate on stowage box door
- Trim on steering wheel

- **Door Trim Panels:** Special cloth insert to match seat trim

- **Seats:** High back buckets with choice of: 1) sport cloth trim; or 2) High Country sheepskin trim (at extra cost); includes

locking console between seats; lock operated by door key. See Interior and Exterior Color Selection Chart for color and trim availability.

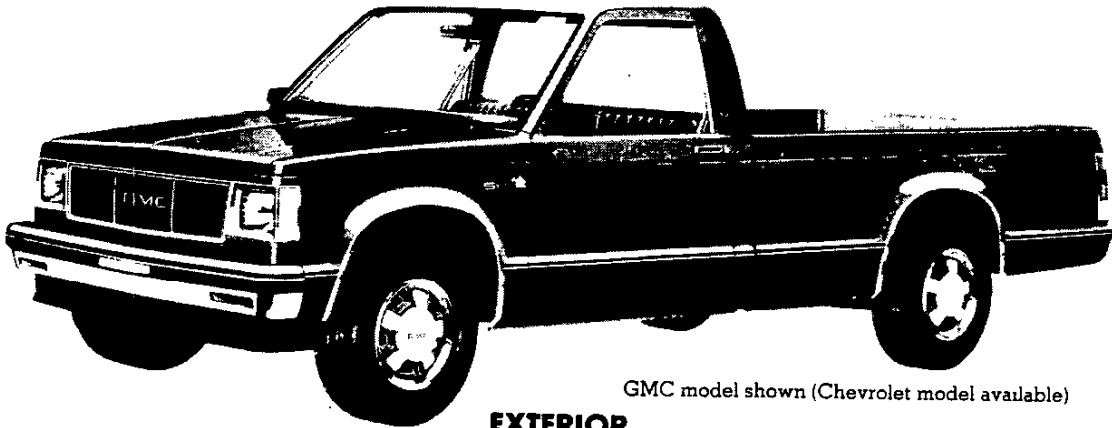
Note: Extended Cab models also have two jump seats as described in the Tahoe/Sierra Classic Model Option

- **Steering Wheel:** Color-keyed sport type with bright shroud

S-10/15 PICKUP 2- & 4-WHEEL DRIVE

TAHOE/SIERRA CLASSIC MODEL OPTION—RPO YC2

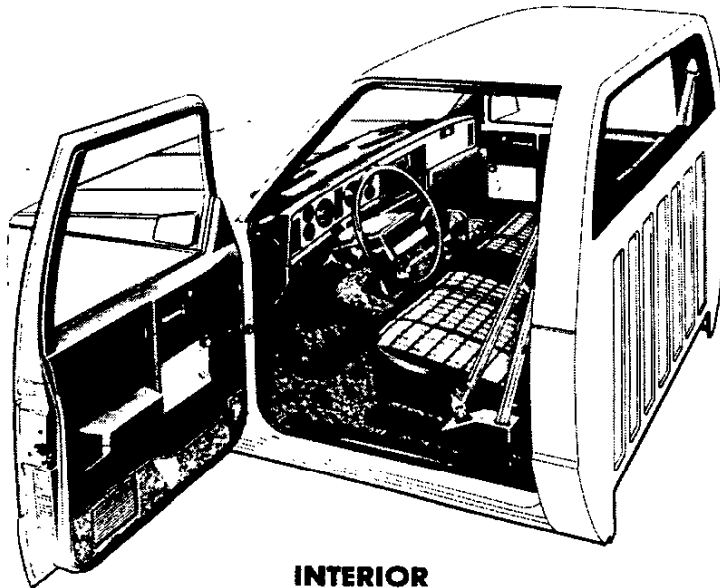
This option includes all of the Durango/High Sierra model option items plus the additions or substitutions listed below



GMC model shown (Chevrolet model available)

EXTERIOR

- **Bright Appearance Items:**
 - "Tahoe/Sierra Classic" nameplates with series designation on front fenders
 - Body side molding trim
 - Bright applique panel fitted over central area of tailgate with black "Chevrolet/GMC" lettering and trim
 - Bright wheel opening lip moldings
 - Wheel covers (2-wheel drive models); Hub caps and trim rings (4-wheel drive models)
 - Delete wheel trim rings (2-wheel drive models only)
- **Cab-to-Fender Insulators**
- **Door Handle Inserts:** Body color
- **Hood Insulator**
- **Moldings:** Black plastic body side moldings with bright insert
- **Tailgate Trim:** Black applique with bright "Chevrolet/GMC" lettering and trim
- **Wheels:** Painted black (2-wheel drive models); Painted argent (4-wheel drive models)



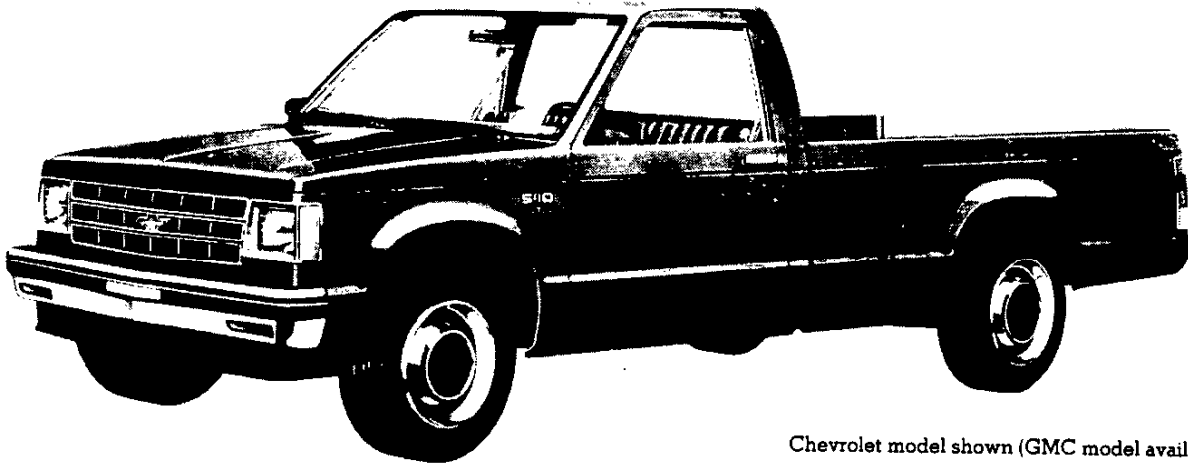
INTERIOR

- **Bright Appearance Items:**
 - "Tahoe/Sierra Classic" nameplate on stowage box door
 - Trim on instrument cluster bezels
 - Trim on door trim panels
- **Door Trim Panels:** Custom cloth insert plus brush-finished applique in regulator area; carpeted lower insert with pocket, plus coin holder in LH door
- **Floor Covering:** Color-keyed carpeting for entire floor area and on cab back panel
- **Headliner:** Full coverage molded styrene; full foam with color-keyed cloth cover
- **Instrument Cluster:** Voltmeter, oil pressure gage and engine temperature gage replace warning lamps; also includes trip odometer
- **Instrument Cluster Bezel:** Brushed aluminum with bright trim
- **Insulation and Sound Deadening Material:** On plenum panels (part of specific dash mat), under floor and cab back panel carpeting, on floor and cab back panel carpeting, extrathick on headliner, on door trim panels, and on lower portion of instrument panel
- **Seats:** Choice of: 1) all vinyl leather grain trim; 2) ribbed pattern velour cloth/vinyl trim; or 3) High Country Sheepskin high back bucket seats (at extra cost). On extended cab models only; Bucket seats with folding back rest replace standard bench seat; 2 all-vinyl leather grain jump seats mounted to rear compartment side walls. See Interior and Exterior Color Selection Chart for color and trim availability
- **Trim Panels and Moldings:** Color-keyed cowl kick panels; upper and lower rear quarter panels; lower backlight molding, and jack cover
- **Visor Mirror:** On RH sun visor

S-10/15 PICKUP 2- & 4-WHEEL DRIVE

DURANGO/HIGH SIERRA MODEL OPTION—RPO YC1

This option includes all standard model items plus the additions or substitutions listed below



Chevrolet model shown (GMC model available)

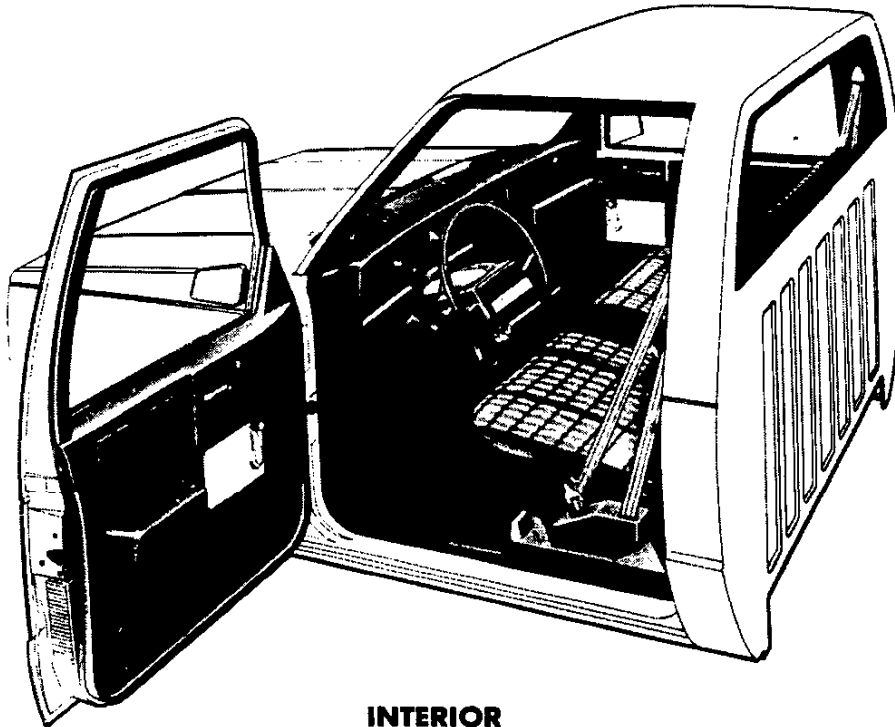
EXTERIOR

- **Bright Appearance Items:**

- "Durango/High Sierra" nameplates with series designation on front fenders
- Front bumper (Includes black rub strip)
- Trim on bumper rub strips

- Trim on grille
- Taillamp trim
- Wheel trim rings

- **Lettering, Tailgate:** Same as for standard model except reflectorized (reflects at night)



INTERIOR

- **Bright Appearance Items:**

- "Durango/High Sierra" nameplate on stowage box door
- Dome lamp trim
- **Cigar Lighter:** With ashtray light
- **Dome Lamp:** With bright trim
- **Dome and Interior Lamp Switches:** Door-operated (dome and interior lamps also may be activated by main light switch)
- **Door Trim Panels:** Color-keyed embossed molded plastic to match instrument panel pad, with black trim plate in regulator area
- **Floor Covering:** Color-keyed rubber mat for entire floor area

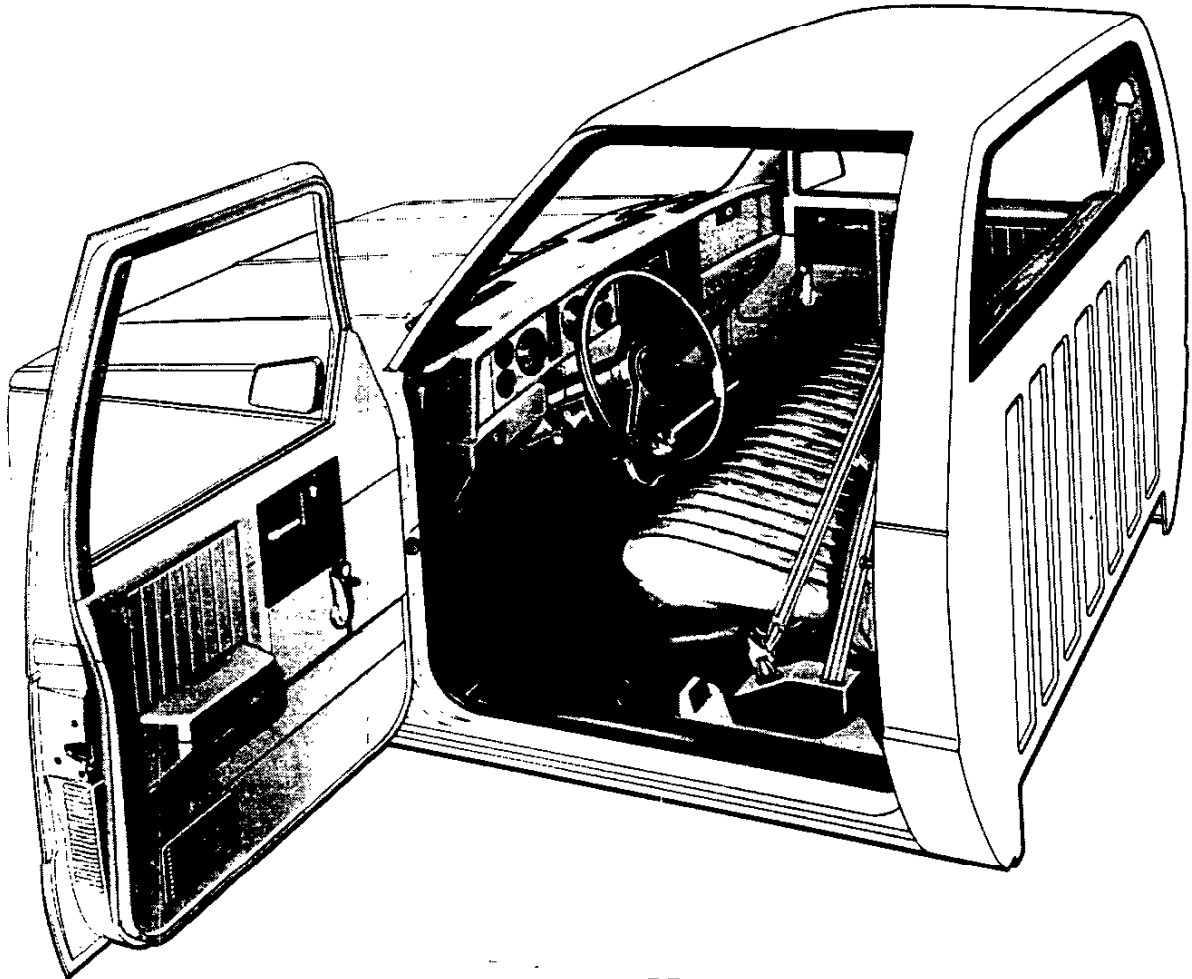
- **Headlamp Warning Buzzer**

- **Heater and Defogger:** Heavy-duty outside air type with power center and outboard instrument panel vents and side window defoggers
- **Insulation and Sound Deadening Material:** Under floor mat
- **Instrument Panel:** Color-keyed
- **Seats:** See Interior and Exterior Color Selection Chart for color availability. Choice of: 1) ribbed pattern velour cloth/vinyl trim; or 2) all-vinyl leather grain trim
- **Steering Wheel and Column:** Deluxe; color-keyed
- **Stowage Box Light**

S-10/15 PICKUP 2- & 4-WHEEL DRIVE

STANDARD MODEL—FEATURES

The standard models include the following items as standard equipment



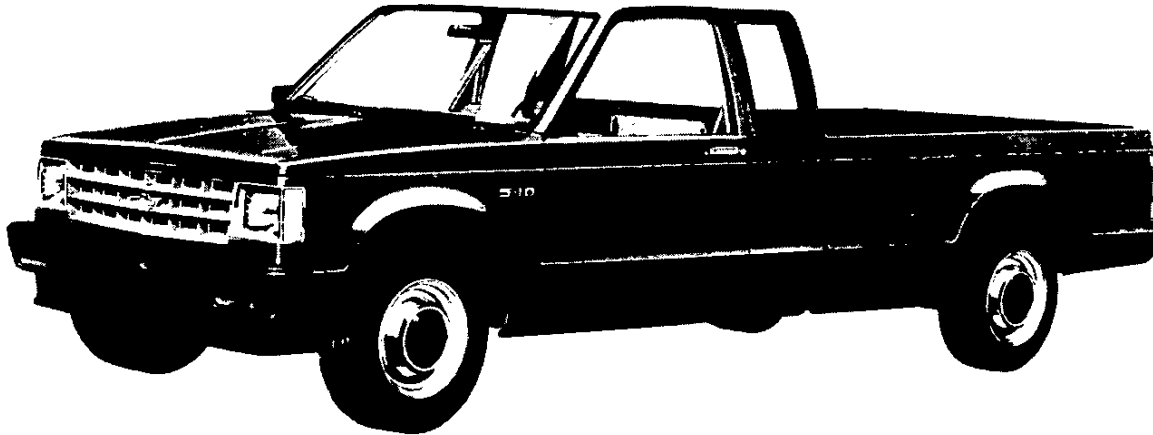
INTERIOR

- **Armrests:** RH and LH padded; integral with door trim panels
- **Ashtray:** In middle of instrument panel
- **Coat Hook:** RH side
- **Colors:**
 - Painted areas: Same as exterior primary color choice
 - Interior trim: Coordinated with seat trim color choice
- **Door Sill Plates:** Door-opening protection and floor mat retention; full-length; black plastic
- **Door Trim Panels:** Color-keyed, embossed molded plastic with integral armrests
- **Floor Covering:** Embossed black rubber mat for front floor area
- **Headliner:** Color-keyed; partial roof coverage; styrene laminate with thin foam and vinyl cover
- **Heater and Defogger:** Conventional outside air type
- **Hood Lock Release:** Handle located on LH side of instrument panel
- **Instrument Cluster Bezel:** Argent finish with bright trim
- **Instruments:**
 - Gages: Speedometer, odometer and fuel
 - Switches: Main, for control of exterior lights, instrument cluster lights, and cab interior lights; combination steering column switch for direction signals by moving lever up and down, headlamp beams by moving lever fore and aft, and windshield wiper and washer by turning lever to wipe and pressing lever in to wash; hazard warning; heater fan
 - Warning lights: Generator, oil pressure, engine temperature, seat belt, service-parking brake, direction/hazard signal, and high beam
- **Instrument Panel Control Knobs:** Soft black plastic (except heater and wiper-washer controls) with white graphic identification
- **Instrument Panel Pad:** Color-keyed, energy-absorbing foam type with injection molded plastic substrate
- **Insulation and Sound Deadening Material:** On dash (fire-wall), under floor mat, spray deadener inside of doors, plugs on windshield pillars, on roof underside, and on headliner
- **Lights:** Instrument cluster and cab interior light
- **Mirror, Rearview:** 10" prismatic with soft vinyl rim
- **Pillar Trim Moldings:** Color-keyed molded plastic on windshield pillars
- **Seats:** Full-width, full depth foam bench-type with folding backrest. See Interior and Exterior Color Selection Chart for color and trim availability
- **Seat Belts:** Non-detachable combination lap and shoulder belts for outboard positions with emergency-locking retractors; lap belt with manual adjustment for center position. All seat belts are color-keyed with pushbutton type buckles
- **Steering Wheel and Column:** 15¼" black, soft plastic wheel with 2 spokes; black energy-absorbing steering column with anti-theft locking feature
- **Storage Box:** In RH side of instrument panel; with bright key-operated lock and "S-10/S-15 Sierra" nameplate; lock operated by door key
- **Sunshades:** RH and LH padded; color-keyed
- **Tools:** Mechanical jack and wheel wrench behind seat on RH side

S-10/15 PICKUP 2- & 4-WHEEL DRIVE

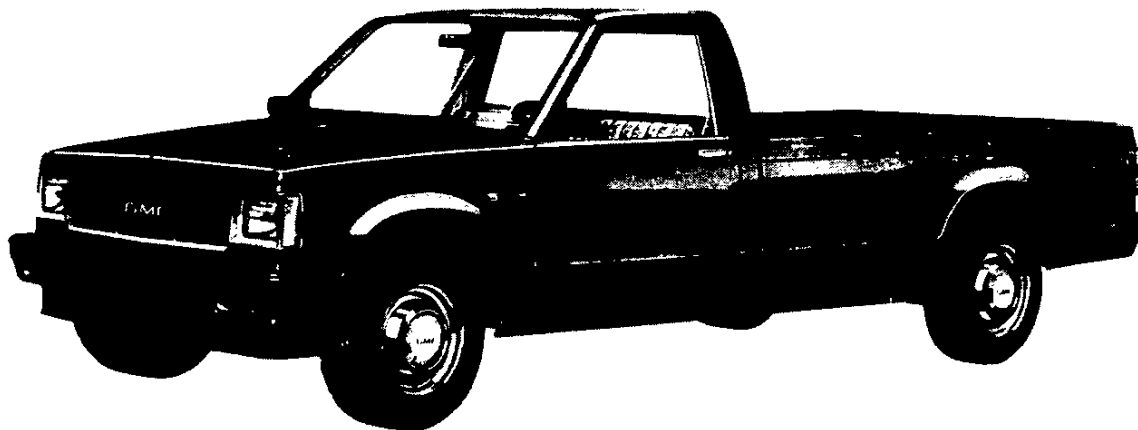
STANDARD MODEL—FEATURES

The standard models include the following items as standard equipment



EXTERIOR

- **Bumper:** Front; painted low-gloss black; incorporating parking lamps
- **Color:** See Interior and Exterior Color Selection Chart
- **Grille:** Molded plastic; painted black; integral Chevrolet emblem/GMC letters at center of grille
- **Glass:** Tinted, all windows (Extended cabs only)
- **Headlamp-Parking Lamp Bezels:** Molded plastic with chromed finish and black trim
- **Horn:** Single, electric, high-note
- **Hub Caps:** Bright metal with black trim
- **Keys:** Two-key system; with separate keys for ignition switch and door locks
- **Lettering, Tailgate:** Black or silver decal on embossed Chevrolet/GMC letters depending on exterior color
- **Lights:**
 - Backup lamps: Two rear (integral with taillamps)
 - Combination parking/direction/hazard: Two front
 - Combination tail/stop/direction/hazard: Two rear
 - Headlamps: Two, rectangular
 - License plate lamp: Single rear
 - Side marker lamps with reflectors: Two front; two rear (integral with taillamps)
- **Mirrors:** RH and LH fixed arm with adjustable 6½" wide x 4" high aerodynamic heads; low gloss black finish. RH mirror is convex
- **Moldings:** Low-gloss black windshield and rear window
- **Nameplates:** Bright "S-10/S-15 Sierra" nameplates on front fenders near doors
- **Pickup Box:** Steel floor, welded double wall construction; painted body color
- **Spare Tire Carrier:** Winch-type; mounted under frame at rear
- **Wheels:** Painted argent
- **Windshield Wipers and Washers:** Electric, 2-speed wipers with low-gloss black finish on exposed metal portions; coordinated washer with fluidic oscillator at center of plenum inlet grille



S-10/15 PICKUP 2- & 4-WHEEL DRIVE

**CAB & BODY FEATURES
CAB CONSTRUCTION
CAB DIMENSIONS
COLOR & TRIM CHARTS
TWO-TONES**

S10/15 2 AND 4 WHEEL DRIVE PICKUP

OPTIONS AND ACCESSORIES WHEN INSTALLED BY GENERAL MOTORS

Prices shown are effective with initial shipment of 1983 model motor vehicles

Description	Option Number	Factory D&H(a)	List Price	Mfr's Suggested Retail Price◇
OTHER OPTIONS				
Tank, Fuel: LH Frame Mounted. Replaces Standard Production Fuel Tank. Approximately 20-gallon capacity. Not available when Z07 Special Economy Truck is specified.	NK2	N.A.	45.00	45.00
Towing Device: Two front hooks. T1 Series only. Included when Z71 Chassis Equipment is specified.	V78	N.A.	35.00	35.00
Trailer Special: Heavy-Duty. Not available when Z07 Special Economy Truck is specified. Available only when LR2 2.8 Liter Engine, MX0 Transmission, N40 Power Steering, 3.42 or 3.73 Rear Axle Ratio, V02 Radiator and Transmission Oil Cooler and C3A or C3C Payload Capacity Option are specified. Also requires K81 66-Amp Generator when C60 Air Conditioning or V10 Cold-Climate Package is not specified. 3.73 Rear Axle Ratio available only when KC4 Engine Oil Cooler is specified. Includes 7-lead wiring harness, weight distributing hitch platform and H.D. flasher.	Z82	N.A.	193.00	193.00
Wheel Trim: <i>Trim Rings.</i> Not available when YC2 or Z07 Special Economy Truck is specified. Included when ZJ7 Styled Wheels, Z71 Chassis Equipment, YC1 or YC3 is specified.	P06	N.A.	54.00	54.00
<i>Wheel Covers.</i> S1 Series only. Not available when P06 Trim Rings, YC3 or ZJ7 Styled Wheels are specified. Included when YC2 or Z07 Special Economy Truck is specified.	P01	N.A.	39.00	39.00
Without YC1	P01	N.A.	(-15.00)	(-15.00)
With YC1				
Wheels: Not available when Z07 Special Economy Truck is specified.				
<i>Aluminum.</i> Cast. Wheel size 7". Four wheels only. T1 Series only.				
Without YC1, YC2, YC3 or Z71 Chassis Equipment Package	N90	N.A.	285.00	285.00
With YC1, YC2, YC3 or Z71 Chassis Equipment Package	N90	N.A.	231.00	231.00
<i>Styled.</i> Wheel size 6". Four wheels only. S1 Series only. Included with YC3. Includes special hub caps and P06 Trim Rings.				
Without YC1 or YC2	ZJ7	N.A.	88.00	88.00
With YC1	ZJ7	N.A.	34.00	34.00
With YC2	ZJ7	N.A.	49.00	49.00
Windows:				
<i>Power.</i> Included when ZQ2 Operating Convenience Package is specified	A31	N.A.	175.00	175.00
<i>Sliding Rear.</i> Not available when AJ1 Deep Tinted Glass is specified	A28	N.A.	104.00	104.00
<i>Swing-Out Quarter.</i> Extended Cab only. Included with AJ1 or AA3 Deep Tinted Glass	A20	N.A.	40.00	40.00
Windshield Wiper System: Intermittent	CD4	N.A.	49.00	49.00

(a) D & H Charges on vehicle and optional equipment include reimbursement to ordering Division for any tax that it has paid, incurred or agreed to pay thereon.
◇ State and local taxes not included.

S10/15 2 AND 4 WHEEL DRIVE PICKUP

OPTIONS AND ACCESSORIES WHEN INSTALLED BY GENERAL MOTORS

Prices shown are effective with initial shipment of 1983 model motor vehicles

Description	Option Number	Factory D&H(a)	List Price	Mfr's Suggested Retail Price◇
OTHER OPTIONS				
Spare Tire: Full size. Replaces Standard Compact Spare. Not available when Z07 Special Economy Truck. Included with Z71 Chassis Equipment.				
Highway				
With QYF P195/75R14 Highway Fiberglass Belted Radial Ply Blackwall. S1 Series only.	ZK4	.92	31.00	31.92
With QYG P195/75R14 Highway Fiberglass Belted Radial Ply Whitewall. S1 Series only.	ZK4	.92	40.00	40.92
With QYP P195/75R15 Highway Fiberglass Belted Radial Ply Blackwall. T1 Series only.	ZK4	.51	31.00	31.51
With QYQ P195/75R15 Highway Fiberglass Belted Radial Ply Whitewall. T1 Series only.	ZK4	.51	40.00	40.51
With QXV P195/75R14 Highway Steel Belted Radial Ply Blackwall. S1 Series only.	ZK4	1.04	46.00	47.04
With QVJ P195/75R14 Highway Steel Belted Radial Ply Whitewall. S1 Series only.	ZK4	1.04	49.00	50.04
With QJU P205/75R15 Highway Steel Belted Radial Ply Blackwall. T1 Series only.	ZK4	.83	52.00	52.83
With QJW P205/75R15 Highway Steel Belted Radial Ply Whitewall. T1 Series only.	ZK4	.83	55.00	55.83
With QMC P205/75R15 Highway Steel Belted Radial Ply White Lettered. T1 Series only.	ZK4	.83	70.00	70.83
With QXX P205/75R14 Highway Steel Belted Radial Ply Blackwall. S1 Series only.	ZK4	1.20	52.00	53.20
With QVT P205/75R14 Highway Steel Belted Radial Ply Whitewall. S1 Series only.	ZK4	1.20	55.00	56.20
With QXZ P205/75R14 Highway Steel Belted Radial Ply White Lettered. S1 Series only.	ZK4	1.20	70.00	71.20
With QYC P205/70R14 Highway Steel Belted Radial Ply White Lettered. S1 Series only.	ZK4	1.09	72.00	73.09
With Q1A P195/75R14 Highway (Front) On-Off Road (Rear) Steel Belted Radial Ply Blackwall. S1 Series only.	ZK4	1.04	46.00	47.04
On-Off Road				
With Q1A P195/75R14 Steel Belted Radial Ply Blackwall. Highway (Front) On-Off Road (Rear). T1 Series available only when QEB or QJT tires are specified.	ZK5	1.17	48.00	49.17
With QJT P205/75R15 On-Off Road Steel Belted Radial Ply Blackwall. T1 Series only.	ZK5	.91	54.00	54.91
With QEB P235/75R15 On-Off Road Steel Belted Radial Ply White Lettered. T1 Series only.	ZK5	1.55	90.00	91.55
Special Economy Truck: S10603 only. Available only when LR1 1.9 Liter 2 BBL Engine, MM5 5-Speed Transmission, C3B 1,000-lb Payload Capacity and 2.73 or 3.08 Rear Axle Ratio are specified. Not available when NK2 Fuel Tank, U89 Wiring Harness, YC3, Z82 Trailering Special, YF5 California Emissions, NA6 High Altitude Emissions, ZK4 or ZK5 Spare Tire is specified.				
Without YC1 or YC2. Includes P01 Wheel Covers	Z07	N.A.	300.00	300.00
With YC1. Includes P01 Wheel Covers	Z07	N.A.	246.00	246.00
With YC2	Z07	N.A.	261.00	261.00
Speed Control, Electronic: Not available with MX0 Automatic Transmission when LQ2 2.0 Liter Engine is specified.				
	K34	N.A.	185.00	185.00
Stabilizer Bar: Front. Standard on T1 Series. Included when C3A 1500-lb or C3C 1625-lb Payload Capacity is specified				
	F59	N.A.	35.00	35.00
Steering:				
Power	N40	N.A.	247.00	247.00
Power, Not Desired. Not available when Z82 Trailering Special is specified.	N51	NO ADDITIONAL CHARGE		
Steering Wheel: Comfortilt	N33	N.A.	105.00	105.00
Striping: Available only when ZY1 Solid Paint is specified. Not available when B84 Body Side and Wheel Opening Moldings, YC2 or YC3 is specified. Included when ZY7 Sport Two-Tone Paint is specified				
Almond	65A	N.A.	65.00	65.00
Black	09A	N.A.	65.00	65.00
Blue, Dark	29A	N.A.	65.00	65.00
Red	72A	N.A.	65.00	65.00
Silver	17A	N.A.	65.00	65.00
White	12A	N.A.	65.00	65.00

(a) D & H Charges on vehicle and optional equipment include reimbursement to ordering Division for any tax that it has paid, incurred or agreed to pay thereon.
 ◇ State and local taxes not included.

S10/15 2 AND 4 WHEEL DRIVE PICKUP

OPTIONS AND ACCESSORIES WHEN INSTALLED BY GENERAL MOTORS

Prices shown are effective with initial shipment of 1983 model motor vehicles

Description	Option Number	Factory D&H(s)	List Price	Mfr's Suggested Retail Price ◊
OTHER OPTIONS				
Operating Convenience Package: Includes AU3 Power Door Locks and A31 Power Windows	ZQ2	N.A.	300.00	300.00
Payload Capacities: (See Power Teams Chart for Engine, Transmission and Axle availability).				
1625-lbs. S1 Regular Cab only. Available only when P205 tires are specified. When NA5 Standard or NA6 High Altitude Emissions are specified, available only when LQ2 2.0 Liter or LR2 2.8 Liter Engine is specified. When YF5 California Emissions are specified, LR1 1.9 Liter Engine is also available. Includes F59 Stabilizer, extra capacity rear springs and J50 Brakes.	C3C	N.A.	185.00	185.00
1500-lbs. When NA5 Standard or NA6 High Altitude Emissions are specified, available only when LQ2 2.0 Liter or LR2 2.8 Liter Engine is specified. When YF5 California Emissions are specified, LR1 1.9 Liter Engine is also available. S1 Regular Cab. Not available when P205 Tires are specified. Includes F59 Stabilizer, extra capacity rear springs and J50 Brakes	C3A	N.A.	185.00	185.00
S1 Extended Cab. Includes F59 Stabilizer, extra capacity rear springs and J50 Brakes	C3A	N.A.	185.00	185.00
T1 Series. Includes extra capacity rear springs	C3A	N.A.	58.00	58.00
1000-lbs.	C3B	NO ADDITIONAL CHARGE		
Preliminary Price Information	B3W	N.A.	N.A.	N.A.
Radio Equipment:				
AM Radio	U63	N.A.	112.00	112.00
AM/FM Radio	U69	N.A.	171.00	171.00
AM/FM Stereo Radio. Electronically Tuned	UU9	N.A.	238.00	238.00
AM/FM Stereo Radio with Clock. Electronically Tuned	UL1	N.A.	277.00	277.00
AM/FM Stereo Radio with Stereo Cassette Tape and Clock. Electronically Tuned Speakers, Premium. Dual Rear. Available only when UL1, UU9 or UU7 Radio is specified	UU7	N.A.	377.00	377.00
	U66	N.A.	25.00	25.00
Rails, Pickup Box Side	D73	N.A.	91.00	91.00
Seat Equipment:				
Rear Jump. Extended Cab only. Available only when bucket seats are specified. Included when YC2 or YC3 is specified	AJ2	N.A.	215.00	215.00
Seat Backs. Adjustable. Extended Cab only	A78	N.A.	65.00	65.00
Shields: T1 Series only. Included when Z71 Chassis Equipment is specified.				
Fuel Tank. Available only when NY7 Transfer Case Shield is specified	NY1	N.A.	47.00	47.00
Transfer Case. Available only when NY1 Fuel Tank Shield is specified	NY7	N.A.	65.00	65.00
Shock Absorbers: Heavy-Duty. Front and Rear. Not available when Z71 Chassis Equipment is specified	F51	N.A.	32.00	32.00

(a) D & H Charges on vehicle and optional equipment include reimbursement to ordering Division for any tax that it has paid, incurred or agreed to pay thereon.
 ◊ State and local taxes not included.

S10/15 2 AND 4 WHEEL DRIVE PICKUP

OPTIONS AND ACCESSORIES WHEN INSTALLED BY GENERAL MOTORS

Prices shown are effective with initial shipment of 1983 model motor vehicles

Description	Option Number	Factory D&H(a)	List Price	Mfr's Suggested Retail Price◇
OTHER OPTIONS				
Engine Block Heater	K05	N.A.	31.00	31.00
Floor Covering: Mats, Color-Keyed. Front. Available only when YC2 or YC3 is specified	B32	N.A.	14.00	14.00
Gages: <i>Voltmeter, Temperature, Oil Pressure and Trip Odometer.</i> Included when YC2, YC3 or U16 Tachometer is specified	Z53	N.A.	56.00	56.00
Tachometer. Without YC2 or YC3. Includes Z53 Gage Package	U16	N.A.	109.00	109.00
With YC2 or YC3	U16	N.A.	53.00	53.00
Generator: 66-Amp Delcotron. Included when C60 Air Conditioning or V10 Cold-Climate Package is specified	K81	N.A.	60.00	60.00
Glass: <i>Deep Tinted.</i> Extended Cab only. Includes dark laminated glass on quarter windows and rear window. Also includes A20 Swing-Out Quarter Windows	AJ1	N.A.	125.00	125.00
Regular Cab only. Includes dark laminated glass on rear window and tinted glass for windshield glass, passenger and driver's side door glass	AJ1	N.A.	45.00	45.00
<i>Deep Tinted with Light Tinted Rear Window.</i> Extended Cab only. Not available when AJ1 Deep Tinted glass is specified. Includes dark laminated glass on quarter windows. Also includes A20 Swing-Out Quarter Windows	AA3	N.A.	80.00	80.00
<i>Tinted.</i> All Windows. Standard on Extended Cab only	A01	N.A.	43.00	43.00
Grille: Chromed. Included when YC1, YC2 or YC3 is specified	V22	N.A.	56.00	56.00
Harness, Wiring: 5-Lead. Not available when Z82 Trailering Special or Z07 Special Economy Truck is specified	U89	N.A.	38.00	38.00
Headlamps, Halogen	TT4	N.A.	21.00	21.00
Lamps: Included when TR9 Auxiliary Lighting is specified. <i>Cargo Area.</i> Regular Cab only. Without YC1, YC2 or YC3. Includes C91 Dome Lamp	UF2	N.A.	58.00	58.00
With YC1, YC2 or YC3	UF2	N.A.	33.00	33.00
Extended Cab only	UF2	N.A.	33.00	33.00
<i>Dome.</i> Standard on Extended Cab. Included when YC1, YC2, YC3 or UF2 Cargo Lamp is specified. Includes door actuated switches and bright lamp bezels ..	C91	N.A.	25.00	25.00
Lighter, Cigarette: Included when YC1, YC2 or YC3 is specified	U37	N.A.	23.00	23.00
Lighting, Auxiliary: Regular Cab only. Includes underhood light and UF2 Cargo Lamp. Without YC1, YC2 or YC3. Also includes ashtray light, glove box light, headlamp warning buzzer and C91 Dome Lamp	TR9	N.A.	90.00	90.00
With YC1, YC2 or YC3	TR9	N.A.	46.00	46.00
Extended Cab only. Includes underhood light and UF2 Cargo Lamp. Without YC1 or YC2. Also includes ashtray light, glove box light and headlamp warning buzzer	TR9	N.A.	65.00	65.00
With YC1 or YC2	TR9	N.A.	46.00	46.00
Mirrors, Exterior: LH and RH. Below Eye-line Type. 9" x 6.5" <i>Painted</i>	D44	N.A.	47.00	47.00
<i>Bright</i>	D45	N.A.	76.00	76.00
Mirror, Visor: RH. Included when YC2 or YC3 is specified	D34	N.A.	7.00	7.00
Moldings: <i>Body Side and Wheel Opening.</i> Included when YC2, YC3 or ZY8 Special Two-Tone Paint is specified. Includes lower side and rear moldings of black plastic with bright trim. Without YC3 also includes B96 Bright Wheel Opening Moldings. With YC3 includes B74 Black Wheel Opening Moldings. Without ZY7 Sport Two-Tone Paint	B84	N.A.	139.00	139.00
With ZY7 Sport Two-Tone Paint	B84	N.A.	74.00	74.00
<i>Guards, Door Edge</i>	B93	N.A.	16.00	16.00
<i>Wheel Opening.</i> Black. Not available when B96 Bright Wheel Opening Moldings are specified. Included when YC3 is specified. Without B84 Body Side and Wheel Opening Moldings	B74	N.A.	40.00	40.00
With B84 Body Side and Wheel Opening Moldings	B74	N.A.	12.00	12.00
Bright. Included when YC2, B84 Body Side and Wheel Opening Moldings or ZY8 Special Two-Tone Paint are specified. Not available when YC3 is specified	B96	N.A.	28.00	28.00

(a) D & H Charges on vehicle and optional equipment include reimbursement to ordering Division for any tax that it has paid, incurred or agreed to pay thereon.

◇ State and local taxes not included.

S10/15 2 AND 4 WHEEL DRIVE PICKUP

OPTIONS AND ACCESSORIES WHEN INSTALLED BY GENERAL MOTORS

Prices shown are effective with initial shipment of 1983 model motor vehicles

Description	Option Number	Factory D&H(a)	List Price	Mfr's Suggested Retail Price◇
OTHER OPTIONS				
Air Conditioning: All-Weather. Includes K81 66-Amp Generator. Also includes V01 H.D. Radiator when V02 Radiator and Transmission Oil Cooler is not specified. T1 Series available only when N40 Power Steering is specified.				
Without YC1, YC2 or YC3	C60	N.A.	725.00	725.00
With YC1, YC2 or YC3	C60	N.A.	690.00	690.00
Battery: Heavy-Duty. 515 Cold Cranking Amps, Delco Freedom. Included when V10 Cold-Climate Package is specified.				
	UA1	N.A.	48.00	48.00
Brakes: Vacuum Power. Standard on T1 Series. Included when C3A 1500-lb or C3C 1625-lb Payload Capacity is specified				
	J50	N.A.	92.00	92.00
Bumper Equipment:				
<i>Bumpers, Painted.</i> Color-Keyed with rub strip. Available only when ZY7 Sport or ZY8 Special Two-Tone Paint is specified. Not available when VG3 Bumper is specified.				
Front. Included when YC3 is specified.				
Without YC1 or YC2	VT3	N.A.	58.00	58.00
With YC1 or YC2	VT3	NO ADDITIONAL CHARGE		
Rear Step. Available only when VT3 Front Bumper or YC3 is specified.	VB2	N.A.	131.00	131.00
<i>Rear Step, Black.</i> Not available when VG3 or VT3 Front Bumpers, YC1, YC2, YC3, ZY7 Sport or ZY8 Special Two-Tone Paint is specified.	V43	N.A.	115.00	115.00
<i>Bumpers Deluxe, Chromed.</i>				
Front with rub strip. Included when YC1 or YC2 is specified. Not available when YC3, VB2 or V43 Step Bumpers are specified	VG3	N.A.	59.00	59.00
Rear with rub strip. Available only when VG3 Chromed Front Bumper, YC1 or YC2 is specified. Not available when YC3 or VT3 Color-Keyed Bumper is specified	VB3	N.A.	210.00	210.00
<i>Bumper Guards, Front, Black.</i> Available only when VG3 Deluxe Chromed Bumper, VT3 Color-Keyed Front Bumper, YC1, YC2 or YC3 is specified	V28	N.A.	29.00	29.00
Chassis Equipment: Off Road Package. T10603-T10803 Series only. Not available when F51 H.D. Shocks are specified. Available only when C3A Payload Capacity is specified. Includes QEB P235/75R15 Tires, ZK5 Spare Tire, special torsion bars, shock absorbers, jounce bumpers and front stabilizer bar, NY7 Transfer Case Shield, NY1 Fuel Tank Shield, P06 Trim Rings and V78 Tow Hooks.				
Without YC1, YC2 or YC3	Z71	5.71	665.00	670.71
With YC1, YC2 or YC3	Z71	5.71	611.00	616.71
Clock: Electronic Digital. Available only when U63 or U69 Radio is specified				
	UE8	N.A.	39.00	39.00
Cold-Climate Package: Includes UA1 H.D. Battery.				
Without C60 Air Conditioning. Also includes K81 66-Amp Generator.				
Without YC1, YC2 or YC3. Includes special insulation, carpeting on rear of cab, lower backlite and quarter trim moldings.	V10	N.A.	225.00	225.00
With YC2 or YC3.	V10	N.A.	123.00	123.00
With YC1.	V10	N.A.	190.00	190.00
With C60 Air Conditioning.				
Without YC2 or YC3. Includes special insulation, carpeting on rear of cab, lower backlite and quarter trim moldings.	V10	N.A.	130.00	130.00
With YC2 or YC3.	V10	N.A.	63.00	63.00
Console: Front Compartment Floor. Available only when Bucket Seats are specified. Included when YC3 is specified				
	D55	N.A.	99.00	99.00
Coolers:				
<i>Engine Oil.</i> Available only when LR2 2.8 Liter Engine, MXO Automatic Transmission and V01 Radiator or V02 Radiator and Transmission Oil Cooler are specified.				
	KC4	N.A.	116.00	116.00
<i>Radiator and Transmission Oil.</i> Available only when LR2 2.8 Liter Engine and MXO Transmission is specified.				
Without C60 Air Conditioning	V02	N.A.	108.00	108.00
With C60 Air Conditioning	V02	N.A.	57.00	57.00
Cooling: Radiator, Heavy-Duty. Not available when V02 Radiator and Transmission Oil Cooler is specified. Included when C60 Air Conditioning is specified.				
	V01	N.A.	51.00	51.00
Door Lock System, Power: Included when ZQ2 Operating Convenience Package is specified.				
	AU3	N.A.	125.00	125.00

(a) D & H Charges on vehicle and optional equipment include reimbursement to ordering Division for any tax that it has paid, incurred or agreed to pay thereon.
 ◇ State and local taxes not included.

S10/15 2 AND 4 WHEEL DRIVE PICKUP

OPTIONS AND ACCESSORIES WHEN INSTALLED BY GENERAL MOTORS

Prices shown are effective with initial shipment of 1983 model motor vehicles

Description	Option Number	Factory D&H(a)	List Price	Mfr's Suggested Retail Price ◊
Engines: (See Power Teams Chart for availability and complete specifications)				
1.9 Liter 2 BBL L4. Standard on S1 Regular Cab only. Available only when YF5 California Emissions is specified on S-T1 Extended Cab or T1 Regular Cab...	LR1		NO ADDITIONAL CHARGE	
2.0 Liter 2 BBL L4. Standard on S1 Extended Cab and T1 Series only. Available on S1 Regular Cab only. Not available when YF5 California Emissions is specified	LQ2		NO ADDITIONAL CHARGE	
2.8 Liter 2 BBL V6. T1 Series available only when N40 Power Steering is specified	LR2	N.A.	243.00	243.00
Transmissions: (See Power Teams Chart for availability and Complete Specifications)				
3-Speed Automatic. S1 Series only. Available only when LR1 1.9 Liter Engine and YF5 California Emissions are specified	MX1	N.A.	475.00	475.00
4-Speed Automatic with Overdrive. Not available with LR1 1.9 Liter Engine or on T1 Series with LQ2 2.0 Liter Engine	MX0	N.A.	650.00	650.00
4-Speed Manual	MM4		NO ADDITIONAL CHARGE	
5-Speed Manual with Overdrive. Not available when LR1 1.9 Liter Engine and NA6 High Altitude Emission are specified on S1 Regular Cab. S10603 with NA5 Standard Emissions and LR1 1.9 Liter Engine available only when Z07 Special Economy Truck is specified. Included with Z07 Special Economy Truck.	MM5	N.A.	225.00	225.00
Axles, Rear: (See Power Teams Chart for option number selection, availability and complete specifications)				
Optional Ratio		N.A.	36.00	36.00
Locking Differential.				
S1 Series without ZK4 or ZK5 Spare Tire. Includes T145/80D16 Compact Spare Tire	G80	.50	230.00	230.50
S1 Series with ZK4 or ZK5 Spare Tire and T1 Series.	G80	N.A.	230.00	230.00
Tires: Includes Compact Spare Tire.				
S1 Series. All Front and Rear rim sizes are 6.00"				
T1 Series. All Front and Rear rim sizes are 6.00" except when QEB Tires or N90 Wheels are specified, then wheel size is 7.00"				
TUBELESS				
P195/75R14 Highway Fiberglass Belted Radial Ply Blackwall (Maximum Capacity 1272-lbs). S1 Series only.	QYF		NO ADDITIONAL CHARGE	
P195/75R14 Highway Fiberglass Belted Radial Ply Whitewall (Maximum Capacity 1272-lbs). S1 Series only.	QYG	N.C.	64.00	64.00
P195/75R14 Highway Steel Belted Radial Ply Blackwall (Maximum Capacity 1272-lbs). S1 Series only.	QXV	.48	66.00	66.48
P195/75R14 Highway Steel Belted Radial Ply Whitewall (Maximum Capacity 1272-lbs). S1 Series only.	QVJ	.48	130.00	130.48
P205/75R14 Highway Steel Belted Radial Ply Blackwall (Maximum Capacity 1392-lbs). S1 Series only.	QXX	1.12	97.00	98.12
P205/75R14 Highway Steel Belted Radial Ply Whitewall (Maximum Capacity 1392-lbs). S1 Series only.	QVT	1.12	165.00	166.12
P205/75R14 Highway Steel Belted Radial Ply White Lettered (Maximum Capacity 1392-lbs). S1 Series only.	QXZ	1.12	188.00	189.12
P205/70R14 Highway Steel Belted Radial Ply White Lettered (Maximum Capacity 1302-lbs). S1 Series only.	QYC	.68	217.00	217.68
P195/75R14 Steel Belted Radial Ply Blackwall (Front Highway, Rear On-Off Road) (Maximum Capacity 1272-lbs). S1 Series only.	Q1A	.74	84.00	84.74
P195/75R15 Highway Fiberglass Belted Radial Ply Blackwall (Maximum Capacity 1342-lbs). T1 Series only. Standard	QYP		NO ADDITIONAL CHARGE	
P195/75R15 Highway Fiberglass Belted Radial Ply Whitewall (Maximum Capacity 1342-lbs). T1 Series only.	QYQ	N.C.	64.00	64.00
P205/75R15 Highway Steel Belted Radial Ply Blackwall (Maximum Capacity 1453-lbs). T1 Series only.	QJU	1.28	97.00	98.28
P205/75R15 Highway Steel Belted Radial Ply Whitewall (Maximum Capacity 1453-lbs). T1 Series only.	QJW	1.28	165.00	166.28
P205/75R15 Highway Steel Belted Radial Ply White Lettered (Maximum Capacity 1453-lbs). T1 Series only.	QMC	1.28	188.00	189.28
P205/75R15 On-Off Road Steel Belted Radial Ply Blackwall (Maximum Capacity 1453-lbs). T1 Series only. Not available when ZK4 Spare Tire is specified.	QJT	1.60	133.00	134.60
P235/75R15 On-Off Road Steel Belted Radial Ply White Lettered (Maximum Capacity 1453-lbs). T1 Series only. Available only when ZK5 Spare Tire is specified. Included when Z71 Chassis Equipment Package is specified	QEB	4.16	360.00	364.16

(a) D & H Charges on vehicle and optional equipment include reimbursement to ordering Division for any tax that it has paid, incurred or agreed to pay thereon.
 ◊ State and local taxes not included.

S10/15 2 AND 4 WHEEL DRIVE PICKUP

OPTIONS AND ACCESSORIES WHEN INSTALLED BY GENERAL MOTORS

Prices shown are effective with initial shipment of 1983 model motor vehicles

Description	Option Number	Factory D&H(a)	List Price	Mfr's Suggested Retail Price ◊
Sport /Gypsy Equipment: (See Interior and Exterior Color Selection Charts)				
Available only when Sport Bucket Seats and ZY7 Sport Two-Tone Paint are specified. Includes V22 Chromed Grille, black and chromed headlamp bezels, color-keyed door handle inserts, B84 Black Body Side and Wheel Opening Moldings, chromed taillamp molding, special applique on tailgate, color-keyed front bumper with rub strip, D34 Visor Mirror, U37 Cigarette Lighter, Z53 Gage Package with Trip Odometer, C91 Dome Lamp, courtesy lamps, glove box and ashtray lamps, deluxe vent system and side window defogger, glove box door and lock, headlamp warning buzzer, folding back bucket seats, D55 Console, full color-keyed carpet, cab back insulation, headliner, special steering wheel and column.				
Regular Cab only.				
S1 Series only. Also includes ZJ7 Argent Styled Wheels	YC3	N.A.	840.00	840.00
T1 Series only. Also includes P06 Trim Rings	YC3	N.A.	806.00	806.00
Extended Cab only. Includes AJ2 Jump Seats				
S1 Series only. Also includes ZJ7 Argent Styled Wheels	YC3	N.A.	1145.00	1145.00
T1 Series only. Also includes P06 Trim Rings	YC3	N.A.	1111.00	1111.00
Seat Trim: (See Interior and Exterior Color Selection Chart for availability and ordering information).				
Vinyl Bench. Not available when YC1, YC2 or YC3 is specified				NO ADDITIONAL CHARGE
Custom Cloth Bench. Not available when YC3 is specified				NO ADDITIONAL CHARGE
Custom Vinyl. Not available when YC3 is specified.				
With bench seat.				
Without YC1 or YC2		N.A.	50.00	50.00
With YC1 or YC2				NO ADDITIONAL CHARGE
With High Back Bucket Seats. Driver and Passenger. Replaces vinyl bench seat.				
Regular Cab only				
Without YC2 or YC1		N.A.	172.00	172.00
With YC2 or YC1		N.A.	122.00	122.00
Extended Cab only				
Without YC2 or YC1		N.A.	185.00	185.00
With YC2				NO ADDITIONAL CHARGE
With YC1		N.A.	137.00	137.00
Special Custom Cloth High Back Buckets. Not available when YC3 is specified				
Regular Cab only		N.A.	122.00	122.00
Extended Cab only				
With YC1		N.A.	137.00	137.00
With YC2				NO ADDITIONAL CHARGE
Sport Cloth High Back Buckets. Included when YC3 is specified.				
High Country Sheepskin High-Back Bucket Seats. Available only when YC2 or YC3 are specified.				
Regular Cab only.				
With YC2		N.A.	415.00	415.00
With YC3		N.A.	295.00	295.00
Extended Cab only. Jumpseats are vinyl trim		N.A.	295.00	295.00
Paints, Exterior: (See Interior and Exterior Color Selection Chart for ordering information and paint application).				
Solid	ZY1			NO ADDITIONAL CHARGE
Sport Two-Tone. Included when YC3 is specified.				
Without YC2. Includes paint striping and area below striping painted secondary color choice. Available only when VT3 or VG3 Bumpers are specified	ZY7	N.A.	210.00	210.00
With YC2. Area below B84 Body Side and Bright Wheel Opening Moldings Painted Secondary Color Choice	ZY7	N.A.	145.00	145.00
Special Two-Tone. Middle area painted secondary color choice. Not available when YC3 is specified.				
Without YC2. Includes B84 Body Side and Bright Wheel Opening Moldings. Available only when VT3 or VG3 Bumpers are specified	ZY8	N.A.	291.00	291.00
With YC2	ZY8	N.A.	152.00	152.00
Emission Systems: Dealer Note - One of the following emission options must be specified. (See Power Teams Chart for availability and complete specifications.)				
California Emission Requirements. Includes all testing, equipment and /or certification necessary for registration in the state of California. Not Available when NA5 Standard Emissions or NA6 High Altitude Emissions is specified				
High Altitude Emission Equipment	YF5	N.A.	75.00	75.00
Standard Emission Equipment. Not available when YF5 California Emissions or NA6 High Altitude Emissions are specified	NA6			NO ADDITIONAL CHARGE
	NA5			NO ADDITIONAL CHARGE

(a) D & H Charges on vehicle and optional equipment include reimbursement to ordering Division for any tax that it has paid, incurred or agreed to pay thereon.

◊ State and local taxes not included.

S10/15 2 AND 4 WHEEL DRIVE PICKUP (1000-lb - 1625-lb Payload)

1983 VEHICLES WITH STANDARD EQUIPMENT

Prices shown are effective with initial shipment of 1983 model motor vehicles

Description	Model Number	Body Code	Wheel Base	Factory D&H(a)	List Price	Mfr's Suggested Retail Price*	Group Number
<i>(All Series have Regular Cab unless otherwise indicated)</i>							
◆ 4-Cylinder 1.9 Liter 2 BBL L4 Engine-Engine Ordering Code LR1							
S10/15 Series 2-Wheel Drive							
Fleetside/Wideside (6-ft)	CS/TS10603	E63	108.3"	9.38	6334.00	6343.38	10
Fleetside/Wideside (7 1/3-ft)	CS/TS10803	E63	117.9"	9.38	6487.00	6496.38	10
◆ 4-Cylinder 2.0 Liter 2 BBL L4 Engine-Engine Ordering Code LQ2							
S10/15 Series 2-Wheel Drive							
Extended Cab.							
Fleetside/Wideside (6-ft)	CS/TS10653	E63	122.9"	9.38	6716.00	6725.38	10
S10/15 Series 4-Wheel Drive							
Fleetside/Wideside (6-ft)	CT/TT10603	E63	108.3"	10.24	8002.00	8012.24	10
Fleetside/Wideside (7 1/3-ft)	CT/TT10803	E63	117.9"	10.24	8155.00	8165.24	10
Extended Cab							
Fleetside/Wideside (6-ft)	CT/TT10653	E63	122.9"	10.24	8321.00	8331.24	10

- ★ Manufacturer's Suggested Retail Prices do not include applicable destination charges, state and local taxes, license fees, optional equipment or accessories or special items or services.
- ◆ Refer to Power Team Chart for California Emission Certification Requirements.

OPTIONS AND ACCESSORIES WHEN INSTALLED BY GENERAL MOTORS

Prices shown are effective with initial shipment of 1983 model motor vehicles

Description	Option Number	Factory D&H(a)	List Price	Mfr's Suggested Retail Price◇
Durango/High Sierra Equipment: <i>(See Interior and Exterior Color Selection Charts)</i> Includes V22 Chromed Grille, black and chromed headlamp bezels, VG3 Deluxe Chromed Front Bumper With Rub Strip, P06 Trim Rings, special decal on tailgate, side window defogger, deluxe vent system, courtesy lamp, glove box and ashtray lamps, headlamp warning buzzer, U37 Cigarette Lighter, folding bench seat, deluxe steering wheel, color-keyed floor mats, dash and front floor insulation and deluxe appearance.				
Regular Cab. Available only when Special Custom or Custom Trim is specified.				
Also includes C91 Dome Lamp	YC1	N.A.	334.00	334.00
Extended Cab	YC1	N.A.	285.00	285.00
Tahoe/Sierra Classic Equipment: <i>(See Interior and Exterior Color Selection Charts)</i> Includes V22 Chromed Grille, black and chromed headlamp bezels, color-keyed door handle inserts, B84 Black Body Side and Bright Wheel Opening Moldings, chromed taillamp molding, special applique on tailgate, D34 Visor Mirror, color-keyed carpeting, C91 Dome Lamp, courtesy lamps, glove box and ashtray lamps, headlamp warning buzzer, Z53 Gage Package with Trip Odometer, U37 Cigarette Lighter, side window defogger, deluxe vent system, glove box door and lock, cab back insulation, headliner and VG3 Deluxe Chromed Front Bumper with rub strip.				
Regular Cab. Available only when Special Custom or Custom Trim is specified.				
Also includes C91 Dome Lamp.				
T1 Series only. Also includes P06 Trim Rings	YC2	N.A.	600.00	600.00
S1 Series only. Also includes P01 Bright Wheel Covers	YC2	N.A.	585.00	585.00
Extended Cab only. Available only when Special Custom or Custom Trim is specified. Also includes AJ2 Jump Seats.				
T1 Series only. Also includes P06 Trim Rings	YC2	N.A.	975.00	975.00
S1 Series only. Also includes P01 Bright Wheel Covers	YC2	N.A.	960.00	960.00

(a) D & H Charges on vehicle and optional equipment include reimbursement to ordering Division for any tax that it has paid, incurred or agreed to pay thereon.
◇ State and local taxes not included.

NOTES

S-10/15 PICKUP 2- & 4-WHEEL DRIVE

POWER TEAMS CALIFORNIA ONLY

■ PAYLOADS:
C3B: 1000 lbs.
C3A: 1500 lbs.
C3C: 1625 lbs.

POWER TEAMS (CONT'D) (MUST ORDER ENGINE, TRANSMISSION AND REAR AXLE)

W/YF5 CALIFORNIA EMISSION REQUIREMENTS

ENGINE	TRANSMISSION			AXLES					■ PAYLOAD
	4-SP	5-SP	AUTO	2.73	3.08	3.42	3.73	4.11	
—S10603-S10803									
LR1 L4 1.9 Liter 2BBL	MM4	MM5		—	GQ1	GU6	—	—	w/C3B
	MM4	MM5		—	—	GQ1	GT4	—	w/C3A
	MM4	MM5		—	—	—	GQ1	—	w/C3C
			MX1	—	—	GQ1	GT4	—	w/C3B
			MX1	—	—	—	GQ1	H04	w/C3A
			MX1	—	—	—	—	GQ1	w/C3C
LR2 V6 2.8 Liter 2BBL	MM4			GQ1	GU4	—	—	—	w/C3C
	MM4			—	GQ1	—	—	—	w/C3C
		MM5		—	GQ1	—	—	—	ALL
			MX0	—	GQ1	GU8	%GT4	—	ALL
—S10653									
LR1 L4 1.9 Liter 2 BBL	MM4	MM5		—	GQ1	GU6	—	—	w/C3B
	MM4	MM5		—	—	GQ1	GT4	—	w/C3A
			MX1	—	—	GQ1	GT4	—	w/C3B
			MX1	—	—	—	GQ1	H04	w/C3A
LR2 V6 2.8 Liter 2 BBL	MM4			GQ1	GU4	—	—	—	ALL
		MM5		—	GQ1	—	—	—	ALL
			MX0	—	GQ1	GU8	%GT4	—	ALL
—T10603-T10803-T10653									
LR1 L4 1.9 Liter 2 BBL	MM4	MM5		—	—	—	GQ1	H04	ALL
LR2 V6 2.8 Liter 2 BBL (Reqs N40 Steering)	MM4			—	#GQ1	GU8	—	—	ALL
		MM5		—	—	GQ1	—	—	ALL
			MX0	—	#GQ1	GU8	—	—	w/C3B
			MX0	—	—	GQ1	GT4	—	w/C3A

#N/A P235/75R15 Tires
%Reqs Z82 Trailering
■Refer to page 14 for payload restrictions.

ENGINE RATINGS—ALL STATES

SAE Net Ratings	1.9 Liter 119-2 BBL L4	2.0 Liter★ 121-2 BBL L4	2.8 Liter 173-2 BBL V6
Net Horsepower	82 @ 4600 rpm	83 @ 4600 rpm	110 @ 4800 rpm
Net Torque, lb-ft	101 @ 3000 rpm	108 @ 2400 rpm	145 @ 2100 rpm

★Not available for registration in the State of California.

S-10/15 PICKUP 2- & 4-WHEEL DRIVE

POWER TEAMS

ALL STATES EXCEPT CALIFORNIA

■ PAYLOADS:
 C3B: 1000 lbs.
 C3A: 1500 lbs.
 C3C: 1625 lbs.

POWER TEAMS (MUST ORDER ENGINE, TRANSMISSION AND REAR AXLE)

W/NA5 STANDARD EMISSION EQUIPMENT

ENGINE	TRANSMISSION			AXLES					■ PAYLOAD
	4-SP	5-SP	AUTO	2.73	3.08	3.42	3.73	4.11	
—S10603-S10803									
LR1 L4 1.9 Liter 2 BBL	MM4			—	GQ1	GU6	—	—	w/C3B
		@MM5		GQ1	GU4	—	—	—	w/C3B
LQ2 L4 2.0 Liter 2 BBL	MM4			—	—	GQ1	—	—	N/AC3B
		MM5		—	GQ1	GU6	—	—	w/C3B
		MM5		—	—	GQ1	—	—	w/C3B
			MX0	—	—	—	GQ1	H04	w/C3B
LR2 V6 2.8 Liter 2BBL			MX0	—	—	—	—	GQ1	w/C3B
			MX0	—	—	—	—	GQ1	w/C3B
	MM4			GQ1	GU4	—	—	—	w/C3C
	MM4			—	GQ1	—	—	—	w/C3C
	MM5			—	GQ1	—	—	—	ALL
		MX0		—	GQ1	GU6	%GT4	—	ALL
—S10653									
LQ2 L4 2.0 Liter 2BBL	MM4	MM5		—	GQ1	GU6	—	—	w/C3B
	MM4	MM5		—	—	GQ1	—	—	w/C3A
			MX0	—	—	—	GQ1	H04	w/C3B
			MX0	—	—	—	—	GQ1	w/C3A
LR2 V6 2.8 Liter 2BBL	MM4			GQ1	GU4	—	—	—	ALL
		MM5		—	GQ1	—	—	—	ALL
			MX0	—	GQ1	GU6	%GT4	—	ALL
—T10603-T10803-T10653									
LQ2 L4 2.0 Liter 2 BBL	MM4	MM5		—	—	—	GQ1	H04	ALL
LR2 V6 2.8 Liter 2 BBL (Reqs N40 Steering)	MM4			#GQ1	#GU4	GU6	—	—	w/C3B
	MM4			—	#GQ1	GU6	—	—	w/C3A
		MM5		—	—	GQ1	—	—	ALL
			MX0	—	#GQ1	GU6	—	—	w/C3B
		MX0		—	—	GQ1	GT4	—	w/C3A
W/NA6 HIGH ALTITUDE EMISSION EQUIPMENT									
ENGINE	TRANSMISSION			AXLES					■ PAYLOAD
	4-SP	5-SP	AUTO				3.73	4.11	
—S10603-S10803									
LR1 L4 1.9 Liter 2BBL	MM4						GQ1	—	w/C3B
LQ2 L4 2.0 Liter 2 BBL	MM4						GQ1	—	N/AC3B
		MM5					GQ1	—	ALL
			MX0				—	GQ1	ALL
LR2 V6 2.8 Liter 2 BBL	MM4	MM5	MX0				GQ1	—	ALL
—S10653									
LQ2 L4 2.0 Liter 2 BBL	MM4	MM5					GQ1	—	ALL
			MX0				—	GQ1	ALL
LR2 V6 2.8 Liter 2 BBL	MM4	MM5	MX0				GQ1	—	ALL
—T10603-T10803-T10653									
LQ2 L4 2.0 Liter 2 BBL	MM4	MM5					—	GQ1	ALL
LR2 V6 2.8 Liter 2 BBL (Reqs N40 Steering)	MM4	MM5	MX0				GQ1	—	ALL

#N/A P235/75R15 Tires
 %Reqs Z82 Trailing
 @ S10603 Only. Reqs Z07 Special Economy Truck
 ■Refer to page 14 for payload restrictions.

S-10/15 PICKUP 2- & 4-WHEEL DRIVE

PAYLOAD SELECTORS

Payload (lb)	‡Maximum Ratings		Minimum Equipment Required for GVW Rating			
	GVW Range (lb)	†GAWR (lb)		Tires, Front	Tires, Rear	Chassis Equipment
		Front	Rear			
S-10/15 MODELS (2 WHEEL DRIVE)						
1000	3532 to 4325	2300	2300	P195/75R14	P195/75R14	Standard
1500	4087 to 4844	2300	2544	P195/75R14	P195/75R14	▲1500-lb. Payload Package (C3A)
◆1625	4222 to 4900	2300	2600	P205/75R14	P205/75R14	▲1625-lb. Payload Package (C3C)
S-10/15 MODELS (4 WHEEL DRIVE)						
1000	3850 to 4740	2500	2300	P195/75R15	P195/75R15	Standard
1500	4420 to 5184	2500	2684	P195/75R15	P195/75R15	▲1500-lb. Payload Package (C3A)

‡GAWRs shown are the maximum for each axle with the equipment listed. Maximum ratings include an additional 100 lbs. allowance for vehicle weight variance.

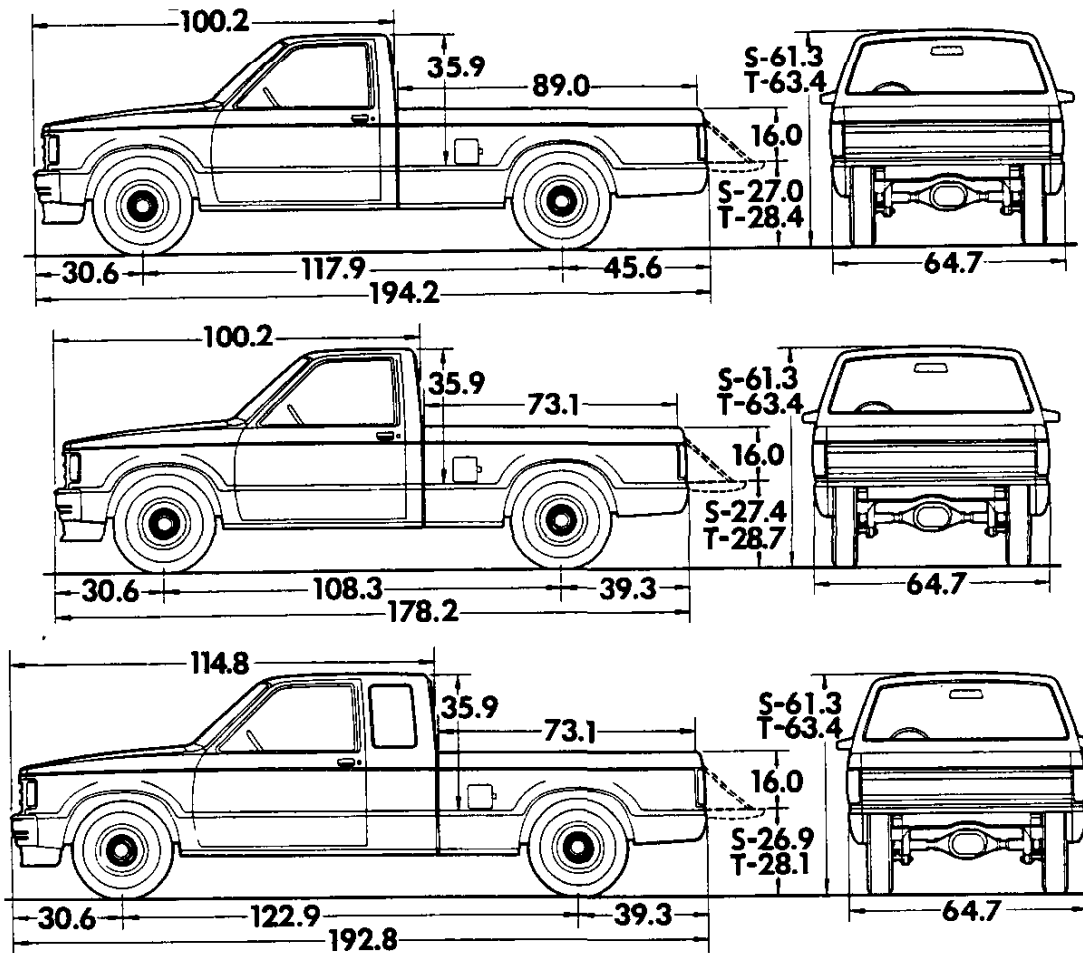
†GAWR - Gross Axle Weight Rating.

▲See payload option restrictions for engine requirements.

◆Not available on S10653 Extended Cab models.

S-10/15 PICKUP 2- & 4-WHEEL DRIVE

Body Ordering Code: E63



Cab to Axle (CA)

108.3" WB - 38.7"
 117.9" WB - 48.3"
 122.9" WB - 38.7"

Model	Body Ordering Code	Engine No. Cyl.	Curb Weight (lb)			Model Weights (lb)*			Ground Clearance (in)*
			Front	Rear	Total	Front	Rear	Total	Minimum
S-10/15 MODELS (2-WHEEL DRIVE)									
S10603	E63	4	1488	1057	2545	1713	1282	2995	6.4
S10803	E63	4	1533	1098	2631	1776	1305	3081	6.4
S10653	E63	4	1561	1126	2687	1816	1321	3137	6.4
S-10/15 MODELS (4-WHEEL DRIVE)									
T10603	E63	4	1740	1148	2888	1965	1373	3338	6.9
T10803	E63	4	1801	1153	2954	2026	1378	3404	6.9
T10653	E63	4	1810	1214	3024	2065	1409	3474	6.9

* Dimensions with standard equipment, unloaded.

* Model Weights include curb weight plus occupants (standard seating capacity x 150 lbs.). Total Weight may vary as much as ±100 lbs. to allow for production build variation.

S-10/15 PICKUP—4-WHEEL DRIVE

REGULAR CAB AND EXTENDED CAB

STANDARD SPECIFICATIONS

(See Gray Tab Section for Specification Details)

Series	S-10/S-15 4X4
Engine	
Base Equip.	2.0 Liter (121 Cu. In.) 2-bbl. L4■
Clutch	9.13", 71.86 sq. in.
Air Filter	Oiled-paper Element
Oil Filter	Throwaway Type
Exhaust System	Single; Aluminized
Emission Control Systems	Meet Government Requirements
Suspension, Front	Independent Driving Axle
Type	Torsion Bar
Axle Capacity—108.3" WB	2500 lb.
—117.9" & 122.9" WB	2620 lb.
Axle Ratio	3.73
Springs @ Ground—108.3" WB	1250 lb. ea.
—117.9" & 122.9" WB	1310 lb. ea.
Shock Absorbers	25mm dia.
Stabilizer Bar	Standard
Suspension, Rear	Salisbury Axle; Hypoid Drive; Two-stage Multi-leaf Springs
Type	Leaf Springs
Axle Capacity	2700 lb.
Axle Ratio	3.73
Springs @ Ground	1150 lb. ea.
Shock Absorbers	25mm dia.
Brakes	Hydraulic; Self-adjusting
Front	Disc; 10.51" Rotor
Rear	Drum; 9.49" x 2"
Booster	Single Diaphragm
Parking	Cable to Rear Wheels
Electrical	12 Volt; Negative Ground
Battery—Freedom Type	▲405 CCA♦ @ 0°F.
—Reserve Capacity	75 min. @ 80°F.
Delcotron Generator	37 amp.
Frame	Carbon Steel; 36-,39,000 psi
Section Modulus—108.3" WB	2.56
—117.9" & 122.9" WB	2.91
Fuel Tank (nominal capacity)	13.2 gal.
Steering Gear Type	Manual; Recirculating Ball Bear
Linkage	Parallelogram
Transmission	Fully Synchronized 4-Speed Manual
Shift Location	Floor
Transfer Case	New Process 207 2-Speed Conventional
Shift Location	Floor
Tires	(4) P195/75R15 Fiberglass Belted
Spare	(1) T155/90D-16
Wheels	(4) Disc, 15" x 6"
Spare	(1) Disc, 16" x 4"

♦ CCA-Cold Cranking Amps

■ Standard engine not available for registration in the State of California; See Power Teams Chart

▲ 315 CCA in California

February, 1983

General Motors Corporation

S-10/15 Pickup—Page 3

GASOLINE

S-10/15 PICKUP—2-WHEEL DRIVE

REGULAR CAB AND EXTENDED CAB STANDARD SPECIFICATIONS

(See Gray Tab Section for Specification Details)

Series	S-10/S-15 4X2
Engine	
Base Equip.....	1.9 Liter (119 Cu. In.) 2-bbl. L4■
Clutch.....	8.46" 57.7 sq. in.
Air Filter.....	Oiled-paper Element
Oil Filter.....	Throwaway Type
Exhaust System.....	Single; Aluminized
Emission Control Systems.....	Meet Government Requirements
Suspension, Front	Independent
Type.....	Coil Springs
Axle Capacity.....	2500 lb.
Springs @ Ground.....	1250 lb. ea.
Shock Absorbers.....	25mm dia.
Suspension, Rear	Salisbury Axle; Hypoid Drive; Two-stage Multi-leaf Springs
Type.....	Leaf Springs
Axle Capacity.....	2600 lb.
Axle Ratio.....	3.42
Springs @ Ground.....	1150 lb. ea.
Shock Absorbers.....	25mm dia.
Brakes	Hydraulic; Self-adjusting
Front.....	Disc; 10.51" Rotor
Rear.....	Drum; 9.49" x 2"
Parking.....	Cable to Rear Wheels
Electrical	12 Volt; Negative Ground
Battery—Freedom Type.....	▲315 CCA♦ @ 0°F.
—Reserve Capacity.....	75 min. @ 80°F.
Delcotron Generator.....	- 56 amp.
Frame	Carbon Steel; 36-,39,000 psi
Section Modulus—108.3" WB.....	1.94
—117.9" 122.9" WB.....	2.19
Fuel Tank (nominal capacity)	13.2 gal.
Steering Gear Type	Manual; Recirculating Ball Gear
Linkage.....	Parallelogram
Transmission	Fully Synchronized 4-Speed Manual
Shift Location.....	Floor
Tires	(4) P195/75R14 All Seasons Steel Belted Radial
Spare.....	(1) T135/80D-15
Wheels	(4) Disc, 14" x 6"
Spare.....	(1) Disc, 15" x 4"

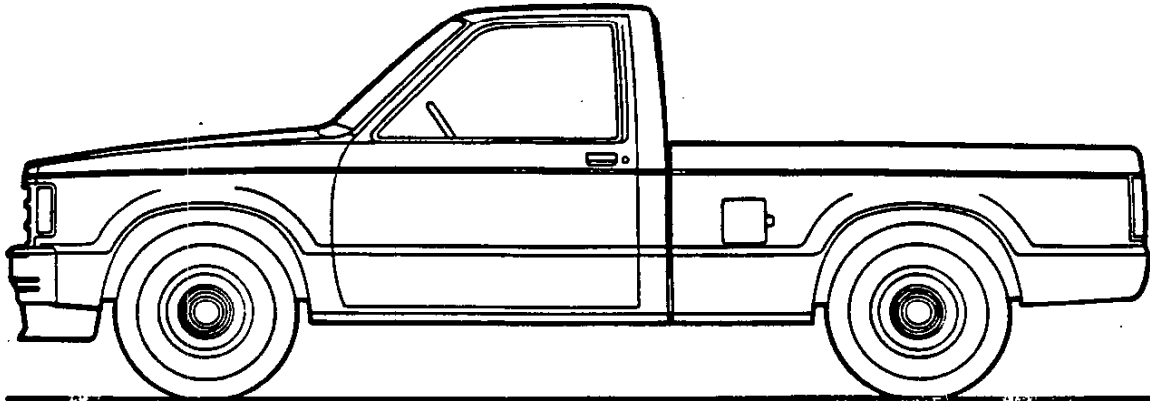
♦ CCA—Cold Cranking Amps

■ Model S10803 regular cab and S10653 extended cab use 2.0 Liter (121 cu. in.) 2-bbl. L4 in all states except California; See Power Team Chart.

▲ 405 CCA on extended cab models except in California

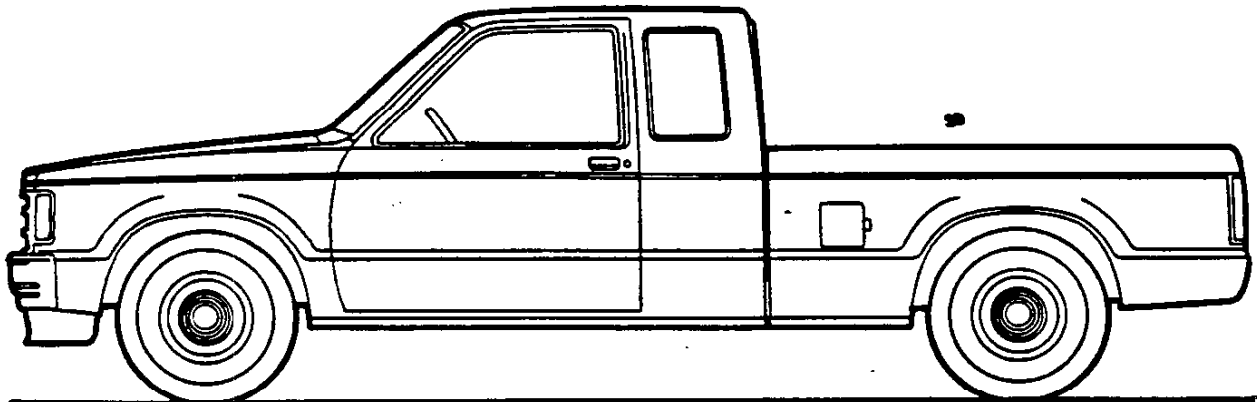
S-10/15 PICKUP 2- & 4-WHEEL DRIVE

MODEL SELECTOR



REGULAR CAB

SERIES	MODEL NUMBER		BODY ORDERING CODE	
	6' BOX	7'5" BOX	GASOLINE MODELS	DIESEL MODELS
S-10/15 (4x2)	S10603	S10803	E63	E63/B3J
S-10/15 (4x4)	T10603	T10803	E63	-



EXTENDED CAB

SERIES	MODEL NUMBER		BODY ORDERING CODE	
	6' BOX		GASOLINE MODELS	DIESEL MODELS
S-10/15 (4x2)	S10653		E63	E63/B3J
S-10/15 (4x4)	T10653		E63	-