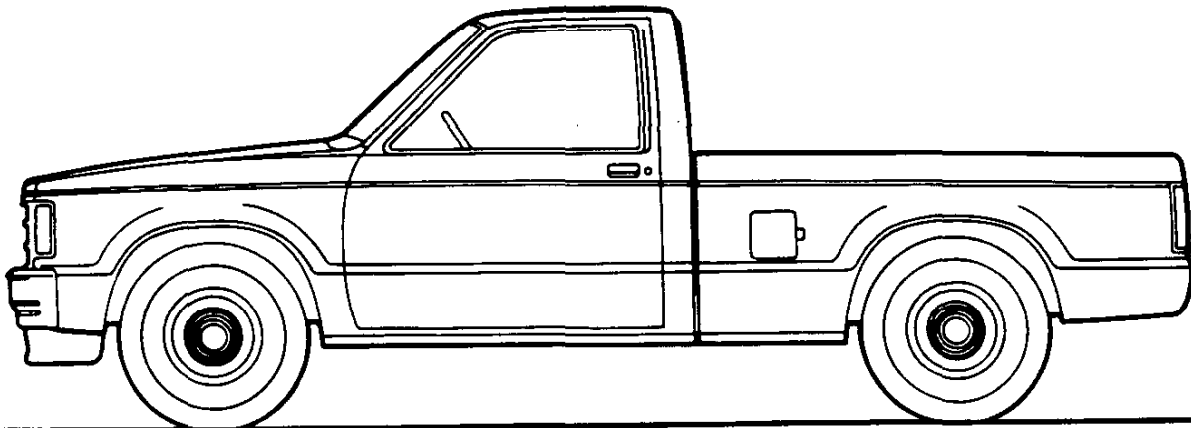
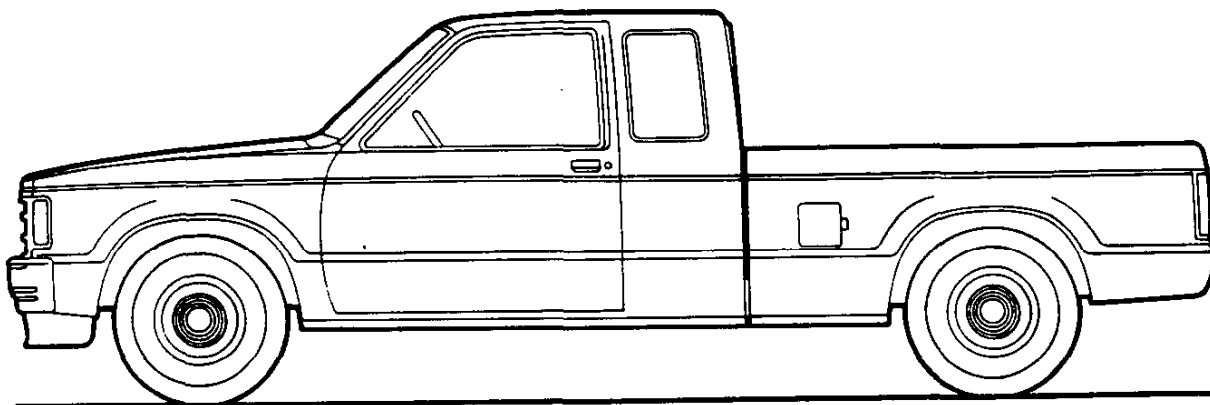

S-10/15 PICKUP 2- & 4-WHEEL DRIVE

MODEL SELECTOR



REGULAR CAB

SERIES	MODEL NUMBER			BODY ORDERING CODE
	6' BOX		7'5" BOX	
S-10/S-15 (2-Wheel Drive)	S10603	S10653	S10803	E63
S-10/S-15 (4-Wheel Drive)	T10603	T10653	T10803	E63



EXTENDED CAB

S-10/15 PICKUP—2-WHEEL DRIVE

REGULAR CAB AND EXTENDED CAB STANDARD SPECIFICATIONS

(See Gray Tab Section for Specification Details)

Series	S-10/S-15
Engine	
Base Equip.	1.9 Liter (119 Cu. in.) 2-bbl. L4■
Clutch	8.46" 57.7 sq. in.
Air Filter	Oiled-paper Element
Oil Filter	Throwaway Type
Exhaust System	Single; Aluminized
Emission Control Systems	Meet Government Requirements
Suspension, Front	Independent
Type	Coil Springs
Axle Capacity	2300 lb.
Springs @ Ground	1150 lb. ea.
Shock Absorbers	25mm dia.
Suspension, Rear	Salisbury Axle; Hypoid Drive; Two-stage Multi-leaf Springs
Type	Leaf Springs
Axle Capacity	2600 lb.
Axle Ratio	3.08
Springs, Main @ Ground	1150 lb. ea.
Shock Absorbers	25mm dia.
Brakes	Hydraulic; Self-adjusting
Front	Disc; 10.51" Rotor
Rear	Drum; 9.49" x 2"
Parking	Cable to Rear Wheels
Electrical	12 Volt; Negative Ground
Battery—Freedom Type	▲315 CCA♦ @ 0°F.
—Reserve Capacity	75 min. @ 80°F.
Delcotron Generator	37 amp.
Frame	Carbon Steel; 36,39,000 psi
Section Modulus—108.3" WB	1.94
—117.9" 122.9" WB	2.19
Fuel Tank (nominal capacity)	13.2 gal.
Steering Gear Type	Manual; Recirculating Ball Gear
Linkage	Parallelogram
Transmission	Fully Synchronized 4-Speed Manual
Shift Location	Floor
Tires	(4) P195/75R14 Fiberglass Belted
Spare	(1) T135/80D-15
Wheels	(4) Disc, 14" x 6"
Spare	(1) Disc, 15" x 4"

♦ CCA-Cold Cranking Amps

■ Model S10653 extended cab uses 2.0 Liter (121 cu. in.) 2-bbl. L4 in all states except California.

▲ 405 CCA on extended cab models except in California

S-10/15 PICKUP—2-WHEEL DRIVE



REGULAR CAB AND EXTENDED CAB STANDARD SPECIFICATIONS

(See Gray Tab Section for Specification Details)

Series	S-10/15 4X2
Engine	
Base Equip.	2.2 Liter (137 Cu. In.) L4 Diesel [■]
Clutch	8.47", 57.7 sq. in.
Air Filter	Oiled-paper Element
Oil Filter	Throwaway Type
Exhaust System	Single; Aluminized
Emission Control Systems	Meet Government Requirements
Suspension, Front	Independent
Type	Coil Springs
Axle Capacity	2500 lb.
Springs @ Ground	1250 lb. ea.
Shock Absorbers	25mm dia.
Suspension, Rear	Salisbury Axle; Hypoid Drive; Two-stage Multi-leaf Springs
Type	Leaf Springs
Axle Capacity	2600 lb.
Axle Ratio	3.42
Springs @ Ground	1150 lb. ea.
Shock Absorbers	25mm dia.
Brakes	Hydraulic; Self-adjusting
Front	Disc; 10.51" Rotor
Rear	Drum; 9.49" x 2"
Booster	Single Diaphragm
Parking	Cable to Rear Wheels
Electrical	12 Volt; Negative Ground
Battery—Freedom Type	770 CCA [◆] @ 0°F.
—Reserve Capacity	110 min. @ 80°F.
Delcotron Generator	66 amp.
Frame	Carbon Steel; 36,39,000 psi
Section Modulus—108.3" WB	1.94
—117.9" & 122.9" WB	2.19
Fuel Tank (nominal capacity)	13.2 gal.
Steering Gear Type	Integral Power
Transmission	Fully Synchronized 4-Speed Manual
Shift Location	Floor
Tires	(4) P195/75R14 All Seasons Steel Belted Radial
Spare	(1) T135/80D-15
Wheels	(4) Disc, 14" x 6"
Spare	(1) Disc, 15" x 4"

◆ CCA—Cold Cranking Amps

■ Not available for registration in the State of California

GASOLINE**S-10/15 PICKUP—4-WHEEL DRIVE****REGULAR CAB AND EXTENDED CAB****STANDARD SPECIFICATIONS**

(See Gray Tab Section for Specification Details)

Series	S-10/15 4X4
Engine	
Base Equip.	2.0 Liter (121 Cu. In.) 2-bbl. L4■
Clutch	9.13", 71.86 sq. in.
Air Filter	Oiled-paper Element
Oil Filter	Throwaway Type
Exhaust System	Single; Aluminized
Emission Control Systems	Meet Government Requirements
Suspension, Front	Independent Driving Axle
Type	Torsion Bar
Axle Capacity	2700 lb.
Axle Ratio	3.73
Springs @ Ground	1350 lb. ea.
Shock Absorbers	25mm dia.
Stabilizer Bar	28mm dia.
Suspension, Rear	Salisbury Axle; Hypoid Drive; Two-stage Multi-leaf Springs
Type	Leaf Springs
Axle Capacity	2700 lb.
Axle Ratio	3.73
Springs @ Ground	1150 lb. ea.
Shock Absorbers	25mm dia.
Brakes	Hydraulic; Self-adjusting
Front	Disc; 10.51" Rotor
Rear	Drum; 9.49" x 2"
Booster	Single Diaphragm
Parking	Cable to Rear Wheels
Electrical	12 Volt; Negative Ground
Battery—Freedom Type	▲405 CCA♦ @ 0°F.
—Reserve Capacity	75 min. @ 80°F.
Delcotron Generator	56 amp.
Frame	Carbon Steel; 36-,39,000 psi
Section Modulus—108.3" WB	2.56
—117.9" & 122.9" WB	2.91
Fuel Tank (nominal capacity)	13.2 gal.
Steering Gear Type	Manual; Recirculating Ball Bear
Linkage	Parallelogram
Transmission	Fully Synchronized 4-Speed Manual
Shift Location	Floor
Transfer Case	New Process 207 2-Speed Conventional
Shift Location	Floor
Tires	(4) P195/75R15 Fiberglass Belted
Spare	(1) T155/90D-16
Wheels	(4) Disc, 15" x 6"
Spare	(1) Disc, 16" x 4"

♦ CCA-Cold Cranking Amps

■ Standard engine not available for registration in the State of California; See Power Teams Chart

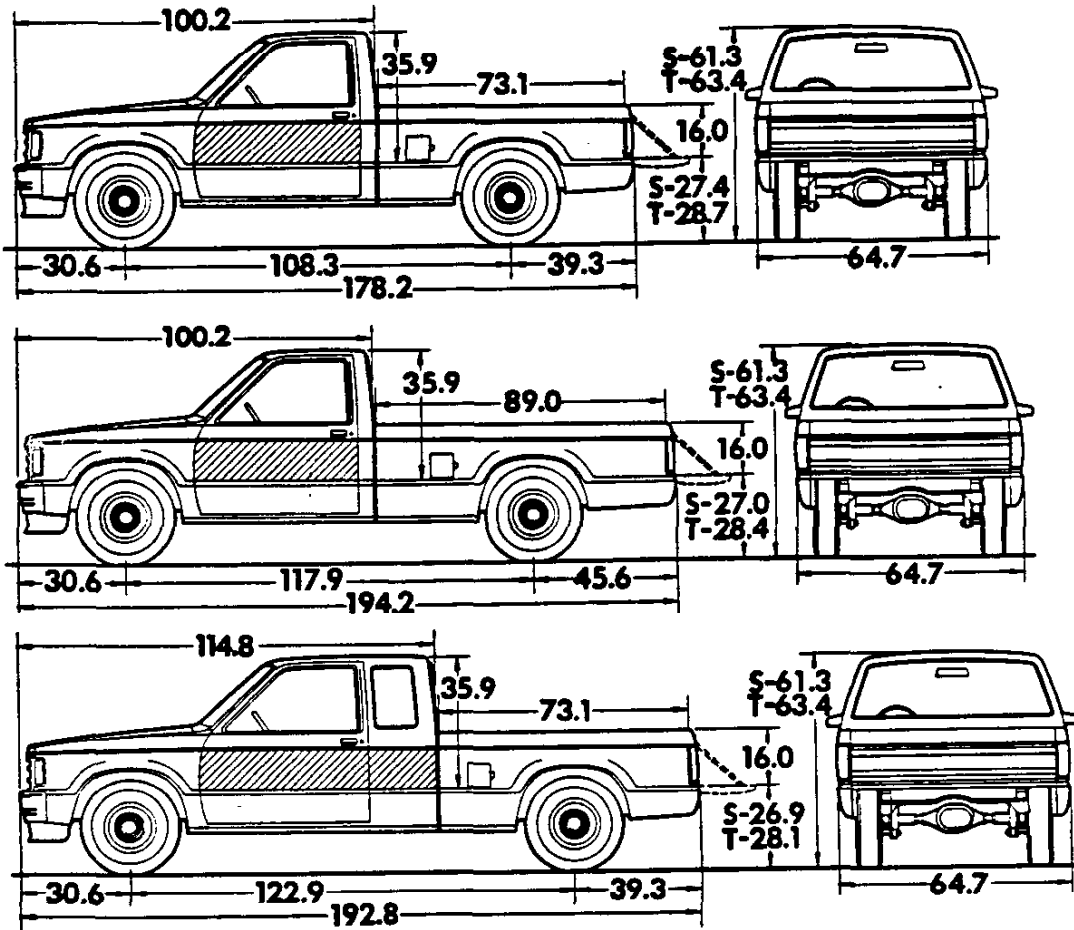
▲ 315 CCA in California

BASOLINE

S-10/15 PICKUP 2- & 4-WHEEL DRIVE

DIESEL

Body Ordering Code: E63



Sign Panel Areas (side)
 Regular Cab - 12 1/4" x 45"
 Extended Cab - 12 1/4" x 64"

Cab to Axle (CA)
 108.3" WB - 38.7"
 117.9" WB - 48.3"
 122.9" WB - 38.7"

Model	Body Ordering Code	Engine No. Cyl.	Curb Weight (lb)			Model Weights (lb)*			Ground Clearance (in)*
			Front	Rear	Total	Front	Rear	Total	Minimum
S-10/15 MODELS (2-WHEEL DRIVE)									
S10603	E63	4	1505	1069	2574	1730	1294	3024	6.4
S10803	E63	4	1544	1105	2649	1787	1312	3099	6.4
S10653	E63	4	1571	1134	2705	1826	1329	3155	6.4
S-10/15 MODELS (4-WHEEL DRIVE)									
T10603	E63	4	1756	1157	2913	1981	1382	3363	6.9
T10803	E63	4	1812	1160	2972	2037	1385	3422	6.9
T10653	E63	4	1822	1223	3045	2077	1418	3495	6.9

* Dimensions with standard equipment, unloaded.

* Model Weights include curb weight plus occupants (standard seating capacity x 150 lbs.). Total Weight may vary as much as ±50 lbs. to allow for production build variation.

* Curb and Model Weights shown are for gasoline engine models. For diesel engine model Curb and Model Weights add: for model S10603—front, 276 lbs; rear, 38 lbs. For model S10803—front, 273 lbs; rear 37 lbs. For model S10653—front, 258 lbs; rear 35 lbs.

S-10/15 PICKUP 2- & 4-WHEEL DRIVE

PAYLOAD SELECTORS

±Maximum Ratings				Minimum Equipment Required for GVW Rating		
Payload (lb)	GVW Range (lb)	†GAWR (lb)		Tires, Front	Tires, Rear	Chassis Equipment
		Front	Rear			

S-10/15 MODELS (2 WHEEL DRIVE)

1000	●3535 to 4380	2500	2300	P195/75R14	P195/75R14	Standard
1250	4132 to 4812	2500	2544	P195/75R14	P195/75R14	▲1250-lb. Payload Package (C3D)
1500	4100 to 4928	2500	2544	P195/75R14	P195/75R14	▲1500-lb. Payload Package (C3A)
1625	4240 to 4981	2500	2600	P205/75R14	P205/75R14	▲1625-lb. Payload Package (C3C)

S-10/15 MODELS (4 WHEEL DRIVE)

1000	3850 to 4820	2684	2300	P195/75R15	P195/75R15	Standard
1500	4435 to 5345	2684	2684	P195/75R15	P195/75R15	▲1500-lb. Payload Package (C3A)

†GAWRs shown are the maximum for each axle with the equipment listed. Maximum ratings include an additional 50 lbs. allowance for vehicle weight variance.

†GAWR - Gross Axle Weight Rating.

▲See payload option restrictions for engine requirements.

◆Not available on S10653 Extended Cab models.

●Diesel engine models rated 3892 to 4557.

■Available on diesel models only; not available in the state of California.

S-10/15 PICKUP 2- & 4-WHEEL DRIVE

POWER TEAMS

ALL STATES EXCEPT CALIFORNIA

■ PAYLOADS:
 C3B: 1000 lbs.
 C3D: 1250 lbs.
 C3A: 1500 lbs.
 C3C: 1625 lbs.

POWER TEAMS (MUST ORDER ENGINE, TRANSMISSION AND REAR AXLE)

W/NA5 STANDARD EMISSION EQUIPMENT										
ENGINE	TRANSMISSION			AXLES					PAYLOAD	
	4-SP	5-SP	AUTO	2.73	3.08	3.42	3.73	4.11		
—S10603-S10803										
LR1 L4 1.9 Liter 2BBL	@MM4				GU4	GQ1	—	—	w/C3B	
		@MM5			GQ1	GU4	—	—	w/C3B	
LQ2 L4 2.0 Liter 2BBL	*MM4				—	GQ1	GT4	—	w/C3B	
	MM4				—	—	GQ1	—	w/C3A	
		MM5			—	—	GQ1	GT4	w/C3B	
		MM5			—	—	—	GQ1	w/C3A	
		MX0			—	—	GQ1	H04	w/C3B	
		MX0			—	—	—	GQ1	w/C3A	
LR2 V6 2.8 Liter 2BBL	MM4				—	GQ1	GU6	—	N/A C3D	
		MM5			—	—	GQ1	—	N/A C3D	
		MX0			—	GQ1	GU6	%GT4	N/A C3D	
LQ7 L4 Diesel 2.2 Liter (Reqs B3J)	MM4	MM5			—	—	GQ1	GT4	w/C3B-C3D	
—S10653										
LQ2 L4 2.0 Liter 2BBL	MM4	MM5			—	—	GQ1	GT4	w/C3B	
	MM4	MM5			—	—	—	GQ1	w/C3A	
			MX0		—	—	—	GQ1	H04	w/C3B
			MX0		—	—	—	—	GQ1	w/C3A
LR2 V6 2.8 Liter 2BBL	MM4				—	GQ1	GU6	—	w/C3A-C3B	
		MM5			—	—	GQ1	—	w/C3A-C3B	
		MX0			—	GQ1	GU6	%GT4	w/C3A-C3B	
LQ7 L4 Diesel 2.2 Liter (Reqs B3J)	MM4	MM5			—	—	GQ1	GT4	w/C3B-C3D	
—T10603-T10803-T10653										
LQ2 L4 2.0 Liter 2BBL	MM4	MM5			—	—	—	GQ1	H04	w/C3B
LR2 V6 2.8 Liter 2BBL (Reqs N40 Steering)	MM4				—	—	#GQ1	GT4	w/C3A-C3B	
		MM5			—	—	—	GQ1	w/C3A-C3B	
		MX0			—	—	#GQ1	GT4	*H04	w/C3A-C3B
W/NA6 HIGH ALTITUDE EMISSION EQUIPMENT										
ENGINE	TRANSMISSION			AXLES					PAYLOAD	
	4-SP	5-SP	AUTO				3.73	4.11		
—S10603-S10803										
LR1 L4 1.9 Liter 2BBL	@MM4						GQ1	—	w/C3B	
							—	—	w/C3B	
LQ2 L4 2.0 Liter 2BBL	*MM4	MM5					GQ1	—	w/C3B	
	MM4	MM5					GQ1	—	w/C3A	
			MX0				—	GQ1	w/C3A-C3B	
LR2 V6 2.8 Liter 2BBL	MM4	MM5	MX0				GQ1	—	N/A C3D	
—S10653										
LQ2 L4 2.0 Liter 2BBL	MM4	MM5					GQ1	—	w/C3A-C3B	
			MX0				—	GQ1	w/C3A-C3B	
LR2 V6 2.8 Liter 2BBL	MM4	MM5	MX0				GQ1	—	w/C3A-C3B	
—T10603-T10803-T10653										
LQ2 L4 2.0 Liter 2BBL	MM4	MM5					—	GQ1	w/C3B	
LR2 V6 2.8 Liter 2BBL (Reqs N40 Steering)	MM4	MM5	MX0				#GQ1	**H04	w/C3A-C3B	

#N/A P235/75R15 Tires
 *Reqs P235/75R15 Tires and Z82 Trailering
 %Reqs Z82 Trailering

@S10603 Only, Reqs Z07 Special Economy Truck ■Refer to page 15 for payload restrictions.
 \$S10803 Only
 ●S10603 Only **Reqs P235/75R15 Tires

S-10/15 PICKUP 2- & 4-WHEEL DRIVE

POWER TEAMS CALIFORNIA ONLY

■ PAYLOADS:
C3B: 1000 lbs.
C3D: 1250 lbs.
C3A: 1500 lbs.
C3C: 1625 lbs.

POWER TEAMS (CONT'D) (MUST ORDER ENGINE, TRANSMISSION AND REAR AXLE)

W/Y/FB CALIFORNIA EMISSION REQUIREMENTS

ENGINE	TRANSMISSION			AXLES				PAYLOAD
	4SP	5SP	AUTO	3.08	3.42	3.73	4.11	
—S10603-S10803								
LR1 L4 1.9 Liter 2BBL	MM4	MM5		GU4	GQ1	—	—	w/C3B
	MM4	MM5		—	—	GQ1	—	w/C3A
			MX1	—	GQ1	GT4	—	w/C3B
			MX1	—	—	GQ1	H04	w/C3A
LR2 V6 2.8 Liter 2BBL	MM4			GQ1	GU6	—	—	N/A C3D
		MM5		—	GQ1	—	—	N/A C3D
			MX0	GQ1	GU6	%GT4	—	N/A C3D
LQ7 L4 Diesel 2.2 Liter (Reqs B3J)	MM4	MM5		—	GQ1	GT4	—	w/C3B-C3D
—S10653								
LR1 L4 1.9 Liter 2BBL	MM4	MM5		GU4	GQ1	—	—	w/C3B
	MM4	MM5		—	—	GQ1	—	w/C3A
			MX1	—	GQ1	GT4	—	w/C3B
			MX1	—	—	GQ1	H04	w/C3A
LQ7 L4 Diesel 2.2 Liter (Reqs B3J)	MM4	MM5		—	GQ1	GT4	—	w/C3B-C3D
LR2 V6 2.8 Liter 2BBL	MM4			GQ1	GU6	—	—	w/C3A-C3B
		MM5		—	GQ1	—	—	w/C3A-C3B
			MX0	GQ1	GU6	%GT4	—	w/C3A-C3B
—T10603-T10803-T10653								
LR1 L4 1.9 Liter 2BBL	MM4	MM5		—	—	GQ1	H04	w/C3B
LR2 V6 2.8 Liter 2BBL (Reqs N40 Steering)	MM4			—	#GQ1	GT4	—	w/C3A-C3B
		MM5		—	—	GQ1	**H04	w/C3A-C3B
			MX0	—	#GQ1	GT4	*H04	w/C3A-C3B

■ Refer to page 15 for payload restrictions.

#N/A P235/75R15 Tires

*Reqs P235/75R15 Tires and Z82 Trailering

**Reqs P235/75R15 Tires

%Reqs Z82 Trailering

ENGINE RATINGS—ALL STATES

SAE Net Ratings	1.9 Liter 119-2 BBL L4	2.0 Liter★ 121-2 BBL L4	2.8 Liter 173-2 BBL V6	2.2 Liter 136.6 L4 Diesel
Net Horsepower	82 @ 4600 rpm	83 @ 4600 rpm	110 @ 4800 rpm	62 @ 4300 rpm
Net Torque, lb-ft	101 @ 3000 rpm	108 @ 2400 rpm	145 @ 2100 rpm	96 @ 2200 rpm

★Not available for registration in the State of California.

S10/15 2 AND 4 WHEEL DRIVE PICKUP (1000-lb - 1625-lb Payload)

1984 VEHICLES WITH STANDARD EQUIPMENT

Prices shown are effective with vehicles produced on and after February 13, 1984

Description	Model Number	Body Code	Wheel Base	Factory D&H(s)	List Price	Mfr's Suggested Retail Price*	Group Number
<i>(All Series have Regular Cab unless otherwise indicated)</i>							
◆ 4-Cylinder 1.9 Liter 2 BBL L4 Gasoline Engine-Engine Ordering Code LR1							
S10/15 Series 2-Wheel Drive							
Fleetside/Wideside (6-ft)	CS/TS10603	E63	108.3'	N.A.	6398.00	6398.00	10
◆ 4-Cylinder 2.0 Liter 2 BBL L4 Gasoline Engine-Engine Ordering Code LQ2							
S10/15 Series 2-Wheel Drive							
Fleetside/Wideside (7 1/3-ft)	CS/TS10803	E63	117.9'	N.A.	6551.00	6551.00	10
Extended Cab.							
Fleetside/Wideside (6-ft)	CS/TS10653	E63	122.9'	N.A.	6924.00	6924.00	10
S10/15 Series 4-Wheel Drive							
Fleetside/Wideside (6-ft)	CT/TT10603	E63	108.3'	N.A.	8066.00	8066.00	10
Fleetside/Wideside (7 1/3-ft)	CT/TT10803	E63	117.9'	N.A.	8219.00	8219.00	10
Extended Cab							
Fleetside/Wideside (8-ft)	CT/TT10653	E63	122.9'	N.A.	8561.00	8561.00	10
◆ 4-Cylinder 2.2 Liter L4 Diesel Engine-Engine Ordering Code LQ7							
S10/15 Series 2-Wheel Drive							
Fleetside/Wideside (6-ft)	CS/TS10603	E63 & B3J	108.3'	N.A.	7301.00	7301.00	10
Fleetside/Wideside (7 1/3-ft)	CS/TS10803	E63 & B3J	117.9'	N.A.	7454.00	7454.00	10
Extended Cab.							
Fleetside/Wideside (6-ft)	CS/TS10653	E63 & B3J	122.9'	N.A.	7827.00	7827.00	10

★ Manufacturer's Suggested Retail Prices do not include applicable destination charges, state and local taxes, license fees, optional equipment or accessories or special items or services.

◆ Refer to Dealer Order Guide for California Requirements.

OPTIONS AND ACCESSORIES WHEN INSTALLED BY GENERAL MOTORS

Prices shown are effective with vehicles produced on and after February 13, 1984

Description	Option Number	Factory D&H(s)	List Price	Mfr's Suggested Retail Price◇
Durango/High Sierra Equipment: (See Interior and Exterior Color Selection Charts) Includes V22 Black and Chromed Grille, black and chromed headlamp bezels, VG3 Deluxe Chromed Front Bumper With Rub Strip, special decal on tailgate, side window defogger, deluxe vent system, courtesy lamp, glove box and ashtray lamps, headlamp warning buzzer, U37 Cigarette Lighter, folding bench seat, deluxe steering wheel, color-keyed floor mats, dash and front floor insulation and deluxe appearance.				
S1 Regular Cab only. Available only when Special Custom or Custom Trim is specified. Includes C91 Dome Lamp.				
Without ZQ8 Sport Suspension or QYH P215/65R15 Tires. Also includes P08 Trim Rings				
	YC1	N.A.	334.00	334.00
With ZQ8 Sport Suspension or QYH P215/65R15 Tires				
	YC1	N.A.	280.00	280.00
T1 Regular Cab only. Available only when Special Custom or Custom Trim is specified. Also includes C91 Dome Lamp and P08 Trim Rings				
	YC1	N.A.	334.00	334.00
Extended Cab only. Also includes P08 Trim Rings				
	YC1	N.A.	285.00	285.00

(a) D & H Charges on vehicle and optional equipment include reimbursement to ordering Division for any tax that it has paid, incurred or agreed to pay thereon.

◇ State and local taxes not included.

S10/15 2 AND 4 WHEEL DRIVE PICKUP

OPTIONS AND ACCESSORIES WHEN INSTALLED BY GENERAL MOTORS

Prices shown are effective with vehicles produced on and after February 13, 1984

Description	Option Number	Factory D&H(a)	List Price	Mfr's Suggested Retail Price ◊
Tahoe/Sierra Classic Equipment: (See Interior and Exterior Color Selection Charts) includes V22 Black and Chromed Grille, black and chromed headlamp bezels, color-keyed door handle inserts, B96 Bright Wheel Opening Moldings, chromed taillamp molding, special applique on tailgate, D34 Visor Mirror, color-keyed carpeting, courtesy lamps, glove box and ashtray lamps, headlamp warning buzzer, U37 Cigarette Lighter, side window defogger, deluxe vent system, cab back insulation, headliner and VG3 Deluxe Chromed Front Bumper with rub strip.				
Regular Cab. Available only when Special Custom or Custom Trim is specified. Also includes C91 Dome Lamp.				
Without B3J Diesel Equipment				
S1 Regular Cab only.				
Without YJ5 Exterior Decor. Also includes B84 Black Body Side Moldings.				
Without ZQ8 Sport Suspension or QYH P215/65R15 Tires. Also includes P01 Bright Wheel Covers and Z53 Gage Package with Trip Odometer				
	YC2	N.A.	585.00	585.00
With ZQ8 Sport Suspension or QHY P215/65R15 Tires. Also includes Z53 Gage Package with Trip Odometer				
	YC2	N.A.	546.00	546.00
With YJ5 Exterior Decor.				
Without ZQ8 Sport Suspension or QHY P215/65R15 Tires. Also includes P01 Bright Wheel covers and Z53 Gage Package with trip odometer				
	YC2	N.A.	474.00	474.00
With ZQ8 Sport Suspension and QHY P215/65R15 Tires. Also includes Z53 Gage Package with Trip Odometer				
	YC2	N.A.	435.00	435.00
S1 Extended Cab only. Available only when Special Custom or Custom Trim is specified. Also includes P01 Bright Wheel Covers, AJ2 Jump Seats and Z53 Gage Package with Trip Odometer.				
Without YJ5 Exterior Decor. Also includes B84 Black Body Side Moldings.				
Without QHY P215/65R15 Tires				
	YC2	N.A.	960.00	960.00
With QHY P215/65R15 Tires				
	YC2	N.A.	921.00	921.00
With YJ5 Exterior Decor				
Without QHY P215/65R15 Tires				
	YC2	N.A.	849.00	849.00
With QHY P215/65R15 Tires				
	YC2	N.A.	810.00	810.00
T1 Regular Cab only. Also includes P06 Trim Rings and Z53 Gage Package with Trip Odometer				
Without YJ5 Exterior Decor. Also includes B84 Black Body Side Moldings				
	YC2	N.A.	600.00	600.00
With YJ5 Exterior Decor				
	YC2	N.A.	489.00	489.00
T1 Extended Cab only. Available only when Special Custom or Custom Trim is specified. Also includes P06 Trim Rings, AJ2 Jump Seats and Z53 Gage Package with Trip Odometer				
Without YJ5 Exterior Decor. Also includes B84 Black Body Side Moldings				
	YC2	N.A.	975.00	975.00
With YJ5 Exterior Decor				
	YC2	N.A.	864.00	864.00
With B3J Diesel Equipment				
S1 Regular Cab. Also includes P01 Bright Wheel Covers and Tachometer				
Without YJ5 Exterior Decor. Also includes B84 Black Body Side Moldings				
	YC2	N.A.	638.00	638.00
With YJ5 Exterior Decor				
	YC2	N.A.	527.00	527.00
S1 Extended Cab only. Available only when Special Custom or Custom Trim is specified. Also includes P01 Bright Wheel Covers, AJ2 Jump Seats and Tachometer				
Without YJ5 Exterior Decor. Also includes B84 Black Body Side Moldings				
	YC2	N.A.	1013.00	1013.00
With YJ5 Exterior Decor				
	YC2	N.A.	902.00	902.00

(a) D & H Charges on vehicle and optional equipment include reimbursement to ordering Division for any tax that it has paid, incurred or agreed to pay thereon.
 ◊ State and local taxes not included.

S10/15 2 AND 4 WHEEL DRIVE PICKUP

OPTIONS AND ACCESSORIES WHEN INSTALLED BY GENERAL MOTORS

Prices shown are effective with vehicles produced on and after February 13, 1984

Description	Option Number	Factory D&H(s)	List Price	Mfr's Suggested Retail Price ◊
Sport/Gypsy Equipment: (See Interior and Exterior Color Selection Charts) Available only when Sport Bucket Seats and ZY7 Sport Two-Tone Paint are specified. Includes V22 Black and Chromed Grille, black and chromed headlamp bezels, color-keyed door handle inserts, B74 Black Wheel Opening Moldings, chromed taillamp molding, special applique on tailgate, color-keyed front bumper with rub strip, D34 Visor Mirror, U37 Cigarette Lighter, C91 Dome Lamp, courtesy lamps, glove box and ashtray lamps, deluxe vent system and side window defogger, headlamp warning buzzer, folding back bucket seats, D55 Console, full color-keyed carpet, cab back insulation, headliner, special steering wheel and column.				
Without B3J Diesel Equipment.				
S1 Regular cab only.				
Without YJ4 or YJ5 Exterior Decor. Also includes B84 Black Body Side Moldings.				
Without ZQ8 Sport Suspension or QHY P215/65R15 Tires. Also includes ZJ7 Argent Styled Wheels and Z53 Gage Package with Trip Odometer	YC3	N.A.	840.00	840.00
With ZQ8 Sport Suspension or QHY P215/65 Tires. Also includes Z53 Gage Package with Trip Odometer	YC3	N.A.	752.00	752.00
With YJ4 or YJ5 Exterior Decor.				
Without ZQ8 Sport Suspension or QHY P215/65R15 Tires. Also includes ZJ7 Argent Styled Wheels and Z53 Gage Package with Trip Odometer	YC3	N.A.	729.00	729.00
With ZQ8 Sport Suspension or QHY P215/65R15 Tires. Also includes Z53 Gage Package with Trip Odometer	YC3	N.A.	641.00	641.00
S1 Extended Cab only. Also includes AJ2 Jump Seats, Z53 Gage Package with Trip Odometer and ZJ7 Argent Styled Wheels				
Without YJ5 Exterior Decor. Also includes B84 Black Body Side Moldings				
Without QYH P215/65R15 Tires	YC3	N.A.	1145.00	1145.00
With QYH P215/65R15 Tires	YC3	N.A.	1057.00	1057.00
With YJ5 Exterior Decor.				
Without QYH P215/65R15 Tires	YC3	N.A.	1034.00	1034.00
With QYH P215/65R15 Tires	YC3	N.A.	946.00	946.00
T1 Regular Cab only. Also includes P06 Trim Rings and Z53 Gage Package with Trip Odometer				
Without YJ5 Exterior Decor. Also includes B84 Black Body Side Moldings	YC3	N.A.	806.00	806.00
With YJ5 Exterior Decor	YC3	N.A.	695.00	695.00
T1 Extended Cab only. Also includes AJ2 Jump Seats, P06 Trim Rings and Z53 Gage Package with Trip Odometer				
Without YJ5 Exterior Decor. Also includes B84 Black Body Side Moldings	YC3	N.A.	1111.00	1111.00
With YJ5 Exterior Decor	YC3	N.A.	1000.00	1000.00
With B3J Diesel Equipment.				
S1 Regular Cab only. Also includes ZJ7 Argent Styled Wheels and Tachometer				
Without YJ4 or YJ5 Exterior Decor. Also includes B84 Black Body Side Moldings	YC3	N.A.	893.00	893.00
With YJ4 or YJ5 Exterior Decor	YC3	N.A.	782.00	782.00
S1 Extended Cab only. Also includes AJ2 Jump Seats, Tachometer and ZJ7 Argent Styled Wheels				
Without YJ5 Exterior Decor. Also includes B84 Black Body Side Moldings	YC3	N.A.	1198.00	1198.00
With YJ5 Exterior Decor	YC3	N.A.	1087.00	1087.00
Seat Trim: (See Interior and Exterior Color Selection Chart for availability and ordering information).				
V**1 Vinyl Bench. Not available when YC1, YC2 or YC3 is specified	...	NO ADDITIONAL CHARGE		

(a) D & H Charges on vehicle and optional equipment include reimbursement to ordering Division for any tax that it has paid, incurred or agreed to pay thereon.
 ◊ State and local taxes not included.

S10/15 2 AND 4 WHEEL DRIVE PICKUP

OPTIONS AND ACCESSORIES WHEN INSTALLED BY GENERAL MOTORS

Prices shown are effective with vehicles produced on and after February 13, 1984

Description	Option Number	Factory D&H(a)	List Price	Mfr's Suggested Retail Price ◊
Seat Trim: (Continued)				
L**1 Custom Cloth Bench. Not available when YC3 is specified	...	NO ADDITIONAL CHARGE		
X**1 Custom Vinyl Bench. Not available when YC3 is specified.	...	NO ADDITIONAL CHARGE		
Without YC1 or YC2	...	N.A.	50.00	50.00
With YC1 or YC2	...	NO ADDITIONAL CHARGE		
X**4 Custom Vinyl High Back Buckets. Driver and Passenger. Replaces vinyl bench seat.				
Regular Cab only				
Without YC2 or YC1	...	N.A.	172.00	172.00
With YC2 or YC1	...	N.A.	122.00	122.00
Extended Cab only				
Without YC2 or YC1	...	N.A.	185.00	185.00
With YC2	...	NO ADDITIONAL CHARGE		
With YC1	...	N.A.	137.00	137.00
H**4 Special Custom Cloth High Back Buckets. Available when YC2 is specified				
Regular Cab only				
Extended Cab only	...	N.A.	122.00	122.00
With YC1	...	N.A.	137.00	137.00
With YC2	...	NO ADDITIONAL CHARGE		
S**4 Sport Cloth High Back Buckets. Included when YC3 is specified				
NO ADDITIONAL CHARGE				
B**4 High Country Sheepskin High-Back Buckets. Available only when YC2 or YC3 is specified.				
Regular Cab only				
With YC2	...	N.A.	415.00	415.00
With YC3	...	N.A.	295.00	295.00
Extended Cab only. Jump Seats are vinyl trim	...	N.A.	295.00	295.00
Paints, Exterior: (See Interior and Exterior Color Selection Chart for ordering information and paint application).				
Solid	ZY1	NO ADDITIONAL CHARGE		
Sport Two-Tone. Included when YC3 is specified.				
Without YC2 or YJ5 Exterior Decor. Includes paint striping and area below striping painted secondary color choice. Available only when VT3 or VG3 Bumpers are specified	ZY7	N.A.	220.00	220.00
With YC2. Area below B84 Body Side and Bright Wheel Opening Moldings Painted Secondary Color Choice	ZY7	N.A.	155.00	155.00
With YJ5 Exterior Decor. Area below striping painted secondary color choice. Available only when VT3 or VG3 Bumpers are specified	ZY7	N.A.	155.00	155.00
Special Two-Tone. Middle area painted secondary color choice. Not available when YC3 is specified.				
Without YC2. Includes B84 Body Side and Bright Wheel Opening Moldings. Available only when VT3 or VG3 Bumpers are specified	ZY8	N.A.	301.00	301.00
With YC2	ZY8	N.A.	162.00	162.00
Emission Systems: Dealer Note - One of the following emission options must be specified. (See Power Teams Chart for availability and complete specifications.)				
California Emission Requirements. Includes all testing, equipment and /or certification necessary for registration in the state of California. Not Available when NA5 Standard Emissions, NA6 High Altitude Emissions or B3J Diesel Equipment is specified				
High Altitude Emission Equipment. Not available when B3J Diesel Equipment is specified	YF5	N.A.	99.00	99.00
Standard Emission Equipment. Not available when YF5 California Emissions or NA6 High Altitude Emissions are specified	NA6	NO ADDITIONAL CHARGE		
	NA5	NO ADDITIONAL CHARGE		

(a) D & H Charges on vehicle and optional equipment include reimbursement to ordering Division for any tax that it has paid, incurred or agreed to pay thereon.
 ◊ State and local taxes not included.

S10/15 2 AND 4 WHEEL DRIVE PICKUP

OPTIONS AND ACCESSORIES WHEN INSTALLED BY GENERAL MOTORS

Prices shown are effective with vehicles produced on and after February 13, 1984

Description	Option Number	Factory D&H(a)	List Price	Mfr's Suggested Retail Price ◊
Engines: (See Power Teams Chart for availability and complete specifications)				
Gasoline				
1.9 Liter 2 BBL L4. Standard on S10803 series only. Available only when YF5 California Emissions is specified on S10803, S-T1 Extended Cab or T1 Regular Cab.	LR1			
2.0 Liter 2 BBL L4. Standard on S10803-S10853 and T1 Series only. Available on S1 Regular Cab only. Not available when YF5 California Emissions is specified.	LQ2			
2.8 Liter 2 BBL V6. T1 Series available only when N40 Power Steering is specified.	LR2	N.A.	243.00	243.00
Diesel				
2.2 Liter L4 Diesel. S1 Series only. Available only when B3J Diesel Equipment is specified.	LQ7			
Transmissions: (See Power Teams Chart for availability and Complete Specifications)				
3-Speed Automatic. S1 Series only. Available only when LR1 1.9 Liter Engine and YF5 California Emissions are specified	MX1	N.A.	475.00	475.00
4-Speed Automatic with Overdrive. Not available with LR1 1.9 Liter Engine, B3J Diesel Equipment or on T1 Series with LQ2 2.0 Liter Engine.	MX0	N.A.	650.00	650.00
4-Speed Manual. Not available with LQ2 2.0 Liter Engine on S10803 with C3B 1,000-lb Payload Capacity.	MM4			
5-Speed Manual with Overdrive. Not available when LR1 1.9 Liter Engine and NAB High Altitude Emission are specified on S1 Regular Cab. S10803 with NAB Standard Emissions and LR1 1.9 Liter Engine available only when Z07 Special Economy Truck is specified. Included with Z07 Special Economy Truck.	MM5	N.A.	225.00	225.00
Axles, Rear: (See Power Teams Chart for option number selection, availability and complete specifications)				
Optional Ratio.	N.A.	38.00	38.00
Locking Differential.				
S1 Series without ZK4 or ZK5 Spare Tire. Includes T145/80D16 Compact Spare Tire.	G80	N.A.	230.00	230.00
S1 Series with ZK4 or ZK5 Spare Tire and T1 Series.	G80	N.A.	230.00	230.00
Tires:				
S1 Series. All Front and Rear rim sizes are 6.00" except when QYH Tires are specified, then rim size is 7.00"				
T1 Series. All Front and Rear rim sizes are 6.00" except when QEB Tires or N90 Wheels are specified, then wheel size is 7.00"				
TUBELESS				
P195/75R14 Highway Fiberglass Belted Radial Ply Blackwall (Maximum Capacity 1272-lbs). S1 Series only.	QYF			
P195/75R14 All Seasons Steel Belted Radial Ply Blackwall (Maximum Capacity 1272-lbs). S1 Series only. (Standard)	QMW			
P195/75R14 All Seasons Steel Belted Radial Ply Whitewall (Maximum Capacity 1272-lbs). S1 Series only. Not available with YJ4 Exterior Decor.	QMX	N.C.	84.00	84.00
P205/75R14 All Seasons Steel Belted Radial Ply Blackwall (Maximum Capacity 1392-lbs). S1 Series only.	QFT	N.C.	31.00	31.00
P205/75R14 All Seasons Steel Belted Radial Ply Whitewall (Maximum Capacity 1392-lbs). S1 Series only. Not available with YJ4 Exterior Decor.	QJR	N.C.	89.00	89.00
P205/75R14 All Seasons Steel Belted Radial Ply White Lettered (Maximum Capacity 1392-lbs). S1 Series only.	QSA	N.C.	122.00	122.00
P215/65R15 Highway Steel Belted Radial Ply White Lettered (Maximum Capacity 1365-lbs). S1 Series only. Available only when LR2 2.8 Liter Engine is specified. Not available when B3J Diesel Equipment is specified. Includes 15" X 7" Styled Wheels included when ZQ8 Sport Suspension is specified.	QYH	N.C.	332.00	332.00

(a) D & H Charges on vehicle and optional equipment include reimbursement to ordering Division for any tax that it has paid, incurred or agreed to pay thereon.
 ◊ State and local taxes not included.

S10/15 2 AND 4 WHEEL DRIVE PICKUP

OPTIONS AND ACCESSORIES WHEN INSTALLED BY GENERAL MOTORS

Prices shown are effective with vehicles produced on and after February 13, 1984

Description	Option Number	Factory D&H(a)	List Price	Mfr's Suggested Retail Price [◇]
Tires: (Continued)				
<i>P195/75R15 Highway Fiberglass Belted Radial Ply Blackwall</i> (Maximum Capacity 1342-lbs). T1 Series only. (Standard)	QYP	<i>NO ADDITIONAL CHARGE</i>		
<i>P195/75R15 Highway Fiberglass Belted Radial Ply Whitewall</i> (Maximum Capacity 1342-lbs). T1 Series only	QYQ	N.C.	64.00	64.00
<i>P205/75R15 Highway Steel Belted Radial Ply Blackwall</i> (Maximum Capacity 1453-lbs). T1 Series only	QJU	N.C.	97.00	97.00
<i>P205/75R15 On-Off Road Steel Belted Radial Ply White Lettered</i> (Maximum Capacity 1453-lbs). T1 Series only	QJL	N.C.	224.00	224.00
<i>P205/75R15 Highway Steel Belted Radial Ply White Lettered</i> (Maximum Capacity 1453-lbs). T1 Series only	QMC	N.C.	188.00	188.00
<i>P205/75R15 On-Off Road Steel Belted Radial Ply Blackwall</i> (Maximum Capacity 1453-lbs). T1 Series only. Not available when ZK4 Spare Tire is specified	QJT	N.C.	133.00	133.00
<i>P235/75R15 On-Off Road Steel Belted Radial Ply White Lettered</i> (Maximum Capacity 1453-lbs). T1 Series only. Available only when ZK5 Spare Tire and LR2 2.8 Liter Engine are specified. Included when Z71 Chassis Equipment Package is specified	QEB	N.C.	360.00	360.00

OTHER OPTIONS

Air Conditioning: All-Weather. Includes V01 H.D. Radiator when V02 Radiator and Transmission Oil Cooler is not specified. T1 Series available only when N40 Power Steering is specified.

Without B3J Diesel Equipment Package. Includes K81 86-Amp Generator.

Without YC1, YC2 or YC3

With YC1, YC2 or YC3

With B3J Diesel Equipment

Without YC1, YC2 or YC3

With YC1, YC2 or YC3

C60	N.A.	730.00	730.00
C60	N.A.	695.00	695.00
C60	N.A.	700.00	700.00
C60	N.A.	665.00	665.00

Battery: Heavy-Duty. 515 Cold Cranking Amps, Delco Freedom. Not available when B3J Diesel Equipment is specified. Included when V10 Cold-Climate Package is specified.

UA1	N.A.	50.00	50.00
-----	------	-------	-------

Brakes: Vacuum Power. Standard on T1 Series. Included when B3J Diesel Equipment, C3A 1500-lb or C3C 1625-lb Payload Capacity is specified

J50	N.A.	92.00	92.00
-----	------	-------	-------

Bumper Equipment:

Bumpers, Painted. Color-Keyed with rub strip. Available only when ZY7 Sport or ZY8 Special Two-Tone Paint is specified. Not available when VG3 Bumper is specified.

Front. Included when YC3 is specified.

Without YC1 or YC2

With YC1 or YC2

Rear Step. Available only when VT3 Front Bumper or YC3 is specified

VT3	N.A.	58.00	58.00
VT3	<i>NO ADDITIONAL CHARGE</i>		
VB2	N.A.	131.00	131.00

Rear Step, Black. Not available when VG3 or VT3 Front Bumpers, YC1, YC2, YC3, ZY7 Sport or ZY8 Special Two-Tone Paint is specified

V43	N.A.	115.00	115.00
-----	------	--------	--------

Bumpers Deluxe, Chromed.

Front with rub strip. Included when YC1 or YC2 is specified. Not available when YC3, VB2 or V43 Step Bumpers are specified

VG3	N.A.	59.00	59.00
-----	------	-------	-------

Rear with rub strip. Available only when VG3 Chromed Front Bumper, YC1 or YC2 is specified. Not available when YC3 or VT3 Color-Keyed Bumper is specified

VB3	N.A.	210.00	210.00
-----	------	--------	--------

Bumper Guards, Front, Black. Available only when VG3 Deluxe Chromed Bumper, VT3 Color-Keyed Front Bumper, YC1, YC2 or YC3 is specified

V28	N.A.	29.00	29.00
-----	------	-------	-------

(a) D & H Charges on vehicle and optional equipment include reimbursement to ordering Division for any tax that it has paid, incurred or agreed to pay thereon.

◇ State and local taxes not included.

S10/15 2 AND 4 WHEEL DRIVE PICKUP

OPTIONS AND ACCESSORIES WHEN INSTALLED BY GENERAL MOTORS

Prices shown are effective with vehicles produced on and after February 13, 1984

Description	Option Number	Factory D&H(s)	List Price	Mfr's Suggested Retail Price ◊
OTHER OPTIONS				
Chassis Equipment: Off Road Package. T10803-T10803 Series only. Not available when F51 H.D. Shocks are specified. Available only when C3A Payload Capacity is specified. Includes QEB P235/75R15 Tires, ZK5 Spare Tire, special torsion bars, shock absorbers, jounce bumpers and front stabilizer bar, NY7 Transfer Case Shield, NY1 Fuel Tank Shield, P06 Trim Rings and V76 Tow Hooks.				
Without YC1, YC2 or YC3	Z71	N.A.	743.00	743.00
With YC1, YC2 or YC3	Z71	N.A.	889.00	889.00
Clock: Electronic Digital. Available only when U09 or U69 Radio is specified	UE8	N.A.	39.00	39.00
Cold-Climate Package: Not available when B3J Diesel Equipment is specified. Includes UA1 H.D. Battery.				
Without C60 Air Conditioning. Also includes K81 66-Amp Generator.				
Without YC1, YC2 or YC3. Includes special insulation, carpeting on rear of cab, lower backlite and quarter trim moldings.	V10	N.A.	227.00	227.00
With YC2 or YC3	V10	N.A.	125.00	125.00
With YC1	V10	N.A.	192.00	192.00
With C60 Air Conditioning.				
Without YC2 or YC3. Includes special insulation, carpeting on rear of cab, lower backlite and quarter trim moldings	V10	N.A.	162.00	162.00
With YC2 or YC3	V10	N.A.	95.00	95.00
Console: Front Compartment Floor. Available only when Bucket Seats are specified. Included when YC3 is specified ..	D55	N.A.	105.00	105.00
Coolers:				
Engine Oil. S1 Series only. Available only when LR2 2.8 Liter Engine, MX0 Automatic Transmission and V01 Radiator or V02 Radiator and Transmission Oil Cooler are specified. .				
.....	KC4	N.A.	116.00	116.00
Radiator and Transmission Oil. H.D. Available only when LR2 2.8 Liter Engine and MX0 Transmission is specified.				
Without C60 Air Conditioning	V02	N.A.	108.00	108.00
With C60 Air Conditioning	V02	N.A.	57.00	57.00
Cooling: Radiator, Heavy-Duty. Not available when V02 Radiator and Transmission Oil Cooler is specified. Included when C60 Air Conditioning is specified	V01	N.A.	51.00	51.00
Decor, Exterior: (Chevrolet Only)				
Sunshine Striping. Available only when ZY1 Solid Paint or ZY7 Sport Two-Tone Paint is specified. When ZY7 Sport Two-Tone Paint is specified, colors 28, Galaxy Blue and 72 Apple Red are not available. Not available when YJ3 4x4 I.D., YJ4 Super Sport Exterior or B84 Black Body Side Moldings are specified. Includes 5 decal stripes along the full length of the vehicle. (See interior and exterior Color Availability Charts For Ordering Restrictions)				
Without YC2 or YC3. Available only when B74 Black or B96 Bright Wheel Opening Moldings are specified	YJ5	N.A.	95.00	95.00
With YC2 or YC3.	YJ5	N.A.	95.00	95.00
Super Sport. S10803 only. Available only when YC3 is specified. Not available when D45 Bright Exterior Mirrors or Whitewall Tires are specified. Includes decal striping on front fenders, doors, pickup box, black paint treatment for rally wheels and super sport lettering. The striping is located above the lower styling crease line, up around the wheel openings and across the tailgate. The words "Super Sport" in matching bright letters are applied below the striping on each side door. (See interior and exterior Color Availability Charts for Ordering Information)				
.....	YJ4	N.A.	165.00	165.00
4x4 I.D. T1 series only. Not available when YJ5 Sunshine Striping is specified. Includes 4x4 decal applied to upper rear corner of the pickup box. The standard 4x4 emblem located on the cab pillar is deleted				
.....	YJ3	N.A.	20.00	20.00

(a) D & H Charges on vehicle and optional equipment include reimbursement to ordering Division for any tax that it has paid, incurred or agreed to pay thereon.

◊ State and local taxes not included.

S10/15 2 AND 4 WHEEL DRIVE PICKUP

OPTIONS AND ACCESSORIES WHEN INSTALLED BY GENERAL MOTORS

Prices shown are effective with vehicles produced on and after February 13, 1984

Description	Option Number	Factory D&H(s)	List Price	Mfr's Suggested Retail Price ◊
OTHER OPTIONS				
Door Lock System, Power: Included when ZQ2 Operating Convenience Package is specified	AU3	N.A.	130.00	130.00
Floor Covering: Mats, Color-Keyed, Front. Available only when YC2 or YC3 is specified	B32	N.A.	14.00	14.00
Gages: Voltmeter, Temperature, Oil Pressure and Trip Odometer. Not available when B3J Diesel Equipment is specified. Included when YC2, YC3 or U16 Tachometer is specified	Z53	N.A.	58.00	58.00
Tachometer. Included when B3J Diesel Equipment and YC2 or YC3 are specified				
Without YC2 or YC3. Includes Z53 Gage Package	U16	N.A.	109.00	109.00
With YC2 or YC3	U16	N.A.	53.00	53.00
Generator: 65-Amp Delcotron. Included when C60 Air Conditioning, B3J Diesel Equipment or V10 Cold-Climate Package is specified	K81	N.A.	30.00	30.00
Glass: Deep Tinted. Extended Cab only. Includes dark laminated glass on quarter windows and rear window. Also includes A20 Swing-Out Quarter Windows	AJ1	N.A.	130.00	130.00
Regular Cab only. Includes dark laminated glass on rear window and tinted glass for windshield glass, passenger and driver's side door glass.	AJ1	N.A.	50.00	50.00
Deep Tinted with Light Tinted Rear Window. Extended Cab only. Not available when AJ1 Deep Tinted glass is specified. Includes dark laminated glass on quarter windows. Also includes A20 Swing-Out Quarter Windows.	AA3	N.A.	85.00	85.00
Tinted. All Windows. Standard on Extended Cab only	A01	N.A.	45.00	45.00
Grille: Black and Chromed. Included when YC1, YC2 or YC3 is specified	V22	N.A.	56.00	56.00
Harness, Wiring: 5-Lead. Not available when Z82 Trailering Special or Z07 Special Economy Truck is specified	U89	N.A.	38.00	38.00
Headlamps, Halogen	TT4	N.A.	21.00	21.00
Heaters: Engine Block. 800 watts, 120 volts. Not available when B3J Diesel Equipment is specified	K05	N.A.	31.00	31.00
Engine Block and Fuel System. Available only when B3J Diesel Equipment is specified	K07	N.A.	85.00	85.00
Lamps: Included when TR9 Auxiliary Lighting is specified. Cargo Area. Regular Cab only. Without YC1, YC2 or YC3. Includes C91 Dome Lamp ..	UF2	N.A.	58.00	58.00
With YC1, YC2 or YC3	UF2	N.A.	33.00	33.00
Extended Cab only	UF2	N.A.	33.00	33.00
Dome. Standard on Extended Cab. Included when YC1, YC2, YC3 or UF2 Cargo Lamp is specified. Includes door actuated switches and bright lamp bezels	C91	N.A.	25.00	25.00
Lighter, Cigarette: Included when YC1, YC2 or YC3 is specified	U37	N.A.	23.00	23.00
Lighting, Auxiliary: Regular Cab only. Includes underhood light and UF2 Cargo Lamp. Without YC1, YC2 or YC3. Also includes ashtray light, glove box light, headlamp warning buzzer and C91 Dome Lamp	TR9	N.A.	90.00	90.00
With YC1, YC2 or YC3	TR9	N.A.	48.00	48.00
Extended Cab only. Includes underhood light and UF2 Cargo Lamp. Without YC1, YC2, or YC3. Also includes ashtray light, glove box light and headlamp warning buzzer	TR9	N.A.	65.00	65.00
With YC1, YC2 or YC3	TR9	N.A.	48.00	48.00

(e) D & H Charges on vehicle and optional equipment include reimbursement to ordering Division for any tax that it has paid, incurred or agreed to pay thereon.
◊ State and local taxes not included.

S10/15 2 AND 4 WHEEL DRIVE PICKUP

OPTIONS AND ACCESSORIES WHEN INSTALLED BY GENERAL MOTORS

Prices shown are effective with vehicles produced on and after February 13, 1984

Description	Option Number	Factory D&H(a)	List Price	Mfr's Suggested Retail Price ◊
OTHER OPTIONS				
Mirrors, Exterior: LH and RH. Below Eye-line Type. 9" x 6.5"				
<i>Painted</i>	D44	N.A.	48.00	48.00
<i>Bright.</i> Not available with YJ4 Exterior Decor	D45	N.A.	78.00	78.00
Mirror, Visor: RH. Included when YC2 or YC3 is specified	D34	N.A.	7.00	7.00
Moldings:				
<i>Body Side and Wheel Opening.</i> Included when YC2, YC3 or ZY8 Special Two-Tone Paint is specified. Includes lower side and rear moldings of black plastic with bright trim. Without YC3 also includes B96 Bright Wheel Opening Moldings. With YC3 includes B74 Black Wheel Opening Moldings.				
Without ZY7 Sport Two-Tone Paint	B84	N.A.	139.00	139.00
With ZY7 Sport Two-Tone Paint	B84	N.A.	74.00	74.00
<i>Guards, Door Edge</i>	B93	N.A.	16.00	16.00
<i>Wheel Opening.</i>				
Black. Not available when B96 Bright Wheel Opening Moldings are specified. Included when YC3 is specified.				
Without B84 Body Side and Wheel Opening Moldings	B74	N.A.	40.00	40.00
With B84 Body Side and Wheel Opening Moldings	B74	N.A.	12.00	12.00
Bright. Included when YC2, B84 Body Side and Wheel Opening Moldings or ZY8 Special Two-Tone Paint are specified. Not available when YC3 is specified.				
	B96	N.A.	28.00	28.00
Operating Convenience Package: Includes A03 Power Door Locks and A31 Power Windows				
	Z02	N.A.	310.00	310.00
Payload Capacities: (See Power Teams Chart for Engine, Transmission and Axle availability).				
1625-lbs. S1 Regular Cab only. Not available when B3J Diesel Equipment is specified. Available only when LR2 2.8 Liter Engine and P205 or P215 tires are specified. Includes F59 Stabilizer Bar, extra capacity rear springs and J50 Brakes				
	C3C	N.A.	185.00	185.00
1500-lbs. Not available when B3J Diesel Equipment is specified.				
S1 Regular Cab. When NA5 Standard or NA6 High Altitude Emissions is specified, available only when LQ2 2.0 Liter or LR2 2.8 Liter Engine is specified. When YF5 California Emissions are specified, LR1 1.9 Liter Engine is also available. Not available when P205 or P215 Tires are specified with LR2 2.8 Liter Engine. Includes F59 Stabilizer Bar, extra capacity rear springs and J50 Brakes				
	C3A	N.A.	185.00	185.00
S1 Extended Cab. Includes F59 Stabilizer Bar, extra capacity rear springs and J50 Brakes				
	C3A	N.A.	185.00	185.00
T1 Series. Available only when LR2 2.8 Liter Engine is specified. Includes extra capacity rear springs				
	C3A	N.A.	58.00	58.00
1250-lbs. S1 Series only. Available only when B3J Diesel Equipment is specified. Includes F59 Front Stabilizer				
	C3D	N.A.	93.00	93.00
1000-lbs	C3B	NO ADDITIONAL CHARGE		
Preliminary Price Information	B3W	N.A.	N.A.	N.A.
Radio Equipment:				
<i>AM Radio</i>	U63	N.A.	112.00	112.00
<i>AM/FM Radio</i>	U69	N.A.	171.00	171.00
<i>AM/FM Stereo Radio.</i> Electronically Tuned	UU9	N.A.	238.00	238.00
<i>AM/FM Stereo Radio with Stereo Cassette Tape and Clock.</i> Electronically Tuned	UU7	N.A.	377.00	377.00
<i>AM/FM Stereo Radio and Stereo Cassette Tape with Seek and Scan and Clock.</i> Includes U66 Premium Dual Rear Speakers Speakers, Premium. Dual Rear. Available only when UU9 or UU7 Radio is specified. Included when UM6 Radio is specified	UM6	N.A.	555.00	555.00
	U66	N.A.	25.00	25.00
Rails, Pickup Box Side	D73	N.A.	91.00	91.00

(a) D & H Charges on vehicle and optional equipment include reimbursement to ordering Division for any tax that it has paid, incurred or agreed to pay thereon.
 ◊ State and local taxes not included.

S10/15 2 AND 4 WHEEL DRIVE PICKUP

OPTIONS AND ACCESSORIES WHEN INSTALLED BY GENERAL MOTORS

Prices shown are effective with vehicles produced on and after February 13, 1984

Description	Option Number	Factory D&H(a)	List Price	Mfr's Suggested Retail Price \diamond
OTHER OPTIONS				
Seats:				
<i>Rear Jump.</i> Extended Cab only. Available only when bucket seats are specified. Included when YC2 or YC3 is specified	AJ2	N.A.	215.00	215.00
<i>Seat Backs, Adjustable, RH and LH</i> Extended Cab only. Available only when bucket seats are specified	A78	N.A.	65.00	65.00
Shields: T1 Series only. Included when Z71 Chassis Equipment is specified.				
<i>Fuel Tank.</i> Available only when NY7 Transfer Case Shield is specified	NY1	N.A.	47.00	47.00
<i>Transfer Case.</i> Includes front differential shield. Available only when NY1 Fuel Tank Shield is specified.	NY7	N.A.	65.00	65.00
Shock Absorbers: Heavy-Duty. Front and Rear. Not available when Z71 Chassis Equipment is specified. Included when ZQ8 Sport Suspension is specified				
	F51	N.A.	32.00	32.00
Spare Tires: Full size. Replaces standard compact spare. Not available with Z07 Special Economy Truck. Included when Z71 Chassis Equipment is specified.				
Highway				
With QYF P195/75R14 Highway Fiberglass Belted Radial Ply Blackwall. S1 Series only	ZK4	N.A.	31.00	31.00
With QYP P195/75R15 Highway Fiberglass Belted Radial Ply Blackwall. T1 Series only	ZK4	N.A.	31.00	31.00
With QYQ P195/75R15 Highway Fiberglass Belted Radial Ply Whitewall. T1 Series only	ZK4	N.A.	40.00	40.00
With QMW P195/75R14 Highway All Seasons Steel Belted Radial Ply Blackwall. S1 Series only	ZK4	N.A.	46.00	46.00
With QMX P195/75R14 Highway All Seasons Steel Belted Radial Ply Whitewall. S1 Series only	ZK4	N.A.	49.00	49.00
With QJU P205/75R15 Highway Steel Belted Radial Ply Blackwall. T1 Series only	ZK4	N.A.	52.00	52.00
With QMC P205/75R15 Highway Steel Belted Radial Ply White Lettered. T1 Series only	ZK4	N.A.	70.00	70.00
With QFT P205/75R14 Highway All Seasons Steel Belted Radial Ply Blackwall. S1 Series only	ZK4	N.A.	52.00	52.00
With QJR P205/75R14 Highway All Seasons Steel Belted Radial Ply Whitewall. S1 Series only	ZK4	N.A.	55.00	55.00
With QSA P205/75R14 Highway All Seasons Steel Belted Radial Ply White Lettered. S1 Series only	ZK4	N.A.	70.00	70.00
With QYH P215/65R15 Highway Steel Belted Radial Ply White Lettered. S1 Series only	ZK4	N.A.	97.00	97.00
On-Off Road				
With QJL P205/75R15 On-Off Road Steel Belted Radial Ply Lettered. T1 Series only	ZK5	N.A.	72.00	72.00
With QJT P205/75R15 On-Off Road Steel Belted Radial Ply Blackwall. T1 Series only	ZK5	N.A.	54.00	54.00
With QEB P235/75R15 On-Off Road Steel Belted Radial Ply White Lettered. T1 Series only	ZK5	N.A.	90.00	90.00
Special Economy Truck: S10603 only. Available only when LR1 1.9 Liter 2 BBL Engine, C3B 1,000-lb Payload Capacity and 2.73 or 3.08 Rear Axle Ratio are specified. Not available when NK2 Fuel Tank, U89 Wiring Harness, YC3, Z82 Trailering Special, ZQ8 Sport Suspension Equipment, YF5 California Emissions, NA6 High Altitude Emissions, ZK4 or ZK5 Spare Tire is specified. Includes open loop emission system, MM5 5-Speed Transmission and special front and rear springs.				
Without YC1 or YC2. Includes P01 Wheel Covers	Z07	N.A.	300.00	300.00
With YC1. Includes P01 Wheel Covers	Z07	N.A.	246.00	246.00
With YC2	Z07	N.A.	261.00	261.00
Speed Control, Electronic: Not available with MX0 Automatic Transmission when LQ2 2.0 Liter Engine is specified. Not available when B3J Diesel Equipment is specified.				
	K34	N.A.	185.00	185.00

a) D & H Charges on vehicle and optional equipment include reimbursement to ordering Division for any tax that it has paid, incurred or agreed to pay thereon.
 > State and local taxes not included.

S10/15 2 AND 4 WHEEL DRIVE PICKUP

OPTIONS AND ACCESSORIES WHEN INSTALLED BY GENERAL MOTORS

Prices shown are effective with vehicles produced on and after February 13, 1984

Description	Option Number	Factory D&H(s)	List Price	Mfr's Suggested Retail Price ◊
OTHER OPTIONS				
Stabilizer Bar: Front. Standard on T1 Series. Included when C3D 1250-lb, C3A 1500-lb or C3C 1625-lb Payload Capacity is specified	F59	N.A.	35.00	35.00
Steering: (One of the following steering options must be specified.)				
Power. Included when ZQ8 Sport Suspension Equipment or B3J Diesel Equipment is specified	N40	N.A.	252.00	252.00
Power, Not Desired. Not available when ZB2 Trailing Special is specified	N51	NO ADDITIONAL CHARGE		
Steering Wheel: Comfortilt	N33	N.A.	110.00	110.00
Striping: Available only when ZY1 Solid Paint is specified. Not available when B84 Body Side and Wheel Opening Moldings or YC3 is specified. (See interior and exterior Color Availability Charts for Ordering Information.)				
Black				
Without YJ5 Exterior Decor. Included when ZY7 Sport Two-Tone Paint is specified	09A	N.A.	65.00	65.00
With YJ5 Exterior Decor	09A	NO ADDITIONAL CHARGE		
Blue, Dark. Not available when YJ5 Exterior Decor is specified. Included when ZY7 Sport Two-Tone Paint is specified.	28A	N.A.	65.00	65.00
Gold				
Without YJ5 Exterior Decor. Included when ZY7 Sport Two-Tone Paint is specified	64A	N.A.	65.00	65.00
With YJ5 Exterior Decor	64A	NO ADDITIONAL CHARGE		
Red. Not available when YF5 Exterior Decor is specified. Included when ZY7 Sport Two-Tone Paint is specified ...	72A	N.A.	65.00	65.00
Silver				
Without YJ5 Exterior Decor. Included when ZY7 Sport Two-Tone Paint is specified	17A	N.A.	65.00	65.00
With YJ5 Exterior Decor	17A	NO ADDITIONAL CHARGE		
White				
Without YJ5 Exterior Decor. Included when ZY7 Sport Two-Tone Paint is specified	12A	N.A.	65.00	65.00
With YJ5 Exterior Decor	12A	NO ADDITIONAL CHARGE		
Suspension Equipment:				
Front, Heavy Duty, T1 series only. Includes H.D. front and rear shock absorbers. Recommended for snowplow type usage only	F60	N.A.	57.00	57.00
Sport. S1 Regular Cab only. Not available when B3J Diesel Equipment is specified. Available only when C3A 1500-lb payload or C3C 1625-lb payload is specified. Includes F51 H.D. Front and Rear Shocks, N40 Power Steering, QYH P215/65R15 Tires and 15" x 7" styled wheels	ZQ8	N.A.	560.00	560.00
Tank, Fuel: LH Frame Mounted. Replaces Standard Production Fuel Tank. Approximately 20-gallon capacity. Not available when Z07 Special Economy Truck is specified	NK2	N.A.	45.00	45.00
Towing Device: Two front hooks. T1 Series only. Included when Z71 Chassis Equipment is specified	V76	N.A.	35.00	35.00
Trailer Special: Heavy-Duty. Not available when Z07 Special Economy Truck is specified. Available only when LR2 2.8 Liter Engine, MX0 Transmission, N40 Power Steering, 3.73 or 4.11 Rear Axle Ratio, V02 Radiator and Transmission Oil Cooler and C3A or C3C Payload Capacity Option are specified. Also requires K81 68-Amp Generator when C60 Air Conditioning or V10 Cold-Climate Package is not specified. T1 Series with QEB Tires available only when 4.11 Rear Axle is specified. Includes 7-lead wiring harness, weight distributing hitch platform and H.D. flasher. (See Trailering Guide in Recreational Vehicle Section for GCW ratings with available power team combinations.)	ZB2	N.A.	193.00	193.00

(a) D & H Charges on vehicle and optional equipment include reimbursement to ordering Division for any tax that it has paid, incurred or agreed to pay thereon.
 ◊ State and local taxes not included.

S10/15 2 AND 4 WHEEL DRIVE PICKUP

OPTIONS AND ACCESSORIES WHEN INSTALLED BY GENERAL MOTORS

Prices shown are effective with vehicles produced on and after February 13, 1984

Description	Option Number	Factory D&H(s)	List Price	Mfr's Suggested Retail Price ◊
OTHER OPTIONS				
Wheel Trim:				
<i>Trim Rings. Not available on S1 series when YC2 or Z07 Special Economy Truck is specified. Included when ZJ7 Styled Wheels, Z71 Chassis Equipment, YC1 or YC3 is specified</i>				
	P06	N.A.	54.00	54.00
<i>Wheel Covers. S1 Series only. Not available when P06 Trim Rings, Z08 Sport Suspension Equipment, QYH P215 tires, YC3 or ZJ7 Styled Wheels are specified. Included when YC2 or Z07 Special Economy Truck is specified</i>				
	P01	N.A.	39.00	39.00
	P01	N.A.	(-15.00)	(-15.00)
Wheels: Not available when Z07 Special Economy Truck is specified.				
<i>Aluminum. Cast. Wheel size 7". Four wheels only. T1 Series only. Not available when QYP or QYQ P195 tires are specified.</i>				
	N90	N.A.	285.00	285.00
	N90	N.A.	231.00	231.00
<i>Styled. Wheel size 14" x 6". Four wheels only. S1 Series only. Not available when Z08 Sport Suspension Equipment or QYH P215 tires are specified. Included with YC3. Includes special hub caps and P06 Trim Rings.</i>				
	ZJ7	N.A.	88.00	88.00
	ZJ7	N.A.	34.00	34.00
	ZJ7	N.A.	49.00	49.00
Windows:				
<i>Power. Included when ZQ2 Operating Convenience Package is specified</i>				
	A31	N.A.	180.00	180.00
<i>Sliding Rear. Not available when AJ1 Deep Tinted Glass is specified</i>				
	A28	N.A.	104.00	104.00
<i>Swing-Out Quarter. Extended Cab only. Included with AJ1 or AA3 Deep Tinted Glass</i>				
	A20	N.A.	40.00	40.00
Windshield Wiper System: Intermittent				
	CD4	N.A.	50.00	50.00

a) D & H Charges on vehicle and optional equipment include reimbursement to ordering Division for any tax that it has paid, incurred or agreed to pay thereon.
 ◊ State and local taxes not included.

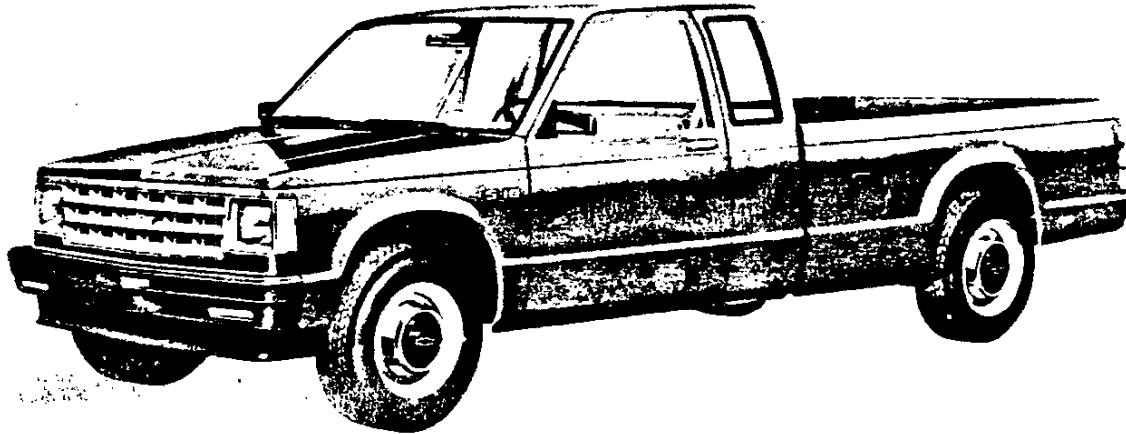
S-10/15 PICKUP 2- & 4-WHEEL DRIVE

**CAB & BODY FEATURES
CAB CONSTRUCTION
CAB DIMENSIONS
COLOR & TRIM CHARTS
TWO-TONES**

S-10/15 PICKUP 2- & 4-WHEEL DRIVE

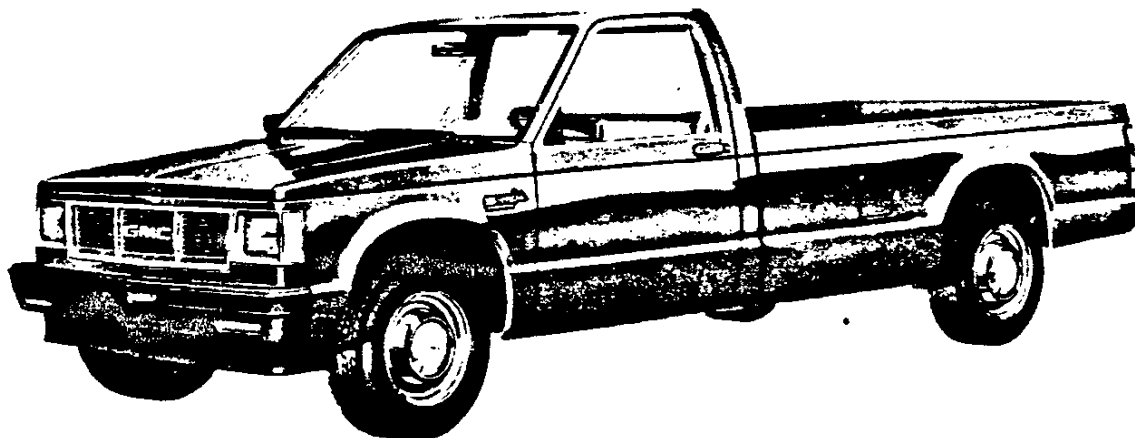
STANDARD MODEL—FEATURES

The standard models include the following items as standard equipment



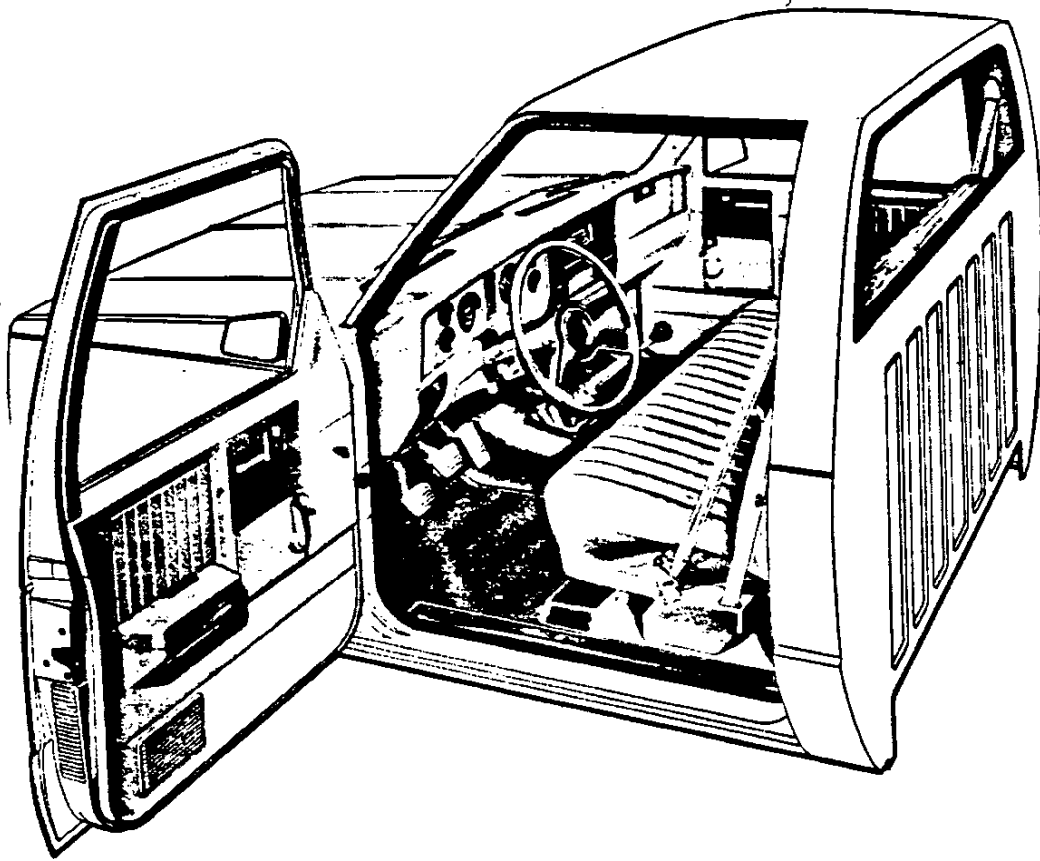
EXTERIOR

- **Bumper:** Front; painted low-gloss black; incorporating parking lamps
- **Color:** See Interior and Exterior Color Selection Chart
- **Grille:** Molded plastic; painted dark argent; integral Chevrolet emblem/GMC letters at center of grille
- **Glass:** Tinted, all windows (Extended cabs only)
- **Headlamp-Front Side Marker Lamp Bezels:** Molded plastic with chromed finish
- **Horn:** Single, electric, high-note
- **Hub Caps:** Bright metal with black trim
- **Keys:** Two-key system; with separate keys for ignition switch and door locks
- **Lettering, Tailgate:** Black or silver decal on Chevrolet/GMC letters depending on exterior color
- **Lights:**
 - Backup lamps: Two rear (integral with taillamps)
 - Combination parking/direction/hazard: Two front
 - Combination tail/stop/direction/hazard: Two rear
- **Headlamps:** Two, rectangular
- **License plate lamp:** Single rear
- **Side marker lamps with reflectors:** Two front; two rear (integral with taillamps)
- **Mirrors:** RH and LH fixed arm with adjustable 6½" wide x 4" high aerodynamic heads; low gloss black finish. RH mirror is convex
- **Moldings:** Low-gloss black windshield
- **Nameplates:** Bright "S-10/S-15 Sierra" nameplates on front fenders near doors. Diesel engine models have a diesel nameplate under LH headlamp. 4-wheel-drive models have "4x4" nameplates on cab rear corner panels
- **Pickup Box:** Steel floor, welded double wall construction; painted body color
- **Spare Tire Carrier:** Winch-type; mounted under frame at rear
- **Wheels:** Painted argent
- **Windshield Wipers and Washers:** Electric, 2-speed wipers with low-gloss black finish on exposed metal portions; coordinated washer with fluidic oscillator at center of plenum inlet grille



S-10/15 PICKUP 2- & 4-WHEEL DRIVE STANDARD MODEL—FEATURES

The standard models include the following items as standard equipment



INTERIOR

- **Armrests:** RH and LH padded; integral with door trim panels
- **Ashtray:** In middle of instrument panel
- **Coat Hook:** RH side
- **Colors:**
Painted areas: Same as exterior primary color choice
Interior trim: Coordinated with seat trim color choice
- **Door Sill Plates:** Door-opening protection and floor mat retention; full-length; black plastic
- **Door Trim Panels:** Color-keyed, embossed molded plastic with integral armrests and black housing in door latch release handle area
- **Floor Covering:** Embossed black rubber mat (partial only on conventional cab)
- **Grab Handle:** Over RH door (4x4 models only)
- **Headliner:** Color-keyed; partial roof coverage; styrene laminate with thin foam and cloth cover (full foam and full coverage on extended cab)
- **Heater and Defogger:** Conventional outside air type
- **Hood Lock Release:** Handle located under LH side of instrument panel
- **Instrument Panel Trim:** Textured argent finish for instrument cluster bezel, central control panel (black center area), storage box door, and RH/LH air conditioning outlet cover plates
- **Instruments:**
Gages: Speedometer, odometer and fuel
Switches: Main, for control of exterior lights, instrument cluster lights, and cab interior lights; combination steering column switch for direction signals by moving lever up and down, headlamp beams by moving lever fore and aft, and windshield wiper and washer by turning lever to wipe and pressing lever in to wash; hazard warning; heater fan; ignition with key-in warning buzzer
Warning lights: Generator, oil pressure, engine temperature, seat belt, service-parking brake, direction/hazard signal, and high beam
- **Instrument Panel Control Knobs:** Soft black plastic (except heater and wiper-washer controls) with white graphic identification
- **Instrument Panel Pad:** Color-keyed, energy-absorbing foam type with injection molded plastic substrate
- **Insulation and Sound Deadening Material:** On dash (firewall), under floor mat, spray deadener inside of doors, plugs on windshield pillars, on roof underside, and on headliner
- **Lights:** Instrument cluster and cab interior light; dome light for extended cab (includes door-operated switches for dome and cab interior lights)
- **Mirror, Rearview:** 10" prismatic with soft vinyl rim
- **Seats:** Full-width, full depth foam bench-type with folding backrest. All-vinyl embossed grained seat trim is standard. Also available at extra cost: 1) (for regular cabs only) Leather grained custom vinyl bench seat; 2) Leather grained custom vinyl bucket seats; or 3) (for extended cabs only) Leather grained vinyl trimmed rear jump seats. See Interior and Exterior Color Selection Chart for color and trim availability
- **Seat Belts:** Non-detachable combination lap and shoulder belts for outboard positions with emergency-locking retractors; lap belt with manual adjustment for center position. All seat belts are color-keyed with pushbutton type buckles
- **Steering Wheel and Column:** 15 $\frac{1}{4}$ " black, soft plastic wheel with 2 spokes; black energy-absorbing steering column with anti-theft locking feature
- **Storage Box:** In RH side of instrument panel; with bright key-operated lock and "S-10/S-15 Sierra" nameplate; lock operated by door key
- **Sunshades:** RH and LH padded; color-keyed
- **Tools:** Mechanical jack and wheel wrench behind seat on RH side
- **Trim Panels and Moldings:** Color-keyed moldings on windshield pillars, upper rear quarter trim panels on extended cab, and jack cover on extended cab (charcoal)

S-10/15 PICKUP 2- & 4-WHEEL DRIVE

DURANGO/HIGH SIERRA MODEL OPTION—RPO YCI

This option includes all standard model items plus the additions or substitutions listed below



Chevrolet model shown (GMC model available)

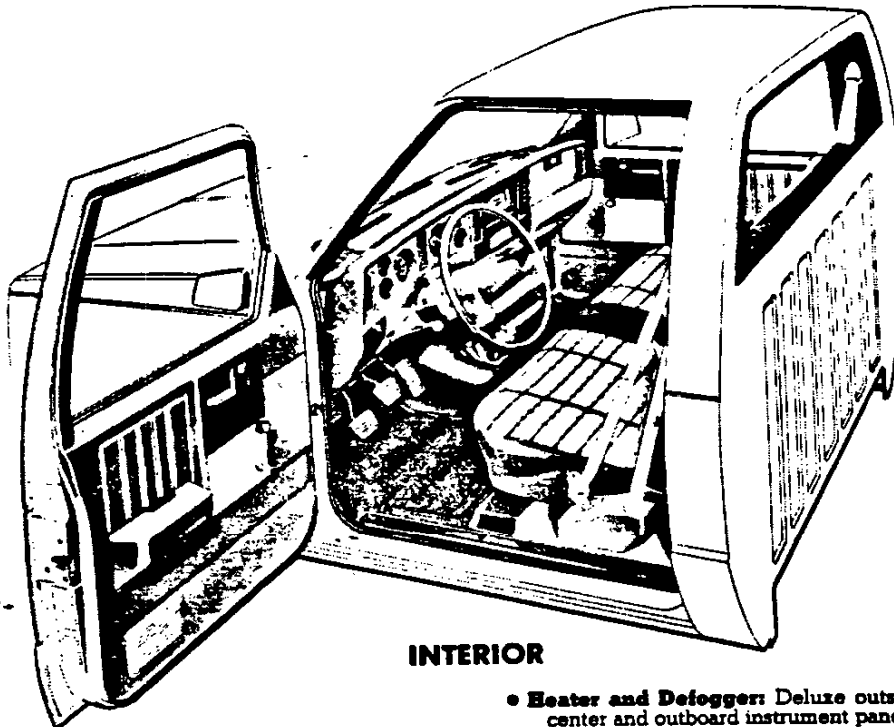
EXTERIOR

- **Bright Appearance Items:**

- "Durango/High Sierra" nameplates with series designation on front fenders
- Front bumper (Includes black rub strip)
- Trim on bumper rub strips

- Trim on black grille
- Taillamp trim
- Wheel trim rings

- **Lettering, Tailgate:** Same as for standard model except reflectorized (reflects at night)



INTERIOR

- **Bright Appearance Items:**

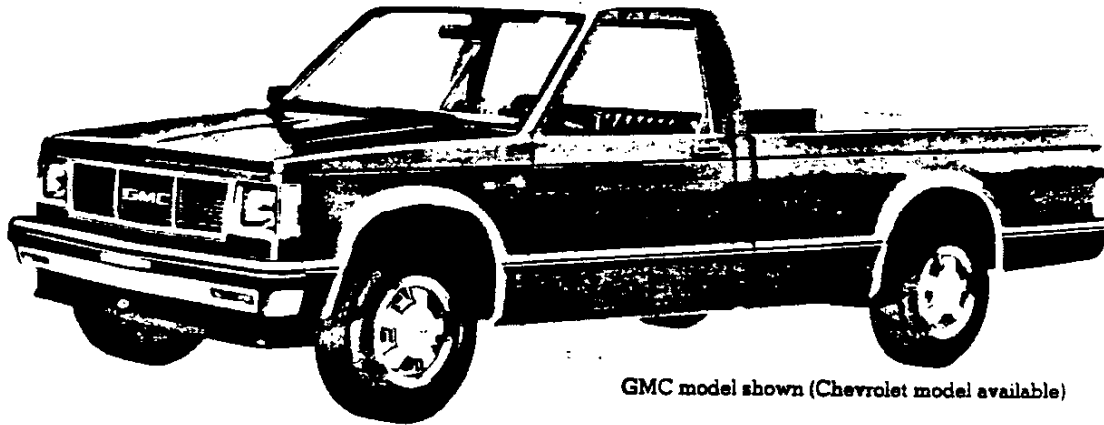
- "Durango/High Sierra" nameplate on stowage box door
- Dome lamp trim
- **Cigar Lighter:** With ashtray light
- **Dome Lamp:** With bright trim (conventional cab)
- **Dome and Interior Lamp Switches:** Door-operated for conventional cab (dome and interior lamps also may be activated by main light switch)
- **Door Trim Panels:** Black trim plate below door latch release handle area
- **Floor Covering:** Color-keyed rubber mat for entire floor area
- **Headlamp Warning Buzzer**

- **Heater and Defogger:** Deluxe outside air type with power center and outboard instrument panel vents and side window defoggers
- **Insulation and Sound Dendering Material:** Under floor mat
- **Jack Cover:** Color-keyed (extended cab only)
- **Seats:** Choice of: 1) ribbed pattern velour custom cloth/vinyl trim; or 2) leather grained custom vinyl trim. Also available at extra cost: 1) leather grained custom vinyl bucket seats; 2) (for extended cabs only) dual-tone woven special custom cloth/vinyl trim bucket seats; or 3) (for extended cabs only) leather grained custom vinyl trimmed rear jump seats. See Interior and Exterior Color Selection Chart for color and trim availability
- **Steering Wheel and Column:** Deluxe; color-keyed
- **Stowage Box Light**

S-10/15 PICKUP 2- & 4-WHEEL DRIVE

TAHOE/SIERRA CLASSIC MODEL OPTION—RPO YC2

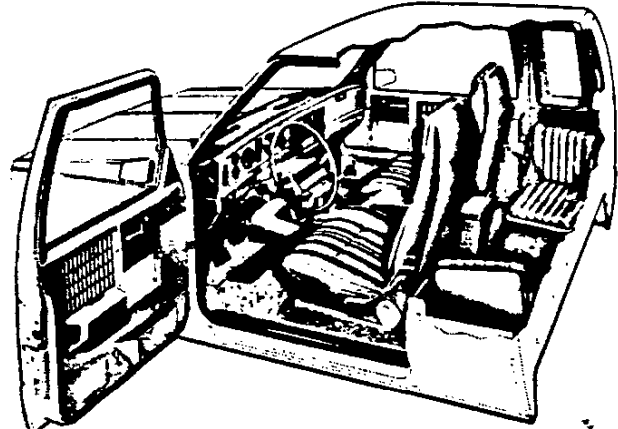
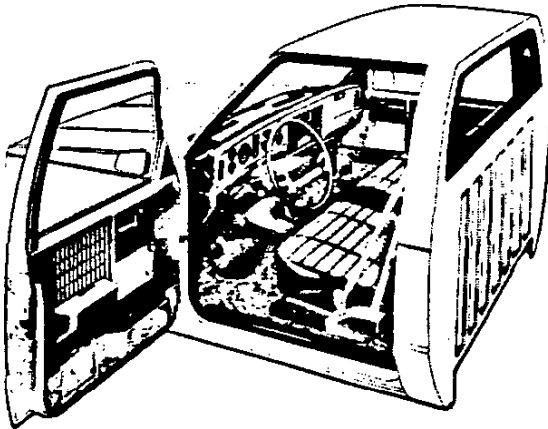
This option includes all of the Durango/High Sierra model option items plus the additions or substitutions listed below



GMC model shown (Chevrolet model available)

EXTERIOR

- **Bright Appearance Items:**
 - “Tahoe/Sierra Classic” nameplates with series designation on front fenders
 - Body side molding trim
 - Bright wheel opening lip moldings
 - Wheel covers (2-wheel drive models); Hub caps and trim rings (4-wheel drive models)
 - Delete wheel trim rings (2-wheel drive models only)
- **Cab-to-Fender Insulators**
- **Door Handle Inserts:** Body color
- **Hood Insulator**
- **Moldings:** Black plastic body side moldings with bright insert
- **Tailgate Trim:** Black applique with bright “Chevrolet/GMC” lettering and trim
- **Wheels:** Painted black (2-wheel drive models); Painted argent (4-wheel drive models)

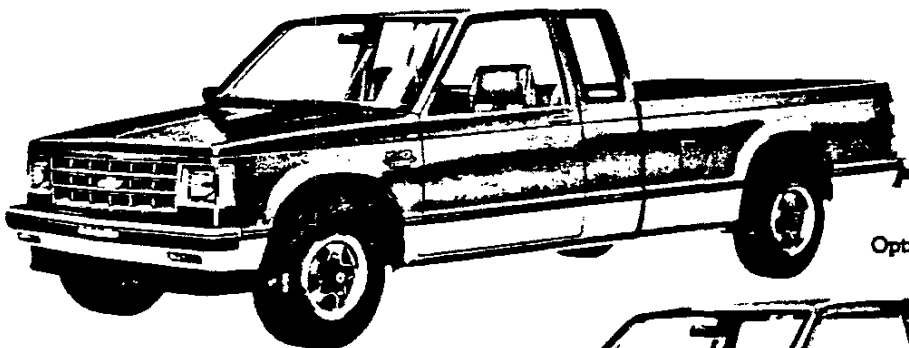


INTERIOR

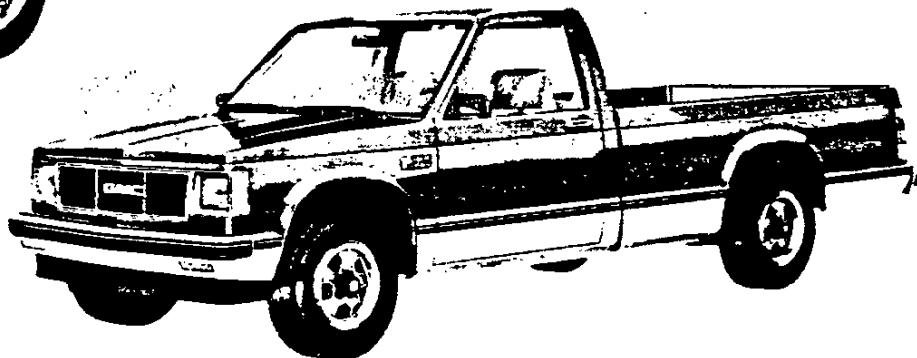
- **Bright Appearance Items:**
 - “Tahoe/Sierra Classic” nameplate on stowage box door
 - Trim on instrument panel
 - Trim on door trim panels
- **Door Trim Panels:** Special custom cloth insert plus brush-finished applique in regulator area; carpeted lower insert with pocket, plus coin holder in LH door
- **Floor Covering:** Color-keyed carpeting for entire floor area and on cab back panel
- **Headliner:** Full coverage molded styrene; full foam with color-keyed cloth cover (conventional cab)
- **Instrument Cluster:** Voltmeter, oil pressure gage and engine temperature gage replace warning lamps; also includes trip odometer
- **Instrument Panel Trim:** Brushed metal finish replaces textured argent finish
- **Insulation and Sound Deadening Material:** On plenum panels (part of specific dash mat), under floor and cab back panel carpeting, on floor and cab back panel carpeting, extra-thick on headliner, on door trim panels, and on lower portion of instrument panel
- **Seats:**
 - Regular Cabs—**Choice of: 1) leather grained custom vinyl bench seat; or 2) ribbed pattern velour custom cloth bench seat. Also available at extra cost: 1) leather grained custom vinyl bucket seats; 2) dual-tone woven special custom cloth bucket seats; or 3) High Country sheepskin bucket seats
 - Extended Cabs—**Choice of: 1) leather grained custom vinyl bucket seats; or 2) dual-tone woven special custom cloth bucket seats. Also included: Two rear leather grained custom vinyl folding jump seats mounted to the rear compartment side walls. Also available at extra cost: High Country sheepskin bucket seats. See Interior and Exterior Color Selection Chart for color and trim availability
- **Trim Panels and Moldings:** Color-keyed cowl kick panels; upper (conventional cab) and lower rear quarter panels; lower backlight molding, and jack cover (conventional cab)
- **Visor Mirror:** On RH sun visor

S-10/15 PICKUP 2- & 4-WHEEL DRIVE SPORT/GYPSY MODEL OPTION—RPO YC3

This option includes all items in the Tahoe/Sierra Classic model option plus the additions or substitutions listed below

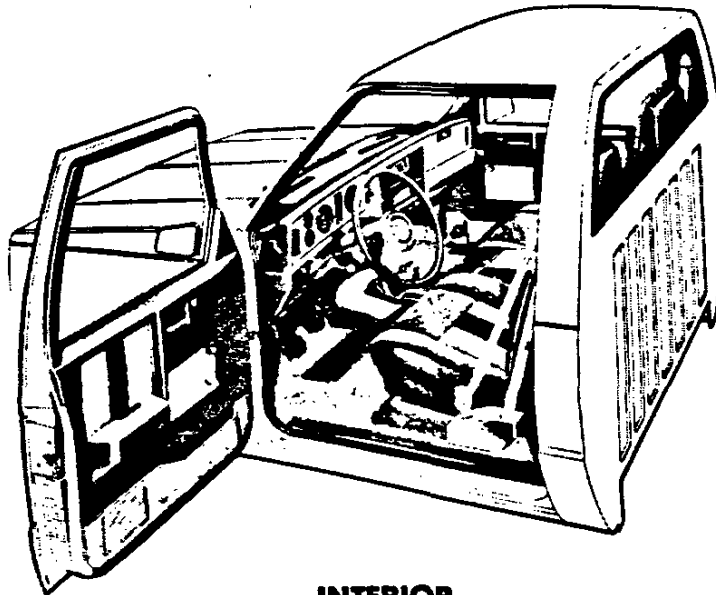


Optional rear bumper shown in illustration



EXTERIOR

- **Bright Appearance Items:**
 - "Sport/Gypsy" nameplates with series designation on front fenders
 - Wheel trim rings
 - Hubcaps (4-wheel drive models only)
 - Delete bright wheel opening lip moldings
- **Bumper:** Color-keyed to lower accent color, with black rub strips
- **Two-Tone Paint:** ZY7 lower-accent paint
- **Wheels:** Styled; painted argent with black trim; includes bright wheel trim rings and black ornamental hubs (2-wheel drive models); Argent painted wheels w/hub caps and trim rings (4-wheel drive models)
- **Wheel Opening Lip Moldings:** Black plastic



INTERIOR

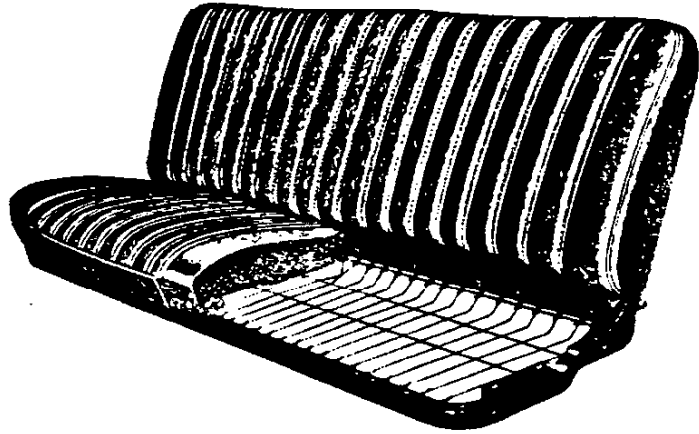
- **Bright Appearance Items:**
 - "Sport/Gypsy" nameplate on stowage box door
 - Trim on steering wheel
- **Console:** Color-keyed molded plastic with lockable stowage compartment; lock operated by door key
- **Door Trim Panels:** Special cloth insert to match seat trim
- **Seats:** High back buckets with sport cloth trim. Also available at extra cost: High Country sheepskin bucket seats. Extended Cab models also have two jump seats as described in the Tahoe/Sierra Classic Model Option. See Interior and Exterior Color Selection Chart for color and trim availability
- **Steering Wheel:** Color-keyed sport type with bright shroud

S-10/15 PICKUP 2- & 4-WHEEL DRIVE

PICKUP SEATS

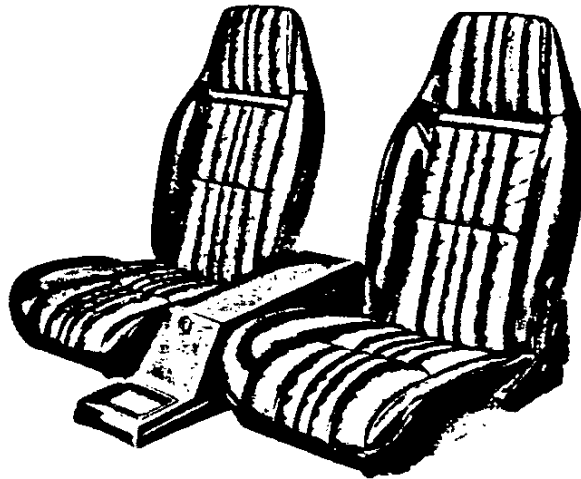
STANDARD FULL-DEPTH FOAM SEAT

Molded polyurethane foam pads over a steel cushion spring and frame assembly and a backrest frame assembly provide resilient support for driver and passengers, with an extra-thick pad employed for the cushion. A folding type backrest with inertia latch is used, providing convenient access to the stowage area behind the seat. Seats are adjustable fore and aft. Trim is durable, easy-to-clean vinyl.



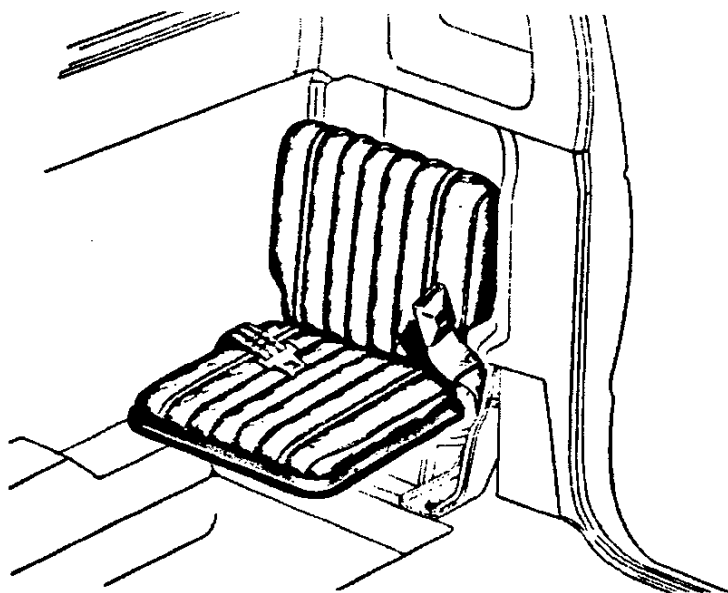
FRONT BUCKET SEATS (Custom Vinyl Seat Trim Shown)

This option consists of two high back bucket-type seats with foam padding and folding backrests with inertia latches. They are standard on Extended Cab models when the Tahoe/Sierra Classic Model Option is ordered and on Sport/Gypsy Models, and are available for all other models. A lockable color-keyed plastic center console with spacious stowage compartment is available when bucket seats are ordered on base, Durango/High Sierra, or Tahoe/Sierra Classic models. This console is included with the Sport/Gypsy Model Option.

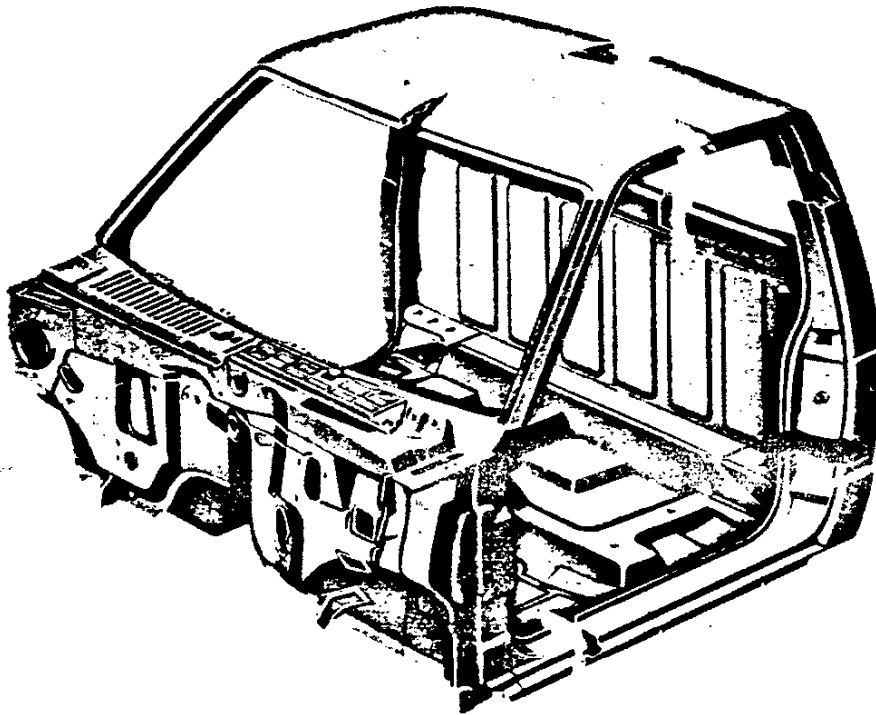


FOLDING JUMP SEATS

This option consists of two folding jump seats mounted on Extended Cab rear side-walls. They may be left folded for cargo carrying or unfolded to carry two additional passengers. Bucket Seats are required when this option is ordered, and they are included when Tahoe/Sierra Classic or Sport/Gypsy is ordered on Extended Cab models. Trim on these seats is always Custom Vinyl.



S-10/15 PICKUP 2- & 4-WHEEL DRIVE



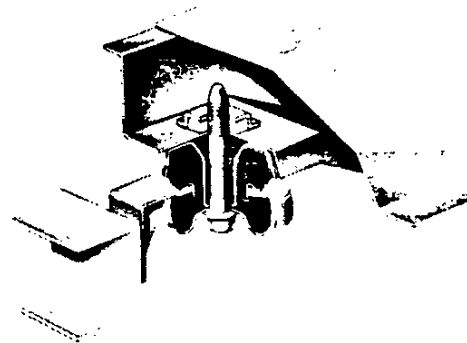
Cab Construction

Two cab configurations are used; the regular cab and the extended cab. Both are 2-door cabs, but the extended cab has approximately 14.6" of added space behind the 3 passenger seat. Provisions are made to enable the addition of 2 optional jump seats if desired. Both utilize all-steel, welded construction. A plenum chamber with high level, screened air intake is incorporated in the front end structure for interior ventilation. Single-wall

construction is utilized throughout the remainder of the cab except in the upper back panel area. A cathodic ELPO primer is used throughout and coated steel is used in most areas to reduce sheet metal corrosion. Body joints are filled with pumpable sealer. A 4-point mounting system is utilized for the cab, and the radiator support is mounted on frame outriggers.

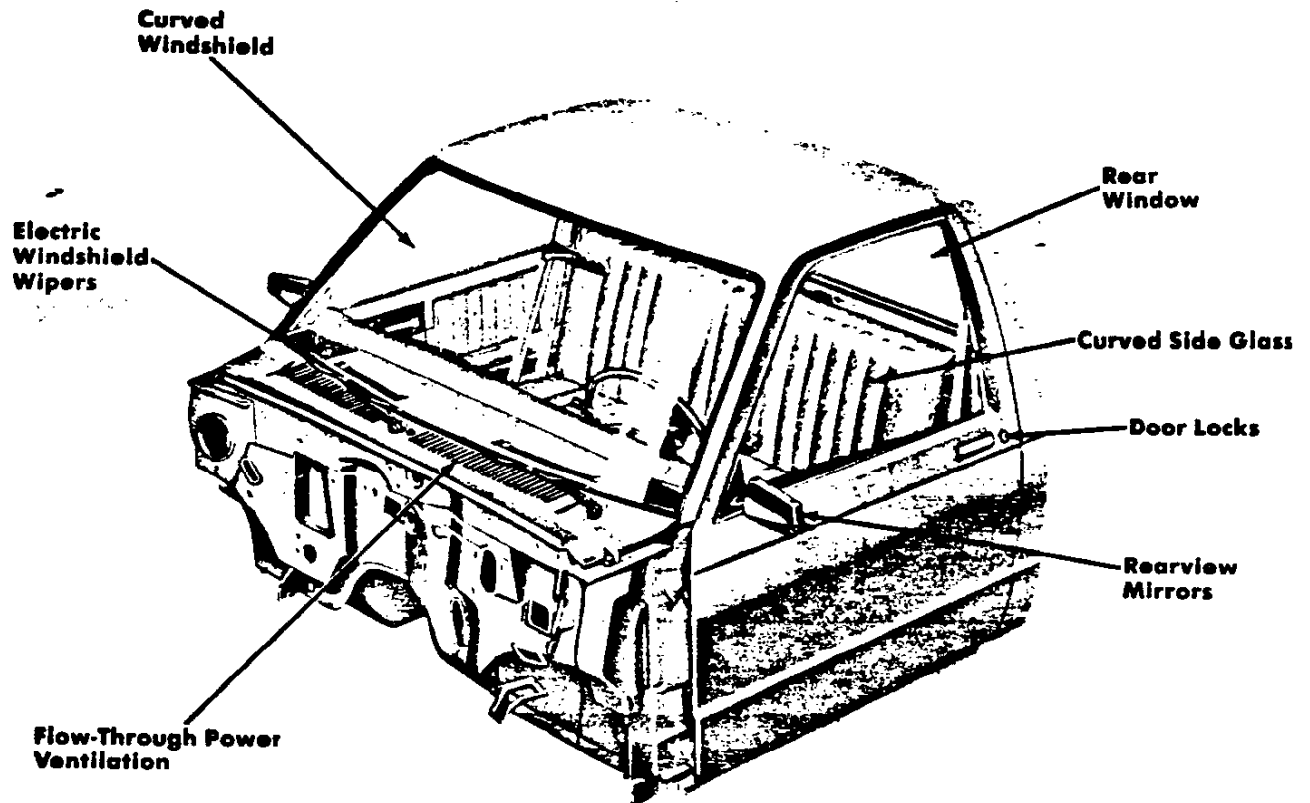
Cab Mountings

All mounts are the double rubber biscuit type.



S-10/15 PICKUP 2- & 4-WHEEL DRIVE

STANDARD CAB FEATURES



Curved Windshield—The large, one-piece windshield of laminated safety glass is urethane bonded into the windshield frame and has an area of approximately 1138.5 square inches for excellent visibility.

Curved Rear Window—The rear window is of solid tempered safety glass and is curved to prevent road reflections on the inside rear view mirror. It has a 617.5 square inch area.

Electric Windshield Wipers—High-capacity, 2-speed motor provides constant wiping action regardless of engine load or accelerator

position. Wipers have 16-inch blades. Wiper arms and the metal portions of the blades have a low gloss black finish. Electric washers with a 5.7-pint capacity reservoir are also standard. A "Fluidics" washer nozzle assures efficient washing action.

Curved Side Glass—Curved door windows are of solid tempered safety glass with an area of 409.5 square inches for each side.

Rearview Mirrors—Standard chrome exterior mirrors are of the fixed arm type with 6½" wide x 4" high adjustable aerodynamic

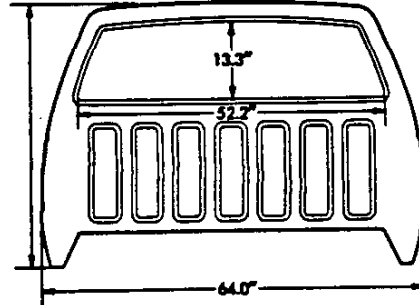
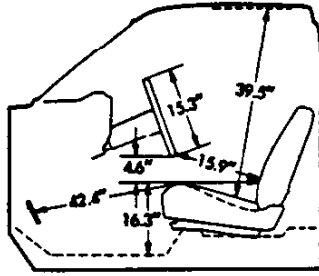
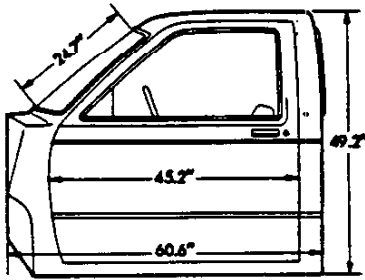
heads and a low gloss black finish. Both right-hand and left-hand units are provided, with convex glass used for the RH mirror.

Optional mirror combinations are also available. See the Optional Equipment listing.

Door Locks—All cab models include left & right hand key-operated (front) door locks as standard equipment. Actuation of inside lock levers prevents accidental door opening and provides keyless door locking when leaving the vehicle. Door lock key is separate from the ignition key for theft protection.

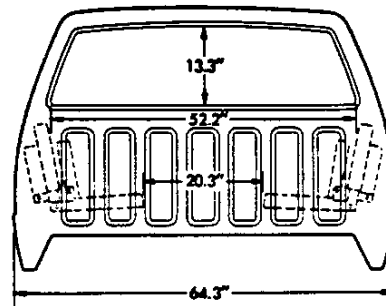
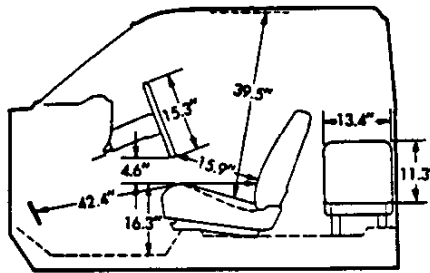
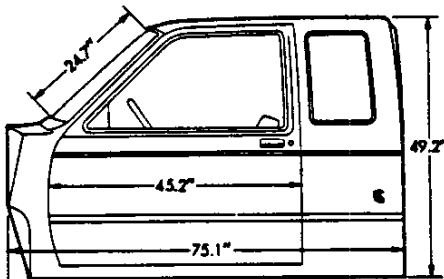
S-10/15 PICKUP 2- & 4-WHEEL DRIVE

CAB DIMENSIONS*



Glass Area (sq in)

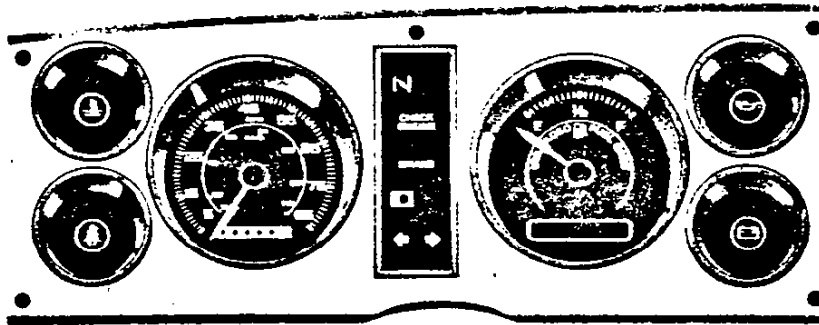
Windshield.....	1138.5	Rear side windows (each side).....	150.0
Front side door window (each side).....	409.5	Rear window.....	617.5



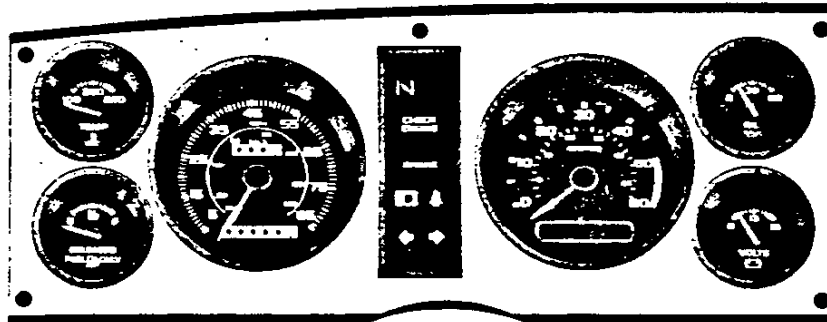
*All interior dimensions measured with front seat in rearmost position. Seat travel is 5"

INSTRUMENT CLUSTER

Standard Cluster with warning lights for engine temperature, generator, and oil pressure.



Optional Cluster (RPO Z53) with volt-meter, engine temperature gage, oil pressure gage and trip odometer. Included in Tahoe/Sierra Classic model options (RPO YC2) and Sport/Gypsy model options (RPO YC3) along with bright brush-finished trim, as illustrated (Diesel models with YC2 or YC3 also include tachometer.) Cluster faceplate for standard models and Durango/High Sierra model options (RPO YC1) has argent finish. When the optional tachometer is ordered (or included), it replaces the regular fuel gage, and another fuel gage is added (as shown).



S-10 PICKUP 2- & 4-WHEEL DRIVE

INTERIOR AND EXTERIOR COLOR AVAILABILITY CHART

WITH YJ5 SUNSHINE STRIPING PACKAGE*

Please Note: Exterior and interior paint combinations shown in chart below are those recommended by Chevrolet. Any exterior color combination may be ordered with any available seat trim if the particular combination is desired by a customer. For special paint applications please contact the Zone Office.

INTERIOR COLORS		Door	Seat	Console	Charcoal	Seatm Trim	STRIPE COLORS					
STANDARD INTERIOR (N/A YJ4)		Std	VDD1	VRR1	VJJ1	VSS1						
Vinyl Bench Seat			XDD1	XRR1	XJJ1	XSS1						
Custom Vinyl Bench Seat (N/A S/T10653)			KDD4	KRR4	KJJ4	KSS4						
DURANGO (N/A YJ4)		YC1	XDD1	XRR1	XJJ1	XSS1						
Custom Vinyl Bench Seat			LDD1	LRR1	LJJ1	LSS1						
Custom Cloth Bench Seat			XDD4	XRR4	XJJ4	XSS4						
Custom Vinyl High Back Bucket Seats			HDD4	HRR4	HJJ4	HSS4						
TAMOE (N/A YJ4)		YC2	XDD1	XRR1	XJJ1	XSS1						
Custom Vinyl Bench Seat (N/A S/T10653)			LDD1	LRR1	LJJ1	LSS1						
Custom Cloth Bench Seat (N/A S/T10653)			XDD4	XRR4	XJJ4	XSS4						
Custom Vinyl High Back Bucket Seats			HDD4	HRR4	HJJ4	HSS4						
Special Custom Cloth High Back Bucket Seats (S/T10653 only)												
TAMOE (N/A YJ4)		YC2	XDD1	XRR1	XJJ1	XSS1						
Custom Vinyl Bench Seat (N/A S/T10653)			LDD1	LRR1	LJJ1	LSS1						
Custom Cloth Bench Seat (N/A S/T10653)			XDD4	XRR4	XJJ4	XSS4						
Custom Vinyl High Back Bucket Seats			HDD4	HRR4	HJJ4	HSS4						
Special Custom Cloth High Back Bucket Seats												
High Country Sheepskin High Back Bucket Seats											BSS4	
SPORT (Rets 217 Print)		YC3										
Sport Cloth High Back Bucket Seats						SJJ4	BSS4					
High Country Sheepskin High Back Bucket Seats												BSS4

EXTERIOR COLORS w/YJ1 PAINT	Primary	Secondary	RECOMMENDED INTERIOR TRIM COLORS				STRIPE COLORS			
			Black 90A	Gold 94A	Silver 17A	White 12A	Black 90A	Gold 94A	Silver 17A	White 12A
BLACK, MIDNIGHT	19	19	R	R	R	R	X	X	X	X
BLACK, MIDNIGHT	19	19								
BLUE, GALAXY (Metallic)	28	28	R		R	R	N/A	N/A		X
BLUE, GALAXY (Metallic)	28	28	R				N/A	N/A	X	
BLUE, LIGHT (Metallic)	21	21	R		R		X	N/A	N/A	X
BRONZE, INDIAN (Metallic)	66	66			R	R	N/A	N/A	N/A	X
BRONZE, INDIAN (Metallic)	66	66						X		
RED, APPLE	72	72		R	R	R	X	N/A		X
RED, APPLE	72	72		R				N/A	X	X
RED, CINNAMON	71	71			R	R	X	N/A	X	X
SAND, DESERT (Metallic)	64	64			R		X	N/A	N/A	X
SAND, DESERT (Metallic)	64	64				R		N/A	N/A	X
SILVER (Metallic)	17	17	R	R	R	R	X	N/A	N/A	X
TAN, DOESKIN	61	61		R	R	R	X		N/A	
TAN, DOESKIN	61	61	R	R	R	R		X	N/A	X
TAN, DOESKIN	61	61	R	R				X		
WHITE, FROST	12	12	R	R	R	R	X			
WHITE, FROST	12	12	R	R	R	R				X

EXTERIOR COLORS w/Y7 PAINT	Primary	Secondary	RECOMMENDED INTERIOR TRIM COLORS				STRIPE COLORS (striped colors cannot be changed)			
			Black 90A	Gold 94A	Silver 17A	White 12A	Black 90A	Gold 94A	Silver 17A	White 12A
BLACK, MIDNIGHT			R	R	R	R	X			
Black Satin	19	09	R	R	R	R	X			
Sand, Desert (Metallic)	19	64			R	R		X		
Silver (Metallic)	19	17	R	R	R	R			X	
White Frost	19	12	R	R	R	R				X
BLUE, GALAXY (Metallic)										
Silver (Metallic)	28	17	R		R	R			X	
White Frost	28	12	R		R	R				X
BLUE, LIGHT (Metallic)										
Black Satin	21	09	R		R	R	X			
White Frost	21	12	R		R	R				X
BRONZE, INDIAN (Metallic)										
Sand, Desert (Metallic)	66	64			R	R		X		
White Frost	66	12			R	R				X
RED, APPLE										
Black Satin	72	09		R	R	R	X			
Silver (Metallic)	72	17		R		R			X	
White Frost	72	12		R		R				X
RED, CINNAMON										
Black Satin	71	09			R	R	X			
Silver (Metallic)	71	17			R	R			X	
White Frost	71	12			R	R				X
SAND, DESERT (Metallic)										
Black Satin	64	09			R	R	X			
White Frost	64	12	R		R	R				X
SILVER (Metallic)										
Black Satin	17	09	R	R	R	R	X			
White Frost	17	12	R	R	R	R				X
TAN, DOESKIN										
Black Satin	61	09			R	R	X			
Sand, Desert (Metallic)	61	64	R		R	R		X		
White Frost	61	12	R		R	R				X
WHITE, FROST										
Black Satin	12	09	R	R	R	R	X			
Sand, Desert (Metallic)	12	64			R	R		X		
Silver (Metallic)	12	17	R		R	R		X		X

R-Recommended N/A-Not Available ♦ Chevrolet Only

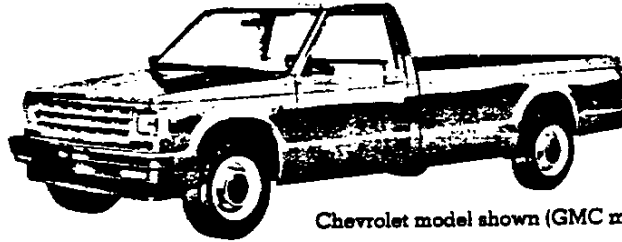
S-10/15 PICKUP 2- & 4-WHEEL DRIVE

SOLID AND TWO-TONE* EXTERIOR COLOR COMBINATIONS

The application of paint for solid and two-tone exterior color combinations is shown below.

SOLID COLOR

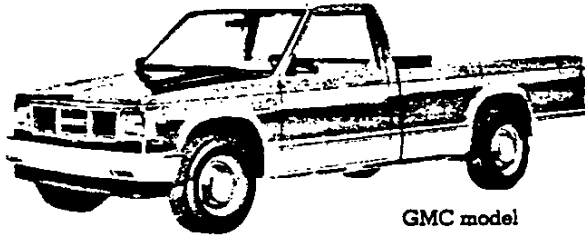
Solid paint (ZY1) is standard on all models (except Sport/Gypsy). All painted areas of the cab, front end sheet metal, and box are the same color. Tailgate lettering for base and Durango/High Sierra models is silver when Galaxy Blue, Indian Bronze, Midnight Black, or Apple Red exterior colors are specified and black for all other exterior colors.



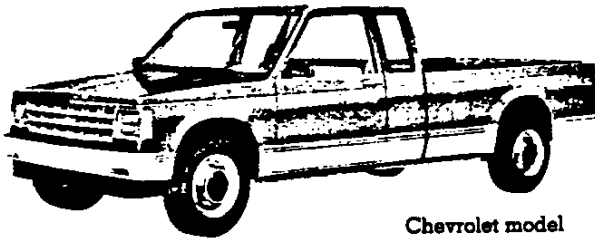
Chevrolet model shown (GMC model available)

SPORT TWO-TONE

Sport two-tone paint (ZY7), which provides a lower accent two-tone scheme, is available on base, Durango/High Sierra and Tahoe/Sierra Classic models, and is included when the Sport/Gypsy Model Option (YC3) is ordered. When ordered on base models, Painted Front Bumper (VT3) or Chromed Front Bumper (VG3) must be ordered. A wide, four stripe decal is included on base and Durango/High Sierra models, and is applied below the lower styling crease lines. The decal color matches the secondary paint choice, and is applied over the paint break line in such a way that the primary color paint shows through the clear areas to contrast with the decal colors. The primary color choice is applied to the areas above the bottom stripe of the decal, and the secondary color is applied to the areas below the decal. RPO B84 Body Side Moldings may be ordered with ZY7 on base and Durango/High Sierra models, if desired (at extra cost), and will replace the striping decal. Tailgate lettering for base and Durango/High Sierra models is silver when Galaxy Blue, Indian Bronze, Midnight Black, or Apple Red exterior colors are specified and black for all other exterior colors.



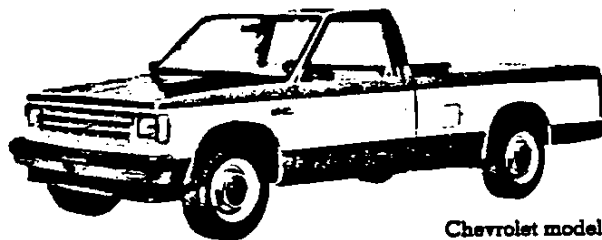
GMC model



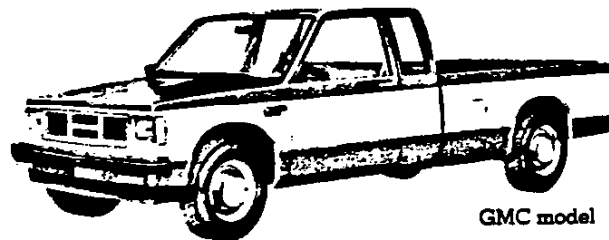
Chevrolet model

SPECIAL TWO-TONE

Special two-tone paint (ZY8), which provides a mid-accent two-tone scheme, is available on base, Durango/High Sierra and Tahoe/Sierra Classic models. When ordered on base models, Painted Front Bumper (VT3) or Chromed Front Bumper (VG3) must be ordered. B84 body side and wheel opening moldings are included (except on Tahoe/Sierra Classic models where already included) which are applied below the lower styling crease lines. The areas below the molding and above the belt styling crease line are painted the primary paint color. The areas between the molding and the belt styling crease line are painted the secondary color. Tailgate lettering for base and Durango/High Sierra models is silver when Galaxy Blue, Indian Bronze, or Apple Red secondary exterior colors are specified and black for all other secondary colors.



Chevrolet model

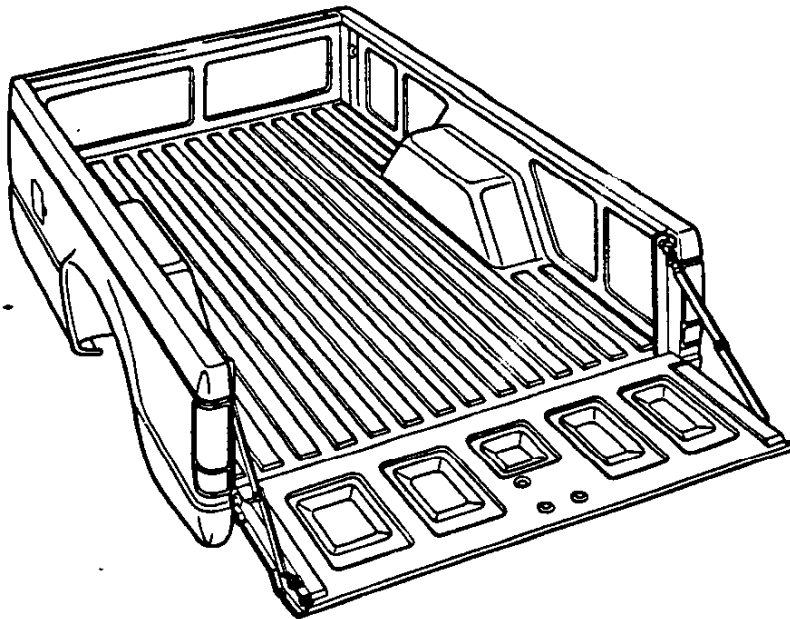
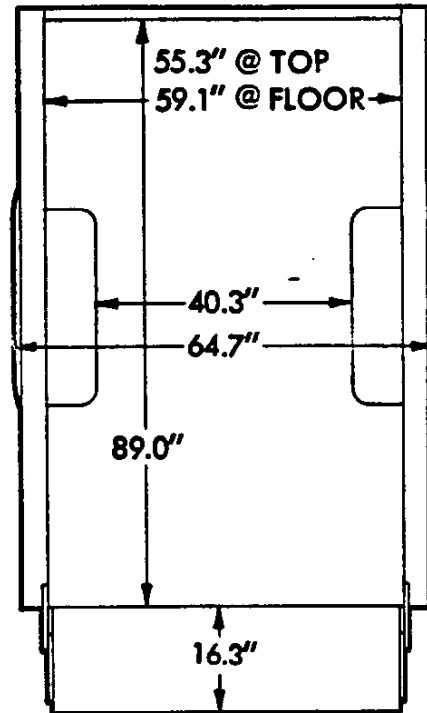
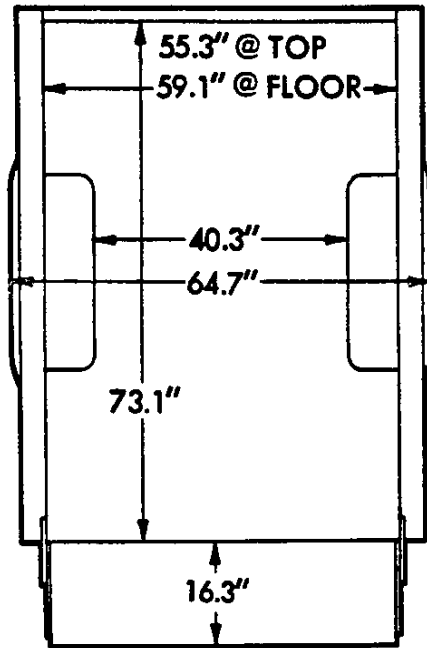


GMC model

*Optional at extra cost

S-10/15 PICKUP 2- & 4-WHEEL DRIVE PICKUP BOX

Body Ordering Code E63
DIMENSIONS



The all steel, welded pickup box is built in both 6- and 7.5-foot nominal lengths with approximate 35 and 43 cubic ft. capacities respectively. Integral skid strips are incorporated into the load floor. Vertical rear lamp with bright bezels are incorporated into the corner posts. Double-walled construction is used in the side panels and tailgate to prevent load dents from marring the appearance of the outer panels.

The ELPO electro-coating process is used to prime the completely assembled cargo box to assure that all surfaces of all components—even surfaces not visible—receive a coat of prime paint. Side outer panels and tailgate are fabricated of zinc coated steel and galvanized steel is used for platform panels and rear wheel housings to provide additional corrosion protection.

A tight-fitting full-width tailgate holds such loads as grain and sand with minimal loss. It is operated by a mechanically actuated latch and retained in the horizontal position by hinged steel support straps. The tailgate latch features one-hand operation for easy opening and closing.

The vertical structural support welded into each corner of the pickup box has a round metal loop at the upper end to serve as a cargo tie-down.

S-10/15 PICKUP 2- & 4-WHEEL DRIVE INTERIOR AND EXTERIOR COLOR AVAILABILITY CHART WITHOUT YJ5 SUNSHINE STRIPING PACKAGE

Please Note: Exterior and interior paint combinations shown in chart below are those recommended by Chevrolet/GMC. Any exterior color combination may be ordered with any available seat trim if the particular combination is desired by a customer. For special paint applications please contact the Zone Office.

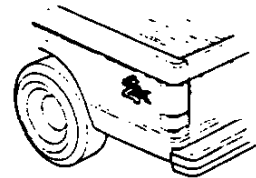
INTERIOR COLORS		Decor	Seat	Carpet	Charger	Seat Tr	STRIPE COLORS								
STANDARD INTERIOR (N/A YJ4)		Std.	VDD1	VRR1	VJJ1	VSS1									
Vinyl Bench Seat			XDD1	XRR1	XJJ1	XSS1									
Custom Vinyl Bench Seat (N/A S/T10653)			XDD4	XRR4	XJJ4	XSS4									
Custom Vinyl High Back Bucket Seats															
OURANGO/HIGH SIERRA (N/A YJ4)		YC1	XDD1	XRR1	XJJ1	XSS1									
Custom Vinyl Bench Seat			LDD1	LRR1	LJJ1	LSS1									
Custom Cloth Bench Seat			XDD4	XRR4	XJJ4	XSS4									
Special Custom Cloth High Back Bucket Seats (S/T10653 envy)			HDD4	HRR4	HJJ4	HSS4									
TANOE/SIERRA CLASSIC (N/A YJ4)		YC2	XDD1	XRR1	XJJ1	XSS1									
Custom Vinyl Bench Seat (N/A S/T10653)			LDD1	LRR1	LJJ1	LSS1									
Custom Cloth Bench Seat (N/A S/T10653)			XDD4	XRR4	XJJ4	XSS4									
Special Custom Cloth High Back Bucket Seats			HDD4	HRR4	HJJ4	HSS4									
High Country Sheepskin High Back Bucket Seats						BSS4									
SPORT/GYPSY (Reg. ZY7 Paint)		YC3													
Sport Cloth High Back Bucket Seats					SJJ4	BSS4									
High Country Sheepskin High Back Bucket Seats						BSS4									
EXTERIOR COLORS w/ YJ4 w/ ZY1, ZY7 or ZY8 PAINT		Primary	Secondary	RECOMMENDED INTERIOR TRIM COLORS			Black 08A	Blue 28A	Gold 64A	Red 72A	Silver 17A	White 12A			
BLACK, MIDNIGHT	19	19		X						X					
BLACK, MIDNIGHT	19	19			X						X				
BLACK, MIDNIGHT	19	19				X						X			
Black Satn (N/A ZY8)	19	09		X	X	X									
Red, Apple (N/A YJ5)	19	72		X	X	X									
Sand, Desert (Metallic)	19	64		X	X	X									
Silver (Metallic)	19	17		X	X	X									
White, Frost	19	12		X	X	X									
BLUE, GALAXY (Metallic)	28	28	X		X	X		N/A				X			
BLUE, GALAXY (Metallic)	28	28				X		N/A	X						
Black, Satn (N/A ZY8)	28	09	X		X	X									
Silver (Metallic)	28	17	X		X	X									
White, Frost	28	12	X		X	X									
BLUE, LIGHT (Metallic)	21	21	X		X	X		X							
Black, Satn (N/A ZY8)	21	09	X		X	X									
Blue, Galaxy (Metallic) (N/A YJ5)	21	28	X		X	X									
White, Frost	21	12	X		X	X									
BRONZE, INDIAN (Metallic)	06	06			X	X		X							
BRONZE, INDIAN (Metallic)	06	06				X			X						
Black, Satn (N/A ZY8)	06	09			X	X									
Sand, Desert (Metallic)	06	64			X	X									
White, Frost	06	12			X	X									
RED, APPLE	72	72		X					X	N/A					
RED, APPLE	72	72			X			X		N/A					
Black, Satn (N/A ZY8)	72	09		X	X	X									
Silver (Metallic)	72	17		X	X	X									
White, Frost	72	12		X	X	X									
RED, CINNAMON	71	71			X	X		X		N/A					
RED, CINNAMON	71	71				X			X	N/A					
Black, Satn (N/A ZY8)	71	09			X	X									
Silver (Metallic)	71	17			X	X									
White, Frost	71	12			X	X									
SAND, DESERT (Metallic)	64	64			X	X		X		N/A					
Black, Satn (N/A ZY8)	64	09			X	X									
White, Frost	64	12			X	X									
SILVER (Metallic)	17	17	X					X				N/A			
SILVER (Metallic)	17	17		X						X		N/A			
SILVER (Metallic)	17	17			X	X		X				N/A			
Black, Satn (N/A ZY8)	17	09		X	X	X									
Blue, Galaxy (Metallic) (N/A YJ5)	17	28	X		X	X									
Red, Apple (N/A YJ5)	17	72		X	X	X									
White, Frost	17	12		X	X	X									
TAN, DOESKIN	81	81			X	X		X							
TAN, DOESKIN	81	81				X			X						
Black, Satn (N/A ZY8)	81	09			X	X									
White, Frost	81	12			X	X									
WHITE, FROST	12	12	X					X						N/A	
WHITE, FROST	12	12		X						X				N/A	
WHITE, FROST	12	12			X	X		X						N/A	
WHITE, FROST	12	12				X			X					N/A	
Black, Satn (N/A ZY8)	12	09			X	X									
Blue, Galaxy (Metallic) (N/A YJ5)	12	28	X		X	X									
Red, Apple (N/A YJ5)	12	72		X	X	X									
Sand, Desert (Metallic)	12	64			X	X									
Silver (Metallic)	12	17			X	X									
W/TM (\$10603 envy) w/ ZY7 PAINT and YC3 Seat (Chevrolet Only)							STRIPE COLORS								
(Interior & Exterior Combinations Shown are the Only Combinations Available)							Bright Blue			Red-Orange					
BLACK, MIDNIGHT/Black, Satn	19	09			X	X						X			
BLUE, GALAXY/Black, Satn	28	09			X	X		X					X		
BLUE, LIGHT (Metallic)/Black, Satn	21	09			X	X		X						X	
RED, APPLE/Black, Satn	72	09			X	X							X		
SILVER (Metallic)/Black, Satn	17	09			X	X		X					X		
TAN, DOESKIN/Black, Satn	81	09			X	X							X		
WHITE, FROST/Black, Satn	12	09			X	X		X					X		

S-10/15 PICKUP

EXTERIOR DECOR STRIPING PACKAGES

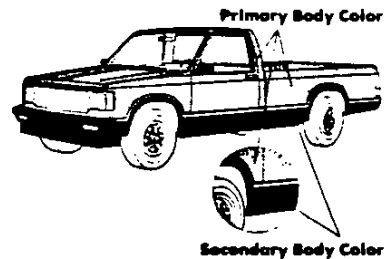
RPO YJ3 4x4 I.D. Exterior Decor (S-10 4x4 Chevrolet Pickup Models only). This package consists of tri-colored 4x4 decals applied to the upper rear corner of each side of the pickup box. It is available on all 4x4 S-10 pickup models. The standard 4x4 emblem located on the B pillar is deleted. Not available when RPO YJ5 Sunshine Striping Package is ordered.

EXTERIOR DECOR—YJ3
(Requires ZY1, ZY7, or ZY8 Paint)
(N/A YJ5 Exterior Decor)



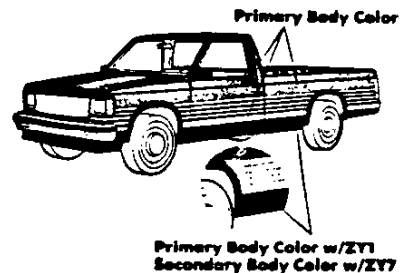
RPO YJ4 Super Sport Exterior Decor (S10603 Chevrolet Pickup Model with YC3 Sport Trim only). The Super Sport decal package consists of decal striping on front fenders, doors, pickup box and tailgate. The striping is black with either a bright blue or red-orange accent stripe (depending on exterior primary color choice) which is applied just above the lower styling crease line, up around the wheel openings and across the tailgate. The words "SUPER SPORT" in matching bright blue or red-orange letters are applied below the striping on each side of the vehicle on the doors. This package requires that the YC3 Sport Equipment package be ordered on the 2WD short wheelbase regular cab model, and secondary color choice is restricted to Satin Black. The styled wheels are painted gloss black, and the body side moldings, normally included with the Sport Equipment, are deleted. When the Super Sport package is ordered, bright below-eyeline mirrors and whitewall tires are not available. See the Interior and Exterior Color Availability Chart headed: Without YJ5 Sunshine Striping Package, for available combinations.

SPORT TWO-TONE PAINT—ZY7
(With YJ4 Exterior Decor)
(Model S10603 with YC3 Package Only)



RPO YJ5 Sunshine Striping Exterior Decor (S-10 2WD and 4x4 Chevrolet Pickup Models only). The Sunshine Striping Package consists of 5 bold stripes along the full length of the vehicle and across the tailgate. The stripes are available on all S-10 pickup models in four colors to contrast or complement the exterior paint color choice. See the Interior and Exterior Color Availability Chart headed: With YJ5 Sunshine Striping Package, for available combinations. The stripes vary in color density; the wide bottom stripe matches the exterior secondary color and each of the four remaining stripes is less opaque than the one below it, allowing the primary exterior paint color to show through more and more in each succeeding stripe until the top stripe actually has just a hint of color in it, creating a very dramatic effect. Sunshine Striping is available with ZY1 solid print or with ZY7 Sport Two-Tone paint. When ordered with ZY7, the standard narrower striping is deleted. Not available with B84 Body Side Moldings or with YJ3 4x4 I.D. decals. Wheel opening moldings (either B74 Black Plastic or B96 Bright Aluminum) YC2 Tahoe, or YC3 Sport must be ordered.

EXTERIOR DECOR—YJ5
(Requires ZY1 or ZY7 Paint)
(Requires B74, B96, YC2 or YC3)



NOTES

ENGINE & COOLING

VALUE FEATURES

1.9 Liter (119 Cu. In.) L4 engine (S-10/15 models only)

- 2-barrel carburetor
- Aluminum cylinder head
- Single overhead camshaft
- Hemispherical combustion chamber
- Transistorized ignition.

2.0 Liter (121 Cu. In.) L4 engine (S-10/15 models only)

- Standard engine on all 4x4, extended cab, Chassis-Cab, Blazer, and 4x2 117.9" WB pickup gasoline engine models (except in California)
- 2-barrel carburetor.

2.2 Liter (137 Cu. In.) L4 Diesel engine (S-10/15 pickup models only)

- Standard engine on S-10 Diesel Model pickups (2WD only)
- Longer stroke than bore diameter for good torque
- Quick-On system with a pre-combustion chamber helps start engine in 3.5 seconds or less
- Available 49 states only—California availability interim 1984.

2.8 Liter (173 Cu. In.) V6 engine (S-10/15 models only)

- 2-barrel carburetor
- 8.5 to 1 compression ratio
- More horsepower and torque for heavy-duty jobs and trailering applications.

4.1 Liter (250 Cu. In.) L6 engine

- Staged 2-barrel carburetor for more efficient performance
- Cylinder head with integral intake manifold for improved engine operation
- Dual-takedown exhaust manifold for less exhaust back-pressure
- Short stroke to reduce friction
- Features 7 main bearings for durability, 12-counterweight crankshaft and torsional dampeners for smoothness.

4.8 Liter (292 Cu. In.) L6 engine

- Larger displacement for added load-hauling agility
- Same engine used in medium-duty trucks for its durability. Features include: aluminum alloy pistons, forged steel connecting rods, aluminized face intake valves, stellite faced exhaust valves with rotators and hardened seats.

5.0 Liter (305 Cu. In.) V8 engine with Electronic Spark Control

- Good performance, efficient operation on unleaded fuel
- Horsepower and torque ratings similar to the 5.7 liter V8
- High 9.2 to 1 compression ratio
- Electronic spark control unit eliminates spark knock by adjusting spark advance automatically.

5.7 Liter (350 Cu. In.) V8 engine

- Available for higher all-around performance requirements
- Four-barrel carburetor provides added power when needed
- Comes with cast-iron 4.00-in.-bore cylinder case with forged steel connecting rods.

7.4 Liter (454 Cu. In.) V8 engine

- Available for big loads and heavy towing. This high-torque 454 V8 with a 4-barrel carburetor operates on regular grade gasoline. Camshaft is designed for added efficiency.

6.2 Liter (379 Cu. In.) V8 Diesel engine

- The 6.2 liter V8 diesel engine (RPO LH6 with light-duty emissions, and RPO LL4 with heavy-duty emissions) is available on all C/K/G/P models, except G10/1500 Chevy Van/Vandura and G10/1500 Sportvan/Rally and the 178" WB Motor Home Chassis. This engine, introduced in 1982, is designed specifically for truck applications with heavy usage; it features heavy-duty construction with emphasis on fuel efficiency with excellent emission control characteristics.

ENGINE & COOLING

VALUE FEATURES (CONT'D)

Early Fuel Evaporation (Gasoline engine models)

- Vacuum motor closes exhaust manifold heat valve on cold engine
- Hot gases flowing around inlet manifold preheat incoming fuel
- Fast warm-up, good drivability
- Used on most engines.

High Energy Ignition System (Gasoline engine models)

- Magnetic pulse generator, electronic module replace ignition points, condenser and rubbing block
- Coil design provides a spark up to 85% hotter than conventional system
- Solid-state design eliminates cost of replacing points, condenser
- Fires worn plugs
- Reduces cost of frequent plug replacement
- Fires lean or marginal mixtures
- Quick starts help reduce battery drain.

Catalytic converter (Gasoline engine models)

- Changes hydrocarbons and carbon monoxide to less harmful emissions
- Permits tuning engines for better drivability, increased fuel efficiency
- Stainless steel shell and exhaust pipe
- Standard on all Light-duty trucks up to 8500 lbs. GVWR (except Step-Van/Value Van, FC Chassis)
- Requires use of unleaded fuel exclusively.

Coolant recovery system

- Excess coolant collects in reservoir, returns to radiator automatically when it cools
- Helps maintain proper coolant levels
- Standard on all C, K, G, P, S models.

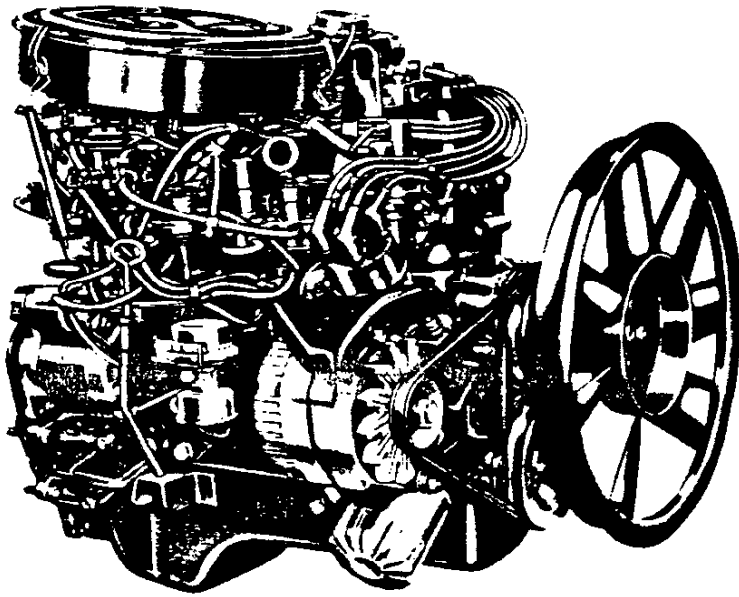
ENGINE & COOLING

INDEX

ENGINES	Page
1.9 LITER (119 2-bbl) L4 ENGINE (8-10/15)	2
SPECIFICATIONS - 1.9L/119 L4 ENGINE (8-10/15)	3, 4
2.0 LITER (121 2-bbl) L4 ENGINE (8-10/15)	5
SPECIFICATIONS - 2.0L/121 L4 ENGINE (8-10/15)	6, 7
2.2 LITER (137 Cu. In.) L4 DIESEL ENGINE (8-10/15)	8
SPECIFICATIONS - 2.2L/137 L4 ENGINE (8-10/15)	9, 10
2.8 LITER (173 2-bbl) V6 ENGINE (8-10/15)	11
SPECIFICATIONS - 2.8L/173 V6 ENGINE (8-10/15)	12, 13
3.8 LITER (229 2-bbl) V6 ENGINE (El Camino/Caballero)	14
3.8 LITER (231 2-bbl) V6 ENGINE (El Camino/Caballero)	15
SPECIFICATIONS - 3.8L/229 & 3.8L/231 V6 ENGINES	16, 17
4.1 LITER (250 2-bbl) IN-LINE SIX ENGINE	18
4.8 LITER (292 1-bbl) IN-LINE SIX ENGINE	19
SPECIFICATIONS - 4.1L/250 & 4.8L/292 IN-LINE SIX ENGINES	20, 21
5.0 LITER (305 4-bbl) V8 ENGINE (El Camino/Caballero)	22
5.0 LITER (305 4-bbl) V8 ENGINE w/ESC	23
5.0 LITER (305 4-bbl) V8 ENGINE	24
SPECIFICATIONS - 5.0L/305 V8 ENGINES	25, 26
5.7 LITER (350 4-bbl) V8 ENGINE	27, 28
SPECIFICATIONS - 5.7L/350 V8 ENGINES	29, 30
5.7 LITER (350 Cu. In.) V8 DIESEL ENGINE (El Camino/Caballero)	31
SPECIFICATIONS - 5.7L/350 V8 DIESEL ENGINE	32, 33
6.2 LITER DIESEL ENGINE FEATURES	34, 35, 36, 37
6.2 LITER (379 Cu. In.) V8 DIESEL ENGINE	38, 39
SPECIFICATIONS - 6.2L/379 V8 DIESEL ENGINE	40, 41
7.4 LITER (454 4-bbl) V8 ENGINE	42
SPECIFICATIONS - 7.4L/454 V8 ENGINE	43, 44
 COOLING SYSTEMS	
SPECIFICATIONS - STANDARD	45
SPECIFICATIONS - OPTIONAL	46, 47, 48, 49, 50
 FUEL TANKS	
SPECIFICATIONS	51
 EMISSION CONTROLS	
EMISSION CONTROL EQUIPMENT	52, 53, 54, 55

1.9 LITER (119 2-bbl) L4

(Ordering Code LR1)



Applications

Standard: S-10/15 4X2 Regular Cab Pickups (108.3" WB models only)

*Optional: S-10/15 4X2 Extended Cab Pickups; S-10/15 4X4 Pickups; S-10/15 Blazer/Jimmy
*California only.

Basic Specifications

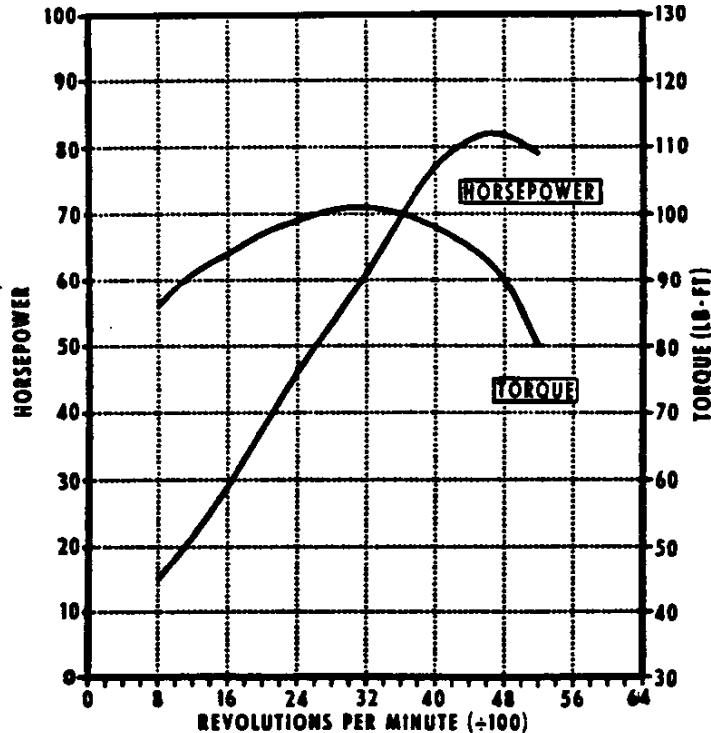
Engine type Overhead Cam In-line 4
 Piston displacement (Liter/Cu. In.) 1.9/119
 Bore & stroke (nominal) 3.42" x 3.23"
 Compression ratio 8.4:1
 Carburetor type 2-barrel
 Exhaust Single

Test Procedures

These curves represent full throttle performance as obtained from a dynamometer test simulating actual operating conditions when the engine is in the vehicle, with ratings corrected to barometric pressure of 29.32" mercury and 77°F dry air.

Engine Ratings

SAE net horsepower (77°F) 82 @ 4600 rpm
 SAE net torque, lb-ft (77°F) 101 @ 3000 rpm



1.9 LITER (119 2-bbl) L4

SPECIFICATIONS

		1.9 Liter/119 2-bbl L4
Basic Description		Four-cylinder in-line; overhead cam with cast iron block and aluminum cylinder head
Displacement (liters/cu. in.)		1.9/119
Bore & Stroke (in)		3.42 x 3.23
Compression Ratio		8.4:1
Firing Order		1-3-4-2
SAE Net Horsepower @ rpm		82 @ 4600
SAE Net Torque (lb-ft) @ rpm		101 @ 3000
Air Cleaner		Replaceable wet-paper element
Camshaft		
Intake Valve	Opens	21° BTDC
	Closes	65° ABDC
Exhaust Valve	Opens	55° BBDC
	Closes	20° ATDC
Intake Duration Ramp		266°
Exhaust Duration Ramp		255°
Carburetor		
Type		2-Barrel downdraft
Make		Hitachi
Venturi ID (in)		Pri. — .9; sec. — 1.2
Throttle Bore (in)		Pri. — 1.181; sec. — 1.339
Choke Control		Automatic
Connecting Rods		
Material		Forged steel
Length (in)		5.2557-5.2561
Bearings		Steel-backed with tri-metal
Crankcase Ventilation		Closed positive
Crankshaft		
Material		Heat-treated forged steel
Number of Counterweights		4
Main Journals (in)		2.2016-2.2022
Crankpin Journal (in)		1.9262-1.9268
Torsional Damper		None
Bearings		Steel-backed with tri-metal
Distributor		Nippon-Denso Co., Ltd.; centrifugal & vacuum advance
Fuel Filters		
Carburetor		In-line throwaway type
Fuel Tank		Nylon mesh screen
Lubrication System		
Main Bearings		Full pressure
Camshaft Bearings		Direct pressure
Connecting Rods		Direct pressure
Valves & Tappets		Gravity
Cylinder Walls		Splash
Piston Pins		Splash

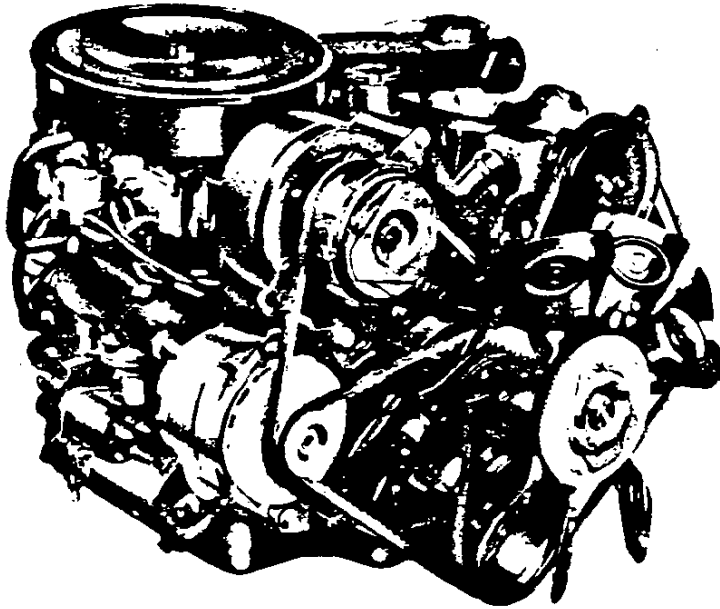
1.9 LITER (119 2-bbl) L4

SPECIFICATIONS

1.9 Liter/119 2-bbl L4	
Oil Capacity (qts)	
With filter change	4.2
W/o filter change	3.8
Oil Filter	
Standard	Full flow; throwaway type
Capacity (pt)	0.8
Oil Pump	
Type	Trochoid
Capacity (gpm)	3.70 @ 1400 rpm
Normal Pressure (psi)	57
Pistons	
Type	Cam-ground
Material	Aluminum alloy
Skirt	Tin plated full
Head	Concave
Piston Pins	
Type	Semi-Floating
Material	Case hardened steel
Piston Rings	
Compression Rings	
Number	2
Type	1st: taper face; 2nd: taper face, under-cut
Material	1st: Chrome plated cast iron; 2nd: Cast Iron
Oil Control Rings	
Number	1
Type	Multi-piece
Material	Chrome plated steel
Thermostat	Fuji-Thompson Wax pellet; 180°F
Valve Train	
Type	Overhead cam rocker arm acting
Tappets	Mechanical - adjustable
Valve Lash	In: .006 Exh: .010
Intake Valves	
Material	Alloy steel and chrome plated stems
Head Diameter (in)	1.587 - 1.591
Face Coating	None
Seats	Sintered iron inserted in cylinder head
Exhaust Valves	
Material	Alloy steel and chrome plated stems
Head Diameter (in)	1.335 - 1.339
Face Coating	None
Seats	Sintered iron inserted in cylinder head
Rotators	None
Water Pump	
Type	Centrifugal
Capacity (gpm)	4.2 @ 6000 rpm

2.0 LITER (121 2-bbl) L4*

Ordering Code LQ2



Applications

Standard: S-10/15 Extended Cab Pickup; S-10/15 Blazer/Jimmy, S-10/15 4X4 Regular Cab, S-10/15 Chassis-Cab and 117.9" WB 4X2 Pickups
Optional: S-10/15 4X2 Regular Cab Pickup
*Not available in California

Basic Specifications

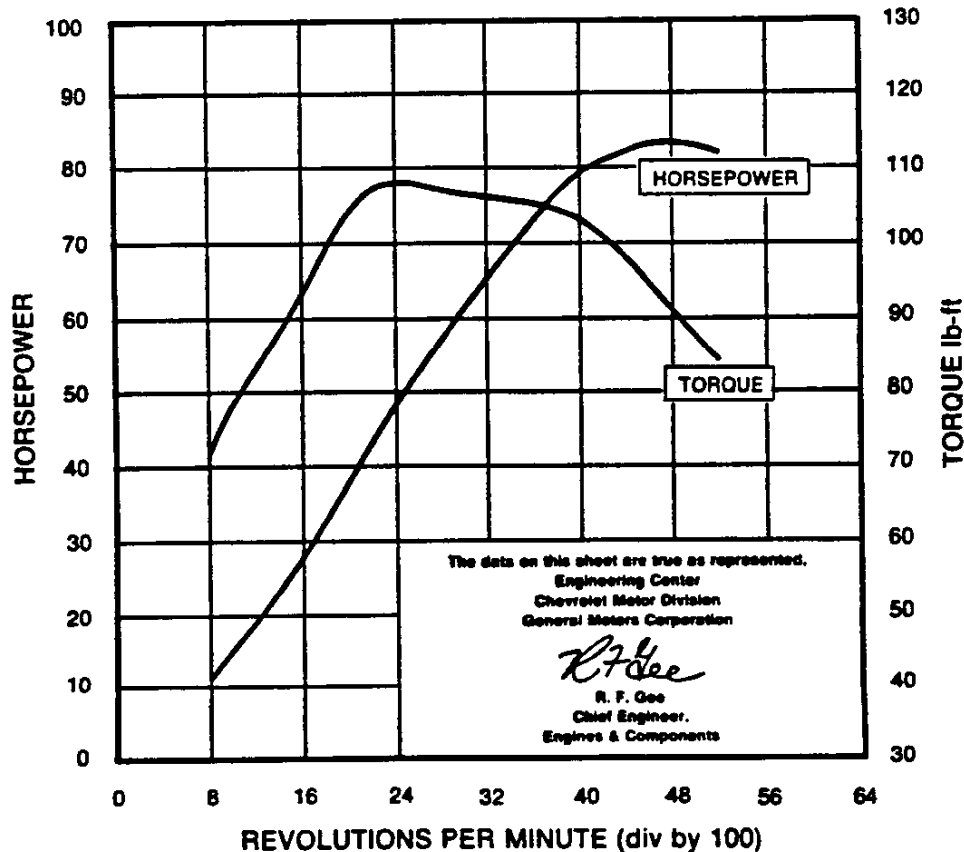
Engine type In-line 4
Piston displacement (Liter/Cu. In.) 2.0/121
Bore & stroke (nominal) 3.50 x 3.15
Compression ratio 9.3:1
Carburetor type 2-barrel
Exhaust Single

Test Procedures

These curves represent full throttle performance as obtained from a dynamometer test simulating actual operating conditions when the engine is in the vehicle, with ratings corrected to barometric pressure of 29.32" mercury and 77°F dry air.

Engine Ratings

SAE net horsepower (77°F) 83 @ 4600 rpm
SAE net torque, lb-ft (77°F) 108 @ 2400 rpm



.0 LITER (121 2-bbl) L4

SPECIFICATIONS

		2.0 Liter/121 2-bbl L4
Basic Description		Four-cylinder in-line; valve-in-head with cast iron block
Displacement (liters/cu. in.)		2.0/121
Bore & Stroke (in.)		3.50 x 3.15
Compression Ratio		9.3:1
Firing Order		1-3-4-2
SAE Net Horsepower @ rpm		83 @ 4600
SAE Net Torque (lb-ft) @ rpm		108 @ 2400
Air Cleaner		Replaceable paper element
Camshaft		
Intake Valve	Opens	14° BTDC
	Closes	62° ABDC
Exhaust Valve	Opens	53° BBDC
	Closes	23° ATDC
Intake Duration Ramp		256°
Exhaust Duration Ramp		256°
Carburetor		
Type		2-Barrel downdraft
Make		Rochester
Venturi ID (in.)		Pri. - 1.10; sec. - 1.218
Throttle Bore (in.)		Pri. - 1.38; sec. - 1.81
Throttle Control		Automatic
Connecting Rods		
Material		Forged steel
Length (in.)		5.307
Bearings		Steel-backed aluminum with overplate
Crankcase Ventilation		Closed positive
Crankshaft		
Material		Nodular Iron
Number of Counterweights		4
Main Journals (in.)		2.49
Crankpin Journal (in.)		2.0
Torsional Damper		None
Bearings		Steel-backed aluminum with overplate
Distributor		High Energy Delco Remy centrifugal & vacuum advance
Fuel Filters		
Carburetor		In-line throwaway type
Fuel Tank		Nylon mesh screen
Lubrication System		Controlled full pressure
Main Bearings		Direct pressure
Camshaft Bearings		Direct pressure
Connecting Rods		Direct pressure
Valves & Tappets		Pressure and Gravity
Cylinder Walls		Cross-sprayed throw-off from rod bearing
Piston Pins		Cross-sprayed throw-off from rod bearing

2.0 LITER (121 2-bbl) L4

SPECIFICATIONS

2.0 Liter/121 2-bbl L4	
Oil Capacity (qts)	
With filter change	4.35
W/o filter change	4.0
Oil Filter	
Standard	Full flow; throwaway type
Capacity (pt)	0.7
Oil Pump	
Type	Spur Gear
Capacity (gpm)	2.4 @ 2200 rpm
Normal Pressure (psi)	45 @ 2200 rpm
Pistons	
Type	Cam-ground
Material	Aluminum alloy
Skirt	Slotted with steel strut
Head	Flat
Piston Pins	
Type	Rod shrink fit to pin
Material	Chromium steel
Piston Rings	
Compression Rings	
Number	2
Type	Upper—barrel; lower—inside bevel
Material	Upper—nodular iron; lower—cast iron
Oil Control Rings	
Number	1
Type	Multi-piece
Material	Chrome plated steel
Thermostat	Harrison; 195°F
Valve Train	
Type	Individually mounted rocker arms, push rod actuated
Tappets	Hydraulic
Valve Lash	Zero
Intake Valves	
Material	Alloy steel and chrome plated stems
Head Diameter (in)	1.60
Face Coating	None
Seats	Machined in cylinder head
Exhaust Valves	
Material	Alloy steel and chrome plated stems
Head Diameter (in)	1.38
Face Coating	None
Seats	Machined in cylinder head, induction hardened
Rotators	None
Water Pump	
Type	Centrifugal
Capacity (gpm)	13.5 @ 2000 rpm

2.2 LITER (137 DIESEL) L4

Ordering Code LQ7

Applications

Standard: S-10/15 Diesel Model Pickups

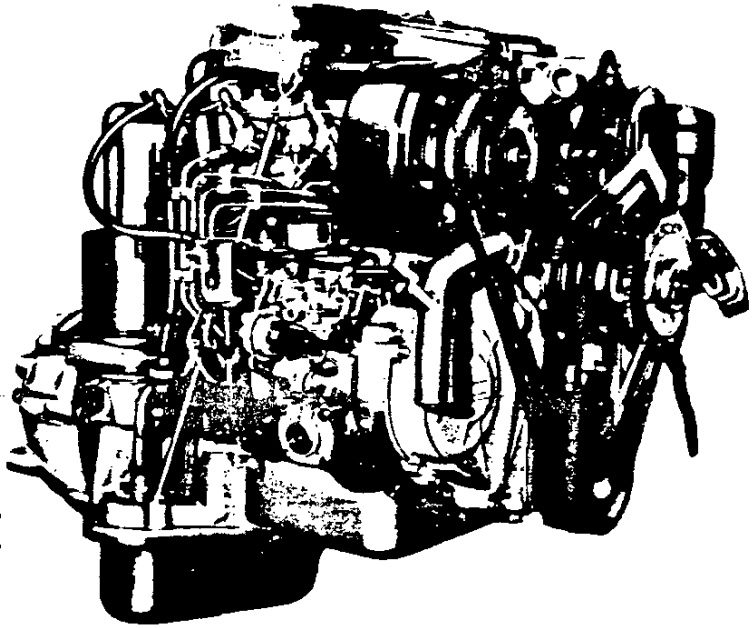
Optional: None

Basic Specifications

Engine type Overhead Valve In-line 4
Piston displacement (Liter/Cu. In.) 2.2/137
Bore & stroke (nominal) 3.46 x 3.62
Compression ratio 21:1
Exhaust Single

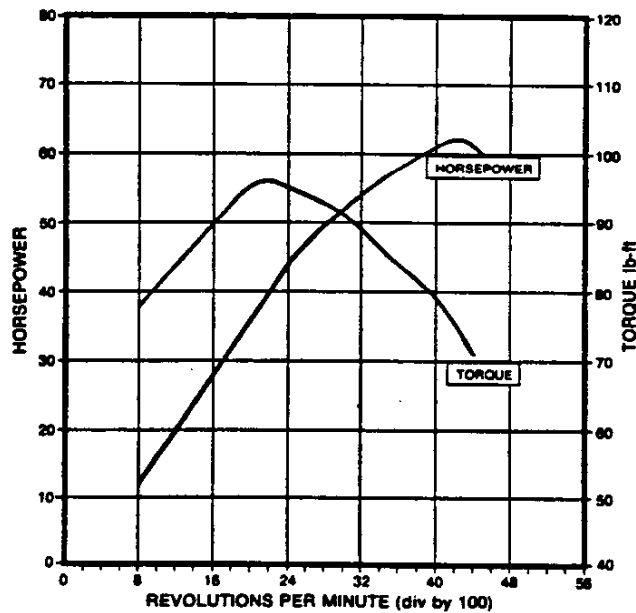
Test Procedures

These curves represent full throttle performance as obtained from a dynamometer test simulating actual operating conditions when the engine is in the vehicle, with ratings corrected to barometric pressure of 29.00" mercury and 85°F dry air.



Engine Ratings

SAE net horsepower (85°F) 62 @ 4300 rpm
SAE net torque, lb-ft (85°F) 96 @ 2200 rpm



2.2 LITER (137 DIESEL) L4

SPECIFICATIONS

Basic Description		2.2 Liter/137 L4 Diesel	
		Four-cylinder in-line; overhead valve with cast iron block and cylinder head	
Displacement (liters/cu. in.)		2.2/137	
Bore & Stroke (in)		3.46 x 3.62	
Compression Ratio		21:1	
Firing Order		1-3-4-2	
SAE Net Horsepower @ rpm		62 @ 4300	
SAE Net Torque (lb-ft) @ rpm		96 @ 2200	
Air Cleaner		Replaceable wet-paper element	
Camshaft			
Intake Valve	Opens	16° BTDC	
	Closes	54° ABDC	
Exhaust Valve	Opens	56° BBDC	
	Closes	14° ATDC	
Intake Duration Ramp		250°	
Exhaust Duration Ramp		250°	
Fuel System			
Lift Pump-Type		Bosch VE Distributor Type—Timing belt driven	
Fuel Shut-off		Electric solenoid	
Injectors		Throttle type	
Injection Pressure		1565-1635 psi	
Actuation		Automatic	
Fuel Injection Timing (Static)		15° BTDC	
Connecting Rods			
Material		Forged steel	
Length (in)		5.2557-5.2561	
Bearings		Steel-backed with tri-metal	
Crankcase Ventilation			
		Vented Breather	
Crankshaft			
Material		Heat-treated forged steel	
Number of Counterweights		4	
Main Journals (in)		2.3591-2.3594	
Crankpin Journal (in)		2.0835-2.0839	
Torsional Damper		None	
Bearings		Steel-backed with tri-metal	
Fuel Filters			
External		Cartridge type w/water separator	
Fuel Tank		Wire mesh	
Lubrication System			
Main Bearings		Full pressure	
Crankshaft Bearings		Direct Pressure	
Connecting Rods		Direct Pressure	
Valves & Tappets		Gravity	
Cylinder Walls		Splash	
Piston Pins		Splash	

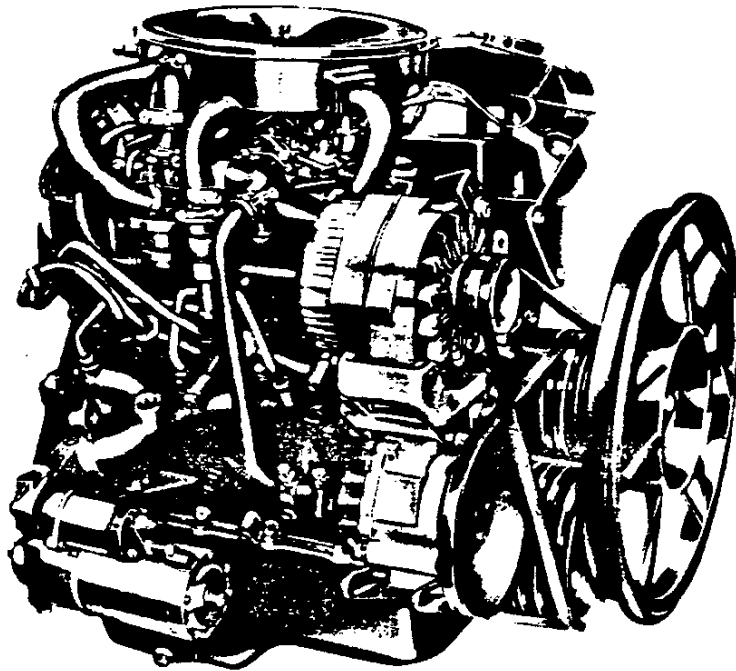
2.2 LITER (137 DIESEL) L4

SPECIFICATIONS

2.2 Liter/137 L4 Diesel	
Oil Capacity (qts)	
With filter change	6.3
Oil Filter	
Standard	Full flow; throwaway type
Capacity (pt)	1.5
Oil Pump	
Type	Trochoid
Capacity (gpm)	3.43 @ 1000 rpm
Normal Pressure (psi)	60
Pistons	
Type	Cam-ground
Material	Aluminum alloy
Skirt	Tin plated full
Head	Concave
Piston Pins	
Type	
Material	Case hardened steel
Piston Rings	
Compression Rings	
Number	2
Type	1st: taper face; 2nd: taper face, under-cut
Material	1st: Chrome plated cast iron
Oil Control Rings	
Number	1
Type	Multi-piece
Material	Chrome plated steel
Thermostat	Fuji-Thompson Wax pellet; 180°F
Valve Train	
Type	Push rod activates rocker arm
Tappets	Solid
Valve Lash	Intake and Exhaust — .016 (cold); .015 (hot)
Intake Valves	
Material	Alloy steel and chrome plated stems
Head Diameter (in)	1.57
Face Coating	Tufrided
Seats	Alloy steel inserts
Exhaust Valves	
Material	Alloy steel and chrome plated stems
Head Diameter (in)	1.34
Face Coating	Tufrided
Seats	Alloy steel inserts
Rotators	
Water Pump	
Type	Centrifugal
Capacity (gpm)	26.4 @ 3000 rpm

2.8 LITER (173 2-bbl) V6

(Ordering Code LR2)



Applications

Standard: None
 Optional: S-10/15 Pickups, Chassis-Cab, Blazer/Jimmy

Basic Specifications

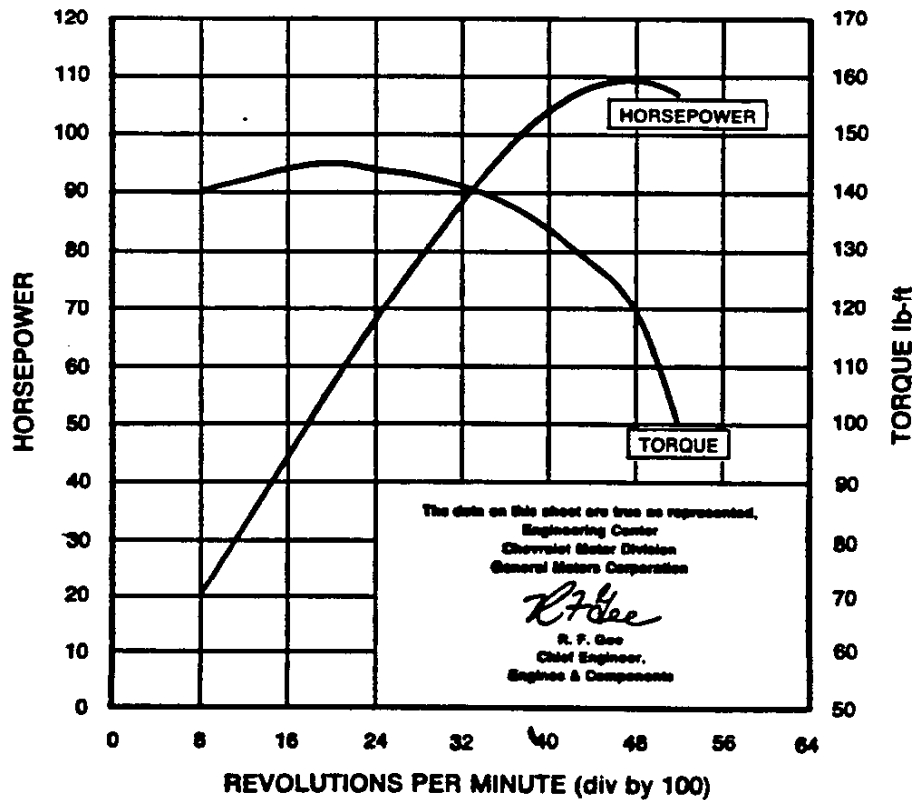
Engine type Valve-in-head
 Piston displacement (Liter/Cu. In.) 2.8/173
 Bore & stroke (nominal) 3.50" x 2.99"
 Compression ratio 8.5:1
 Carburetor type 2-barrel
 Exhaust—Single All

Test Procedures

These curves represent full-throttle performance as obtained from a dynamometer test simulating actual operating conditions when the engine is in the vehicle, with ratings corrected to barometric pressure of 29.32" mercury and 77°F dry air.

Engine Ratings

SAE net horsepower (77°F) 110 @ 4800 rpm
 SAE net torque, lb-ft (77°F) 145 @ 2100 rpm



2.8 LITER (173 2-bbl) V6

SPECIFICATIONS

		2.8 Liter/173 2-bbl V6
Basic Description		V6; Valve-in-head
Displacement (Liter/Cu. In.)		2.8/173
Bore & Stroke		3.50 x 2.99
Compression Ratio		8.5:1
Firing Order		1-2-3-4-5-6
SAE Net Horsepower @ rpm		110 @ 4800
SAE Net Torque (lb-ft) @ rpm		145 @ 2100
Air Cleaner		Replaceable paper element
Camshaft		
Bearings		Steel-backed aluminum w/overplate
Intake Valve	Opens	7° BTC
(excluding ramps)	Closes	50° ABC
Exhaust Valve	Opens	51° BBC
(excluding ramps)	Closes	24° ATC
Intake Duration w/o ramp		237°
Exhaust Duration w/o ramp		255°
Carburetor		
Type		2-barrel
Make		Rochester
Venturi ID (in)		1.218
Throttle Bore (in)		Primary—1.38; Secondary—2.20
Choke Control		Automatic
Connecting Rods		
Material		Drop-forged steel
Length (in)		5.70
Bearings		Steel-backed aluminum w/overplate
Crankcase Ventilation		Closed positive
Crankshaft		
Material		Cast nodular iron
Number of Counterweights		2
Main Journal dia (in)		2.49
Crankpin Journal dia (in)		2.00
Torsional Damper		Inertia; rubber mounted
Bearings		Upper and Lower—premium aluminum
Distributor		High Energy Unit, Delco-Remy
Fuel Filter		
Carburetor		Pleated fiber element
Fuel Tank		Plastic strainer
Lubrication System		Controlled full pressure
Main Bearings		Direct pressure
Camshaft Bearings		Direct pressure
Timing Gear		Centrifugally sprayed
Connecting Rods		Direct pressure
Valve Mechanism		Pressure & gravity
Cylinder Walls		Cross sprayed throw-off from rod bearing
Piston Pins		Cross sprayed throw-off from rod bearing
Oil Capacity (qts)		
With filter change		4
W/o filter change		3.5

2.8 LITER (173 Cu. In.) V6

SPECIFICATIONS

2.8 Liter/173 2-bbl V6	
Oil Filter	Throwaway
Capacity (gts)	43
Oil Pump	
Type	Spur gear; distributor shaft driven
Capacity (gpm)	
Normal Pressure (psi)	
Pistons	
Material	Cast aluminum alloy
Skirt	Closed
Head	Flat
Piston Pins	
Type	Rod shrink fit to pin
Material	Chromium steel
Piston Rings	
Compression Rings	
Number	2
Type	Upper—barrel; lower—inside bevel
Material	Cast iron alloy
Oil Control Ring	Spacer-expander with upper and lower rails
Number	1
Type	Multi-piece
Material	Steel
Thermostat	Harrison; 195°
Valve Train	
Type	Individually mounted rocker arms, push rod actuated
Lifters	Hydraulic
Rocker Arm Ratio	1.50:1
Valve Guides	Integral with cylinder head
Valve Lash	Zero
Intake Valves	
Material	Alloy steel
Diameter (in.)	1.60
Face Coatings	None
Seats	Machined in cylinder head
Exhaust Valves	
Material	High alloy steel
Diameter (in.)	1.31
Face Coating	None
Seats	Machined in cyl. head; induction hardened
Rotators (exhaust)	Yes
Water Pump	
Type	Centrifugal
Capacity (gpm)	

1.8 LITER (229 2-bbl) V6*

(Ordering Code LC3)

Applications

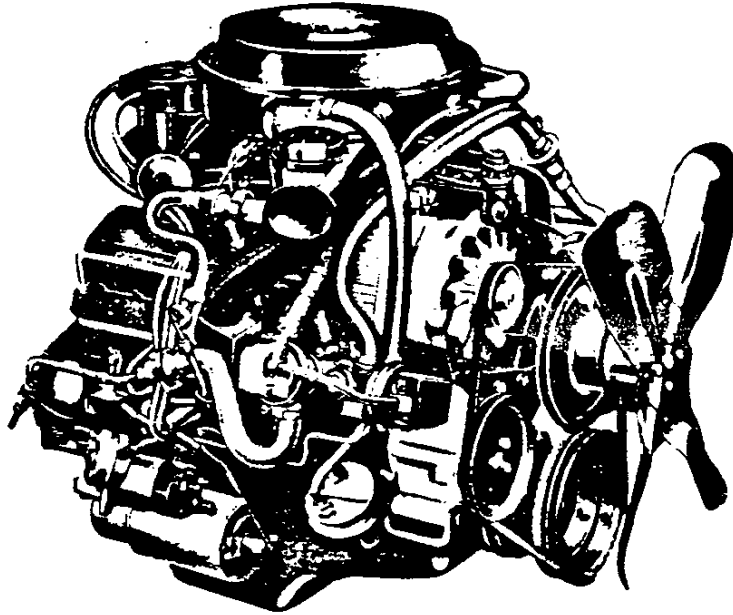
Standard: El Camino/Caballero
Optional: None
*Not Available in California

Basic Specifications

Engine type Valve-in-head
Piston displacement (Liter/Cu. In.) 3.8/229
Bore & stroke (nominal) 3.74" x 3.48"
Compression ratio 8.6:1
Carburetor type 2-barrel
Exhaust—Single All

Test Procedures

These curves represent full-throttle performance as obtained from a dynamometer test simulating actual operating conditions when the engine is in the vehicle, with ratings corrected to barometric pressure of 29.32" mercury and 77°F dry air.



Engine Ratings

SAE net horsepower (77°F) 110 @ 4000 rpm
SAE net torque, lb-ft (77°F) 190 @ 1600 rpm

TRANSMISSION & DRIVELINE

VALUE FEATURES

Transmissions

- Optional 3-speed automatic transmission provides greater performance, smoothness and flexibility with 3-element torque converter. Improves fuel economy and performance by more efficient use of engine torque.
- Standard 3-speed and optional 4-speed transmissions feature fully synchronized forward speeds for better vehicle flexibility and convenience.
- The 700R4 4-speed automatic transmission with overdrive is available for all CK10/1500 models and CK20/2500 models below 8500-lbs GVWR and on CK20/2500 models with 8600-lb GVWR and LT9 or 6.2 Liter diesel engine. It is standard on C10/1500 Suburban models. Featuring a mechanical locking convertor clutch and a fourth-speed overdrive ratio, it offers additional fuel savings over one to one drive transmissions.
- The four-speed manual transmission with overdrive is available on C-K10/1500 Pickup models with gasoline engines, and on C-K10/1500 models equipped with the 6.2 Liter diesel engine.
- Optional 5-speed manual transmission with overdrive is available on S-10/15 models (except Chassis-Cabs).
- A 3-mode electronic speed control unit provides cruise, resume, tap-up, tap-down (1 mph increments), or accelerate in response to driver selection.

FULL-SIZE 4-WHEEL DRIVE VALUE FEATURES

- Automatic locking front hubs on all full-size 4-wheel-drive models.
- Lightweight aluminum transfer case on all K10/1500-20/2500 4-wheel-drive models with gear synchronizers for easy shifting.

Minimum exposure of running gear

- Transmission, transfer case and drive shafts extend only slightly below body for clean appearance.

Low silhouette, high ground clearance

- Transfer case mounted directly to transmission.
- Seven inches of ground clearance.
- Low center of gravity.
- Entry heights range from 21.7" to 25.5" depending on vehicle suspension and tire size.

TRANSMISSION & DRIVELINE

INDEX

	Page
8-10/15 & El Camino/Caballero Transmissions	2
3-Speed Transmissions	3
Automatic Transmissions	4
4- & 5-Speed Transmissions	5
Transfer Case & Odometer Corrections	6
Clutches	7
Driveline	8, 9
Power Take-Off Equipment	10

TRANSMISSIONS

S-10/15

4-, 5-SPEED MANUAL TRANSMISSIONS

Type	4-Speed		5-Speed	
Applications	1.9 Liter (119) L4 2.0 Liter (121) L4 2.2 Liter (137) L4 diesel 2.8 Liter (173) V6			
Synchronized Speeds:	All forward			
Gear Ratios:				
First	4.01	◆4.07	4.03	4.03
Second	2.25	2.39	2.37	2.37
Third	1.42	1.49	1.50	1.50
Fourth	1.00	1.00	1.00	1.00
Fifth	—	—	.86	.76
Reverse	3.90	3.95	3.76	3.76
Gears:	Helical			
Type	Forged steel, hardened			
Material				
Gearshift Control:	Manual linkage			
Type	Floor			
Location				

◆ Used with 1.9L L4 or 2.8L V6 only.

S-10/15

AUTOMATIC TRANSMISSIONS

Type	4-Speed Automatic w/OD	3-Speed Automatic*
Applications	2.0 Liter (121) L4 2.8 Liter (173) V6	1.9 Liter (119) L4
Drive (Maximum Torque Multiplication)	6.08:1	
Cooling	Water	
Gearshift Control:	Manual Linkage	
Type		
Location	Steering Column	

*Available on 4X2 models in California only.

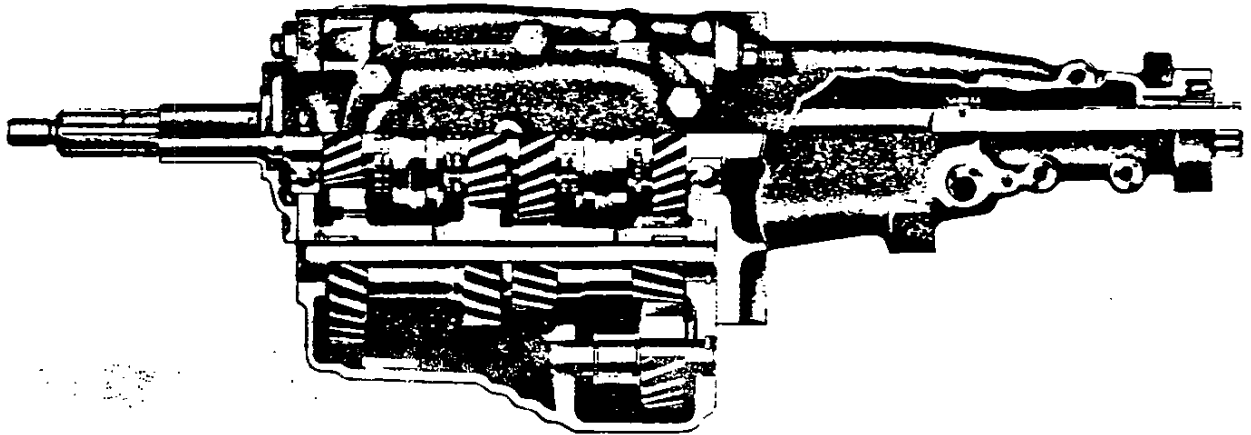
EL CAMINO/CABALLERO

3-SPEED AUTOMATIC TRANSMISSIONS

Applications	3.8 Liter (229) V6▲ 3.8 Liter (231) V6★ 5.0 Liter (305) V8 5.7 Liter (350) Diesel V8
Drive (Maximum Torque Multiplication)	5.04:1
Cooling	Water
Gearshift Control:	Manual Linkage
Type	
Location	Steering Column

▲ Not available in California.
★ Available in California only.

3-SPEED TRANSMISSIONS



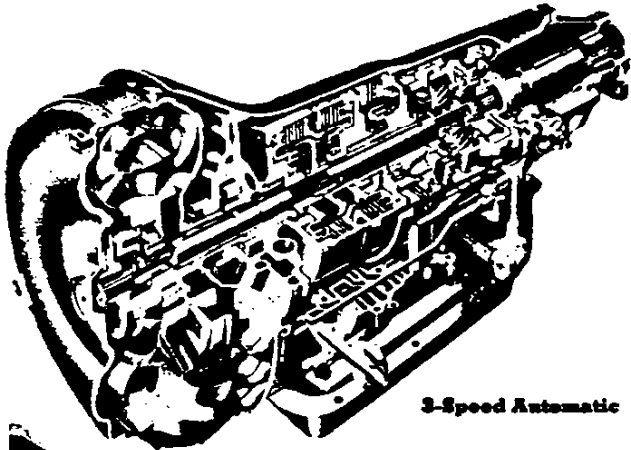
Standard 3-Speed Fully Synchronized Transmission

The 3-speed fully synchronized transmission is standard on Series G10/1500-20/2500-30/3500, C10/1500 models. All forward speeds are synchronized for much better vehicle flexibility and convenience. The gearshift is located on the steering column for C Series models and on the floor for G Series.

Specifications

Type	GM 3-Speed	
	LD Muncie	
Synchronized speeds	All forward	
Center Distance	76 mm	
Engine Application	5.0L	4.1L
Gear Ratios:		
First	2.85	3.50
Second	1.68	1.89
Third	1.00	1.00
Reverse	2.95	3.62
Gears:		
Type	Helical, shot peened	
Material	Forged steel, hardened	
Lubricants:		
Capacity	3 Pints	
Type, grade	See Owner's Manual	

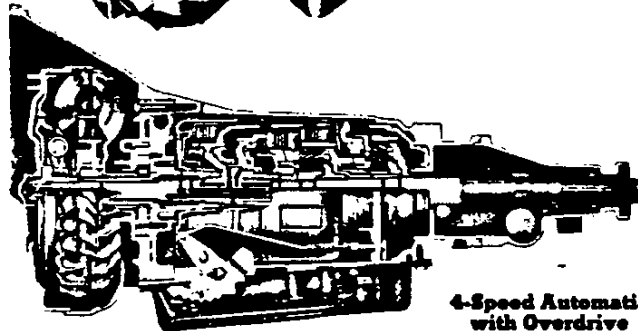
AUTOMATIC TRANSMISSIONS



3-Speed Automatic



Typical 10/1500-30/3500 Series Six Position Selector



4-Speed Automatic with Overdrive



Automatic Overdrive Selector

The 3- and 4-speed automatic transmissions shown in the chart below provide excellent performance, smoothness and flexibility through a 3-element torque converter with a compound planetary gearset. The forward gear affords improved fuel economy and better performance by more efficient use of engine torque thru all ranges.

The 700R4 4-speed with overdrive includes a three-element torque converter and a converter lockup clutch. The gearbox involves an extra set of clutches and gears to provide an overdrive mode. The overall design incorporates technology for overall efficiency of operation and low weight. The 3.06 first gear produces very good acceleration characteristics, and the wide-ratio spread provides good gradability with heavier loads.

A six-position selector for the 3-speed automatic without overdrive on light-duty models provides the following ranges: Park (P), Reverse (R), Neutral (N), Drive (D), Low Two (L2), and Low One (L1). Moving the selector

to L2 locks out third gear entirely, with automatic shifting between first and second gears. The transmission is locked in low gear when L1 is selected.

The seven-position selector for the 4-speed automatic with overdrive provides the following ranges: Park (P), Reverse (R), Neutral (N), Overdrive (D), Drive (D) Low Two (2), and Low One (1). Moving the lever to the Overdrive position will allow the transmission to shift into the overdrive mode at speeds above 40 mph.

Automatic shifting schedules are controlled by a vacuum modulator (except model 200) instead of the mechanical linkages used in other designs. This allows smoother shifts by "sensing" engine vacuum changes.

The 475 is specifically suitable to "stop and go" type of operation such as delivery trucks. It is available on P-30/3500 models with the 10,000 lbs or 11,000 lbs capacity rear axle for the 12,000-14,500 lbs GVWR range.

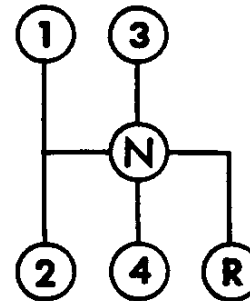
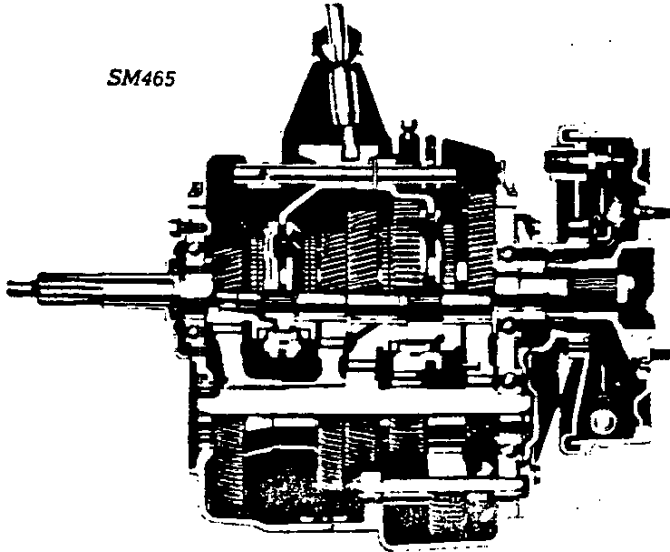
Specifications

Automatic											
Model & RPO Number		200 MX1		350 MX1		400 MX1		475** MX1		700R4▲ MX0	
Torque Converter		Lock-Up	Break-away	Lock-Up	Break-away	Lock-Up	Break-away	Lock-Up	Break-away	Lock-Up	Break-away
Gear Ratios	First	2.74	6.08	2.52	5.29	2.48	5.70	2.48	5.46	3.06*	6.73
	Second	1.57	3.49	1.52	3.19	1.48	3.40	1.48	3.26	1.63-	3.58
	Third	1.00	2.22	1.00	2.10	1.00	2.30	1.00	2.20	1.00	2.20
	Fourth Reverse	-	4.60	1.94	4.07	2.10	4.83	2.10	4.62	.70	1.50
Gear Type		Planetary									
Torque Converter	Element Types Lock-Up Gear Type	Pump, Stator, Turbine Automatic Planetary									
Lubricant Capacity	Dry Fill Refill	13 Pints 7 Pints		20 Pints 5 Pints				19 Pints 9 Pints			

▲4-speed with overdrive. **P30/3500 (32-42) models only with 11,000 lb. rear axle.

4- & 5-SPEED TRANSMISSIONS

SM465



SM465
Gearshift Lever
Positions

SM465 4-SPEED

The 4-speed transmission provides constant mesh type first gear for durability and quiet operation, synchromesh gear engagement in second, third and fourth gears for clashless engagement and non-metallic coated shifter forks for quieter operation. A damper for reduced torsional gear rattle is used on models with rear wheel parking brakes.

High gear pressure angles combined with generous gear face widths resist pitting and provide greater tooth contact area.

The transmission also has heavy-duty bearings and strong rigid shafts for good reliability under extreme operating conditions. A magnet removes metallic particles from the lubricant, reducing wear to moving parts.

Series 10/1500-30/3500 models use cable-actuated rear brakes for a parking brake. P30/3500 models (except Motor Home) with the 11,000-lb rear axle use a transmission mounted internal expanding parking brake that is similar to a rear wheel brake without the wheel cylinder.

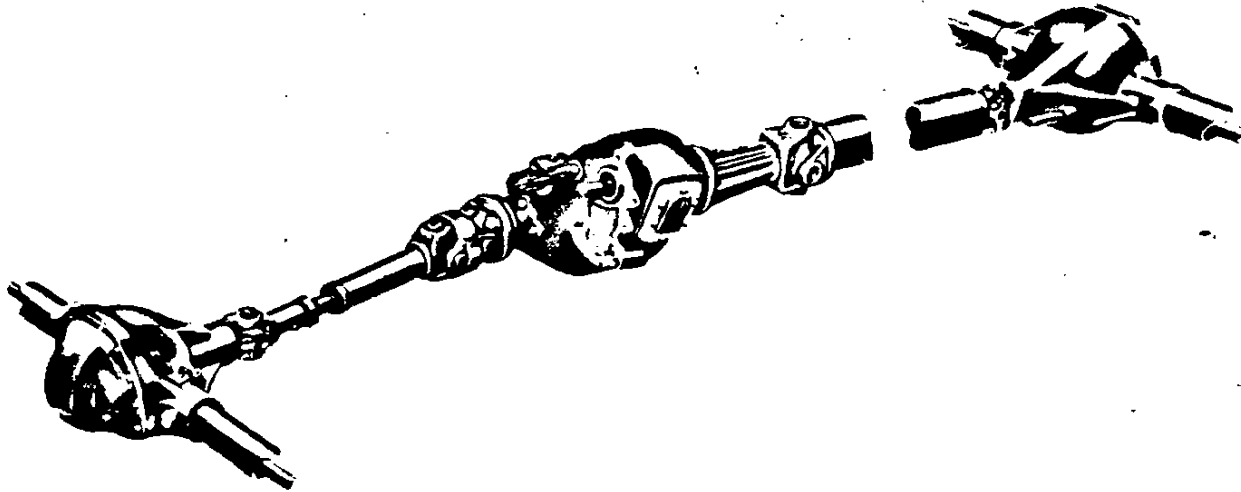
Specifications

	SM465 4-Speed RPO MM4	4-Speed w/Overdrive RPO MM7	5-Speed w/Overdrive RPO MMS	
Synchronized Speeds	2nd, 3rd & 4th	1st, 2nd, 3rd & 4th (OD)	1st, 2nd, 3rd, 4th & 5th (OD)	
Gear Ratios:				
First	6.55	3.09	4.03	4.03
Second	3.58	1.67	2.37	2.37
Third	1.70	1.00	1.50	1.50
Fourth	Direct	.73	1.00	1.00
Fifth	—	—	.86	.76
Reverse	6.09	3.00	3.76	3.76
Gear Types:				
Helical		All Forward Reverse		
Spur				
Power Take-Off Data:				
Opening type	SAE Std 6-Bolt	None	None	None
Location	Both Sides			
Drive gear	3rd Speed Countergear			
PTO gear rpm at 1000 engine rpm	425			
PTO Pitch Line velocity at 1000 engine rpm	560 Ft/Minute			
Center distance	117mm	89mm	77mm	
Lubricants:				
Oil Capacity	6 Pints	7.5 Pints	7.5 Pints	
Type, grade		See Owner's Guide		
Brakes, Parking:				
Type	Internal Expanding*	None	None	
Drum diameter (in)	11.0			
Lining area (sq in)	41.8			

*Rear wheels on Series 10/1500-30/3500 and Series P30/3500 models without the 11,000-lb rear axle.

TRANSFER CASES

FOUR-WHEEL-DRIVE TRANSFER CASE T-10/15 & SERIES K10/1500-30/3500



Specifications

Make & Model No.....	New Process 207	New Process 208	New Process 205
Availability.....	S-10/15 4X4	K10/1500-20/2500	K30/3500
Ratios: Hi Range..... Lo Range.....	1.00 to 1 2.61 to 1	1.00 to 1 2.61 to 1	1.00 to 1 1.96 to 1
Lever Positions.....	4-Lo (All wheel underdrive) N (Neutral) 2-Hi (Rear wheel drive) 4-Hi (All wheel direct drive)		
Lever Location.....	Rear of trans. shift lever Floor, right of center		
Power Take-Off Data: Opening & Location.....	None	None	SAE 6-bolt; Left side
Lubricants: Oil capacity.....	4.6 pints	5.2 pints	
Type, grade.....	See Owner's Guide		

The transfer case on Four-Wheel-Drive models is bolted directly to the transmission case tailshaft through an adapter, eliminating the intermediate propeller shaft linking the two gear boxes. In four-wheel-drive position, driver has the choice of direct drive or underdrive. Control is through a single lever having four positions: four-wheel direct drive; two-wheel direct drive; neutral and four-

wheel underdrive.

All gears and shafts are accurately machined from alloy steel, carburized and hardened for durability. Shafts are mounted on antifriction ball or roller bearings for efficiency and long service life.

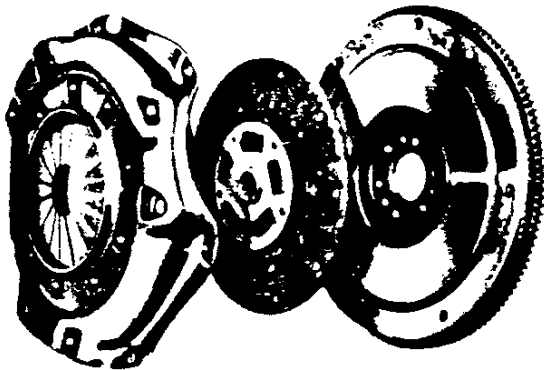
A power take-off opening is provided on the New Process 205 Transfer Case.

ODOMETER CORRECTIONS

Speedometer drive gears are cut to the nearest full tooth when they are manufactured. This causes errors in the mileage indicated on the odometer in the vehicle when various transmission and rear axle combinations are used. Changing tires from a smaller to a larger tire size also causes errors in the indicated mileage. These errors are reduced by the use of adapters that are placed

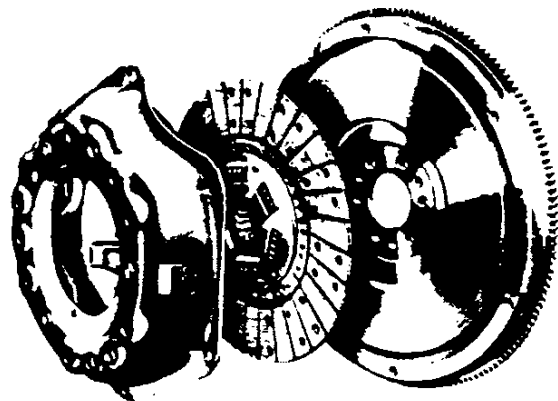
on the speedometer gears when optional transmissions, optional rear axles or optional larger rear tires are ordered from the factory. Odometer adapter gear information and percent of error in odometer readings for the various transmission, rear axle and tire combinations can be obtained from the Zone Service Manager.

CLUTCHES



DIAPHRAGM-SPRING CLUTCHES

GM's diaphragm-spring clutches are well known for driving ease and dependability. The diaphragm spring operates with very light pedal pressure, yet directs uniformly high pressure to the pressure plate and clutch disc. Self-lubricating pilot bushing and permanently lubricated throw-out bearing require no maintenance between normal clutch overhauls.



COIL-SPRING CLUTCHES

GM's coil-spring clutches combine operating ease with high torque capacity and durability in severe truck service. Heat-treated coil springs direct pressure to the pressure plate and driven disc. Coil-spring construction affords good ventilation for cooler operation and protection against burned facings. Pilot bushing and throw-out bearing are self-lubricated.

CLUTCH APPLICATION CHART

MODEL	GVWR	ENGINE Liter/Cu. In.	CLUTCH SIZE				
			8.46 in. dia.	9.13 in. dia.	9.76 in. dia.	11 in. dia.	12 in. dia.
S-10/15	All	1.9/119	X				
		2.0/121		X			
		2.2/137	X				
		2.8/173			X		
C10/1500	4700-6100 6100-7000	All				X	
		5.0/305				X	
		5.7/350					X
		6.2/379					X
K10/1500	All	4.1/250				X	
		5.0/305				X	
		5.7/350					X
		6.2/379					X
G10/1500	All	All				X	
C-E-G-P 20/2500- 30-/3500	All	4.8/292				X	
		5.0/305				X	
		5.7/350					X
		6.2/379					X
		7.4/454					X

CLUTCH CONTROLS

All Light Duty models except S-10/15 models use mechanical clutch controls. S-10/15 model have hydraulic operated controls.

SPECIFICATIONS

	DIAPHRAGM CLUTCH					COIL SPRING CLUTCH
	8.46	9.13	9.76	11	12	12
Clutch Size (in)	8.46	9.13	9.76	11	12	12
Clutch Springs	Spring steel					
Material	Spring steel					
Number used	1	1	1	1	1	12
Total pressure (lbs)	948*	1195	1360	2075	2075	2060(a)
Driven Disc	Dry disc with two facings					
Type	Dry disc with two facings					
Number of plates	1					
Material	Woven composition					
Outside diameter (in)	8.46	9.125	9.76	11	11.85	11.88
Inside diameter (in)	5.90	6.125	6.00	6.5	6.75	6.75
Thickness (in)138	.135	.135	.135	.140	.140
Area (sq in)	57.7	71.9	93.1	123.7	149.0	149.2
Bearings	Single-row ball					
Clutch-release type	Single-row ball					
Pilot type	Sintered-powdered bronze bushing					
Flywheel Material	Nodular iron					

*960 lbs. with 2.2 Liter diesel.

(a)2060 lbs with 5.7 Liter/350 V8; 2370 lbs with 7.4 Liter/454 V8.

DRIVELINE

DESIGN AND FEATURES

Hotchkiss drive is featured on all GM trucks equipped with single rear axle and the standard leaf spring rear suspension. Driveline serves only to transmit power between transmission and rear axle. Rear springs cushion the driving and braking forces at the rear axle for smooth operation. Hotchkiss drive keeps chassis weight down and provides efficient power transfer in all types of truck service.

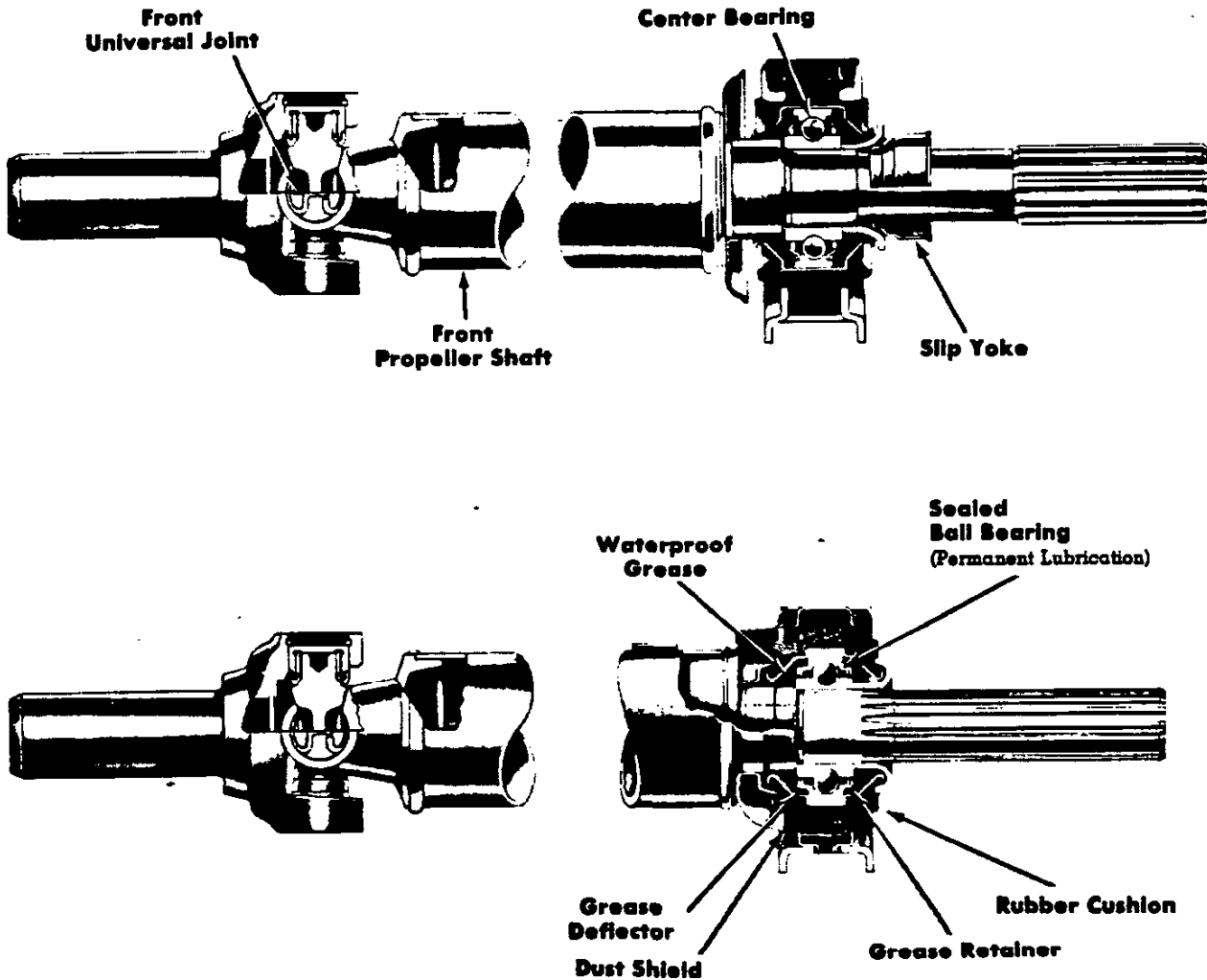
Drivelines for GM trucks are engineered for reserve torque capacity, accurate balance, high rigidity and resistance to vibration.

Propeller shafts are made of smooth-wall steel tube. Length and tube diameters are proportioned for high rigidity to minimize flexing or "whip."

Universal joints are efficient needle bearing type. Trunnions are drop-forged and hardened for wear resistance and long life.

Center bearings, standard on many models, divide driveline into short, rigid propeller shafts. Rubber encased mounting minimizes transfer of vibrations.

Slip yoke adjusts length of driveline to match normal movement of rear axle over bumps, frees driveline of end stresses.



Universal Joint

Low-friction universal joints provide reserve torque capacity and efficient transfer of driving force to rear axle.

Center Bearing

Rubber-encased center bearing isolates propeller shafts, reduces transfer of possible vibrations on all models equipped with multiple propeller shafts.

DRIVELINE

SPECIFICATIONS

The propeller shaft and universal joint specifications shown below are based on Models with Standard Equipment Only. If optional equipment (engine, transmission, transfer case, rear axle) is ordered, different combinations of propeller shafts and universal

joints are provided to make up the driveline. These additional combinations are not described in the Data Book. If specifications for these combinations are necessary, they may be obtained through the Zone Office.

Model	Engine Used	Propeller Shafts						Universal Joints					
		No. Used	Diameter (in)				No. Used	Series					
			Front or Single	Front Axle to Trans. Case	Rear Axle to Trans. Case	Rear		1	2	3	4	5	6
S10516	Four/Six	1	3.50				2	S44	S44				
S10603	Four/Six	1	3.50				2	S44	S44				
S10803	Four/Six	2	2.75			2.75	3	S44	S44	S44			
S10653	Four/Six	2	2.75			2.75	3	S44	S44	S44			
T10516	Four/Six	2		2.00	2.75		4	P23H	P23H	S44	S44		
T10603	Four/Six	2		2.00	3.50		4	P23H	P23H	S44	S44		
T10803	Four/Six	2		2.00	3.50		4	P23H	P23H	S44	S44		
T10653	Four/Six	3		2.00	2.75	2.75	5	P23H	P23H	S44	S44	S44	
C10703	Six/V8	1	3.50				2	S44	S44				
C10903	Six/V8	2	2.75			2.75	3	S44	S44	S44			
C109 Suburban	V8	1	3.50				2	S44	S44				
C20903	Six/V8	2	2.75			2.75	3	1355	1355	1355			
C209 Suburban	V8	2	2.75			2.75	3	1355	1355	1355			
C20943 Bonus Cab	Six/V8	2	3.50			3.50	3	1355	1355	1355			
C20943 Crew Cab	Six/V8	2	3.50			3.50	3	1355	1355	1355			
C309-310 (exc. 43)	Six/V8	2	2.75			2.75	3	1355	1355	1355			
C314	Six/V8	2	3.00			3.50	3	1355	1355	1355			
C30943 Bonus Cab	Six/V8	2	3.50			3.50	3	1355	1355	1355			
C30943 Crew Cab	Six/V8	2	3.50			3.50	3	1355	1355	1355			
K105 Blazer/Jimmy	V8	2		2.00	2.75		4	1315	S44	1355	1355		
K107	Six/V8	2		2.00	2.75		4	1315	S44	S44	S44		
K10903	Six/V8	2		2.00	3.50		4	1315	S44	S44	S44		
K109 Suburban	V8	2		2.00	3.50		4	1315	S44	S44	S44		
K20903	Six/V8	2		2.00	3.50		4	1315	S44	1355	1355		
K209 Suburban	V8	2		2.00	3.50		4	1315	S44	1355	1355		
K30903	Six/V8	2		2.00	4.00		4	1315	S44	1355	1355		
K30943	Six/V8	3		2.00	3.00		6	1315	S44	1355	1355	1355	1355
K310	Six/V8	3		2.00	3.00		6	1315	S44	1355	1355	1355	1355
K314	Six/V8	3		2.00	3.00		6	1315	S44	1355	1355	1355	1355
G110-210	Six/V8	1	3.50				2	S44	S44				
G113-213	Six/V8	2	2.75			2.75	3	S44	S44	S44			
G313-316	Six/V8	2	2.75			2.75	3	S44	1355	1355			
P208-210	Six/V8	2	2.75			2.75	3	1355	1355	1355			
P308-311-314 Motor Home	V8	2	3.00			2.75	3	1355	1355	1355			
P318 Motor Home	V8	2	3.50			3.50	3	1410	1355	1410			
P308-310	Six/V8	2	2.75			2.75	3	1355	1355	1355			
P314	Six/V8	2	3.00			3.50	3	1355	1355	1355			
P318 (Except Motor Home)	Six/V8	3	3.00			2.75▲	4	1355	1355	1355	1355		

●2 propshafts used between the rear axle and the transfer case.

▲2 propshafts used between the rear axle and the transmission; one 2.75" (rear) and one 3.00" (intermediate).

POWER TAKE-OFF EQUIPMENT

AVAILABLE ONLY FROM BODY AND EQUIPMENT COMPANIES

Power take-offs may be installed on the sides (or tops in some cases) of the transmission. Standard SAE 6-bolt or 8-bolt power take-off openings are provided to accommodate a variety of PTO's. Consult the Transmission section for location and number of openings on the transmission you desire to fit.

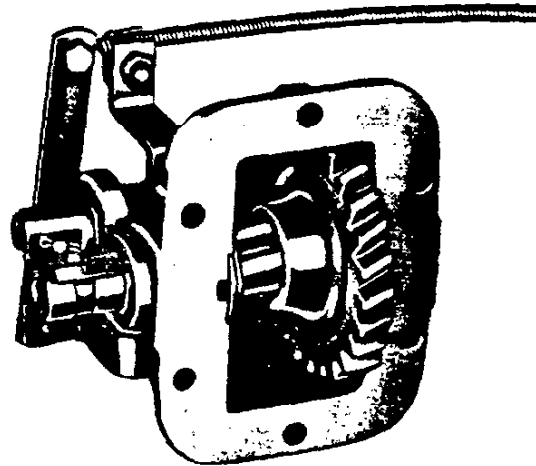
Power take-offs may be controlled by a shift wire or lever, and may be operated with the transmission in neutral or when the

truck is in motion. Speed of the PTO shaft is determined by the engine rpm and the gear ratio between the transmission PTO drive gear and driven gear.

Consult the special equipment distributor to select the power take-off of correct capacity and type to meet operating requirements of each application.

SIDE-MOUNTED POWER TAKE-OFFS For Synchronesh Transmissions

Single-Speed PTO Most truck special equipment power demands can be met with a single-speed power take-off. These units come in medium- or heavy-duty capacities and are of one- or two-gear design. Medium-duty power take-offs are generally rated at about 20 horsepower, and are suitable for operating hydraulic hoists, lift gates or other intermittently driven equipment. Heavy-duty power take-offs are normally rated at about 25 horsepower, and are recommended for continuous or heavy-duty operations, including fluid pumping (gasoline or oil), portable conveyors, wreckers, cranes, garbage packer bodies, hydraulic plows, generators, blowers or compressors. Heavy-duty models are commonly of two-gear design. The output shaft of a one-gear model turns opposite to the transmission PTO gear; the output shaft of a two-gear PTO turns the same way as the transmission PTO gear.

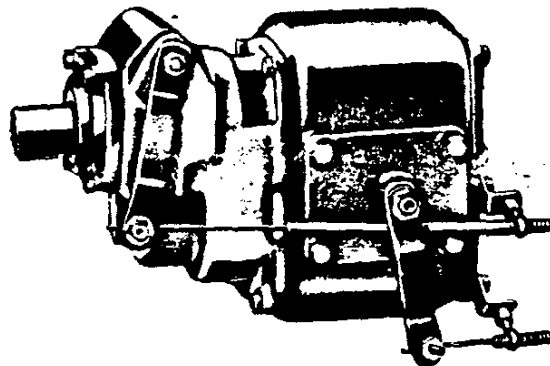


**Single-Speed One-Gear
Power Take-Off**
(Spicer Model AAN)

Multi-Speed PTO Special equipment requiring a reverse speed or a range of forward speeds may be driven by any of the following heavy-duty multi-speed power take-offs:

- Two speeds forward, no reverse
- One speed forward, one reverse
- Two speeds forward, one reverse
- Two speeds forward, two reverse

The PTO driven gear is in constant mesh with the transmission PTO drive gear. The PTO is engaged by shifting the desired gear into mesh. The output shaft may be assembled to the front or rear. One output shaft is normally provided, although special types with dual output shafts are available. Rated capacity for continuous operation is about 25 horsepower. Typical applications would be to drive winches, cranes or derricks.



**Two-Speed Forward
Two-Speed Reverse**
(Chelsea Model 56A)

