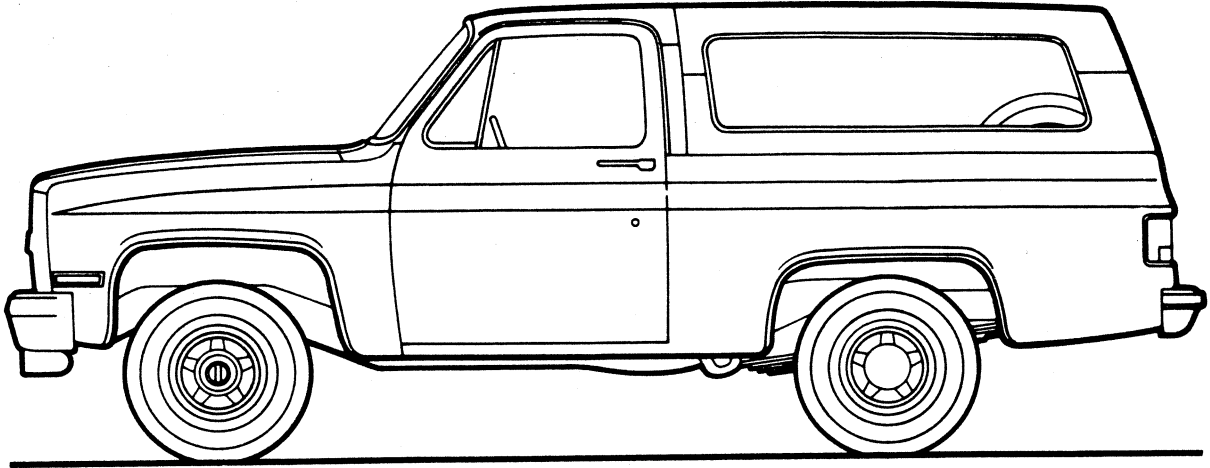


2731BLAZ-85

K BLAZER/JIMMY

BLAZER/JIMMY MODEL SELECTOR

1985



HARDTOP

SERIES	MODEL NUMBER	BODY ORDERING CODE	
		GASOLINE MODELS	DIESEL MODELS
K10/1500 (4X4)	K10516	ZW9	ZW9/B3J

GASOLINE

**K BLAZER/JIMMY
STANDARD SPECIFICATIONS**

(See Gray Tab Section for Specification Details)

Series	K10/1500
Engine Base Equip. Clutch Air Filter Oil Filter Exhaust System Emission Control Systems	5.0 Liter, 305 4-bbl V8 11"; 124 sq. in. Oiled-paper Element Throwaway Type Single; Aluminized See Engine & Cooling Section for specific model applications
Suspension, Front Type Axle Capacity Axle Ratio Springs @ Ground Shock Absorbers Stabilizer Bar Hubs, Manual Locking	Hypoid Driving Axle Leaf Springs 3600 lb. 2.73 1650 lb. ea. 25mm dia. 1.25" dia. Standard
Suspension, Rear Type Axle Capacity Axle Ratio Springs @ Ground Shock Absorbers	Salisbury Axle; Hypoid Drive; Two-stage Multi-leaf Springs Leaf Springs 3750 lb. 2.73 1875 lb. ea. 25mm dia.
Brakes Front Rear Booster Parking	Hydraulic; Self-adjusting Disc; 11.86" Rotor Drum; 11.15" x 2.75" Dual Diaphragm Cable to Rear Wheels
Electrical Battery—Freedom Type —Reserve Capacity Delcotron Generator	12 Volt; Negative Ground 405 CCA ♦ @ 0°F. 75 min. @ 80°F. 37 amp.
Frame Section Modulus	Carbon Steel; 36-39,000 psi 3.14
Fuel Tank (nominal capacity)	25 gal.
Steering Gear Type	Integral Power
Transmission Shift Location	4-Speed Manual Floor
Transfer Case Shift Lever	New Process 208 2-Speed Single Lever
Tires	(5) P215/75R15 All Seasons Steel Belted Radial
Wheels	(5) Disc, 15" x 6"

♦ CCA—Cold Cranking Amps

K BLAZER/JIMMY

STANDARD SPECIFICATIONS

DIESEL

(See Gray Tab Section for Specification Details)

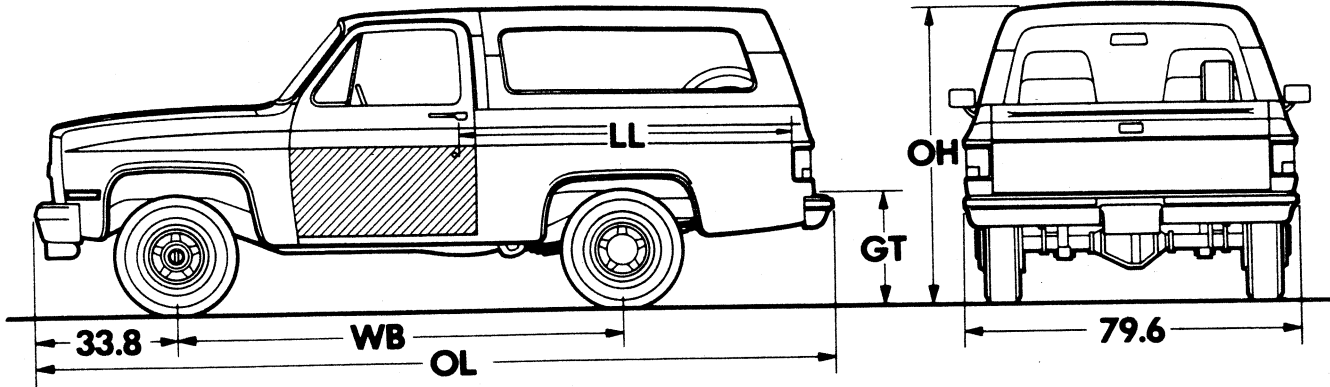
Series	K10/1500
Engine Base Equip. Clutch Air Filter Oil Filter Oil Cooler Exhaust System Emission Control Systems	6.2 Liter, 379 Cu. In. V8 Diesel 12"; 150 sq. in. Poly-wrapped, Oiled-paper Element Throwaway Type Standard Dual; Aluminized See Engine & Cooling Section for specific model applications
Suspension, Front Type Axle Capacity Axle Ratio Springs @ Ground Shock Absorbers Stabilizer Bar Hubs, Manual Locking	Hypoid Driving Axle Leaf Springs 3600 lb. 3.08 1850 lb. ea. 25mm dia. 1.25" dia. Standard
Suspension, Rear Type Axle Capacity Axle Ratio Springs, Main @ Ground Shock Absorbers	Salisbury Axle; Hypoid Drive; Two-stage Multi-leaf Springs Leaf Springs 3750 lb. 3.08 1875 lb. ea. 25mm dia.
Brakes Front Rear Booster Parking	Hydraulic; Self-adjusting Disc; 11.86" Rotor Drum; 11.15" x 2.75" Hydraulic Power Cable to Rear Wheels
Electrical Battery—Freedom Type —Reserve Capacity Delcotron Generator Engine Block Heater	12 Volt; Negative Ground Two; 550 CCA ♦ ea. @ 0°F. 115 min. ea. @ 80°F. 66 amp. 600 watts, 120 volts
Frame Section Modulus	Carbon Steel; 36,39,000 psi 3.14
Fuel Tank (nominal capacity)	27 gal.
Steering Gear Type	Integral Power
Transmission Shift Location	4-Speed Automatic w/Overdrive Steering Column
Transfer Case Shift Lever	New Process 208 2-Speed Single Lever
Tires	(5) P215/75R15 All Seasons Steel Belted Radial
Wheels	(5) Disc, 15" x 6"

♦ CCA-Cold Cranking Amps

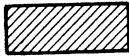
GASOLINE

K BLAZER/JIMMY

Body Ordering Code: ZW9



Sign Panel Area (side)
22" x 39½"



Series	Ground Clearance (in)*	
	Front	Rear
K1	6.9	7.1

K10/1500 SERIES

Model	Engine No. Cyl.	Dimensions (in)*					Curb Weight (lb)			Model Weight (lb)*		
		WB	LL	OL	OH	GT	Front	Rear	Total	Front	Rear	Total
K10516	8	106.5	76.6	184.8	73.8	32.1	2357	2105	4462	2490	2272	4762

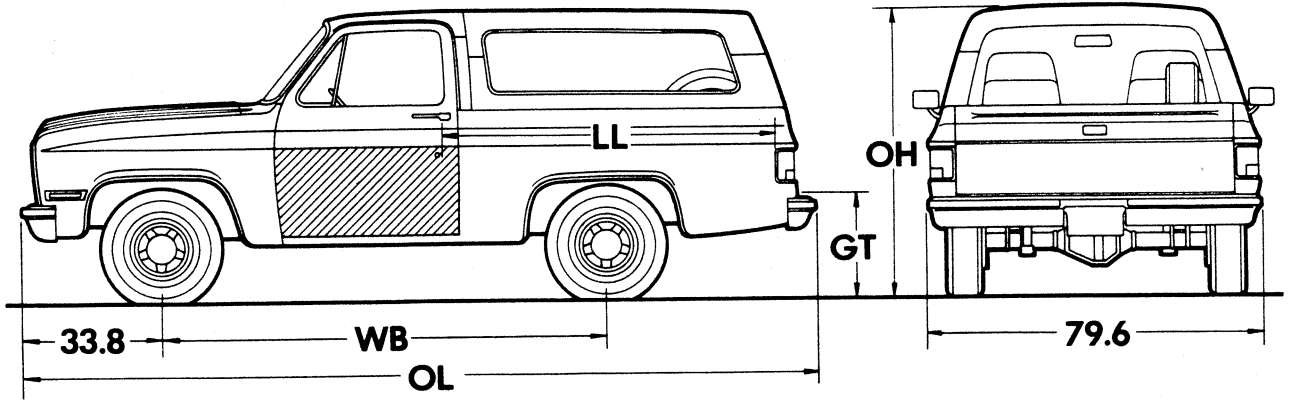
*Dimensions with standard equipment, unloaded.

*Model Weight includes Curb Weight plus occupants (standard seating capacity x 150 lb). Total Model Weight may vary as much as ± 50 lbs. to allow for production build variation.

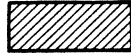
K BLAZER/JIMMY

Body Ordering Code: ZW9/B3J

DIESEL



Sign Panel Area (side)
22" x 39½"



Series	Ground Clearance (in)*	
	Front	Rear
K1	6.9	7.1

K10/1500 SERIES

Model	Engine No. Cyl.	Dimensions (in)*					Curb Weight (lb)			Model Weight (lb)*		
		WB	LL	OL	OH	GT	Front	Rear	Total	Front	Rear	Total
K10516	8	106.5	76.6	184.8	73.8	32.1	2663	2183	4846	2796	2350	5146

*Dimensions with standard equipment, unloaded.

*Model Weight includes Curb Weight plus occupants (standard seating capacity x 150 lb). Total Model Weight may vary as much as ± 50 lbs. to allow for production build variation.

K BLAZER/JIMMY

POWER TEAMS— ALL STATES

POWER TEAMS (MUST ORDER ENGINE, TRANSMISSION AND REAR AXLE)
 (Consult GVWR Selector and Tire Chart to insure tire capacity and availability)

ENGINE	TRANSMISSION		AXLES				GVWR
	4-SP	AUTO	2.73	3.08	3.42	3.73	
W/NA5 STANDARD or NA6 HIGH ALTITUDE EMISSIONS							
LE9 V8 5.0 Liter (305-4BBL)	MM4		%GQ1	%GU4	—	#GT4	6100
		MX0	—	GQ1	GU6	*GT4	6100
LH6 Diesel 6.2 Liter V8 (379 Cu In)(Reqs B3J)		MX0	—	GQ1	GU6	*GT4	61/6250
W/YF5 CALIFORNIA EMISSION REQUIREMENTS							
LS9 V8 5.7 Liter (350-4BBL)		MX0	GQ1	GU4	—	—	6100
LH6 Diesel 6.2 Liter V8 (379 Cu In)(Reqs B3J)		MX0	—	GQ1	GU6	*GT4	61/6250

#Reqs NA6 High Altitude Emissions
 *Reqs Z82 Trailing Special or NA6 High Altitude Emission
 %W/NA6 High Altitude Emissions Base Rear Axle is 3.08;
 2.73 Rear Axle is Not Available

ENGINE RATINGS

ALL STATES EXCEPT CALIFORNIA

SAE Net Ratings	5.0 Liter 305 4-bbl V8	6.2 Liter 379 V8 Diesel
Net Horsepower . .	160 @ 4400 rpm	130 @ 3600 rpm
Net Torque, lb-ft . .	235 @ 2000 rpm	240 @ 2000 rpm

CALIFORNIA ONLY

SAE Net Rating	5.7 Liter 350 4-bbl V8	6.2 Liter 379 V8 Diesel
Net Horsepower . .	165 @ 3800 rpm	130 @ 3600 rpm
Net Torque, lb-ft . .	275 @ 1600 rpm	240 @ 2000 rpm

K BLAZER/JIMMY

GVWR SELECTOR—ALL STATES

K10/1500 SERIES

GVW Rating (lbs)	†GAWR (lbs)		Minimum Equipment Required for GVW Rating		
	Front	Rear	Tire Capacity (lbs ea)		Chassis Equipment
			Front	Rear	
6100	3166	3166	1583	1583	Standard
■6250	3550	3550	1775	1775	Standard

†GAWR's shown are the maximum for each axle with equipment listed. Other GAWR's are available, and they are determined as the minimum capacity of either axle, springs or tires.

■Diesel engine models only.

FRONT AND REAR TIRE AVAILABILITY CHART—ALL STATES

K10/1500 SERIES

Spare tire to match either front or rear tires must be ordered
Must order matching front and rear tread

Description	Capacity (lbs ea)	Highway		On-Off Road		Spare
		Front	Rear	Front	Rear	
TUBELESS						
P215/75R15 Steel Belted Radial	1583	XCU	YCU	—	—	ZCU
P215/75R15 Whitewall Steel Belted Radial	1583	XCV	YCV	—	—	ZCV
P235/75R15 Steel Belted Radial	1843	XFL —	YFL —	— XES	— YES	ZFL ZES
P235/75R15 Whitewall Steel Belted Radial	1843	XFM	YFM	—	—	ZFM
P235/75R15 White Lettered Steel Belted Radial	1843	XFN	YFN	—	—	ZFN
* 31 x 10.50R15LT/B Steel Belted Radial	1775	—	—	XUY	YUY	ZUY
* 31 x 10.50R15LT/B White Lettered Steel Belted Radial	1775	—	—	XUZ	YUZ	ZUZ

*Requires N67, N90 or PA6 wheels.

K BLAZER/JIMMY

THE FOLLOWING EQUIPMENT IS STANDARD ON DIESEL ENGINE MODELS (ALSO SEE STANDARD SPECIFICATIONS PAGES)

- Low Coolant Sensor
- Poly-wrapped Paper Element Air Cleaner
- Engine Block Heater
- Power Steering
- MXO 4-speed Automatic Transmission (with over-drive)
- Water/fuel separator unit which incorporates a water sensor and sending unit, a fuel filter, a fuel heater and water drain capability
- Hydraulic Power-assisted Brakes
- K81 66-amp Generator
- Engine Oil Cooler (located in radiator tank)
- Dual 550 Cold Cranking Amp/115 min. Reserve Capacity Batteries
- HD Radiator
- Dual Exhaust System
- Additional Insulation:
 - Cab-to-fender insulators
 - Fiberglass hood insulator
 - Fiberglass engine compartment firewall insulator
 - Cowl side spray-on deadener
 - Driver compartment dash mat with increased mastic layer
 - Resinated cotton and mastic floor insulation
 - Full cowl interior trim panels with resinated cotton insulation
- Warning Lights: Glow Plugs, Water-in-fuel (or fuel filter), and Low Coolant
- Diesel Engine Identification:
 - Hood ornament
 - Fender nameplates
 - Tailgate nameplate
 - “Diesel Fuel Only” filler cap and label
- HD (1850-lb. ea.) Front Springs

K BLAZER/JIMMY

1985 VEHICLES WITH STANDARD EQUIPMENT

Description	Model Number	Body Code	Wheel Base	Factory D&H(a)	List Price	Mfr's Suggested Retail Price★	Group Number
◆ 8-Cylinder 5.0 Liter (305 Cu. In.) 4 BBL V8 Gasoline Engine-Engine Ordering Code LE9							
K10/K1500 Series 4-Wheel Drive							
Utility	CK/TK10516	ZW9	106.5"				
◆ 8-Cylinder 6.2 Liter (379 Cu. In.) L.D. Diesel V8 Engine-Engine Ordering Code LH6							
K10/K1500 Series 4-Wheel Drive							
Utility	CK/TK10516	ZW9 & B3J	106.5"				

★ Manufacturer's Suggested Retail Prices do not include applicable destination charges, state and local taxes, license fees, optional equipment or special items or services.

◆ Refer to Power Team Chart for California Emission Certification Requirements.

OPTIONS WHEN INSTALLED BY GENERAL MOTORS

Description	Option Number	Factory D&H(a)	List Price	Mfr's Suggested Retail Price◇
Silverado/Sierra Classic: (See Interior and Exterior Color Selection Chart) With custom cloth or custom vinyl seats only. Includes custom steering wheel, YG3 Deluxe Molding Package, taillight and rear door or tailgate moldings, bright front turn signal and front side marker lamp bezels, fender nameplates, bright windshield and rear side window moldings, color-keyed carpeting with bright sill plates, plastic door trim panels with storage pockets and bright brushed- finish accents, visor vanity mirror, V22 Deluxe Front Appearance, dual horns, nameplate on instrument panel, U37 Cigarette Lighter, BB5 Headliner, wheel opening moldings, special insulation, B85 Bright Body Side Moldings, pillar trim panels, stowage console between front seats, floor and wheelhouse carpeting, spare tire cover and Z53 Voltmeter, Temperature and Oil Pressure Gages	YE9			
Seat Trim: High Back Bucket Seats Driver and Passenger. (See Interior and Exterior Color Selection Chart for availability and ordering information.)				
V**4 Vinyl Bucket. Not available when YE9 is specified.				
X**4 Custom Vinyl Bucket. Includes color-keyed carpeting.				
Without YE9. Includes stowage console between front seats.				
Without AM7 Rear Seat				
With AM7 Rear Seat				
With YE9.				
Without AM7 Rear Seat				
With AM7 Rear Seat				
L**4 Custom Cloth Bucket. Available only when YE9 is specified.				
Without AM7 Rear Seat				
With AM7 Rear Seat				
Paints, Exterior: (See Interior and Exterior Color Selection Chart for Ordering Information and Paint Application).				
Solid	ZY1			
Special Two-Tone.				
Without YE9. Includes YG1 Custom Molding Package and wheel opening moldings	ZY3			
With YE9	ZY3			
Exterior Decor Package. Includes hood ornament.				
Without YE9. Includes YG1 Custom Molding Package and wheel opening moldings	ZY5			
With YE9	ZY5			
Emission Systems: Dealer Note - One of the following emission options must be specified.				
California Emission Requirements: (See Power Teams Charts for availability and complete specifications) Includes all testing, equipment and/or certification necessary for registration in the State of California. Not available when NA6 High Altitude or NA5 Standard Emissions is specified.				
Without B3J Diesel Equipment	YF5			
With B3J Diesel Equipment	YF5			
High Altitude Emission Equipment. Not available when YF5 California or NA5 Standard Emissions is specified	NA6			
Standard Emission Equipment	NA5			

K BLAZER/JIMMY

OPTIONS WHEN INSTALLED BY GENERAL MOTORS

Description	Option Number	Factory D&H(a)	List Price	Mfr's Suggested Retail Price◇
Engines: (See Power Teams Chart for availability and complete specifications)				
Gasoline.				
5.0 Liter (305 Cu. In.) 4 BBL V8	LE9			
5.7 Liter (350 Cu. In.) 4 BBL V8. Available only when YF5 California Emissions is specified	LS9			
Diesel.				
6.2 Liter (379 Cu. In.) L.D. V8 Diesel. Available only when B3J Diesel Equipment and MXO Automatic Transmission are specified	LH6			
Transmissions: (See Power Teams Chart for availability and complete specifications)				
4-Speed Manual. Not available when B3J Diesel Equipment or LS9 5.7 Liter Engine is specified	MM4			
4-Speed Automatic with Overdrive. Standard on B3J Diesel Equipment	MXO			
Axles: (See Power Teams Chart for availability and complete specifications)				
Optional Ratio			
Locking Differential	G80			
Tires: (See Tire Charts for Tire Availability)				
All rim sizes are 6.00" except when N67, N90 and PA6 Wheels are specified.				
TUBELESS				
P215/75R15 All-Seasons Steel Belted Radial Ply Blackwall (Maximum Capacity 1583-lbs)				
Front (Standard)	XCU			
Rear (Standard)	YCU			
Spare (Standard)	ZCU			
P215/75R15 All Seasons Steel Belted Radial Ply Whitewall (Maximum Capacity 1583-lbs).				
Front	XCV			
Rear	YCV			
Spare	ZCV			
P235/75R15 All Seasons Steel Belted Radial Ply Blackwall (Maximum Capacity 1843-lbs)				
Front	XFL			
Rear	YFL			
Spare	ZFL			
P235/75R15 On-Off Road Steel Belted Radial Ply Blackwall (Maximum Capacity 1843-lbs)				
Front	XES			
Rear	YES			
Spare	ZES			
P235/75R15 All Seasons Steel Belted Radial Ply Whitewall (Maximum Capacity 1843-lbs)				
Front	XFM			
Rear	YFM			
Spare	ZFM			
P235/75R15 All Seasons Steel Belted Radial Ply White Lettered (Maximum Capacity 1843-lbs)				
Front	XFN			
Rear	YFN			
Spare	ZFN			
31 x 10.50R/15LTB On-Off Road Steel Belted Radial Ply Blackwall. (Maximum Capacity 1775-lbs)				
Available only when N67, N90 or PA6 Wheels are specified				
Front	XUY			
Rear	YUY			
Spare	ZUY			
31 x 10.50R/15LTB On-Off Road Steel Belted Radial Ply White Lettered. (Maximum Capacity 1775-lbs)				
Available only when N67, N90 or PA6 Wheels are specified				
Front	XUZ			
Rear	YUZ			
Spare	ZUZ			

K BLAZER/JIMMY

OPTIONS WHEN INSTALLED BY GENERAL MOTORS

Description	Option Number	Factory D&H(a)	List Price	Mfr's Suggested Retail Price◇
OTHER OPTIONS				
Air Cleaner, Pre-Cleaner	K46			
Air Conditioning: <i>All-Weather.</i> Not available when V10 Cold-Climate Package is specified. Includes extra cooling.				
Without B3J Diesel Equipment. Also includes K81 66-Amp Generator	C60			
With B3J Diesel Equipment	C60			
Appearance, Deluxe Front: Includes dark argent grille with bright trim and dual rectangular headlamps. Included when YE9 is specified	V22			
Battery: <i>Heavy-Duty.</i> 515 Cold Cranking Amps Delco Freedom. Not available when B3J Diesel Equipment is specified. Included when V10 Cold-Climate Package is specified	UA1			
Bumper Equipment:				
<i>Bumpers, Deluxe Chromed.</i> Front and Rear. Not available when V31 Bumper Guards are specified. Includes black resilient impact strips	VE5			
<i>Guards, Chromed, Front Bumper</i>	V31			
Clock: <i>Quartz Electric</i>				
Without YE9. Includes Z53 Voltmeter, Temperature and Oil Pressure Gages	U35			
With YE9	U35			
Cold-Climate Package: Not available when C60 Air Conditioning or B3J Diesel Equipment is specified. Includes special insulation special heater and defroster, K05 Engine Block Heater, anti-freeze protection to -32 degrees and UA1 H.D. Battery.				
Without Z82 Trailing Special. Also includes K81 66-Amp Generator	V10			
With Z82 Trailing Special	V10			
Cooling Systems:				
<i>Engine Oil.</i> Not available when B3J Diesel Equipment is specified. Included when Z82 Trailing Special is specified	KC4			
<i>Radiator, Heavy-Duty.</i> Not available when C60 Air Conditioning or B3J Diesel Equipment is specified	V01			
<i>Radiator and Transmission Oil, Heavy-Duty.</i> Not available when MM4 4-Speed Transmission or V01 H.D. Radiator is specified. Included when Z82 Trailing Special is specified.	V02			
Door Lock System, Power: Included when ZQ2 Operating Convenience Package is specified	AU3			
Floor Covering: <i>Mats, Color-Keyed, Front Floor, Removable</i> Available only when Custom Vinyl or Cloth Interior is specified	B32			
Gages: <i>Voltmeter, Temperature and Oil Pressure.</i> Included when YE9 or U35 Electric Clock is specified	Z53			
Generator: <i>66-Amp Delcotron.</i> Included when B3J Diesel Equipment, Z82 Trailing Special, V10 Cold-Climate Package or C60 Air Conditioning is specified	K81			
Glass:				
<i>Deep Tinted.</i> Includes dark laminated glass on side windows and rear tailgate glass	AJ1			
<i>Deep Tinted with Light Tinted Rear Window.</i> Includes tinted glass on rear tailgate glass, passenger and driver's side door. Also includes dark laminated glass on side windows. Included when AJ1 Deep Tinted Glass is specified	AA3			
Harness, Wiring: <i>Trailer, Heavy-Duty, 7-lead.</i> Included when Z82 Trailing Special is specified	UY7			
Headlamps: <i>Halogen Hi-Beam.</i> Available only when V22 Deluxe Front Appearance Package or YE9 is specified.	TT5			
Headlamp Warning Buzzer	T63			
Headliner, Interior: Included when YE9 is specified	BB5			
Heaters:				
<i>Engine Block. 600 Watts, 120 Volts.</i> Not available when B3J Diesel Equipment is specified. Included when V10 Cold-Climate Package is specified	K05			
<i>Heavy Duty, Front.</i> Available only when B3J Diesel Equipment is specified. Not available when C60 Air Conditioning is specified	C42			

K BLAZER/JIMMY

OPTIONS WHEN INSTALLED BY GENERAL MOTORS

Description	Option Number	Factory D&H(a)	List Price	Mfr's Suggested Retail Price◇
OTHER OPTIONS				
Lighter, Cigarette: Included when YE9 is specified	U37			
Mirrors, Exterior: LH and RH				
Below-Eye-Line Type. 9" x 6.5".				
Painted	D44			
Stainless Steel	D45			
Moldings:				
Body Side, Black. Bright with black insert. Not available when B85 Bright Body Side Moldings, YG3 Deluxe Molding Package or YE9 is specified. Includes lower side and rear moldings of black plastic with bright trim. Included when YG1 Custom Molding Package, ZY3 Special Two-Tone Paint or ZY5 Exterior Decor Package is specified	B84			
Body Side, Bright. Not available when ZY3 Special Two-Tone Paint, ZY5 Exterior Decor Package, B84 Black Body Side Moldings or YG1 Custom Molding Package is specified. Includes bright plastic body side and rear lower moldings with black paint trim, plus bright trim for front side marker lamps and taillights, fender, door, rear side panel and tailgate moldings. Included when YG3 Deluxe Molding Package or YE9 is specified	B85			
Custom Package. Not available when B85 Bright Body Side Moldings or YG3 Deluxe Molding Package is specified. Included when ZY3 Special Two-Tone Paint or ZY5 Exterior Decor Package is specified. Includes B84 Black Body Side Moldings, wheel opening moldings and bright trim for front side marker lamps and taillight trim	YG1			
Deluxe Package. Included when YE9 is specified. Includes bright trim for front side marker lamps and taillight trim, wheel opening moldings and B85 Bright Body Side Moldings.				
Without ZY3 Special Two-Tone Paint or ZY5 Exterior Decor Package	YG3			
With ZY3 Special Two-Tone Paint or ZY5 Exterior Decor Package	YG3			
Guards, Door Edge	B93			
Operating Convenience Package: Includes AU3 Power Door Lock System and A31 Power Windows	ZQ2			
Preliminary Price Information	B3W			
Radio Equipment:				
AM Radio	U63			
AM/FM Radio	U69			
AM/FM Stereo Radio. Available only when YE9 is specified	U58			
AM/FM Stereo Radio with Stereo Cassette Tape. Available only when YE9 is specified	UN3			
Windshield Antenna. Included with radio	U76			
Seats: Dealer Note - AM7 Rear Seat or YG4 Rear Seat Not Desired must be specified. (Added weight includes passenger weight allowance of 150-lbs per seating position. Refer to vehicle and option weight section of Data Book.)				
Rear, 3-Passenger. Forward Folding. Seat trim matches front seat. Includes LH and RH rear armrests with ashtrays, floor covering, floor insulation and (3) seat belts. With standard front seat also includes black embossed rubber rear floor mats. With custom seats or YE9 also includes color-keyed rear floor carpeting.				
Without Custom Trim	AM7			
With Custom Trim. Also includes wheelhouse carpeting	AM7			
Optional Seat Not Desired	YG4			
Shield, Fuel Tank: Includes protective shield transfer case skid plate	NY1			
Shocks, Front Quad: Includes dual left and right hand shock absorbers on front, heavy-duty shock absorbers on rear and a front axle nose bumper to limit axle windup	Z75			
Speed Control, Electronic	K34			
Springs: Front, Heavy-Duty. Capacity 2250-lb each. Includes H.D. front and rear shock absorbers. Recommended for snowplow type usage only.				
Without Z75 Front Quad Shocks	F60			
With Z75 Front Quad Shocks	F60			
Steering Wheel: Comfortilt	N33			
Tank, Fuel: Approximately 31-gallon capacity for gasoline and 32-gallon capacity for diesel. Replaces production fuel tank	NK7			

K BLAZER/JIMMY

OPTIONS WHEN INSTALLED BY GENERAL MOTORS

Description	Option Number	Factory D&H(a)	List Price	Mfr's Suggested Retail Price◇
OTHER OPTIONS				
Top Colors: Dealer Note—One of the following Top Color Options must be specified. (See interior and exterior color availability chart for ordering information)				
Black			19K	
Blue			29K	
Bronze			66K	
Silver			17K	
Tan			61K	
White			12K	
Towing Device: Two front towing hooks			V76	
Trailer Hitch:				
<i>Deadweight Type.</i> Not available when Z82 Trailing Special is specified			VR2	
<i>Weight Distributing Platform Type.</i> Included when Z82 Trailing Special is specified			VR4	
Trailing Special Equipment: Available only when 3.42 or 3.73 Rear Axle Ratio and MX0 Automatic Transmission are specified. Without B3J Diesel Equipment or C60 Air Conditioning, available only when V01 H.D. Cooling is specified. Not available when LS9 5.7 Liter Engine is specified. Includes VR4 Weight Distributing Hitch Platform, UY7 Wiring Harness and V02 H.D. Radiator and Transmission Oil Cooler. (See <i>Trailing Guide in Recreational Vehicles Section for GCW ratings with available power team combinations</i>).				
Without B3J Diesel Equipment or C60 Air Conditioning. Also includes K81 66-Amp Generator and KC4 Engine Oil Cooler			Z82	
With B3J Diesel Equipment			Z82	
With C60 Air Conditioning. Also includes KC4 Engine Oil Cooler			Z82	
Wheel Trim: <i>Bright Metal Wheel Covers.</i> Front units contain hub clearance holes			P01	
Wheels:				
<i>Rally. 15" x 8".</i> Includes trim rings. Not available when P215 Tires are specified.			N67	
<i>Styled. 15" x 8".</i> Four wheels only. Not available when P215 Tires are specified.			PA6	
<i>Aluminum, Cast. Four Wheels only.</i> Includes 15" x 7" wheels and special hub caps			N90	
Windows, Power: <i>Electric.</i>				
<i>Side Door.</i> Included when ZQ2 Operating Convenience Package is specified ...			A31	
<i>Tailgate</i>			A33	
Window, Sliding Side Quarter			AD5	
Windshield Wiper System: <i>Intermittent</i>			CD4	

NOTES

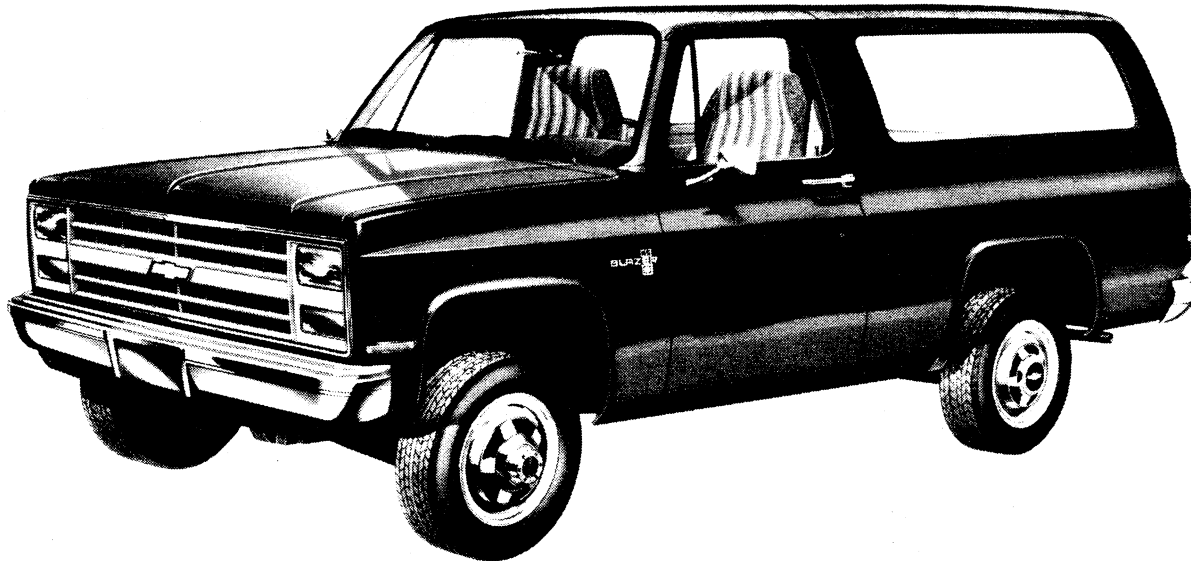
K BLAZER/JIMMY

**CAB & BODY FEATURES
SEATING ARRANGEMENTS
CAB DIMENSIONS
COLOR & TRIM CHARTS
TWO-TONES**

K BLAZER/JIMMY

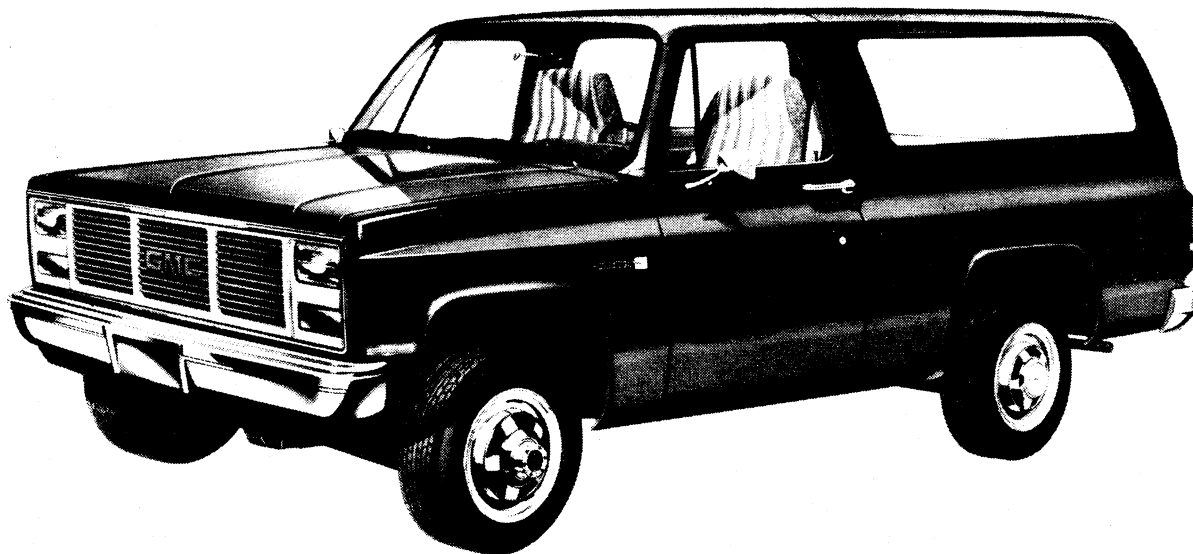
CUSTOM DELUXE/SIERRA FEATURES—STANDARD MODEL

The Custom Deluxe/Sierra standard models include the following items as standard equipment



EXTERIOR

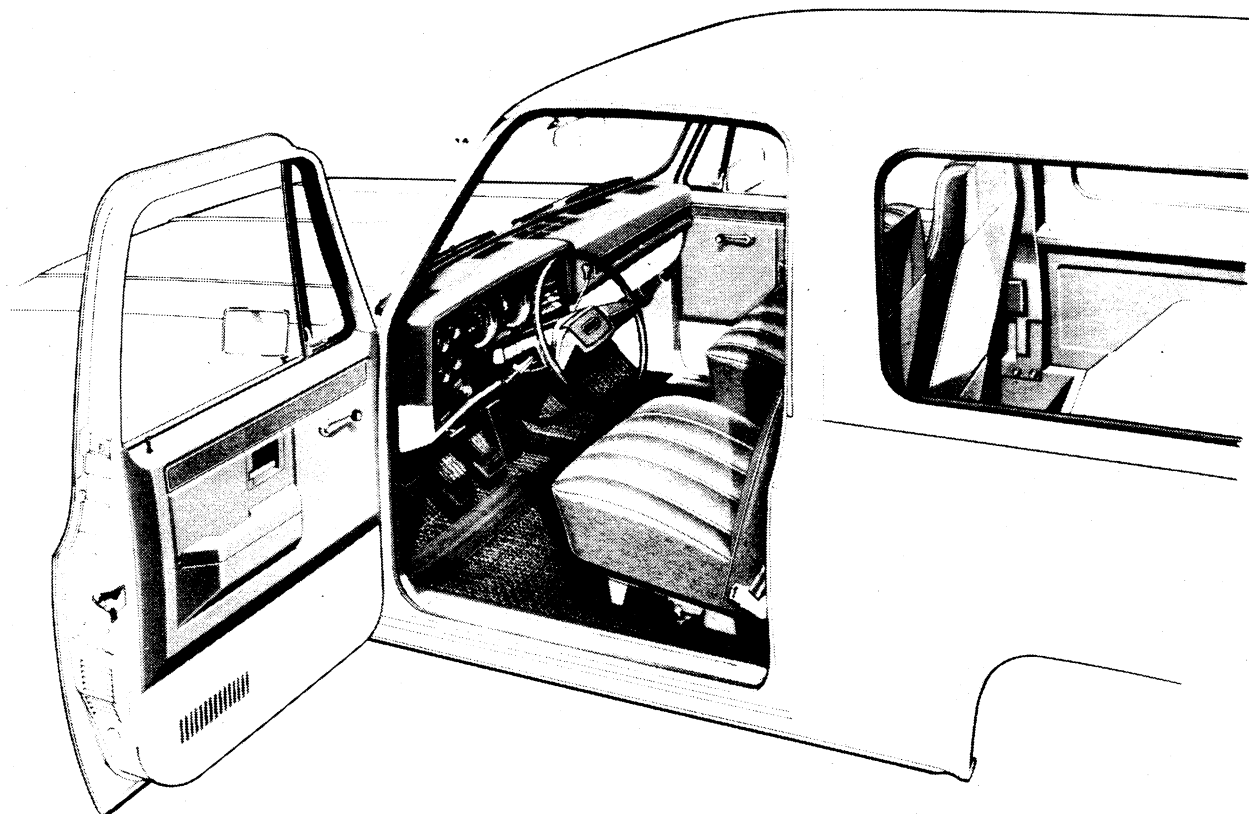
- **Bumpers:** Front and rear; chromed
- **Color:** See Interior and Exterior Color Selection Chart
- **Doors:** RH and LH side doors
- **Drip Moldings:** Over side doors; painted roof color
- **Glass:** Tinted; all windows
- **Grille and Headlamp Bezels:** Molded plastic; painted argent; integral Chevrolet emblem/GMC letters at center of grille
- **Horn:** Single, electric low-note
- **Hub Caps:** Bright metal with black trim
- **Keys:** Two-key system with separate keys for ignition switch and doors
- **Lights:**
 - Backup lamps: Two rear (integral with taillamps)
 - Combination parking/direction/hazard: Two front
 - Combination tail/stop/direction/hazard: Two rear
 - Headlamps: Two, rectangular
 - License plate lamp: Single rear
 - Side marker lamps with reflectors: Two front; two rear (integral with taillamps)
- **Mirrors:** RH and LH fixed arm with adjustable 5-7/16" wide x 4" high heads; chrome finish
- **Moldings:** Bright headlamp and grille outline moldings
- **Nameplates:** Bright "K5 Blazer/Jimmy" nameplates on front fenders near doors; and a bright Chevrolet nameplate/GMC letters on tailgate
- **Removable Top:** Constructed of molded plastic reinforced with fiberglass. Included are LH and RH fixed side windows. The exterior of the top is painted the primary color except when Lt. Blue or Apple Red are used; then the cab roof and removable top are painted white (see Interior and Exterior Color Availability Chart). The cab roof is painted the same color as the removable top
- **Tailgate:** Double-wall steel construction, supported in open position by reel-type cables. Includes drop glass operated by an articulated crank-type regulator handle on the tailgate outer panel. A key lock cylinder is concealed in the regulator handle, and must be unlocked before the window can be lowered. After the window is lowered, the tailgate is released with a handle located at the upper center of the inner panel. An optional electric tailgate window is available (RPO A33)
- **Tools:** Mechanical jack and wheel wrench
- **Wheels:** Painted white
- **Windshield Wipers and Washers:** Electric, 2-speed wipers with bright finish on exposed metal portions; wet-arm demand-type washer system



K BLAZER/JIMMY

CUSTOM DELUXE/SIERRA FEATURES—STANDARD MODEL

The Custom Deluxe/Sierra standard models include the following items as standard equipment



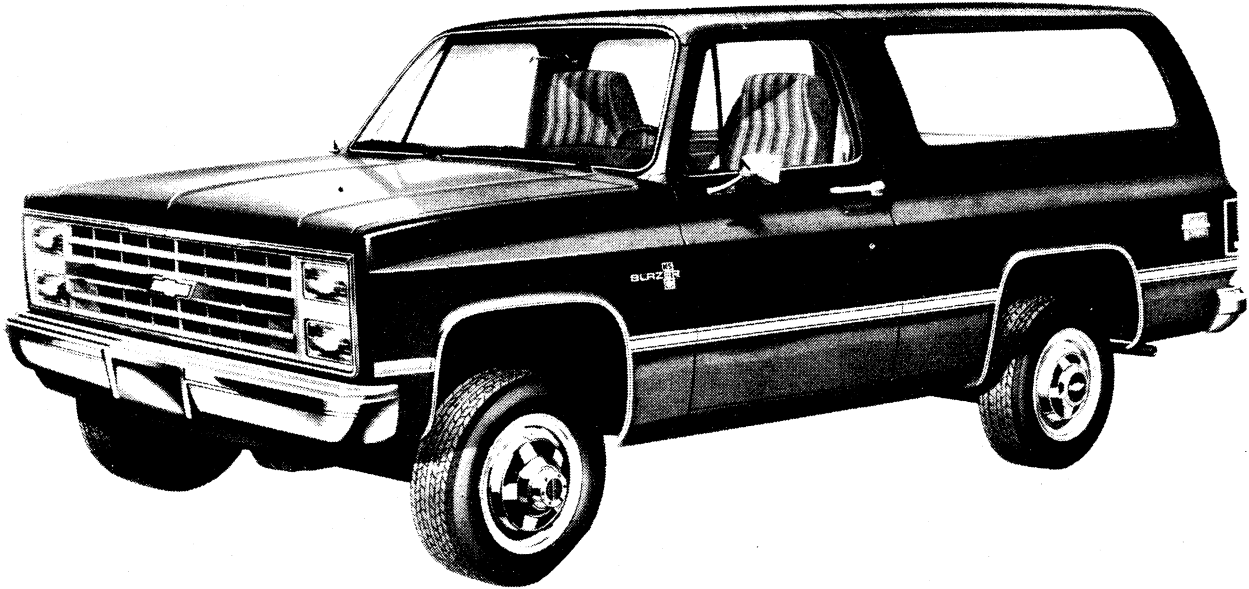
INTERIOR

- **Armrests:** RH and LH padded; integral with door trim panels
- **Ashtray:** In middle of instrument panel
- **Coat Hooks:** Two; on LH side
- **Colors:**
 - Painted body areas: Same as exterior primary color choice
 - Removable top: Mystic
 - Interior trim: Coordinated with seat trim color choice
- **Dome Lamps:** Two; with door-actuated switches (dome lamps may also be activated by main light switch)
- **Door Trim Panels:** Color-keyed, molded plastic
- **Floor Covering:** Embossed black rubber mats; front and rear
- **Heater and Defogger:** Deluxe-air
- **Hood Lock Release:** Handle located on LH side under instrument panel
- **Instrument Cluster Bezel:** Black crackle finish with bright trim
- **Instruments:**
 - Gages: Speedometer, odometer, and fuel
 - Switches: Main, for control of exterior lights, instrument cluster lights, dome light(s) and cab interior lights; multi-function switch on steering column for direction signals by moving lever up or down (includes lane change position), headlamp beams by pulling lever toward driver, windshield wiper by turning band marked "WIPER" toward or away from driver, and windshield washer by pushing in the lever knob; ignition with key-in warning buzzer; hazard warning; heater fan
 - Warning lights: Generator, oil pressure, engine temperature, service-parking brake, direction/hazard signal, seat belt, high beam
- **Instrument Panel Control Knobs:** Soft black plastic (except heater and wiper-washer controls) with white graphic identification
- **Instrument Panel Pad:** Color-keyed, energy-absorbing foam type with grained vinyl skin; has black crackle-finished applique on RH side with bright, black, and silver trim and bright "Custom Deluxe" nameplate
- **Insulation and Sound Deadening Material:** Dash (firewall), under floor mats, and between inner and outer cab roof panels
- **Lights:** Instrument cluster and cab interior lights, cab and removable top dome lights with bright trim
- **Mirror, Rearview:** 10" prismatic with soft vinyl rim
- **Seats:** Driver and passenger; foam-padded high back bucket type with embossed grained all-vinyl trim. See Interior and Exterior Color Selection Chart for color and trim availability
- **Seat Belt:** Driver and passenger; non-detachable combination lap and shoulder belt with emergency-locking retractor and switch in driver's lap belt retractor for buzzer warning system. Belt assembly is color-keyed with pushbutton type buckle
- **Sill Plates:** Full-length, bright, at front doors and at front and rear of rear compartment floor
- **Spare Tire Mounting:** On RH side panel behind wheelhousing
- **Steering Wheel and Column:** 16" black soft plastic wheel with 2-spoke design; black energy-absorbing steering column with anti-theft locking feature
- **Stowage Box:** In RH side of instrument panel; door has bright, turn-type latch release
- **Sunshade:** LH and RH padded; color-keyed

K BLAZER/JIMMY

SILVERADO/SIERRA CLASSIC MODEL OPTION—RPO YE9

This option includes all Custom Deluxe/Sierra standard model items plus the additions or substitutions listed below



EXTERIOR

• Bright Appearance Items:

- Brush-finished applique panel on tailgate
- "Silverado/Sierra Classic" nameplate on each side panel at center rear
- Body side and rear moldings with black paint trim
- Wheel-opening lip moldings with black paint trim
- Front side marker lamp and taillamp trim
- Chrome-trimmed grille and headlamp bezels (Chevrolet models only)

Chevrolet emblem/GMC letters at grille center

Removable top side window moldings

Windshield reveal moldings

• Cab-to-Fender Insulators

• **Grille and Headlamp Bezel Paint:** Dark argent (Chevrolet); argent/dark argent (GMC)

• Hood Insulator

• **Horn:** Additional, electric, high-note

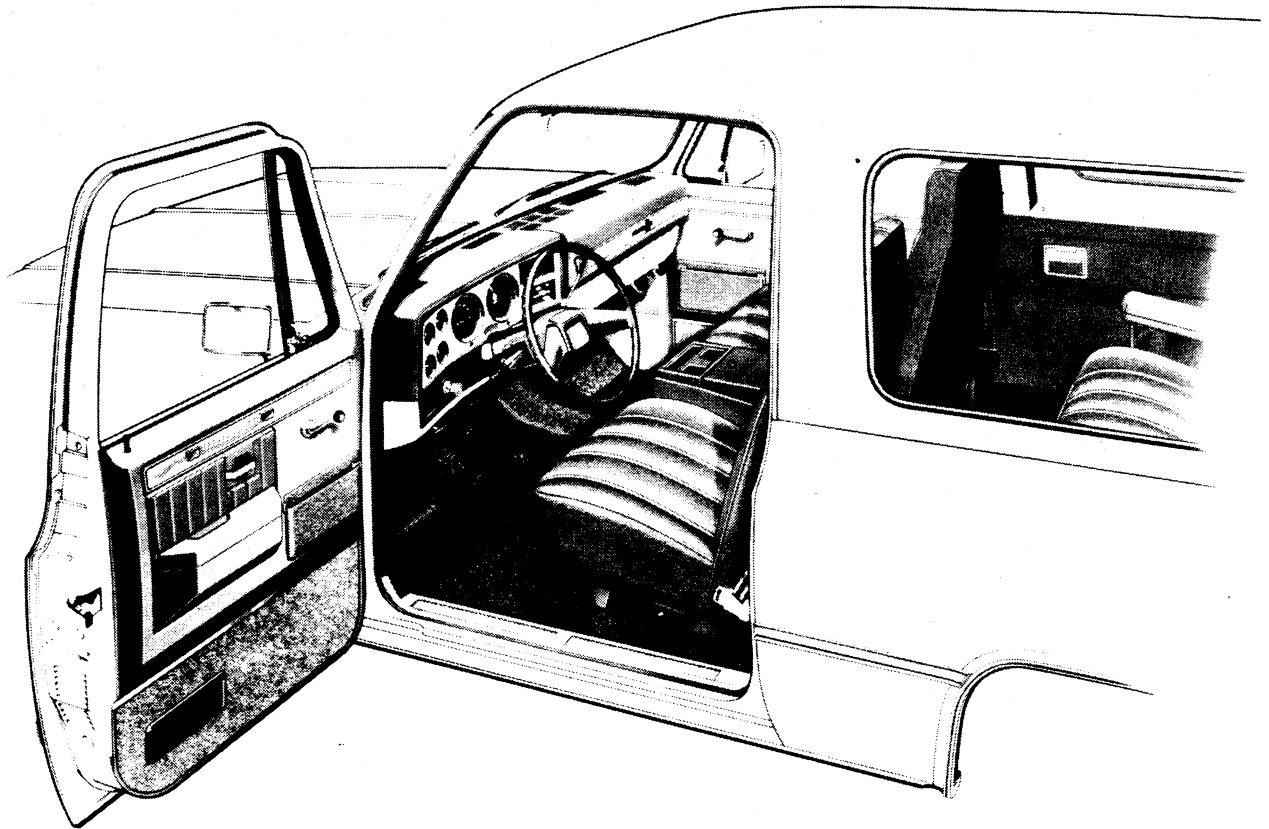
• **Special Headlamps:** Rectangular; dual RH and LH



K BLAZER/JIMMY

SILVERADO/SIERRA CLASSIC MODEL OPTION—RPO YE9

This option includes all Custom Deluxe/Sierra standard model items plus the additions or substitutions listed below



Optional 3-passenger rear seat also shown in illustration

INTERIOR

- **Bright Appearance Items:**
 - "Silverado/Sierra Classic" nameplate on instrument panel pad
 - MM4 four-speed transmission shift lever
 - Trim on instrument cluster bezel, instrument panel pad applique, interior trim panels and on horn button
- **Cigar Lighter:** Includes fiber optic illuminated ashtray
- **Console:** Color-keyed molded plastic with storage/beverage pockets
- **Cowl Panel Trim:** Color-keyed molded plastic on entire surface of cowl side panels
- **Floor Covering:** Color-keyed front compartment carpeting (matching rear compartment floor covering, including wheel-housings, is also provided with optional rear seat)
- **Headliner:** Front compartment; mystic color foam-backed cloth; includes matching windshield pillar and retainer moldings
- **Instrument Cluster:** Voltmeter, oil pressure gage, and engine temperature gage replace warning lamps; includes pewter-toned brush-finished bezel
- **Instrument Panel Pad Applique:** Pewter-toned brushed finish with bright, black and silver trim
- **Insulation:** Extra-thick floor insulators (including rear compartment floor and wheelhousings with optional rear seat)
- **Seats:** Choice of: 1) all-vinyl pigskin grained trim; or 2) textured velour cloth/vinyl trim. See Interior and Exterior Color Selection Chart for color and trim availability
- **Spare Tire Cover:** Black vinyl
- **Special Insulation:** Insulator under cowl top panel
- **Steering Wheel:** Bright trim on horn button
- **Trim Panels:** Molded, color-keyed plastic front door trim panels, door closing assist straps, pewter-toned brush-finished upper decorative inserts having bright, black and silver borders; vinyl storage pockets; vinyl inserts in armrest area plus carpeting and bright trim strips on lower portions. Color-keyed embossed vinyl rear compartment sidewall trim panels with ashtrays and carpet trim
- **Visor Mirror:** On RH sun visor

K BLAZER/JIMMY

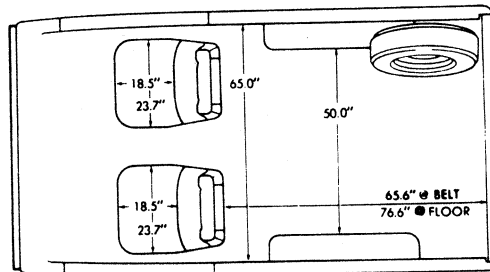
OPTIONAL SEATS

The driver and front passenger seats for Custom Deluxe/Sierra (standard) models are available with optional all-vinyl pigskin grain trim in a choice of blue or saddle tan. This option includes a color-keyed plastic floor console between the seats, color-keyed front carpeting and extra-thick front floor insulation.

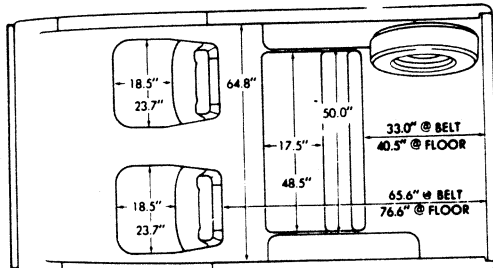
When the Silverado/Sierra Classic Model Option (RPO YE9) is ordered, a choice of either pigskin grain all-vinyl trim or textured velour cloth and vinyl trim in blue, burgundy, saddle tan or slate gray.

A three-passenger folding rear seat with armrests (RPO AM7) is available for all models. Seat belts are provided at all seating positions, with outboard units incorporating retractors. LH and RH ashtrays mounted to the sidewalls also are provided. The seat trim and floor covering match those of the front compartment, and rear wheelhousing insulation and carpeting are included when the leather grain all-vinyl front seats or cut-pile velour cloth and vinyl front seats are ordered.

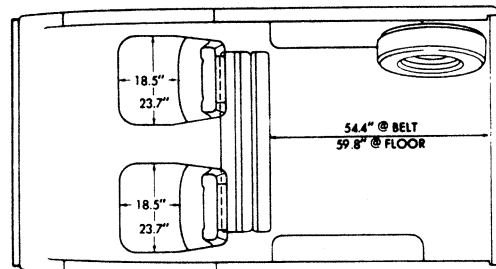
SEATING ARRANGEMENTS



Standard front driver and passenger bucket seats

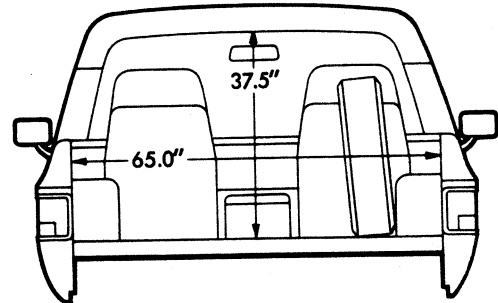
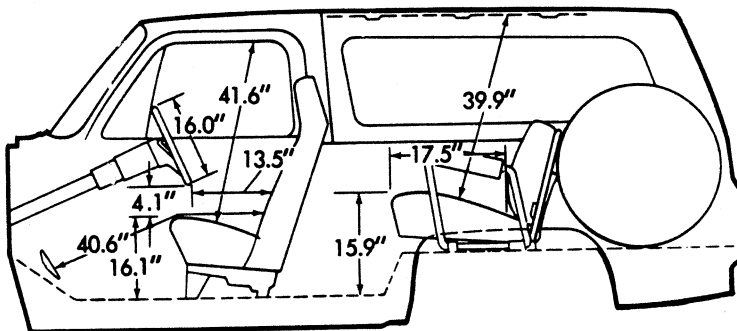


Front and 3-passenger rear seat



Front and 3-passenger rear seat (rear seat shown in folded position)

DIMENSIONS



Glass Area (sq. in.)

Windshield..... 1447
 Side door, including venti-
 pane (each side)..... 546

Removable top side win-
 dow (each side)..... 894
 Tailgate drop glass (Hard-
 top models)..... 1077

K BLAZER/JIMMY

INTERIOR AND EXTERIOR COLOR AVAILABILITY CHART

Please Note: Below are the interior trim color and exterior paint combinations *recommended* by Chevrolet/GMC. The only available primary/secondary exterior color combinations are those shown in the chart below; however, any available interior trim color may be ordered with one of these exterior color combinations if that particular combination is desired by the customer.

INTERIOR COLORS		Decor	Blue	Burgundy	Saddle Tan	Slate Grey		
CUSTOM DELUXE/SIERRA		Std.	VDD4		VSS4			
Vinyl High Back Bucket Seats			XDD4		XSS4			
SILVERADO/SIERRA CLASSIC		YE9	XDD4	XEE4	XSS4	XTT4		
Custom Vinyl High Back Bucket Seats			LDD4	LEE4	LSS4	LTT4		
EXTERIOR COLORS w/ZY1 or ZY3 PAINT		Primary	Secondary	RECOMMENDED INTERIOR TRIM COLOR			Top Color*	
BLACK, MIDNIGHT	19	19		X	X	X	19K	
Silver (Metallic)	19	17				X	19K	
Tan, Doeskin	19	61			X		19K	
White, Frost	19	12				X	19K	
BLUE, LIGHT (Metallic)	21	21	X			X	12K	
White, Frost	21	12	X				12K	
BLUE, MIDNIGHT	29	29	X			X	29K	
Blue, Light (Metallic)	29	21	X				29K	
White, Frost	29	12	X				29K	
BRONZE, INDIAN (Metallic)	66	66			X		66K	
White, Frost	66	12			X		66K	
RED, APPLE	72	72		X	X		12K	
White, Frost	72	12		X			12K	
SILVER (Metallic)	17	17	X	X		X	17K	
Black, Midnight	17	19				X	17K	
White, Frost	17	12				X	17K	
TAN, DOESKIN	61	61			X		61K	
Black, Midnight	61	19			X		61K	
White, Frost	61	12			X		61K	
WHITE, FROST	12	12	X	X	X	X	12K	
Black, Midnight	12	19		X		X	12K	
Blue, Light (Metallic)	12	21	X				12K	
Blue, Midnight	12	29	X				12K	
Red, Apple	12	72		X			12K	
Silver (Metallic)	12	17				X	12K	
Tan, Doeskin	12	61			X		12K	
w/ZY5 PAINT (Exterior and Interior Combinations Shown are the Only Combinations Available)								
BLACK, MIDNIGHT/Red, Apple	19	72		X			19K	Vermillion/Black
BLACK, MIDNIGHT/Silver (Metallic)	19	17				X	19K	Vermillion/Black
BLACK, MIDNIGHT/Tan, Doeskin	19	61			X		19K	Vermillion/Black
BLACK, MIDNIGHT/White, Frost	19	12				X	19K	Vermillion/Black
BLUE, MIDNIGHT/Blue, Light (Metallic)	29	21	X				29K	Light Blue/Dark Blue
BLUE, MIDNIGHT/Silver (Metallic)	29	17	X			X	29K	Vermillion/Light Slate
BRONZE, INDIAN (Metallic)/Tan, Doeskin	66	61			X		66K	Almond/Dark Brown
BRONZE, INDIAN (Metallic)/White, Frost	66	12			X		66K	Almond/Dark Brown
SILVER (Metallic)/Black, Midnight	17	19				X	17K	Vermillion/Black
SILVER (Metallic)/Blue, Light (Metallic)	17	21	X				17K	Dark Blue/Light Blue
SILVER (Metallic)/Blue, Midnight	17	29	X				17K	Light Blue/Dark Blue
SILVER (Metallic)/Red, Apple	17	72				X	17K	Vermillion/Light Slate
TAN, Doeskin/Black, Midnight	61	19			X	X	61K	Almond/Dark Brown
TAN, Doeskin/Red, Apple	61	72			X		61K	Almond/Dark Brown
WHITE, FROST/Black, Midnight	12	19				X	12K	Vermillion/Black
WHITE, FROST/Tan, Doeskin	12	61			X		12K	Dark Brown/Almond

*One of the following top colors must be specified: 12K—White, 17K—Silver, 19K—Black, 29K—Blue, 61K—Tan, 66K—Bronze

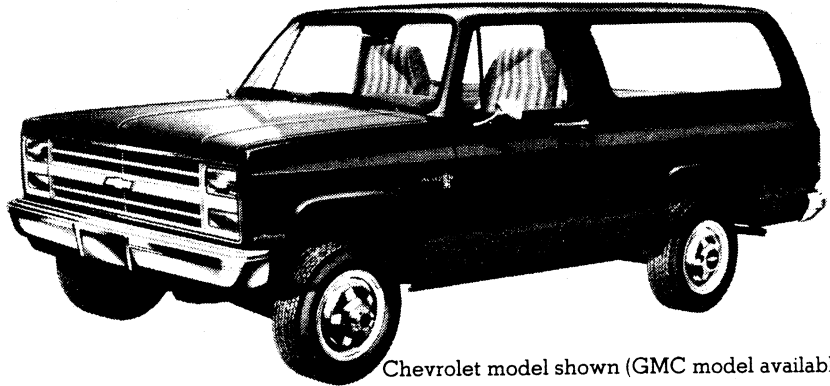
Paint Applications

K BLAZER/JIMMY

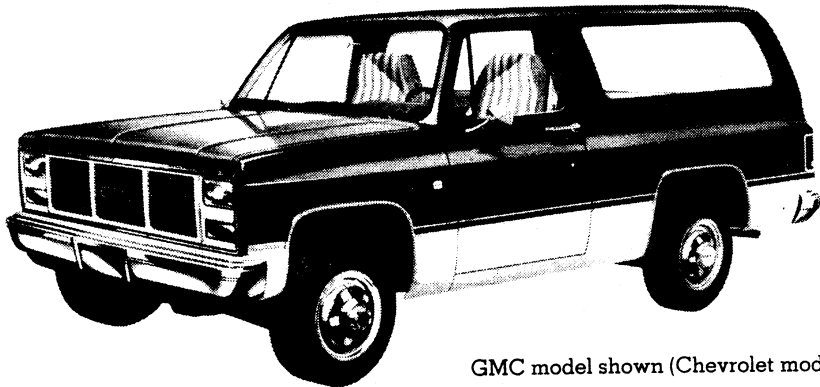
SOLID AND TWO-TONE* EXTERIOR COLOR COMBINATIONS

The application of paint for solid and two-tone exterior color combinations is shown below.

Solid Color (ZY1) paint is standard on all models. All painted areas of the body and front end sheet metal including the cab roof and removable top are painted the same color except when Lt. Blue or Apple Red are used; then the cab roof and removable top are painted white.



Chevrolet model shown (GMC model available)

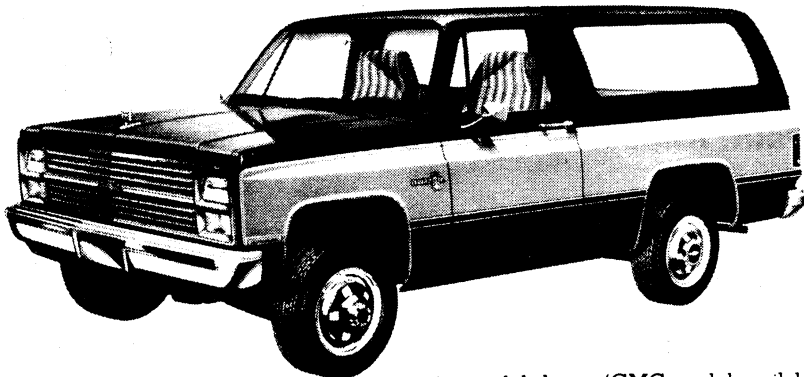


GMC model shown (Chevrolet model available)

Special two-tone (ZY3) paint colors are available on all models and include the YG1 molding package consisting of black vinyl body side and rear moldings with bright trim, bright wheel opening moldings, and bright trim for front side marker lights and tail lights (except with the YG3 molding package or the Silverado/Sierra Classic Model Option where bright body side and rear moldings with black paint trim are

substituted). The primary color is applied to the areas above the moldings. The secondary color is applied to the areas below the moldings. The cab roof, including the drip rails, and the removable top will be painted the primary color except when Lt. Blue or Apple Red are used; then they are painted white. (See Interior and Exterior Color Availability Chart to determine cab roof and top color availability.)

Exterior Decor Package (ZY5) paint colors and trim are available in a choice of ten combinations (see Interior and Exterior Color Availability Chart). This package includes the moldings described under Special two-tone. In addition, it includes dual-tone body side and rear tape decal striping keyed to the exterior body color. This striping is applied to the front fenders, side doors and body sides and rear, a few inches above the styling crease line. The areas above the striping and below the moldings are painted the primary color. The secondary color is used between the striping and the moldings. The cab roof, including the drip rails, and the removable top will be painted the primary color except when Lt. Blue or Apple Red are used; then they are painted white. (See Interior and Exterior Color Availability Chart to determine cab roof and top color availability.) A bright spring-loaded, stand-up type hood ornament is also included on gasoline engine models.



Chevrolet model shown (GMC model available)

*Optional at extra cost.