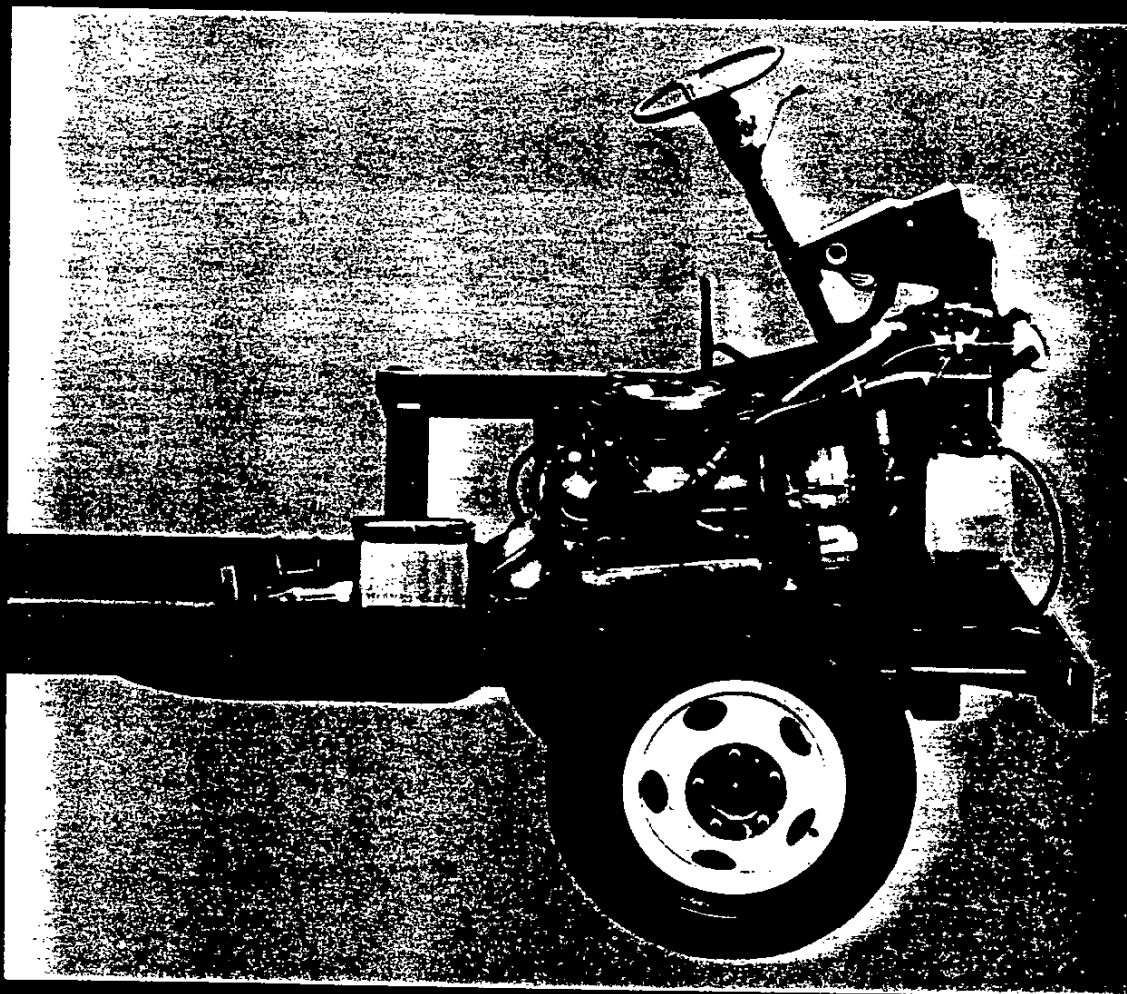




C H E V Y T R U C K S 1 9 8 5



WHAT'S NEW FOR '85



BODY, CHASSIS AND POWERTRAIN

- 60-gallon fuel tank now standard on 158.5"- and 178"-wheelbase Motor Home Chassis. (Available January 1985.)
- New larger fuse block for easier serviceability.

OPTIONS

- New 5,000-lb. I-beam front axle (RPO FS3) now available for Motor Home Chassis models with 12,300- or 14,500-lb. GVWR.

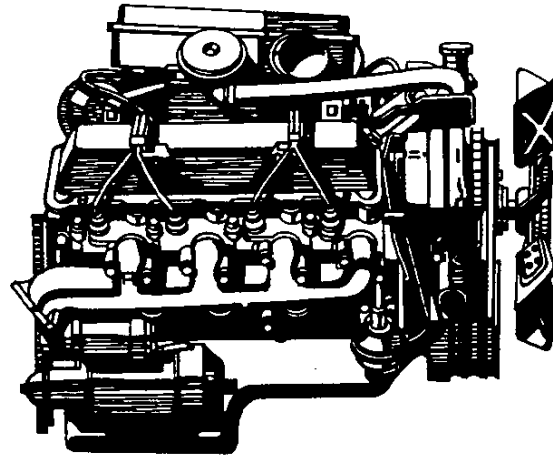
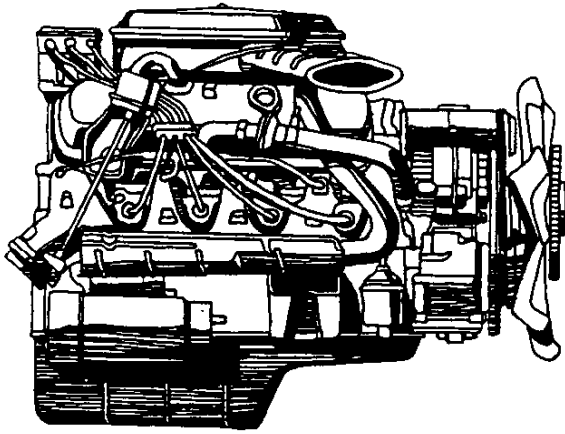
P60 CHASSIS ALSO AVAILABLE

- GVW Ratings up to 18,000 lbs. Refer to the Chevrolet Medium-Duty Truck Data Book for details.

1985 FRONT SUSPENSION APPLICATIONS

Models	Suspension Type	Front-Axle Capacity	Front-Spring Capacity	Rear Axle	GVW
P30	Independent	4300	5000	7900	10,500
Motor Home	Independent	5000	5000	7900	11,000
	Independent	4300	5000	7900	11,800
	Independent	5000	5000	7900	12,300
	I-Beam	5000	5000	7900	12,300
	I-Beam	5000	5000	10,000	14,500
	Independent	5000	5000	10,000	14,500

ENGINE VALUE FEATURES



7.4 LITER (454 CU. IN.) V8 ENGINE

Available for big loads and heavy towing. Standard on 125,"- 137,"- 158.5,"- and 178"-wheel-base models. This high-torque 454 V8 with a 4-barrel carburetor operates on regular-grade gasoline. Camshaft is designed for added efficiency.

Engine Specifications	
Type	V8 OHV
Displacement	7.4L (454 Cu. in.)
Bore and Stroke	4.25 x 4.00 in.
SAE Net Horsepower	230 @ 3800 RPM
SAE Net Torque (lb.-ft.)	360 @ 2800 RPM
Compression Ratio	7.9 to 1

6.2 LITER (379 CU. IN.) V8 DIESEL ENGINE

- Increased horsepower —145 net HP for 1985.
- New integral fuel/water separator.
- Four-cycle design.
- Proven Ricardo Comet precombustion chamber for high efficiency, reduced noise and effective emissions control.

- 17-bolt head design for efficient gasket retention (locates 5 head bolts around each cylinder bore).
- 4-bolt main bearing caps help provide rigid support for the crankshaft.
- 5 main bearings.
- Available on 125,"- 137"- and 158.5"- wheel-base models.
- Nodular iron crankshaft with external torsional damper for reduced vibration.
- Forged steel camshaft durability.
- Roller cam followers are incorporated with the hydraulic valve lifters for reduced wear.
- Tough cast-iron alloy cylinder block.
- Cast-aluminum alloy pistons with three rings.
- Forged, heat-treated steel connecting rods.
- Cylinder heads with swirl-design combustion prechamber, cast-iron construction and hardened valve seats.

- Silicon steel intake valves.
- Exhaust valves with stellite facings and positive valve rotators.
- Polywrap air cleaner.
- Camshaft-driven mechanical fuel injection pump with high-pressure steel tubing fuel lines.
- Seven-quart oil sump.
- Engine block heater to aid cold-weather starting.

Engine Specifications	
Type	V8 OHV
Displacement	6.2L (379 Cu. in.)
Bore and Stroke	3.98 x 3.82 in.
SAE Net Horsepower: LL4	151 @ 3800 RPM
SAE Net Torque (lb.-ft.): LL4	248 @ 2600 RPM*
Compression Ratio	21.5 to 1

*Engine with Heavy-Duty Emissions (w/GVWR over 8500 lb.)

A WORD ABOUT ENGINES

Chevrolet Trucks are equipped with GM-built engines produced by various divisions. Information is available at the dealership concerning complete details about engine sources and availability.

CHASSIS VALUE FEATURES

TRANSMISSIONS

- Heavy-duty 3-speed automatic transmission for convenience and smoothness.
- Heavy-duty transmission oil cooler standard. Integral with radiator.

STEERING

- Standard integral power steering provides easy steering effort.
- Comfortilt steering wheel adjusts to six positions. Standard.

FRONT SUSPENSION

- Rugged girder-beam independent front suspension with air-assisted coil springs. Wheels step over rough spots individually to help smooth the ride.
- Front stabilizer bar standard.

REAR SUSPENSION

- Heavy-duty two-stage rear leaf springs automatically adapt to changes in load.
- Rear stabilizer bar standard.
- Dual rear wheels on all models.

BRAKES

- Self-adjusting power front disc/rear drum brakes standard on 125,"- 137,"- and 158.8"-wheelbase models.
- Power-assisted 4-wheel disc brakes standard on 178"-wheelbase models. Required on 158.8"-wheelbase models with a 14,500-lb. GVW Rating.

ELECTRICAL

- Heavy-duty Delco Freedom II battery. (Dual batteries with diesel engine.)
- 66-amp Delcotron generator with integral voltage regulator.

OTHER FEATURES

- Steel-belted radial ply tires standard on all models for long life and improved handling.
- Aluminized dual exhaust system on all models for corrosion protection.
- 40-gallon fuel tank standard.

MOTOR HOME CHASSIS

STANDARD SPECIFICATIONS

DIESEL

(See Gray Tab Section for Specification Details)

Model [▲]	P30832, P31132, P31432
Engine Air Filter Oil Filter Oil Cooler Exhaust System Emission Control Systems	6.2 Liter 379 Cu. In. V8 Diesel Poly-wrapped Oiled-paper Element Throwaway Type Standard Dual; Aluminized See Engine & Cooling Section for specific model applications
Suspension, Front Type Capacity Springs @ Ground Shock Absorbers Stabilizer Bar	Independent Coil Springs with Auxiliary Air Springs 4300 lb. 2500 lb. ea. 35mm dia. 1.25" dia.
Suspension, Rear Axle Capacity Axle Ratio Springs @ Ground Shock Absorbers Stabilizer Bar	Salisbury Axle, Hypoid Drive; Two-stage Multi-leaf Springs 7900 lb. 4.10 3100 lb. ea. 32mm dia. 1.75" dia.
Brakes Front Rear Booster Parking	Hydraulic; Self-adjusting Disc; 12.5" Rotor Drum; 13" x 3.5" Hydraulic Power Cable to Rear Wheels
Electrical Battery - Freedom Type - Reserve Capacity Delcotron Generator Engine Block Heater	12 Volt; Negative Ground Two; 550 CCA♦ ea. @ 0°F. 115 min. ea. @ 80°F. 66 amp. 600 watts, 120 volts
Frame Section Modulus	Carbon Steel; 36-39,000 psi 125", 137" WB-5.26 158.5" WB-6.12
Fuel Tank (nominal capacity) Permanent Temporary	40 gal. 5 qt.
Steering Gear Type Steering Wheel	Integral Power Comfortilt
Transmission Shift Location Oil Cooler	3-Speed Automatic Steering Column Standard; Integral with Radiator
Tires Front Rear	Tubeless (2) LT215/85R16D (8PR) (4) LT215/85R16C (6PR) (Dual)
Wheels	(6) 16" x 6"

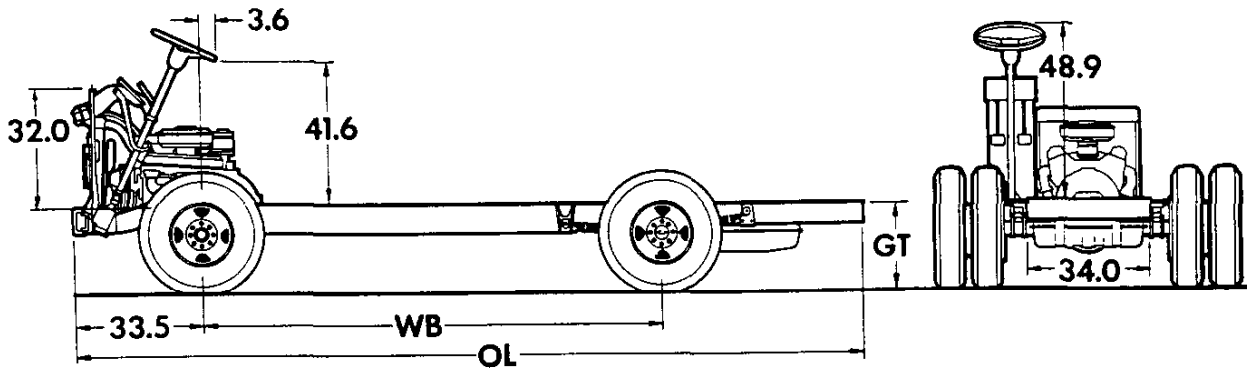
▲Note: Model P31832 not available with diesel engine

♦CCA-Cold Cranking Amps

GASOLINE

MOTOR HOME CHASSIS

Body Ordering Code—ZW9



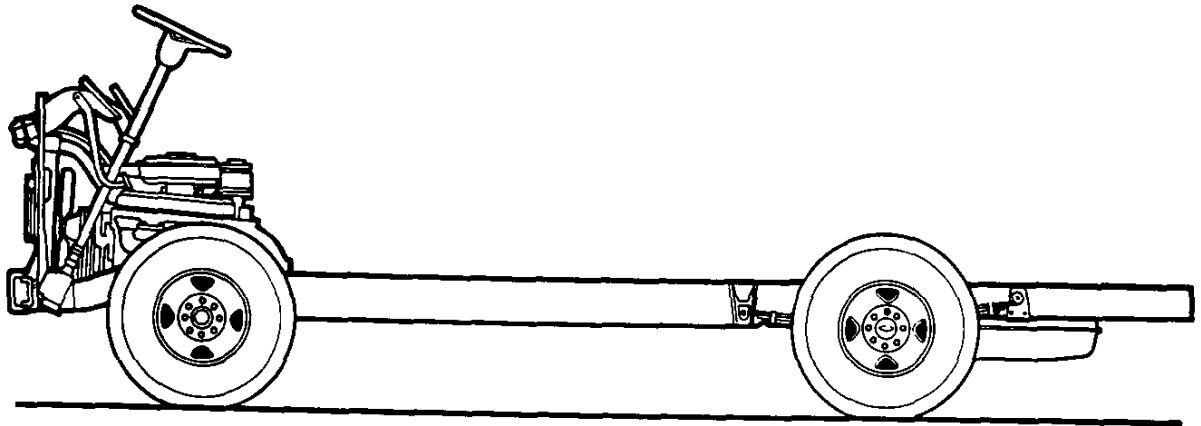
Model	Engine No. Cyl.	Body Length (ft)	Dimensions (in)★			Curb Weights (lb)†			Ground Clearance (in)★	
			WB	OL	GT	Front	Rear	Total	Front	Rear
P30832	8	18-20	125	206.3	27.9	2278	1623	3901	10.2	7.9
P31132	8	21-23	137	234.3	27.9	2284	1659	3943	10.2	7.9
P31432	8	24-26	158.5	259.4	27.9	2352	1745	4097	10.2	7.9
P31832	8	26-28	178	317.3	30.6	2442	2090	4532	12.1	9.7

★Dimensions with standard equipment, unloaded.

†Total Curb Weight may vary as much as ± 50 lbs. to allow for production build variation.

MOTOR HOME CHASSIS

MOTOR HOME CHASSIS MODEL SELECTOR



SERIES	MODEL NUMBER				BODY ORDERING CODE	
	125" WB	137" WB	158.5" WB	178" WB	GASOLINE MODELS	DIESEL MODELS
P30/3500	P30832	P31132	P31432	*P31832	ZW9	ZW9/B3J

*178" WB P31832 model not available with diesel engine.

GASOLINE

MOTOR HOME CHASSIS

STANDARD SPECIFICATIONS

(See Gray Tab Section for Specification Details)

Model	P30832, P31132, P31432	P31832
Engine	7.4 Liter 454 4-bbl. V8	
Air Filter	Polyurethane-wrapped Oiled-paper	
Oil Filter	Throwaway Type	
Oil Cooler	Standard	
Exhaust System	Dual; Aluminized	
Emission Control Systems	See Engine & Cooling Section for specific model applications	
Suspension, Front	Independent	
Type	Coil Springs with Auxiliary Air Springs	
Capacity	4300 lb.	5000 lb.
Springs @ Ground	2500 lb. ea.	
Shock Absorbers	35mm dia.	
Stabilizer Bar	1.25" dia.	
Suspension, Rear	Salisbury Axle, Hypoid Drive; Two-stage Multi-leaf Springs	
Axle Capacity	7900 lb.	10,000 lb.
Axle Ratio	4.10	4.56
Springs @ Ground	3100 lb. ea.	5000 lb. ea.
Shock Absorbers	32mm dia.	35mm dia.
Stabilizer Bar	1.75" dia.	1.75" dia.
Brakes	Hydraulic; Self-adjusting	
Front	Disc; 12.5" Rotor	Disc; 14.25" Rotor
Rear	Drum; 13" x 3.5"	Disc; 13.75" Rotor
Booster	Hydraulic Power	Hydraulic Power
Parking	Cable to Rear Wheels	Prop Shaft
Electrical	12 Volt; Negative Ground	
Battery - Freedom Type	515 CCA♦ @ 0°F.	
- Reserve Capacity	115 min. @ 80°F.	
Delcotron Generator	66 amp.	
Frame	Carbon Steel; 36,39,000 psi	
Section Modulus	125", 137" WB-5.26	6.12
	158.5" WB-6.12	
Fuel Tank (nominal capacity)	40 gal.	
Permanent	5 qt.	
Temporary		
Steering Gear Type	Integral Power	
Steering Wheel	Comfortilt	
Transmission	3-Speed Automatic	
Shift Location	Steering Column	
Oil Cooler	Standard; Integral with Radiator	
Tires	Tubeless	
Front	(2) LT215/85R16D (8PR)	(2) 8-19.5D (8PR)
Rear	(4) LT215/85R16C (6PR) (Dual)	(4) 8-19.5D (8PR) (Dual)
Wheels	(6) 16" x 6"	(6) 19.5" x 6.0"

♦CCA-Cold Cranking Amps

MOTOR HOME CHASSIS

CHASSIS FEATURES

MOTOR HOME CHASSIS

EXTERIOR FEATURES—STANDARD MODELS

The Standard models include the following items as standard equipment.

- **Color:** Chassis and components painted black
- **Emblem:** Bright Chevrolet/GMC letters (furnished loose in parts box)
- **Front Frame Member:** Heavy channel reinforcement; painted black
- **Horn:** Single; low note; electric
- **Instruments:**
 - Gages: Speedometer, odometer, voltmeter, oil pressure, engine temperature and fuel
 - Switches: Main, for control of exterior lights and instrument lights; headlight beam (foot); ignition, direction signal with lane change position; and hazard warning
 - Warning lamps: service-parking brake, direction/hazard signal and high beam
 - NOTE: Ignition, direction signal, and hazard warning switches are installed; all other gages, switches and warning lamps are furnished loose in parts box*
- **Lights:** (Furnished loose in parts box)
 - Combination parking/direction/hazard
 - Headlamps: Two; Power Beam
- **Steering Wheel:** Six-position Comfortilt type; 16" diameter; 2-spoke, black soft vinyl
- **Tilt Steering Column:** Lever adjusting control (Six-position)
- **Wheels:** Painted white

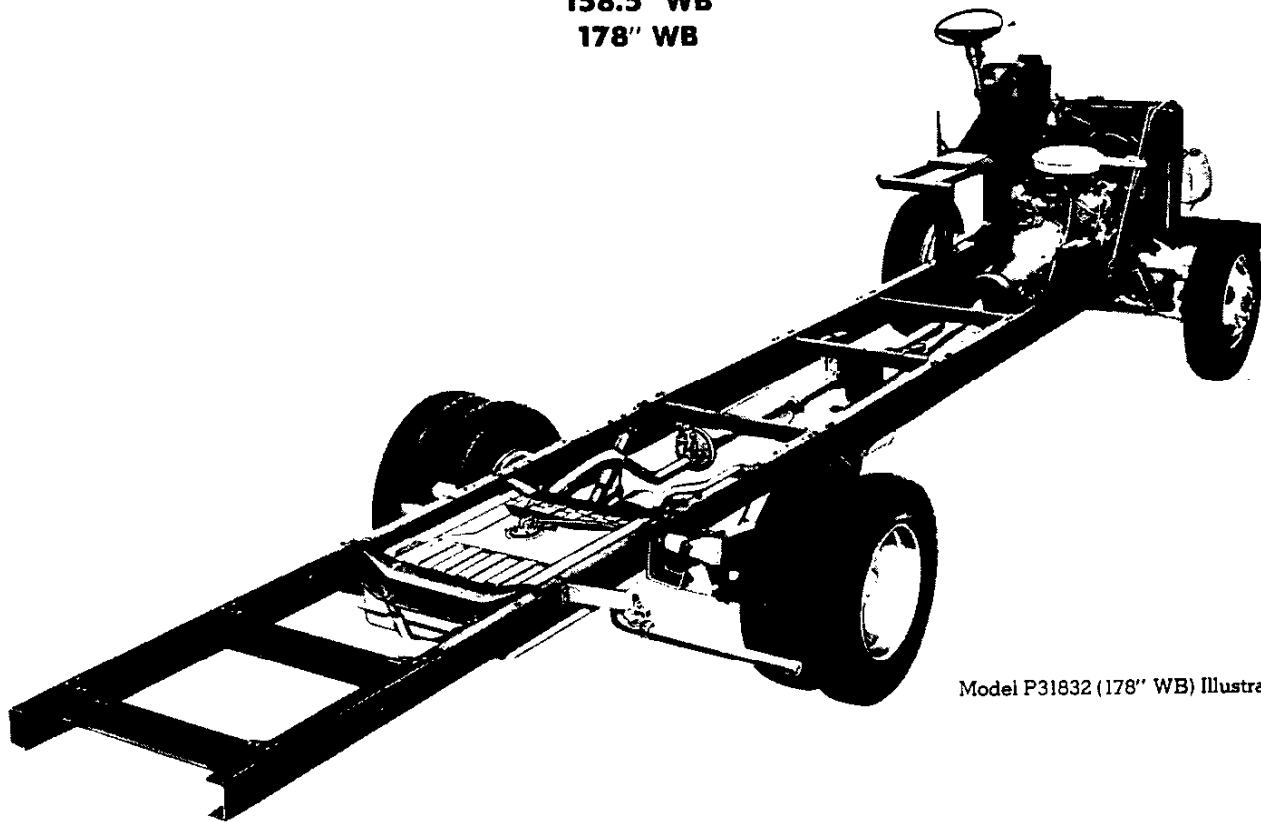
MOTOR HOME CHASSIS

125" WB

137" WB

158.5" WB

178" WB

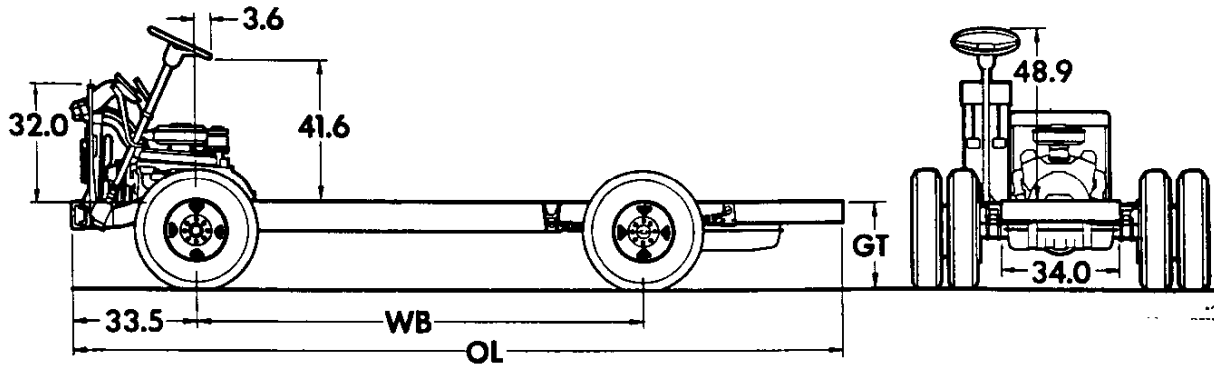


Model P31832 (178" WB) Illustrated

MOTOR HOME CHASSIS

DIESEL

Body Ordering Code—ZW9/B3J



Model	Engine No. Cyl.	Body Length (ft)	Dimensions (in)★			Curb Weights (lb)†			Ground Clearance (in)★	
			WB	OL	GT	Front	Rear	Total	Front	Rear
P30832	8	18-20	125	206.3	27.9	2339	1680	4019	10.2	7.9
P31132	8	21-23	137	234.3	27.9	2341	1719	4060	10.2	7.9
P31432	8	24-26	158.5	259.4	27.9	2405	1810	4215	10.2	7.9

★Dimensions with standard equipment, unloaded.

†Total Curb Weight may vary as much as ± 50 lbs. to allow for production build variation.

MOTOR HOME CHASSIS

POWER TEAMS

ALL STATES

POWER TEAMS (MUST ORDER ENGINE, TRANSMISSION AND REAR AXLE)
 (Consult GVWR Selector and Tire Chart to insure tire capacity and availability)

W/NA5 STANDARD (Satisfies High Altitude Emission Requirements)
W/NA6 HIGH ALTITUDE OR YF5 CALIFORNIA EMISSIONS

ENGINE	TRANSMISSION	AXLES				GVWR
		*4.10	4.56	4.88	5.13	
P30832-31132-31432 W/O 7.50-16/D (PE) Tires						
#LE8 V8 7.4 Liter (454-4BBL)	MX1	*GQ1	—	—	—	10500
	MX1	*GQ1	—	—	—	11800
	MX1	—	*HF7	*HF8	—	%14500
■ LL4 Diesel 6.2 Liter V8 (379 Cu. In.)(Reqs B3J)	MX1	*GQ1	—	—	—	10500
	MX1	*GQ1	—	—	—	11800
	MX1	—	—	—	*HC7	%14500
P30832-31132-31432 W/7.50-16/D (PE) Tires						
#LE8 V8 7.4 Liter (454-4BBL)	MX1	*GQ1	HC4	—	—	10500
	MX1	*GQ1	HC4	—	—	11000
	MX1	*GQ1	HC4	—	—	11800
	MX1	*GQ1	HC4	—	—	12300
■ LL4 Diesel 6.2 Liter V8 (379 Cu. In.)(Reqs B3J)	MX1	—	GQ1	—	—	10500
	MX1	—	GQ1	—	—	11000
	MX1	—	GQ1	—	—	11800
	MX1	—	GQ1	—	—	12300
P31832						
#LE8 V8 7.4 Liter (454-4BBL)	MX1	—	GQ1	HF8	—	14500

*N/A G80 Locking Differential

%CP31432 only

#N/A NA6 High Altitude Emissions. With NA5 Emissions
 Satisfies High Altitude Requirements

■ High Altitude Emission Equipment (FOR EXHAUST SMOKE REDUCTION PURPOSES
 AT HIGH ALTITUDE; NOT REQUIRED TO SATISFY HIGH ALTITUDE EMISSION REGULATIONS).

MOTOR HOME CHASSIS

GVWR SELECTOR—ALL STATES

GVW Rating (lbs)	+GAWR (lbs)		Minimum Equipment Required for GVW Rating		
			Tire Capacity (lbs ea)		Chassis Equipment
	Front	Rear	Front	Rear	
125", 137", 158.5" WB Models					
10,500	4300	6200	2315	1764	Standard
11,000	4880	6200	2440	2140	HD Front Suspension (F66)
11,800	4300	7500	2315	2105	HD Rear Springs (G50)
12,300	4880	7500	2440	2140	HD Front Suspension (F66); HD Rear Springs (G50)
12,300	5000	7500	2440	2140	I-Beam Front Axle (FS3); HD Rear Springs (G50)
●14,500	5000	9840	2800	2460	10,000-lb Rear Axle (HC7/HF7/HF8)
178" WB Model					
14,500	5000	9840	2800	2460	Standard

+GAWR's shown are the maximum for each axle with equipment listed. Other GAWR's are available, and they are determined as the minimum capacity of either axle, springs or tires.

●Available on 158.5" WB model only.

FRONT AND REAR TIRE AVAILABILITY CHART—ALL STATES

Spare tire to match either front or rear tires available at extra cost

Description	Capacity (lbs each)		Highway		Spare
	Front	Dual Rear	Front	Dual Rear	
125", 137", 158.5" WB Models					
TUBELESS					
LT215/85R16D Steel Belted Radial	2315	2105	XYK	YYK	ZYK
LT215/85R16C Steel Belted Radial	—	1764	—	YYJ	ZYK
158.5", 178" WB Models					
TUBELESS					
*8-19.5D Polyester	2800	2460	XSN	YSN	ZSN
125", 137", 158.5" WB Models					
TUBE-TYPE					
7.50-16D Polyester	2440	2140	XPE	YPE	ZPE

*Requires 10,000 lb. rear axle (HC7, HF7 or HF8) on 158.5" WB model.

ENGINE RATINGS

ALL STATES EXCEPT CALIFORNIA

SAE Net Ratings @ 85°F	*7.4 Liter 454 4-bbl V8	*6.2 Liter 379 V8 Diesel
Net Horsepower	230 @ 3800 rpm	148 @ 3600 rpm
Net Torque, lb-ft	360 @ 2800 rpm	246 @ 2000 rpm

CALIFORNIA ONLY

SAE Net Ratings @ 85°F	*7.4 Liter 454 4-bbl V8	*6.2 Liter 379 V8 Diesel
Net Horsepower	230 @ 3800 rpm	148 @ 3600 rpm
Net Torque, lb-ft	360 @ 2800 rpm	246 @ 2000 rpm

*Heavy Duty Emissions

MOTOR HOME CHASSIS

THE FOLLOWING EQUIPMENT IS STANDARD ON DIESEL ENGINE MODELS (ALSO SEE STANDARD SPECIFICATIONS PAGES)

- Low Coolant Sensor
- Poly-wrapped Paper Element Air Cleaner
- Power Steering
- Engine Block Heater
- Water/fuel separator unit which incorporates a water sensor and sending unit, a fuel filter, a fuel heater and water drain capability
- Dual 550 Cold Cranking Amp/115 min. Reserve Capacity Batteries
- HD Radiator
- Dual Exhaust System
- Warning Lights: Glow Plugs, Water-in-fuel (or fuel filter), and Low Coolant
- Diesel Engine Identification:
 - Nameplates
 - "Diesel Fuel Only" filler cap and label

**MOTOR HOME CHASSIS
(10,500-lb - 14,500-lb GVW)
1985 VEHICLES WITH STANDARD EQUIPMENT**

Description	Model Number	Body Code	Wheel Base	Factory D&H(a)	List Price	Mfr's Suggested Retail Price★	Group Number
◆ 8 Cylinder 7.4 Liter (454 Cu. In.) 4 BBL V8 Gasoline Engine-Engine Ordering Code LE8							
Motor Home Chassis	CP/TP30832	ZW9	125"				
Motor Home Chassis	CP/TP31132	ZW9	137"				
Motor Home Chassis	CP/TP31432	ZW9	158.5"				
Motor Home Chassis	CP/TP31832	ZW9	178"				
◆ 8-Cylinder 6.2 Liter (379 Cu. In.) H.D. Diesel V8 Engine-Engine Ordering Code LL4							
Motor Home Chassis	CP/TP30832	ZW9 & B3J	125"				
Motor Home Chassis	CP/TP31132	ZW9 & B3J	137"				
Motor Home Chassis	CP/TP31432	ZW9 & B3J	158.5"				

★ Manufacturer's Suggested Retail Prices do not include applicable destination charges, state and local taxes, license fees, optional equipment or special items or services.

◆ Refer to Power Team Chart for California Emission Certification Requirements.

OPTIONS WHEN INSTALLED BY GENERAL MOTORS

Description	Option Number	Factory D&H(a)	List Price	Mfr's Suggested Retail Price◇
Emission Systems: Dealer Note - One of the following emission options must be specified.				
<i>California Emission Requirements:</i> Includes all testing, equipment and/or certification necessary for registration in the State of California. See Power Teams Chart for availability and complete specifications.				
Without B3J Diesel Equipment	YF5			
With B3J Diesel Equipment	YF5			
<i>High Altitude Emission Equipment.</i> Available only when B3J Diesel Equipment is specified. Not available when YF5 California or NA5 Standard Emissions is specified.	NA6			
<i>Standard Emissions Equipment.</i> Not available when YF5 California or NA6 High Altitude Emissions is specified	NA5			
Engines: (See Power Teams Chart for availability and complete specifications)				
Gasoline.				
7.4 Liter (454 Cu. In.) 4 BBL V8	LE8			
Diesel				
6.2 Liter (379 Cu. In.) H.D. V8 Diesel. Available only when B3J Diesel Equipment is specified. Not available on P31832	LL4			
Transmission: 3-Speed Automatic	MX1			
Axle, Front: I-Beam, 5000-lb Capacity. Not available when LT215 tires or F66 H.D. Positrim Suspension is specified. P31432 available only when HC7, HF7 or HF8 Rear Axle is specified Includes front leaf springs with tip liners and special shock absorbers				
	FS3			

MOTOR HOME CHASSIS

OPTIONS WHEN INSTALLED BY GENERAL MOTORS

Description	Option Number	Factory D&H(s)	List Price	Mfr's Suggested Retail Price◇
Axles, Rear: (See Power Teams Chart for option number selection, availability and complete specifications)				
<i>Optional Ratio.</i>				
Capacity 10,000-lb. Heavy Duty. P31432 available only when SN 8-19.5 Tires are specified. Not available on P30832 or P31132. Includes H.D. power 4-wheel disc brakes, 10,000-lb capacity rear springs and propeller shaft mounted parking brake.				
4.56 Ratio. Standard on 178" wheelbase. Not available when B3J Diesel Equipment is specified				
Without FS3 5000-lb I-Beam Capacity Suspension. Includes F66 5000-lb Capacity Positrim Suspension	HF7			
With FS3 5000-lb I-Beam Capacity Suspension	HF7			
4.88 Ratio. Not available when B3J Diesel Equipment is specified.				
Without FS3 5000-lb I-Beam Capacity Suspension. Includes F66 5000-lb Capacity Positrim Suspension				
158.5" wheelbase only	HF8			
178" wheelbase only	HF8			
With FS3 5000-lb I-Beam Capacity Suspension				
158.5" Wheelbase only	HF8			
178" Wheelbase only	HF8			
5.13 Ratio. P31432 only. Available only when B3J Diesel Equipment is specified.				
Without FS3 5000-lb I-Beam Capacity Suspension. Includes F66 5000-lb Capacity Positrim Suspension	HC7			
With FS3 5000-lb I-Beam Capacity Suspension	HC7			
Locking Differential. Not available on 178" wheelbase	G80			
Tires:				
TUBELESS P30832, P31132 or P31432 only.				
<i>All rim sizes are 6.00"</i>				
LT215/85R16-C Steel Belted Highway Radial Blackwall				
(Maximum Capacity Each. Dual Rear 1764-lbs)				
Rear. (Standard)	YYJ			
LT215/85R16-D Steel Belted Highway Radial Blackwall				
(Maximum Capacity Each. Front 2315-lbs) (Dual Rear 2105-lbs)				
Front. (Standard)	XYK			
Rear	YYK			
Spare	ZYK			
TUBELESS. P31432 or P31832 only. All 8-19.5 tires on P31432 available only when HC7, HF7 or HF8 10,000-lb Rear Axle is specified.				
8-19.5/D Highway Polyester Blackwall				
(Maximum Capacity Each. Front 2800-lbs) (Dual Rear 2460-lbs)				
Front				
P31432 only	XSN			
P31832 only. (Standard)	XSN			
Rear				
P31432 only	YSN			
P31832 only. (Standard)	YSN			
Spare	ZSN			
TUBE-TYPE. P30832, P31132 or P31432.				
7.50-16/D Highway Polyester Blackwall				
(Maximum Capacity Each. Front 2440-lbs) (Dual Rear 2140-lbs)				
Front	XPE			
Rear	YPE			
Spare	ZPE			

OTHER OPTIONS

Heater, Engine Block: 600 watts, 120 volts. Not available when B3J Diesel Equipment is specified	K05
Preliminary Price Information	B3W
Springs: Rear, Heavy-Duty. Capacity 3750-lb each. Available only when YK LT215/85R16D or PE 7.50-16 Rear Tires are specified. Not available on 178" wheelbase or when HC7, HF7 or HF8 10,000-lb Rear Axle is specified	G50
Suspension: Positrim. Front, Heavy-Duty. Available only when PE 7.50-16 Tires are specified. Not available on 178" wheelbase or when HC7, HF7 or HF8 10,000-lb Rear Axle or FS3 5000-lb I-Beam Suspension is specified.	F66
Wheel, Spare: 19.5" x 6.00". P31432 or P31832 only. Available only when SN 8-19.5/D Tires are specified	Q34