



C H E V Y T R U C K S 1 9 8 5



WHAT'S NEW FOR '85



EXTERIOR

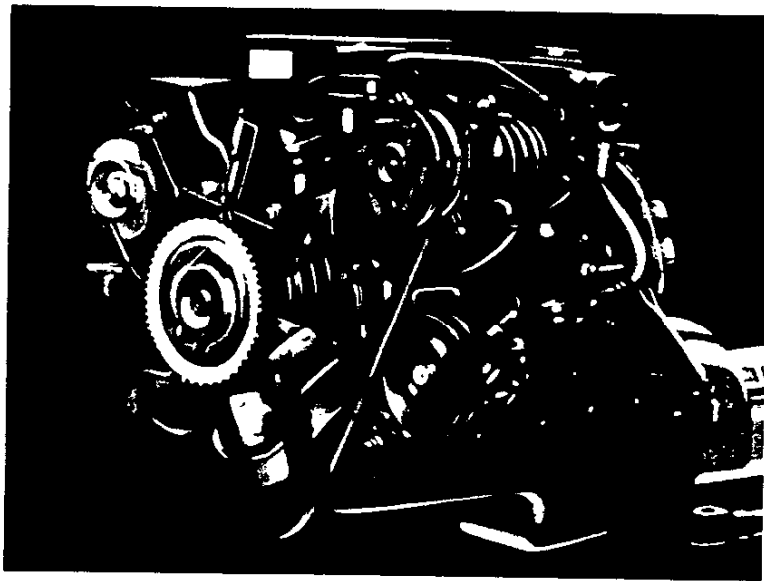
- New fender-mounted series nameplate.
- Improved retention on standard 4x4 hub center cover.

BODY

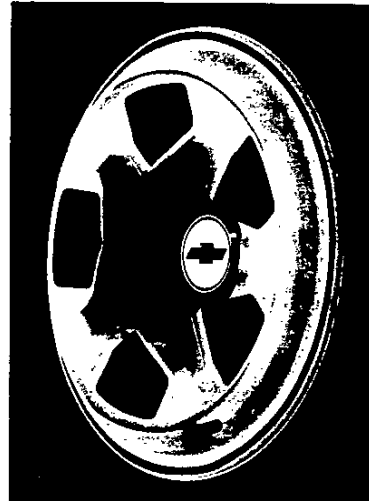
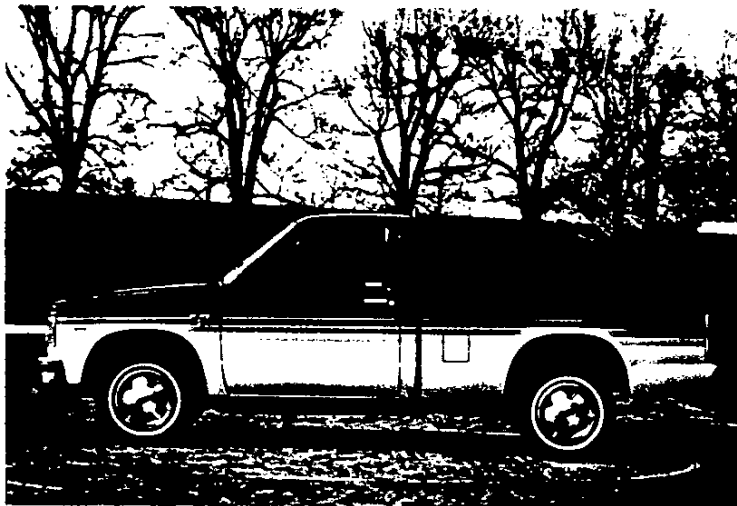
- Body improvements include an important increase in corrosion protection. Front fender skirts are now two-sided galvanized.
- New fuse block for improved serviceability.

CHASSIS AND POWERTRAIN

- New 2.5 Liter Electronic Fuel Injection (EFI) gas engine incorporates the latest engine technology. Features include computer-controlled Electronic Fuel Injection system, swirl inlet ports, roller hydraulic valve lifters and special pistons for truck use. Net horsepower: 92 @ 4,400 RPM. Net torque (lb.-ft.): 134 @ 2,800 RPM.



- New rear brake adjusters which automatically adjust when the truck is moved in reverse without the brakes being applied.
- Steel-belted P195/75R-15 blackwall tires with all-season tread are standard on 4x4 models. The tread provides improved traction, reduces noise level and decreases rolling resistance.
- A new upshift light is added to the instrument panel to indicate when the manual transmission should be shifted to help maintain road speed and good fuel economy.



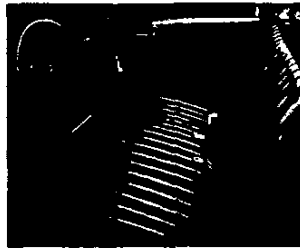
OPTIONS

- New Custom Two-Tone paint. Provides secondary paint placement from the upper body belt styling line to the bottom of the truck, including the hood and tailgate.
- A new revised "Sunshine" decal package, for regular-cab and extended-cab pickups available with solid paint or Custom Two-Tone.
- New styled wheels for 2WD pickup features a new paint scheme.
- The Sport trim changes to include black chrome finish on grille and headlamp bezels, black finish tail-lamp bezels, black key cylinder locks and door handles.
- New Custom Vinyl and new Custom Cloth seat trim fabrics.
- Side door trim panels will include new Custom Cloth fabric on regular-cab models with Tahoe trim.
- The 1985 radio lineup will utilize more of the Electronically Tuned Receiver (ETR™) feature.
- The intermittent windshield wiper system control is now included in Smart Switch on the steering column.
- Usage of all-season tread design is further expanded to include many optional tires on 4x4 models.
- New precleaner air cleaner is available for use with the 2.8 Liter V6 engine only.
- Four-speed automatic transmission with overdrive is now available with the 2.5 Liter L4 gas engine on all 4x4 models.

REGULAR CAB STANDARD VALUE FEATURES

ALL THIS AT NO EXTRA COST:

- New 2.5 Liter Electronic Fuel Injection (EFI) engine for improved performance.
- Fuel tank is mounted inside the left-hand frame rail for protection from side impact.
- Upshift light on instrument panel to indicate best time to shift the manual transmission for best fuel economy.
- Hydraulic self-adjusting clutch on all manual transmissions for smooth, easy operation.
- Hemmed tailgate eliminates sharp, exposed edges and helps resist corrosion.
- Door hinges welded to door frames for control of gap tolerance.
- Ribbed pickup box floor for strength.
- Welded pickup box for improved rigidity.
- All-season steel-belted radial tires for improved traction and tread life.
- Double-wall construction uses both an inner and outer wall in the hood, doors, front fenders, cargo box side panels and tailgate. This provides strength. Dents on the inside don't show outside.
- Self-adjusting front disc brakes have audible wear sensors as an early warning of brake wear.



- Rear brake adjusters to eliminate periodic brake adjustments.
- Standard 13.2-gallon fuel tank. Optional 20-gallon tank available.
- Crankdown-type spare tire carrier for easy access under frame.
- Rear side marker lamps integral with tail lamps.
- Right- and left-hand mirrors with low-gloss black finish.
- Low-gloss black windshield and rear window moldings.
- Concealed drip molding helps keep the elements outside of the cab and provides a clean, uncluttered appearance.
- Wheels feature a five-lug, star-type bolt pattern.
- Fluidic windshield washer provides improved spray pattern and better cleaning.
- Bench seat with three seat belts.
- Folding, inertia-latch seat backrest permits easy access to space behind the seat.
- Seat-back angled 23° for chair-like comfort.
- Angled rear window reflects the glare of on-coming lights away from the inside rearview mirror.
- Curved track seat adjuster moves a full 6.6" to accommodate short or tall drivers.
- Full door trim panels and headliner for good appearance and improved acoustics.
- Ashtray, coat hook and inside day/night mirror for convenience.
- Inside hood release for theft protection to the engine compartment.
- Column-mounted Smart Switch controls turn signals, headlight beam and wiper/washer for driver's convenience.
- Color-keyed instrument panel.
- Left and right sunshades with sliding feature for more convenience.
- Sliding door lock levers help deter theft.
- Locking stowage box in instrument panel.
- New fuse block for improved serviceability.
- Extensive corrosion protection.

MAXI-CAB STANDARD VALUE FEATURES



ALL THIS AT NO EXTRA COST:

Like the Regular Cab, the S-10 Maxi-Cab offers many standard value features:

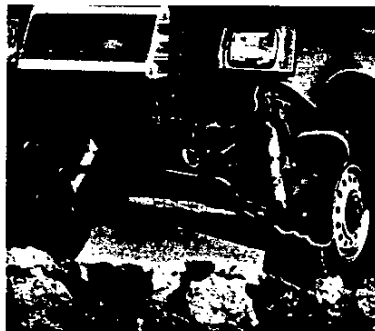
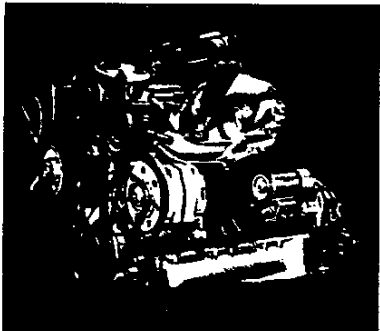
- Available in 2WD and 4WD models.
- 14.6" longer cab provides lots of extra room behind front seats.
- Extra-long 122.9" wheelbase to carry the larger cab and enhance the ride.
- Room for two additional passengers or protected cargo.
- Available fold-up facing jump seats with Custom Vinyl seat trim.
- Tinted glass all windows standard.
- Dome lamp standard.
- Front bucket seats standard on Tahoe and Sport models.
- Reclining front seat-back available with bucket seats.



- To reduce opportunities for corrosion and provide strength, the cab is constructed with one-piece quarter panels, one-piece roof panel and an inner and outer cab back panel.

- Bonded rear quarter glass.
- Full headliner with full foam and cloth covering.

ENGINE AND CHASSIS VALUE FEATURES



The new 2.5 Liter L4 gas engine incorporates the latest in high technology which results in a 10% increase in net horsepower and a 25% increase in net torque over the 2.0 Liter engine it replaces. Other advantages of the new engine and its computer-controlled Electronic Fuel Injection (EFI) system:

- It's simpler. It takes the complexity out of the engine compartment and places it in the Electronic Control Module (ECM).
- It's more responsive, especially during cold starts and warm-ups.
- It offers outstanding fuel economy.
- The simpler EFI system has proved to be easier to service. It eliminates the carburetor, choke, needle valve and float.

Other high-technology features include:

- Lightweight castings: head, block and crankshaft.
- Aluminum intake manifold reduces weight.

- Fabricated stainless steel exhaust manifold.
- Roller hydraulic valve lifters reduce friction.
- Low-tension oil rings reduce friction.
- High torque improves low engine speed operation.
- Swirl inlet ports for improved combustion efficiency.
- Shrouded inlet valve for increased swirl.
- Centralized, compound angle spark plug.
- 8.7 to 1 compression ratio.
- **2.8 Liter V6 engine** available on S-10 2WD and 4WD models for increased performance; horsepower increased to 115 HP.
- **2.2 Liter Diesel engine** available on S-10 2WD models for diesel economy.

FRAME ASSEMBLIES (2WD and 4WD)

- Full-frame construction.
- All-welded, except for riveted rear cross members.
- Hot-wax-coated for corrosion protection.
- Box-section front frame with channel-type rear side rails for strength.

2WD FRONT SUSPENSION

- Computer-selected front springs matched to the vehicle weight.
- Sport suspension package available.
- Independent front suspension with coil springs to help provide an impressively smooth ride.
- Control arms are rubber bushed for noise and shock damping.
- Ball joints equipped with visible wear indicators.
- Features long wheel travel to help absorb road bumps and jolts.
- Stabilizer bar is available and included with 1,500- and 1,625-lb. payload options.

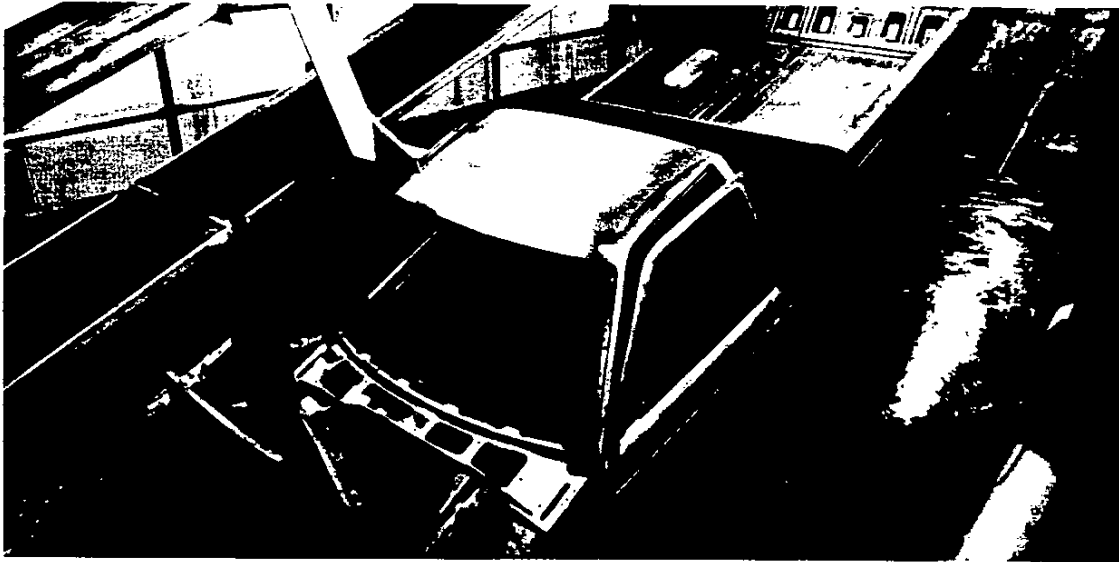
4WD FRONT SUSPENSION AND CHASSIS

- Independent front suspension with torsion bars.
- Standard stabilizer bar.
- Good ground clearance, step height and overall height.
- Insta-Trac 4-wheel-drive system features no-stop shifting from 2HI to 4HI and back.
- Vacuum diaphragm actuates front axle center disconnect for freewheeling. Automatically engages or disengages by moving transfer case shift lever.

TRAILERING

With the available V6 engine and Heavy-Duty Trailering Package, a 2WD S-10 tows up to 5,000 lbs. (4,000 lbs. for 4WD) including trailer and cargo.

ANTI-CORROSION VALUE FEATURES



Increased Corrosion Protection

- Zincrometal[®] galvanized steel, zinc-alloy coated steel and zinc-plated parts used in important areas, such as the cargo box.
- Two-sided galvanized steel is used for the cab floor, door frames, pickup box floor and side panels, inner front fenders and wheel housings.
- Zincrometal is used in the outer hood, doors, pickup box outer side panels and tailgate.
- Cathodic ELPO primer used on entire cab, cargo box and front end.
- Stone-resistant coating sprayed on lower body-side panels.
- Aluminized wax preservative sprayed on inner door body surfaces to resist corrosion from road salt.

Long-Lasting Finish

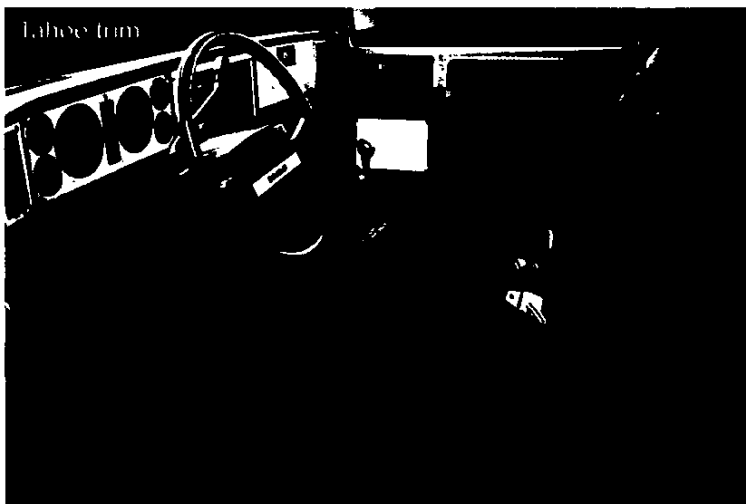
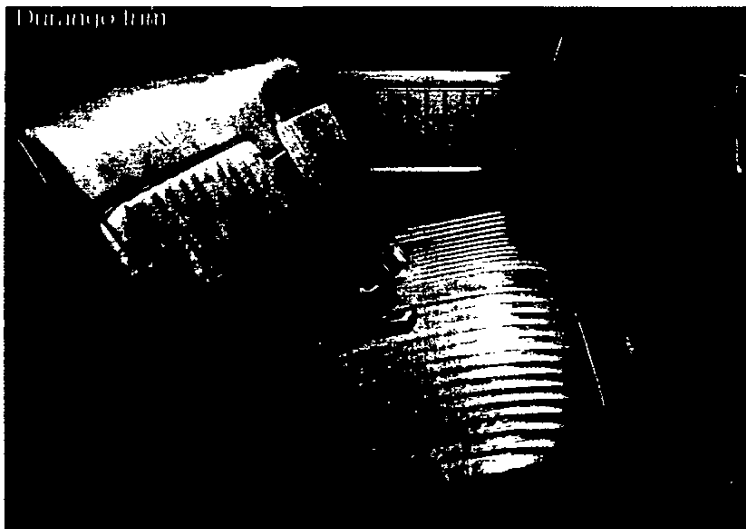
- Zinc-rich anti-corrosion primer sprayed on before final priming.
- Primer surfacer added for further sealing and prefinishing.
- High-solid solvent enamel top coat is baked on. Has roughly 50% higher ratio of solids to solvent than current enamel systems in U.S. auto/truck industry.
- Highest quality paint finish ever specified for a U.S.-assembled truck.
- Up to 5-layer-deep finish. That's 25% thicker than the typical U.S. truck.
- Factory paint systems were specially redesigned to meet design goals for the S-10 models.

First Truck of Any Size Built to Such High Standard of Quality

- Assembly process features the extensive use of solid-state automatic welding machines.

- Features "net build" quality. Front end, cab and cargo box are first welded into separate units, then joined. If these and other assemblies don't fit, they are not adjusted to fit, they are rejected.
- Many sheet metal components are restamped for precision.
- Advanced electronic quality control. Critical dimensions are electronically checked throughout the entire assembly process.
- Door hinges are welded to the door frame in a master control fixture for precision.
- Every S-10 model gets water-tested for leaks.
- Computer graphics used to design all electrical, air and hydraulic circuits for efficient, accurate engineering.
- Designed, engineered and assembled in America.

DURANGO/TAHOE/SPORT TRIM OPTION



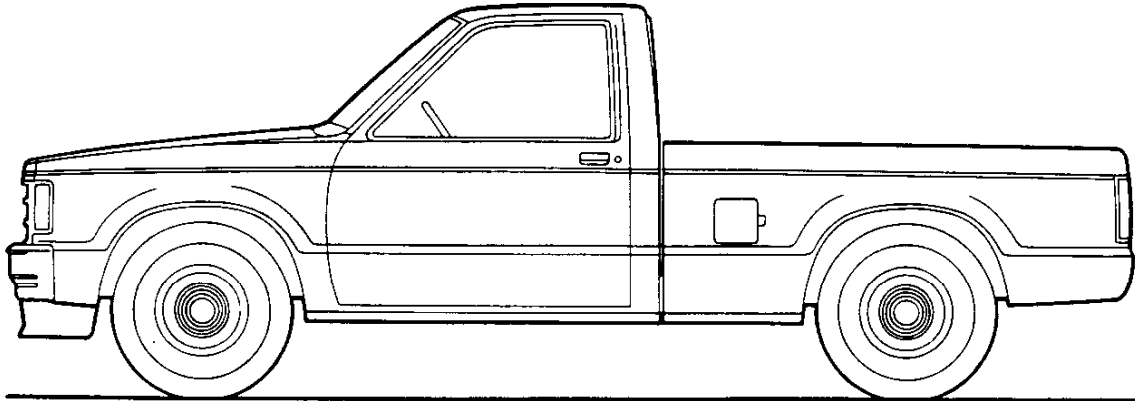
The Durango option is available in Custom Vinyl or Custom Cloth bench seats, Custom Vinyl high-back bucket seats, and Special Custom Cloth high-back bucket seats (Maxi-Cab only).

The Tahoe option is available in Custom Vinyl high-back bucket seats, Special Cloth high-back bucket seats and High Country Sheepskin high-back bucket seats for all models. Custom Vinyl and Custom Cloth bench seats are available for the regular cab only.

The Sport option is available in Sport Cloth high-back bucket seats and High Country Sheepskin high-back bucket seats. See pages D, E and F for complete details on other trim features of the Durango, Tahoe and Sport options.

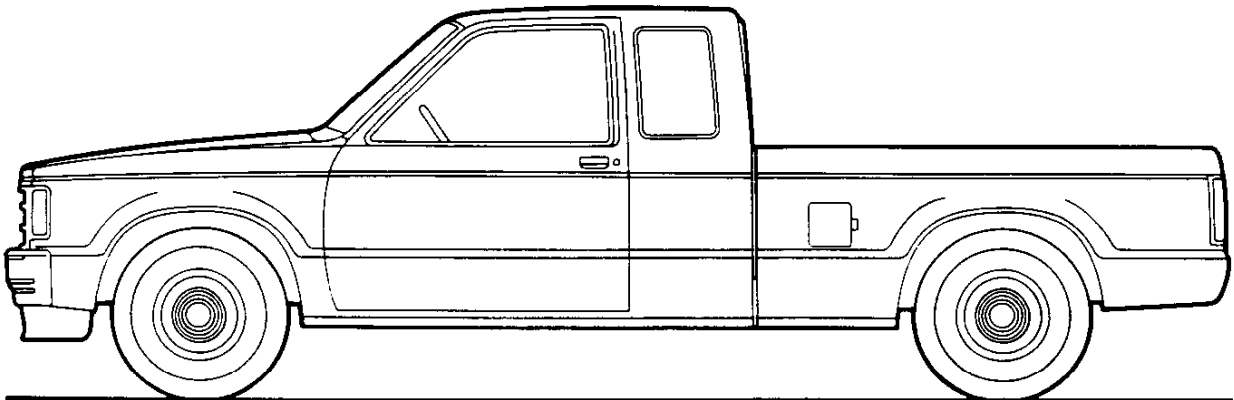
S-10/15 PICKUP 2- & 4-WHEEL DRIVE

MODEL SELECTOR



REGULAR CAB

SERIES	MODEL NUMBER		BODY ORDERING CODE	
	6' BOX	7'5" BOX	GASOLINE MODELS	DIESEL MODELS
S-10/15 (4x2)	S10603	S10803	E63	E63/B3J
S-10/15 (4x4)	T10603	T10803	E63	—



EXTENDED CAB

SERIES	MODEL NUMBER	BODY ORDERING CODE	
	6' BOX	GASOLINE MODELS	DIESEL MODELS
S-10/15 (4x2)	S10653	E63	E63/B3J
S-10/15 (4x4)	T10653	E63	—

GASOLINE

S-10/15 PICKUP—2-WHEEL DRIVE

REGULAR CAB AND EXTENDED CAB STANDARD SPECIFICATIONS

(See Gray Tab Section for Specification Details)

Series	S-10/15 4X2
Engine	
Base Equip.	1.9 Liter (119 Cu. In.) 2-bbl. L4■
Clutch	8.46" 57.7 sq. in.
Air Filter	Oiled-paper Element
Oil Filter	Throwaway Type
Exhaust System	Single; Aluminized
Emission Control Systems	See Engine & Cooling Section for specific model applications
Suspension, Front	Independent
Type	Coil Springs
Axle Capacity	2500 lb.
Springs @ Ground	1250 lb. ea.
Shock Absorbers	25mm dia.
Suspension, Rear	Salisbury Axle; Hypoid Drive; Two-stage Multi-leaf Springs
Type	Leaf Springs
Axle Capacity	2600 lb.
Axle Ratio	3.42
Springs @ Ground	1150 lb. ea.
Shock Absorbers	25mm dia.
Brakes	Hydraulic; Self-adjusting
Front	Disc; 10.51" Rotor
Rear	Drum; 9.49" x 2"
Booster (Extended Cab only)	Single Diaphragm
Parking	Cable to Rear Wheels
Electrical	12 Volt; Negative Ground
Battery—Freedom Type	▲315 CCA ♦ @ 0°F.
— Reserve Capacity	75 min. @ 80°F.
Delcotron Generator	56 amp.
Frame	Carbon Steel; 36,-39,000 psi
Section Modulus—108.3" WB	1.94
—117.9" 122.9" WB	2.19
Fuel Tank (nominal capacity)	13.2 gal.
Steering Gear Type	Manual; Recirculating Ball Gear
Linkage	Parallelogram
Transmission	Fully Synchronized 4-Speed Manual
Shift Location	Floor
Tires	(4) P195/75R14 All Seasons Steel Belted Radial
Spare	(1) T135/80D-15
Wheels	(4) Disc, 14" x 6"
Spare	(1) Disc, 15" x 4"

♦ CCA-Cold Cranking Amps

■ Model S10803 regular cab and S10653 extended cab use 2.5 Liter (151 cu. in.) EFI L4; See Power Team Chart.

▲ 405 CCA on extended cab models

S-10/15 PICKUP—2-WHEEL DRIVE

DIESEL

REGULAR CAB AND EXTENDED CAB STANDARD SPECIFICATIONS

(See Gray Tab Section for Specification Details)

Series	S-10/15 4X2
Engine	
Base Equip.	2.2 Liter (137 Cu. In.) L4 Diesel
Clutch	8.47", 57.7 sq. in.
Air Filter	Oiled-paper Element
Oil Filter	Throwaway Type
Exhaust System	Single; Aluminized
Emission Control Systems	See Engine & Cooling Section for specific model applications
Suspension, Front	Independent
Type	Coil Springs
Axle Capacity	2500 lb.
Springs @ Ground	1250 lb. ea.
Shock Absorbers	25mm dia.
Suspension, Rear	Salisbury Axle; Hypoid Drive; Two-stage Multi-leaf Springs
Type	Leaf Springs
Axle Capacity	2600 lb.
Axle Ratio	3.42
Springs @ Ground	1150 lb. ea.
Shock Absorbers	25mm dia.
Brakes	Hydraulic; Self-adjusting
Front	Disc; 10.51" Rotor
Rear	Drum; 9.49" x 2"
Booster	Single Diaphragm
Parking	Cable to Rear Wheels
Electrical	12 Volt; Negative Ground
Battery—Freedom Type	770 CCA♦ @ 0°F
—Reserve Capacity	110 min. @ 80°F
Delcotron Generator	66 amp.
Frame	Carbon Steel; 36,39,000 psi
Section Modulus—108.3" WB	1.94
—117.9" & 122.9" WB	2.19
Fuel Tank (nominal capacity)	14 gal.
Steering Gear Type	Integral Power
Transmission	Fully Synchronized 4-Speed Manual
Shift Location	Floor
Tires	(4) P195/75R14 All Seasons Steel Belted Radial
Spare	(1) T135/80D-15
Wheels	(4) Disc, 14" x 6"
Spare	(1) Disc, 15" x 4"

♦ CCA-Cold Cranking Amps

GASOLINE

S-10/15 PICKUP—4-WHEEL DRIVE

REGULAR CAB AND EXTENDED CAB

STANDARD SPECIFICATIONS

(See Gray Tab Section for Specification Details)

Series	S-10/15 4X4
Engine	
Base Equip.	2.5 Liter (151 Cu. In.) EFI L4
Clutch	9.13" 71.86 sq. in.
Air Filter	Oiled-paper Element
Oil Filter	Throwaway Type
Exhaust System	Single; Aluminum
Emission Control Systems	See Engine & Cooling Section for specific model applications
Suspension, Front	Independent Driving Axle
Type	Torsion Bar
Axle Capacity	2700 lb.
Axle Ratio	3.73
Springs @ Ground	1350 lb. ea.
Shock Absorbers	25mm dia.
Stabilizer Bar	32mm dia.
Suspension, Rear	Salisbury Axle; Hypoid Drive; Two-stage Multi-leaf Springs
Type	Leaf Springs
Axle Capacity	2700 lb.
Axle Ratio	3.73
Springs @ Ground	1150 lb. ea.
Shock Absorbers	25mm dia.
Brakes	Hydraulic; Self-adjusting
Front	Disc; 10.51" Rotor
Rear	Drum; 9.49" x 2"
Booster	Single Diaphragm
Parking	Cable to Rear Wheels
Electrical	12 Volt; Negative Ground
Battery—Freedom Type	405 CCA ♦ @ 0°F.
— Reserve Capacity	75 min. @ 80°F.
Delcotron Generator	56 amp.
Frame	Carbon Steel; 36,39,000 psi
Section Modulus—108.3" WB	2.56
—117.9" & 122.9" WB	2.91
Fuel Tank (nominal capacity)	13.2 gal.
Steering Gear Type	Manual; Recirculating Ball Gear
Linkage	Parallelogram
Transmission	Fully Synchronized 4-Speed Manual
Shift Location	Floor
Transfer Case	New Process 207 2-Speed Conventional
Shift Location	Floor
Tires	(4) P195/75R15 All Seasons Steel Belted Radial
Spare	(1) T155/90D-16
Wheels	(4) Disc, 15" x 6"
Spare	(1) Disc, 16" x 4"

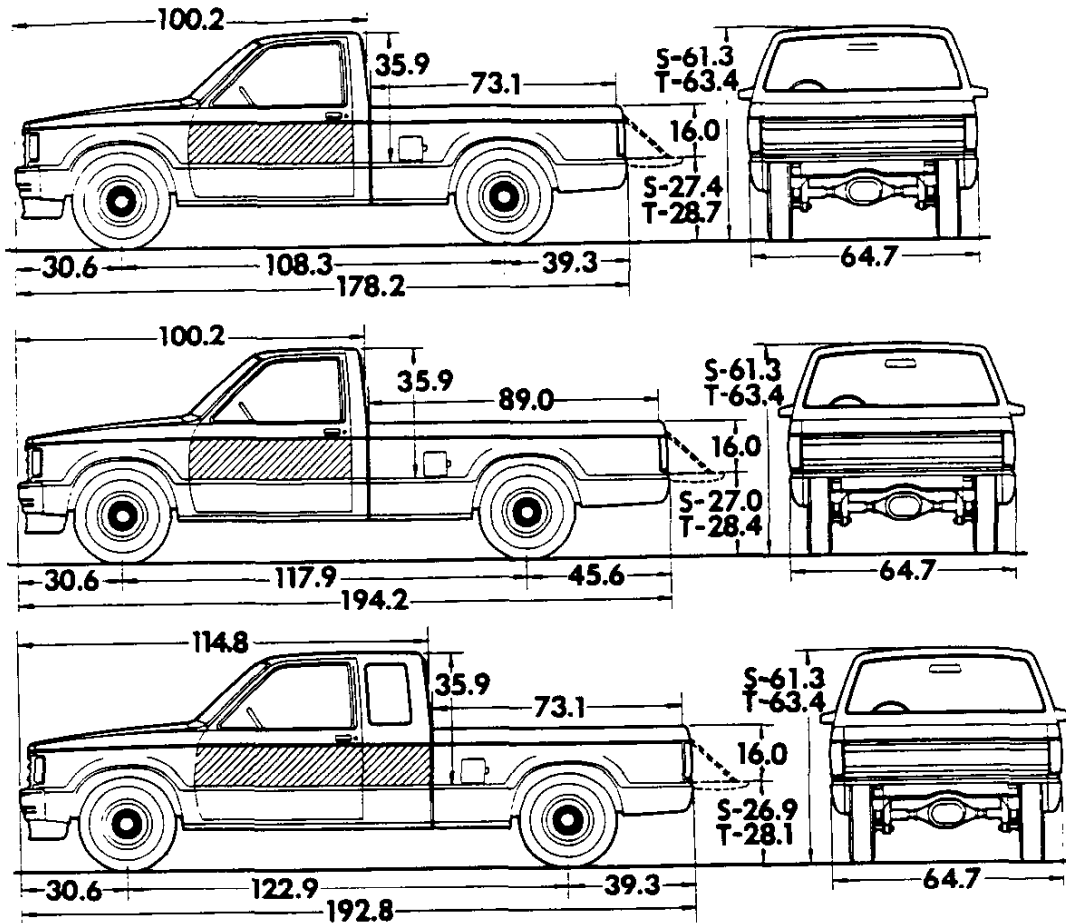
♦ CCA-Cold Cranking Amps

*GASOLINE

S-10/15 PICKUP 2- & 4-WHEEL DRIVE

DIESEL

Body Ordering Code: E63



Sign Panel Areas (side)
 Regular Cab - 12 3/4" x 45"
 Extended Cab - 12 3/4" x 64"

Cab to Axle (CA)
 108.3" WB - 38.7"
 117.9" WB - 48.3"
 122.9" WB - 38.7"

Model	Body Ordering Code	Engine No. Cyl.	Curb Weight (lb)			Model Weights (lb)*			Ground Clearance (in)*
			Front	Rear	Total	Front	Rear	Total	
S-10/15 MODELS (2-WHEEL DRIVE)									
#S10603	E63	4	1501	1066	2567	1726	1291	3017	6.4
#S10803	E63	4	1550	1106	2656	1793	1313	3106	6.4
#S10653	E63	4	1577	1134	2711	1832	1329	3161	6.4
S-10/15 MODELS (4-WHEEL DRIVE)									
T10603	E63	4	1758	1153	2901	1983	1378	3361	6.9
T10803	E63	4	1795	1174	2969	2020	1399	3419	6.9
T10653	E63	4	1824	1218	3042	2079	1413	3492	6.9

* Dimensions with standard equipment, unloaded.

* Model Weights include curb weight plus occupants (standard seating capacity x 150 lbs.). Total Weight may vary as much as ±50 lbs. to allow for production build variation.

Curb and Model Weights shown are for gasoline engine models. For diesel engine model Curb and Model Weights add: for model S10603 - front, 243 lbs; rear, 38 lbs. For model S10803 - front, 225 lbs; rear 35 lbs. For model S10653 - front, 240 lbs; rear 37 lbs.

S-10/15 PICKUP 2- & 4-WHEEL DRIVE

PAYLOAD SELECTORS

±Maximum Ratings			Minimum Equipment Required for GVW Rating			
Payload (lb)	GVW Range (lb)	†GAWR (lb)		Tires, Front	Tires, Rear	Chassis Equipment
		Front	Rear			

S-10/15 MODELS (2 WHEEL DRIVE)

1000	●3535 to 4380	2500	2300	P195/75R14	P195/75R14	Standard
1250	4132 to 4812	2500	2544	P195/75R14	P195/75R14	▲1250-lb. Payload Package (C3D)
1500	4100 to 4928	2500	2544	P195/75R14	P195/75R14	▲1500-lb. Payload Package (C3A)
1625	4240 to 4981	2500	2600	P205/75R14	P205/75R14	▲1625-lb. Payload Package (C3C)

S-10/15 MODELS (4 WHEEL DRIVE)

1000	3850 to 4820	2684	2300	P195/75R15	P195/75R15	Standard
1500	4435 to 5345	2684	2684	P195/75R15	P195/75R15	▲1500-lb. Payload Package (C3A)

†GAWRs shown are the maximum for each axle with the equipment listed. Maximum ratings include an additional 50 lbs. allowance for vehicle weight variance.

†GAWR - Gross Axle Weight Rating.

▲See payload option restrictions for engine requirements.

◆Not available on S10653 Extended Cab models.

●Diesel engine models rated 3892 to 4557.

■Available on diesel models only.

S-10/15 PICKUP 2- & 4-WHEEL DRIVE

POWER TEAMS

ALL STATES EXCEPT CALIFORNIA

PAYLOADS:
 C3B: 1000 lbs.
 C3D: 1250 lbs.
 C3A: 1500 lbs.
 C3C: 1625 lbs.

POWER TEAMS (MUST ORDER ENGINE, TRANSMISSION AND REAR AXLE)

W/NA5 STANDARD EMISSION EQUIPMENT

ENGINE	TRANSMISSION			AXLES				PAYLOAD	
	4-SP	5-SP	AUTO	3.08	3.42	3.73	4.11		
—S10603-S10803									
@LR1 L4 1.9 Liter 2BBL	MM4				GU4	GQ1	—	—	w/C3B
LN8 L4 2.5 Liter EFI	MM4				—	GQ1	GT4	—	w/C3A-C3B
		MM5			—	—	GQ1	H04	w/C3A-C3B
LR2 V6 2.8 Liter 2BBL	MM4			MXO	—	—	GQ1	H04	w/C3A-C3B
		MM5			—	GU6	—	—	N/A C3D
				MXO	—	GQ1	GT4	—	—
LQ7 L4 Diesel 2.2 Liter (Reqs B3J)	MM4				—	GU6	%GT4	—	N/A C3D
		MM5			—	GQ1	GT4	—	w/C3B-C3D
—S10653									
LN8 L4 2.5 Liter EFI	MM4				—	GQ1	GT4	—	w/C3A-C3B
		MM5	MXO		—	—	GQ1	H04	w/C3A-C3B
LR2 V6 2.8 Liter 2BBL	MM4				GQ1	GU6	—	—	w/C3A-C3B
		MM5			—	GQ1	GT4	—	w/C3A-C3B
			MXO		GQ1	GU6	%GT4	—	w/C3A-C3B
LQ7 L4 Diesel 2.2 Liter (Reqs B3J)	MM4				—	GQ1	GT4	—	w/C3B-C3D
		MM5			—	—	—	GQ1	w/C3B-C3D
—T10603-T10803-T10653									
LN8 L4 2.5 Liter EFI	MM4				—	—	#GQ1	H04	w/C3A-C3B
		MM5	MXO		—	—	—	GQ1	w/C3A-C3B
LR2 V6 2.8 Liter 2BBL (Reqs N40 Steering)	MM4				—	#GQ1	GT4	—	w/C3A-C3B
		MM5			—	—	#GQ1	H04	w/C3A-C3B
			MXO		—	#GQ1	GT4	*H04	w/C3A-C3B

W/NA6 HIGH ALTITUDE EMISSION EQUIPMENT

ENGINE	TRANSMISSION			AXLE		PAYLOAD	
	4-SP	5-SP	AUTO	3.73	4.11		
—S10603-S10803							
@LR1 L4 1.9 Liter 2BBL	MM4				GQ1	—	w/C3B
LN8 L4 2.5 Liter EFI	MM4				GQ1	—	w/C3A-C3B
		MM5	MXO		—	GQ1	w/C3A-C3B
LR2 V6 2.8 Liter 2BBL	MM4	MM5	MXO		GQ1	—	N/A C3D
LQ7 L4 Diesel 2.2 Liter (Reqs B3J)	MM4				GQ1	—	w/C3B-C3D
		MM5			—	GQ1	w/C3B-C3D
—S10653							
LN8 L4 2.5 Liter EFI	MM4				GQ1	—	w/C3A-C3B
		MM5	MXO		—	GQ1	w/C3A-C3B
LR2 V6 2.8 Liter 2BBL	MM4	MM5	MXO		GQ1	—	w/C3A-C3B
LQ7 L4 Diesel 2.2 Liter (Reqs B3J)	MM4				GQ1	—	w/C3B-C3D
		MM5			—	GQ1	w/C3B-C3D
—T10603-T10803-T10653							
LN8 L4 2.5 Liter EFI	MM4	MM5	MXO		—	GQ1	w/C3A-C3B
					#GQ1	H04	w/C3A-C3B
LR2 V6 2.8 Liter 2BBL (Reqs N40 Steering)	MM4	MM5			#GQ1	H04	w/C3B
			MXO		#GQ1	H04	w/C3A
			MXO		#GQ1	H04	w/C3A

#N/A P235/75R15 Tires
 *Reqs P235/75R15 Tires and 282 Trailing
 %Reqs 282 Trailing

@CS10603 Only

S-10/15 PICKUP 2- & 4-WHEEL DRIVE

POWER TEAMS CALIFORNIA ONLY

PAYLOADS:
C3B: 1000 lbs.
C3D: 1250 lbs.
C3A: 1500 lbs.
C3C: 1625 lbs.

POWER TEAMS (CONT'D) (MUST ORDER ENGINE, TRANSMISSION AND REAR AXLE)

W/YF5 CALIFORNIA EMISSION REQUIREMENTS

ENGINE	TRANSMISSION			AXLES				PAYLOAD
	4-SP	5-SP	AUTO	3.08	3.42	3.73	4.11	
—S10603-S10803								
LN8 L4 2.5 Liter EFI	MM4			—	GQ1	GT4	—	w/C3A-C3B
		MM5	MXO	—	—	GQ1	H04	w/C3A-C3B
LR2 V6 2.8 Liter 2BBL	MM4			GQ1	GU6	—	—	N/A C3D
			MM5		—	GQ1	GT4	—
			MXO	GQ1	GU6	%GT4	—	N/A C3D
LQ7 L4 Diesel 2.2 Liter (Reqs B3J)	MM4			—	GQ1	GT4	—	w/C3B-C3D
		MM5		—	—	—	GQ1	w/C3B-C3D
—S10653								
LN8 L4 2.5 Liter EFI	MM4			—	GQ1	GT4	—	w/C3A-C3B
		MM5	MXO	—	—	GQ1	H04	w/C3A-C3B
LQ7 L4 Diesel 2.2 Liter (Reqs B3J)	MM4			—	GQ1	GT4	—	w/C3B-C3D
		MM5		—	—	—	GQ1	w/C3B-C3D
LR2 V6 2.8 Liter 2BBL	MM4			GQ1	GU6	—	—	w/C3A-C3B
			MM5		—	GQ1	GT4	—
			MXO	GQ1	GU6	%GT4	—	w/C3A-C3B
—T10603-T10803-T10853								
LN8 L4 2.5 Liter EFI	MM4			—	—	#GQ1	H04	w/C3A-C3B
		MM5	MXO	—	—	—	GQ1	w/C3A-C3B
LR2 V6 2.8 Liter 2BBL (Reqs N40 Steering)	MM4			—	—	#GQ1	**H04	w/C3A-C3B
			MM5		—	—	#GQ1	H04
		MM5		—	—	#GQ1	**H04	w/C3A
			MXO	—	#GQ1	GT4	*H04	w/C3A-C3B

≡N/A P235/75R15 Tires
*Reqs P235/75R15 Tires and Z82 Trailering
**Reqs P235/75R15 Tires
%Reqs Z82 Trailering

ENGINE RATINGS—ALL STATES

SAE Net Ratings	1.9 Liter 119-2 BBL L4	2.5 Liter 151 EFI L4	2.8 Liter 173-2 BBL V6	2.2 Liter 136.6 L4 Diesel
Net Horsepower	82 @ 4600 rpm	92 @ 4400 rpm	115 @ 4800 rpm	62 @ 4300 rpm
Net Torque, lb-ft	101 @ 3000 rpm	134 @ 2800 rpm	150 @ 2100 rpm	96 @ 2200 rpm

S10/15 2 AND 4 WHEEL DRIVE PICKUP OPTIONS WHEN INSTALLED BY GENERAL MOTORS

Description	Option Number	Factory D&H(a)	List Price	Mfr's Suggested Retail Price◇
Tahoe /Sierra Classic Equipment: (See Interior and Exterior Color Selection Charts) Includes V22 Black Grille, black and chromed headlamp bezels, color-keyed door handle inserts, B84 Black Body Side and Bright Wheel Opening Moldings, chromed taillamp molding, special applique on tailgate, D34 Visor Mirror, color-keyed carpeting, courtesy lamps, glove box and ashtray lamps, headlamp warning buzzer, U37 Cigarette Lighter, side window defogger, deluxe vent system, cab back insulation, headliner and VG3 Deluxe Chromed Front Bumper with rub strip.				
Regular Cab Available only when Special Custom or Custom Trim is specified. Also includes C91 Dome Lamp.				
Without B3J Diesel Equipment				
S1 Regular Cab only.				
Without ZQ8 Sport Suspension or QYH P215/65R15 Tires. Also includes P01 Bright Wheel Covers and Z53 Gage Package with Trip Odometer	YC2			
With ZQ8 Sport Suspension or QHY P215/65R15 Tires. Also includes Z53 Gage Package with Trip Odometer	YC2			
S1 Extended Cab only. Available only when Special Custom or Custom Trim is specified. Also includes P01 Bright Wheel Covers, AJ2 Jump Seats and Z53 Gage Package with Trip Odometer.				
Without QHY P215/65R15 Tires	YC2			
With QHY P215/65R15 Tires	YC2			
T1 Regular Cab only. Also includes P06 Trim Rings and Z53 Gage Package with Trip Odometer	YC2			
T1 Extended Cab only. Available only when Special Custom or Custom Trim is specified. Also includes P06 Trim Rings, AJ2 Jump Seats and Z53 Gage Package with Trip Odometer	YC2			
With B3J Diesel Equipment				
S1 Regular Cab. Also includes P01 Bright Wheel Covers and Tachometer	YC2			
S1 Extended Cab only. Available only when Special Custom or Custom Trim is specified. Also includes P01 Bright Wheel Covers, AJ2 Jump Seats and Tachometer	YC2			
Sport/Gypsy Equipment: (See Interior and Exterior Color Selection Charts) Available only when Sport Bucket Seats and ZY7 Sport or ZY6 Custom Two-Tone Paint are specified. Includes black grille, black and chromed headlamp bezels, black door handle inserts, B84 Black Body Side Moldings, B74 Black Wheel Opening Moldings, chromed taillamp molding, special applique on tailgate, color-keyed front bumper with rub strip, D34 Visor Mirror, U37 Cigarette Lighter, C91 Dome Lamp, courtesy lamps, glove box and ashtray lamps, deluxe vent system and side window defogger, headlamp warning buzzer, folding back bucket seats, D55 Console, full color-keyed carpet, cab back insulation, headliner, special steering wheel and column.				
Without B3J Diesel Equipment.				
S1 Regular cab only.				
Without ZQ8 Sport Suspension or QHY P215/65R15 Tires. Also includes PA6 Styled Wheels and Z53 Gage Package with Trip Odometer	YC3			
With ZQ8 Sport Suspension or QHY P215/65 Tires. Also includes Z53 Gage Package with Trip Odometer	YC3			
S1 Extended Cab only. Also includes AJ2 Jump Seats, Z53 Gage Package with Trip Odometer and PA6 Styled Wheels				
Without QYH P215/65R15 Tires	YC3			
With QYH P215/65R15 Tires	YC3			
T1 Regular Cab only. Also includes P06 Trim Rings and Z53 Gage Package with Trip Odometer	YC3			
T1 Extended Cab only. Also includes AJ2 Jump Seats, P06 Trim Rings and Z53 Gage Package with Trip Odometer	YC3			
With B3J Diesel Equipment.				
S1 Regular Cab only. Also includes PA6 Styled Wheels and Tachometer	YC3			
S1 Extended Cab only. Also includes AJ2 Jump Seats, Tachometer and PA6 Styled Wheels	YC3			
Seat Trim: (See Interior and Exterior Color Selection Chart for availability and ordering information).				
V**1 Vinyl Bench. Not available when YC1, YC2 or YC3 is specified				

S10/15 2 AND 4 WHEEL DRIVE PICKUP OPTIONS WHEN INSTALLED BY GENERAL MOTORS

Description	Option Number	Factory D&M(s)	List Price	Mfr's Suggested Retail Price◇
Seat Trim: (Continued)				
L**1 Custom Cloth Bench. Not available when YC3 is specified				
X**1 Custom Vinyl Bench. Not available when YC3 is specified.				
Without YC1 or YC2				
With YC1 or YC2				
X**4 Custom Vinyl High Back Buckets. Driver and Passenger. Replaces vinyl bench seat.				
Regular Cab only				
Without YC2 or YC1				
With YC2 or YC1				
Extended Cab only				
Without YC2 or YC1				
With YC2				
With YC1				
H**4 Special Custom Cloth High Back Buckets.				
Regular Cab only. Available when YC2 is specified				
Extended Cab only				
With YC1				
With YC2				
S**4 Sport Cloth High Back Buckets. Included when YC3 is specified				
B**4 High Country Sheepskin High-Back Buckets. Available only when YC2 or YC3 is specified.				
Regular Cab only				
With YC2				
With YC3				
Extended Cab only. Jump Seats are vinyl trim				
Paints, Exterior: (See Interior and Exterior Color Selection Chart for ordering information and paint application).				
Solid				ZY1
Custom Two-Tone. Includes dual-tone body striping				
Without YC1, YC2 or YC3. Available only when VT3 or VG3 Bumper is specified.				ZY6
With YC1 or YC2 or YC3				ZY6
With YC3				ZY6
Special Two-Tone. Middle area painted secondary color choice. Not available when YC3 is specified.				
Without YC2. Includes B84 Body Side and Bright Wheel Opening Moldings. Available only when VT3 or VG3 Bumpers are specified				ZY8
With YC2				ZY8
Sport Two-Tone. Included when YC3 is specified.				
Without YC2. Includes paint striping and area below striping painted secondary color choice. Available only when VT3 or VG3 Bumpers. are specified				ZY7
With YC2. Area below B84 Body Side and Bright Wheel Opening Moldings painted secondary color choice				ZY7
Emission Systems: Dealer Note - One of the following emission options must be specified. (See Power Teams Chart for availability and complete specifications.)				
<i>California Emission Requirements.</i> Includes all testing, equipment and /or certification necessary for registration in the state of California. Not Available when NA5 Standard or NA6 High Altitude Emissions are specified				
High Altitude Emission Equipment.				YF5
Standard Emission Equipment. Not available when YF5 California or NA6 High Altitude Emissions are specified				NA6
Engines: (See Power Teams Chart for availability and complete specifications)				
Gasoline				
1.9 Liter 2 BBL L4. Standard on S10803 series only. Not available when YF5 California Emissions is specified on S10803, S-T1 Extended Cab or T1 Regular Cab.				LR1
2.5 Liter E.F.I. L4. Standard on S10803-S10853 and T1 Series only. Available on S1 Regular Cab only.				LN8
2.8 Liter 2 BBL V6. T1 Series available only when N40 Power Steering is specified				LR2
Diesel.				
2.2 Liter L4 Diesel. S1 Series only. Available only when B3J Diesel Equipment is specified				LQ7

S10/15 2 AND 4 WHEEL DRIVE PICKUP OPTIONS WHEN INSTALLED BY GENERAL MOTORS

Description	Option Number	Factory D&H(s)	List Price	Mfr's Suggested Retail Price ◊
Transmissions: (See Power Teams Chart for availability and Complete Specifications)				
4-Speed Automatic with Overdrive. Not available with LR1 1.9 Liter Engine or B3J Diesel Equipment	MX0			
4-Speed Manual	MM4			
5-Speed Manual with Overdrive. Not available when LR1 1.9 Liter Engine is specified on S1 Regular Cab	MM5			
Axles, Rear: (See Power Teams Chart for option number selection, availability and complete specifications)				
Optional Ratio				
Locking Differential.				
S1 Series without ZK4 or ZK5 Spare Tire. Includes T145/80D16 Compact Spare Tire	G80			
S1 Series with ZK4 or ZK5 Spare Tire and T1 Series	G80			
Tires:				
S1 Series. All Front and Rear rim sizes are 8.00" except when QYH Tires are specified, then rim size is 7.00"				
T1 Series. All Front and Rear rim sizes are 8.00" except when QEB Tires or N90 Wheels are specified, then wheel size is 7.00"				
TUBELESS				
P195/75R14 All Seasons Steel Belted Radial Ply Blackwall (Maximum Capacity 1272-lbs). S1 Series only. (Standard)	QMW			
P195/75R14 All Seasons Steel Belted Radial Ply Whitewall (Maximum Capacity 1272-lbs). S1 Series only. Not available with YJ4 Exterior Decor.	QMX			
P195/75R14 Highway Fiberglass Belted Radial Ply Blackwall (Maximum Capacity 1272-lbs). S1 Series only	QYF			
P205/75R14 All Seasons Steel Belted Radial Ply Blackwall (Maximum Capacity 1392-lbs). S1 Series only	QFT			
P205/75R14 All Seasons Steel Belted Radial Ply Whitewall (Maximum Capacity 1392-lbs). S1 Series only. Not available with YJ4 Exterior Decor	QJR			
P205/75R14 All Seasons Steel Belted Radial Ply White Lettered (Maximum Capacity 1392-lbs). S1 Series only	QSA			
P215/85R15 Highway Steel Belted Radial Ply White Lettered (Maximum Capacity 1385-lbs). S1 Series only. Available only when LR2 2.8 Liter Engine is specified. Not available when B3J Diesel Equipment is specified. Includes 15" X 7" Styled Wheels. Included when ZQ8 Sport Suspension is specified.	QYH			
P195/75R15 All Season Steel Belted Radial Ply Blackwall (Maximum Capacity 1342-lbs). T1 Series only. (Standard)	QAR			
P195/75R15 All Seasons Steel Belted Radial Ply Whitewall (Maximum Capacity 1342-lbs). T1 Series only	QAS			
P195/75R15 Highway Fiberglass Belted Radial Ply Whitewall (Maximum Capacity 1342-lbs). T1 Series only.	QYP			
P205/75R15 Highway Steel Belted Radial Ply Blackwall (Maximum Capacity 1453-lbs). T1 Series only	QCE			
P205/75R15 On-Off Road Steel Belted Radial Ply White Lettered (Maximum Capacity 1453-lbs). T1 Series only	QJL			
P205/75R15 All Seasons Steel Belted Radial Ply White Lettered (Maximum Capacity 1453-lbs). T1 Series only	QCF			
P205/75R15 On-Off Road Steel Belted Radial Ply Blackwall (Maximum Capacity 1453-lbs). T1 Series only. Not available when ZK4 Spare Tire is specified	QJT			
P235/75R15 On-Off Road Steel Belted Radial Ply White Lettered (Maximum Capacity 1453-lbs). T1 Series only. Available only when ZK5 Spare Tire is specified. Included when Z71 Chassis Equipment Package is specified	QEB			

S10/15 2 AND 4 WHEEL DRIVE PICKUP OPTIONS WHEN INSTALLED BY GENERAL MOTORS

Description	Option Number	Factory D&H(a)	List Price	Mfr's Suggested Retail Price
OTHER OPTIONS				
Air Cleaner, Pre-Cleaner: Available only when LR2 2.8 Liter Engine is specified	K46			
Air Conditioning: <i>All-Weather</i> Includes V01 H.D. Radiator when V02 H.D. Radiator and Transmission Oil Cooler is not specified. T1 Series available only when N40 Power Steering is specified				
Without B3J Diesel Equipment Package. Includes K81 66-Amp Generator.	C60			
Without YC1, YC2 or YC3	C60			
With YC1, YC2 or YC3	C60			
With B3J Diesel Equipment	C60			
Without YC1, YC2 or YC3	C60			
With YC1, YC2 or YC3	C60			
Battery: <i>Heavy-Duty</i> . 515 Cold Cranking Amps, Delco Freedom. Not available when B3J Diesel Equipment is specified. Included when V10 Cold-Climate Package is specified.	UA1			
Brakes: <i>Vacuum Power</i> . Standard on T1 Series and S10653 Extended Cab only. Included when B3J Diesel Equipment, C3A 1500-lb or C3C 1625-lb Payload Capacity is specified	J50			
Bumper Equipment:				
Bumpers, Painted. Color-Keyed with rub strip. Available only when ZY6 Custom, ZY7 Sport or ZY8 Special Two-Tone Paint is specified. Not available when VG3 Bumper is specified.				
Front. Included when YC3 is specified.				
Without YC1 or YC2	VT3			
With YC1 or YC2	VT3			
Rear Step. Available only when VT3 Front Bumper or YC3 is specified	VB2			
Rear Step, Black. Not available when VG3 or VT3 Front Bumpers, YC1, YC2, YC3, ZY6 Custom, ZY7 Sport or ZY8 Special Two-Tone Paint is specified	V43			
Bumpers Deluxe, Chromed.				
Front with rub strip. Included when YC1 or YC2 is specified. Not available when YC3, VB2 or V43 Step Bumpers are specified	VG3			
Rear with rub strip. Available only when VG3 Chromed Front Bumper, YC1 or YC2 is specified. Not available when YC3 or VT3 Color-Keyed Bumper is specified	VB3			
Bumper Guards, Front, Black. Available only when VG3 Deluxe Chromed Bumper, VT3 Color-Keyed Front Bumper, YC1, YC2 or YC3 is specified	V28			
Chassis Equipment: <i>Off Road Package</i> . T1 Series only. Not available when F51 H.D. Shocks are specified. Available only when C3A Payload Capacity is specified. Includes QEB P235/75R15 Tires, ZK5 Spare Tire, special torsion bars, shock absorbers, jounce bumpers and front stabilizer bar, NY7 Transfer Case Shield, NY1 Fuel Tank Shield, P06 Trim Rings and V76 Tow Hooks.				
Without YC1, YC2 or YC3	Z71			
With YC1, YC2 or YC3	Z71			
Cold-Climate Package: Not available when B3J Diesel Equipment is specified. Includes UA1 H.D. Battery.				
Without C60 Air Conditioning. Also includes K81 66-Amp Generator.				
Without YC1, YC2 or YC3. Includes special insulation, carpeting on rear of cab, lower backlite and quarter trim moldings.	V10			
With YC2 or YC3	V10			
With YC1	V10			
With C60 Air Conditioning.				
Without YC2 or YC3. Includes special insulation, carpeting on rear of cab, lower backlite and quarter trim moldings	V10			
With YC2 or YC3	V10			
Console: <i>Front Compartment Floor</i> . Available only when Bucket Seats are specified. Included with YC3	D55			

S10/15 2 AND 4 WHEEL DRIVE PICKUP OPTIONS WHEN INSTALLED BY GENERAL MOTORS

Description	Option Number	Factory D&H(s)	List Price	Mfr's Suggested Retail Price ◊
OTHER OPTIONS				
Cooling Systems:				
<i>Engine Oil, S1 Series only.</i> Available only when LR2 2.8 Liter Engine, MX0 Automatic Transmission and V01 H.D. Radiator or V02 H.D. Radiator and Transmission Oil Cooler are specified.	KC4			
<i>Radiator, Heavy-Duty.</i> Not available when V02 H.D. Radiator and Transmission Oil Cooler is specified. Included when C80 Air Conditioning is specified.	V01			
<i>Radiator and Transmission Oil, Heavy-Duty.</i> Available only when LR2 2.8 Liter Engine and MX0 Transmission is specified.				
Without C80 Air Conditioning.	V02			
With C80 Air Conditioning.	V02			
Decor, Exterior: Not available when D90 Sunshine Striping is specified. Includes 4 x 4 decal applied to upper rear corner of the pickup box. The standard 4 x 4 emblem located on the cab pillar is deleted.	YJ3			
Door Lock System, Power: Included when ZQ2 Operating Convenience Package is specified.	AU3			
Floor Covering: Mats, Color-Keyed, Front, Removable. Available only when YC2 or YC3 is specified.	B32			
Gages:				
<i>Voltmeter, Temperature, Oil Pressure and Trip Odometer.</i> Not available when B3J Diesel Equipment is specified. Included when YC2, YC3 or U16 Tachometer is specified.	Z53			
<i>Tachometer.</i> Included when B3J Diesel Equipment and YC2 or YC3 are specified Without YC2 or YC3. Includes Z53 Gage Package.	U16			
With YC2 or YC3.	U16			
Generator: 66-Amp Delcotron. Included when C60 Air Conditioning, B3J Diesel Equipment or V10 Cold-Climate Package is specified.	K81			
Glass:				
<i>Deep Tinted.</i>				
Extended Cab only. Includes dark laminated glass on quarter windows and rear window. Also includes A20 Swing-Out Quarter Windows.	AJ1			
Regular Cab only. Includes dark laminated glass on rear window and tinted glass for windshield glass, passenger and driver's side door glass.	AJ1			
<i>Deep Tinted with Light Tinted Rear Window.</i> Extended Cab only. Not available when AJ1 Deep Tinted glass is specified. Includes dark laminated glass on quarter windows. Also includes A20 Swing-Out Quarter Windows.	AA3			
<i>Tinted.</i> All Windows. Standard on Extended Cab only.	A01			
Grille: Black and Chromed. Included when YC1 or is specified. Not available when YC3 is specified.	V22			
Harness, Wiring: 5-Lead. Not available when Z82 Trailering Special is specified.	U89			
Headlamps, Halogen	TT4			
Heaters:				
<i>Engine Block, 600 watts, 120 volts.</i> Not available when B3J Diesel Equipment is specified.	K05			
<i>Engine Block and Fuel System.</i> Available only when B3J Diesel Equipment is specified.	K07			
Lamps: Included when TR9 Auxiliary Lighting is specified.				
<i>Cargo Area.</i>				
<i>Regular Cab only.</i>				
Without YC1, YC2 or YC3. Includes C91 Dome Lamp.	UF2			
With YC1, YC2 or YC3.	UF2			
Extended Cab only.	UF2			
<i>Dome.</i> Standard on Extended Cab. Included when YC1, YC2, YC3 or UF2 Cargo Lamp is specified. Includes door actuated switches and bright lamp bezels.	C91			
Lighter, Cigarette: Included when YC1, YC2 or YC3 is specified.	U37			
Lighting, Auxiliary:				
<i>Regular Cab only. Includes underhood light and UF2 Cargo Lamp.</i>				
Without YC1, YC2 or YC3. Also includes ashtray light, glove box light, headlamp warning buzzer and C91 Dome Lamp.	TR9			
With YC1, YC2 or YC3.	TR9			
<i>Extended Cab only. Includes underhood light and UF2 Cargo Lamp.</i>				
Without YC1, YC2, or YC3. Also includes ashtray light, glove box light and headlamp warning buzzer.	TR9			
With YC1, YC2 or YC3.	TR9			

S10/15 2 AND 4 WHEEL DRIVE PICKUP OPTIONS WHEN INSTALLED BY GENERAL MOTORS

Description	Option Number	Factory D&H(a)	List Price	Mfr's Suggested Retail Price ◊
OTHER OPTIONS				
Mirrors, Exterior: LH and RH. Below Eye-line Type. 9" x 6.5"				
<i>Painted</i>	D44			
<i>Bright.</i> Not available when YC3 is specified	D45			
Mirror, Visor: RH. Included when YC2 or YC3 is specified	D34			
Moldings:				
<i>Body Side and Wheel Opening.</i> Included when YC2, YC3 or ZY8 Special Two-Tone Paint is specified. Includes lower side and rear moldings of black plastic with bright trim. Without YC3 also includes B96 Bright Wheel Opening Moldings. With YC3 includes B74 Black Wheel Opening Moldings.				
Without ZY7 Sport Two-Tone Paint	B84			
With ZY7 Sport Two-Tone Paint	B84			
<i>Guards, Door Edge</i>	B93			
<i>Wheel Opening.</i>				
Black. Not available when B96 Bright Wheel Opening Moldings are specified. Included when YC3 is specified.				
Without B84 Body Side and Wheel Opening Moldings	B74			
With B84 Body Side and Wheel Opening Moldings	B74			
Bright. Included when YC2, B84 Body Side and Wheel Opening Moldings or ZY8 Special Two-Tone Paint are specified. Not available when YC3 is specified.	B86			
Operating Convenience Package: Includes AU3 Power Door Locks and A31 Power Windows	ZQ2			
Payload Capacities: (See Power Teams Chart for Engine, Transmission and Axle availability).				
1625-lbs. S1 Regular Cab only. Not available when B3J Diesel Equipment is specified. Available only when LR2 2.8 Liter Engine and P205 or P215 tires are specified. Includes F59 Stabilizer Bar, extra capacity rear springs and J50 Brakes	C3C			
1500-lbs. Not available when B3J Diesel Equipment is specified.				
S1 Regular Cab. Not available when P205 or P215 Tires are specified with LR2 2.8 Liter Engine. Includes F59 Stabilizer Bar, extra capacity rear springs and J50 Brakes	C3A			
S1 Extended Cab. Includes F59 Stabilizer Bar and extra capacity rear springs T1 Series. Includes extra capacity rear springs	C3A			
S1 Series. Includes extra capacity rear springs	C3A			
1250-lbs. S1 Series only. Available only when B3J Diesel Equipment is specified. Includes F59 Front Stabilizer	C3D			
1000-lbs	C3B			
Preliminary Price Information	B3W			
Radio Equipment:				
<i>AM Radio</i>	U63			
<i>AM/FM Radio</i>	U69			
<i>AM/FM Radio with Clock</i>	UL7			
<i>AM/FM Stereo Radio. Electronically Tuned</i>	UU9			
<i>AM/FM Stereo Radio with Clock. Electronically Tuned</i>	UL1			
<i>AM/FM Stereo Radio and Stereo Cassette Tape, Seek and Scan and Clock. Electronically Tuned. Includes U66 Premium Dual Rear Speakers</i>	UM6			
<i>AM Stereo and FM Stereo Radio and Stereo Cassette Tape, Seek and Scan, Clock and Graphic Equalizer. Electronically Tuned. Includes U66 Premium Dual Rear Speakers</i>	UX1			
<i>Speakers, Premium, Dual Rear.</i> Available only when UU9 or UL1 Radio is specified. Included with UM6 or UX1 Radio	U66			
Rails, Pickup Box Side	D73			
Seats:				
<i>Rear Jump.</i> Extended Cab only. Available only when bucket seats are specified. Included when YC2 or YC3 is specified	AJ2			
<i>Seat Backs, Adjustable, RH and LH.</i> Extended Cab only. Available only when bucket seats are specified	A78			
Shields: T1 Series only. Included when Z71 Chassis Equipment is specified.				
<i>Fuel Tank.</i> Available only when NY7 Transfer Case Shield is specified	NY1			
<i>Transfer Case.</i> Includes front differential shield. Available only when NY1 Fuel Tank Shield is specified.	NY7			

S10/15 2 AND 4 WHEEL DRIVE PICKUP OPTIONS WHEN INSTALLED BY GENERAL MOTORS

Description	Option Number	Factory D&H(s)	List Price	Mfr's Suggested Retail Price ◊
OTHER OPTIONS				
Shock Absorbers: <i>Heavy-Duty.</i> Front and Rear. Not available when Z71 Chassis Equipment is specified. Included when ZQ8 Sport Suspension or F60 H.D. Front Suspension is specified	F51			
Spare Tire: <i>Full size.</i> Replaces standard compact spare. Included when Z71 Chassis Equipment is specified.				
Highway				
With QAS P195/75R15 All Seasons Steel Belted Radial Ply Blackwall. T1 Series only	ZK4			
With QAR P195 75R15 All Seasons Steel Belted Radial Ply Blackwall. T1 Series only	ZK4			
With QMW P195/75R14 All Seasons Steel Belted Radial Ply Blackwall. S1 Series only	ZK4			
With QMX P195/75R14 All Seasons Steel Belted Radial Ply Whitewall. S1 Series only	ZK4			
With QYF P195/75R14 Highway Fiberglass Belted Radial Ply Blackwall. S1 Series only	ZK4			
With QYP P195/75R15 Highway Fiberglass Belted Radial Ply Blackwall. T1 Series only	ZK4			
With QCE P205/75R15 All Seasons Steel Belted Radial Ply Blackwall. T1 Series only	ZK4			
With QCF P205/75R15 All Seasons Steel Belted Radial Ply White Lettered. T1 Series only	ZK4			
With QFT P205/75R14 All Seasons Steel Belted Radial Ply Blackwall. S1 Series only	ZK4			
With QJR P205/75R14 All Seasons Steel Belted Radial Ply Whitewall. S1 Series only	ZK4			
With QSA P205/75R14 All Seasons Steel Belted Radial Ply White Lettered. S1 Series only	ZK4			
With QYH P215/65R15 Highway Steel Belted Radial Ply White Lettered. S1 Series only	ZK4			
On-Off Road				
With QJL P205/75R15 On-Off Road Steel Belted Radial Ply Lettered. T1 Series only	ZK5			
With QJT P205/75R15 On-Off Road Steel Belted Radial Ply Blackwall. T1 Series only	ZK5			
With QEB P235/75R15 On-Off Road Steel Belted Radial Ply White Lettered. T1 Series only	ZK5			
Speed Control, Electronic	K34			
Stabilizer Bar: <i>Front.</i> Standard on T1 Series. Included when C3D 1250-lb, C3A 1500-lb or C3C 1625-lb Payload Capacity is specified	F59			
Steering: <i>(One of the following steering options must be specified.)</i>				
<i>Power.</i> Included when ZQ8 Sport Suspension Equipment or B3J Diesel Equipment is specified	N40			
<i>Power, Not Desired.</i> Not available when Z82 Trailering Special is specified	N51			
Steering Wheel: <i>Comfort</i>	N33			

S10/15 2 AND 4 WHEEL DRIVE PICKUP OPTIONS WHEN INSTALLED BY GENERAL MOTORS

Description	Option Number	Factory D&H(s)	List Price	Mfr's Suggested Retail Price ◊
OTHER OPTIONS				
Striping: Available only when ZY1 Solid Paint is specified. Not available when 884 Body Side and Wheel Opening Moldings or YC3 is specified. (See interior and exterior Color Availability Charts for Ordering Information.)				
<i>Black</i>				
Without D90 Sunshine Striping. Included when ZY7 Sport Two-Tone Paint is specified	09A			
With D90 Sunshine Striping	09A			
<i>Blue, Dark</i> Not available when D90 Sunshine Striping is specified. Included when ZY7 Sport Two-Tone Paint is specified.				
	28A			
<i>Gold</i>				
Without D90 Sunshine Striping. Included when ZY7 Sport Two-Tone Paint is specified	84A			
With D90 Sunshine Striping	84A			
<i>Red.</i> Not available when D90 Sunshine Striping is specified. Included when ZY7 Sport Two-Tone Paint is specified				
	72A			
<i>Silver</i>				
Without D90 Sunshine Striping. Included when ZY7 Sport Two-Tone Paint is specified	17A			
With D90 Sunshine Striping	17A			
<i>White</i>				
Without D90 Sunshine Striping. Included when ZY7 Sport Two-Tone Paint is specified	12A			
With D90 Sunshine Striping	12A			
Sunshine Striping: Available only when ZY1 Solid Paint or ZY8 Custom Two-Tone Paint is specified. Includes 4 decal stripes along the full length of the vehicle. (See Interior and Exterior Color Availability Charts for Ordering Information)				
With ZY1 Solid Paint. Available only when 09A, 84A, 17A or 12A Striping Option is specified.	D90			
With ZY8 Custom Two-Tone Paint	D90			
Suspension Equipment:				
<i>Front, Heavy Duty, T1 series only.</i> Includes F51 H.D. Front and Rear Shock Absorbers. Recommended for snowplow type usage only				
	F80			
<i>Sport.</i> S1 Regular Cab only. Not available when B3J Diesel Equipment is specified. Available only when C3A 1500-lb payload or C3C 1825-lb payload is specified. Includes F51 H.D. Front and Rear Shocks, N40 Power Steering, QYH P215/65R15 Tires and 15" x 7" styled wheels				
	ZQ8			
Tank, Fuel: LH Frame Mounted. Replaces Standard Production Fuel Tank. Approximately 20-gallon capacity.				
	NK2			
Towing Device: Two front hooks. T1 Series only. Included when Z71 Chassis Equipment is specified				
	V78			
Trailering Special: Heavy-Duty. Available only when LR2 2.8 Liter Engine, MX0 Transmission, N40 Power Steering, 3.73 or 4.11 Rear Axle Ratio, V02 H.D. Radiator and Transmission Oil Cooler and C3A or C3C Payload Capacity Option are specified. Also requires K81 86-Amp Generator when C80 Air Conditioning or V10 Cold-Climate Package is not specified. T1 Series with QEB Tires available only when 4.11 Rear Axle is specified. Includes 7-lead wiring harness, weight distributing hitch platform and H.D. flasher. (See Trailering Guide in Recreational Vehicle Section for GCW ratings with available power team combinations.)				
	Z82			
Wheel Trim:				
<i>Trim Rings.</i> Not available on S1 series when YC2 is specified. Included when Z71 Chassis Equipment, YC1 or YC3 is specified				
	P06			
<i>Wheel Covers.</i> S1 Series only. Not available when P06 Trim Rings, ZQ8 Sport Suspension Equipment, QYH P215 Tires, YC3 or PA6 Styled Wheels are specified. Included when YC2 is specified				
Without YC1	P01			
With YC1	P01			

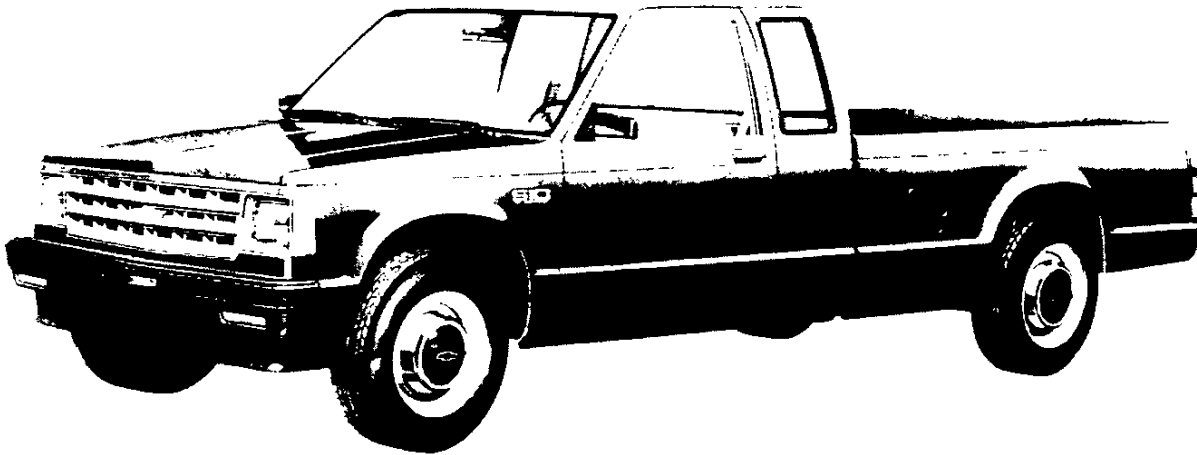
S-10/15 PICKUP 2- & 4-WHEEL DRIVE

**CAB & BODY FEATURES
CAB CONSTRUCTION
CAB DIMENSIONS
COLOR & TRIM CHARTS
TWO-TONES**

S-10/15 PICKUP 2- & 4-WHEEL DRIVE

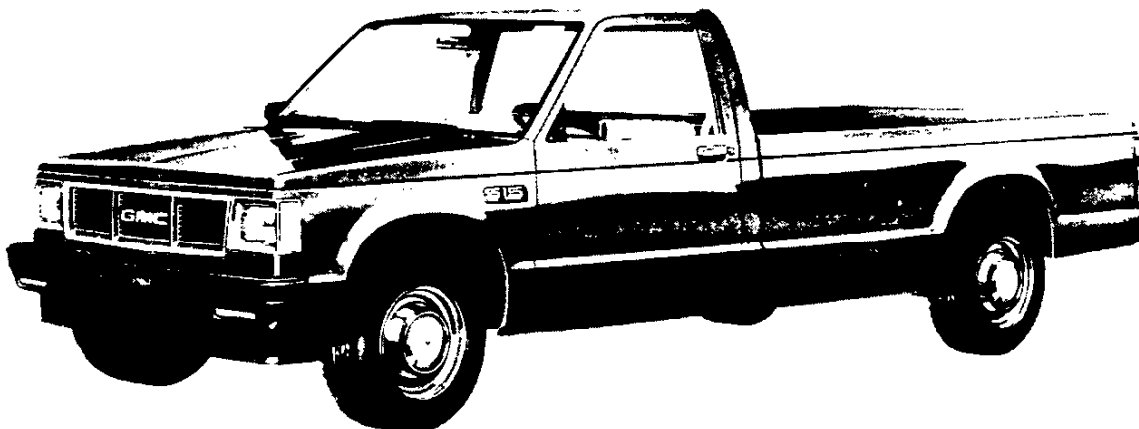
STANDARD MODEL—FEATURES

The standard models include the following items as standard equipment



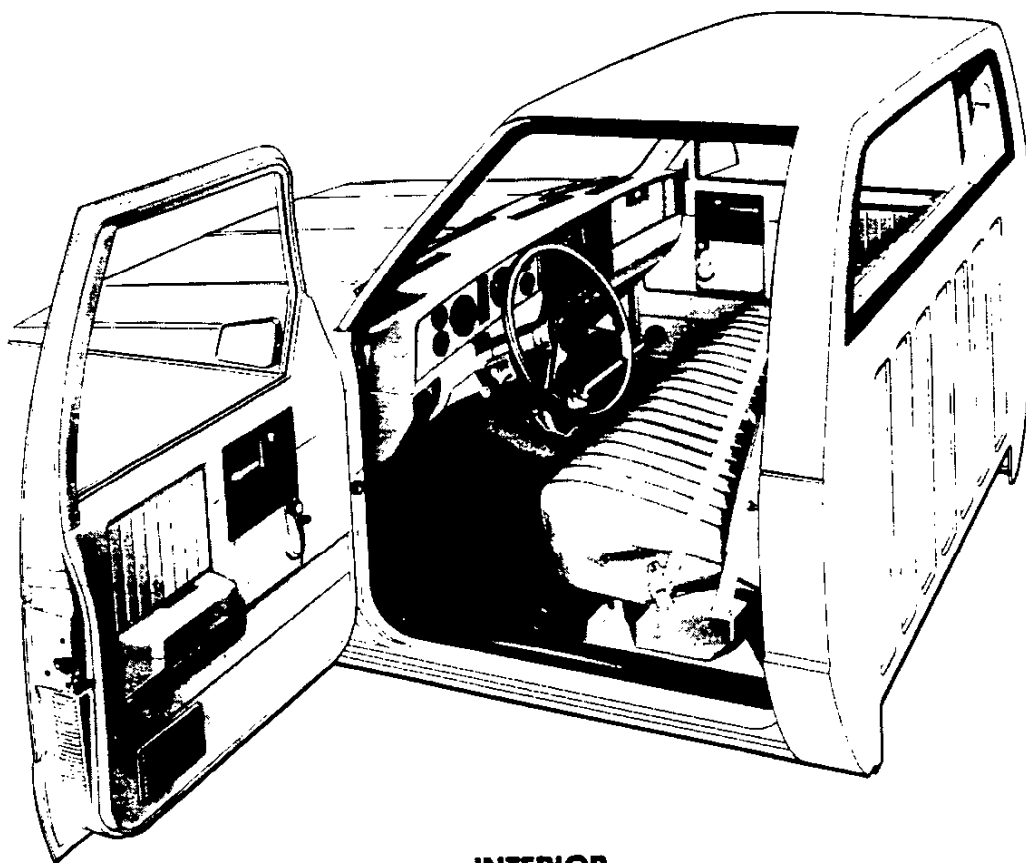
EXTERIOR

- **Bumper:** Front; painted low-gloss black; incorporating parking lamps
- **Color:** See Interior and Exterior Color Selection Chart
- **Grille:** Molded plastic; painted dark argent; integral Chevrolet emblem/GMC letters at center of grille
- **Glass:** Tinted, all windows (Extended cabs only)
- **Headlamp-Front Side Marker Lamp Bezels:** Molded plastic with chromed finish
- **Horn:** Single, electric, high-note
- **Hub Caps:** Bright metal with black trim
- **Keys:** Two-key system; with separate keys for ignition switch and door locks
- **Lettering, Tailgate:** Black or silver decal on Chevrolet/GMC letters depending on exterior color
- **Lights:**
 - Backup lamps: Two rear (integral with taillamps)
 - Combination parking/direction/hazard: Two front
 - Combination tail/stop/direction/hazard: Two rear
- **Headlamps:** Two, rectangular
- **License plate lamp:** Single rear
- **Side marker lamps with reflectors:** Two front; two rear (integral with taillamps)
- **Mirrors:** RH and LH fixed arm with adjustable 6½" wide x 4" high aerodynamic heads; low gloss black finish. RH mirror is convex
- **Moldings:** Low-gloss black windshield
- **Nameplates:** Bright "S-10/S-15 Sierra" nameplates on front fenders near doors. Diesel engine models have a diesel nameplate under LH headlamp. 4-wheel-drive models have "4x4" nameplates on cab rear corner panels
- **Pickup Box:** Steel floor, welded double wall construction; painted body color
- **Spare Tire Carrier:** Winch-type; mounted under frame at rear
- **Wheels:** Painted argent
- **Windshield Wipers and Washers:** Electric, 2-speed wipers with low-gloss black finish on exposed metal portions; coordinated washer with fluidic oscillator at center of plenum inlet grille



S-10/15 PICKUP 2- & 4-WHEEL DRIVE STANDARD MODEL—FEATURES

The standard models include the following items as standard equipment

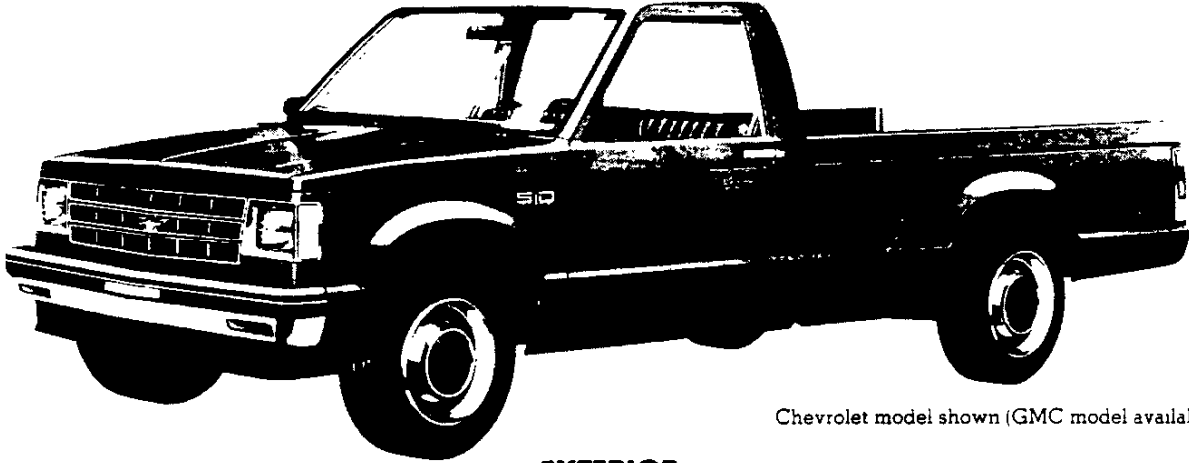


INTERIOR

- **Armrests:** RH and LH padded; integral with door trim panels
- **Ashtray:** In middle of instrument panel
- **Coat Hook:** RH side
- **Colors:**
Painted areas: Same as exterior primary color choice
Interior trim: Coordinated with seat trim color choice
- **Door Sill Plates:** Door-opening protection and floor mat retention; full-length; black plastic
- **Door Trim Panels:** Color-keyed, embossed molded plastic with integral armrests and black housing in door latch release handle area
- **Floor Covering:** Embossed black rubber mat (partial only on conventional cab)
- **Grab Handle:** Over RH door (4x4 models only)
- **Headliner:** Color-keyed; partial roof coverage; styrene laminate with thin foam and cloth cover (full foam and full coverage on extended cab)
- **Heater and Defogger:** Conventional outside air type
- **Hood Lock Release:** Handle located under LH side of instrument panel
- **Instrument Panel Trim:** Textured argent finish for instrument cluster bezel, central control panel (black center area), stowage box door, and RH/LH air conditioning outlet cover plates
- **Instruments:**
Gages: Speedometer, odometer and fuel
Switches: Main, for control of exterior lights, instrument cluster lights, and cab interior lights; combination steering column switch for direction signals by moving lever up and down, headlamp beams by moving lever fore and aft, and windshield wiper and washer by turning lever to wipe and pressing lever in to wash; hazard warning; heater fan; ignition with key-in warning buzzer
Warning lights: Generator, oil pressure, engine temperature, seat belt, service-parking brake, direction/hazard signal, and high beam
- **Instrument Panel Control Knobs:** Soft black plastic (except heater and wiper-washer controls) with white graphic identification
- **Instrument Panel Pad:** Color-keyed, energy-absorbing foam type with injection molded plastic substrate
- **Insulation and Sound Deadening Material:** On dash (fire-wall), under floor mat, spray deadener inside of doors, plugs on windshield pillars, on roof underside, and on headliner
- **Lights:** Instrument cluster and cab interior light; dome light for extended cab (includes door-operated switches for dome and cab interior lights)
- **Mirror, Rearview:** 10" prismatic with soft vinyl rim
- **Seats:** Full-width, full depth foam bench-type with folding backrest. All-vinyl embossed grained seat trim is standard. Also available at extra cost: 1) (for regular cabs only) Leather grained custom vinyl bench seat; 2) Leather grained custom vinyl bucket seats; or 3) (for extended cabs only) Leather grained vinyl trimmed rear jump seats. See Interior and Exterior Color Selection Chart for color and trim availability
- **Seat Belts:** Non-detachable combination lap and shoulder belts for outboard positions with emergency-locking retractors; lap belt with manual adjustment for center position. All seat belts are color-keyed with pushbutton type buckles
- **Steering Wheel and Column:** 15¼" black, soft plastic wheel with 2 spokes; black energy-absorbing steering column with anti-theft locking feature
- **Stowage Box:** In RH side of instrument panel; with bright key-operated lock and "S-10/S-15 Sierra" nameplate; lock operated by door key
- **Sunshades:** RH and LH padded; color-keyed
- **Tools:** Mechanical jack and wheel wrench behind seat on RH side
- **Trim Panels and Moldings:** Color-keyed moldings on windshield pillars, upper rear quarter trim panels on extended cab, and jack cover on extended cab (charcoal)

S-10/15 PICKUP 2- & 4-WHEEL DRIVE DURANGO/HIGH SIERRA MODEL OPTION—RPO YC1

This option includes all standard model items plus the additions or substitutions listed below



Chevrolet model shown (GMC model available)

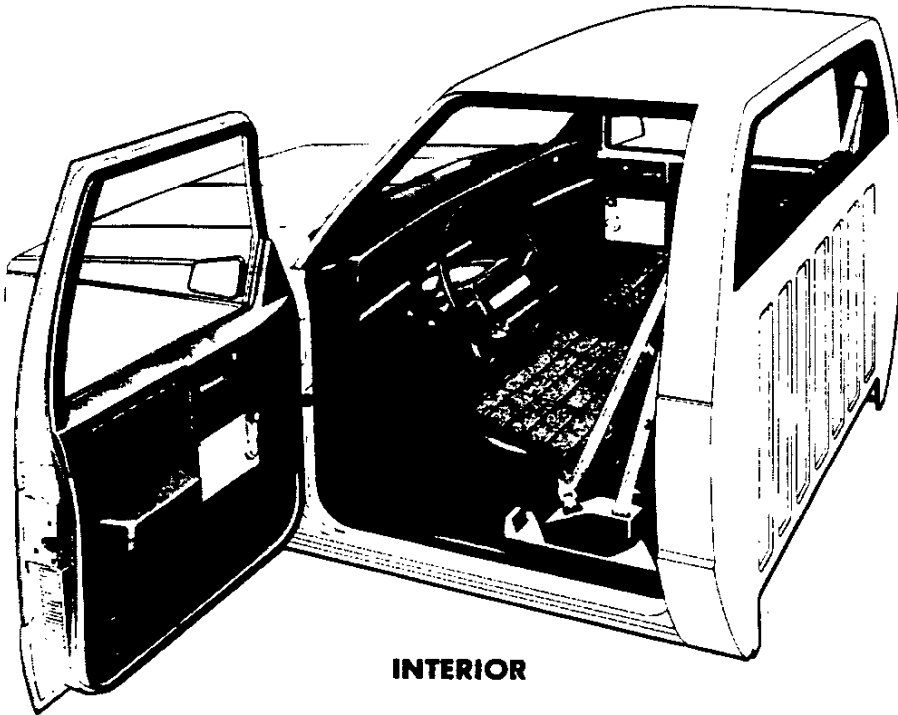
EXTERIOR

- **Bright Appearance Items:**

- "Durango/High Sierra" nameplates with series designation on front fenders
- Front bumper (Includes black rub strip)
- Trim on bumper rub strips

- Trim on black grille
- Taillamp trim
- Wheel trim rings

- **Lettering, Tailgate:** Same as for standard model except reflectorized (reflects at night)



INTERIOR

- **Bright Appearance Items:**

- "Durango/High Sierra" nameplate on stowage box door
- Dome lamp trim
- **Cigar Lighter:** With ashtray light
- **Dome Lamp:** With bright trim (conventional cab)
- **Dome and Interior Lamp Switches:** Door-operated for conventional cab (dome and interior lamps also may be activated by main light switch)
- **Door Trim Panels:** Black trim plate below door latch release handle area
- **Floor Covering:** Color-keyed rubber mat for entire floor area
- **Headlamp Warning Buzzer**

- **Heater and Defogger:** Deluxe outside air type with power center and outboard instrument panel vents and side window defoggers

- **Insulation and Sound Deadening Material:** Under floor mat

- **Jack Cover:** Color-keyed (extended cab only)

- **Seats:** Choice of: 1) textured velour custom cloth/vinyl trim; or 2) leather grained custom vinyl trim. Also available at extra cost: 1) leather grained custom vinyl bucket seats; 2) (for extended cabs only) dual-tone woven special custom cloth/vinyl trim bucket seats; or 3) (for extended cabs only) leather grained custom vinyl trimmed rear jump seats. See Interior and Exterior Color Selection Chart for color and trim availability

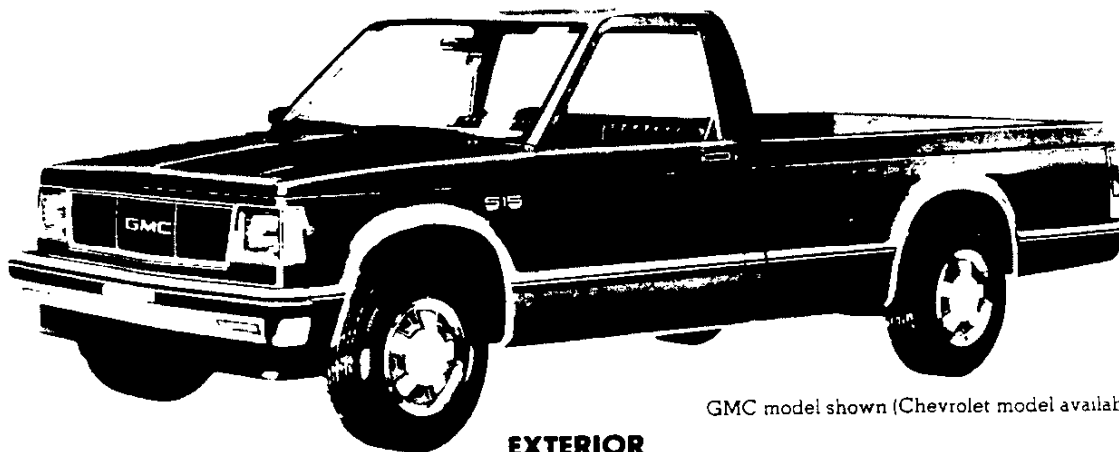
- **Steering Wheel and Column:** Deluxe; color-keyed

- **Stowage Box Light**

S-10/15 PICKUP 2- & 4-WHEEL DRIVE

TAHOE/SIERRA CLASSIC MODEL OPTION—RPO YC2

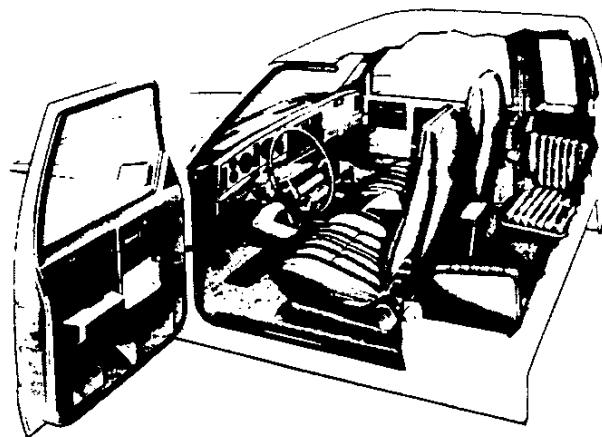
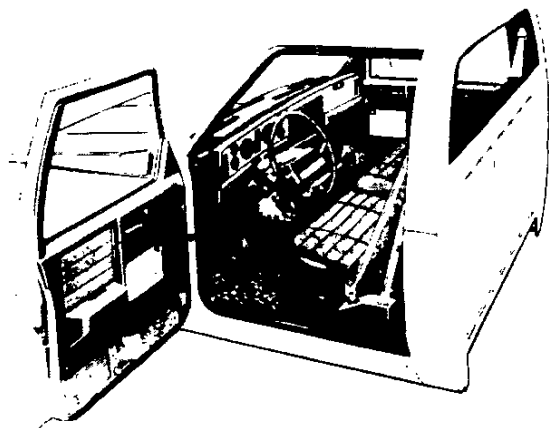
This option includes all of the Durango/High Sierra model option items plus the additions or substitutions listed below



GMC model shown (Chevrolet model available)

EXTERIOR

- **Bright Appearance Items:**
 - "Tahoe/Sierra Classic" nameplates with series designation on front fenders
 - Body side molding trim
 - Bright wheel opening lip moldings
 - Wheel covers (2-wheel drive models); Hub caps and trim rings (4-wheel drive models)
 - Delete wheel trim rings (2-wheel drive models only).
- **Cab-to-Fender Insulators**
- **Door Handle Inserts:** Body color
- **Hood Insulator**
- **Moldings:** Black plastic body side moldings with bright insert
- **Tailgate Trim:** Black applique with bright "Chevrolet/GMC" lettering and trim
- **Wheels:** Painted black (2-wheel drive models); Painted argent (4-wheel drive models)



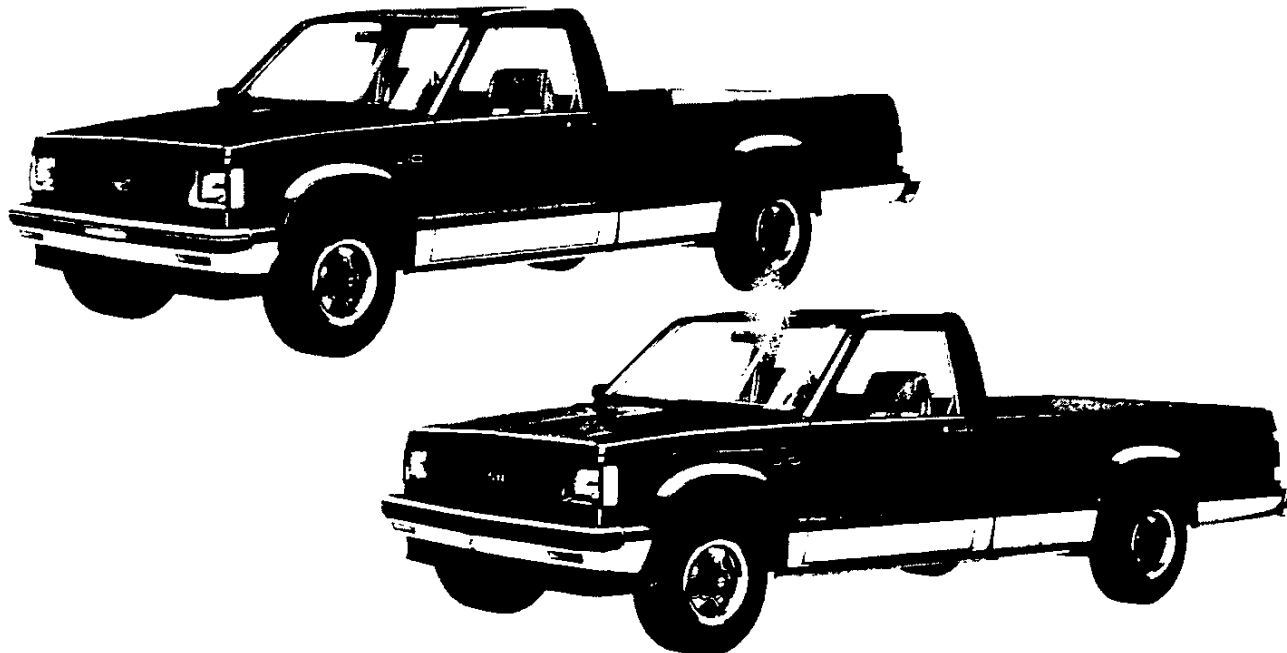
INTERIOR

- **Bright Appearance Items:**
 - "Tahoe/Sierra Classic" nameplate on stowage box door
 - Trim on instrument panel
 - Trim on door trim panels
- **Door Trim Panels:** Special custom cloth insert plus brush-finished applique in regulator area; carpeted lower insert with pocket, plus coin holder in LH door
- **Floor Covering:** Color-keyed carpeting for entire floor area and on cab back panel
- **Headliner:** Full coverage molded styrene; full foam with color-keyed cloth cover (conventional cab)
- **Instrument Cluster:** Voltmeter, oil pressure gage and engine temperature gage replace warning lamps; also includes trip odometer
- **Instrument Panel Trim:** Brushed metal finish replaces textured argent finish
- **Insulation and Sound Deadening Material:** On plenum panels (part of specific dash mat), under floor and cab back panel carpeting, on floor and cab back panel carpeting, extra-thick on headliner, on door trim panels, and on lower portion of instrument panel
- **Seats:**
 - Regular Cabs—Choice of: 1) leather grained custom vinyl bench seat; or 2) textured velour custom cloth bench seat. Also available at extra cost: 1) leather grained custom vinyl bucket seats; 2) dual-tone woven special custom cloth bucket seats; or 3) High Country sheepskin bucket seats
 - Extended Cabs—Choice of: 1) leather grained custom vinyl bucket seats; or 2) dual-tone woven special custom cloth bucket seats. Also included: Two rear leather grained custom vinyl folding jump seats mounted to the rear compartment side walls. Also available at extra cost: High Country sheepskin bucket seats. See Interior and Exterior Color Selection Chart for color and trim availability
- **Trim Panels and Moldings:** Color-keyed cowl kick panels; upper (conventional cab) and lower rear quarter panels; lower backlight molding, and jack cover (conventional cab)
- **Visor Mirror:** On RH sun visor

S-10/15 PICKUP 2- & 4-WHEEL DRIVE

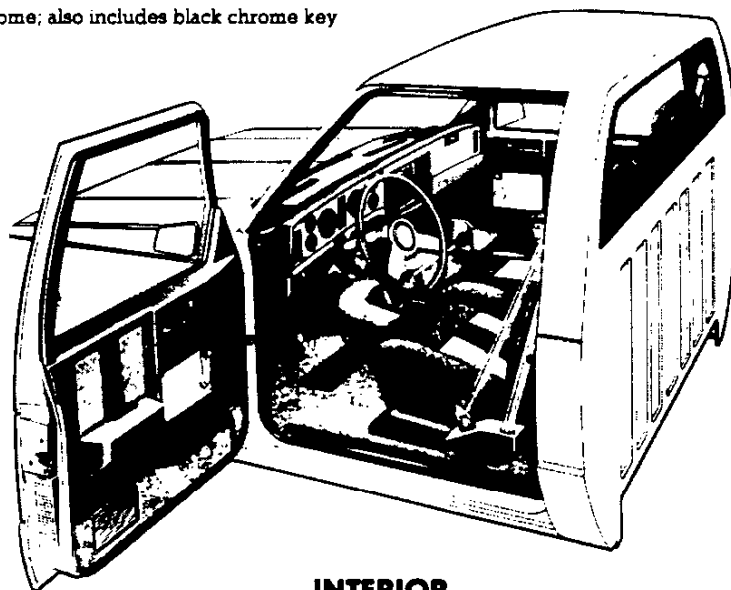
SPORT/GYPSY MODEL OPTION — RPO YC3

This option includes all items in the Tahoe/Sierra Classic model option plus the additions or substitutions listed below



EXTERIOR

- **Bright Appearance Items:**
 - “Sport/Gypsy” nameplates with series designation on front fenders
 - Wheel trim rings (4-wheel drive models only)
 - Delete bright wheel opening lip moldings
- **Bumper:** Color-keyed to lower accent color, with black rub strips
- **Door Handles:** Black chrome; also includes black chrome key cylinder covers
- **Grille:** Black chrome grille and headlamp bezels
- **Two-Tone Paint:** ZY7 lower-accent paint
- **Wheels:** Styled; painted argent with black trim; includes black ornamental hubs and red stripe on 2-wheel drive models; black ornamental hubs and trim rings on 4-wheel drive models
- **Wheel Opening Lip Moldings:** Black plastic



INTERIOR

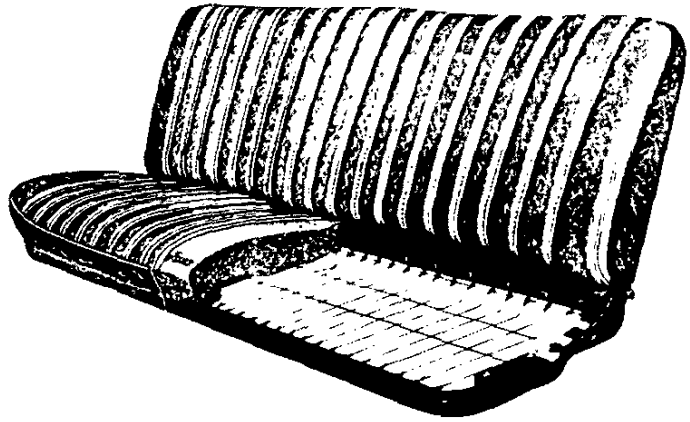
- **Bright Appearance Items:**
 - “Sport/Gypsy” nameplate on stowage box door
 - Trim on steering wheel
- **Console:** Color-keyed molded plastic with lockable stowage compartment; lock operated by door key
- **Door Trim Panels:** Special cloth insert to match seat trim
- **Seats:** High back buckets with sport cloth trim. Also available at extra cost: High Country sheepskin bucket seats. Extended Cab models also have two jump seats as described in the Tahoe/Sierra Classic Model Option. See Interior and Exterior Color Selection Chart for color and trim availability
- **Steering Wheel:** Color-keyed sport type with bright shroud

S-10/15 PICKUP 2- & 4-WHEEL DRIVE

PICKUP SEATS

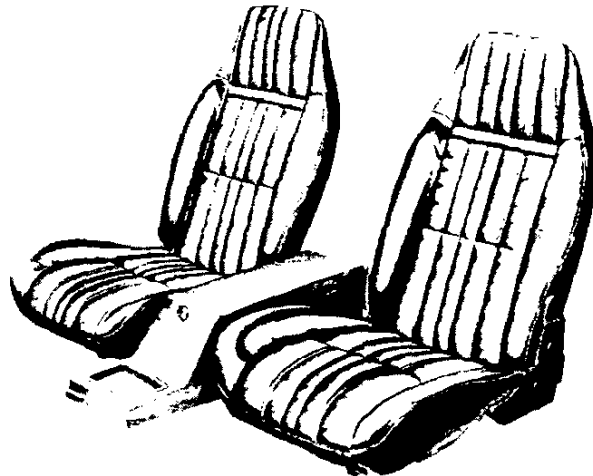
STANDARD FULL-DEPTH FOAM SEAT

Molded polyurethane foam pads over a steel cushion spring and frame assembly and a backrest frame assembly provide resilient support for driver and passengers, with an extra-thick pad employed for the cushion. A folding type backrest with inertia latch is used, providing convenient access to the stowage area behind the seat. Seats are adjustable fore and aft. Trim is durable, easy-to-clean vinyl.



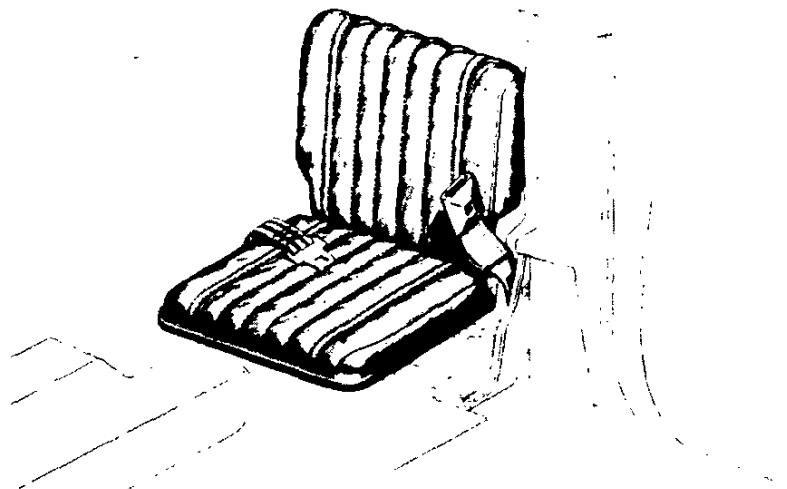
FRONT BUCKET SEATS (Custom Vinyl Seat Trim Shown)

This option consists of two high back bucket-type seats with foam padding and folding backrests with inertia latches. They are standard on Extended Cab models when the Tahoe/Sierra Classic Model Option is ordered and on Sport/Gypsy Models, and are available for all other models. A lockable color-keyed plastic center console with spacious stowage compartment is available when bucket seats are ordered on base. Durango/High Sierra, or Tahoe/Sierra Classic models. This console is included with the Sport/Gypsy Model Option.

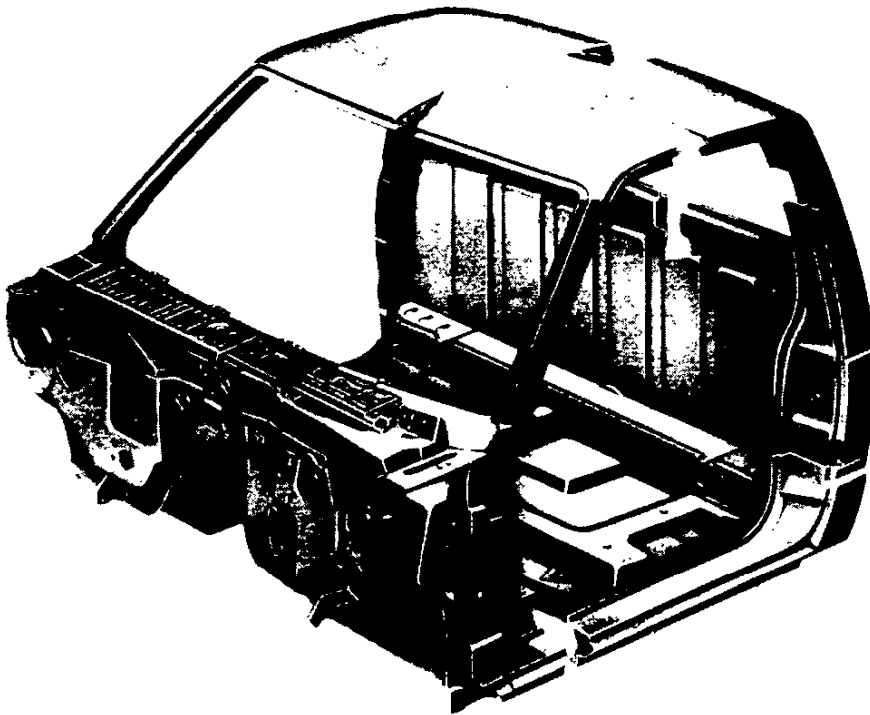


FOLDING JUMP SEATS

This option consists of two folding jump seats mounted on Extended Cab rear side-walls. They may be left folded for cargo carrying or unfolded to carry two additional passengers. Bucket Seats are required when this option is ordered, and they are included when Tahoe/Sierra Classic or Sport/Gypsy is ordered on Extended Cab models. Trim on these seats is always Custom Vinyl.



S-10/15 PICKUP 2- & 4-WHEEL DRIVE



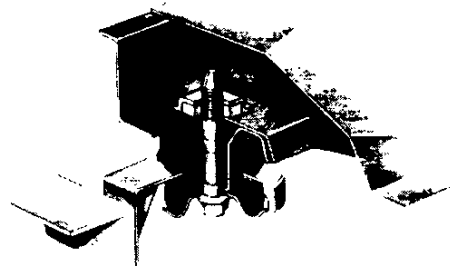
Cab Construction

Two cab configurations are used; the regular cab and the extended cab. Both are 2-door cabs, but the extended cab has approximately 14.6" of added space behind the 3 passenger seat. Provisions are made to enable the addition of 2 optional jump seats if desired. Both utilize all-steel, welded construction. A plenum chamber with high level, screened air intake is incorporated in the front end structure for interior ventilation. Single-wall

construction is utilized throughout the remainder of the cab except in the upper back panel area. A cathodic ELPO primer is used throughout and coated steel is used in most areas to reduce sheet metal corrosion. Body joints are filled with pumpable sealer. A 4-point mounting system is utilized for the cab, and the radiator support is mounted on frame outriggers.

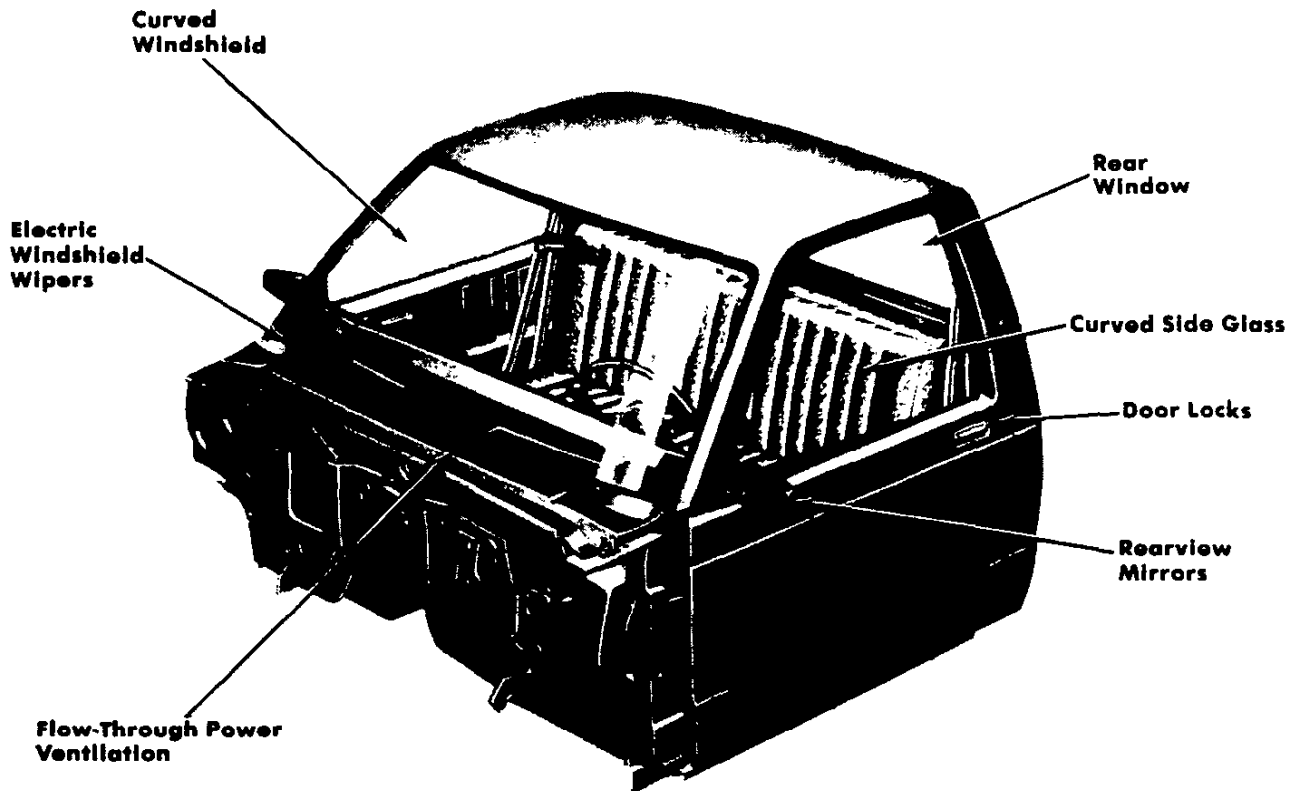
Cab Mountings

All mounts are the double rubber biscuit type.



S-10/15 PICKUP 2- & 4-WHEEL DRIVE

STANDARD CAB FEATURES



Curved Windshield—The large, one-piece windshield of laminated safety glass is urethane bonded into the windshield frame and has an area of approximately 1138.5 square inches for excellent visibility.

Curved Rear Window—The rear window is of solid tempered safety glass and is curved to prevent road reflections on the inside rear view mirror. It has a 617.5 square inch area.

Electric Windshield Wipers—High-capacity, 2-speed motor provides constant wiping action regardless of engine load or accelerator

position. Wipers have 16-inch blades. Wiper arms and the metal portions of the blades have a low gloss black finish. Electric washers with a 5.7-pint capacity reservoir are also standard. A "Fluidics" washer nozzle assures efficient washing action.

Curved Side Glass—Curved door windows are of solid tempered safety glass with an area of 409.5 square inches for each side.

Rearview Mirrors—Standard chrome exterior mirrors are of the fixed arm type with 6½" wide x 4" high adjustable aerodynamic

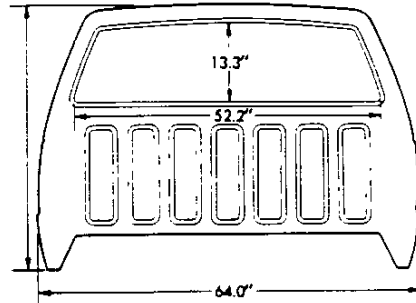
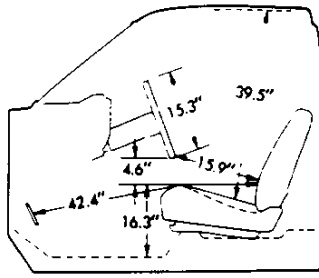
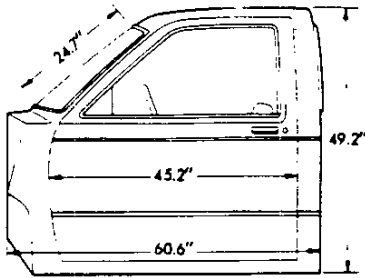
heads and a low gloss black finish. Both right-hand and left-hand units are provided, with convex glass used for the RH mirror.

Optional mirror combinations are also available. See the Optional Equipment listing.

Door Locks—All cab models include left & right hand key-operated (front) door locks as standard equipment. Actuation of inside lock levers prevents accidental door opening and provides keyless door locking when leaving the vehicle. Door lock key is separate from the ignition key for theft protection.

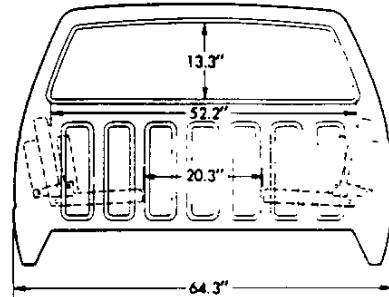
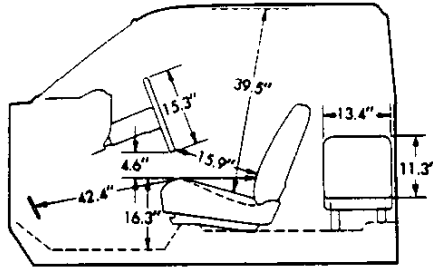
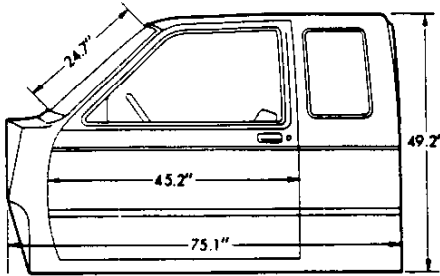
S-10/15 PICKUP 2- & 4-WHEEL DRIVE

CAB DIMENSIONS*



Glass Area (sq in)

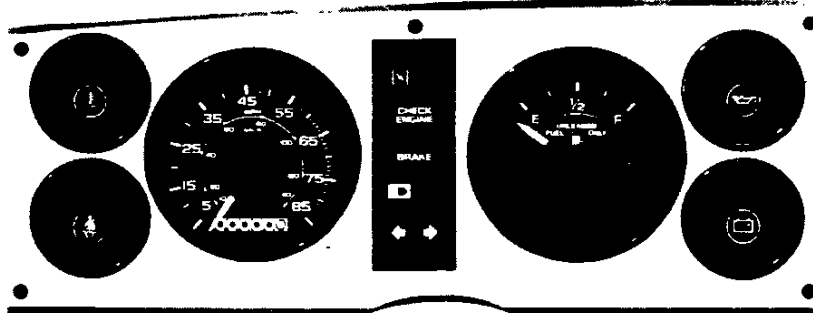
Windshield.....	1138.5	Rear side windows (each side).....	150.0
Front side door window (each side).....	409.5	Rear window.....	617.5



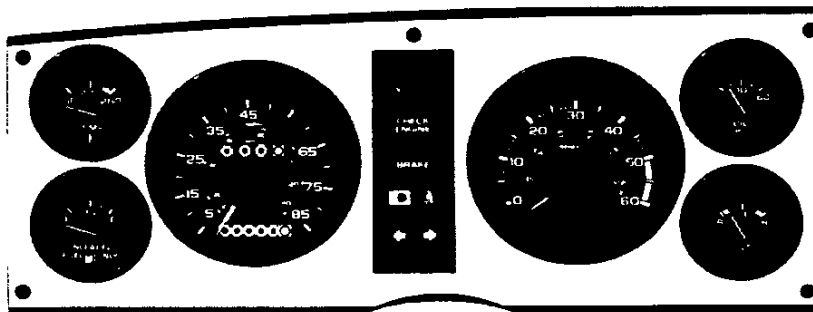
*All interior dimensions measured with front seat in rearmost position. Seat travel is 5"

INSTRUMENT CLUSTER

Standard Cluster with warning lights for engine temperature, generator, and oil pressure.

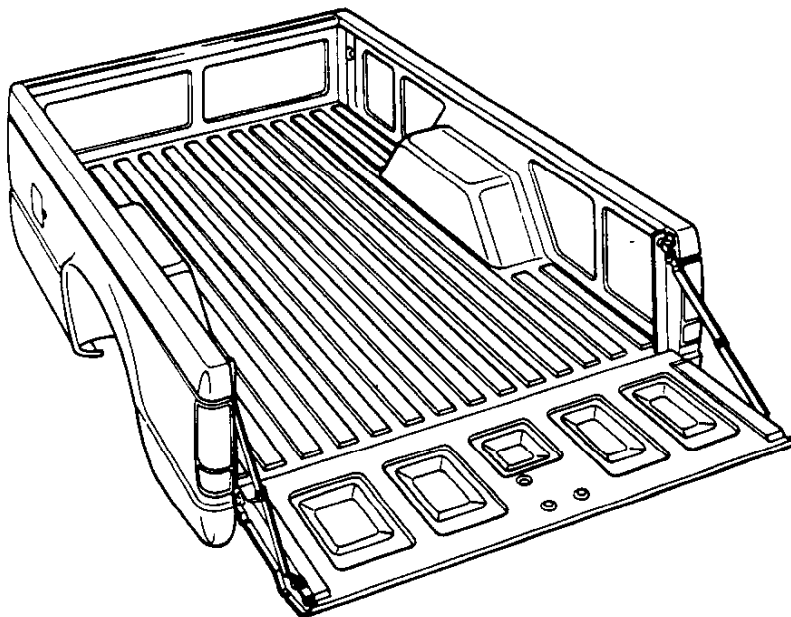
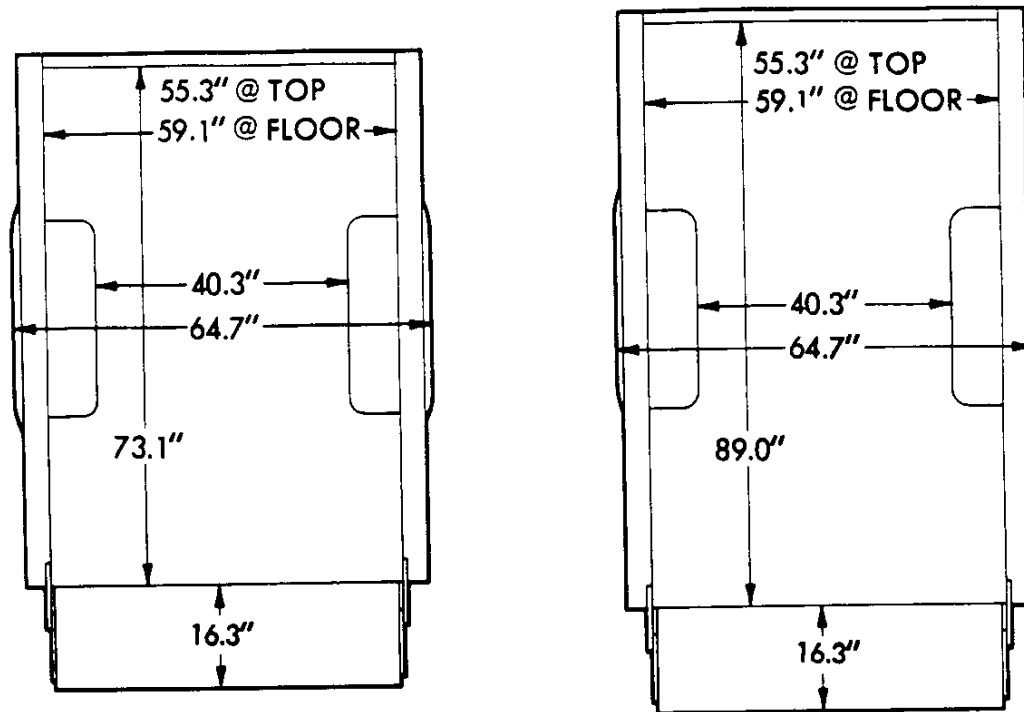


Optional Cluster (RPO Z53) with voltmeter, engine temperature gage, oil pressure gage and trip odometer. Included in Tahoe/Sierra Classic model options (RPO YC2) and Sport/Gypsy model options (RPO YC3) along with bright brush-finished trim, as illustrated (Diesel models with YC2 or YC3 also include tachometer.) Cluster faceplate for standard models and Durango/High Sierra model options (RPO YC1) has argent finish. When the optional tachometer is ordered (or included), it replaces the regular fuel gage, and another fuel gage is added (as shown).



S-10/15 PICKUP 2- & 4-WHEEL DRIVE PICKUP BOX

Body Ordering Code E63
DIMENSIONS



The all steel, welded pickup box is built in both 6- and 7.5-foot nominal lengths with approximate 35 and 43 cubic ft. capacities respectively. Integral skid strips are incorporated into the load floor. Vertical rear lamps with bright bezels are incorporated into the corner posts. Double-walled construction is used in the side panels and tailgate to prevent load dents from marring the appearance of the outer panels.

The ELPO electro-coating process is used to prime the completely assembled cargo box to assure that all surfaces of all components — even surfaces not visible — receive a coat of prime paint. Side outer panels and tailgate are fabricated of zinc coated steel and galvanized steel is used for platform panels and rear wheel housings to provide additional corrosion protection.

A tight-fitting full-width tailgate holds such loads as grain and sand with minimal loss. It is operated by a mechanically actuated latch and retained in the horizontal position by hinged steel support straps. The tailgate latch features one-hand operation for easy opening and closing.

The vertical structural support welded into each corner of the pickup box has a round metal loop at the upper end to serve as a cargo tie-down.

S-10/15 PICKUP 2- & 4-WHEEL DRIVE

INTERIOR AND EXTERIOR COLOR AVAILABILITY CHART

WITHOUT D90 SUNSHINE STRIPING

Please Note: Below are the interior trim color and exterior paint combinations recommended by Chevrolet/GMC. The only available primary/secondary exterior color combinations are those shown in the chart below, however, any available interior trim color may be ordered with one of these exterior color combinations if that particular combination is desired by the customer.

INTERIOR COLORS		Decor	Blue	Garmin	Charcoal	Saddle Tan						
STANDARD INTERIOR		Std	VDD1	VRR1	VJJ1	VSS1						
Vinyl Bench Seat			XDD1	XRR1	XJJ1	XSS1						
Custom Vinyl Bench Seat (N.A.S. T10653)			XDD4	XRR4	XJJ4	XSS4						
DURANGO/HIGH SIERRA		YC1	XDD1	XRR1	XJJ1	XSS1						
Custom Vinyl Bench Seat			LDD1	LRR1	LJJ1	LSS1						
Custom Cloth Bench Seat			XDD4	XRR4	XJJ4	XSS4						
Custom Vinyl High Back Bucket Seats			HDD4	HRR4	HJJ4	HSS4						
TAHOE/SIERRA CLASSIC		YC2	XDD1	XRR1	XJJ1	XSS1						
Custom Vinyl Bench Seat (N.A.S. T10653)			LDD1	LRR1	LJJ1	LSS1						
Custom Cloth Bench Seat (N.A.S. T10653)			XDD4	XRR4	XJJ4	XSS4						
Custom Vinyl High Back Bucket Seats			HDD4	HRR4	HJJ4	HSS4						
Special Custom Cloth High Back Bucket Seats (S. T10653 only)												
SPORT/GYPSY (Reqs ZY6 or ZY7 Paint)		YC3			SJJ4	SSS4	ZY1 PAINT OPTIONAL STRIPING CHART RECOMMENDED COMBINATIONS Additional stripe combinations are available except where N.A. is shown, provided the dealer orders (D60) as verification (N.A. 884 YC2 or YC3)					
Sport Cloth High Back Bucket Seats												
High Country Sheepskin High Back Bucket Seats						BSS4						
EXTERIOR COLORS w/ZY1, ZY6, ZY7 or ZY8 PAINT		Primary	Secondary	RECOMMENDED INTERIOR TRIM COLORS			STRIPE COLORS					
				Black 09A	Blue Oars 28A	Gold 64A	Red 72A	Silver 17A	White 12A			
BLACK, MIDNIGHT	19	19		X								
BLACK, MIDNIGHT	19	19			X							
BLACK, MIDNIGHT	19	19				X						
Red, Apple	19	72		X	X							
Sand, Desert (Metallic)	19	64				X						
Silver (Metallic)	19	17		X	X							
White, Frost	19	12		X	X							
BLUE, GALAXY (Metallic)	28	28	X		X							
BLUE, GALAXY (Metallic)	28	28			X							
Silver (Metallic)	28	17	X		X							
White, Frost	28	12	X									
BLUE, LIGHT (Metallic)	21	21	X		X							
Black, Satin (Req. ZY7)	21	09	X		X							
Blue, Galaxy (Metallic)	21	28	X									
White, Frost	21	12	X									
BRONZE, INDIAN (Metallic)	66	66			X		X	N/A		N/A	N/A	
BRONZE, INDIAN (Metallic)	66	66			X		X	N/A		N/A	N/A	
Silver (Metallic)	66	17			X							
Sand, Desert (Metallic)	66	64				X						
White, Frost	66	12				X						
RED, APPLE	72	72		X								
RED, APPLE	72	72			X	X	X	N/A		N/A	N/A	
Black, Midnight (N/A ZY7)	72	19		X	X							
Black, Satin (Req. ZY7)	72	09		X	X							
Silver (Metallic)	72	17		X	X							
White, Frost	72	12		X	X							
RED, CINNAMON	71	71			X		X	N/A		N/A	N/A	
RED, CINNAMON	71	71			X		X	N/A		N/A	N/A	
Black, Midnight (N/A ZY7)	71	19			X							
Black, Satin (Req. ZY7)	71	09			X	X						
White, Frost	71	12			X							
SAND, DESERT (Metallic)	64	64			X	X	X	N/A		N/A	N/A	
Black, Midnight (N/A ZY7)	64	19			X	X						
Black, Satin (Req. ZY7)	64	09			X	X						
White, Frost	64	12			X							
SILVER (Metallic)	17	17	X				X	N/A		N/A	N/A	
SILVER (Metallic)	17	17		X								
SILVER (Metallic)	17	17		X	X		X	N/A		N/A	N/A	
Black, Midnight (N/A ZY7)	17	19		X	X							
Black, Satin (Req. ZY7)	17	09		X	X							
Blue, Galaxy (Metallic)	17	28	X									
Red, Apple	17	72		X	X							
White, Frost	17	12	X	X	X							
TAN, DOESKIN	81	81			X		X	N/A		N/A	N/A	
TAN, DOESKIN	81	81			X		X	N/A		N/A	N/A	
Black, Midnight (N/A ZY7)	81	19			X							
Black, Satin (Req. ZY7)	81	09			X	X						
Sand, Desert (Metallic)	81	64			X							
White, Frost	81	12			X							
WHITE, FROST	12	12	X				X				N/A	
WHITE, FROST	12	12		X					X		N/A	
WHITE, FROST	12	12		X			X				N/A	
WHITE, FROST	12	12			X				X		N/A	
Black, Midnight (N/A ZY7)	12	19		X	X							
Black, Satin (Req. ZY7)	12	09		X	X							
Blue, Galaxy (Metallic)	12	28	X									
Red, Apple	12	72		X	X							
Sand, Desert (Metallic)	12	64			X	X						
Silver (Metallic)	12	17	X			X						

S-10/15 PICKUP 2- & 4-WHEEL DRIVE INTERIOR AND EXTERIOR COLOR AVAILABILITY CHART WITH D90 SUNSHINE STRIPING

Please Note: Below are the interior trim color and exterior paint combinations recommended by Chevrolet. The only available primary-secondary exterior color combinations are those shown in the chart below; however, any available interior trim color may be ordered with one of these exterior color combinations if that particular combination is desired by the customer.

INTERIOR COLORS		Decor	Blue	Carmine	Charcoal	Saddle Tan						
STANDARD INTERIOR		Std	VDD1	VRR1	VJJ1	VSS1						
Vinyl Bench Seat			XDD1	XRR1	XJJ1	XSS1						
Custom Vinyl Bench Seat (N/A S. T10653) Custom Vinyl High Back Bucket Seats			XDD4	XRR4	XJJ4	XSS4						
DURANGO		YC1	XDD1	XRR1	XJJ1	XSS1						
Custom Vinyl Bench Seat			LDD1	LRR1	LJJ1	LSS1						
Custom Cloth Bench Seat			XDD4	XRR4	XJJ4	XSS4						
Custom Vinyl High Back Bucket Seats			HDD4	HRR4	HJJ4	HSS4						
Special Custom Cloth High Back Bucket Seats (S. T10653 only)												
TAHOE		YC2	XDD1	XRR1	XJJ1	XSS1						
Custom Vinyl Bench Seat (N/A S. T10653)			LDD1	LRR1	LJJ1	LSS1						
Custom Cloth Bench Seat (N/A S. T10653)			XDD4	XRR4	XJJ4	XSS4						
Custom Vinyl High Back Bucket Seats			HDD4	HRR4	HJJ4	HSS4						
Special Custom Cloth High Back Bucket Seats												
High Country Sheepskin High Back Bucket Seats					BSS4							
						D90 STRIPING CHART RECOMMENDED COMBINATIONS Stripe color options must be specified on all ZY1 Solid Paint applications. Stripe color options are not available where N/A appears. (N/A ZY8)						
EXTERIOR COLORS w/ZY1 PAINT		Primary	Secondary	RECOMMENDED INTERIOR TRIM COLORS				STRIPE COLORS				
							Black 09A	Gold 64A	Silver 17A	White 12A		
BLACK, MIDNIGHT		19	19		R	R	N/A		X	X		
BLACK, MIDNIGHT		19	19			R	N/A	X				
BLUE, GALAXY (Metallic)		28	28	R		R	N/A	N/A		X		
BLUE, GALAXY (Metallic)		28	28	R		R	N/A	N/A	X			
BLUE, LIGHT (Metallic)		21	21	R		R	X	N/A	N/A	X		
BRONZE, INDIAN (Metallic)		66	66			R	N/A		N/A	X		
BRONZE, INDIAN (Metallic)		66	66			R	N/A	X	N/A			
RED, APPLE		72	72		R	R	X	N/A				
RED, APPLE		72	72		R	R		N/A	X	X		
RED, CINNAMON		71	71			R	X	N/A	X	X		
SAND, DESERT (Metallic)		64	64			R	X	N/A	N/A			
SAND, DESERT (Metallic)		64	64			R		N/A	N/A	X		
SILVER (Metallic)		17	17	R	R	R	X	N/A	N/A	X		
TAN, DOESKIN		61	61		R	R	X	N/A	N/A	X		
TAN, DOESKIN		61	61	R				N/A	N/A	X		
WHITE, FROST		12	12	R	R	R	X	N/A			N/A	
WHITE, FROST		12	12	R	R	R		N/A	X		N/A	
w/ZY6 PAINT (Interior and Exterior Combinations Shown are the only Combinations Available)												
							Black	Gold	Silver	White		
BLACK, MIDNIGHT												
Red, Apple		19	72		R	R	X					
Sand, Desert (Metallic)		19	64			R	X					
Silver (Metallic)		19	17	R	R	R	X					
White, Frost		19	12	R	R	R	X					
SAND, DESERT (Metallic)												
Black, Midnight		64	19			R		X				
SILVER (Metallic)												
Black, Midnight		17	19	R	R	R			X			
Blue, Galaxy (Metallic)		17	28	R		R			X			
Red, Apple		17	72		R				X			
White, Frost		17	12	R	R	R			X			
WHITE, FROST												
Black, Midnight		12	19	R	R	R					X	
Blue, Galaxy		12	28	R		R					X	
Red, Apple		12	72		R						X	
Sand, Desert (Metallic)		12	64			R					X	
Silver (Metallic)		12	17	R		R					X	

R-Recommended N/A-Not Available

S-10/15 PICKUP 2- & 4-WHEEL DRIVE
STRIPE CHART FOR ZY6 CUSTOM TWO-TONE

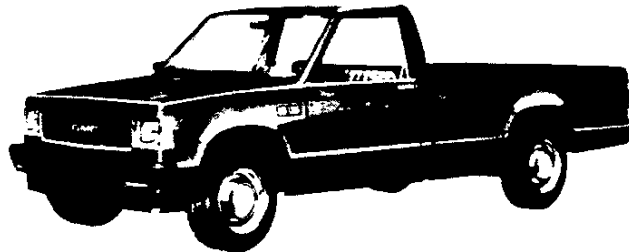
INTERIOR TRIM COLOR			BLUE	CARMINE	CHARCOAL	SADDLE TAN
EXTERIOR PAINT COLOR	Primary	Secondary	STRIPE COLORS			
BLACK, MIDNIGHT Red Apple	19	72	*Silver	Silver	Silver	*Silver
BLACK, MIDNIGHT Sand Desert (Met)	19	64	*Orange/Yellow	*Orange/Yellow	*Orange/Yellow	Orange/Yellow
BLACK, MIDNIGHT Silver (Met)	19	17	Blue	Blue	Blue	*Red
BLACK, MIDNIGHT White Frost	19	12	*Blue	Red	Red	*Orange/Yellow
BLUE, GALAXY (MET), Silver (Met)	28	17	Blue	*Red	Blue	*Blue
BLUE, GALAXY (MET), White Frost	28	12	Blue	*Red	*Blue	*Gold
BLUE, LIGHT (MET)/Blue Galaxy (Met)	21	28	Blue	*Silver	*Silver	*Blue
BLUE, LIGHT (MET) White Frost	21	12	Blue	Red	*Blue	*Blue
BRONZE, INDIAN (MET) Silver (Met)	66	17	*Orange/Yellow	*Orange/Yellow	Orange/Yellow	*Orange/Yellow
BRONZE, INDIAN (MET) Sand, Desert (Met)	66	64	*Orange/Yellow	*Orange/Yellow	*Orange/Yellow	Orange/Yellow
BRONZE, INDIAN (MET) White Frost	66	12	*Silver	*Gold	*Orange/Yellow	Gold
RED, APPLE/Black, Midnight	72	19	*Silver	Red	Silver	*Red
RED, APPLE/Silver (Met)	72	17	*Red	Red	Red	*Red
RED, APPLE/White, Frost	72	12	*Silver	Silver	*Silver	*Gold
RED, CINNAMON/Black, Midnight	71	19	*Silver	*Red	Silver	*Red
RED, CINNAMON/White, Frost	71	12	*Silver	*Red	Red	*Gold
SAND, DESERT (MET)/Black, Midnight	64	19	*Gold	*Gold	*Orange/Yellow	Gold
SAND, DESERT (MET)/White, Frost	64	12	*Gold	*Gold	*Gold	Gold
SILVER (MET)/Black, Midnight	17	19	*Blue	Red	Red	*Silver
SILVER (MET)/Blue, Galaxy (Met)	17	28	Blue	*Silver	*Silver	*Silver
SILVER (MET)/Red, Apple	17	72	*Silver	Red	Silver	*Silver
SILVER MET/White, Frost	17	12	Blue	Red	Red	*Red
TAN, DOESKIN/Black, Midnight	61	19	*Gold	*Red	*Gold	Gold
TAN, DOESKIN/Sand, Desert (Met)	61	64	*Gold	*Orange/Yellow	*Orange/Yellow	Orange/Yellow
TAN, DOESKIN/White, Frost	61	12	*Gold	*Red	*Orange/Yellow	Gold
WHITE, FROST/Black, Midnight	12	19	Blue	Red	Red	*Red
WHITE, FROST/Blue, Galaxy (Met)	12	28	Blue	*Blue	*Blue	*Blue
WHITE, FROST/Red, Apple	12	72	*Silver	Silver	*Silver	*Gold
WHITE, FROST/Sand, Desert (Met)	12	64	*Orange/Yellow	Orange/Yellow	Orange/Yellow	Orange/Yellow
WHITE, FROST/Silver (Met)	12	17	Blue	Red	Red	*Red

*Stripe color/trim color combination available but not recommended.

S-10/15 PICKUP 2- & 4-WHEEL DRIVE

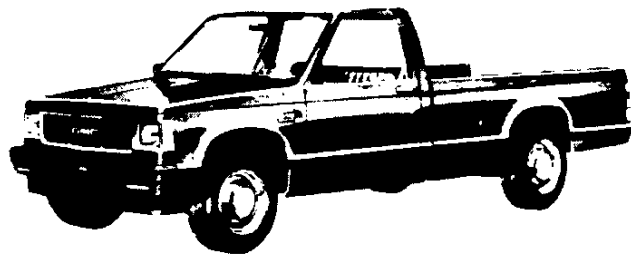
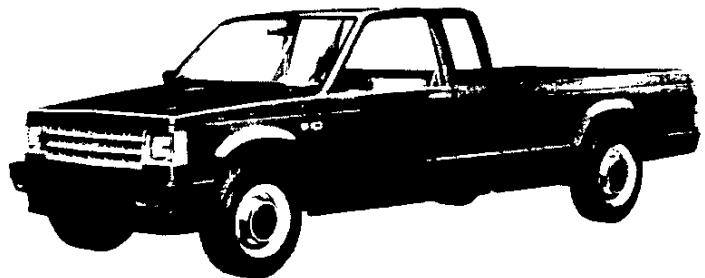
SOLID AND TWO-TONE* EXTERIOR COLOR COMBINATIONS

The application of paint for solid and two-tone exterior color combinations is shown below



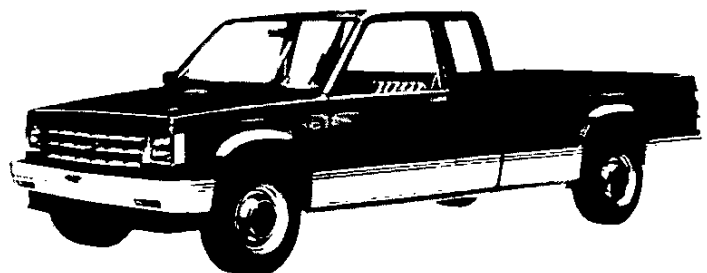
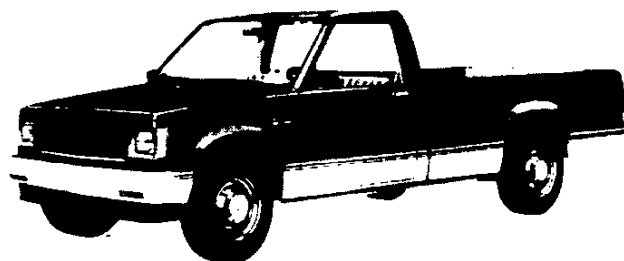
SOLID COLOR

Solid paint (ZY1) is standard on all models (except Sport/Gypsy). All painted areas of the cab, front end sheet metal, and box are the same color. Tailgate lettering for base and Durango/High Sierra models is silver when Galaxy Blue, Indian Bronze, Midnight Black, or Apple Red exterior colors are specified and black for all other exterior colors.



SPORT TWO-TONE

Sport two-tone paint (ZY7), which provides a lower accent two-tone scheme, is available on base, Durango/High Sierra and Tahoe/Sierra Classic models, and is included when the Sport/Gypsy Model Option (YC3) is ordered (unless ZY6 Custom two-tone is ordered). When ordered on base models, Painted Front Bumper (VT3) or Chromed Front Bumper (VG3) must be ordered. A wide, four stripe decal is included on base and Durango/High Sierra models, and is applied below the lower styling crease lines. The decal color matches the secondary paint choice, and is applied over the paint break line in such a way that the primary color paint shows through the clear areas to contrast with the decal colors. The primary color choice is applied to the areas above the bottom stripe of the decal, and the secondary color is applied to the areas below the decal. RPO B84 Body Side Moldings may be ordered with ZY7 on base and Durango/High Sierra models, if desired (at extra cost), and will replace the striping decal. Tailgate lettering for base and Durango/High Sierra models is silver when Galaxy Blue, Indian Bronze, Midnight Black, or Apple Red exterior colors are specified and black for all other exterior colors.



*Optional at extra cost

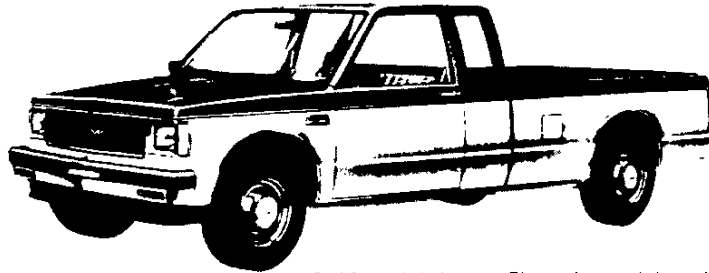
S-10/15 PICKUP 2- & 4-WHEEL DRIVE

SOLID AND TWO-TONE* EXTERIOR COLOR COMBINATIONS

The application of paint for solid and two-tone exterior color combinations is shown below

CUSTOM TWO-TONE

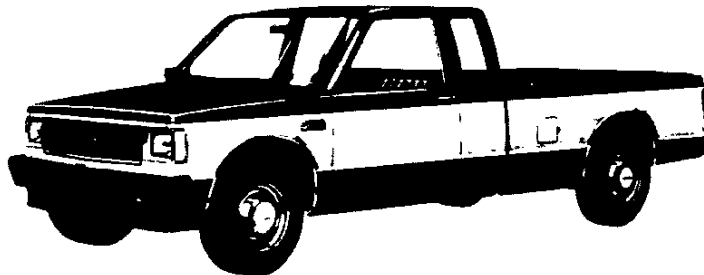
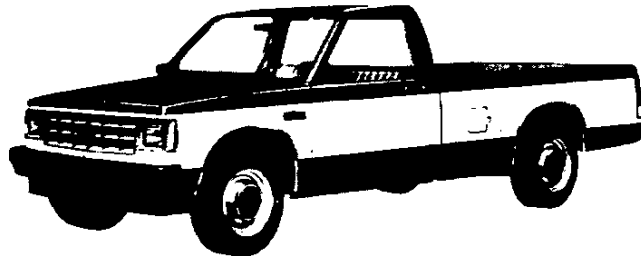
Custom two-tone paint (ZY6) is available on all models. When ordered on base models, Painted Front Bumper (VT3) or Chromed Front Bumper (VG3) must be ordered. The areas above the belt styling crease line are painted the primary paint color. The areas below that line are painted the secondary color. A color-keyed decal stripe is applied at the belt styling crease line to cover the paint break (See color stripe chart on page N). Tailgate lettering for base and Durango/High Sierra models is silver when Galaxy Blue, Indian Bronze, Midnight Black, or Apple Red secondary exterior colors are specified and black for all other secondary colors.



GMC model shown (Chevrolet model available)

SPECIAL TWO-TONE

Special two-tone paint (ZY8), which provides a mid-accnt two-tone scheme, is available on base, Durango/High Sierra and Tahoe/Sierra Classic models. When ordered on base models, Painted Front Bumper (VT3) or Chromed Front Bumper (VG3) must be ordered. B84 body side and wheel opening moldings are included (except on Tahoe/Sierra Classic models where already included) which are applied below the lower styling crease lines. The areas below the molding and above the belt styling crease line are painted the primary paint color. The areas between the molding and the belt styling crease line are painted the secondary color. Tailgate lettering for base and Durango/High Sierra models is silver when Galaxy Blue, Indian Bronze, Midnight Black, or Apple Red secondary exterior colors are specified and black for all other secondary colors.



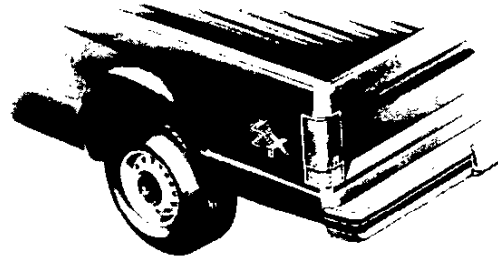
*Optional at extra cost

S-10/15 PICKUP

EXTERIOR DECOR STRIPING PACKAGES

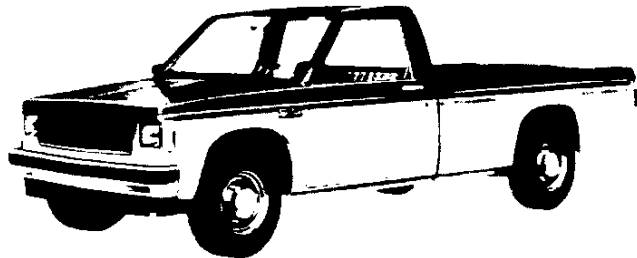
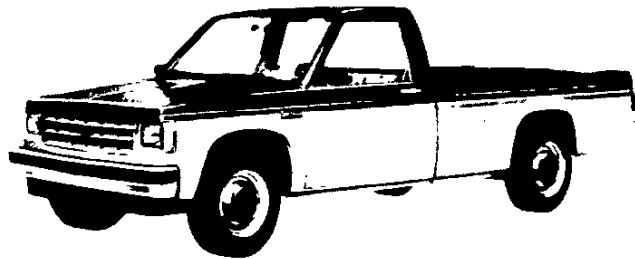
4x4 I.D. EXTERIOR DECOR

RPO YJ3 4x4 I.D. Exterior Decor. This package consists of tri-colored 4x4 decals applied to the upper rear corner of each side of the pickup box. It is available on all 4x4 S-10 pickup models. The standard 4x4 emblem located on the B pillar is deleted. Not available when RPO D90 Sunshine Striping is ordered.



SUNSHINE STRIPING

RPO D90 Sunshine Striping. Sunshine Striping consists of 4 bold stripes along the full length of the vehicle and across the tailgate. The stripes are available on all S-10/15 pickup models in four colors to contrast or complement the exterior paint color choice. See the Interior and Exterior Color Availability Chart headed: With D90 Sunshine Striping for available combinations. The stripes vary in color density; the top stripe is completely opaque and each of the three remaining stripes is less opaque than the one above it, allowing the exterior paint color to show through more and more in each succeeding stripe until the bottom stripe actually has just a hint of color in it, creating a very dramatic effect. Sunshine Striping is available with ZY1 solid paint or with ZY6 Custom Two-Tone paint. When ordered with ZY6, the top stripe color exactly matches the primary color choice. Not available with B84 Body Side Moldings or with YJ3 4x4 I.D. decals. Wheel opening moldings (either B74 Black Plastic or B96 Bright Aluminum) YC2 Tahoe/Sierra Classic or YC3 Sport/Gypsy must be ordered.



OPTIONAL STRIPING

Optional Striping is available on S-10/15 pickup model only when ZY1 Solid Paint is ordered. The striping is the same as that included with ZY7 Sport Two-Tone Paint, and consists of 4 decal stripes applied below the lower styling crease lines. The striping is available in 6 colors to contrast or complement the exterior paint color. See the Interior and Exterior Color Availability Chart headed: Without D90 Sunshine Striping for available combinations. Not available with B84 Body Side and Wheel Opening Moldings or YC3 Sport/Gypsy Equipment.

