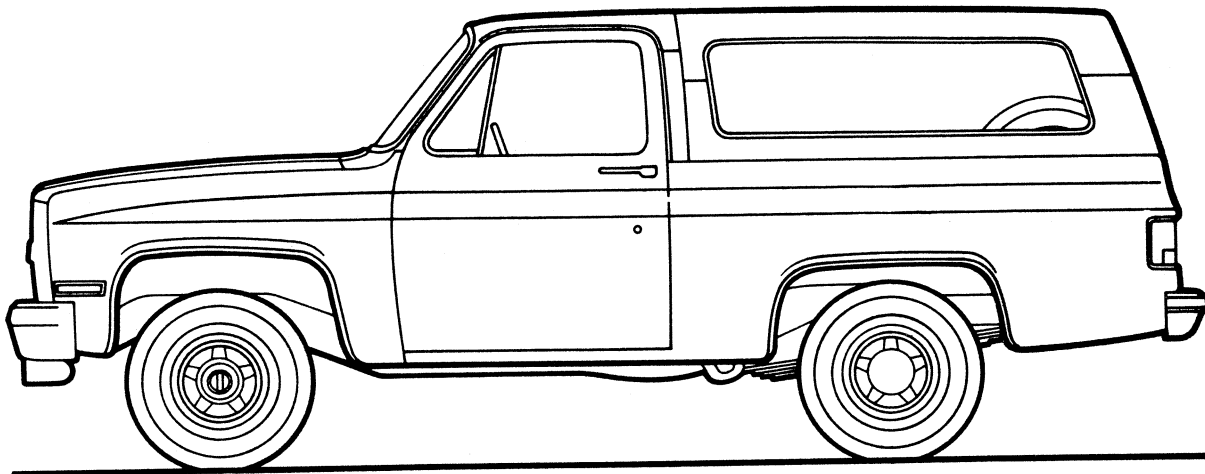


# K BLAZER/JIMMY

## BLAZER/JIMMY MODEL SELECTOR

2731BLAZ-86



### HARDTOP

SERIES	MODEL NUMBER	BODY ORDERING CODE	
		GASOLINE MODELS	DIESEL MODELS
<b>K10/1500</b> (4X4)	K10516	ZW9	ZW9/B3J

**GASOLINE**

**K BLAZER/JIMMY  
STANDARD SPECIFICATIONS**

(See Gray Tab Section for Specification Details)

<b>Series</b>	<b>K10/1500</b>
<b>Engine</b>	
<b>Base Equip.</b> .....	5.0 Liter, 305 4-bbl V8
<b>Clutch</b> .....	11"; 124 sq. in.
<b>Air Filter</b> .....	Oiled-paper Element
<b>Oil Filter</b> .....	Throwaway Type
<b>Exhaust System</b> .....	Single; Aluminized
<b>Emission Control Systems</b> .....	See Engine & Cooling Section for specific model applications
<b>Suspension, Front</b>	
<b>Type</b> .....	Hypoid Driving Axle
<b>Axle Capacity</b> .....	Leaf Springs
<b>Axle Ratio</b> .....	3600 lb.
<b>Springs @ Ground</b> .....	2.73
<b>Shock Absorbers</b> .....	1650 lb. ea.
<b>Stabilizer Bar</b> .....	25mm dia.
<b>Hubs, Manual Locking</b> .....	1.25" dia.
	Standard
<b>Suspension, Rear</b>	
<b>Type</b> .....	Salisbury Axle; Hypoid Drive; Two-stage Multi-leaf Springs
<b>Axle Capacity</b> .....	Leaf Springs
<b>Axle Ratio</b> .....	3750 lb.
<b>Springs @ Ground</b> .....	2.73
<b>Shock Absorbers</b> .....	1875 lb. ea.
	25mm dia.
<b>Brakes</b>	
<b>Front</b> .....	Hydraulic; Self-adjusting
<b>Rear</b> .....	Disc; 11.86" Rotor
<b>Booster</b> .....	Drum; 11.15" x 2.75"
<b>Parking</b> .....	Dual Diaphragm
	Cable to Rear Wheels
<b>Electrical</b>	
<b>Battery—Freedom Type</b> .....	12 Volt; Negative Ground
<b>—Reserve Capacity</b> .....	405 CCA ♦ @ 0°F.
<b>Delcotron Generator</b> .....	75 min. @ 80°F.
	37 amp.
<b>Frame</b>	
<b>Section Modulus</b> .....	Carbon Steel; 36,-39,000 psi
	3.14
<b>Fuel Tank (nominal capacity)</b> .....	25 gal.
<b>Steering Gear Type</b> .....	Integral Power
<b>Transmission</b>	
<b>Shift Location</b> .....	4-Speed Manual (SM 465)
	Floor
<b>Transfer Case</b>	
<b>Shift Lever</b> .....	New Process 208 2-Speed
	Single Lever
<b>Tires</b> .....	(5) P215/75R15 All Seasons Steel Belted Radial
<b>Wheels</b> .....	(5) Disc, 15" x 6"

♦ CCA-Cold Cranking Amps

# K BLAZER/JIMMY

## STANDARD SPECIFICATIONS

**DIESEL**

(See Gray Tab Section for Specification Details)

Series	★K10/1500
<b>Engine</b> <b>Base Equip.</b> ..... <b>Clutch</b> ..... <b>Air Filter</b> ..... <b>Oil Filter</b> ..... <b>Oil Cooler</b> ..... <b>Exhaust System</b> ..... <b>Emission Control Systems</b> .....	6.2 Liter, 379 Cu. In. V8 Diesel 12"; 150 sq. in. Poly-wrapped, Oiled-paper Element Thruway Type Standard Dual; Aluminized See Engine & Cooling Section for specific model applications
<b>Suspension, Front</b> ..... <b>Type</b> ..... <b>Axle Capacity</b> ..... <b>Axle Ratio</b> ..... <b>Springs @ Ground</b> ..... <b>Shock Absorbers</b> ..... <b>Stabilizer Bar</b> ..... <b>Hubs, Manual Locking</b> .....	Hypoid Driving Axle - Leaf Springs 3600 lb. 3.08 1850 lb. ea. 25mm dia. 1.25" dia. Standard
<b>Suspension, Rear</b> ..... <b>Type</b> ..... <b>Axle Capacity</b> ..... <b>Axle Ratio</b> ..... <b>Springs, Main @ Ground</b> ..... <b>Shock Absorbers</b> .....	Salisbury Axle; Hypoid Drive; Two-stage Multi-leaf Springs Leaf Springs 3750 lb. 3.08 1875 lb. ea. 25mm dia.
<b>Brakes</b> ..... <b>Front</b> ..... <b>Rear</b> ..... <b>Booster</b> ..... <b>Parking</b> .....	Hydraulic; Self-adjusting Disc; 11.86" Rotor Drum; 11.15" x 2.75" Hydraulic Power Cable to Rear Wheels
<b>Electrical</b> ..... <b>Battery - Freedom Type</b> ..... - Reserve Capacity ..... <b>Delcotron Generator</b> ..... <b>Engine Block Heater</b> .....	12 Volt; Negative Ground Two; 550 CCA ♦ ea. @ 0°F. 115 min. ea. @ 80°F. 66 amp. 600 watts, 120 volts
<b>Frame</b> ..... <b>Section Modulus</b> .....	Carbon Steel; 36,-39,000 psi 3.14
<b>Fuel Tank (nominal capacity)</b> .....	27 gal.
<b>Steering Gear Type</b> .....	Integral Power
<b>Transmission</b> ..... <b>Shift Location</b> .....	4-Speed Automatic w/Overdrive Steering Column
<b>Transfer Case</b> ..... <b>Shift Lever</b> .....	New Process 208 2-Speed Single Lever
<b>Tires</b> .....	(5) P215/75R15 All Seasons Steel Belted Radial
<b>Wheels</b> .....	(5) Disc, 15" x 6"

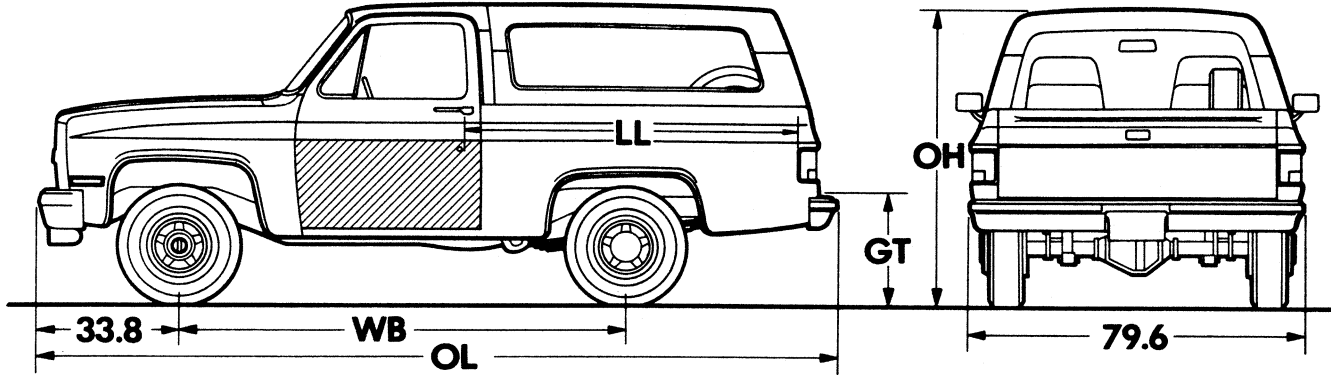
★Not available for registration in State of California

♦CCA-Cold Cranking Amps

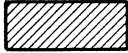
**GASOLINE**

# K BLAZER/JIMMY

Body Ordering Code: ZW9



**Sign Panel Area (side)**  
22" x 39½"



Series	Ground Clearance (in)*	
	Front	Rear
K1	6.9	7.1

## K10/1500 SERIES

Model	Engine No. Cyl.	Dimensions (in)*					Curb Weight (lb)			Model Weight (lb)*		
		WB	LL	OL	OH	GT	Front	Rear	Total	Front	Rear	Total
<b>K10516</b>	8	106.5	76.6	184.8	73.8	32.1	2331	2084	4415	2464	2251	4715

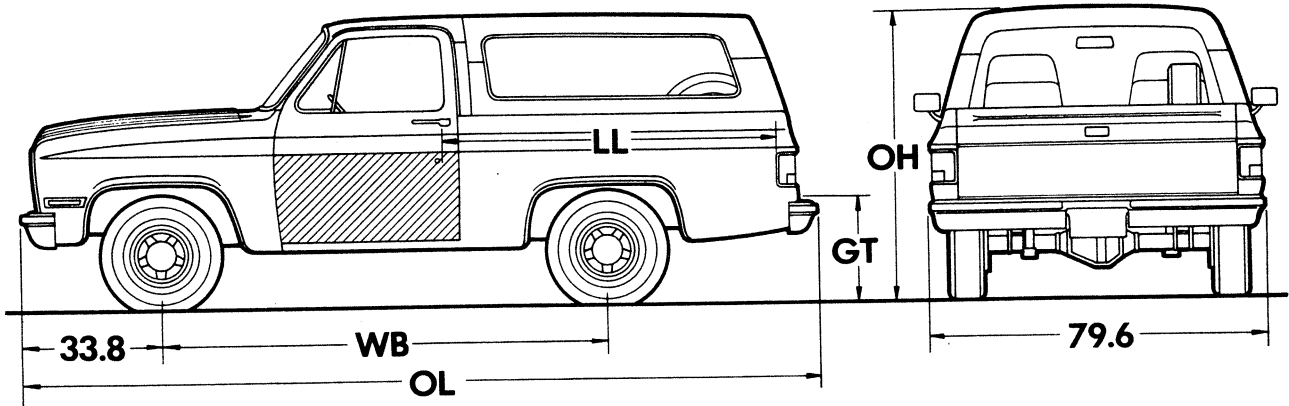
\*Dimensions with standard equipment, unloaded.

\*Model Weight includes Curb Weight plus occupants (standard seating capacity x 150 lb). Total Model Weight may vary as much as ± 50 lbs. to allow for production build variation.

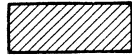
# K BLAZER/JIMMY

Body Ordering Code: ZW9/B3J

**DIESEL**



**Sign Panel Area (side)**  
22" x 39½"



Series	Ground Clearance (in)*	
	Front	Rear
K1	6.9	7.1

## K10/1500 SERIES

Model	Engine No. Cyl.	Dimensions (in)*					Curb Weight (lb)			Model Weight (lb)*		
		WB	LL	OL	OH	GT	Front	Rear	Total	Front	Rear	Total
<b>K10516</b>	8	106.5	76.6	184.8	73.8	32.1	2630	2160	4790	2763	2327	5090

\*Dimensions with standard equipment, unloaded.

\*Model Weight includes Curb Weight plus occupants (standard seating capacity x 150 lb). Total Model Weight may vary as much as ± 50 lbs. to allow for production build variation.

# K BLAZER/JIMMY

## POWER TEAMS—ALL STATES

### POWER TEAMS (MUST ORDER ENGINE, TRANSMISSION AND REAR AXLE) (Consult GVWR Selector and Tire Chart to insure tire capacity and availability)

ENGINE	TRANSMISSION		AXLES				GVWR
	4-SP	AUTO	2.73	3.08	3.42	3.73	
<b>W/NA5 STANDARD or NA6 HIGH ALTITUDE EMISSIONS</b>							
LE9 V8 5.0 Liter (305-4BBL)	MM4		%GQ1	%GU4	—	#GT4	6100
		MX0	—	GQ1	GU6	*GT4	6100
LH6 Diesel 6.2 Liter V8 (379 Cu In)(Reqs B3J)		MX0	—	GQ1	GU6	*GT4	61/6250
<b>W/YF5 CALIFORNIA EMISSION REQUIREMENTS</b>							
LS9 V8 5.7 Liter (350-4BBL)		MX0	GQ1	GU4	—	—	6100

#Reqs NA6 High Altitude Emissions

\*Reqs Z82 Trailing Special or NA6 High Altitude Emission

%W/NA6 High Altitude Emissions Base Rear Axle is 3.08;

2.73 Rear Axle is Not Available

## ENGINE RATINGS

### ALL STATES EXCEPT CALIFORNIA

SAE Net Ratings	5.0 Liter 305 4-bbl V8	6.2 Liter 379 V8 Diesel
Net Horsepower . .	160 @ 4400 rpm	130 @ 3600 rpm
Net Torque, lb-ft . .	235 @ 2000 rpm	240 @ 2000 rpm

### CALIFORNIA ONLY

SAE Net Rating	5.7 Liter 350 4-bbl V8
Net Horsepower . .	165 @ 3800 rpm
Net Torque, lb-ft . .	275 @ 1600 rpm

# K BLAZER/JIMMY

## GVWR SELECTOR—ALL STATES

### K10/1500 SERIES

GVW Rating (lbs)	†GAWR (lbs)		Minimum Equipment Required for GVW Rating		
	Front	Rear	Tire Capacity (lbs ea)		Chassis Equipment
			Front	Rear	
<b>6100</b>	3166	3166	1583	1583	Standard
<b>■6250</b>	3550	3550	1775	1775	Standard

†GAWR's shown are the maximum for each axle with equipment listed. Other GAWR's are available, and they are determined as the minimum capacity of either axle, springs or tires.

■Diesel engine models only.

## FRONT AND REAR TIRE AVAILABILITY CHART—ALL STATES

### K10/1500 SERIES

**Spare tire to match either front or rear tires must be ordered**  
**Must order matching front and rear tread**

Description	Capacity (lbs ea)	Highway		On-Off Road		Spare
		Front	Rear	Front	Rear	
<b>TUBELESS</b>						
<b>P215/75R15</b> Steel Belted Radial	1583	XCU	YCU	—	—	ZCU
<b>P215/75R15</b> Whitewall Steel Belted Radial	1583	XCV	YCV	—	—	ZCV
<b>P235/75R15</b> Steel Belted Radial	1843	XFL —	YFL —	XES	YES	ZFL ZES
<b>P235/75R15</b> Whitewall Steel Belted Radial	1843	XFM	YFM	—	—	ZFM
<b>P235/75R15</b> White Lettered Steel Belted Radial	1843	XFN	YFN	—	—	ZFN
* <b>31 x 10.50R15LT/B</b> Steel Belted Radial	1775	—	—	XUY	YUY	ZUY
* <b>31 x 10.50R15LT/B</b> White Lettered Steel Belted Radial	1775	—	—	XUZ	YUZ	ZUZ

\*Requires N67, N90 or PA6 wheels.

## **K BLAZER/JIMMY**

### **THE FOLLOWING EQUIPMENT IS STANDARD ON DIESEL ENGINE MODELS (ALSO SEE STANDARD SPECIFICATIONS PAGES)**

- Low Coolant Sensor
- Poly-wrapped Paper Element Air Cleaner
- Engine Block Heater
- Power Steering
- MXO 4-speed Automatic Transmission (with over-drive)
- Water/fuel separator unit which incorporates a water sensor and sending unit, a fuel filter, a fuel heater and water drain capability
- Hydraulic Power-assisted Brakes
- K81 66-amp Generator
- Engine Oil Cooler (located in radiator tank)
- Dual 550 Cold Cranking Amp/115 min. Reserve Capacity Batteries
- HD Radiator
- Dual Exhaust System
- Additional Insulation:
  - Cab-to-fender insulators
  - Fiberglass hood insulator
  - Fiberglass engine compartment firewall insulator
  - Cowl side spray-on deadener
  - Driver compartment dash mat with increased mastic layer
  - Resinated cotton and mastic floor insulation
  - Full cowl interior trim panels with resinated cotton insulation
- Warning Lights: Glow Plugs, Water-in-fuel (or fuel filter), and Low Coolant
- Diesel Engine Identification:
  - Hood ornament
  - Fender nameplates
  - Tailgate nameplate
  - “Diesel Fuel Only” filler cap and label
- HD (1850-lb. ea.) Front Springs



# K BLAZER

## 1986 VEHICLES WITH STANDARD EQUIPMENT

Prices shown are effective with initial shipments of 1986 model motor vehicles

Description	Model Number	Body Code	Wheel Base	Factory D&H(a)	List Price	Mfr's Suggested Retail Price★	Group Number
◆ 8-Cylinder 5.0 Liter (305 Cu. In.) 4 BBL V8 Gasoline Engine-Engine Ordering Code LE9							
<b>K10 Series 4-Wheel Drive</b>							
Utility .....	CK10516	ZW9	106.5"	N.A.	12034.00	12034.00	17
◆ 8-Cylinder 6.2 Liter (379 Cu. In.) L.D. Diesel V8 Engine-Engine Ordering Code LH6							
<b>K10 Series 4-Wheel Drive</b>							
Utility .....	CK10516	ZW9 & B3J	106.5"	N.A.	14898.00	14898.00	17

- ★ Manufacturer's Suggested Retail Prices do not include applicable destination charges, state and local taxes, license fees, optional equipment or special items or services.  
 ◆ Refer to Dealer Order Guide for California Requirements.

## OPTIONS WHEN INSTALLED BY GENERAL MOTORS

Prices shown are effective with initial shipments of 1986 model motor vehicles

Description	Option Number	Factory D&H(a)	List Price	Mfr's Suggested Retail Price◇
<b>Silverado/Sierra Classic:</b> (See Interior and Exterior Color Selection Chart) With custom cloth or custom vinyl seats only. Includes custom steering wheel, YG3 Deluxe Molding Package, taillight and rear door or tailgate moldings, bright front turn signal and front side marker lamp bezels, fender nameplates, bright windshield and rear side window moldings, color-keyed carpeting with bright sill plates, plastic door trim panels with storage pockets and bright brushed-finish accents, visor vanity mirror, V22 Deluxe Front Appearance, dual horns, nameplate on instrument panel, U37 Cigarette Lighter, BB5 Headliner, wheel opening moldings, special insulation, B85 Bright Body Side Moldings, pillar trim panels, stowage console between front seats, floor and wheelhouse carpeting, spare tire cover and Z53 Voltmeter, Temperature and Oil Pressure Gages				
	YE9	N.A.	1015.00	1015.00
<b>Seat Trim:</b> High Back Bucket Seats Driver and Passenger. (See Interior and Exterior Color Selection Chart for availability and ordering information.)				
V**4 Vinyl Bucket. Not available when YE9 is specified. ...	...	NO ADDITIONAL CHARGE		
X**4 Custom Vinyl Bucket. Includes color-keyed carpeting.				
Without YE9. Includes stowage console between front seats.				
Without AM7 Rear Seat .....	...	N.A.	200.00	200.00
With AM7 Rear Seat .....	...	N.A.	250.00	250.00
With YE9.				
Without AM7 Rear Seat .....	...	NO ADDITIONAL CHARGE		
With AM7 Rear Seat .....	...	N.A.	50.00	50.00
L**4 Custom Cloth Bucket. Available only when YE9 is specified.				
Without AM7 Rear Seat .....	...	NO ADDITIONAL CHARGE		
With AM7 Rear Seat .....	...	N.A.	50.00	50.00
<b>Paints, Exterior:</b> (See Interior and Exterior Color Selection Chart for Ordering Information and Paint Application).				
Solid .....	ZY1	NO ADDITIONAL CHARGE		
<b>Special Two-Tone.</b>				
Without YE9. Includes YG1 Custom Molding Package and wheel opening moldings .....	ZY3	N.A.	327.00	327.00
With YE9 .....	ZY3	N.A.	170.00	170.00
<b>Exterior Decor Package.</b> Includes hood ornament.				
Without YE9. Includes YG1 Custom Molding Package and wheel opening moldings .....	ZY5	N.A.	471.00	471.00
With YE9 .....	ZY5	N.A.	314.00	314.00

- (a) D & H Charges on vehicle and optional equipment include reimbursement to ordering Division for any tax that it has paid, incurred or agreed to pay thereon.  
 ◇ State and local taxes not included.

# K BLAZER/JIMMY

## OPTIONS WHEN INSTALLED BY GENERAL MOTORS

Prices shown are effective with initial shipments of 1986 model motor vehicles

Description	Option Number	Factory D&H(a)	List Price	Mfr's Suggested Retail Price◇
<b>Emission Systems:</b> Dealer Note – One of the following emission options must be specified.				
<i>California Emission Requirements: (See Power Teams Charts for availability and complete specifications)</i> Includes all testing, equipment and/or certification necessary for registration in the State of California. Not available when NA6 High Altitude or NA5 Standard Emissions is specified.				
High Altitude Emission Equipment. Not available when YF5 California or NA5 Standard Emissions is specified . . . . .	YF5	N.A.	235.00	235.00
Standard Emission Equipment . . . . .	NA6 NA5	NO ADDITIONAL CHARGE NO ADDITIONAL CHARGE		
<b>Engines:</b> (See Power Teams Chart for availability and complete specifications)				
Gasoline.				
5.0 Liter (305 Cu. In.) 4 BBL V8 . . . . .	LE9	NO ADDITIONAL CHARGE		
5.7 Liter (350 Cu. In.) 4 BBL V8. Available only when YF5 California Emissions is specified . . . . .	LS9	N.A.	340.00	340.00
Diesel.				
6.2 Liter (379 Cu. In.) L.D. V8 Diesel. Available only when B3J Diesel Equipment and MX0 Automatic Transmission are specified. Not available when YF5 California Emission Requirements is specified . . . . .	LH6	NO ADDITIONAL CHARGE		
<b>Transmissions:</b> (See Power Teams Chart for availability and complete specifications)				
4-Speed Manual. Not available when B3J Diesel Equipment or LS9 5.7 Liter Engine is specified . . . . .	MM4	NO ADDITIONAL CHARGE		
4-Speed Automatic with Overdrive. Standard on B3J Diesel Equipment . . . . .	MX0	N.A.	695.00	695.00
<b>Axles:</b> (See Power Teams Chart for availability and complete specifications)				
Optional Ratio . . . . .	...	N.A.	36.00	36.00
Locking Differential . . . . .	G80	N.A.	238.00	238.00
<b>Tires:</b> (See Tire Charts for Tire Availability) All rim sizes are 6.00" except when N67, N90 and PA6 Wheels are specified.				
TUBELESS				
P215/75R15 All-Seasons Steel Belted Radial Ply Blackwall (Maximum Capacity 1583-lbs)				
Front (Standard) . . . . .	XCU	NO ADDITIONAL CHARGE		
Rear (Standard) . . . . .	YCU	NO ADDITIONAL CHARGE		
Spare (Standard) . . . . .	ZCU	NO ADDITIONAL CHARGE		
P215/75R15 All Seasons Steel Belted Radial Ply Whitewall (Maximum Capacity 1583-lbs).				
Front . . . . .	XCV	N.C.	28.00	28.00
Rear . . . . .	YCV	N.C.	28.00	28.00
Spare . . . . .	ZCV	N.C.	14.00	14.00
P235/75R15 All Seasons Steel Belted Radial Ply Blackwall (Maximum Capacity 1843-lbs)				
Front . . . . .	XFL	N.C.	50.00	50.00
Rear . . . . .	YFL	N.C.	50.00	50.00
Spare . . . . .	ZFL	N.C.	25.00	25.00
P235/75R15 On-Off Road Steel Belted Radial Ply Blackwall (Maximum Capacity 1843-lbs)				
Front . . . . .	XES	N.C.	70.00	70.00
Rear . . . . .	YES	N.C.	70.00	70.00
Spare . . . . .	ZES	N.C.	35.00	35.00
P235/75R15 All Seasons Steel Belted Radial Ply Whitewall (Maximum Capacity 1843-lbs)				
Front . . . . .	XFM	N.C.	84.00	84.00
Rear . . . . .	YFM	N.C.	84.00	84.00
Spare . . . . .	ZFM	N.C.	42.00	42.00
P235/75R15 All Seasons Steel Belted Radial Ply White Lettered (Maximum Capacity 1843-lbs)				
Front . . . . .	XFN	N.C.	96.00	96.00
Rear . . . . .	YFN	N.C.	96.00	96.00
Spare . . . . .	ZFN	N.C.	48.00	48.00

(a) D & H Charges on vehicle and optional equipment include reimbursement to ordering Division for any tax that it has paid, incurred or agreed to pay thereon.  
◇ State and local taxes not included.

# K BLAZER/JIMMY

## OPTIONS WHEN INSTALLED BY GENERAL MOTORS

Prices shown are effective with initial shipments of 1986 model motor vehicles

Description	Option Number	Factory D&H(a)	List Price	Mfr's Suggested Retail Price ◇
<b>Tires: (Continued)</b>				
<i>31 x 10.50R/15LTB On-Off Road Steel Belted Radial Ply Blackwall.</i>				
(Maximum Capacity 1775-lbs)				
Available only when N67, N90 or PA6 Wheels are specified				
Front .....	XUY	.20	226.00	226.20
Rear .....	YUY	.20	226.00	226.20
Spare .....	ZUY	.10	113.00	113.10
<i>31 x 10.50R/15LTB On-Off Road Steel Belted Radial Ply White Lettered.</i>				
(Maximum Capacity 1775-lbs)				
Available only when N67, N90 or PA6 Wheels are specified				
Front .....	XUZ	.20	288.00	288.20
Rear .....	YUZ	.20	288.00	288.20
Spare .....	ZUZ	.10	144.00	144.10

### OTHER OPTIONS

<b>Air Cleaner, Pre-Cleaner</b> .....	K46	N.A.	42.00	42.00
<b>Air Conditioning:</b> <i>All-Weather.</i> Not available when V10 Cold-Climate Package is specified. Includes extra cooling.				
Without B3J Diesel Equipment. Also includes K81 66-Amp Generator .....				
	C60	N.A.	740.00	740.00
With B3J Diesel Equipment .....				
	C60	N.A.	678.00	678.00
<b>Appearance, Deluxe Front:</b> Includes dark argent grille with bright trim and dual rectangular headlamps. Included when YE9 is specified .....				
	V22	N.A.	109.00	109.00
<b>Battery:</b> <i>Heavy-Duty.</i> 515 Cold Cranking Amps Delco Freedom. Not available when B3J Diesel Equipment is specified. Included when V10 Cold-Climate Package is specified .....				
	UA1	N.A.	53.00	53.00
<b>Bumper Equipment:</b>				
<i>Bumpers, Deluxe Chromed.</i> Front and Rear. Not available when V31 Bumper Guards are specified. Includes black resilient impact strips .....				
	VE5	N.A.	49.00	49.00
<i>Guards, Chromed. Front Bumper</i> .....				
	V31	N.A.	41.00	41.00
<b>Clock:</b> <i>Quartz Electric</i> Not available when UM6 Radio is specified				
Without YE9. Includes Z53 Voltmeter, Temperature and Oil Pressure Gages .....				
	U35	N.A.	79.00	79.00
With YE9 .....				
	U35	N.A.	39.00	39.00
<b>Cold-Climate Package:</b> Not available when C60 Air Conditioning or B3J Diesel Equipment is specified. Includes special insulation special heater and defroster, K05 Engine Block Heater, anti-freeze protection to -32 degrees and UA1 H.D. Battery.				
Without Z82 Trailering Special. Also includes K81 66-Amp Generator .....				
	V10	N.A.	188.00	188.00
With Z82 Trailering Special .....				
	V10	N.A.	126.00	126.00
<b>Cooling Systems:</b>				
<i>Engine Oil.</i> Not available when B3J Diesel Equipment is specified. Included when Z82 Trailering Special is specified .....				
	KC4	N.A.	120.00	120.00
<i>Radiator, Heavy-Duty.</i> Not available when C60 Air Conditioning or B3J Diesel Equipment is specified .....				
	V01	N.A.	53.00	53.00
<i>Radiator and Transmission Oil, Heavy-Duty.</i> Not available when MM4 4-Speed Transmission or V01 H.D. Radiator is specified. Included when Z82 Trailering Special is specified.				
	V02	N.A.	59.00	59.00
<b>Door Lock System, Power:</b> Included when ZQ2 Operating Convenience Package is specified .....				
	AU3	N.A.	135.00	135.00
<b>Floor Covering:</b> <i>Mats, Color-Keyed Floor. Removable</i>				
Available only when Custom Vinyl or Cloth Interior is specified				
Front .....	B32	N.A.	15.00	15.00
1 Piece. Rear .....	B33	N.A.	20.00	20.00

(a) D & H Charges on vehicle and optional equipment include reimbursement to ordering Division for any tax that it has paid, incurred or agreed to pay thereon.

◇ State and local taxes not included.

# K BLAZER/JIMMY

## OPTIONS WHEN INSTALLED BY GENERAL MOTORS

Prices shown are effective with initial shipments of 1986 model motor vehicles

Description	Option Number	Factory D&H(a)	List Price	Mfr's Suggested Retail Price◇
<b>OTHER OPTIONS</b>				
<b>Gages:</b> Voltmeter, Temperature and Oil Pressure. Included when YE9 or U35 Electric Clock is specified	Z53	N.A.	40.00	40.00
<b>Generator:</b> 66-Amp Delcotron. Included when B3J Diesel Equipment, Z82 Trailing Special, V10 Cold-Climate Package or C60 Air Conditioning is specified	K81	N.A.	62.00	62.00
<b>Glass:</b>				
<i>Deep Tinted.</i> Includes dark laminated glass on side windows and rear tailgate glass	AJ1	N.A.	194.00	194.00
<i>Deep Tinted with Light Tinted Rear Window.</i> Includes tinted glass on rear tailgate glass, passenger and driver's side door. Also includes dark laminated glass on side windows. Included when AJ1 Deep Tinted Glass is specified	AA3	N.A.	140.00	140.00
<b>Harness, Wiring:</b> Trailer, Heavy-Duty, 7-lead. Included when Z82 Trailing Special is specified	UY7	N.A.	44.00	44.00
<b>Headlamps:</b> Halogen Hi-Beam. Available only when V22 Deluxe Front Appearance Package or YE9 is specified.	TT5	N.A.	17.00	17.00
<b>Headlamp Warning Buzzer</b>	T63	N.A.	11.00	11.00
<b>Headliner, Interior:</b> Included when YE9 is specified	BB5	N.A.	80.00	80.00
<b>Heaters:</b>				
<i>Engine Block.</i> 600 Watts, 120 Volts. Not available when B3J Diesel Equipment is specified. Included when V10 Cold-Climate Package is specified	K05	N.A.	31.00	31.00
<i>Heavy Duty, Front.</i> Available only when B3J Diesel Equipment is specified. Not available when C60 Air Conditioning is specified	C42	N.A.	43.00	43.00
<b>Hubs, Automatic Locking</b>	X6Z	N.A.	40.00	40.00
<b>Lighter, Cigarette:</b> Included when YE9 is specified	U37	N.A.	30.00	30.00
<b>Mirrors, Exterior:</b> LH and RH				
<i>Below-Eye-Line Type.</i> 9" x 6.5"				
<i>Painted</i>	D44	N.A.	50.00	50.00
<i>Stainless Steel</i>	D45	N.A.	83.00	83.00
<b>Moldings:</b>				
<i>Body Side, Black.</i> Bright with black insert. Not available when B85 Bright Body Side Moldings, YG3 Deluxe Molding Package or YE9 is specified. Includes lower side and rear moldings of black plastic with bright trim. Included when YG1 Custom Molding Package, ZY3 Special Two-Tone Paint or ZY5 Exterior Decor Package is specified	B84	N.A.	115.00	115.00
<i>Body Side, Bright.</i> Not available when ZY3 Special Two-Tone Paint, ZY5 Exterior Decor Package, B84 Black Body Side Moldings or YG1 Custom Molding Package is specified. Includes bright plastic body side and rear lower moldings with black paint trim, plus bright trim for front side marker lamps and taillights, fender, door, rear side panel and tailgate moldings. Included when YG3 Deluxe Molding Package or YE9 is specified	B85	N.A.	144.00	144.00
<i>Custom Package.</i> Not available when B85 Bright Body Side Moldings or YG3 Deluxe Molding Package is specified. Included when ZY3 Special Two-Tone Paint or ZY5 Exterior Decor Package is specified. Includes B84 Black Body Side Moldings, wheel opening moldings and bright trim for front side marker lamps and taillight trim	YG1	N.A.	157.00	157.00
<i>Deluxe Package.</i> Included when YE9 is specified. Includes bright trim for front side marker lamps and taillight trim, wheel opening moldings and B85 Bright Body Side Moldings.				
Without ZY3 Special Two-Tone Paint or ZY5 Exterior Decor Package	YG3	N.A.	173.00	173.00
With ZY3 Special Two-Tone Paint or ZY5 Exterior Decor Package	YG3	N.A.	16.00	16.00

(a) D & H Charges on vehicle and optional equipment include reimbursement to ordering Division for any tax that it has paid, incurred or agreed to pay thereon.  
 ◇ State and local taxes not included.

# K BLAZER/JIMMY

## OPTIONS WHEN INSTALLED BY GENERAL MOTORS

Prices shown are effective with initial shipments of 1986 model motor vehicles

Description	Option Number	Factory D&H(a)	List Price	Mfr's Suggested Retail Price◇
<b>OTHER OPTIONS</b>				
<b>Moldings: (Continued)</b>				
Guards, Door Edge .....	B93	N.A.	17.00	17.00
<b>Operating Convenience Package:</b> Includes AU3 Power Door Lock System and A31 Power Windows .....	ZQ2	N.A.	325.00	325.00
<b>Preliminary Price Information</b> .....	B3W	N.A.	N.A.	N.A.
<b>Radio Equipment:</b>				
AM Radio .....	U63	N.A.	112.00	112.00
AM/FM Radio .....	U69	N.A.	171.00	171.00
AM/FM Stereo Radio. Available only when YE9 is specified .....	U58	N.A.	198.00	198.00
AM/FM Stereo Radio with Stereo Cassette Tape. Available only when YE9 is specified .....	UN3	N.A.	298.00	298.00
AM/FM Stereo Radio with Seek and Scan, Stereo Cassette Tape and Digital Clock. Electronically Tuned. ....	UM6	N.A.	419.00	419.00
Windshield Antenna. Included with radio .....	U76	N.A.	32.00	32.00
<b>Seats: Dealer Note</b> – AM7 Rear Seat or YG4 Rear Seat Not Desired must be specified. (Added weight includes passenger weight allowance of 150-lbs per seating position. Refer to vehicle and option weight section of Data Book.)				
Rear, 3-Passenger. Forward Folding. Seat trim matches front seat. Includes LH and RH rear armrests with ashtrays, floor covering, floor insulation and (3) seat belts. With standard front seat also includes black embossed rubber rear floor mats. With custom seats or YE9 also includes color-keyed rear floor carpeting.				
Without Custom Trim .....	AM7	N.A.	341.00	341.00
With Custom Trim. Also includes wheelhouse carpeting .....	AM7	N.A.	369.00	369.00
Optional Seat Not Desired .....	YG4	NO ADDITIONAL CHARGE		
<b>Shield, Fuel Tank:</b> Includes protective shield transfer case skid plate .....	NY1	N.A.	164.00	164.00
<b>Shocks, Front Quad:</b> Includes dual left and right hand shock absorbers on front, heavy-duty shock absorbers on rear and a front axle nose bumper to limit axle windup .....	Z75	N.A.	128.00	128.00
<b>Speed Control, Electronic</b> .....	K34	N.A.	195.00	195.00
<b>Springs: Front, Heavy-Duty.</b> Capacity 2250-lb each. Includes H.D. front and rear shock absorbers. Recommended for snowplow type usage only.				
Without Z75 Front Quad Shocks .....	F60	N.A.	92.00	92.00
With Z75 Front Quad Shocks .....	F60	N.A.	59.00	59.00
<b>Steering Wheel: Comfortilt</b> .....	N33	N.A.	115.00	115.00
<b>Tank, Fuel:</b> Approximately 31-gallon capacity for gasoline and 32-gallon capacity for diesel. Replaces production fuel tank .....	NK7	N.A.	43.00	43.00
<b>Top Colors: Dealer Note</b> —One of the following Top Color Options must be specified. (See interior and exterior color availability chart for ordering information)				
Black .....	19K	NO ADDITIONAL CHARGE		
Blue .....	29K	NO ADDITIONAL CHARGE		
Bronze .....	66K	NO ADDITIONAL CHARGE		
Steel Gray .....	90K	NO ADDITIONAL CHARGE		
Tan .....	61K	NO ADDITIONAL CHARGE		
White .....	12K	NO ADDITIONAL CHARGE		
<b>Towing Device: Two front towing hooks</b> .....	V76	N.A.	36.00	36.00
<b>Trailer Hitch:</b>				
<b>Deadweight Type.</b> Not available when Z82 Trailering Special is specified .....	VR2	N.A.	58.00	58.00
<b>Weight Distributing Platform Type.</b> Included when Z82 Trailering Special is specified .....	VR4	N.A.	155.00	155.00

(a) D & H Charges on vehicle and optional equipment include reimbursement to ordering Division for any tax that it has paid, incurred or agreed to pay thereon.

◇ State and local taxes not included.

# K BLAZER/JIMMY

## OPTIONS WHEN INSTALLED BY GENERAL MOTORS

Prices shown are effective with initial shipments of 1986 model motor vehicles

Description	Option Number	Factory D&H(a)	List Price	Mfr's Suggested Retail Price◇
<b>OTHER OPTIONS</b>				
<b>Trailer Special Equipment:</b> Available only when 3.42 or 3.73 Rear Axle Ratio and MX0 Automatic Transmission are specified. Not available when LS9 5.7 Liter Engine is specified. Includes VR4 Weight Distributing Hitch Platform, UY7 Wiring Harness and V02 H.D. Radiator and Transmission Oil Cooler. (See <i>Trailer Guide</i> for GCW ratings with available power train combinations).				
Without B3J Diesel Equipment or C60 Air Conditioning. Also includes K81 66-Amp Generator and KC4 Engine Oil Cooler .....	Z82	N.A.	440.00	440.00
With B3J Diesel Equipment .....	Z82	N.A.	258.00	258.00
With C60 Air Conditioning. Also includes KC4 Engine Oil Cooler .....	Z82	N.A.	378.00	378.00
<b>Wheel Trim:</b> <i>Bright Metal Wheel Covers.</i> Front units contain hub clearance holes .....	P01	N.A.	40.00	40.00
<b>Wheels:</b> Not available when P215 Tires are specified.				
<i>Rally, 15" x 8".</i> Includes trim rings. ....	N67	N.A.	115.00	115.00
<i>Styled, 15" x 8".</i> Four wheels only. ....	PA6	N.A.	174.00	174.00
<i>Aluminum, Cast: Four Wheels only.</i> Includes 15" x 7" wheels and special hub caps .....	N90	N.A.	299.00	299.00
<b>Windows, Power:</b> <i>Electric.</i>				
<i>Side Door.</i> Included when ZQ2 Operating Convenience Package is specified .....	A31	N.A.	190.00	190.00
<i>Tailgate</i> .....	A33	N.A.	95.00	95.00
<b>Window, Sliding Side Quarter</b> .....	AD5	N.A.	243.00	243.00
<b>Windshield Wiper System:</b> <i>Intermittent</i> .....	CD4	N.A.	55.00	55.00

(a) D & H Charges on vehicle and optional equipment include reimbursement to ordering Division for any tax that it has paid, incurred or agreed to pay thereon.  
 ◇ State and local taxes not included.

# **K BLAZER/JIMMY**

**CAB & BODY FEATURES  
SEATING ARRANGEMENTS  
CAB DIMENSIONS  
COLOR & TRIM CHARTS  
TWO-TONES**

# K BLAZER/JIMMY

## CUSTOM DELUXE/SIERRA FEATURES—STANDARD MODEL

The Custom Deluxe/Sierra standard models include the following items as standard equipment



### EXTERIOR

- **Bumpers:** Front and rear; chromed
- **Color:** See Interior and Exterior Color Selection Chart
- **Doors:** RH and LH side doors
- **Drip Moldings:** Over side doors; painted roof color
- **Glass:** Tinted; all windows
- **Grille and Headlamp Bezels:** Molded plastic; painted argent; integral Chevrolet emblem/GMC letters at center of grille
- **Horn:** Single, electric low-note
- **Hub Caps:** Bright metal with black trim
- **Keys:** Two-key system with separate keys for ignition switch and doors
- **Lights:**
  - Backup lamps: Two rear (integral with taillamps)
  - Combination parking/direction/hazard: Two front
  - Combination tail/stop/direction/hazard: Two rear
  - Headlamps: Two, rectangular
  - License plate lamp: Single rear
  - Side marker lamps with reflectors: Two front; two rear (integral with taillamps)
- **Mirrors:** RH and LH fixed arm with adjustable 5-7/16" wide x 4" high heads; chrome finish
- **Moldings:** Bright headlamp and grille outline moldings
- **Nameplates:** Bright "K5 Blazer/Jimmy" nameplates on front fenders near doors; and a bright Chevrolet nameplate/GMC letters on tailgate
- **Removable Top:** Constructed of molded plastic reinforced with fiberglass. Included are LH and RH fixed side windows. The exterior of the top is painted the primary color except when Lt. Blue or Apple Red are used; then the cab roof and removable top are painted white (see Interior and Exterior Color Availability Chart). The cab roof is painted the same color as the removable top
- **Tailgate:** Double-wall steel construction, supported in open position by reel-type cables. Includes drop glass operated by an articulated crank-type regulator handle on the tailgate outer panel. A key lock cylinder is concealed in the regulator handle, and must be unlocked before the window can be lowered. After the window is lowered, the tailgate is released with a handle located at the upper center of the inner panel. An optional electric tailgate window is available (RPO A33)
- **Tools:** Mechanical jack and wheel wrench
- **Wheels:** Painted white
- **Windshield Wipers and Washers:** Electric, 2-speed wipers with black finish on exposed metal portions; wet-arm demand-type washer system

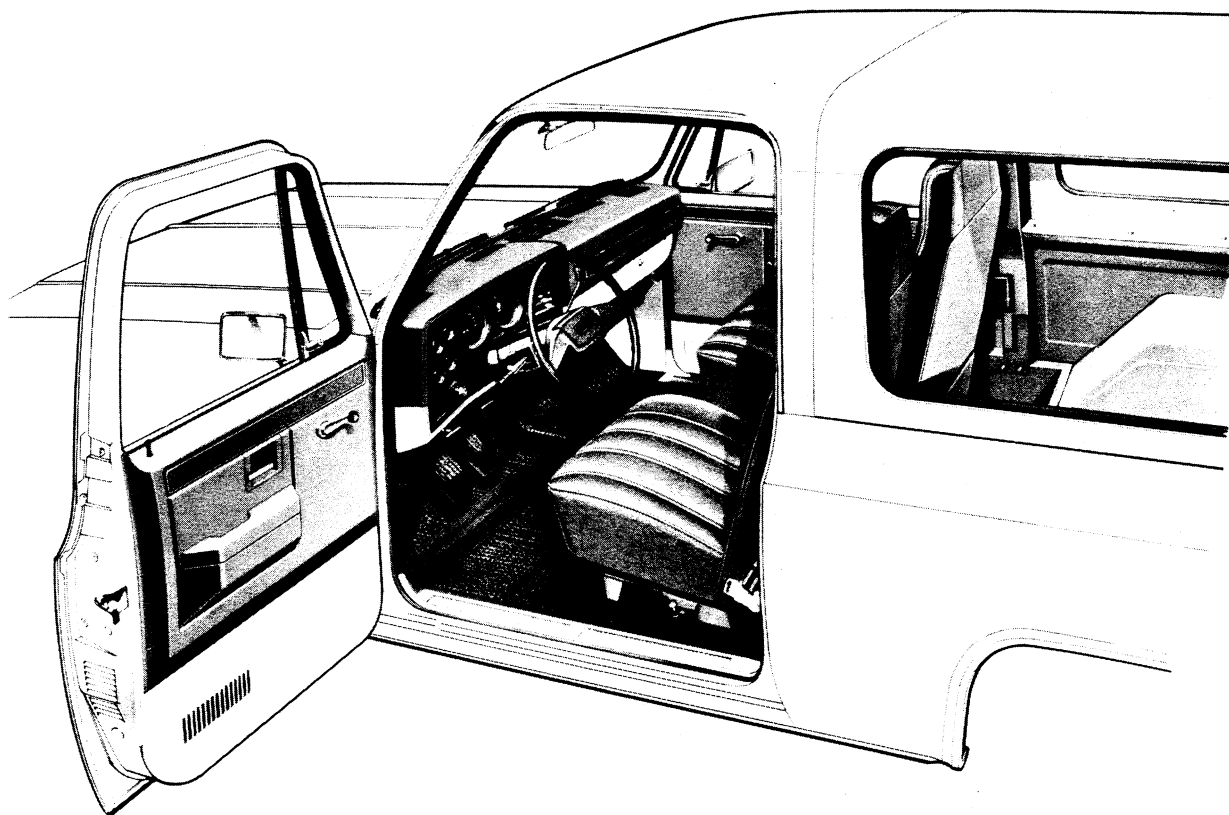




# K BLAZER/JIMMY

## CUSTOM DELUXE/SIERRA FEATURES—STANDARD MODEL

The Custom Deluxe/Sierra standard models include the following items as standard equipment



### INTERIOR

- **Armrests:** RH and LH padded; integral with door trim panels
- **Ashtray:** In middle of instrument panel
- **Coat Hooks:** Two; on LH side
- **Colors:**
  - Painted body areas: Same as exterior primary color choice
  - Removable top: Mystic
  - Interior trim: Coordinated with seat trim color choice
- **Dome Lamps:** Two; with door-actuated switches (dome lamps may also be activated by main light switch)
- **Door Trim Panels:** Color-keyed, molded plastic
- **Floor Covering:** Embossed black rubber mats; front and rear
- **Heater and Defogger:** Deluxe-air
- **Hood Lock Release:** Handle located on LH side under instrument panel
- **Instrument Cluster Bezel:** Black crackle finish with bright trim
- **Instruments:**
  - Gages: Speedometer, odometer, and fuel
  - Switches: Main, for control of exterior lights, instrument cluster lights, dome light(s) and cab interior lights; multi-function switch on steering column for direction signals by moving lever up or down (includes lane change position), headlamp beams by pulling lever toward driver, windshield wiper by turning band marked "WIPER" toward or away from driver, and windshield washer by pushing in the lever knob; ignition with key-in warning buzzer; hazard warning; heater fan
  - Warning lights: Generator, oil pressure, engine temperature, service-parking brake, direction/hazard signal, seat belt, high beam
- **Instrument Panel Control Knobs:** Soft black plastic (except heater and wiper-washer controls) with white graphic identification
- **Instrument Panel Pad:** Color-keyed, energy-absorbing foam type with grained vinyl skin; has black crackle-finished applique on RH side with bright, black, and silver trim and bright "Custom Deluxe" nameplate
- **Insulation and Sound Deadening Material:** Dash (firewall), under floor mats, and between inner and outer cab roof panels
- **Lights:** Instrument cluster and cab interior lights, cab and removable top dome lights with bright trim
- **Mirror, Rearview:** 10" prismatic with soft vinyl rim
- **Seats:** Driver and passenger; foam-padded high back bucket type with embossed grained all-vinyl trim. See Interior and Exterior Color Selection Chart for color and trim availability
- **Seat Belt:** Driver and passenger; non-detachable combination lap and shoulder belt with emergency-locking retractor and switch in driver's lap belt retractor for buzzer warning system. Belt assembly is color-keyed with pushbutton type buckle
- **Sill Plates:** Full-length, bright, at front doors and at front and rear of rear compartment floor
- **Spare Tire Mounting:** On RH side panel behind wheelhousing
- **Steering Wheel and Column:** 16" black soft plastic wheel with 2-spoke design; black energy-absorbing steering column with anti-theft locking feature
- **Stowage Box:** In RH side of instrument panel; door has bright, turn-type latch release
- **Sunshade:** LH and RH padded; color-keyed

# K BLAZER/JIMMY

## SILVERADO/SIERRA CLASSIC MODEL OPTION—RPO YE9

This option includes all Custom Deluxe/Sierra standard model items plus the additions or substitutions listed below



### EXTERIOR

#### • Bright Appearance Items:

- Brush-finished applique panel on tailgate
- "Silverado/Sierra Classic" nameplate on each side panel at center rear
- Body side and rear moldings with black paint trim
- Wheel-opening lip moldings with black paint trim
- Front side marker lamp and taillamp trim
- Chrome-trimmed grille and headlamp bezels (Chevrolet models only)

- Chevrolet emblem/GMC letters at grille center
- Removable top side window moldings
- Windshield reveal moldings

#### • Cab-to-Fender Insulators

- **Grille and Headlamp Bezel Paint:** Dark argent (Chevrolet); argent/dark argent (GMC)

#### • Hood Insulator

- **Horn:** Additional, electric, high-note

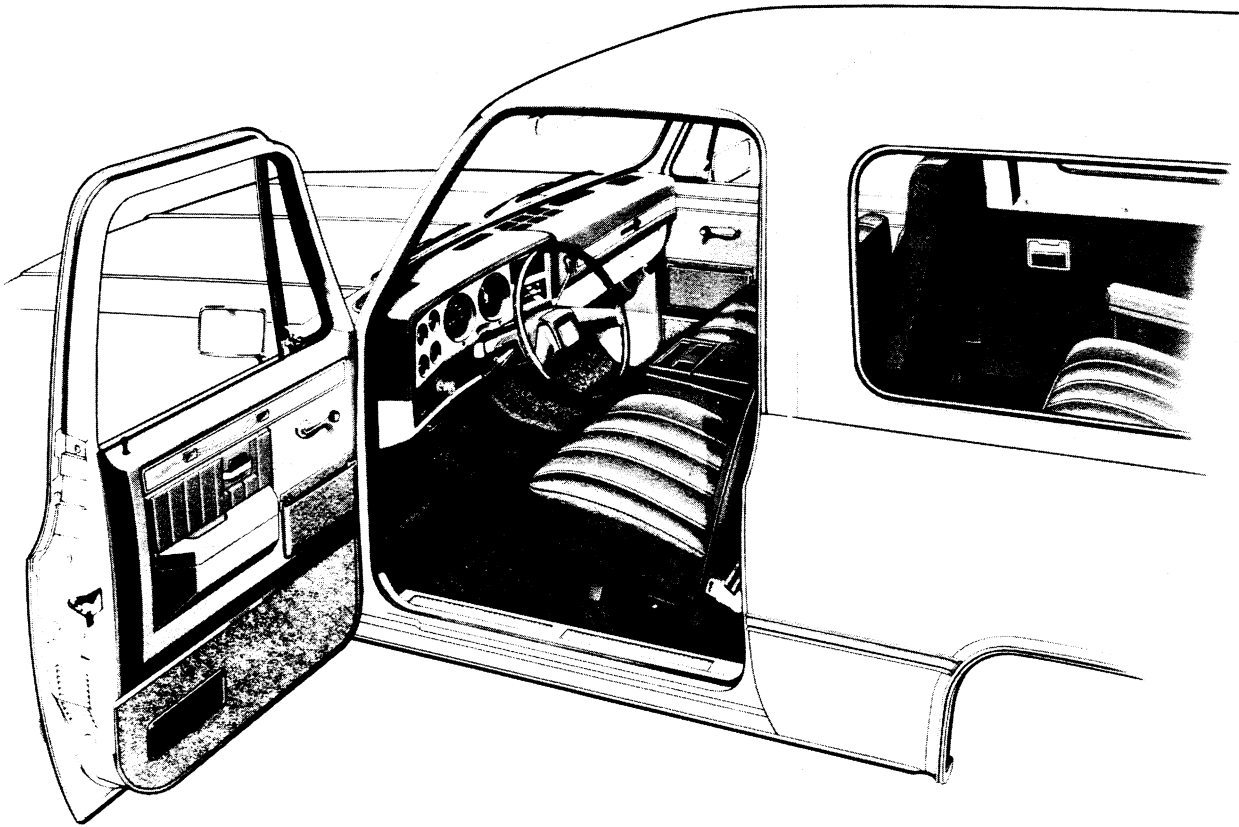
- **Special Headlamps:** Rectangular; dual RH and LH



# K BLAZER/JIMMY

## SILVERADO/SIERRA CLASSIC MODEL OPTION—RPO YE9

This option includes all Custom Deluxe/Sierra standard model items plus the additions or substitutions listed below



Optional 3-passenger rear seat also shown in illustration

### INTERIOR

- **Bright Appearance Items:**

- "Silverado/Sierra Classic" nameplate on instrument panel pad
- MM4 four-speed transmission shift lever

- Trim on instrument cluster bezel, instrument panel pad applique, interior trim panels and on horn button

- **Cigar Lighter:** Includes fiber optic illuminated ashtray

- **Console:** Color-keyed molded plastic with storage/beverage pockets

- **Cowl Panel Trim:** Color-keyed molded plastic on entire surface of cowl side panels

- **Floor Covering:** Color-keyed front compartment carpeting (matching rear compartment floor covering, including wheel-housings, is also provided with optional rear seat)

- **Headliner:** Front compartment; mystic color foam-backed cloth; includes matching windshield pillar and retainer moldings

- **Instrument Cluster:** Voltmeter, oil pressure gage, and engine temperature gage replace warning lamps; includes pewter-toned brush-finished bezel

- **Instrument Panel Pad Applique:** Pewter-toned brushed finish with bright, black and silver trim

- **Insulation:** Extra-thick floor insulators (including rear compartment floor and wheelhousings with optional rear seat)

- **Seats:** Choice of: 1) all-vinyl pigskin grained trim; or 2) textured velour cloth/vinyl trim. See Interior and Exterior Color Selection Chart for color and trim availability

- **Spare Tire Cover:** Black vinyl

- **Special Insulation:** Insulator under cowl top panel

- **Steering Wheel:** Bright trim on horn button

- **Trim Panels:** Molded, color-keyed plastic front door trim panels, door closing assist straps, pewter-toned brush-finished upper decorative inserts having bright, black and silver borders; vinyl stowage pockets; vinyl inserts in armrest area plus carpeting and bright trim strips on lower portions. Color-keyed embossed vinyl rear compartment sidewall trim panels with ashtrays and carpet trim

- **Visor Mirror:** On RH sun visor

# K BLAZER/JIMMY

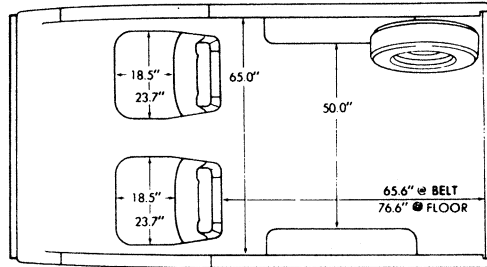
## OPTIONAL SEATS

The driver and front passenger seats for Custom Deluxe/Sierra (standard) models are available with optional all-vinyl pigskin grain trim in a choice of blue or saddle tan. This option includes a color-keyed plastic floor console between the seats, color-keyed front carpeting and extra-thick front floor insulation.

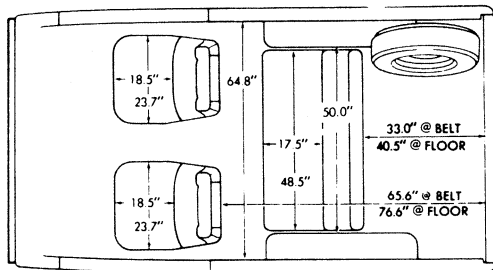
When the Silverado/Sierra Classic Model Option (RPO YE9) is ordered, a choice of either pigskin grain all-vinyl trim or textured velour cloth and vinyl trim in blue, burgundy, saddle tan or slate gray.

A three-passenger folding rear seat with armrests (RPO AM7) is available for all models. Seat belts are provided at all seating positions, with outboard units incorporating retractors. LH and RH ashtrays mounted to the sidewalls also are provided. The seat trim and floor covering match those of the front compartment, and rear wheelhousing insulation and carpeting are included when the leather grain all-vinyl front seats or cut-pile velour cloth and vinyl front seats are ordered.

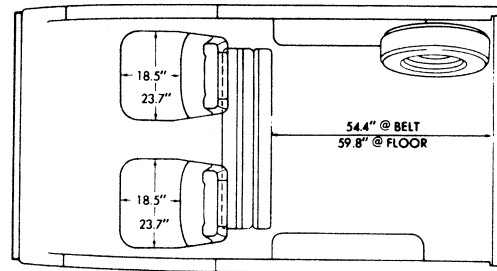
### SEATING ARRANGEMENTS



Standard front driver and passenger bucket seats

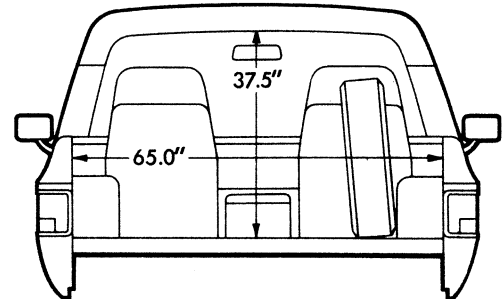
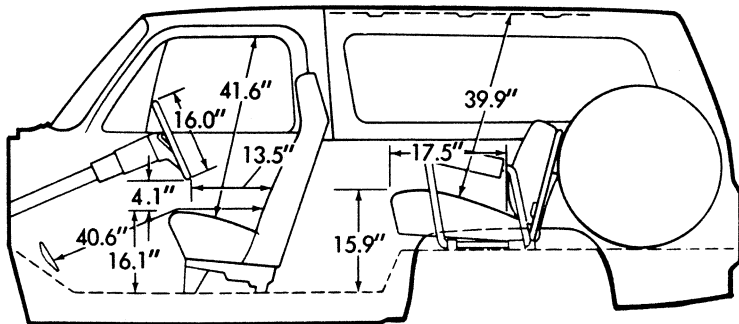


Front and 3-passenger rear seat



Front and 3-passenger rear seat (rear seat shown in folded position)

### DIMENSIONS



### Glass Area (sq. in.)

Windshield ..... 1421  
Side door, including venti-  
pane (each side) ..... 470

Removable top side win-  
dow (each side) ..... 894  
Tailgate drop glass (Hard-  
top models) ..... 1077

# K BLAZER/JIMMY

## INTERIOR AND EXTERIOR COLOR AVAILABILITY CHART

**Please Note:** Below are the interior trim color and exterior paint combinations recommended by Chevrolet/GMC. The only available color code 1/color code 2 exterior color combinations are those shown in the chart below; however, any available interior trim color may be ordered with one of these exterior color combinations if that particular combination is desired by the customer.

INTERIOR COLORS		Decor	Blue	Burgundy	Saddle Tan	Slate Gray		
<b>CUSTOM DELUXE/SIERRA</b>		Std.	VDD4		VSS4			
Vinyl High Back Bucket Seats			XDD4		XSS4			
<b>SILVERADO/SIERRA CLASSIC</b>		YE9	XDD4	XEE4	XSS4	XTT4		
Custom Vinyl High Back Bucket Seats			LDD4	LEE4	LSS4	LTT4		
Custom Cloth High Back Bucket Seats								
EXTERIOR COLORS w/ZY1 or ZY3 PAINT	Color Code 1	Color Code 2	RECOMMENDED INTERIOR TRIM COLOR				Top Color*	
<b>BLACK, MIDNIGHT</b>	19	19		X	X	X	12K/19K	
Gray, Steel (Metallic)	19	90				X	19K	
Tan, Doeskin	19	61			X		19K	
White, Frost	19	12				X	12K/19K	
<b>BLUE, LIGHT (Metallic)</b>	21	21	X			X	12K/19K	
White, Frost	21	12	X				12K	
<b>BLUE, MIDNIGHT</b>	29	29	X			X	12K/19K/29K	
Blue, Light (Metallic)	29	21	X				12K/29K	
White, Frost	29	12	X				12K/29K	
<b>BRONZE, INDIAN (Metallic)</b>	66	66			X		12K/19K/66K	
White, Frost	66	12			X		12K/66K	
<b>GRAY, STEEL (Metallic)</b>	90	90	X	X		X	12K/90K/19K	
Black, Midnight	90	19				X	90K/19K	
White, Frost	90	12				X	12K/90K	
<b>RED, APPLE</b>	72	72		X	X		12K/19K	
White, Frost	72	12		X			12K	
<b>TAN, DOESKIN</b>	61	61			X		12K/19K/61K	
Black, Midnight	61	19			X		19K/61K	
White, Frost	61	12			X		12K/61K	
<b>WHITE, FROST</b>	12	12	X	X	X	X	12K/19K	
Black, Midnight	12	19		X		X	12K/19K	
Blue, Light (Metallic)	12	21	X				12K	
Blue, Midnight	12	29	X				12K	
Gray, Steel (Metallic)	12	90				X	12K	
Red, Apple	12	72		X			12K	
Tan, Doeskin	12	61			X		12K	
<b>w/ZY5 PAINT (Exterior and Interior Combinations Shown are the Only Combinations Available)</b>							<b>STRIPE COLOR</b>	
BLACK, MIDNIGHT/Red, Apple	19	72		X			19K	Vermillion/Black
BLACK, MIDNIGHT/Gray, Steel (Metallic)	19	90				X	19K	Vermillion/Black
BLACK, MIDNIGHT/Tan, Doeskin	19	61			X		19K	Vermillion/Black
BLACK, MIDNIGHT/White, Frost	19	12				X	12K/19K	Vermillion/Black
BLUE, MIDNIGHT/Blue, Light (Metallic)	29	21	X				29K	Light Blue/Dark Blue
BLUE, MIDNIGHT/Gray, Steel (Metallic)	29	90	X			X	29K	Vermillion/Light Slate
BRONZE, INDIAN (Metallic)/Tan, Doeskin	66	61			X		66K	Almond/Dark Brown
BRONZE, INDIAN (Metallic)/White, Frost	66	12			X		66K	Almond/Dark Brown
GRAY, STEEL (Metallic)/Black, Midnight	90	19				X	17K/19K	Vermillion/Black
GRAY, STEEL (Metallic)/Blue, Light (Metallic)	90	21	X				90K	Dark Blue/Light Blue
GRAY, STEEL (Metallic)/Blue, Midnight	90	29	X				90K	Light Blue/Dark Blue
GRAY, STEEL (Metallic)/Red, Apple	90	72				X	90K	Vermillion/Light Slate
TAN, Doeskin/Black, Midnight	61	19			X	X	19K/61K	Dark Brown/Almond
TAN, Doeskin/Red, Apple	61	72			X		61K	Dark Brown/Almond
WHITE, FROST/Black, Midnight	12	19				X	12K/19K	Vermillion/Black
WHITE, FROST/Tan, Doeskin	12	61			X		12K	Dark Brown/Almond

\*One of the following top colors must be specified: 12K—White, 19K—Black, 29K—Blue, 61K—Tan, 66K—Bronze, 90K—Steel Gray

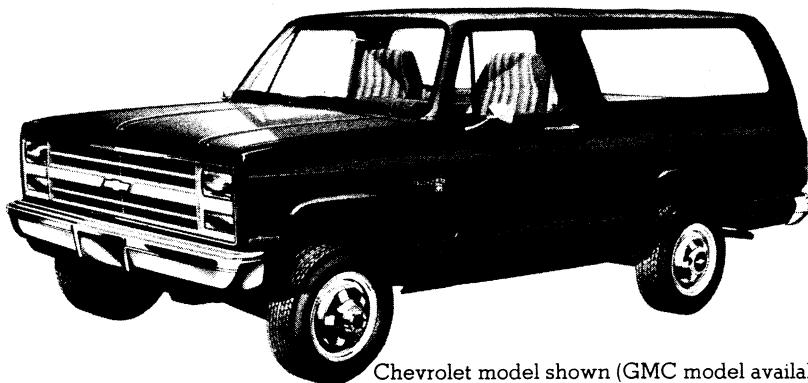
# K BLAZER/JIMMY

## SOLID AND TWO-TONE\* EXTERIOR COLOR COMBINATIONS

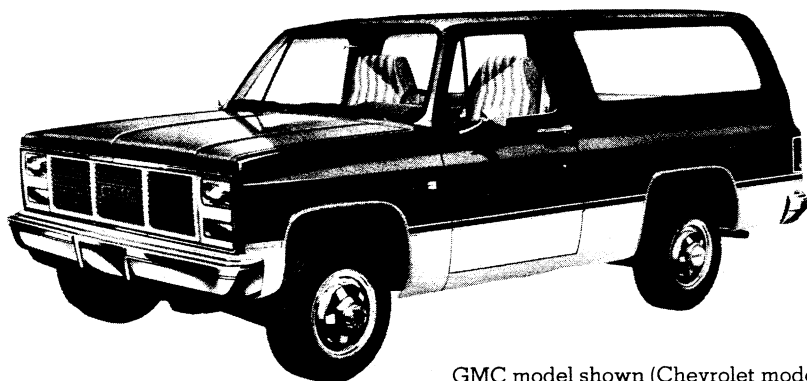
The application of paint for solid and two-tone exterior color combinations is shown below.

### SOLID COLOR

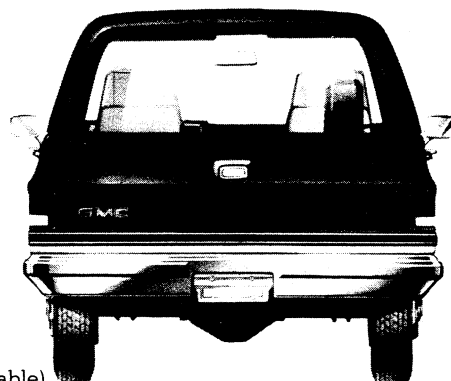
**Solid Color** (ZY1) paint is standard on all models. All painted areas of the body and front end sheet metal including the cab roof and removable top are painted the same color except when Lt. Blue or Apple Red are used; then the cab roof and removable top are painted black or white. (See Interior and Exterior Color Availability Chart to determine cab roof and top color availability.)



Chevrolet model shown (GMC model available)



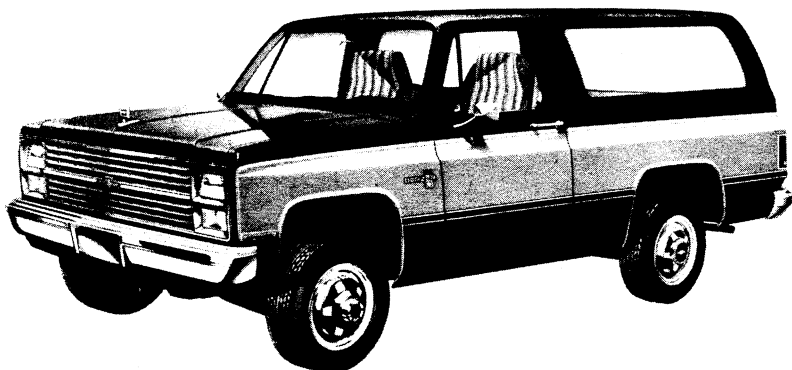
GMC model shown (Chevrolet model available)



**Special two-tone** (ZY3) paint colors are available on all models and include the YG1 molding package consisting of black vinyl body side and rear moldings with bright trim, bright wheel opening moldings, and bright trim for front side marker lights and tail lights (except with the YG3 molding package or the Silverado/Sierra Classic Model Option where bright body side and rear moldings with black paint trim are

substituted). Color code 1 is applied to the areas above the moldings. Color code 2 is applied to the areas below the moldings. The cab roof, including the drip rails, and the removable top will be painted color code 1 except when Lt. Blue or Apple Red is used; then they are painted black or white. (See Interior and Exterior Color Availability Chart to determine cab roof and top color availability.)

**Exterior Decor Package** (ZY5) paint colors and trim are available in a choice of ten combinations (see Interior and Exterior Color Availability Chart). This package includes the moldings described under Special two-tone. In addition, it includes dual-tone body side and rear tape decal striping keyed to the exterior body color. This striping is applied to the front fenders, side doors and body sides and rear, a few inches above the styling crease line. The areas above the striping and below the moldings are painted color code 1. Color code 2 is used between the striping and the moldings. The cab roof, including the drip rails, and the removable top will be painted color code 1 except when Lt. Blue or Apple Red is used; then they are painted black or white. (See Interior and Exterior Color Availability Chart to determine cab roof and top color availability.) A bright spring-loaded, stand-up type hood ornament is also included on gasoline engine models.



Chevrolet model shown (GMC model available)

\*Optional at extra cost.