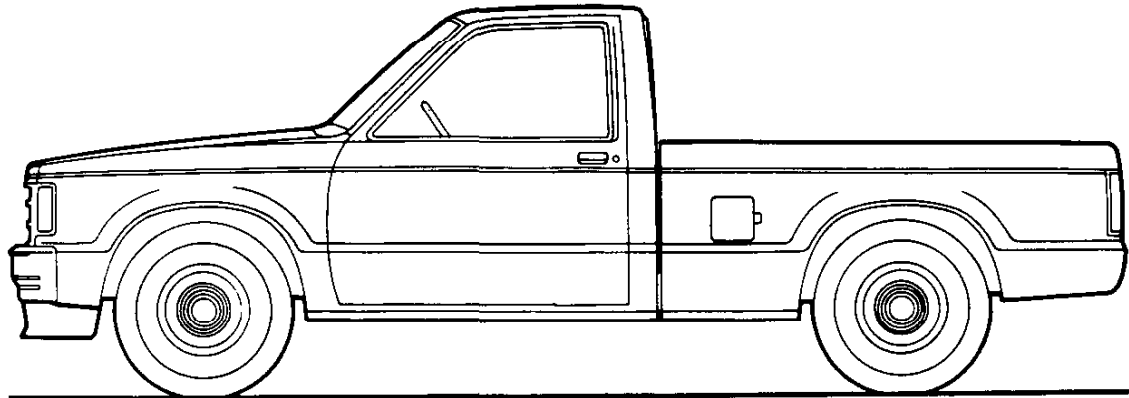




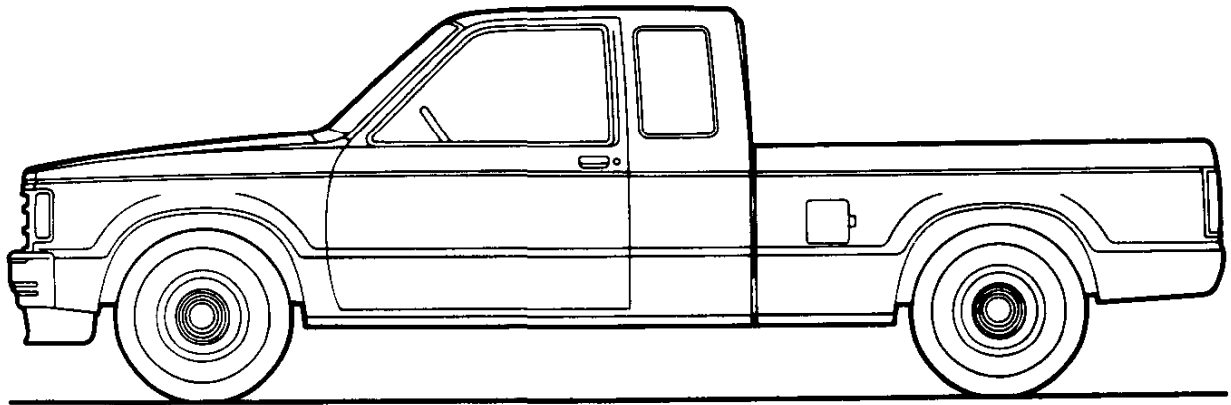
# S-10/15 PICKUP 2- & 4-WHEEL DRIVE

## MODEL SELECTOR



**REGULAR CAB**

SERIES	MODEL NUMBER		BODY ORDERING CODE	
	6' BOX	7'5" BOX	STANDARD	EL/SPECIAL
<b>S-10/15</b> (4x2)	S10603	—	E63/X96	E63/X81
<b>S-10/15</b> (4x2)	—	S10803	E63	—
<b>S-10/15</b> (4x4)	T10603	T10803	E63	—



**EXTENDED CAB**

SERIES	MODEL NUMBER	BODY ORDERING CODE
	6' BOX	
<b>S-10/15</b> (4x2)	S10653	E63
<b>S-10/15</b> (4x4)	T10653	E63

# S-10/15 PICKUP—2-WHEEL DRIVE

**GASOLINE**

## REGULAR CAB AND EXTENDED CAB STANDARD SPECIFICATIONS

(See Gray Tab Section for Specification Details)

Series	S-10/15 4X2 EL/SPECIAL	S-10/15 4X2
<b>Engine</b>		
Base Equip. ....	2.5 Liter (151 Cu. In.) EFI L4	
Clutch .....	9.13" 71.86 sq. in.	
Air Filter .....	Oiled-paper Element	
Oil Filter .....	Throwaway Type	
Exhaust System .....	Single; Aluminized	
Emission Control Systems .....	Meet Government Requirements	
<b>Suspension, Front</b>	Independent	
Type .....	Coil Springs	
Axle Capacity .....	2500 lb.	
Springs @ Ground .....	1250 lb. ea.	
Shock Absorbers .....	25mm dia.	
<b>Suspension, Rear</b>	Salisbury Axle; Hypoid Drive; Two-stage Multi-leaf Springs	
Type .....	Leaf Springs	
Axle Capacity .....	2600 lb.	
Axle Ratio .....	3.42	
Springs @ Ground .....	1150 lb. ea.	
Shock Absorbers .....	25mm dia.	
<b>Brakes</b>	Hydraulic; Self-adjusting	
Front .....	Disc; 10.51" Rotor	
Rear .....	Drum; 9.49" x 2"	
Booster (Extended Cab only) .....	Single Diaphragm	
Parking .....	Cable to Rear Wheels	
<b>Electrical</b>	12 Volt; Negative Ground	
Battery—Freedom Type .....	▲405 CCA ♦ @ 0°F.	
—Reserve Capacity .....	75 min. @ 80°F.	
Delcotron Generator .....	78 amp.	
<b>Frame</b>	Carbon Steel; 36,-39,000 psi	
Section Modulus—108.3" WB .....	1.94	
—117.9" 122.9" WB .....	2.19	
<b>Fuel Tank (nominal capacity)</b>	13.2 gal.	
<b>Steering Gear Type</b>	Manual; Recirculating Ball Gear	
Linkage .....	Parallelogram	
<b>Transmission</b>	Fully Synchronized 4-Speed Manual	
Shift Location .....	Floor	
<b>Tires—All-Season Steel Belted Radial</b>	(4) P195/75R14	(4) P195/75R14
Spare .....	(1) T135/80D15	(1) P195/75R14
<b>Wheels</b>	(4) Disc, 14" x 6"	(4) Disc, 14" x 6"
Spare .....	(1) Disc, 15" x 4"	(1) Disc, 14" x 6"

♦ CCA-Cold Cranking Amps

# S-10/15 PICKUP—4-WHEEL DRIVE

**GASOLINE**

## REGULAR CAB AND EXTENDED CAB

### STANDARD SPECIFICATIONS

(See Gray Tab Section for Specification Details)

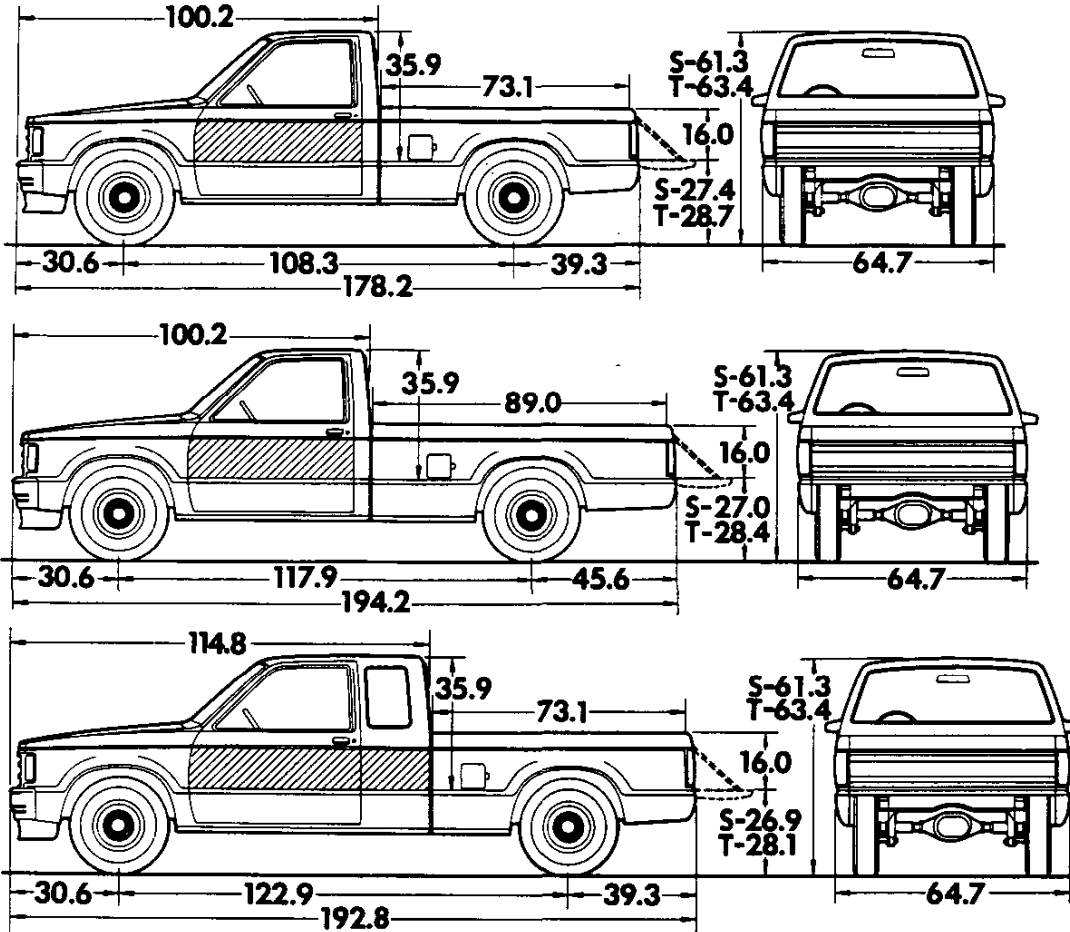
Series	S-10/15 4X4
<b>Engine</b>	
<b>Base Equip.</b> .....	2.5 Liter (151 Cu. In.) EFI L4
<b>Clutch</b> .....	9.13" 71.86 sq. in.
<b>Air Filter</b> .....	Oiled-paper Element
<b>Oil Filter</b> .....	Throwaway Type
<b>Exhaust System</b> .....	Single; Aluminized
<b>Emission Control Systems</b> .....	See Engine & Cooling Section for specific model applications
<b>Suspension, Front</b> .....	Independent Driving Axle
<b>Type</b> .....	Torsion Bar
<b>Axle Capacity</b> .....	2700 lb.
<b>Axle Ratio</b> .....	3.73
<b>Springs @ Ground</b> .....	1350 lb. ea.
<b>Shock Absorbers</b> .....	25mm dia.
<b>Stabilizer Bar</b> .....	32mm dia.
<b>Suspension, Rear</b> .....	Salisbury Axle; Hypoid Drive; Two-stage Multi-leaf Springs
<b>Type</b> .....	Leaf Springs
<b>Axle Capacity</b> .....	2700 lb.
<b>Axle Ratio</b> .....	3.73
<b>Springs @ Ground</b> .....	1150 lb. ea.
<b>Shock Absorbers</b> .....	25mm dia.
<b>Brakes</b> .....	Hydraulic; Self-adjusting
<b>Front</b> .....	Disc; 10.51" Rotor
<b>Rear</b> .....	Drum; 9.49" x 2"
<b>Booster</b> .....	Single Diaphragm
<b>Parking</b> .....	Cable to Rear Wheels
<b>Electrical</b> .....	12 Volt; Negative Ground
<b>Battery—Freedom Type</b> .....	405 CCA ♦ @ 0°F.
<b>—Reserve Capacity</b> .....	75 min. @ 80°F.
<b>Delcotron Generator</b> .....	78 amp.
<b>Frame</b> .....	Carbon Steel; 36,-39,000 psi
<b>Section Modulus—108.3" WB</b> .....	2.56
<b>—117.9" &amp; 122.9" WB</b> .....	2.91
<b>Fuel Tank (nominal capacity)</b> .....	13.2 gal.
<b>Steering Gear Type</b> .....	Manual; Recirculating Ball Gear
<b>Linkage</b> .....	Parallelogram
<b>Transmission</b> .....	Fully Synchronized 4-Speed Manual
<b>Shift Location</b> .....	Floor
<b>Transfer Case</b> .....	New Process 207 2-Speed Conventional
<b>Shift Location</b> .....	Floor
<b>Tires</b> .....	(4) P195/75R15 All Seasons Steel Belted Radial
<b>Spare</b> .....	(1) T155/90D-16
<b>Wheels</b> .....	(4) Disc, 15" x 6"
<b>Spare</b> .....	(1) Disc, 16" x 4"

♦CCA-Cold Cranking Amps

**GASOLINE**

# S-10/15 PICKUP 2- & 4-WHEEL DRIVE

Body Ordering Code: E63



**Sign Panel Areas (side)**  
 Regular Cab - 12 1/4" x 45"  
 Extended Cab - 12 1/4" x 64"



**Maxi-Cab Cargo Capacity (Cu. Ft.)**  
 w/o Jump Seats ..... 18.4  
 w/Jump Seats (folded) ..... 13.7

**Cab to Axle (CA)**  
 108.3" WB - 38.7"  
 117.9" WB - 48.3"  
 122.9" WB - 38.7"

Model	Body Ordering Code	Engine No. Cyl.	Curb Weight (lb)			Model Weights (lb)*			Ground Clearance (in)* Minimum
			Front	Rear	Total	Front	Rear	Total	
<b>S-10/15 MODELS (2-WHEEL DRIVE)</b>									
<b>S10603</b>	E63	4	1516	1058	2574	1741	1283	3024	6.4
<b>S10803</b>	E63	4	1551	1094	2645	1794	1301	3095	6.4
<b>S10653</b>	E63	4	1580	1133	2713	1835	1328	3163	6.4
<b>S-10/15 MODELS (4-WHEEL DRIVE)</b>									
<b>T10603</b>	E63	4	1759	1146	2905	1984	1371	3355	6.9
<b>T10803</b>	E63	4	1792	1160	2952	2017	1385	3402	6.9
<b>T10653</b>	E63	4	1821	1210	3031	2076	1405	3481	6.9

★ Dimensions with standard equipment, unloaded.

\*Model Weights include curb weight plus occupants (standard seating capacity x 150 lbs.). Total Weight may vary as much as ±50 lbs. to allow for production build variation.

# S-10/15 PICKUP 2- & 4-WHEEL DRIVE

## PAYLOAD SELECTORS

‡Maximum Ratings				Minimum Equipment Required for GVW Rating		
Payload (lb)	GVW Range (lb)	†GAWR (lb)		Tires, Front	Tires, Rear	Chassis Equipment
		Front	Rear			
<b>S-10/15 MODELS (2 WHEEL DRIVE)</b>						
<b>1000</b>	3568 to 4388	2500	2300	P195/75R14	P195/75R14	Standard
<b>1500</b>	4110 to 4942	2500	2544	P195/75R14	P195/75R14	▲1500-lb. Payload Package (C3A)
<b>◆1625</b>	4311 to 4970	2500	2600	P205/75R14	P205/75R14	▲1625-lb. Payload Package (C3C)
<b>S-10/15 MODELS (4 WHEEL DRIVE)</b>						
<b>1000</b>	3911 to 4759	2684	2300	P195/75R15	P195/75R15	Standard
<b>1500</b>	4499 to 5311	2684	2684	P195/75R15	P195/75R15	▲1500-lb. Payload Package (C3A)

‡GAWRs shown are the maximum for each axle with the equipment listed. Maximum ratings include an additional 50 lbs. allowance for vehicle weight variance.

†GAWR – Gross Axle Weight Rating.

▲See payload option restrictions for engine requirements.

◆Not available on S10653 Extended Cab models.

---

# NOTES

# S-10/15 PICKUP 2- & 4-WHEEL DRIVE

## POWER TEAMS

### ALL STATES EXCEPT CALIFORNIA

■PAYLOADS:  
C3B: 1000 lbs.  
C3A: 1500 lbs.  
C3C: 1625 lbs.

### POWER TEAMS (MUST ORDER ENGINE, TRANSMISSION AND REAR AXLE)

#### W/NA5 STANDARD EMISSION EQUIPMENT

ENGINE	TRANSMISSION			AXLES				PAYLOAD
	4-SP	5-SP	AUTO	3.08	3.42	3.73	4.11	
<b>—S10603-S10803</b>								
LN8 L4 2.5 Liter EFI	MM4			—	GQ1	GT4	—	w/C3A-C3B
	MM4			—	—	GQ1	—	w/C3C
		MM5		—	—	%GQ1	%H04	w/C3A-C3B
		MM5		—	—	—	%GQ1	w/C3C
			MX0	—	—	GQ1	H04	w/C3A-C3B
			MX0	—	—	—	GQ1	w/C3C
LL2 V6 2.8 Liter EFI	MM4			GQ1	GU6	—	—	ALL
		MM5		—	GQ1	%GT4	—	ALL
			MX0	—	GQ1	GT4	—	ALL
<b>—S10653</b>								
LN8 L4 2.5 Liter EFI	MM4			—	GQ1	GT4	—	w/C3A-C3B
		MM5	MX0	—	—	GQ1	H04	w/C3A-C3B
LL2 V6 2.8 Liter EFI	MM4			GQ1	GU6	—	—	w/C3A-C3B
		MM5	MX0	—	GQ1	GT4	—	w/C3A-C3B
<b>—T10603-T10803-T10653</b>								
LN8 L4 2.5 Liter EFI	MM4			—	—	#GQ1	**H04	w/C3A-C3B
		MM5	MX0	—	—	—	GQ1	w/C3A-C3B
LL2 V6 2.8 Liter EFI (Reqs N40 Steering)	MM4			—	#GQ1	GT4	—	w/C3A-C3B
		MM5	MX0	—	—	#GQ1	H04	w/C3A-C3B
<b>W/NA6 HIGH ALTITUDE EMISSION EQUIPMENT</b>								
ENGINE	TRANSMISSION			AXLE				PAYLOAD
	4-SP	5-SP	AUTO		3.73	4.11		
<b>—S10603-S10803</b>								
LN8 L4 2.5 Liter EFI	MM4				GQ1	—		ALL
		MM5			—	%GQ1		ALL
			MX0			—	GQ1	
LL2 V6 2.8 Liter EFI	MM4		MX0		GQ1	—		ALL
		MM5			—	GQ1		ALL
<b>—S10653</b>								
LN8 L4 2.5 Liter EFI	MM4				GQ1	—		w/C3A-C3B
		MM5	MX0		—	GQ1		w/C3A-C3B
LL2 V6 2.8 Liter EFI	MM4		MX0		GQ1	—		w/C3A-C3B
		MM5			—	GQ1		w/C3A-C3B
<b>—T10603-T10803-T10653</b>								
LN8 L4 2.5 Liter EFI	MM4	MM5	MX0		—	GQ1		w/C3A-C3B
	MM4				#GQ1	**H04		w/C3A-C3B
LL2 V6 2.8 Liter EFI (Reqs N40 Steering)		MM5	MX0		#GQ1	H04		w/C3A-C3B

#N/A P235/75R15 Tires  
\$CS10803 Only  
%N/A CS10603 w/P195/75R14 Tires  
\*\*Reqs P235/75R15 Tires



# S-10/15 PICKUP 2- & 4-WHEEL DRIVE

## POWER TEAMS

### CALIFORNIA ONLY

#PAYLOADS:  
 C3B: 1000 lbs.  
 C3A: 1300 lbs.  
 C3C: 1625 lbs.

## POWER TEAMS (CONT'D) (MUST ORDER ENGINE, TRANSMISSION AND REAR AXLE

### W/YF5 CALIFORNIA EMISSION REQUIREMENTS

ENGINE	TRANSMISSION			AXLES				PAYLOAD
	4-SP	5-SP	AUTO	3.08	3.42	3.73	4.11	
<b>—S10603-S10803</b>								
LN8 L4 2.5 Liter EFI	MM4			—	GQ1	GT4	—	w/C3A-C3B
	MM4			—	—	GQ1	—	w/C3C
		MM5		—	—	%GQ1	%H04	w/C3A-C3B
		MM5		—	—	—	%GQ1	w/C3C
			MX0	—	—	GQ1	H04	w/C3A-C3B
			MX0	—	—	—	GQ1	w/C3C
LL2 V6 2.8 Liter EFI	MM4			GQ1	GU6	—	—	ALL
		MM5		—	GQ1	%GT4	—	ALL
			MX0	—	GQ1	GT4	—	ALL
<b>—S10653</b>								
LN8 L4 2.5 Liter EFI	MM4			—	GQ1	GT4	—	w/C3A-C3B
		MM5	MX0	—	—	GQ1	H04	w/C3A-C3B
LL2 V6 2.8 Liter EFI	MM4			GQ1	GU6	—	—	w/C3A-C3B
		MM5	MX0	—	GQ1	GT4	—	w/C3A-C3B
<b>—T10603-T10803-T10653</b>								
LN8 L4 2.5 Liter EFI	MM4			—	—	#GQ1	**H04	w/C3A-C3B
		MM5	MX0	—	—	—	GQ1	w/C3A-C3B
LL2 V6 2.8 Liter EFI (Reqs N40 Steering)	MM4			—	—	#GQ1	**H04	w/C3A-C3B
		MM5	MX0	—	—	#GQ1	H04	w/C3A-C3B

#N/A P235/75R15 Tires  
 \$CS10803 Only  
 %N/A CS10603 w/P195/75R14 Tires  
 \*\*Reqs P235/75R15 Tires

### ENGINE RATINGS—ALL STATES

SAE Net Ratings	2.5 Liter 151 EFI L4	2.8 Liter 173-2 BBL V6
Net Horsepower .....	92 @ 4400 rpm	125 @ 4800 rpm
Net Torque, lb-ft .....	134 @ 2800 rpm	150 @ 2200 rpm



**S10/15 2 AND 4 WHEEL DRIVE PICKUP  
OPTIONS WHEN INSTALLED BY GENERAL MOTORS**

*Prices shown are effective with initial shipments of 1988 model motor vehicles*

Description	Option Number	Factory D&H(a)	List Price	Mfr's Suggested Retail Price ◊
<b>Tahoe /Sierra Classic Equipment:</b> (See Interior and Exterior Color Selection Charts) Includes V22 Black and Chromed Grille, black and chromed headlamp bezels, color-keyed door handle inserts, B84 Black Body Side and Bright Wheel Opening Moldings, chromed taillamp molding, special applique on tailgate, D34 Visor Mirror, color-keyed carpeting, courtesy lamps, glove box and ashtray lamps, headlamp warning buzzer, U37 Cigarette Lighter, side window defogger, deluxe vent system, cab back insulation, headliner, Z53 Gage Package with Trip Odometer and VG3 Deluxe Chromed Front Bumper with rub strip.				
Regular Cab. Available only when Special Custom or Custom Trim is specified.				
S1 Regular Cab only. Not available when X81 is specified. Without ZQ8 Sport Suspension or QYH P215/65R15 Tires. Also includes P01 Bright Wheel Covers . . . . .	YC2	N.A.	601.00	601.00
With ZQ8 Sport Suspension or QYH P215/65R15 Tires	YC2	N.A.	561.00	561.00
S1 Extended Cab only. Available only when Special Custom or Custom Trim is specified. Also includes P01 Bright Wheel Covers				
Without QYH P215/65R15 Tires . . . . .	YC2	N.A.	690.00	690.00
With QYH P215/65R15 Tires . . . . .	YC2	N.A.	650.00	650.00
T1 Regular Cab only. Available only when Special Custom or Custom Trim is specified. Also includes P06 Trim Rings				
Without QYH P215/65R15 Tires . . . . .	YC2	N.A.	599.00	599.00
With QYH P215/65R15 Tires . . . . .	YC2	N.A.	688.00	688.00
<b>Sport/Gypsy Equipment:</b> (See Interior and Exterior Color Selection Charts) Available only when Sport Bucket Seats and ZY7 Sport or ZY6 Custom Two-Tone Paint are specified. Includes black grille, black and chromed headlamp bezels, black door handle inserts, B84 Black Body Side Moldings, B74 Black Wheel Opening Moldings, chromed taillamp molding, special applique on tailgate, color-keyed front bumper with rub strip, D34 Visor Mirror, U37 Cigarette Lighter, courtesy lamps, glove box and ashtray lamps, deluxe vent system and side window defogger, headlamp warning buzzer, Z53 Gage Package with Trip Odometer, folding back bucket seats, D55 Console, full color-keyed carpet, cab back insulation, headliner, special steering wheel and column.				
S1 Regular cab only. Not available when X81 is specified.				
Without ZQ8 Sport Suspension or QYH P215/65R15 Tires. Also includes ZJ7 Rally Wheels . . . . .	YC3	N.A.	859.00	859.00
With ZQ8 Sport Suspension or QYH P215/65 Tires	YC3	N.A.	771.00	771.00
S1 Extended Cab only.				
Without QYH P215/65R15 Tires. Also includes ZJ7 Rally Wheels . . . . .	YC3	N.A.	1000.00	1000.00
With QYH P215/65R15 Tires . . . . .	YC3	N.A.	912.00	912.00
T1 Regular Cab only. Also includes P06 Trim Rings . . . . .	YC3	N.A.	809.00	809.00
T1 Extended Cab only. Also includes P06 Trim Rings . . . . .	YC3	N.A.	950.00	950.00
<b>Seat Trim:</b> (See Interior and Exterior Color Selection Chart for availability and ordering information).				
V**1 Vinyl Bench. Not available when YC1, YC2 or YC3 is specified . . . . .	...	NO ADDITIONAL CHARGE		
L**1 Custom Cloth Bench. Not available when X81 or YC3 is specified	...	N.A.	50.00	50.00
Without YC1 or YC2 . . . . .	...	NO ADDITIONAL CHARGE		
With YC1 or YC2 . . . . .	...	N.A.	50.00	50.00
X**1 Custom Vinyl Bench. Not available when X81 or YC3 is specified.	...	NO ADDITIONAL CHARGE		
Without YC1 or YC2 . . . . .	...	N.A.	50.00	50.00
With YC1 or YC2 . . . . .	...	NO ADDITIONAL CHARGE		

(a) D & H Charges on vehicle and optional equipment include reimbursement to ordering Division for any tax that it has paid, incurred or agreed to pay thereon.  
◊ State and local taxes not included.

# S10/15 2 AND 4 WHEEL DRIVE PICKUP

## OPTIONS WHEN INSTALLED BY GENERAL MOTORS

Prices shown are effective with initial shipments of 1986 model motor vehicles

Description	Option Number	Factory D&H(a)	List Price	Mfr's Suggested Retail Price ◇
<b>Seat Trim: (Continued)</b>				
<i>X**4 Custom Vinyl High Back Buckets. Driver and Passenger. Replaces vinyl bench seat.</i>				
<i>Regular Cab only. Not available when X81 is specified.</i>				
Without YC2 or YC1 .....	.....	N.A.	178.00	178.00
With YC2 or YC1 .....	.....	N.A.	128.00	128.00
<i>Extended Cab only</i>				
Without YC2 or YC1 .....	.....	N.A.	191.00	191.00
With YC1 or YC2 .....	.....	N.A.	141.00	141.00
<i>H**4 Special Custom Cloth High Back Buckets.</i>				
<i>Regular Cab only. Not available when X81 is specified.</i>				
Available when YC2 is specified .....	.....	N.A.	128.00	128.00
<i>Extended Cab only</i>				
With YC1 or YC2 .....	.....	N.A.	141.00	141.00
<i>S**4 Sport Cloth High Back Buckets. Not available when X81 is specified. Included when YC3 is specified</i> .....				
NO ADDITIONAL CHARGE				
<i>B**4 High Country Sheepskin High-Back Buckets. Available only when YC2 or YC3 is specified.</i>				
<i>Regular Cab only. Not available when X81 is specified</i>				
With YC2 .....	.....	N.A.	423.00	423.00
With YC3 .....	.....	N.A.	295.00	295.00
<i>Extended Cab only.</i>				
With YC2 .....	.....	N.A.	436.00	436.00
With YC3 .....	.....	N.A.	295.00	295.00
<b>Paints, Exterior: (See Interior and Exterior Color Selection Chart for ordering information and paint application).</b>				
<i>Solid</i> .....	ZY1	NO ADDITIONAL CHARGE		
<i>Custom Two-Tone. Not available when X81 is specified. Includes four-tone body striping. Available only when VT3 or VG3 Bumper or YC3 is specified</i>				
Without D90 Sunshine Striping Package .....	ZY6	N.A.	200.00	200.00
With D90 Sunshine Striping Package .....	ZY6	N.A.	155.00	155.00
With YC3 .....	ZY6	NO ADDITIONAL CHARGE		
<i>Special Two-Tone. Not available when X81 or YC3 is specified. Middle area painted Color Code Two choice.</i>				
<i>Without YC2. Includes B84 Body Side and Bright Wheel Opening Moldings. Available only when VT3 or VG3 Bumpers are specified</i> .....				
With YC2 .....	ZY8	N.A.	311.00	311.00
<i>Sport Two-Tone. Not available when X81 is specified. Included when YC3 is specified.</i>				
<i>Without YC2. Includes paint striping and area below striping painted Color Code Two choice. Available only when VT3 or VG3 Bumpers. are specified</i> .....				
With YC2. Area below B84 Body Side and Bright Wheel Opening Moldings painted Color Code Two choice ..	ZY7	N.A.	227.00	227.00
With YC2. Area below B84 Body Side and Bright Wheel Opening Moldings painted Color Code Two choice ..	ZY7	N.A.	162.00	162.00
<b>Emission Systems: Dealer Note - One of the following emission options must be specified. (See Power Teams Chart for availability and complete specifications.)</b>				
<i>California Emission Requirements. Includes all testing, equipment and /or certification necessary for registration in the state of California. Not Available when NA5 Standard or NA6 High Altitude Emissions are specified</i> .....				
High Altitude Emission Equipment. ....	YF5	N.A.	99.00	99.00
Standard Emission Equipment. Not available when YF5 California or NA6 High Altitude Emissions are specified ..	NA6	NO ADDITIONAL CHARGE		
Standard Emission Equipment. Not available when YF5 California or NA6 High Altitude Emissions are specified ..	NA5	NO ADDITIONAL CHARGE		
<b>Engines: (See Power Teams Chart for availability and complete specifications)</b>				
<i>Gasoline</i>				
2.5 Liter E.F.I. L4. ....	LN8	NO ADDITIONAL CHARGE		
<i>2.8 Liter E.F.I. V6. Not available when X81 is specified. T1 Series available only when N40 Power Steering is specified</i> .....				
.....	LL2	N.A.	275.00	275.00

(a) D & H Charges on vehicle and optional equipment include reimbursement to ordering Division for any tax that it has paid, incurred or agreed to pay thereon.  
 ◇ State and local taxes not included.

# S10/15 2 AND 4 WHEEL DRIVE PICKUP

## OPTIONS WHEN INSTALLED BY GENERAL MOTORS

Prices shown are effective with initial shipments of 1986 model motor vehicles

Description	Option Number	Factory D&H(a)	List Price	Mfr's Suggested Retail Price ◊
<b>Transmissions:</b> (See Power Teams Chart for availability and Complete Specifications)				
4-Speed Automatic with Overdrive. Not available when X81 is specified	MX0	N.A.	895.00	895.00
4-Speed Manual	MM4	NO ADDITIONAL CHARGE		
5-Speed Manual with Overdrive. X81 available only when QFT P205/75R14 Tires are specified	MM5	N.A.	175.00	175.00
<b>Axles, Rear:</b> Not available when X81 is specified (See Power Teams Chart for option number selection, availability and complete specifications)				
Optional Ratio	G80	N.A.	36.00	36.00
Locking Differential	G80	N.A.	238.00	238.00
<b>Tires:</b>				
S1 Series. All Front and Rear rim sizes are 6.00" except when QYH Tires are specified, then rim size is 7.00"				
T1 Series. All Front and Rear rim sizes are 6.00" except when QEB Tires or N90 Wheels are specified, then wheel size is 7.00"				
<b>TUBELESS</b>				
P195/75R14 All Seasons Steel Belted Radial Ply Blackwall (Maximum Capacity 1272-lbs). S1 Series only. (Standard)	QMW	NO ADDITIONAL CHARGE		
P195/75R14 All Seasons Steel Belted Radial Ply Whitewall (Maximum Capacity 1272-lbs). S1 Series only. Not available when X81 is specified	QMX	N.C.	80.00	80.00
P195/75R14 Highway Fiberglass Belted Radial Ply Blackwall (Maximum Capacity 1272-lbs). S1 Series only. Not available when X81 Price leader is specified	QYF	NO ADDITIONAL CHARGE		
P205/75R14 All Seasons Steel Belted Radial Ply Blackwall (Maximum Capacity 1392-lbs). S1 Series only.	QFT	N.C.	40.00	40.00
Without X81	QFT	N.C.	31.00	31.00
With X81. Available only when MM5 5-Speed Transmission is specified	QJR	N.C.	125.00	125.00
P205/75R14 All Seasons Steel Belted Radial Ply White Lettered (Maximum Capacity 1392-lbs). S1 Series only. Not available when X81 is specified	QSA	N.C.	155.00	155.00
P215/65R15 Highway Steel Belted Radial Ply White Lettered (Maximum Capacity 1365-lbs). S1 Series only. Not available when X81 is specified. Includes 15" X 7" Rally Wheels. Included when ZQ8 Sport Suspension is specified.	QYH	N.C.	393.00	393.00
P195/75R15 All Season Steel Belted Radial Ply Blackwall (Maximum Capacity 1342-lbs). T1 Series only. (Standard)	QAR	NO ADDITIONAL CHARGE		
P195/75R15 All Seasons Steel Belted Radial Ply Whitewall (Maximum Capacity 1342-lbs). T1 Series only	QAS	N.C.	80.00	80.00
P195/75R15 Highway Fiberglass Belted Radial Ply Blackwall (Maximum Capacity 1342-lbs). T1 Series only	QYP	NO ADDITIONAL CHARGE		
P205/75R15 All Seasons Steel Belted Radial Ply Blackwall (Maximum Capacity 1453-lbs). T1 Series only	QCE	N.C.	40.00	40.00
P205/75R15 On-Off Road Steel Belted Radial Ply White Lettered (Maximum Capacity 1453-lbs). T1 Series only	QJL	N.C.	200.00	200.00
P205/75R15 All Seasons Steel Belted Radial Ply White Lettered (Maximum Capacity 1453-lbs). T1 Series only	QCF	N.C.	155.00	155.00
P205/75R15 On-Off Road Steel Belted Radial Ply Blackwall (Maximum Capacity 1453-lbs). T1 Series only	QJT	N.C.	85.00	85.00
P235/75R15 On-Off Road Steel Belted Radial Ply White Lettered (Maximum Capacity 1453-lbs). T1 Series only. Included when Z71 Chassis Equipment Package is specified	QEB	N.C.	370.00	370.00

(a) D & H Charges on vehicle and optional equipment include reimbursement to ordering Division for any tax that it has paid, incurred or agreed to pay thereon.  
 ◊ State and local taxes not included.

**S10/15 2 AND 4 WHEEL DRIVE PICKUP  
OPTIONS WHEN INSTALLED BY GENERAL MOTORS**

Prices shown are effective with initial shipments of 1986 model motor vehicles

Description	Option Number	Factory D&H(a)	List Price	Mfr's Suggested Retail Price ◇
<b>OTHER OPTIONS</b>				
<b>Air Cleaner, Pre-Cleaner:</b> Not available when X81 is specified. Available only when LL2 2.8 Liter Engine is specified	K46	N.A.	42.00	42.00
<b>Air Conditioning: All-Weather.</b> Not available when X81 is specified. Includes V01 H.D. Radiator when V02 H.D. Radiator and Transmission Oil Cooler is not specified. T1 Series available only when N40 Power Steering is specified.				
Without YC1, YC2 or YC3 .....	C80	N.A.	740.00	740.00
With YC1, YC2 or YC3 .....	C60	N.A.	705.00	705.00
<b>Battery: Heavy-Duty.</b> 515 Cold Cranking Amps, Delco Freedom. Not available when X81 is specified. Included when V10 Cold-Climate Package is specified.	UA1	N.A.	53.00	53.00
<b>Brakes: Vacuum Power.</b> Standard on T1 Series and S10653 Extended Cab only. Included when C3A 1500-lb or C3C 1625-lb Payload Capacity is specified	J50	N.A.	95.00	95.00
<b>Bumper Equipment:</b>				
<b>Bumpers, Painted.</b> Color-Keyed with rub strip. Available only when ZY6 Custom, ZY7 Sport or ZY8 Special Two-Tone Paint is specified. Not available when X81 or VG3 Bumper is specified.				
Front. Included when YC3 is specified.				
Without YC1 or YC2 .....	VT3	N.A.	60.00	60.00
With YC1 or YC2 .....	VT3	NO ADDITIONAL CHARGE		
Rear Step. Not available when X81 is specified. Available only when VT3 Front Bumper or YC3 is specified	VB2	N.A.	135.00	135.00
<b>Rear Step, Black.</b> Not available when VG3 or VT3 Front Bumpers, YC1, YC2, YC3, ZY6 Custom, ZY7 Sport or ZY8 Special Two-Tone Paint is specified. Only available on X81 when X97 Option Package is specified	V43	N.A.	120.00	120.00
<b>Bumpers Deluxe, Chromed.</b>				
Front with rub strip. Included when YC1 or YC2 is specified. Not available when X81, YC3, VB2 or V43 Step Bumpers are specified	VG3	N.A.	61.00	61.00
Rear with rub strip. Available only when VG3 Chromed Front Bumper, YC1 or YC2 is specified. Not available when X81, YC3 or VT3 Color-Keyed Bumper is specified	VB3	N.A.	217.00	217.00
<b>Bumper Guards, Front, Black.</b> Not available when X81 is specified. Available only when VG3 Deluxe Chromed Bumper, VT3 Color-Keyed Front Bumper, YC1, YC2 or YC3 is specified	V28	N.A.	30.00	30.00
<b>Chassis Equipment: Off Road Package.</b> T1 Series only. Not available when F51 H.D. Shocks are specified. Available only when C3A Payload Capacity is specified. Includes QEB P235/75R15 Tires, special torsion bars, shock absorbers, jounce bumpers and front stabilizer bar, NY7 Transfer Case Shield, NY1 Fuel Tank Shield, P06 Trim Rings and V76 Tow Hooks.				
Without YC1, YC2 or YC3 .....	Z71	N.A.	685.00	685.00
With YC1, YC2 or YC3 .....	Z71	N.A.	629.00	629.00
<b>Cold-Climate Package:</b> Not available when X81 is specified. Includes UA1 H.D. Battery.				
Without YC1, YC2, YC3 or C60 Air Conditioning. Also includes special insulation, carpeting on rear of cab, lower backlite and quarter trim moldings	V10	N.A.	203.00	203.00
With YC2 or YC3 .....	V10	N.A.	101.00	101.00
With YC1 or C60 Air Conditioning .....	V10	N.A.	168.00	168.00
<b>Console: Front Compartment Floor.</b> Not available when X81 is specified. Available only when Bucket Seats are specified. Included with YC3	D55	N.A.	108.00	108.00

(a) D & H Charges on vehicle and optional equipment include reimbursement to ordering Division for any tax that it has paid, incurred or agreed to pay thereon.  
◇ State and local taxes not included.

**S10/15 2 AND 4 WHEEL DRIVE PICKUP**  
**OPTIONS WHEN INSTALLED BY GENERAL MOTORS**  
 Prices shown are effective with initial shipments of 1986 model motor vehicles

Description	Option Number	Factory D&H(a)	List Price	Mfr's Suggested Retail Price◇
<b>OTHER OPTIONS</b>				
<b>Cooling Systems:</b> Not available when X81 is specified.				
<i>Engine Oil, S1 Series only.</i> Available only when LL2 2.8 Liter Engine, MX0 Automatic Transmission and V01 H.D. Radiator or V02 H.D. Radiator and Transmission Oil Cooler are specified.				
	KC4	N.A.	120.00	120.00
<i>Radiator, Heavy-Duty.</i> Not available when V02 H.D. Radiator and Transmission Oil Cooler is specified. Included when C60 Air Conditioning is specified				
	V01	N.A.	53.00	53.00
<i>Radiator and Transmission Oil, Heavy-Duty.</i> Available only when LL2 2.8 Liter Engine and MX0 Transmission is specified.				
Without C60 Air Conditioning	V02	N.A.	112.00	112.00
With C60 Air Conditioning	V02	N.A.	59.00	59.00
<b>Decor, Exterior:</b> Not available when X81 or D90 Sunshine Striping is specified. Includes 4 x 4 decal applied to upper rear corner of the pickup box. The standard 4 x 4 emblem located on the cab pillar is deleted				
	YJ3	N.A.	20.00	20.00
<b>Door Lock System, Power:</b> Not available when X81 is specified. Included when ZQ2 Operating Convenience Package is specified				
	AU3	N.A.	135.00	135.00
<b>EL/Special Option Package:</b> Available only when X81 is specified. Includes full-size spare tire, V43 Black Rear Step Bumper and NK2 Fuel Tank				
With QFT P205/75 R14 Tires	X97	N.A.	221.00	221.00
With QMW P195/75 R14 Tires	X97	N.A.	215.00	215.00
<b>Floor Covering: Mats, Color-Keyed, Front, Removable.</b> Not available when X81 is specified. Available only when YC2 or YC3 is specified				
	B32	N.A.	15.00	15.00
<b>Gages:</b> Not available when X81 is specified.				
<i>Voltmeter, Temperature, Oil Pressure and Trip Odometer.</i> Included when YC2, YC3 or U16 Tachometer is specified				
	Z53	N.A.	58.00	58.00
<i>Tachometer.</i>				
Without YC2 or YC3. Includes Z53 Gage Package	U16	N.A.	113.00	113.00
With YC2 or YC3	U16	N.A.	55.00	55.00
<b>Glass:</b> Not available when X81 is specified.				
<i>Deep Tinted.</i>				
Extended Cab only. Includes dark laminated glass on quarter windows and rear window. Also includes A20 Swing-Out Quarter Windows				
	AJ1	N.A.	135.00	135.00
Regular Cab only. Includes dark laminated glass on rear window and tinted glass for windshield glass, passenger and driver's side door glass.				
	AJ1	N.A.	55.00	55.00
<i>Deep Tinted with Light Tinted Rear Window.</i> Extended Cab only. Not available when AJ1 Deep Tinted glass is specified. Includes dark laminated glass on quarter windows. Also includes A20 Swing-Out Quarter Windows.				
	AA3	N.A.	90.00	90.00
<i>Tinted.</i> All Windows. Standard on Extended Cab only	A01	N.A.	48.00	48.00
<b>Grille: Black and Chromed.</b> Not available when X81 is specified. Included when YC1 or YC2 is specified. Not available when YC3 is specified				
	V22	N.A.	58.00	58.00
<b>Harness, Wiring: 5-Lead.</b> Not available when X81 or Z82 Trailing Special is specified				
	U89	N.A.	39.00	39.00
<b>Heater: Engine Block, 600 watts, 120 volts.</b> Not available when X81 is specified				
	K05	N.A.	31.00	31.00
<b>Lamp: Cargo Area.</b> Not available when X81 is specified. Included when TR9 Auxiliary Lighting is specified.				
	UF2	N.A.	34.00	34.00
<b>Lighter, Cigarette:</b> Not available when X81 is specified. Included when YC1, YC2 or YC3 is specified				
	U37	N.A.	24.00	24.00

(a) D & H Charges on vehicle and optional equipment include reimbursement to ordering Division for any tax that it has paid, incurred or agreed to pay thereon.  
 ◇ State and local taxes not included.

# S10/15 2 AND 4 WHEEL DRIVE PICKUP

## OPTIONS WHEN INSTALLED BY GENERAL MOTORS

Prices shown are effective with initial shipments of 1986 model motor vehicles

Description	Option Number	Factory D&H(s)	List Price	Mfr's Suggested Retail Price $\diamond$
<b>OTHER OPTIONS</b>				
<b>Lighting, Auxiliary:</b> Not available when X81 is specified.				
Regular Cab only. Includes underhood light and UF2 Cargo Lamp.				
Without YC1, YC2 or YC3. Also includes ashtray light, glove box light, and headlamp warning buzzer	TR9	N.A.	67.00	67.00
With YC1, YC2 or YC3	TR9	N.A.	47.00	47.00
Extended Cab only. Includes underhood light and UF2 Cargo Lamp.				
Without YC1, YC2, or YC3. Also includes ashtray light, glove box light and headlamp warning buzzer	TR9	N.A.	67.00	67.00
With YC1, YC2 or YC3	TR9	N.A.	47.00	47.00
<b>Mirrors, Exterior:</b> LH and RH. Below Eye-line Type. 9" x 6.5". Not available when X81 is specified				
Painted	D44	N.A.	50.00	50.00
Bright. Not available when YC3 is specified	D45	N.A.	83.00	83.00
<b>Mirror, Visor:</b> RH. Not available when X81 is specified. Included when YC2 or YC3 is specified				
	D34	N.A.	7.00	7.00
<b>Moldings:</b> Not available when X81 is specified.				
<i>Body Side and Wheel Opening.</i> Included when YC2, YC3 or ZY8 Special Two-Tone Paint is specified. Includes lower side and rear moldings of black plastic with bright trim. Without YC3 also includes B96 Bright Wheel Opening Moldings. With YC3 includes B74 Black Wheel Opening Moldings.				
Without ZY7 Sport Two-Tone Paint	B84	N.A.	144.00	144.00
With ZY7 Sport Two-Tone Paint	B84	N.A.	79.00	79.00
<i>Guards, Door Edge</i>	B93	N.A.	17.00	17.00
<i>Wheel Opening.</i>				
Black. Not available when B96 Bright Wheel Opening Moldings are specified. Included when YC3 is specified.				
Without B84 Body Side and Wheel Opening Moldings	B74	N.A.	41.00	41.00
With B84 Body Side and Wheel Opening Moldings	B74	N.A.	12.00	12.00
Bright. Included when YC2, B84 Body Side and Wheel Opening Moldings or ZY8 Special Two-Tone Paint are specified. Not available when YC3 is specified.				
	B96	N.A.	29.00	29.00
<b>Operating Convenience Package:</b> Not available when X81 is specified. Includes AU3 Power Door Locks and A31 Power Windows				
	ZQ2	N.A.	325.00	325.00
<b>Payload Capacities:</b> (See Power Teams Chart for Engine, Transmission and Axle availability).				
1625-lbs. S1 Regular Cab only. Not available when X81 is specified. Available only when P205 or P215 tires are specified. Includes F59 Stabilizer Bar, extra capacity rear springs and J50 Brakes				
	C3C	N.A.	193.00	193.00
1500-lbs.				
S1 Regular Cab. Not available when X81 is specified. Not available when P205 or P215 Tires are specified. Includes F59 Stabilizer Bar, extra capacity rear springs and J50 Brakes				
	C3A	N.A.	193.00	193.00
S1 Extended Cab. Not available when P205 Tires are specified. Includes F59 Stabilizer Bar and extra capacity rear springs				
	C3A	N.A.	98.00	98.00
	C3A	N.A.	80.00	80.00
T1 Series. Includes extra capacity rear springs				
	C3B	NO ADDITIONAL CHARGE		
1000-lbs				
<b>Preliminary Price Information</b>	B3W	N.A.	N.A.	N.A.

(a) D & H Charges on vehicle and optional equipment include reimbursement to ordering Division for any tax that it has paid, incurred or agreed to pay thereon.  
 $\diamond$  State and local taxes not included.



# STU/15 2 AND 4 WHEEL DRIVE PICKUP

## OPTIONS WHEN INSTALLED BY GENERAL MOTORS

Prices shown are effective with initial shipments of 1986 model motor vehicles

Description	Option Number	Factory D&H(a)	List Price	Mfr's Suggested Retail Price◇
<b>OTHER OPTIONS</b>				
<b>Radio Equipment:</b>				
AM Radio Standard on all models except X81	U63	N.A.	112.00	112.00
AM/FM Radio Not available when X81 is specified	U69	N.A.	82.00	82.00
AM/FM Stereo Radio Electronically Tuned. Not available when X81 is specified	UU9	N.A.	138.00	138.00
AM/FM Stereo Radio with Seek and Scan and Digital Clock. Electronically Tuned. Not available when X81 is specified	UM7	N.A.	197.00	197.00
AM/FM Stereo Radio with Seek and Scan, Stereo Cassette Tape, and Digital Clock. Electronically Tuned. Includes U66 Premium Dual Rear Speakers. Not available when X81 is specified	UM6	N.A.	344.00	344.00
AM Stereo and FM Stereo Radio with Seek and Scan, Stereo Cassette Tape with Search and Repeat, Digital Clock and Graphic Equalizer. Electronically Tuned. Includes U66 Premium Dual Rear Speakers. Not available when X81 is specified	UX1	N.A.	494.00	494.00
Speakers, Premium, Dual Rear. Available only when UU9 or UM7 Radio is specified. Included with UM6 or UX1 Radio. Not available when X81 is specified	U66	N.A.	25.00	25.00
Radio Delete. Not available when X81 is specified	UL5	WILL ADVISE		
<b>Rails, Pickup Box Side:</b> Not available when X81 is specified	D73	N.A.	94.00	94.00
<b>Seats:</b>				
Rear Jump. Extended Cab only. Available only when bucket seats are specified. Jump Seats are vinyl trim	AJ2	N.A.	225.00	225.00
Seat Backs, Adjustable, RH and LH. Extended Cab only. Available only when bucket seats are specified	A78	N.A.	70.00	70.00
<b>Shields:</b> T1 Series only. Included when Z71 Chassis Equipment is specified.				
Fuel Tank. Available only when NY7 Transfer Case Shield is specified	NY1	N.A.	49.00	49.00
Transfer Case. Includes front differential shield. Available only when NY1 Fuel Tank Shield is specified.	NY7	N.A.	67.00	67.00
<b>Shock Absorbers: Heavy-Duty.</b> Front and Rear. Not available when X81 or Z71 Chassis Equipment is specified. Included when ZQ8 Sport Suspension or F60 H.D. Front Suspension is specified				
	F51	N.A.	34.00	34.00
<b>Speed Control, Electronic:</b> Not available when X81 is specified				
	K34	N.A.	195.00	195.00
<b>Stabilizer Bar: Front.</b> Standard on T1 Series. Not available when X81 is specified. Included when C3A 1500-lb or C3C 1625-lb Payload Capacity is specified				
	F59	N.A.	38.00	38.00
<b>Steering: (One of the following steering options must be specified.)</b>				
Power. Not available when X81 is specified. Included when ZQ8 Sport Suspension Equipment is specified	N40	N.A.	260.00	260.00
Power, Not Desired. Not available when Z82 Trailing Special is specified	N51	NO ADDITIONAL CHARGE		
<b>Steering Wheel: Comfortilt</b> Not available when X81 is specified	N33	N.A.	115.00	115.00
<b>Striping, Body:</b> Available only when ZY1 Solid Paint and the following stripe color is specified. Not available when X81, B84 Body Side and Wheel Opening Moldings or YC3 is specified. Included when ZY7 Sport Two-Tone Paint is specified. (See interior and exterior Color Availability Charts for Ordering Information.)				
	D85	N.A.	65.00	65.00
<b>Stripe Color:</b>				
Black	19A	NO ADDITIONAL CHARGE		
Blue, Dark	28A	NO ADDITIONAL CHARGE		
Gold	67A	NO ADDITIONAL CHARGE		
Red	72A	NO ADDITIONAL CHARGE		
Silver	17A	NO ADDITIONAL CHARGE		
White	12A	NO ADDITIONAL CHARGE		

(a) D & H Charges on vehicle and optional equipment include reimbursement to ordering Division for any tax that it has paid, incurred or agreed to pay thereon.  
 ◇ State and local taxes not included.

# S10/15 2 AND 4 WHEEL DRIVE PICKUP

## OPTIONS WHEN INSTALLED BY GENERAL MOTORS

Prices shown are effective with initial shipments of 1986 model motor vehicles

Description	Option Number	Factory D&H(a)	List Price	Mfr's Suggested Retail Price◇
<b>OTHER OPTIONS</b>				
<b>Rally Striping:</b> Not available when X81 Price leader is specified. Available only when ZY1 Paint and stripe color is specified. (See Interior and Exterior Color Availability Charts for Ordering Information)	D98	N.A.	80.00	80.00
<b>Sunshine Striping:</b> Available only when ZY1 Solid Paint or ZY8 Custom Two-Tone Paint is specified. Includes 4 decal stripes along the full length of the vehicle. (See Interior and Exterior Color Availability Charts for Ordering Information) Available only when stripe color is specified.	D90	N.A.	110.00	110.00
<b>Suspension Equipment:</b> <i>Front, Heavy Duty, T1 series only.</i> Includes F51 H.D. Front and Rear Shock Absorbers. Recommended for snowplow type usage only	F60	N.A.	59.00	59.00
<i>Sport.</i> S1 Regular Cab only. Not available when X81 is specified. Available only when C3C 1625-lb payload is specified. Includes F51 H.D. Front and Rear Shocks, N40 Power Steering, QYH P215/65R15 Tires and 15" x 7" rally wheels	ZQ8	N.A.	639.00	639.00
<b>Tank, Fuel:</b> LH Frame Mounted. Only available on X81 when X97 Option Package is specified. Replaces Standard Production Fuel Tank. Approximately 20-gallon capacity	NK2	N.A.	49.00	49.00
<b>Towing Device:</b> Two front hooks. T1 Series only. Included when Z71 Chassis Equipment is specified	V76	N.A.	36.00	36.00
<b>Trailer Special:</b> (See Trailering Guide for GCW ratings with available power train combinations.) Heavy-Duty. Not available when X81 is specified. Available only when LL2 2.8 Liter Engine, MX0 Transmission, N40 Power Steering, V02 H.D. Radiator and Transmission Oil Cooler and C3A or C3C Payload Capacity Option are specified. T1 Series available only when 4.11 Rear Axle is specified. S1 Series available only when 3.73 Rear Axle Ratio is specified Includes 7-lead wiring harness, weight distributing hitch platform and H.D. flasher.	Z82	N.A.	199.00	199.00
<b>Wheel Trim:</b> Not available when X81 is specified <i>Trim Rings.</i> Not available on S1 series when YC2 is specified. Included when Z71 Chassis Equipment, YC1 or YC3 is specified	P06	N.A.	56.00	56.00
<i>Wheel Covers.</i> S1 Series only. Not available when P06 Trim Rings, ZQ8 Sport Suspension Equipment, QYH P215 Tires, YC3 or ZJ7 Rally Wheels are specified. Included when YC2 is specified				
Without YC1	P01	N.A.	40.00	40.00
With YC1	P01	N.A.	(-16.00)	(-16.00)
<b>Wheels:</b> Not available when X81 is specified. <i>Aluminum.</i> Cast. Wheel size 7". Four wheels only. T1 Series only. Not available when QYP, QAR or QAS P195 Tires are specified.				
Without YC1, YC2, YC3 or Z71 Chassis Equipment Package	N90	N.A.	294.00	294.00
With YC1, YC2, YC3 or Z71 Chassis Equipment Package	N90	N.A.	238.00	238.00
<i>Rally.</i> Wheel size 14"x6". Painted argent with P06 Trim Rings and special hub caps. Four Wheels only. S1 Series only. Not available when ZQ8 Sport Suspension or QYH P215 tires are specified.				
Without YC1 or YC2	ZJ7	N.A.	88.00	88.00
With YC1	ZJ7	N.A.	32.00	32.00
With YC2	ZJ7	N.A.	48.00	48.00
<b>Windows:</b> Not available when X81 is specified. <i>Power.</i> Included when ZQ2 Operating Convenience Package is specified	A31	N.A.	190.00	190.00
<i>Sliding Rear.</i> Not available when AJ1 Deep Tinted Glass is specified	A28	N.A.	107.00	107.00
<i>Swing-Out Quarter.</i> Extended Cab only. Included with AJ1 or AA3 Deep Tinted Glass	A20	N.A.	41.00	41.00

(a) D & H Charges on vehicle and optional equipment include reimbursement to ordering Division for any tax that it has paid, incurred or agreed to pay thereon.  
◇ State and local taxes not included.



# **S-10/15 PICKUP 2- & 4-WHEEL DRIVE**

**CAB & BODY FEATURES  
CAB CONSTRUCTION  
CAB DIMENSIONS  
COLOR & TRIM CHARTS  
TWO-TONES**

# S-10/15 PICKUP 2- & 4-WHEEL DRIVE

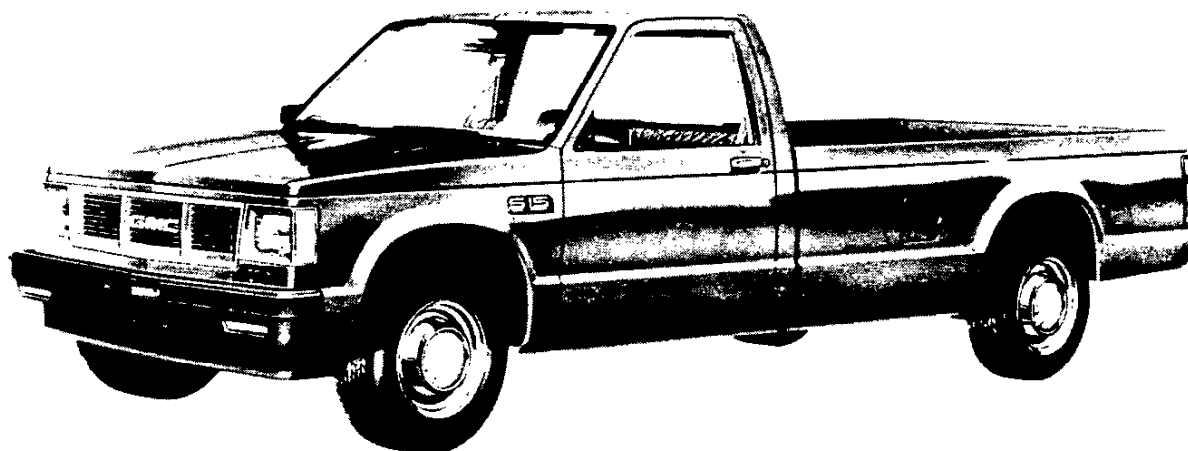
## STANDARD MODEL—FEATURES

The standard models include the following items as standard equipment



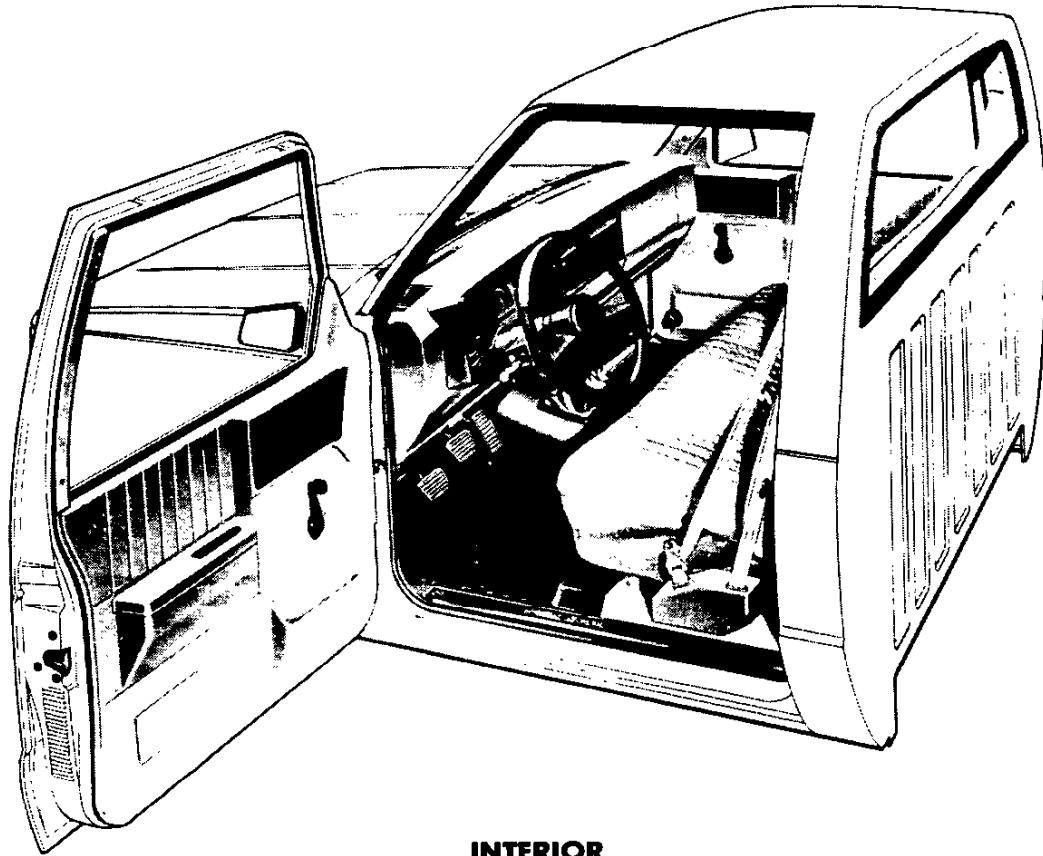
### EXTERIOR

- **Bumper:** Front; painted low-gloss black; incorporating parking lamps
- **Color:** See Interior and Exterior Color Selection Chart
- **Grille:** Molded plastic; painted dark argent; integral Chevrolet emblem/GMC letters at center of grille
- **Glass:** Tinted, all windows (Extended cabs only)
- **Headlamp-Front Side Marker Lamp Bezels:** Molded plastic with chromed finish
- **Horn:** Single, electric, high-note
- **Hub Caps:** Bright metal with black trim
- **Keys:** Two-key system; with separate keys for ignition switch and door locks
- **Lettering, Tailgate:** Black or silver decal on Chevrolet/GMC letters depending on exterior color
- **Lights:**
  - Backup lamps: Two rear (integral with taillamps)
  - Combination parking/direction/hazard: Two front
  - Combination tail/stop/direction/hazard: Two rear
- **Headlamps:** Two, rectangular. Halogen type (except EL/Special model)
- **License plate lamp:** Single rear
- **Side marker lamps with reflectors:** Two front; two rear (integral with taillamps)
- **Mirrors:** RH and LH fixed arm with adjustable 6½" wide x 4" high aerodynamic heads; low gloss black finish. RH mirror is convex
- **Moldings:** Low-gloss black windshield
- **Nameplates:** Bright "S-10/S-15 Sierra" nameplates on front fenders near doors. Diesel engine models have a diesel nameplate under LH headlamp. 4-wheel-drive models have "4x4" nameplates on cab rear corner panels
- **Pickup Box:** Steel floor, welded double wall construction; painted body color
- **Spare Tire Carrier:** Winch-type; mounted under frame at rear
- **Wheels:** Painted argent
- **Windshield Wipers and Washers:** Electric, 2-speed wipers with low-gloss black finish on exposed metal portions; coordinated washer with fluidic oscillator at center of plenum inlet grille



## S-10/15 PICKUP 2- & 4-WHEEL DRIVE STANDARD MODEL—FEATURES

The standard models include the following items as standard equipment



### INTERIOR

- **Armrests:** RH and LH padded; integral with door trim panels
- **Ashtray:** In middle of instrument panel
- **Coat Hook:** RH side
- **Colors:**  
Painted areas: Same as exterior primary color choice  
Interior trim: Coordinated with seat trim color choice
- **Door Sill Plates:** Door-opening protection and floor mat retention; full-length; black plastic
- **Door Trim Panels:** Color-keyed, embossed molded plastic with integral armrests and black housing in door latch release handle area
- **Floor Covering:** Embossed black rubber mat (partial only on conventional cab)
- **Grab Handle:** Over RH door (4x4 models only)
- **Headliner:** Color-keyed; partial roof coverage; styrene laminate with thin foam and cloth cover (full foam and full coverage on extended cab)
- **Heater and Defogger:** Conventional outside air type
- **Hood Lock Release:** Handle located under LH side of instrument panel
- **Instrument Panel Trim:** Textured argent finish for instrument cluster bezel, central control panel (black center area), stowage box door, and RH/LH air conditioning outlet cover plates
- **Instruments:**  
Gages: Speedometer, odometer and fuel  
Switches: Main, for control of exterior lights, instrument cluster lights, and cab interior lights; combination steering column switch for direction signals by moving lever up and down, headlamp beams by moving lever fore and aft, and windshield wiper and washer by turning lever to wipe and pressing lever in to wash; hazard warning; heater fan; ignition with key-in warning buzzer  
Warning lights: Generator, oil pressure, engine temperature, seat belt, service-parking brake, direction/hazard signal, and high beam
- **Instrument Panel Control Knobs:** Soft black plastic (except heater and wiper-washer controls) with white graphic identification
- **Instrument Panel Pad:** Color-keyed, energy-absorbing foam type with injection molded plastic substrate
- **Insulation and Sound Deadening Material:** On dash (fire-wall), under floor mat, spray deadener inside of doors, plugs on windshield pillars, on roof underside, and on headliner
- **Lights:** Instrument cluster and cab interior lights. Dome light (except EL/Special model) (includes door-operated switches for dome and cab interior lights)
- **Mirror, Rearview:** 10' prismatic with soft vinyl rim
- **Radio:** AM (except EL/Special model)
- **Seats:** Full-width, full depth foam bench-type with folding backrest. All-vinyl embossed grained seat trim is standard. Also available at extra cost: 1) (for regular cabs only) Leather grained custom vinyl bench seat; 2) Leather grained custom vinyl bucket seats; or 3) (for extended cabs only) Leather grained vinyl trimmed rear jump seats. See Interior and Exterior Color Selection Chart for color and trim availability
- **Seat Belts:** Non-detachable combination lap and shoulder belts for outboard positions with emergency-locking retractors; lap belt with manual adjustment for center position. All seat belts are color-keyed with pushbutton type buckles
- **Steering Wheel and Column:** 15¼" black, soft plastic wheel with 2 spokes; black energy-absorbing steering column with anti-theft locking feature
- **Stowage Box:** In RH side of instrument panel; with bright key-operated lock and "S-10/S-15 Sierra" nameplate; lock operated by door key
- **Sunshades:** RH and LH padded; color-keyed
- **Tools:** Mechanical jack and wheel wrench behind seat on RH side
- **Trim Panels and Moldings:** Color-keyed moldings on windshield pillars, upper rear quarter trim panels on extended cab, and jack cover on extended cab (charcoal)

## S-10/15 PICKUP 2- & 4-WHEEL DRIVE DURANGO/HIGH SIERRA MODEL OPTION — RPO YC1

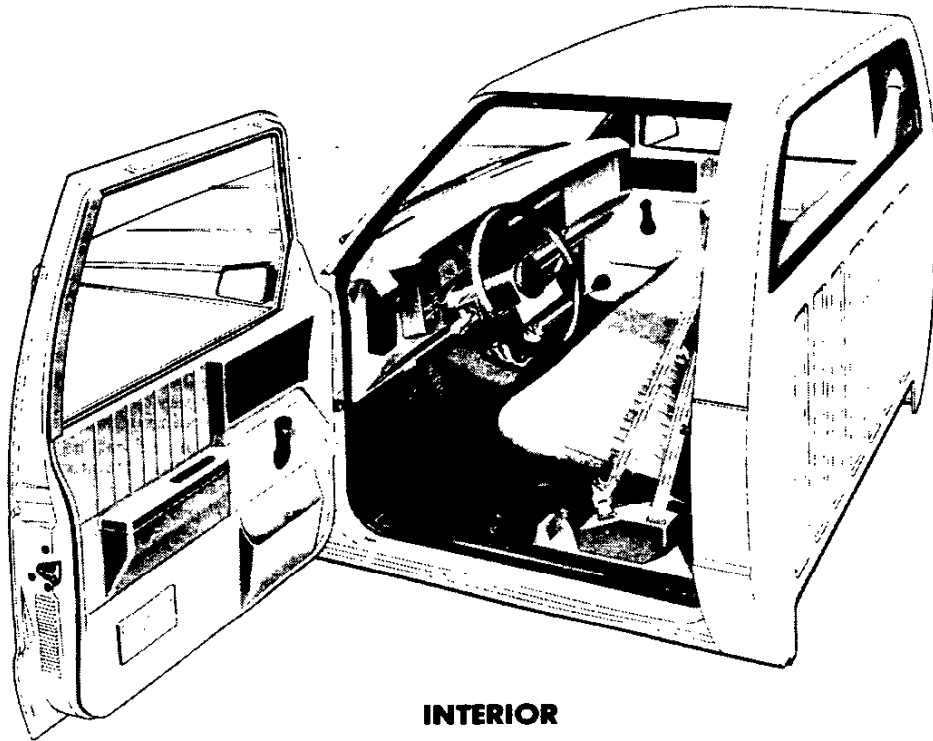
This option includes all standard model items plus the additions or substitutions listed below



Chevrolet model shown (GMC model available)

### EXTERIOR

- **Bright Appearance Items:**
  - "Durango/High Sierra" nameplates with series designation on front fenders
  - Front bumper (Includes black rub strip)
  - Trim on bumper rub strips
- **Trim on black grille**
- **Taillamp trim**
- **Wheel trim rings**
- **Lettering, Tailgate:** Same as for standard model except reflectorized (reflects at night)



### INTERIOR

- **Bright Appearance Items:**
  - "Durango/High Sierra" nameplate on stowage box door
  - Dome lamp trim
- **Cigar Lighter:** With ashtray light
- **Door Trim Panels:** Black trim plate below door latch release handle area
- **Floor Covering:** Color-keyed rubber mat for entire floor area
- **Headlamp Warning Buzzer**
- **Heater and Defogger:** Deluxe outside air type with power center and outboard instrument panel vents and side window defoggers
- **Insulation and Sound Deadening Material:** Under floor mat
- **Jack Cover:** Color-keyed (extended cab only)
- **Seats:** Choice of: 1) textured velour custom cloth/vinyl trim; or 2) leather grained custom vinyl trim. Also available at extra cost: 1) leather grained custom vinyl bucket seats; 2) (for extended cabs only) dual-tone woven special custom cloth/vinyl trim bucket seats; or 3) (for extended cabs only) leather grained custom vinyl trimmed rear jump seats mounted to the rear compartment side walls. See Interior and Exterior Color Selection Chart for color and trim availability
- **Steering Wheel and Column:** Deluxe; color-keyed
- **Stowage Box Light**

## S-10/15 PICKUP 2- & 4-WHEEL DRIVE

### TAHOE/SIERRA CLASSIC MODEL OPTION—RPO YC2

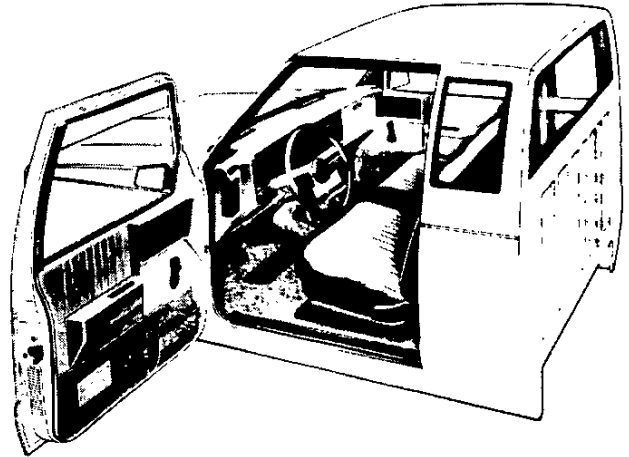
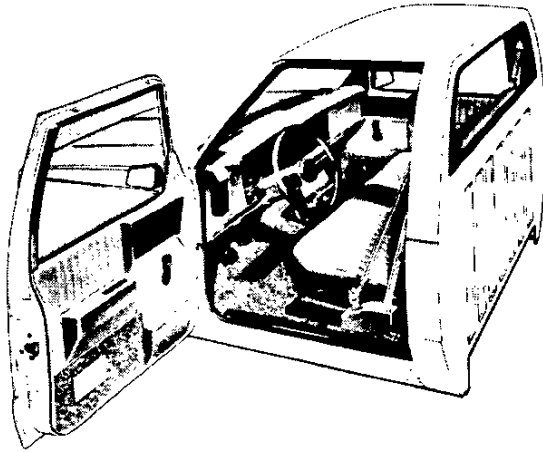
This option includes all of the Durango/High Sierra model option items plus the additions or substitutions listed below



GMC model shown (Chevrolet model available)

#### EXTERIOR

- **Bright Appearance Items:**
  - "Tahoe/Sierra Classic" nameplates with series designation on front fenders
  - Body side molding trim
  - Bright wheel opening lip moldings
  - Wheel covers (2-wheel drive models); Hub caps and trim rings (4-wheel drive models)
  - Delete wheel trim rings (2-wheel drive models only)
- **Cab-to-Fender Insulators**
- **Door Handle Inserts:** Body color
- **Hood Insulator**
- **Moldings:** Black plastic body side moldings with bright insert
- **Tailgate Trim:** Black applique with bright "Chevrolet/GMC" lettering and trim
- **Wheels:** Painted black (2-wheel drive models); Painted argent (4-wheel drive models)



#### INTERIOR

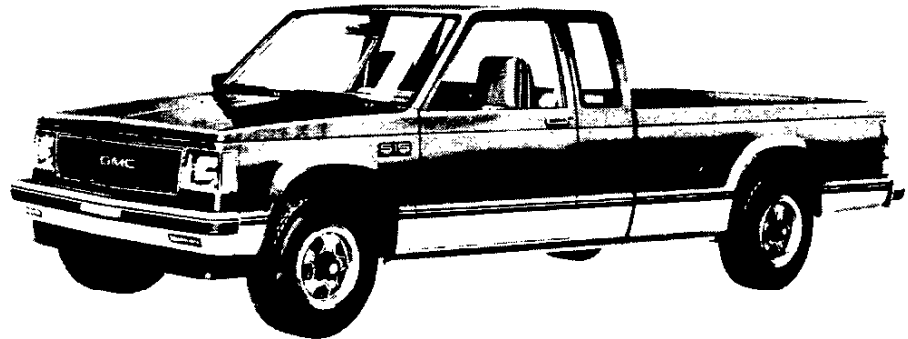
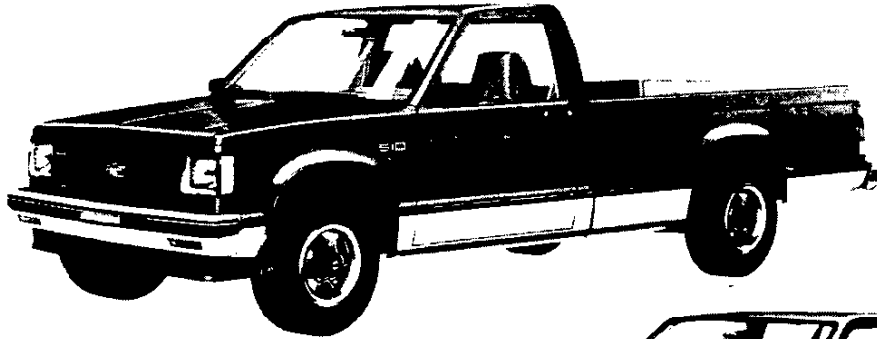
- **Bright Appearance Items:**
  - "Tahoe/Sierra Classic" nameplate on stowage box door
  - Trim on instrument panel
  - Trim on door trim panels
- **Door Trim Panels:** Special custom cloth insert plus brush-finished applique in regulator area; carpeted lower insert with pocket, plus coin holder in LH door
- **Floor Covering:** Color-keyed carpeting for entire floor area and on cab back panel
- **Headliner:** Full coverage molded styrene; full foam with color-keyed cloth cover (conventional cab)
- **Instrument Cluster:** Voltmeter, oil pressure gage and engine temperature gage replace warning lamps; also includes trip odometer
- **Instrument Panel Trim:** Brushed metal finish replaces textured argent finish
- **Insulation and Sound Deadening Material:** On plenum panels (part of specific dash mat), under floor and cab back panel carpeting, on floor and cab back panel carpeting, extra-thick on headliner, on door trim panels, and on lower portion of instrument panel
- **Seats:** Choice of: 1) leather grained custom vinyl bench seat; or 2) textured velour custom cloth bench seat. Also available at extra cost: 1) leather grained custom vinyl bucket seats; 2) dual-tone woven special custom cloth bucket seats; 3) High Country sheepskin bucket seats; or 4) (for extended cabs only) two leather grained custom vinyl trimmed rear jump seats mounted to the rear compartment side walls
- **Trim Panels and Moldings:** Color-keyed cowl kick panels; upper (conventional cab) and lower rear quarter panels; lower backlight molding, and jack cover (conventional cab)
- **Visor Mirror:** On RH sun visor



# S-10/15 PICKUP 2- & 4-WHEEL DRIVE

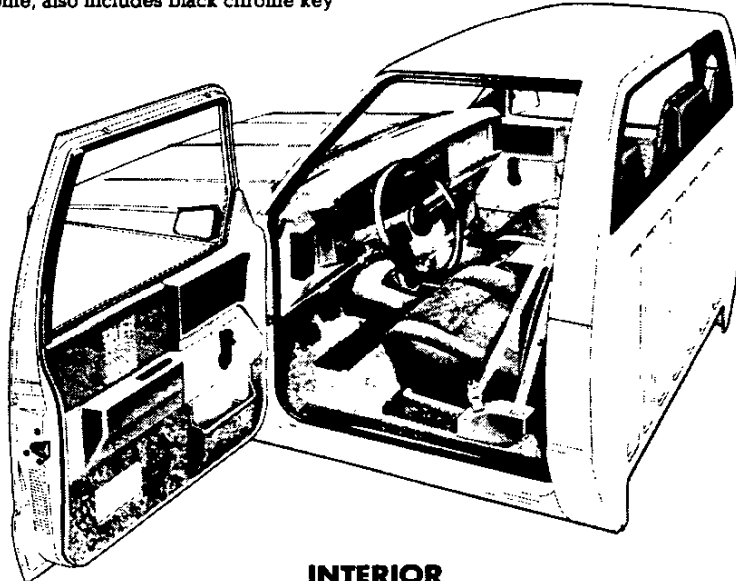
## SPORT/GYPSY MODEL OPTION—RPO YC3

This option includes all items in the Tahoe/Sierra Classic model option plus the additions or substitutions listed below



### EXTERIOR

- **Bright Appearance Items:**
  - "Sport/Gypsy" nameplates with series designation on front fenders
  - Wheel trim rings (4-wheel drive models only)
  - Delete bright wheel opening lip moldings
- **Bumper:** Color-keyed to lower accent color, with black rub strips
- **Door Handles:** Black chrome; also includes black chrome key cylinder covers
- **Grille:** Black chrome grille and headlamp bezels
- **Two-Tone Paint:** ZY7 lower-accent paint
- **Wheels:** Styled; painted argent with black trim; includes black ornamental hubs and red stripe on 2-wheel drive models; black ornamental hubs and trim rings on 4-wheel drive models
- **Wheel Opening Lip Moldings:** Black plastic



### INTERIOR

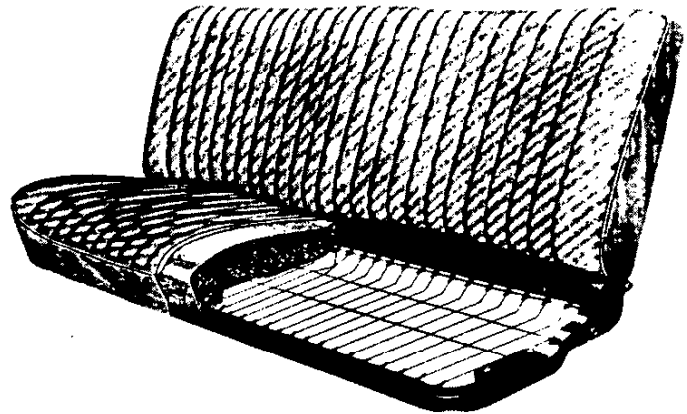
- **Bright Appearance Items:**
  - "Sport/Gypsy" nameplate on stowage box door
  - Trim on steering wheel
- **Console:** Color-keyed molded plastic with lockable stowage compartment; lock operated by door key
- **Door Trim Panels:** Special cloth insert to match seat trim
- **Seats:** High back buckets with sport cloth trim. Also available at extra cost: High Country sheepskin bucket seats. See Interior and Exterior Color Selection Chart for color and trim availability
- **Steering Wheel:** Color-keyed sport type with bright shroud

# S-10/15 PICKUP 2- & 4-WHEEL DRIVE

## PICKUP SEATS

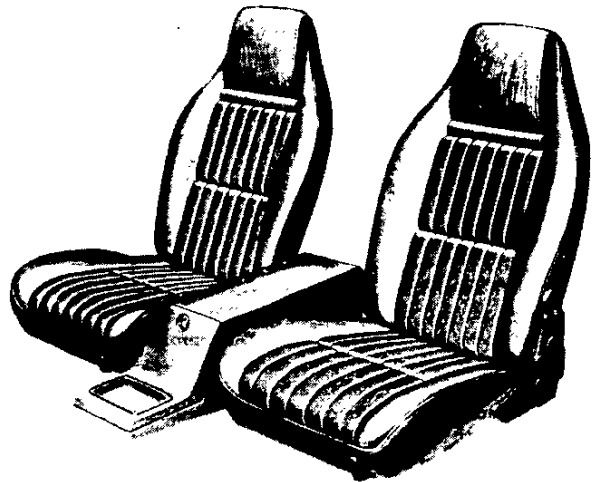
### **STANDARD FULL-DEPTH FOAM SEAT**

Molded polyurethane foam pads over a steel cushion spring and frame assembly and a backrest frame assembly provide resilient support for driver and passengers, with an extra-thick pad employed for the cushion. A folding type backrest with inertia latch is used, providing convenient access to the stowage area behind the seat. Seats are adjustable fore and aft. Trim is durable, easy-to-clean vinyl.



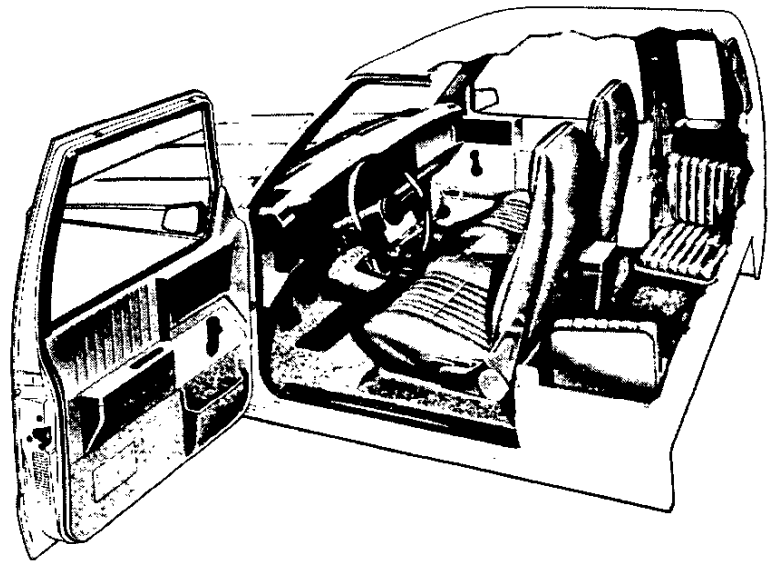
### **FRONT BUCKET SEATS (Custom Vinyl Seat Trim Shown)**

This option consists of two high back bucket-type seats with foam padding and folding backrests with inertia latches. They are standard on Sport/Gypsy models and are available for all other models. A lockable color-keyed plastic center console with spacious stowage compartment is available when bucket seats are ordered on base Durango/High Sierra, or Tahoe/Sierra Classic models. This console is included with the Sport/Gypsy Model Option.

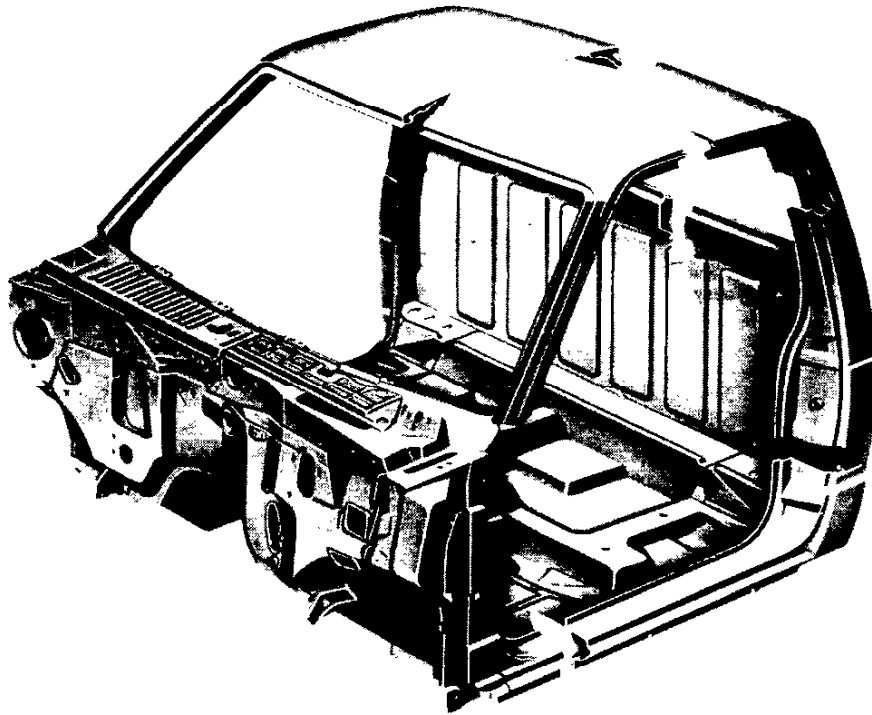


### **FOLDING JUMP SEATS**

This option consists of two folding jump seats mounted on Extended Cab rear side-walls. They may be left folded for cargo carrying or unfolded to carry two additional passengers. Bucket seats are required when this option is ordered, and they are included when Sport/Gypsy is ordered on Extended Cab models. Trim on these seats is always Custom Vinyl.



## S-10/15 PICKUP 2- & 4-WHEEL DRIVE



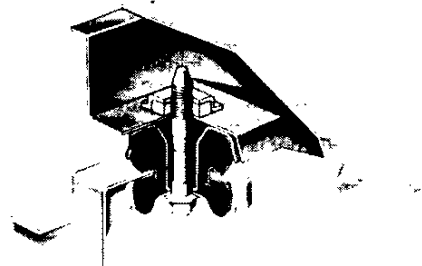
### Cab Construction

Two cab configurations are used; the regular cab and the extended cab. Both are 2-door cabs, but the extended cab has approximately 14.6" of added space behind the 3 passenger seat. Provisions are made to enable the addition of 2 optional jump seats if desired. Both utilize all-steel, welded construction. A plenum chamber with high level, screened air intake is incorporated in the front end structure for interior ventilation. Single-wall

construction is utilized throughout the remainder of the cab except in the upper back panel area. A cathodic ELPO primer is used throughout and coated steel is used in most areas to reduce sheet metal corrosion. Body joints are filled with pumpable sealer. A 4-point mounting system is utilized for the cab, and the radiator support is mounted on frame outriggers.

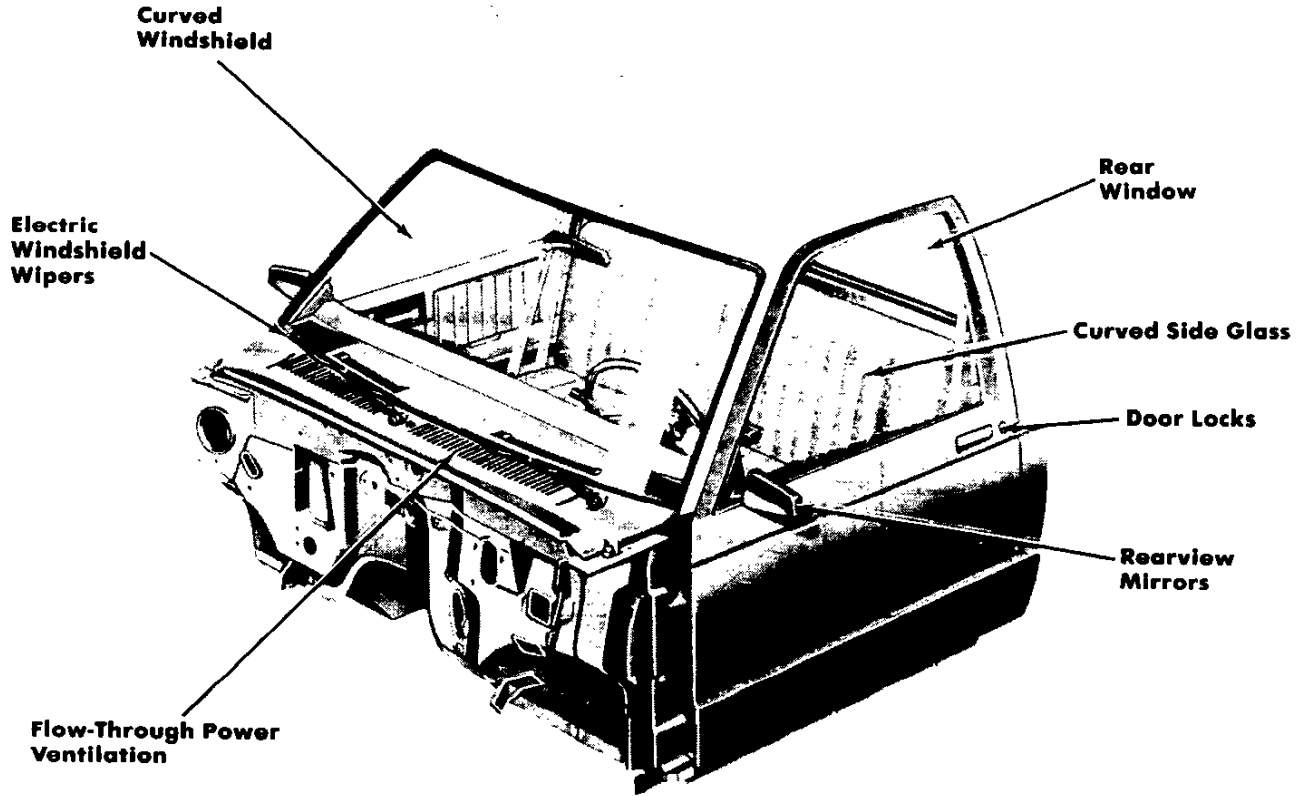
### Cab Mountings

All mounts are the double rubber biscuit type.



# S-10/15 PICKUP 2- & 4-WHEEL DRIVE

## STANDARD CAB FEATURES



**Curved Windshield**—The large, one-piece windshield of laminated safety glass is urethane bonded into the windshield frame and has an area of approximately 1138.5 square inches for excellent visibility.

**Curved Rear Window**—The rear window is of solid tempered safety glass and is curved to prevent road reflections on the inside rear view mirror. It has a 617.5 square inch area.

**Electric Windshield Wipers**—High-capacity, 2-speed motor provides constant wiping action regardless of engine load or accelerator

position. Wipers have 16-inch blades. Wiper arms and the metal portions of the blades have a low gloss black finish. Electric washers with a 5.7-pint capacity reservoir are also standard. A "Fluidics" washer nozzle assures efficient washing action.

**Curved Side Glass**—Curved door windows are of solid tempered safety glass with an area of 409.5 square inches for each side.

**Rearview Mirrors**—Standard chrome exterior mirrors are of the fixed arm type with 6½" wide x 4" high adjustable aerodynamic

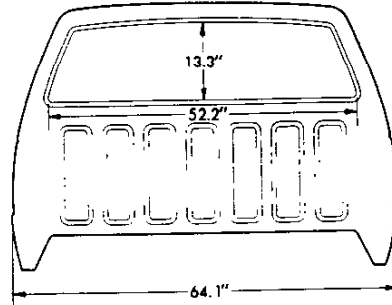
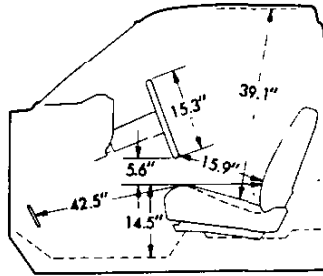
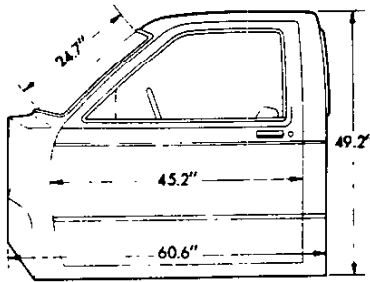
heads and a low gloss black finish. Both right-hand and left-hand units are provided, with convex glass used for the RH mirror.

Optional mirror combinations are also available. See the Optional Equipment listing.

**Door Locks**—All cab models include left & right hand key-operated (front) door locks as standard equipment. Actuation of inside lock levers prevents accidental door opening and provides keyless door locking when leaving the vehicle. Door lock key is separate from the ignition key for theft protection.

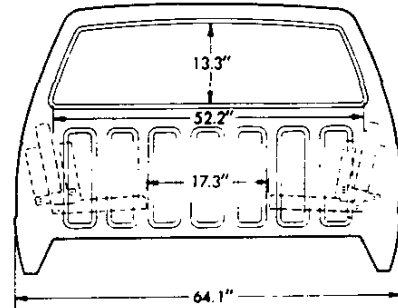
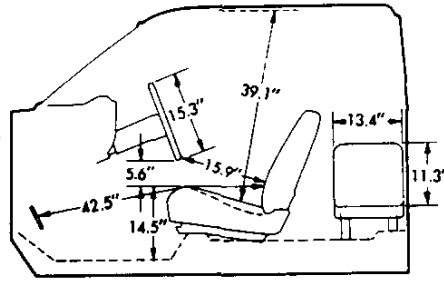
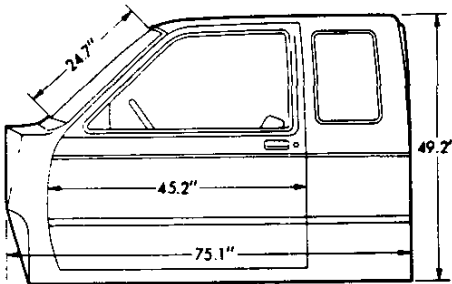
# S-10/15 PICKUP 2- & 4-WHEEL DRIVE

## CAB DIMENSIONS\*



### Glass Area (sq in)

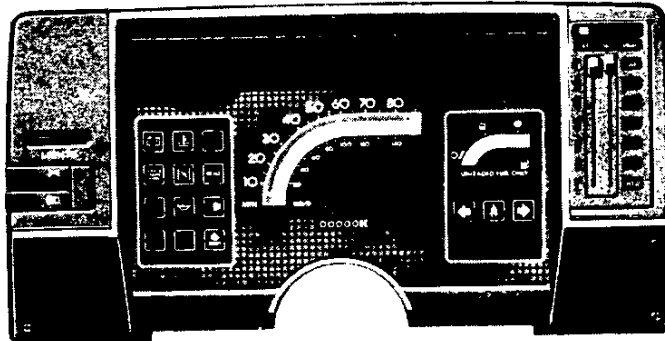
Windshield.....	1138.5	Rear side windows (each side).....	150.0
Front side door window (each side).....	409.5	Rear window.....	617.5



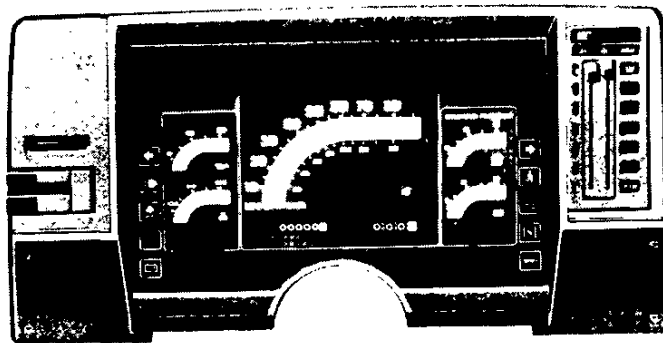
\*All interior dimensions measured with front seat in rearmost position. Seat travel is 5"

## INSTRUMENT CLUSTER

**Standard Cluster** with warning lights for engine temperature, generator, and oil pressure.

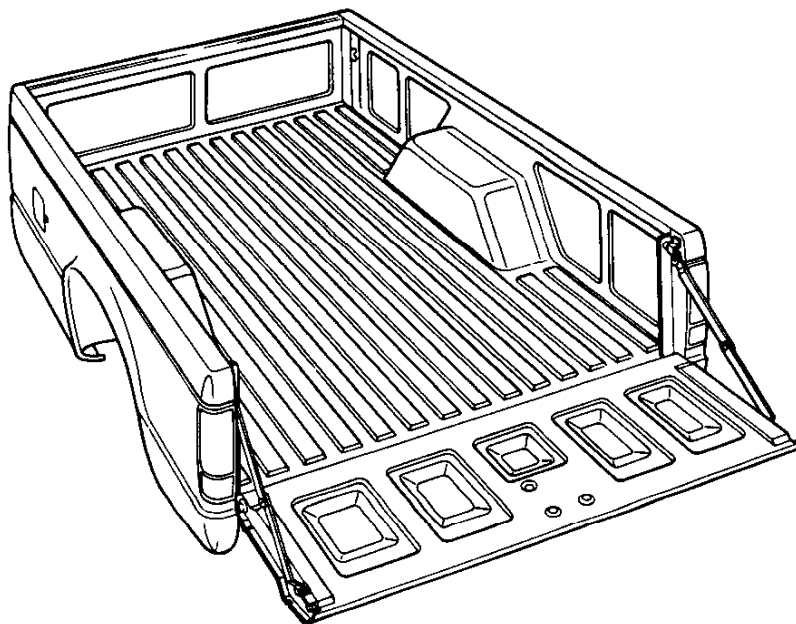
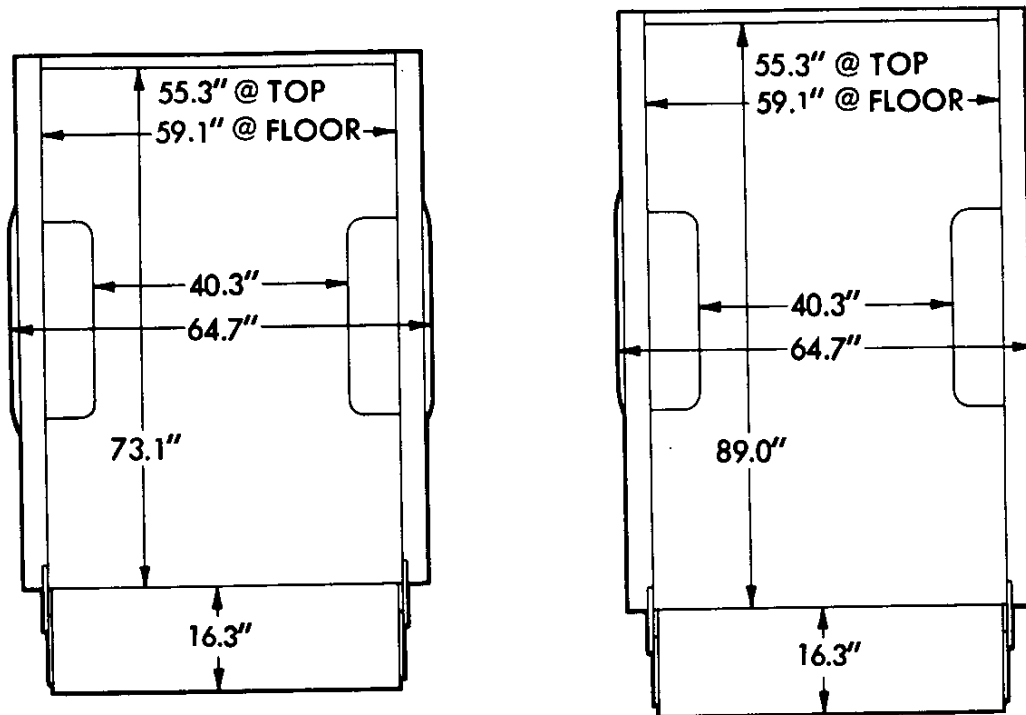


**Optional Cluster (RPO Z53)** with volt-meter, engine temperature gage, oil pressure gage and trip odometer. Included with Tachometer (RPO U16) and in Tahoe/Sierra Classic model options (RPO YC2) and Sport/Gypsy model options (RPO YC3) along with bright brush-finished trim, as illustrated (optional tachometer also shown in illustration.) Cluster faceplate for standard models and Durango/High Sierra model options (RPO YC1) has argent finish. When the optional tachometer is ordered it replaces the regular fuel gage, and another fuel gage is added.



# S-10/15 PICKUP 2- & 4-WHEEL DRIVE PICKUP BOX

Body Ordering Code E63  
DIMENSIONS



The all steel, welded pickup box is built in both 6- and 7.5-foot nominal lengths with approximate 35 and 43 cubic ft. capacities respectively. Integral skid strips are incorporated into the load floor. Vertical rear lamps with bright bezels are incorporated into the corner posts. Double-walled construction is used in the side panels and tailgate to prevent load dents from marring the appearance of the outer panels.

The ELPO electro-coating process is used to prime the completely assembled cargo box to assure that all surfaces of all components—even surfaces not visible—receive a coat of prime paint. Side outer panels and tailgate are fabricated of zinc coated steel and galvanized steel is used for platform panels and rear wheelhousings to provide additional corrosion protection.

A tight-fitting full-width tailgate holds such loads as grain and sand with minimal loss. It is operated by a mechanically actuated latch and retained in the horizontal position by hinged steel support straps. The tailgate latch features one-hand operation for easy opening and closing.

The vertical structural support welded into each corner of the pickup box has a round metal loop at the upper end to serve as a cargo tie-down.

# S-10/15 PICKUP 2- & 4-WHEEL DRIVE

## INTERIOR AND EXTERIOR COLOR AVAILABILITY CHART

### WITH D85 BODY STRIPING

**Please Note:** Below are the interior trim color and exterior paint combinations *recommended* by Chevrolet/GMC. The only available color code 1/color code 2 exterior color combinations are those shown in the chart below; however, any available interior trim color may be ordered with one of these exterior color combinations if that particular combination is desired by the customer.

INTERIOR COLORS		Decor	Blue	Carmine	Charcoal	Saddle Tan	D85 STRIPING CHART RECOMMENDED COMBINATIONS Additional stripe combinations are available except where N/A is shown, provided the dealer orders D85 as verification (N/A B84 YC2 or YC3)						
<b>STANDARD INTERIOR</b>		Std	VDD1	VRR1	VJJ1	VSS1							
Vinyl Bench Seat			LDD1	LRR1	LJJ1	LSS1							
Custom Cloth Bench Seat			XDD1	XRR1	XJJ1	XSS1							
Custom Vinyl Bench Seat			XDD4	XRR4	XJJ4	XSS4							
Custom Vinyl High Back Bucket Seats													
<b>DURANGO/HIGH SIERRA</b>		YC1	XDD1	XRR1	XJJ1	XSS1							
Custom Vinyl Bench Seat			LDD1	LRR1	LJJ1	LSS1							
Custom Cloth Bench Seat			XDD4	XRR4	XJJ4	XSS4							
Custom Vinyl High Back Bucket Seats													
Special Custom Cloth High Back Bucket Seats (S/T10653 only)			HDD4	HRR4	HJJ4	HSS4							
<b>TAHOE/SIERRA CLASSIC</b>		YC2	XDD1	XRR1	XJJ1	XSS1							
Custom Vinyl Bench Seat			LDD1	LRR1	LJJ1	LSS1							
Custom Cloth Bench Seat			XDD4	XRR4	XJJ4	XSS4							
Custom Vinyl High Back Bucket Seats													
Special Custom Cloth High Back Bucket Seats			HDD4	HRR4	HJJ4	HSS4							
High Country Sheepskin High Back Bucket Seats						BSS4							
<b>SPORT/GYPSY (Reqs ZY6 or ZY7 Paint)</b>		YC3			SJJ4	SSS4							
Sport Cloth High Back Bucket Seats							BSS4						
High Country Sheepskin High Back Bucket Seats						BSS4							

EXTERIOR COLORS w/ZY1 PAINT	Color Code 1	Color Code 2	RECOMMENDED INTERIOR TRIM COLORS					STRIPING COLORS					
			Black 19A	Blue Dark 28A	Gold 67A	Red 72A	Silver 17A	White 12A					
BLACK MIDNIGHT	19	19		X									
BLACK MIDNIGHT	19	19			X								
BLACK MIDNIGHT	19	19				X							
BLUE GALAXY (Metallic)	28	28	X										
BLUE GALAXY (Metallic)	28	28		X									
BLUE GALAXY (Metallic)	28	28			X								
BLUE LIGHT (Metallic)	21	21	X										
BRONZE INDIAN (Metallic)	66	66		X									
BRONZE INDIAN (Metallic)	66	66			X								
GOLD NEVADA (Metallic)	67	67		X	X								
GRAY STEEL (Metallic)	90	90	X										
GRAY STEEL (Metallic)	90	90		X									
GRAY STEEL (Metallic)	90	90			X								
RED APPLE	72	72		X									
RED APPLE	72	72			X								
RED CINNAMON	71	71		X									
RED CINNAMON	71	71			X								
TAN DOESKIN	61	61		X									
TAN DOESKIN	61	61			X								
WHITE FROST	12	12	X										N/A
WHITE FROST	12	12		X									N/A
WHITE FROST	12	12			X								N/A
WHITE FROST	12	12				X							N/A

EXTERIOR COLORS w/ZY6, ZY7 or ZY8 PAINT	Color Code 1	Color Code 2	RECOMMENDED INTERIOR TRIM COLORS					STRIPING COLORS - ZY7 ONLY (Stripe Colors Cannot be Changed) N/A ZY6/With ZY6 Paint Refer to Page 5 for Striping Chart					
			Black	Blue Dark	Gold	Red	Silver	White					
BLACK MIDNIGHT													
Gold Nevada (Metallic)	19	67				X							
Red Apple	19	72		X	X								
Silver (Metallic)	19	17		X	X						X		
White Frost	19	12		X	X								X
BLUE GALAXY (Metallic)													
Silver (Metallic)	28	17	X									X	
White Frost	28	12	X										X
BLUE LIGHT (Metallic)													
Blue Galaxy (Metallic)	21	28	X										
White Frost	21	12	X										
BRONZE INDIAN (Metallic)													
Gold Nevada (Metallic)	66	67				X							
Silver (Metallic)	66	17		X								X	
White Frost	66	12		X									X
GOLD NEVADA (Metallic)													
Black Midnight	67	19		X	X	X							
White Frost	67	12		X	X	X							X
GRAY STEEL (Metallic)													
Black Midnight	90	19		X	X								
Blue Galaxy (Metallic)	90	28	X										
Red Apple	90	72		X	X								
Silver (Metallic)	90	17	X	X	X								X
White Frost	90	12	X	X	X								X
RED APPLE													
Black Midnight	72	19		X	X								
Silver (Metallic)	72	17		X	X							X	
White Frost	72	12		X	X								X
RED CINNAMON													
Black Midnight	71	19		X									
White Frost	71	12		X									X
TAN DOESKIN													
Black Midnight	61	19		X	X								
Gold Nevada (Metallic)	61	67		X	X						X		
White Frost	61	12		X	X								X
WHITE FROST													
Black Midnight	12	19		X	X								
Blue Galaxy (Metallic)	12	28	X								X		
Gold Nevada (Metallic)	12	67		X	X								
Red Apple	12	72		X									
Silver (Metallic)	12	17	X	X	X							X	

N/A - Not Available





## S-10/15 PICKUP 2- & 4-WHEEL DRIVE

### INTERIOR AND EXTERIOR COLOR AVAILABILITY CHART

#### WITH D98 RALLY STRIPING

**Please Note:** Below are the interior trim color and exterior paint combinations recommended by Chevrolet/GMC. The only available color code 1/color code 2 exterior color combinations are those shown in the chart below, however, any available interior trim color may be ordered with one of these exterior color combinations if that particular combination is desired by the customer.

INTERIOR COLORS		Decor	Blue	Carmine	Charcoal	Saddle Tan	D98 STRIPING CHART RECOMMENDED COMBINATIONS					
<b>STANDARD INTERIOR</b> Vinyl Bench Seat Custom Cloth Bench Seat Custom Vinyl Bench Seat (N/A S/T10653) Custom Vinyl High Back Bucket Seats		Std.	VDD1	VRR1	VJJ1	VSS1	<b>Stripe color options must be specified on all ZY1 Solid Paint applications. Additional stripe combinations are available except where N/A is shown provided the dealer orders (D60) as verification.</b>					
<b>DURANGO/HIGH SIERRA</b> Custom Vinyl Bench Seat Custom Cloth Bench Seat Custom Vinyl High Back Bucket Seats Special Custom Cloth High Back Bucket Seats (S, T10653 only)		YC1	XDD1	XRR1	XJJ1	XSS1						
<b>TAHOE/SIERRA CLASSIC</b> Custom Vinyl Bench Seat (N/A S/T10653) Custom Cloth Bench Seat (N/A S/T10653) Custom Vinyl High Back Bucket Seats Special Custom Cloth High Back Bucket Seats High Country Sheepskin High Back Bucket Seats		YC2	XDD1	XRR1	XJJ1	XSS1						
			LDD1	LRR1	LJJ1	LSS1						
			XDD4	XRR4	XJJ4	XSS4						
			HDD4	HRR4	HJJ4	HSS4						
						BSS4						
EXTERIOR COLORS w/ZY1 PAINT		Color Code 1	Color Code 2	RECOMMENDED INTERIOR TRIM COLORS			STRIPING COLORS					
				Black 19A	Dk. Blue 26A	Gold 67A	Red 72A	Silver 17A	White 12A			
BLACK, MIDNIGHT	19	19				X						
BLACK, MIDNIGHT	19	19					X					
BLACK, MIDNIGHT	19	19		X					X			
BLUE, GALAXY (Metallic)	28	28	X		X							
BLUE, GALAXY (Metallic)	28	28				X						
BLUE, LIGHT (Metallic)	21	21	X		X			X				
BRONZE, INDIAN (Metallic)	66	66			X							
BRONZE, INDIAN (Metallic)	66	66				X						
GOLD, NEVADA (Metallic)	67	67			X	X						
GRAY, STEEL (Metallic)	90	90			X							
GRAY, STEEL (Metallic)	90	90	X					X				
GRAY, STEEL (Metallic)	90	90		X								
RED, APPLE	72	72			X							
RED, APPLE	72	72		X								
RED, CINNAMON	71	71			X							
RED, CINNAMON	71	71				X						
TAN, DOESKIN	61	61			X							
TAN, DOESKIN	61	61				X						
WHITE, FROST	12	12			X							N/A
WHITE, FROST	12	12	X					X				N/A
WHITE, FROST	12	12				X						N/A
WHITE, FROST	12	12		X						X		N/A

N/A-Not Available



**RALLY STRIPING**

**RPO D98 Rally Striping** is available in six colors and is available on S-10/15 pickup models only when ZY1 Solid Paint is ordered. A decal stripe color must be selected from the D98 color selection chart on page N. The 6 stripe decal is applied

just above the belt styling crease line on the front fenders, door and pickup box sides. The stripes vary in width from about 1/2" at the bottom to 1/4" at the top; with an overall width of about 3." Clear areas between the stripes allow the exterior paint color to show through.

**S-10/15 PICKUP 2- & 4-WHEEL DRIVE  
STRIPING CHART FOR ZY6 CUSTOM TWO-TONE**

INTERIOR TRIM COLOR			BLUE	CARMINE	CHARCOAL	SADDLE TAN
EXTERIOR PAINT COLOR	Color Code 1	Color Code 2	STRIPE COLORS			
BLACK, MIDNIGHT/Gold, Nevada (Met)	19	67	*Orange/Yellow	*Orange/Yellow	*Orange/Yellow	Orange/Yellow
BLACK, MIDNIGHT/Red, Apple	19	72	*Silver	Silver	Silver	*Silver
BLACK, MIDNIGHT/Silver (Met)	19	17	Blue	Blue	Blue	*Red
BLACK, MIDNIGHT/White, Frost	19	12	*Blue	Red	Red	*Orange/Yellow
BLUE, GALAXY (MET)/Silver (Met)	28	17	Blue	*Red	Blue	*Blue
BLUE, GALAXY (MET)/White, Frost	28	12	Blue	*Red	*Blue	*Gold
BLUE, LIGHT (MET)/Blue, Galaxy (Met)	21	28	Blue	*Silver	*Silver	*Blue
BLUE, LIGHT (MET)/White, Frost	21	12	Blue	*Red	*Blue	*Blue
BRONZE, INDIAN (MET)/Gold, Nevada (Met)	66	67	*Orange/Yellow	*Orange/Yellow	*Orange/Yellow	Orange/Yellow
BRONZE, INDIAN (MET)/Silver (Met)	66	17	*Orange/Yellow	*Orange/Yellow	Orange/Yellow	*Orange/Yellow
BRONZE, INDIAN (MET)/White, Frost	66	12	*Silver	*Gold	*Orange/Yellow	Gold
GOLD, NEVADA (MET)/Black, Midnight	67	19	*Gold	*Gold	*Orange/Yellow	Gold
GOLD, NEVADA (MET)/White, Frost	67	12	*Gold	*Gold	*Gold	Gold
GRAY, STEEL (MET)/Black, Midnight	90	19	*Blue	Red	Red	*Silver
GRAY, STEEL (MET)/Blue, Galaxy (Met)	90	28	Blue	*Silver	*Silver	*Silver
GRAY, STEEL (MET)/Red, Apple	90	72	*Silver	*Silver	Silver	*Silver
GRAY, STEEL (MET)/Silver (Met)	90	17	Blue	Red	Red	*Red
GRAY, STEEL (MET)/White, Frost	90	12	Blue	Red	Red	*Red
RED, APPLE/Black, Midnight	72	19	*Silver	Red	Silver	*Red
RED, APPLE/Silver (Met)	72	17	*Red	Red	Red	*Red
RED, APPLE/White, Frost	72	12	*Silver	Silver	*Silver	*Gold
RED, CINNAMON/Black, Midnight	71	19	*Silver	*Red	Silver	*Red
RED, CINNAMON/White, Frost	71	12	*Silver	*Red	Red	*Gold
TAN, DOESKIN/Black, Midnight	61	19	*Gold	*Red	*Gold	Gold
TAN, DOESKIN/Gold, Nevada (Met)	61	67	*Gold	*Orange/Yellow	*Orange/Yellow	Orange/Yellow
TAN, DOESKIN/White, Frost	61	12	*Gold	*Red	*Orange/Yellow	Gold
WHITE, FROST/Black, Midnight	12	19	Blue	Red	Red	*Red
WHITE, FROST/Blue, Galaxy (Met)	12	28	Blue	*Blue	*Blue	*Blue
WHITE, FROST/Gold, Nevada (Met)	12	67	*Orange/Yellow	Orange/Yellow	Orange/Yellow	Orange/Yellow
WHITE, FROST/Red, Apple	12	72	*Silver	Silver	*Silver	*Gold
WHITE, FROST/Silver (Met)	12	17	Blue	Red	Red	*Red

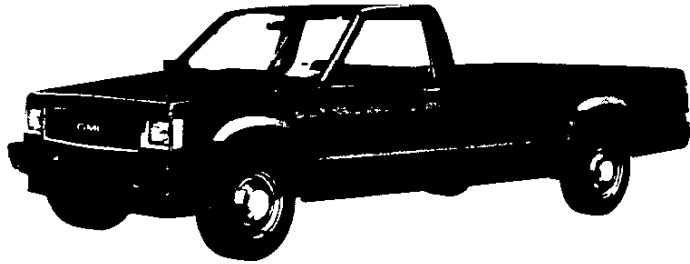
\*Stripe color/trim color combination available but not recommended.

## S-10/15 PICKUP 2- & 4-WHEEL DRIVE SOLID AND TWO-TONE\* EXTERIOR COLOR COMBINATIONS

The application of paint for solid and two-tone exterior color combinations is shown below.

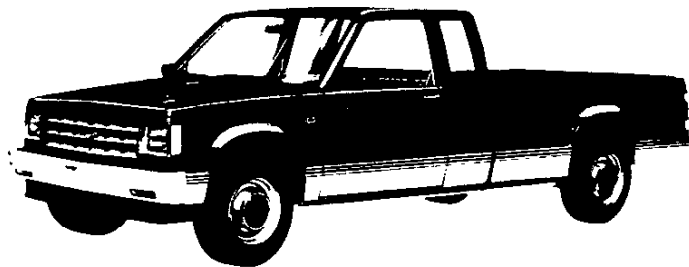
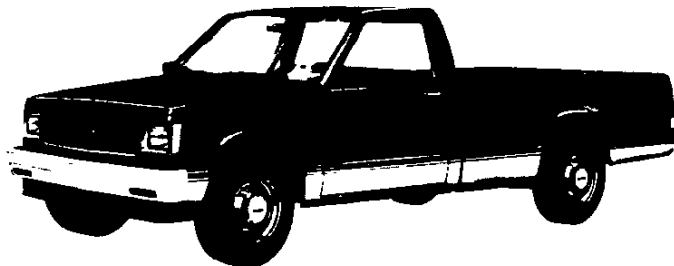
### SOLID COLOR

**Solid paint** (ZY1) is standard on all models (except Sport/Gypsy). All painted areas of the cab, front end sheet metal, and box are the same color. Tailgate lettering for base and Durango/High Sierra models is silver when Galaxy Blue, Indian Bronze, Midnight Black, or Apple Red exterior colors are specified and black for all other exterior colors.



### SPORT TWO-TONE

**Sport two-tone paint** (ZY7), which provides a lower accent two-tone scheme, is available on base, Durango/High Sierra and Tahoe/Sierra Classic models, and is included when the Sport/Gypsy Model Option (YC3) is ordered (unless ZY6 Custom two-tone is ordered). When ordered on base models, Painted Front Bumper (VT3) or Chromed Front Bumper (VG3) must be ordered. A wide, four stripe decal is included on base and Durango/High Sierra models, and is applied below the lower styling crease lines. The decal color matches the color code 2 paint choice, and is applied over the paint break line in such a way that the color code 1 color paint shows through the clear areas to contrast with the decal colors. The color code 1 color choice is applied to the areas above the bottom stripe of the decal, and the color code 2 color is applied to the areas below the decal. RPO B84 Body Side Moldings may be ordered with ZY7 on base and Durango/High Sierra models, if desired (at extra cost), and will replace the striping decal. Tailgate lettering for base and Durango/High Sierra models is silver when Galaxy Blue, Indian Bronze, Midnight Black, or Apple Red exterior colors are specified and black for all other exterior colors.



\*Optional at extra cost

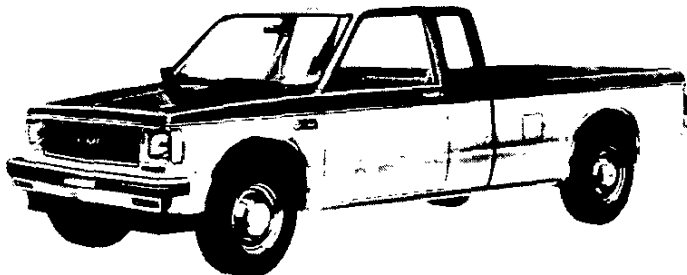
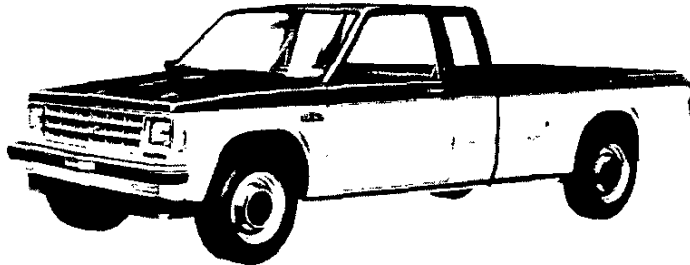
## S-10/15 PICKUP 2- & 4-WHEEL DRIVE

### SOLID AND TWO-TONE\* EXTERIOR COLOR COMBINATIONS

The application of paint for solid and two-tone exterior color combinations is shown below.

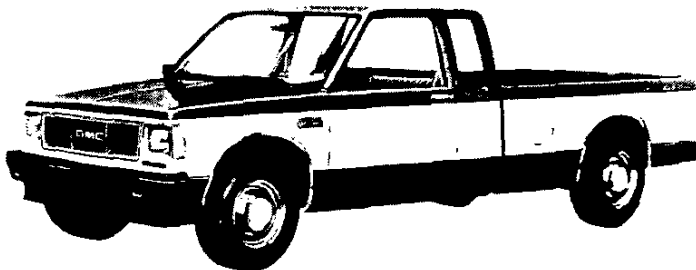
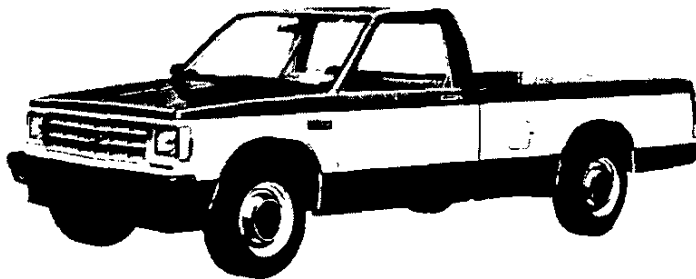
#### CUSTOM TWO-TONE

**Custom two-tone paint (ZY6)** is available on all models. When ordered on base models, Painted Front Bumper (VT3) or Chromed Front Bumper (VG3) must be ordered. The areas above the belt styling crease line are painted the color code 1 paint color. The areas below that line are painted the color code 2 color. A color-keyed decal stripe is applied at the belt styling crease line just below the paint break (See color stripe chart on page Q). Tailgate lettering for base and Durango/High Sierra models is silver when Galaxy Blue, Indian Bronze, Midnight Black, or Apple Red color code 2 exterior colors are specified and black for all other colors.



#### SPECIAL TWO-TONE

**Special two-tone paint (ZY8)**, which provides a mid-accent two-tone scheme, is available on base, Durango/High Sierra and Tahoe/Sierra Classic models. When ordered on base models, Painted Front Bumper (VT3) or Chromed Front Bumper (VG3) must be ordered. B84 body side and wheel opening moldings are included (except on Tahoe/Sierra Classic models where already included) which are applied below the lower styling crease lines. The areas below the molding and above the belt styling crease line are painted the color code 1 paint color. The areas between the molding and the belt styling crease line are painted the color code 2 color. Tailgate lettering for base and Durango/High Sierra models is silver when Galaxy Blue, Indian Bronze, Midnight Black, or Apple Red color code 2 exterior colors are specified and black for all other colors.

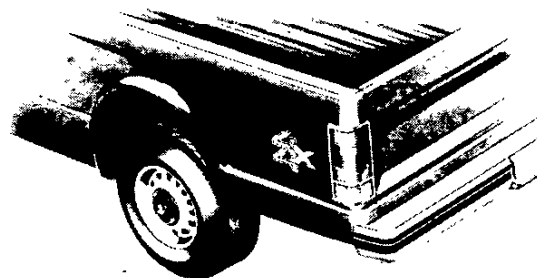


\*Optional at extra cost

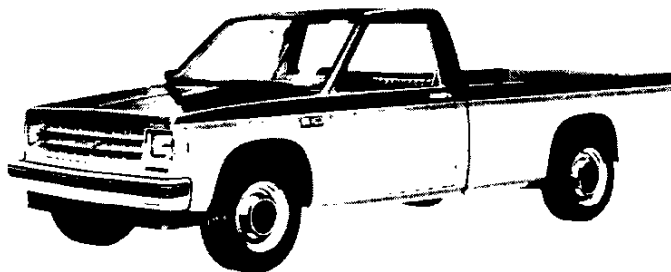
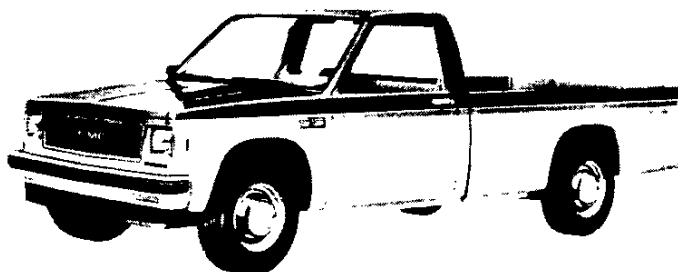
# S-10/15 PICKUP 2- & 4-WHEEL DRIVE

## EXTERIOR DECOR STRIPING PACKAGES

**4x4 I.D. EXTERIOR DECOR**  
**RPO YJ3 4x4 I.D. Exterior Decor.**  
 This package consists of tri-colored 4x4 decals applied to the upper rear corner of each side of the pickup box. It is available on all 4x4 S-10 pickup models. The standard 4x4 emblem located on the B pillar is deleted. Not available when RPO D90 Sunshine Striping is ordered.



**SUNSHINE STRIPING**  
**RPO D90 Sunshine Striping.** Sunshine Striping consists of 4 bold stripes along the full length of the vehicle and across the tailgate. The stripes are available on all S-10/15 pickup models in four colors to contrast or complement the exterior paint color choice. See the Interior and Exterior Color Availability Chart headed: With D90 Sunshine Striping for available combinations. The stripes vary in color density; the top stripe is completely opaque and each of the three remaining stripes is less opaque than the one above it, allowing the exterior paint color to show through more and more in each succeeding stripe until the bottom stripe actually has just a hint of color in it, creating a very dramatic effect. Sunshine Striping is available with ZY1 solid paint or with ZY6 Custom Two-Tone paint. When ordered with ZY6, the top stripe color exactly matches the color code 1 color choice. Not available with B84 Body Side Moldings or with YJ3 4x4 I.D. decals. Wheel opening moldings (either B74 Black Plastic or B96 Bright Aluminum) YC2 Tahoe/Sierra Classic or YC3 Sport/Gypsy must be ordered.



**OPTIONAL STRIPING**  
**Optional Striping** is available on S-10/15 pickup models only when ZY1 Solid Paint is ordered. The striping is the same as that included with ZY7 Sport Two-Tone Paint, and consists of 4 decal stripes applied below the lower styling crease lines. The striping is available in 6 colors to contrast or complement the exterior paint color. See the Interior and Exterior Color Availability Chart headed: Without D90 Sunshine Striping for available combinations. Not available with B84 Body Side and Wheel Opening Moldings or YC3 Sport/Gypsy Equipment.

