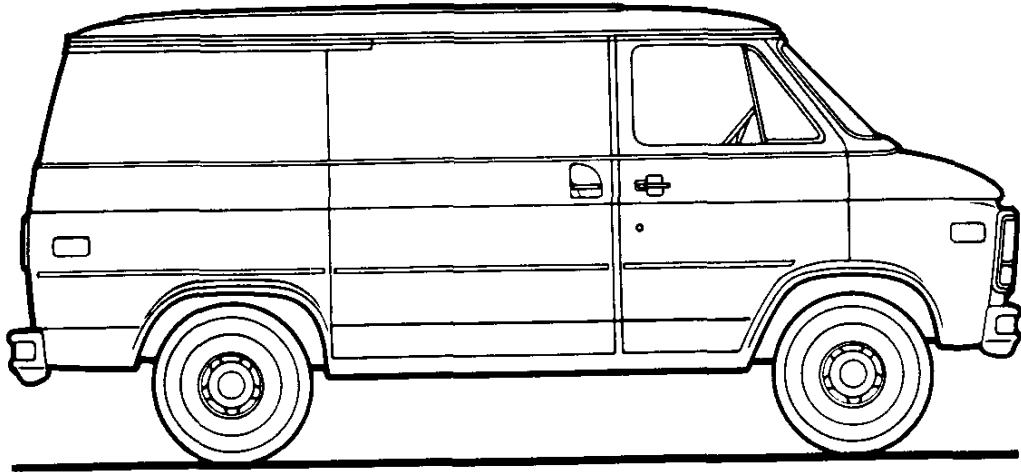




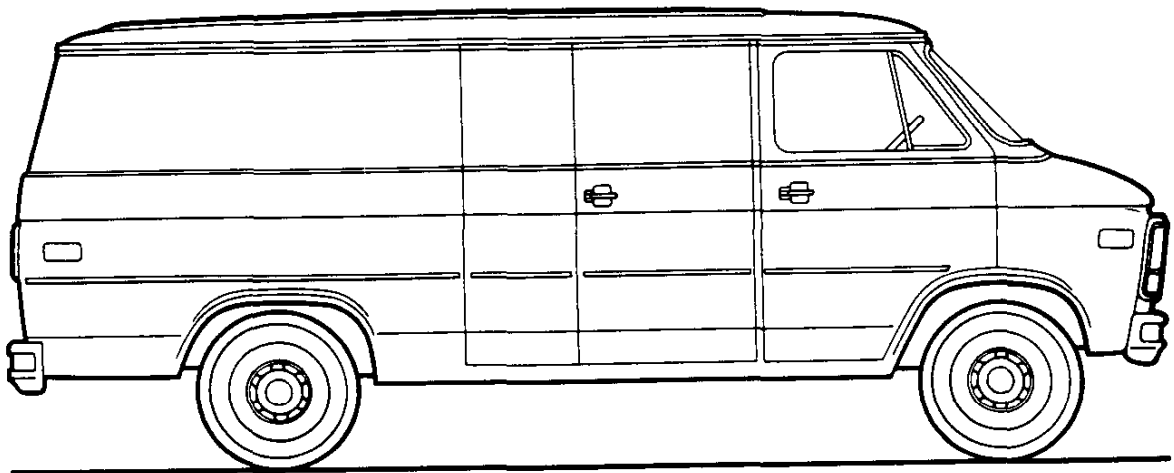
CHEVY VAN/VANDURA

CHEVY VAN/VANDURA MODEL SELECTOR



SERIES	MODEL NUMBER		BODY ORDERING CODE	
	110" WB	125" WB	GASOLINE MODELS	DIESEL MODELS
G10/1500	G11005	G11305	ZW9	—
G20/2500	G21005	G21305	ZW9	ZW9/B3J
*G30/3500	—	G31305	ZW9	—
G30/3500/C6P	—	G31305	ZW9/C6P	ZW9/C6P/B3J

*Not available for registration in the State of California.



GASOLINE

CHEVY VAN/VANDURA

STANDARD SPECIFICATIONS

(See Gray Tab Section for Specification Details)

Series	G10/1500	G20/2500
Engine	4.3 Liter, 262 4-bbl. V6 11", 124 sq. in.	
Base Equip.		
Clutch		
Air Filter	Oiled-paper Element	
Oil Filter	Throwaway Type	
Exhaust System	Single; Aluminized	
Emission Control Systems	See Engine & Cooling Section for specific model applications	
Suspension, Front	Independent; Coil Springs	
Capacity	3400 lb.	3400 lb.
Springs @ Ground	1310 lb. ea.	1700 lb. ea.
Shock Absorbers	25mm dia.	25mm dia.
Suspension, Rear	Salisbury Axle; Hypoid Drive; Two-stage Multi-leaf Springs	
Axle Capacity	3500 lb.	3500 lb.
Axle Ratio	3.08	3.42
Springs @ Ground	1200 lb. ea.	1700 lb. ea.
Shock Absorbers	25mm dia.	25mm dia.
Brakes	Hydraulic; Self-adjusting	
Front	Disc; 11.86" Rotor	Disc; 11.86" Rotor
Rear	Drum; 11" x 2"	Drum; 11.15" x 2.75"
Booster	—	Dual Diaphragm
Parking	Cable to Rear Wheels	
Electrical	12 Volt; Negative Ground	
Battery		
— Freedom Type	405 CCA♦ @ 0°F.	
— Reserve Capacity	75 min. @ 80°F.	
Delcotron Generator	37 amp.	
Frame	Integral Body-frame	
Fuel Tank (nominal capacity)	22 gal.	
Steering Gear Type	Manual; Recirculating Ball Gear	Integral Power
Linkage	Parallelogram	
Transmission	Fully Synchronized 3-Speed Manual	
Shift Location	Floor	
Tires	(5) P195/75R15 All Seasons Steel Belted Radial	(4) P225/75R15 All Seasons Steel Belted Radial
Wheels	(5) Disc 15" x 6"	

♦CCA-Cold Cranking Amps

CHEVY VAN/VANDURA

DIESEL

STANDARD SPECIFICATIONS

(See Gray Tab Section for Specification Details)

Series ^a	★G20/2500
Engine	6.2 Liter, 379 Cu. In. V8 Diesel
Base Equip.	12", 150 sq. in.
Clutch	Poly-wrapped, Oiled-paper Element
Air Filter	Throwaway Type
Oil Filter	Standard
Oil Cooler	Dual; Aluminized
Exhaust System	
Emission Control Systems	See Engine & Cooling Section for specific model applications
Suspension, Front	Independent; Coil Springs
Capacity - 110" WB	3500 lb.
- 125" WB	3675 lb.
Springs @ Ground	
- 110" WB	1750 lb. ea.
- 125" WB	1835 lb. ea.
Shock Absorbers	25mm dia.
Suspension, Rear	Salisbury Axle; Hypoid Drive; Two-stage Multi-leaf Springs
Axle Capacity	3500 lb.
Axle Ratio	3.42
Springs @ Ground	1700 lb. ea.
Shock Absorbers	25mm dia.
Brakes	Hydraulic; Self-adjusting
Front	Disc; 11.86" Rotor
Rear	Drum; 11.15" x 2.75"
Booster	Hydraulic Power
Parking	Cable to Rear Wheels
Electrical	12 Volt; Negative Ground
Battery	
- Freedom Type	Two; 550 CCA♦ ea. @ 0°F.
- Reserve Capacity	115 min. ea. @ 80°F.
Delcotron Generator	66 amp.
Engine Block Heater	600 watts, 120 volts
Frame	Integral Body-frame
Fuel Tank (nominal capacity)	22 gal.
Steering Gear Type	Integral Power
Transmission	4-Speed Manual w/Overdrive
Shift Location	Floor
Tires	(4) P225/75R15 All Seasons Steel Belted Radial
Wheels	(5) Disc 15" x 6"

▲Note: G10/1500 models not available with diesel engines

★Not available for registration in State of California

♦CCA-Cold Cranking Amps

GASOLINE

CHEVY VAN/VANDURA

STANDARD SPECIFICATIONS

(See Gray Tab Section for Specification Details)

Series	*G30/3500	G30/3500/C6P
Engine		
Base Equip.	4.3 Liter, 262 4-bbl. V6	5.7 Liter, 350 4-bbl. V8
Clutch	11" 124 sq. in.	—
Air Filter	Oiled-paper Element	
Oil Filter	Throwaway Type	
Exhaust System	Single; Aluminized	*Dual; Stainless Steel
Emission Control Systems	See Engine & Cooling Section for specific model applications	
Suspension, Front	Independent; Coil Springs	
Capacity	3900 lb.	3900 lb.
Springs @ Ground	1700 lb. ea.	1950 lb. ea.
Shock Absorbers	25mm dia.	25mm dia.
Stabilizer Bar	—	1.06" dia.
Suspension, Rear	Salisbury Axle; Hypoid Drive; Two-stage Multi-leaf Springs	
Axle Capacity	5700 lb.	5700 lb.
Axle Ratio	3.73	3.73
Springs @ Ground	2100 lb. ea.	2700 lb. ea.
Shock Absorbers	25mm dia.	25mm dia.
Brakes	Hydraulic; Self-adjusting	
Front	Disc; 12.5" Rotor	Disc; 12.5" Rotor
Rear	Drum; 13" x 2.5"	Drum; 13" x 2.5"
Booster	Dual Diaphragm	Dual Diaphragm
Parking	Cable to Rear Wheels	
Electrical	12 Volt; Negative Ground	
Battery		
— Freedom Type	405 CCA♦ @ 0°F.	390 CCA♦ @ 0°F.
— Reserve Capacity	75 min. @ 80°F.	90 min. @ 80°F.
Delcotron Generator	37 amp.	
Frame	Integral Body-frame	
Fuel Tank (nominal capacity)	22 gal.	
Steering Gear Type	Integral Power	
Transmission	4-Speed Automatic w/Overdrive	3-Speed Automatic
Shift Location	Steering Column	Steering Column
Tires	(4) 8.75R-16.5C (6PR)	(4) 8.75-16.5E (10PR)
Wheels	(5) Disc 16.5" x 6.75"	(5) Disc 16.5" x 6.75"

*Not available for registration in the State of California

*Single; Aluminized for California

♦CCA-Cold Cranking Amps

CHEVY VAN/VANDURA

DIESEL

STANDARD SPECIFICATIONS

(See Gray Tab Section for Specification Details)

Series▲	G30/3500/C6P
Engine	6.2 Liter, 379 Cu. In. V8 Diesel
Base Equip.	Poly-wrapped, Oiled-paper Element
Air Filter	Throwaway Type
Oil Filter	Standard
Oil Cooler	Dual; Aluminized
Exhaust System	
Emission Control Systems	See Engine & Cooling Section for specific model applications
Suspension, Front	Independent; Coil Springs
Capacity	3900 lb.
Springs @ Ground	1950 lb. ea.
Shock Absorbers	25mm dia.
Stabilizer Bar	1.06" dia.
Suspension, Rear	Salisbury Axle; Hypoid Drive; Two-stage Multi-leaf Springs
Axle Capacity	5700 lb.
Axle Ratio	3.73
Springs, @ Ground	2700 lb. ea.
Shock Absorbers	25mm dia.
Brakes	Hydraulic; Self-adjusting
Front	Disc; 12.5" Rotor
Rear	Drum; 13" x 2.5"
Booster	Hydraulic Power
Parking	Cable to Rear Wheels
Electrical	12 Volt; Negative Ground
Battery	Two; 550 CCA♦ ea. @ 0°F.
– Freedom Type	115 min. ea. @ 80°F.
– Reserve Capacity	66 amp.
Delcotron Generator	600 watts, 120 volts
Engine Block Heater	
Frame	Integral Body-frame
Fuel Tank (nominal capacity)	22 gal.
Steering Gear Type	Integral Power
Transmission	3-Speed Automatic
Shift Location	Steering Column
Tires	(4) 8.75-16.5E (10PR)
Wheels	(5) Disc 16.5" x 6.75"

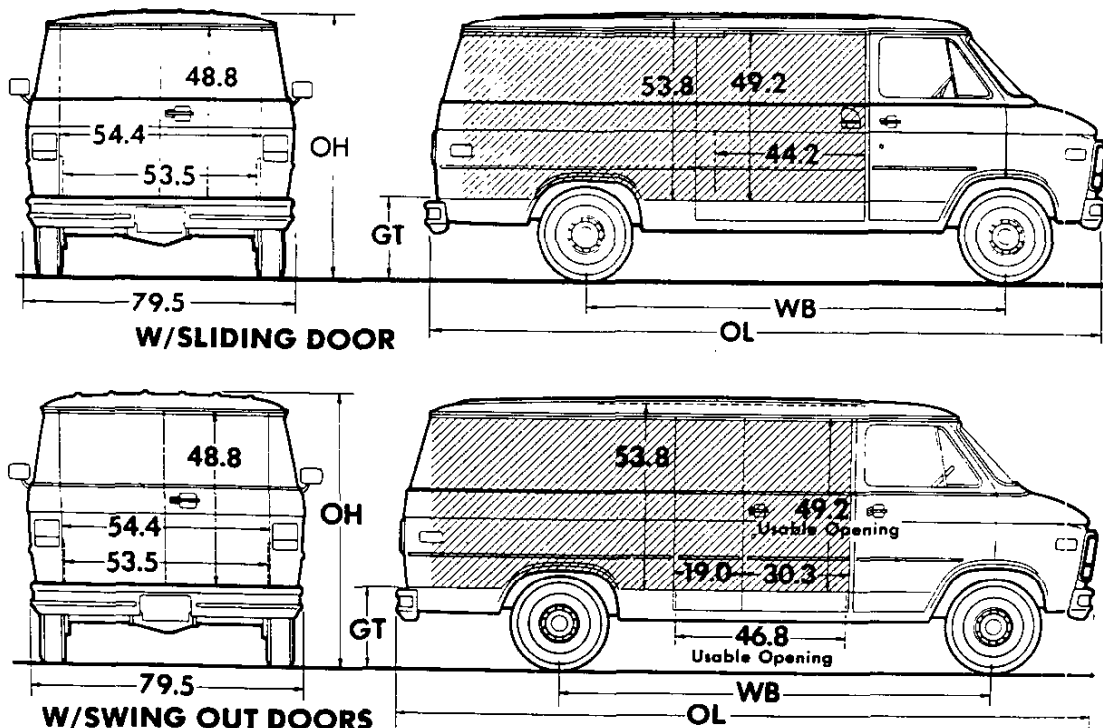
▲Note: G30/3500 models without C6P not available with diesel engine.

♦CCA-Cold Cranking Amps

GASOLINE

CHEVY VAN/VANDURA

Body Ordering Codes:
Chevy Van/Vandura—ZW9



Side slide-in opening clearance 44.2" with sliding door; 46.8" with swing out doors; max. box cargo height 49.2" with standard front passenger seat.

Rear slide-in opening clearance 52" with spare tire in position or 53.5" with spare tire removed; height 48.8".

Sign Panel Area (side)

110" WB—51¼" x 94"
125" WB—51¼" x 118½"



Capacity (cu ft)

110" WB—207
125" WB—260

Series	Ground Clearance (in)*	
	Front	Rear
G1	6.3	6.7
G2	7.3	7.3
G3	9.0	7.0

Model	Engine No. Cyl.	Dimensions (in)*				Curb Weight (lb)			Model Weight (lb)*		
		WB	OL	OH	GT	Front	Rear	Total	Front	Rear	Total

G10/1500 SERIES

G11005	6	110	178.2	79.4	25.0	2110	1590	3700	2216	1634	3850
G11305	6	125	202.2	79.2	24.6	2157	1680	3837	2268	1719	3987

G20/2500 SERIES

G21005	6	110	178.2	79.8	25.4	2184	1602	3786	2290	1646	3936
G21305	6	125	202.2	79.5	25.4	2226	1696	3922	2337	1735	4072

G30/3500 SERIES

G31305▲	6	125	202.2	81.9	28.0	2548	1978	4526	2659	2017	4676
G31305 (W/C6P)	8	125	202.2	81.9	28.0	2548	1978	4526	2659	2017	4676

*Dimensions with standard equipment, unloaded.

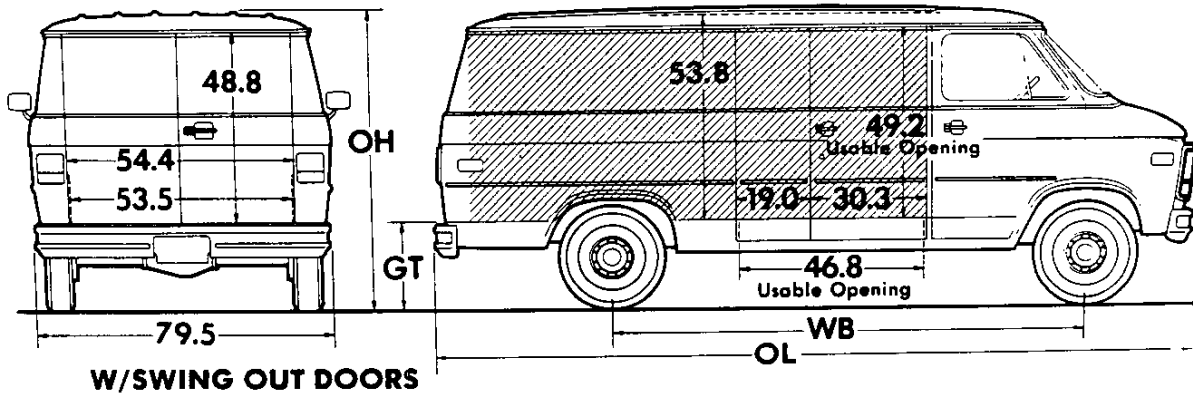
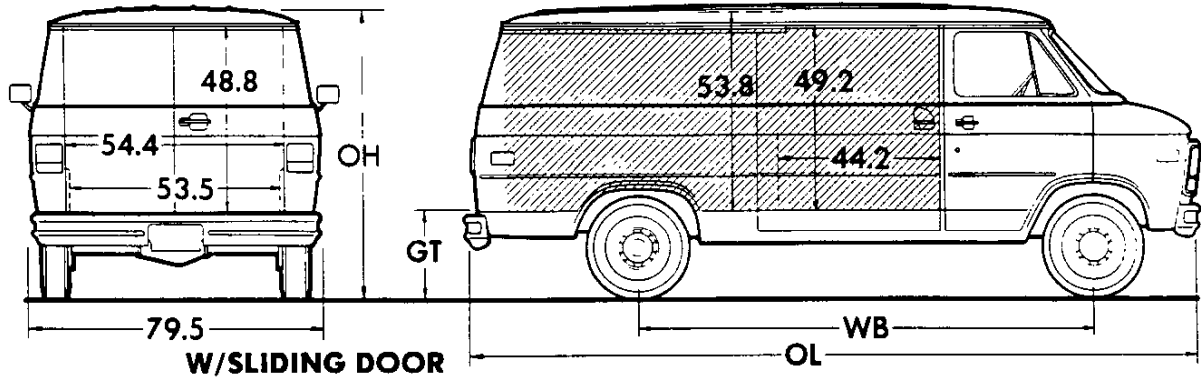
*Model Weight includes Curb Weight plus occupants (standard seating capacity x 150 lb). Total Model Weight may vary as much as ±50 lbs. to allow for production build variation.

▲Not available for registration in the State of California.

CHEVY VAN/VANDURA

DIESEL

Body Ordering Codes:
Chevy Van/Vandura—ZW9/B3J

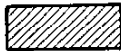


Side slide-in opening clearance 44.2" with sliding door; 46.8" with swing out doors; max. box cargo height 49.2" with standard front passenger seat.

Rear slide-in opening clearance 52" with spare tire in position or 53.5" with spare tire removed; height 48.8".

Sign Panel Area (side)

110" WB—51¼" x 94"
125" WB—51¼" x 118½"



Capacity (cu ft)

110" WB—207
125" WB—260

Series	Ground Clearance (in)*	
	Front	Rear
G2	7.3	7.3
G3	9.0	7.0

Model	Engine No. Cyl.	Dimensions (in)*				Curb Weight (lb)			Model Weight (lb)*		
		WB	OL	OH	GT	Front	Rear	Total	Front	Rear	Total

G20/2500 SERIES

G21005	8	110	178.2	79.8	25.4	2630	1644	4274	2736	1688	4424
G21305	8	125	202.2	79.5	25.4	2659	1768	4427	2770	1807	4577

G30/3500 SERIES

G31305 (W/C6P)	8	125	202.2	81.9	28.0	2868	2039	4907	2979	2078	5057
-----------------------	---	-----	-------	------	------	------	------	------	------	------	------

*Dimensions with standard equipment, unloaded.

*Model Weight includes Curb Weight plus occupants (standard seating capacity x 150 lb). Total Model Weight may vary as much as ± 50 lbs. to allow for production build variation.

CHEVY VAN/VANDURA
POWER TEAMS
ALL STATES EXCEPT CALIFORNIA
G10/1500 SERIES

POWER TEAMS (MUST ORDER ENGINE, TRANSMISSION AND REAR AXLE)
(Consult GVWR Selector and Tire Chart to insure tire capacity and availability)

ENGINE	TRANSMISSION			AXLES				GVWR	
	3-SP	4-SP	AUTO	2.73	3.08	3.42	3.73		
W/NA5 STANDARD EMISSION EQUIPMENT									
LB1 V6 4.3 Liter (262-4BBL)	MM3			—	GQ1	GU6	—	4900	
			MX1	—	GQ1	*GU6	—	4900	
	MM3			—	#GQ1	GU6	—	5350/5600	
			MX1	—	#GQ1	*GU6	—	5350/5600	
LE9 V8 5.0 Liter (305-4BBL)	MM3	MM7	MX0	—	GQ1	GU6	—	4900	
			MX1	GQ1	GU4	—	4900		
	MM3			—	—	GQ1	—	5350/5600	
			MX1	—	—	GQ1	—	5350/5600	
	MM3	MM7	MX0	—	#GQ1	GU6	—	5350/5600	
			MX1	GQ1	#GU4	—	5350/5600		
					—	—	GQ1	—	6000
				MX1	GQ1	GU4	—	6000	
		MX0	—	GQ1	GU6	—	6000		
W/NA6 HIGH ALTITUDE EMISSION EQUIPMENT									
LB1 V6 4.3 Liter (262-4BBL)	MM3			—	—	GQ1	—	ALL	
			MX1	—	—	*GQ1	*GT4	ALL	
LE9 V8 5.0 Liter (305-4BBL)	MM3	MM7		—	—	GQ1	—	4900	
			MX0	—	GQ1	GU6	—	4900	
	MM3	MM7	MX1	—	GQ1	GU6	—	4900	
				—	—	GQ1	—	5350/5600	
	MM3	MM7	MX0	—	#GQ1	GU6	—	5350/5600	
			MX1	—	#GQ1	GU6	—	5350/5600	
				MX0	—	—	GQ1	—	6000
				MX1	—	—	GQ1	—	6000

CALIFORNIA ONLY
G10/1500 SERIES

ENGINE	TRANSMISSION			AXLES				GVWR
	3-SP	4-SP	AUTO	2.73	3.08	3.42	3.73	
W/YF5 CALIFORNIA EMISSION REQUIREMENTS								
LB1 V6 4.3 Liter (262-4BBL)	MM3			—	GQ1	GU6	—	4900
			MX0	—	—	*GQ1	*GT4	4900
	MM3			—	#GQ1	GU6	—	5350/5600
			MX0	—	—	*GQ1	*GT4	5350/5600
	MM3			—	—	GQ1	—	6000
MX0			—	—	*GQ1	—	6000	
LF3 V8 5.0 Liter (305-4BBL)			MX0	—	GQ1	—	—	4900
			MX0	—	#GQ1	—	—	5350
			MX0	—	#GQ1	—	—	5600
			MX0	—	GQ1	—	—	6000

#With G80 Locking Differential Reqs J55 Brakes
*Reqs KC4 Cooling

**CHEVY VAN/VANDURA
POWER TEAMS
ALL STATES EXCEPT CALIFORNIA
G20/2500 SERIES**

POWER TEAMS (MUST ORDER ENGINE, TRANSMISSION AND REAR AXLE)
(Consult GVWR Selector and Tire Chart to insure tire capacity and availability)

ENGINE	TRANSMISSION			AXLES				GVWR
	3-SP	4-SP	AUTO	2.73	3.08	3.42	3.73	
W/NA5 STANDARD EMISSION EQUIPMENT								
LB1 V6 4.3 Liter (262-4BBL)	MM3		MX1	—	—	GQ1	—	6600
				—	GQ1	#GU6	—	6600
LE9 V8 5.0 Liter (305-4BBL)	MM7			—	—	GQ1	—	6600
			MX1	GQ1	GU4	—	—	6600
			MX0	—	—	—	\$GT4	6600
LH6 Diesel 6.2 Liter V8 (379 Cu In)(Reqs B3J)	MM7			—	—	GQ1	—	6600
			MX0	—	GQ1	GU6	\$GT4	6600
W/NA6 HIGH ALTITUDE EMISSION EQUIPMENT								
LB1 V6 4.3 Liter (262-4BBL)	MM3		MX1	—	—	GQ1	—	6600
				—	—	#GQ1	%GT4	6600
LE9 V8 5.0 Liter (305-4BBL)	MM7			—	—	GQ1	—	6600
			MX1	—	GQ1	GU6	—	6600
			MX0	—	—	—	\$GT4	6600
LH6 Diesel 6.2 Liter V8 (379 Cu In)(Reqs B3J)	MM7			—	—	GQ1	—	6600
			MX0	—	—	GQ1	\$GT4	6600

\$Reqs Z82 Trailing Special; N/A G80 Locking Differential.
%N/A G80 Locking Differential; Reqs KC4 Cooling.
#Reqs KC4 Cooling

G30/3500 SERIES

ENGINE	TRANSMISSION		AXLES			GVWR
	3-SP	AUTO	3.73	4.10		
W/NA5 STANDARD OR NA6 HIGH ALTITUDE EMISSION EQUIPMENT						
LB1 V6 4.3 Liter (262-4BBL)(N/A C6P)		MX0		GQ1	—	7100
*LT9 V8 5.7 Liter (350-4BBL)(Reqs C6P)		MX1		GQ1	GT5	8600
■LL4 Diesel 6.2 Liter V8 (379 Cu In) (Reqs C6P and B3J)		MX1		GQ1	GT5	8600

■ High Altitude Emission Equipment (FOR EXHAUST SMOKE REDUCTION PURPOSES
AT HIGH ALTITUDE; NOT REQUIRED TO SATISFY HIGH ALTITUDE EMISSION REGULATIONS). (REQS LL4 ENG)
*N/A NA6 High Altitude Emission. With NA5 Standard Emission Satisfies High Altitude Emission Requirements.

CALIFORNIA ONLY

G20/2500 SERIES

ENGINE	TRANSMISSION		AXLES			GVWR	
	3-SP	AUTO	3.08	3.42	3.73		
W/YF5 CALIFORNIA EMISSION REQUIREMENTS							
LB1 V6 4.3 Liter (262-4BBL)	MM3			—	GQ1	—	6600
			MX0	—	#GQ1	%GT4	6600
LF3 V8 5.0 Liter (305-4BBL)		MX0		GQ1	—	6600	

*N/A G80 Locking Differential.
\$Reqs Z82 Trailing Special; N/A G80 Locking Differential.
%N/A G80 Locking Differential; Reqs KC4 Cooling.
#Reqs KC4 Cooling

G30/3500 SERIES

ENGINE	TRANSMISSION		AXLES			GVW
		AUTO	3.73	4.10		
W/YF5 CALIFORNIA EMISSION REQUIREMENTS						
LT9 V8 5.7 Liter (350-4BBL)(Reqs C6P)		MX1		GQ1	GT5	8600
LL4 Diesel 6.2 Liter V8 (379 Cu In) (Reqs C6P and B3J)		MX1		GQ1	GT5	8600

*N/A NA6 High Altitude Emission. With NA5 Standard Emission
Satisfies High Altitude Emission Requirements.

CHEVY VAN/VANDURA GVWR SELECTOR — ALL STATES

G10/1500 SERIES

GVW Rating (lbs)	†GAWR (lbs)		Minimum Equipment Required for GVW Rating		
	Front	Rear	Tire Capacity (lbs ea)		Chassis Equipment
			Front	Rear	
4900	2620	2400	1342	1342	Standard
5350	2684	2684	1342	1342	HD Front Springs (F60); HD Rear Springs (G50); Power Brakes (J50); Power Steering (N40)
5600	2906	2906	1453	1453	
6000	3166	3166	1583	1583	HD Front Springs (F60); HD Rear Springs (G50); HD Power Brakes (J55); Power Steering (N40)

†GAWR's shown are the maximum for each axle with equipment listed. Other GAWR's are available, and they are determined as the minimum capacity of either axle, springs or tires.

FRONT AND REAR TIRE AVAILABILITY CHART — ALL STATES

G10/1500 SERIES

Spare tire to match either front or rear tires must be ordered

Description	Capacity (lbs ea)	Highway		On-Off Road	Spare
		Front	Rear	Rear	
TUBELESS					
P195/75R15 Steel Belted Radial	1342	XAR	YAR	—	ZAR
FR78-15B Fiberglass Belted Radial	1363	XKM	YKM	—	ZKM
#P205/75R15 Steel Belted Radial	1453	XCE	YCE	— YJT	ZCE ZJT
#P205/75R15 Whitewall Steel Belted Radial	1453	XCG	YCG	—	ZCG
#P205/75R15 White Letter Steel Belted Radial	1453	XCF	YCF	—	ZCF
#P215/75R15 Steel Belted Radial	1583	XCU	YCU	—	ZCU
#P215/75R15 Whitewall Steel Belted Radial	1583	XCV	YCV	—	ZCV
#P215/75R15 White Letter Steel Belted Radial	1583	XCW	YCW	—	ZCW

#Requires Power Steering (N40).

ENGINE RATINGS

Engine ratings shown are not official at this time, and are for guide purposes only.

ALL STATES EXCEPT CALIFORNIA

SAE Net Ratings	*4.3 Liter 262 4-bbl V6	*5.0 Liter 305 4-bbl V8	**5.7 Liter 350 4-bbl V8
Net Horsepower	145 @ 4000 rpm	160 @ 4400 rpm	185 @ 4000 rpm
Net Torque, lb-ft	225 @ 2400 rpm	235 @ 2000 rpm	285 @ 2400 rpm

SAE Net Ratings	*6.2 Liter 379 V8 Diesel	**6.2 Liter 379 V8 Diesel
Net Horsepower	130 @ 3600 rpm	145 @ 3600 rpm
Net Torque, lb-ft	240 @ 2000 rpm	248 @ 2000 rpm

CALIFORNIA ONLY

SAE Net Ratings	*4.3 Liter 262 4-bbl V6	*5.0 Liter 305 4-bbl V8	**5.7 Liter 350 4-bbl V8
Net Horsepower	145 @ 4000 rpm	155 @ 4000 rpm	155 @ 4000 rpm
Net Torque, lb-ft	225 @ 2400 rpm	245 @ 1600 rpm	240 @ 2800 rpm

SAE Net Ratings	**6.2 Liter 379 V8 Diesel
Net Horsepower	145 @ 3600 rpm
Net Torque, lb-ft	248 @ 2000 rpm

*Engine with Light or Medium Duty Emissions (w/GVWR up to 8500 lb.).

**Engine with Heavy Duty Emissions (w/GVWR over 8500 lb.).

CHEVY VAN/VANDURA GVWR SELECTOR—ALL STATES G20/2500 SERIES

GVWR Rating (lbs)	+GAWR (lbs)		Minimum Equipment Required for GVWR Rating		
	Front	Rear	Tire Capacity (lbs ea)		Chassis Equipment
			Front	Rear	
6600	3400	3400	1703	1703	Standard (Gasoline Models)
	*3500	3400	1843	1843	Standard (Diesel Models)

†GAWR's shown are the maximum for each axle with equipment listed. Other GAWR's are available, and they are determined as the minimum capacity of either axle, springs or tires.

*Front GAWR is 3670 on G21305 model.

FRONT AND REAR TIRE AVAILABILITY CHART—ALL STATES G20/2500 SERIES

Spare tire to match either front or rear tires is available at extra cost

Description	Capacity (lbs each)	Highway		Spare
		Front	Rear	
TUBELESS (With LB1, LE9 or LF3 Engine)				
P225/75R15 Steel Belted Radial	1703	XET	YET	ZET
P225/75R15 Whitewall Steel Belted Radial	1703	XEU	YEU	ZEU
P225/75R15 White Letter Steel Belted Radial	1703	XEV	YEV	ZEV
TUBELESS (With LH6 Engine)				
P235/75R15 Steel Belted Radial	1843	XFL	YFL	ZFL
P235/75R15 Whitewall Steel Belted Radial	1843	XFM	YFM	ZFM
P235/75R15 White Letter Steel Belted Radial	1843	XFN	YFN	ZFN

GVWR SELECTOR—ALL STATES EXCEPT CALIFORNIA G30/3500 SERIES

GVWR Rating (lbs)	+GAWR (lbs)		Minimum Equipment Required for GVWR Rating		
	Front	Rear	Tire Capacity (lbs ea)		Chassis Equipment
			Front	Rear	
▲7100	3400	3980	1990	1990	Standard

▲Requires LB1 V6 engine.

GVWR SELECTOR—ALL STATES G30/3500/C6P SERIES

GVWR Rating (lbs)	+GAWR (lbs)		Minimum Equipment Required for GVWR Rating		
	Front	Rear	Tire Capacity (lbs ea)		Chassis Equipment
			Front	Rear	
8600	3900	5360	2680	2680	Standard

†GAWR's shown are the maximum for each axle with equipment listed. Other GAWR's are available, and they are determined as the minimum capacity of either axle, springs or tires.

FRONT AND REAR TIRE AVAILABILITY CHART—ALL STATES G30/3500 SERIES

Spare tire to match either front or rear tires is available at extra cost

Description	Capacity (lbs each)	Highway		Spare
		Front	Rear	
TUBELESS (With LB1 Engine)				
8.75R-16.5C Steel Belted Radial	1990	XWU	YWU	ZWU
TUBELESS (With LT9 or LL4 Engine)				
8.75-16.5E Nylon Bias Ply	2680	XTH	YTH	ZTH
8.75R-16.5E Steel Belted Radial	2680	XVD	YVD	ZVD

CHEVY VAN/VANDURA

THE FOLLOWING EQUIPMENT IS STANDARD ON DIESEL ENGINE MODELS (ALSO SEE STANDARD SPECIFICATIONS PAGES)

- Low Coolant Sensor
- Poly-wrapped Paper Element Air Cleaner
- Power Steering
- Engine Block Heater
- Water/fuel separator unit which incorporates a water sensor and sending unit, a fuel filter, a fuel heater and water drain capability
- Hydraulic Power-assisted Brakes
- K81 66-amp Generator
- Engine Oil Cooler (located in radiator tank)
- Dual 550 Cold Cranking Amp/115 min. Reserve Capacity Batteries
- HD Radiator
- Dual Exhaust System
- Warning Lights: Glow Plugs, Water-in-fuel (or fuel filter), and Low Coolant
- Diesel Engine Identification:
 - Fender nameplates
 - LH rear door nameplate
 - “Diesel fuel only” filler cap and label
- Additional Insulation:
 - Fiberglass/aluminum engine cover and engine cover extension insulators
 - Special mastic/fibre front floor insulators
 - Front floor mats which extend under seats
 - Interior compartment dash panel insulation
 - Engine compartment dash panel insulation
 - Hush panels under instrument panel
 - Engine hood insulation
 - Special rubber seal at cowl

CHEVY VAN

(4900-lb - 8600-lb GVW)

1986 VEHICLES WITH STANDARD EQUIPMENT

Prices shown are effective with initial shipments of 1986 model motor vehicles

Description	Model Number	Body Code	Wheel Base	Factory D&H(a)	List Price	Mfr's Suggested Retail Price★	Group Number
◆ 6-Cylinder 4.3 Liter (262 Cu. In.) 4 BBL V6 Gasoline Engine-Engine Ordering Code LB1							
G10 Series							
Chevy Van	CG11005	ZW9	110"				17
Chevy Van	CG11305	ZW9	125"				17
G20 Series							
Chevy Van	CG21005	ZW9	110"				17
Chevy Van	CG21305	ZW9	125"				17
G30 Series							
Chevy Van	CG31305	ZW9	125"				17
◆ 8-Cylinder 5.7 Liter (350 Cu. In.) 4 BBL V8 Gasoline Engine-Engine Ordering Code LT9							
G30 H.D. Series							
# H.D. Chevy Van	CG31305	ZW9 & C6P	125"				17
◆ 8-Cylinder 6.2 Liter (379 Cu. In.) L.D. Diesel V8 Engine-Engine Ordering Code LH6							
G20 Series							
Chevy Van	CG21005	ZW9 & B3J	110"				17
Chevy Van	CG21305	ZW9 & B3J	125"				17
◆ 8-Cylinder 6.2 Liter (379 Cu. In.) H.D Diesel V8 Engine-Engine Ordering Code LL4							
G30 H.D. Series							
# H.D. Chevy Van	CG31305	ZW9 & C6P & B3J	125"				17

★ Manufacturer's Suggested Retail Prices do not include applicable destination charges, state and local taxes, license fees, optional equipment or special items or services.

◆ Refer to Dealer Order Guide for California Requirements.

Factory D&H is not applicable and will not be reflected in the MSRP when B3D School Bus Chassis is specified.

Please Note: Anyone ordering a vehicle for completion or modification and use as a bus and/or school bus is solely responsible for assuring that such completed vehicle and associated equipment, which might be ordered for the vehicle, comply with all applicable Local, State and Federal Government requirements.

OPTIONS WHEN INSTALLED BY GENERAL MOTORS

Prices shown are effective with initial shipments of 1986 model motor vehicles

Description	Option Number	Factory D&H(a)	List Price	Mfr's Suggested Retail Price◇
Seat Trim: (See Interior and Exterior Color Selection Chart for Ordering Information).				
V**2 Standard Vinyl Bucket Seats				
V**4 Vinyl High Back Bucket Seats				
Without A57 Auxiliary Seat				
With A57 Auxiliary Seat				
X**4 Custom Vinyl High Back Bucket Seats				
Without A57 Auxiliary Seat				
With A57 Auxiliary Seat				
Paints, Exterior: (See Interior and Exterior Color Selection Chart for Ordering Information and Paint Application).				
Solid				ZY1
Special Two-Tone. Includes B84 Black Body Side Moldings				ZY3
Deluxe Two-Tone. Includes B84 Black Body Side Moldings				ZY4
Emission Systems: Dealer Note - One of the following emission options must be specified. (See Power Teams Chart for availability and complete specifications).				
California Emission Requirements. Not available when NA6 High Altitude Emissions is specified. Includes all testing, equipment and/or certification necessary for registration in the State of California.				
Without LT9 5.7 Liter Engine				YF5
With LT9 5.7 Liter Engine				YF5

(a) D & H Charges on vehicle and optional equipment include reimbursement to ordering Division for any tax that it has paid, incurred or agreed to pay thereon.

◇ State and local taxes not included.

CHEVY VAN /VANDURA

OPTIONS WHEN INSTALLED BY GENERAL MOTORS

Prices shown are effective with initial shipments of 1986 model motor vehicles

Description	Option Number	Factory D&H(a)	List Price	Mfr's Suggested Retail Price ◊
<i>High Altitude Emission Equipment.</i> Available only when B3J Diesel Equipment, LB1 4.3 Liter or LE9 5.0 Liter Engine is specified. Not Available when YF5 California Emissions is specified				
	NA6		NO ADDITIONAL CHARGE	
<i>Standard Emission Equipment.</i> Not available when YF5 California or NA6 High Altitude Emissions are specified				
	NA5		NO ADDITIONAL CHARGE	
Engines: (See Power Teams Chart for availability and complete specifications)				
Gasoline.				
4.3 Liter (262 Cu. In.) 4 BBL V6. Standard on G1-2-3 Series without C6P H.D. Chassis				
	LB1		NO ADDITIONAL CHARGE	
5.0 Liter (305 Cu. In.) 4 BBL V8 G1-2 Series only. Not available when YF5 California Emissions is specified				
	LE9	N.A.	465.00	465.00
5.0 Liter (305 Cu. In.) 4 BBL V8. G1-2 Series only. Available only when MX0 Automatic Transmission and YF5 California Emissions are specified				
	LF3	N.A.	465.00	465.00
5.7 Liter (350 Cu. In.) 4 BBL V8. Standard on G3 Series with C6P H.D. Chassis				
	LT9		NO ADDITIONAL CHARGE	
Diesel.				
6.2 Liter (379 Cu. In.) L.D. V8 Diesel. G2 Series only. Available only when B3J Diesel Equipment is specified. Not available when YF5 California Emission Requirements is specified				
	LH6		NO ADDITIONAL CHARGE	
6.2 Liter (379 Cu. In.) H.D. V8 Diesel. G3 Series only. Available only when B3J Diesel Equipment and C6P H.D. Chassis is specified				
	LL4		NO ADDITIONAL CHARGE	
Transmissions:				
4-Speed Automatic with Overdrive. Standard on G3 Series without C6P H.D. Chassis. Not available when C6P H.D. Chassis is specified. Also not available with LE9 5.0 Liter Engine on G2 Series unless Z82 H.D. Trailering is specified				
	MX0	N.A.	695.00	695.00
3-Speed Automatic.				
G1-2 Series only. Not available when YF5 California Emissions or B3J Diesel Equipment is specified				
	MX1	N.A.	535.00	535.00
G3 series only. Standard on G3 Series with C6P H.D. Chassis. Not available when LB1 4.3 Liter Engine is specified				
	MX1		NO ADDITIONAL CHARGE	
3-Speed Manual. Standard on G1-2 Series. Not available G3 Series				
	MM3		NO ADDITIONAL CHARGE	
4-Speed Manual with Overdrive. G1-2 Series only. Standard on G2 Series with B3J Diesel Equipment				
	MM7	N.A.	290.00	290.00
Axles, Rear: (See Power Teams Chart for option number selection, availability and complete specifications)				
Optional Ratio				
	G80	N.A.	36.00	36.00
Locking Differential				
	G80	N.A.	238.00	238.00
Tires: (See Tire Charts for Tire availability)				
All rim sizes are 6.00" on G1-2 Series except when N67 or N90 Wheels are specified.				
All rim sizes are 6.75" on G3 Series.				
TUBELESS				
P195/75R15 All Seasons Steel Belted Radial Ply Blackwall (Maximum Capacity 1342-lbs)				
Front (Standard)	XAR		NO ADDITIONAL CHARGE	
Rear (Standard)	YAR		NO ADDITIONAL CHARGE	
Spare (Standard)	ZAR		NO ADDITIONAL CHARGE	
FR78/15B Fiberglass Belted Radial Ply Blackwall				
Front	XKM		NO ADDITIONAL CHARGE	
Rear	YKM		NO ADDITIONAL CHARGE	
Spare	ZKM		NO ADDITIONAL CHARGE	
P205/75R-15 All Seasons Steel Belted Radial Ply Blackwall. (Maximum Capacity 1453-lbs). Available only when N40 Power Steering is specified.				
Front	XCE	N.C.	22.00	22.00
Rear	YCE	N.C.	22.00	22.00
Spare	ZCE	N.C.	11.00	11.00

(a) D & H Charges on vehicle and optional equipment include reimbursement to ordering Division for any tax that it has paid, incurred or agreed to pay thereon.
 ◊ State and local taxes not included.

CHEVY VAN /VANDURA

OPTIONS WHEN INSTALLED BY GENERAL MOTORS

Prices shown are effective with initial shipments of 1986 model motor vehicles

Description	Option Number	Factory D&H(a)	List Price	Mfr's Suggested Retail Price ◊
Tires: (Continued)				
<i>P205/75R15 All Seasons Steel Belted Radial Ply Whitewall.</i>				
(Maximum Capacity 1453-lbs). Available only when N40				
Power Steering is specified.				
Front	XCG	N.C.	48.00	48.00
Rear	YCG	N.C.	48.00	48.00
Spare	ZCG	N.C.	24.00	24.00
<i>P205/75R15 All Seasons Steel Belted Radial Ply White Lettered.</i>				
(Maximum Capacity 1453-lbs). Available only when N40				
Power Steering is specified				
Front	XCF	N.C.	60.00	60.00
Rear	YCF	N.C.	60.00	60.00
Spare	ZCF	N.C.	30.00	30.00
<i>P205/75R15 On-Off Road Steel Belted Radial Ply Blackwall.</i>				
(Maximum Capacity 1453-lbs). Available only when N40				
Power Steering is specified.				
Rear	YJT	N.C.	42.00	42.00
Spare	ZJT	N.C.	21.00	21.00
<i>P215/75R15 All Seasons Steel Belted Radial Ply Blackwall.</i>				
(Maximum Capacity 1583-lbs). Available only when N40				
Power Steering is specified.				
Front	XCU	N.C.	46.00	46.00
Rear	YCU	N.C.	46.00	46.00
Spare	ZCU	N.C.	23.00	23.00
<i>P215/75R15 All Seasons Steel Belted Radial Ply Whitewall.</i>				
(Maximum Capacity 1583-lbs). Available only when N40				
Power Steering is specified.				
Front	XCV	N.C.	74.00	74.00
Rear	YCV	N.C.	74.00	74.00
Spare	ZCV	N.C.	37.00	37.00
<i>P215/75R15 All Seasons Steel Belted Radial Ply White Lettered.</i>				
(Maximum Capacity 1583-lbs). Available only when N40				
Power Steering is specified.				
Front	XCW	N.C.	86.00	86.00
Rear	YCW	N.C.	86.00	86.00
Spare	ZCW	N.C.	43.00	43.00
<i>P225/75R15 All Seasons Steel Belted Radial Ply Blackwall</i>				
(Maximum Capacity 1703-lbs). Not available when B3J Diesel				
Equipment is specified.				
Front (Standard)	XET	NO ADDITIONAL CHARGE		
Rear (Standard)	YET	NO ADDITIONAL CHARGE		
Spare	ZET	N.C.	130.00	130.00
<i>P225/75R15 All Seasons Steel Belted Radial Ply Whitewall</i>				
(Maximum Capacity 1703-lbs). Not available when B3J Diesel				
Equipment is specified.				
Front	XEU	N.C.	34.00	34.00
Rear	YEU	N.C.	34.00	34.00
Spare	ZEU	N.C.	147.00	147.00
<i>P225/75R15 All Seasons Steel Belted Radial Ply White Lettered</i>				
(Maximum Capacity 1703-lbs). Not available when B3J Diesel				
Equipment is specified.				
Front	XEV	N.C.	46.00	46.00
Rear	YEV	N.C.	46.00	46.00
Spare	ZEV	N.C.	153.00	153.00
<i>P235/75R15 All Seasons Steel Belted Radial Ply Blackwall</i>				
(Maximum Capacity 1843-lbs). Available only when B3J Diesel				
Equipment is specified.				
Front	XFL	NO ADDITIONAL CHARGE		
Rear	YFL	NO ADDITIONAL CHARGE		
Spare	ZFL	N.C.	143.00	143.00
<i>P235/75R15 All Seasons Steel Belted Radial Ply Whitewall</i>				
(Maximum Capacity 1843-lbs). Available only when B3J Diesel				
Equipment is specified.				
Front	XFM	N.C.	34.00	34.00
Rear	YFM	N.C.	34.00	34.00
Spare	ZFM	N.C.	160.00	160.00

(a) D & H Charges on vehicle and optional equipment include reimbursement to ordering Division for any tax that it has paid, incurred or agreed to pay thereon.

◊ State and local taxes not included.

CHEVY VAN /VANDURA

OPTIONS WHEN INSTALLED BY GENERAL MOTORS

Prices shown are effective with initial shipments of 1986 model motor vehicles

Description	Option Number	Factory D&H(a)	List Price	Mfr's Suggested Retail Price ^o
Tires: (Continued)				
<i>P235/75R15 All Seasons Steel Belted Radial Ply White Lettered</i> (Maximum Capacity 1843-lbs). Available only when B3J Diesel Equipment is specified.				
Front	XFN	N.C.	46.00	46.00
Rear	YFN	N.C.	46.00	46.00
Spare	ZFN	N.C.	166.00	166.00
<i>8.75-16 5/E Highway Nylon Blackwall</i> (Maximum Capacity 2680-lbs). Available only when C6P H.D. Chassis is specified.				
Front (Standard)	XTH	NO ADDITIONAL CHARGE		
Rear (Standard)	YTH	NO ADDITIONAL CHARGE		
Spare				
Without B3D School Bus Chassis Equipment	ZTH	.14	181.00	181.14
With B3D School Bus Chassis Equipment	ZTH	N.C.	181.00	181.00
<i>8.75R-16.5/C Highway Steel Belted Radial Ply Blackwall</i> (Maximum Capacity 1990-lbs). Available only when LB1 4.3 Liter Engine is specified.				
Front	XWU	NO ADDITIONAL CHARGE		
Rear	YWU	NO ADDITIONAL CHARGE		
Spare	ZWU	.21	219.00	219.21
<i>8.75R-16.5/E Highway Steel Belted Radial Ply Blackwall</i> (Maximum Capacity 2680-lbs). Available only when C6P H.D. Chassis is specified.				
Front				
Without B3D School Bus Chassis Equipment	XVD	1.42	144.00	145.42
With B3D School Bus Chassis Equipment	XVD	N.C.	144.00	144.00
Rear				
Without B3D School Bus Chassis Equipment	YVD	1.42	144.00	145.42
With B3D School Bus Chassis Equipment	YVD	N.C.	144.00	144.00
Spare				
Without B3D School Bus Chassis Equipment	ZVD	.85	253.00	253.85
With B3D School Bus Chassis Equipment	ZVD	N.C.	253.00	253.00

OTHER OPTIONS

Air Conditioning: *All-Weather.* Includes extra cooling.

Front. Instrument panel mounted. Recommended for front seat area cooling only. With LB1 4.3 Liter Engine available only when KC4 Engine Oil Cooler and MX0 or MX1 Automatic Transmission are specified on G1-2 Series.

Without B3J Diesel Equipment. Includes K81 66-Amp Generator

C60	N.A.	855.00	855.00
C60	N.A.	793.00	793.00

Front and Rear. Front instrument panel mounted and rear overhead systems. Available only when V8 Engine is specified.

Without B3J Diesel Equipment. Includes K81 66-Amp Generator

C69	N.A.	1420.00	1420.00
C69	N.A.	1358.00	1358.00

Appearance, Deluxe Front: Includes dark argent grille with bright trim. Also includes dual rectangular headlamps

V22	N.A.	118.00	118.00
-----	------	--------	--------

Battery: *Heavy-Duty.* 515 Cold Cranking Amps, Delco Freedom. Not available when B3J Diesel Equipment is specified. Included when Z82 Trailering Special is specified.

UA1	N.A.	53.00	53.00
-----	------	-------	-------

Brakes: *G1 Series only*

Power

J50	N.A.	95.00	95.00
J55	N.A.	174.00	174.00

Bumper Equipment:

Bumpers, Front and Rear. Chromed

V37	N.A.	72.00	72.00
-----	------	-------	-------

Guards, Front Bumper. Chromed. 125" wheelbase only. Available only when V37 Front and Rear Bumpers are specified

V31	N.A.	41.00	41.00
-----	------	-------	-------

(a) D & H Charges on vehicle and optional equipment include reimbursement to ordering Division for any tax that it has paid, incurred or agreed to pay thereon.

^o State and local taxes not included.

CHEVY VAN /VANDURA

OPTIONS WHEN INSTALLED BY GENERAL MOTORS

Prices shown are effective with initial shipments of 1986 model motor vehicles

Description	Option Number	Factory D&H(a)	List Price	Mfr's Suggested Retail Price ◇
OTHER OPTIONS				
Clock: Quartz Electric. Not available when UM6 Radio is specified	U35	N.A.	39.00	39.00
Cooling Systems: Available only when Gasoline Engine is specified. <i>Engine Oil.</i>				
G1 Series only. Available only when LB1 4.3 Liter Engine and MX0 or MX1 Automatic Transmission is specified	KC4	N.A.	120.00	120.00
G2 Series only. Available only when MX0 or MX1 Automatic Transmission is specified. When V8 gasoline Engine is specified, available only when V02 H.D. Radiator and Transmission Oil Cooler is also specified. Included when Z82 Trailering Special is specified	KC4	N.A.	120.00	120.00
G3 Series only. Standard when LB1 4.3 Liter Engine is specified. Available only when V02 H.D. Radiator and Transmission Oil Cooler is specified. Included when Z82 Trailering Special is specified	KC4	N.A.	120.00	120.00
<i>Cooling, Heavy-Duty.</i> Not available when C60 Front or C69 Front and Rear Air Conditioning is specified. Includes increased cooling capacity radiator and clutch type fan.	V05	N.A.	53.00	53.00
<i>Radiator and Transmission Oil, Heavy-Duty.</i> Included when Z82 Trailering Special is specified				
G1-2 Series only. Not available when MM3 or MM7 Transmission is specified. Available only when V05 Heavy-Duty Cooling, C60 Front Air Conditioning or C69 Front and Rear Air Conditioning is specified. LB1 4.3 Liter Engine with 3.08 Rear Axle, MX1 Automatic Transmission and V05 H.D. Cooling are available only when KC4 Engine Oil Cooler is specified	V02	N.A.	59.00	59.00
G3 Series only. Standard when LB1 4.3 Liter Engine is specified	V02	N.A.	59.00	59.00
Cover, Spare Tire: Black Vinyl on G1 Series and Color-Keyed Vinyl on G2-3 Series	P17	N.A.	32.00	32.00
Doors: (One of the following door options must be specified.) <i>Side Swing Out.</i> Replaces YA2 Standard Sliding Side Door.	E24	NO ADDITIONAL CHARGE		
<i>Side, Sliding</i>	YA2	NO ADDITIONAL CHARGE		
Door Lock System, Power: All Doors. Included when ZQ2 Operating Convenience Package is specified	AU3	N.A.	198.00	198.00
Extender Link, Side Rear Door Not available when E24 Swing Out Side Doors are specified	AW4	N.A.	35.00	35.00
Floor Covering:				
<i>Carpeting, Wheelhousing and Floor.</i> Front area only. Includes stepwell mats. Available only when A57 Auxiliary Seat is specified. Not available when black trim is specified	B30	N.A.	114.00	114.00
<i>Mats, Color-Keyed Front Floor, Removable.</i> Available only when B30 Carpeting and A57 Auxiliary Seat are specified.	B32	N.A.	21.00	21.00
Gages: Voltmeter, Temperature and Oil Pressure	Z53	N.A.	40.00	40.00
Generator: 66-Amp Delco-tron. Included when C60 Front or C69 Front and Rear Air Conditioning, B3J Diesel Equipment or C36 Rear Heater is specified.	K81	N.A.	62.00	62.00

(a) D & H Charges on vehicle and optional equipment include reimbursement to ordering Division for any tax that it has paid, incurred or agreed to pay thereon.
◇ State and local taxes not included.

CHEVY VAN /VANDURA

OPTIONS WHEN INSTALLED BY GENERAL MOTORS

Prices shown are effective with initial shipments of 1986 model motor vehicles

Description	Option Number	Factory D&H(a)	List Price	Mfr's Suggested Retail Price ◇
OTHER OPTIONS				
Glass: (Continued)				
<i>Deep Tinted.</i> Available only when other body glass or door glass is specified. Not available when A01 Tinted Glass is specified. Includes tinted glass on passenger and driver's side door. Also includes A02 Windshield Glass and dark laminated glass on side windows and rear door.				
With A07 Body Glass	AJ1	N.A.	380.00	380.00
Without A07 Body Glass				
With A08 RH Side Body Glass, A17 Swing-Out Left Side Glass, A19 Swing-Out Side Door Glass and A12 Rear Door Glass or A18 Swing-Out Rear Door Glass	AJ1	N.A.	315.00	315.00
With A08 RH Side Body Glass, A17 Swing-Out Left Side Glass and A19 Swing-Out Side Door Glass	AJ1	N.A.	225.00	225.00
With A17 Swing-Out Left Side Glass, A19 Swing-Out Side Door Glass and A12 Rear Door Glass or A18 Swing-Out Rear Door Glass	AJ1	N.A.	225.00	225.00
With A08 RH Side Body Glass and A12 Rear Door Glass or A18 Swing-Out Rear Door Glass	AJ1	N.A.	225.00	225.00
With A08 RH Side Body Glass	AJ1	N.A.	173.00	173.00
Without A08 RH Side Body Glass				
With A12 Rear Door Glass or A18 Swing-Out Rear Door Glass and A13 Side Door Glass or A19 Swing-Out Side Door Glass	AJ1	N.A.	173.00	173.00
With A17 Swing-Out Left Side Glass and A19 Swing-Out Side Door Glass	AJ1	N.A.	173.00	173.00
With A13 Side Door Glass or A19 Swing-Out Side Door Glass	AJ1	N.A.	112.00	112.00
With A12 Rear Door Glass or A18 Swing-Out Rear Door Glass	AJ1	N.A.	112.00	112.00
<i>Deep Tinted with Light Tinted Rear Window.</i> Available only when A07 Body Glass is specified. Includes tinted glass on passenger, driver's side and rear door. Also includes A02 Tinted Windshield and dark laminated glass on side windows.				
Swing-Out Rear Door	AA3	N.A.	320.00	320.00
Without A07 Body Glass	A18	N.A.	103.00	103.00
With A07 Body Glass	A18	N.A.	55.00	55.00
Body, 6 Windows. Includes A12 Rear Door Glass without A18 Swing-Out Rear Door Glass. Also includes A08 RH Side Body Glass	A07	N.A.	194.00	194.00
RH Side Body, 2 Windows. Included when A07 Body Glass is specified. Includes A13 Side Door Glass	A08	N.A.	77.00	77.00
Rear Door, Fixed. Not available when A18 Swing-Out Rear Door is specified. Included when A07 Body Glass is specified. Includes interior rearview mirror	A12	N.A.	48.00	48.00
Side Door, Fixed. Included when A08 RH Side Body Glass or A07 Body Glass is specified	A13	N.A.	38.00	38.00
Swing-Out LH Side Body. Available only when A19 Swing-Out Side Door Glass is specified.				
Without A07 Body Glass	A17	N.A.	111.00	111.00
With A07 Body Glass	A17	N.A.	73.00	73.00
Swing-Out Side Door. Not available when A13 Side Door Glass is specified.				
Without A07 Body Glass or A08 RH Side Body Glass	A19	N.A.	111.00	111.00
With A07 Body Glass or A08 RH Side Body Glass	A19	N.A.	73.00	73.00
Headlamps:				
Halogen. Not available with V22 Front Appearance	TT4	N.A.	22.00	22.00
Halogen Hi-Beam. Available only when V22 Deluxe Appearance is specified.	TT5	N.A.	17.00	17.00
Heaters:				
Engine Block, 600 Watts, 120 Volts. Not available when B3J Diesel Equipment is specified	K05	N.A.	31.00	31.00
Rear. Located on left side, forward of rear fender wall				
Without C60 Front or C69 Front and Rear Air Conditioning or B3J Diesel Equipment. Includes K8 166-Amp Generator	C36	N.A.	256.00	256.00
With C60 Front or C69 Front and Rear Air Conditioning or B3J Diesel Equipment	C36	N.A.	194.00	194.00

(a) D & H Charges on vehicle and optional equipment include reimbursement to ordering Division for any tax that it has paid, incurred or agreed to pay thereon.

◇ State and local taxes not included.

CHEVY VAN /VANDURA

OPTIONS WHEN INSTALLED BY GENERAL MOTORS

Prices shown are effective with initial shipments of 1986 model motor vehicles

Description	Option Number	Factory D&H(a)	List Price	Mfr's Suggested Retail Price (D)
OTHER OPTIONS				
Key Unit: Separate keys for side and rear cargo doors	AU2	N.A.	8.00	8.00
Lamps: Rear Dome and Reading. Available only when TR9 Auxiliary Lighting is specified	TVR	N.A.	30.00	30.00
Lighter, Cigarette	U37	N.A.	30.00	30.00
Lighting, Auxiliary: Includes front compartment combination dome-reading light, lights for RH, LH front stepwells and side door stepwell and headlamp warning buzzer	TR9	N.A.	98.00	98.00
Mirrors, Exterior: LH and RH. Below-Eye-Line Type. 9" x 6.5"				
Painted	D44	N.A.	50.00	50.00
Stainless Steel	D45	N.A.	83.00	83.00
Moldings:				
Body Side Black. Included when ZY3 or ZY4 paint is specified. Includes body front, side and rear moldings	B84	N.A.	126.00	126.00
Wheel Opening	B96	N.A.	70.00	70.00
Operating Convenience Package: Includes AU3 Power Door Locks and A31 Power Windows	ZQ2	N.A.	388.00	388.00
Preliminary Price Information	B3W	N.A.	N.A.	N.A.
Radio Equipment:				
AM Radio. Includes dual front speakers	U63	N.A.	112.00	112.00
AM/FM Radio. Includes dual front speakers	U69	N.A.	171.00	171.00
AM/FM Stereo Radio. Includes dual front speakers and wiring for rear speakers	U58	N.A.	178.00	178.00
AM/FM Stereo Radio with Stereo Cassette Tape. Includes dual front speakers and wiring for rear speakers	UN3	N.A.	278.00	278.00
AM/FM Stereo Radio and Stereo Cassette Tape, Seek and Scan and Digital Clock. Electronically Tuned. Includes U66 Premium Speakers	UM6	N.A.	409.00	409.00
Speakers, Premium. Includes dual two front speakers and wiring for rear speakers. Available only when UN3 or U58 Radio is specified.	U66	N.A.	10.00	10.00
School Bus Equipment: G3 Series only. Available only when C6P H.D. Chassis is specified. Not available when VR2 or VR4 Hitch, Z72 or Z82 Trailering Special is specified	B3D	N.A.	21.00	21.00
Seat: Front Auxiliary. Stationary Type. Includes RH armrest. D20 Passenger Sunshade, seat belt, seat adjuster and floor mat. (Added weight includes passenger weight allowance of 150-lbs per seating position. Refer to vehicle and option weight section of Data Book.)	A57	N.A.	175.00	175.00
Shock Absorbers: Heavy-Duty, Front and Rear	F51	N.A.	34.00	34.00
Speed Control, Electronic: G1 Series available only when J50 Power or J55 H.D. Power Brakes are specified	K34	N.A.	195.00	195.00
Springs: Heavy-Duty.				
Front. Capacity 1700-lb each. G1 Series only. Available only when J50 Power or J55 H.D. Power Brakes are specified	F60	N.A.	14.00	14.00
Rear.				
Capacity 1700-lb each. G1 Series only	G50	N.A.	58.00	58.00
Capacity 2100-lb each. G2 Series only	G50	N.A.	34.00	34.00
Stabilizer Bar: Front. Standard on G3 Series when C6P H.D. Chassis is specified. Included when Z82 Trailering Special is specified	F59	N.A.	38.00	38.00
Steering:				
Power. Standard on G2-3 Series	N40	N.A.	276.00	276.00
Power, Not Desired. G1 Series only. Not available when Z72 Trailering Special is specified	N51	NO ADDITIONAL CHARGE		
Steering Wheels:				
Comfortilt	N33	N.A.	115.00	115.00
Custom	N31	N.A.	26.00	26.00

(a) D & H Charges on vehicle and optional equipment include reimbursement to ordering Division for any tax that it has paid, incurred or agreed to pay thereon.

◇ State and local taxes not included.

CHEVY VAN /VANDURA

OPTIONS WHEN INSTALLED BY GENERAL MOTORS

Prices shown are effective with initial shipments of 1986 model motor vehicles

Description	Option Number	Factory D&H(a)	List Price	Mfr's Suggested Retail Price ^c
OTHER OPTIONS				
Stop, Positive: Rear Door	AD8	N.A.	35.00	35.00
Sunshade, Passenger: Included when A57 Auxiliary Seat is specified	O20	N.A.	19.00	19.00
Tank, Fuel: 125" wheelbase only. Approximately 33-gallon capacity. Replaces production tank	NL7	N.A.	90.00	90.00
Trailer Hitch:				
<i>Deadweight Type.</i> Not available when Z82 Trailing Special is specified. Included when Z72 Trailing Special is specified.	VR2	N.A.	64.00	64.00
<i>Weight Distributing Platform Type.</i> Included when Z82 Trailing Special is specified	VR4	N.A.	178.00	178.00
Trailing Special Equipment: (See Trailing Guide for GCW Ratings with available power team combinations.) Heavy-Duty. G2-3 Series only. Includes VR4 Weight Distributing Hitch Platform, H.D. Flashers and H.D. 7 Lead Wiring Harness.				
G2 Series. Available only when F51 H.D. Shock Absorbers, 3.73 Rear Axle Ratio, MX0 or MX1 Automatic Transmission, LE9 5.0 Liter Engine or B3J Diesel Equipment is specified. Also available only when K81 66-Amp Generator is specified unless C60 Front or C69 Front and Rear Air Conditioning or B3J Diesel Equipment is specified. Also includes F59 Stabilizer Bar.				
Without B3J Diesel Equipment. Includes KC4 Engine Oil Cooler, UA1 H.D. Battery and V02 H.D. Radiator and Transmission Oil Cooler	Z82	N.A.	562.00	562.00
With B3J Diesel Equipment	Z82	N.A.	330.00	330.00
G3 Series. Available when LT9 5.7 Liter Engine or B3J Diesel Equipment and MX0 or MX1 Automatic Transmission are specified. Also available only when K81 66-Amp Generator is specified unless C60 Front or C69 Front and Rear Air Conditioning or B3J Diesel Equipment is specified.				
Without B3J Diesel Equipment. Also includes KC4 Engine Oil Cooler, UA1 H.D. Battery and V02 H.D. Radiator and Transmission Oil Cooler	Z82	N.A.	524.00	524.00
With B3J Diesel Equipment	Z82	N.A.	292.00	292.00
<i>Light-Duty.</i> Available only when C60 Front or C69 Front and Rear Air Conditioning, B3J Diesel Equipment, V05 H.D. Radiator and MX0 or MX1 Automatic Transmission are specified. G1 Series available only when N40 Power Steering, F59 Stabilizer and J50 Power or J55 H.D. Power Brakes are specified. G2 Series available only when F59 Stabilizer is specified. Includes VR2 Deadweight Trailer Hitch and 5 lead wiring harness	Z72	N.A.	125.00	125.00
Wheels:				
<i>Rally.</i> G1-2 Series only. Includes 15" x 6.50" wheels, trim rings and special hub caps	N67	N.A.	115.00	115.00
<i>Aluminum, Cast. Four Wheels only.</i> G1-2 Series only. Includes 15" x 6.50" wheels and special hub caps	PF3	N.A.	299.00	299.00
Windows: Power. Front side doors only. Included when ZQ2 Operating Convenience Package is specified	A31	N.A.	190.00	190.00
Windshield Wiper System: Intermittent	CD4	N.A.	55.00	55.00

(a) D & H Charges on vehicle and optional equipment include reimbursement to ordering Division for any tax that it has paid, incurred or agreed to pay thereon.
 ◇ State and local taxes not included.

NOTES

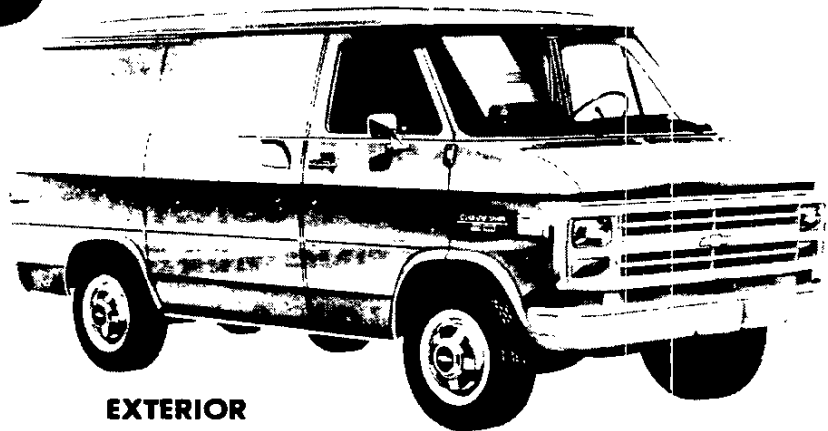
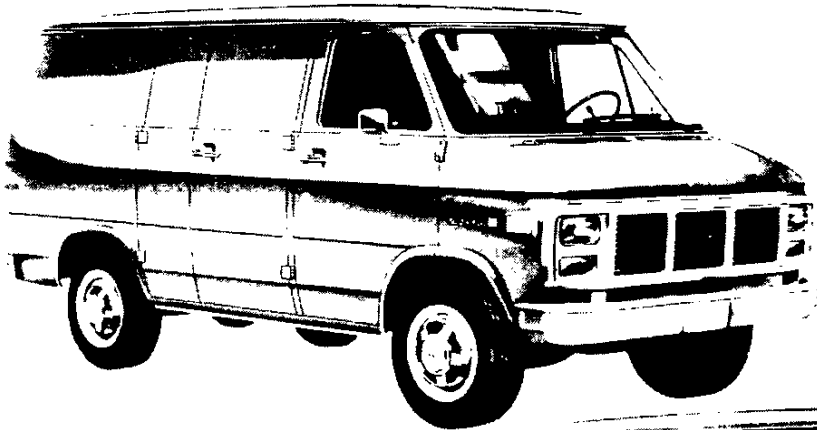
CHEVY VAN/VANDURA

**CAB & BODY FEATURES
BODY CONSTRUCTION
SEATING ARRANGEMENTS
COLOR & TRIM CHARTS
TWO-TONES**

CHEVY VAN/VANDURA

STANDARD MODEL—BODY ORDERING CODE—ZW9

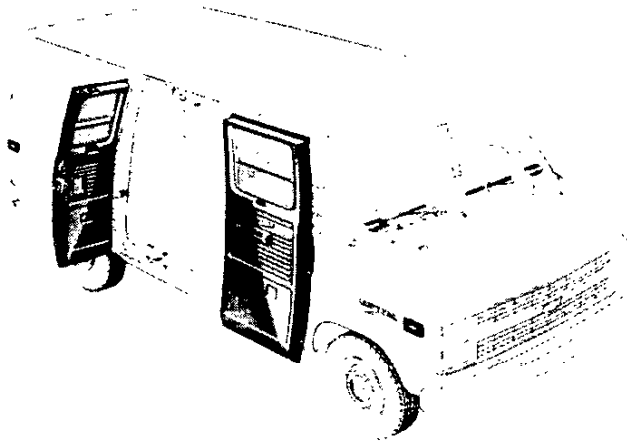
The standard model includes the following items as standard equipment



EXTERIOR

- **Bumpers:** Front and rear; painted silver
- **Colors:** See Interior and Exterior Color Selection Chart
- **Doors:** RH and LH front side doors; RH and LH rear load doors; a RH sliding side load door is standard, however, hinged RH side loading doors are available
- **Door Opening and Locking Methods:**
 - Front side doors: Outside pushbutton latch release in door handle with separate key lock; keyless outside locking
 - Sliding side load door: turning outside handle counterclockwise releases both front and rear latches; to close door, reverse procedure; for opening and closing of door from inside, reverse outside procedure; door is locked from outside through a separate key lock
 - RH and LH rear doors: Pushbutton latch release in RH door handle opens door, and after opening RH door, LH door latch is released by lower inside lift handle; separate key lock cylinder in RH door
- **Glass:** Windshield; RH and LH front side door drop glass and pivoting ventpanes
- **Grille:** Molded plastic; painted light argent; integral Chevrolet emblem/GMC letters at center
- **Grille Frame:** Headlamp/parking lamp bezels plus upper and lower moldings joining extensions of lamp bezels; painted light argent
- **Horn:** Single, electric low-note
- **Hub Caps:** Bright metal with black trim
- **Keys:** Two-key system with separate keys for ignition switch and doors and tailgate
- **Lights:**
 - Backup lamps: Two rear (integral with taillamps)
 - Combination parking/direction/hazard: Two front
 - Combination tail/stop/direction/hazard: Two rear
 - Headlamps: Two; Rectangular
 - License plate lamp: Single rear
 - Side marker lamps with reflectors: Two front and two rear
- **Mirrors:** RH and LH chrome; fixed arm with adjustable 6" wide x 4⁷/₁₆" high head

- **Nameplates:** Bright "Chevy Van/Vandura/Series" plate on front fenders; bright "Chevrolet/GMC letters" plate on LH rear door
- **Tools:** Mechanical jack and wheel wrench
- **Undercoating:** On body rocker panels, step panels, wheel-housings
- **Wheels:** Painted white
- **Windshield Wipers and Washers:** Electric, 2-speed wipers with black finish on exposed metal portions; wet-arm design demand-type washer system



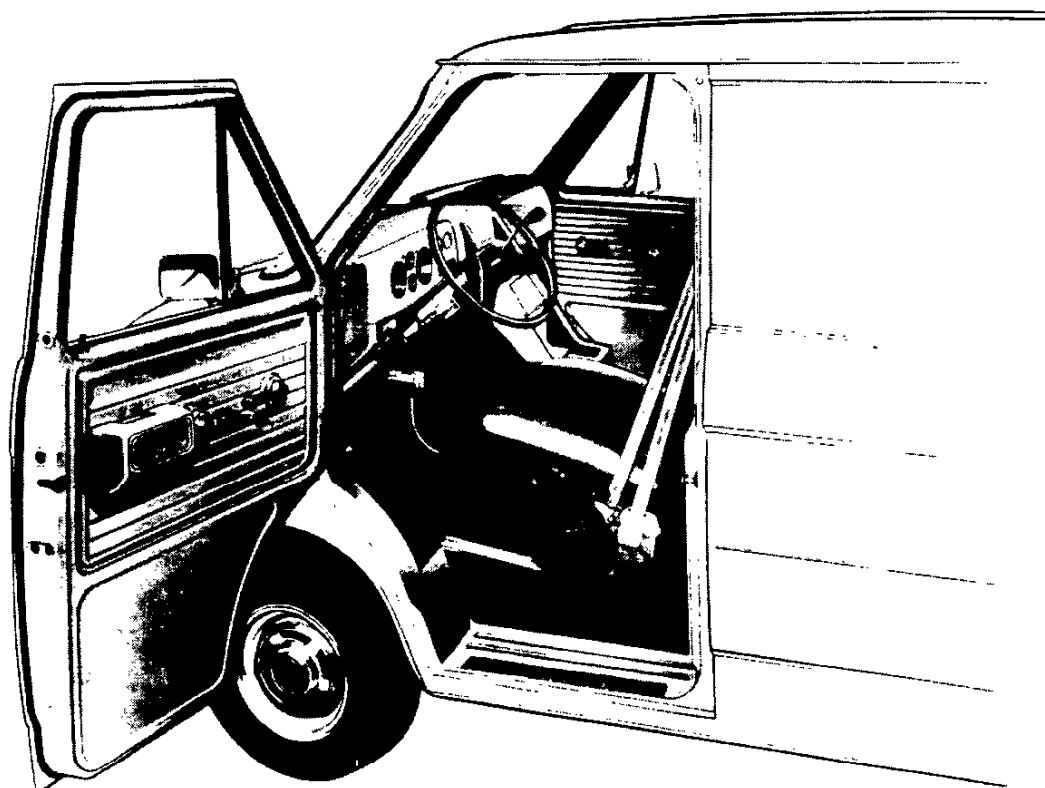
SIDE SWING OUT DOORS—RPO E24

These hinged double side doors are available at no extra cost to replace the standard sliding side door. They feature stainless steel hinge pins and galvanized steel outer panels. The forward door is approximately 12 inches wider than the rearward door to provide a wide opening for cargo or passengers when only the forward door is opened.

CHEVY VAN/VANDURA

STANDARD MODEL—BODY ORDERING CODE—ZW9

The standard model includes the following items as standard equipment



INTERIOR

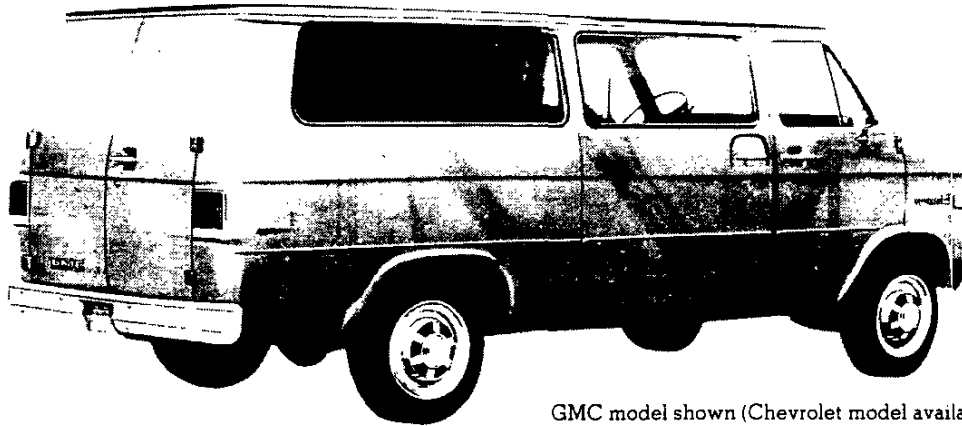
- **Air Vents:** RH and LH; individually controlled
- **Armrest:** LH side door; padded
- **Ashtray:** At top of instrument panel extension; with door
- **Coat Hooks:** On LH side panel to rear of driver's seat
- **Colors:**
 - Painted areas: Same as exterior primary color choice
 - Interior trim: Coordinated with seat trim color choice
- **Dome Lamps:** Two; with front door-actuated switches (dome lamps may also be activated by main light switch)
- **Door Locks:** Inside pushbutton lock/release for front doors; rotating locking knob for sliding side door
- **Door Seals:** Latex foam rubber
- **Floor Covering:** Embossed black rubber mats, LH front floor area and wheelhousing
- **Headliner:** Mystic-colored perforated hardboard; driver area
- **Heater and Defogger:** Deluxe-air
- **Hood Lock Release:** Handle located on LH side of instrument panel
- **Instruments:**
 - Gages: Speedometer, odometer, and fuel
 - Switches: Main, for control of exterior lights, instrument lights and dome lights; multi-function switch on steering column for direction signals by moving lever up or down (includes lane change position), headlight beams by pulling lever toward driver, windshield wiper by turning band marked "WIPER" toward or away from driver, and windshield washer by pushing in the lever knob; ignition with key-in warning buzzer; hazard warning; heater fan; door-operated dome lamp

Warning lights: Generator, oil pressure, engine temperature, service-parking brake, direction/hazard signal, and high beam

- **Instrument Panel:** Bright trim on gauge bezels; black applique with bright trim on area below instrument cluster
- **Insulation and Sound Deadening Material:** Dash (fire-wall), LH front floor panel, engine cover front extension and inside engine cover
- **Lights:** Instruments, front and rear dome
- **Main Light Switch Control Knob:** Bright, with brushed finish and black graphic identification
- **Parcel Tray:** On top surface of instrument panel extension; includes beverage holder provisions
- **Safety Step Pads:** Front and rear side door step panels
- **Seat:** Front, bucket driver; adjustable; all-vinyl trim; foam padded. Also available at extra cost: High back driver and passenger seats in standard vinyl or Custom vinyl. See Interior and Exterior Color Selection Chart for color and trim availability
- **Seat Belt:** Color-keyed with pushbutton release and outboard retractor
- **Spare Tire Carrier:** RH rear side
- **Steering Wheel and Column:** 15.25" diameter black soft vinyl wheel with 2 spokes; black energy-absorbing steering column with anti-theft locking feature
- **Stowage Box:** In front face of instrument panel extension; with latched door
- **Sunshade:** LH padded, color-keyed
- **Trim Panels:** Painted metal with decorative embossments; front and rear side doors

CHEVY VAN/VANDURA

BODY GLASS COMBINATIONS



GMC model shown (Chevrolet model available)

2-WINDOW RH BODYSIDE GLASS (RPO A08)

Two-window glass for RH side of vehicle only. Windows with fixed glass provided in RH rear-quarter panel and in side cargo door(s). Included in 6-Window Body Glass (RPO A07).

FIXED SIDE DOOR GLASS (RPO A13)

A single large fixed glass in the RH sliding cargo door or a single fixed glass in each hinged side cargo door. Included with 2-Window Body Glass (RPO A08).



Chevrolet model shown (GMC model available)

6-WINDOW BODY GLASS (RPO A07)

Full body glass consisting of six fixed-glass windows. Option is comprised of LH and RH rear-quarter window glass, LH front-quarter window glass, side cargo door glass, and LH and RH rear cargo door glass. Includes interior non-glare mirror.

FIXED REAR DOOR GLASS (RPO A12)

Consists of RH and LH rear door fixed glass. Includes interior non-glare mirror. Included with 6-Window Body Glass (RPO A07).

SWING-OUT LH SIDE GLASS (RPO A17)

Consists of divided, bright-framed swing-out glass installed on the LH side of the body opposite the side cargo door(s). Individual latches allow independent operation. Requires Swing-Out Side Door Glass (RPO A19).

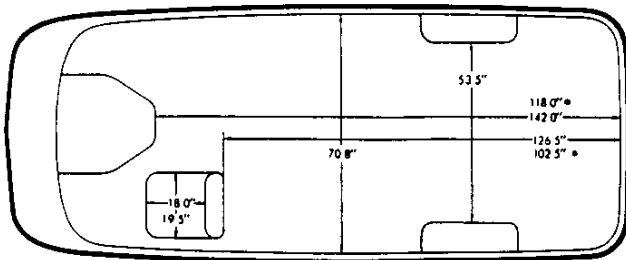
SWING-OUT SIDE DOOR GLASS (RPO A19)

Swing-out windows for the side cargo door(s) are bright framed. Sliding door unit is divided at the center for individual operation.

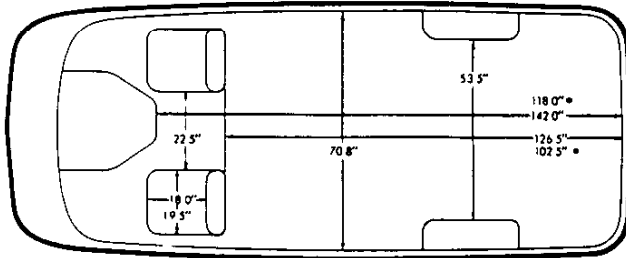
SWING-OUT REAR DOOR GLASS (RPO A18)

Consists of LH and RH rear cargo door glass with swing-out hinge and latch. Includes interior non-glare mirror.

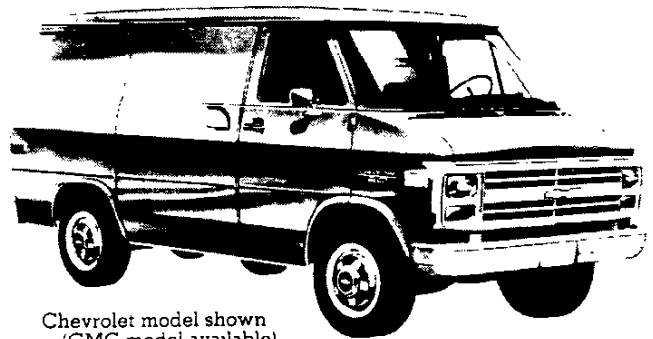
CHEVY VAN/VANDURA



STANDARD DRIVER'S SEAT ONLY



WITH OPTIONAL RH PASSENGER SEAT



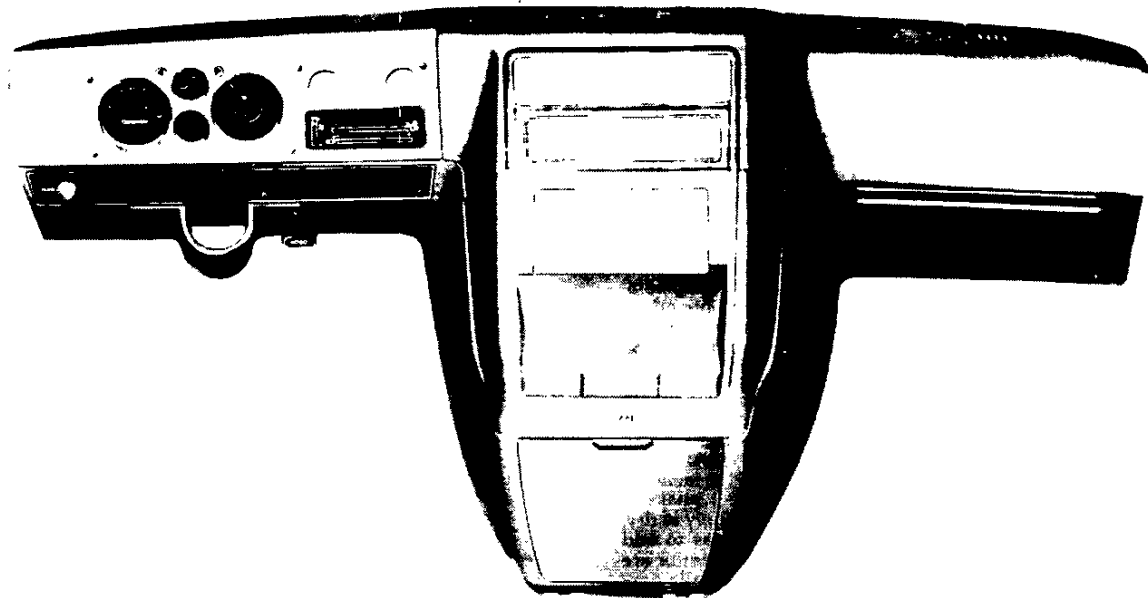
Chevrolet model shown
(GMC model available)

CHEVY VAN/VANDURA SEATING AND LOADSPACE

Seating arrangement for standard and optional front seat.

*110" WB MODELS

INSTRUMENTS



The standard instrument cluster gages and heater controls are set into the molded plastic instrument panel and have bright bezels. The large LH opening contains the speedometer, odometer, high beam indicator, and service-parking brake warning light. Diesel engine models will also have warning lights for low coolant, glow plugs and water-in-fuel.

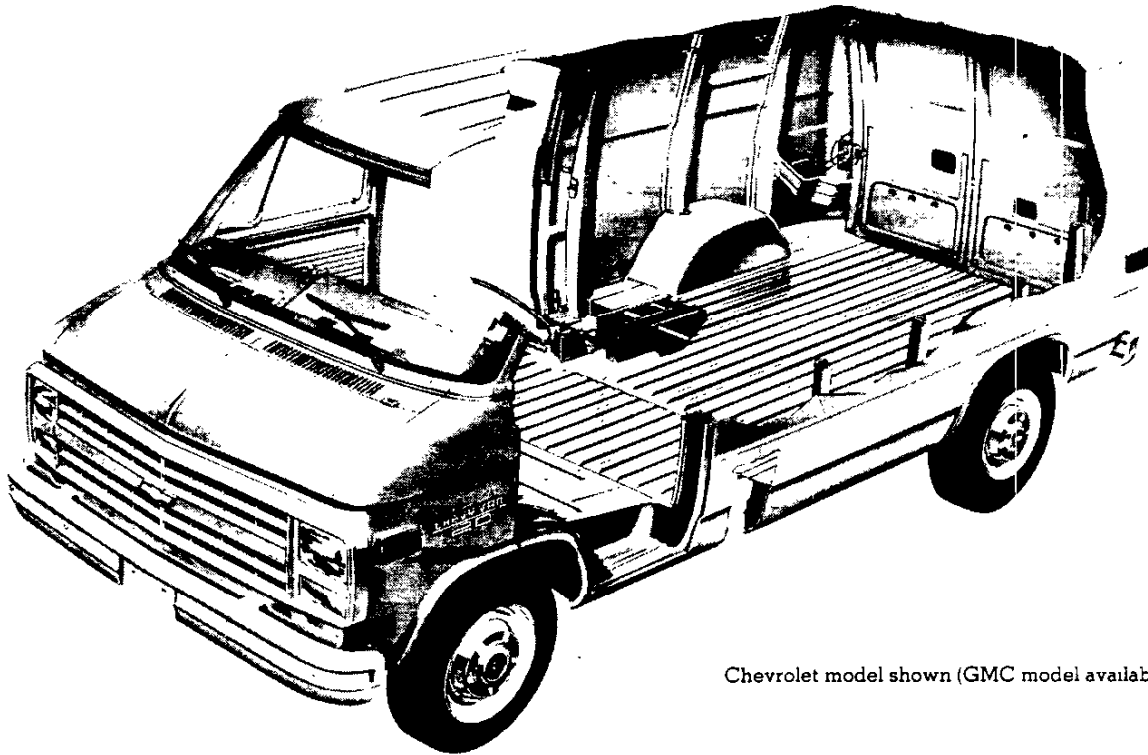
The large RH opening contains the fuel gage with a graphic symbol. An "Unleaded Fuel Only" notation is carried on the face of the fuel gage for models which require this fuel. The upper small opening between these two large openings houses the warning lights with graphic symbols for temperature, low oil pressure and generator. The lower opening is provided to house the RPO U35 electric clock.

On the upper RH side the two small openings are provided to house the controls for the RPO C36 rear heater (LH) and the RPO C69 rear air conditioner (RH). Below these openings are the heater/defogger and optional front air conditioner controls with graphic symbols for the fan and defogger. A similar instrument cluster with voltmeter, oil pressure gage and engine temperature gage is available as RPO Z53.

The area below the instrument cluster contains, from left to right, the windshield washer/wiper switch, with graphic symbol, main light switch, and ignition switch. This lower area has a black applique with bright trim. At the far left is the provision for the LH front air conditioner air outlet.

CHEVY VAN/VANDURA

BODY CONSTRUCTION FEATURES



Chevrolet model shown (GMC model available)

The all-steel, Chevy Van/Vandura and Sportvan/Rally bodies feature body-frame integral construction for outstanding structural rigidity and excellent durability. The basic bodies of either the nominal 15 foot (110" WB) or 17 foot (125" WB) models are comprised of an underbody structure, front end structure, left and right hand side panel structures, and a roof panel structure.

Longitudinal side rails, cross sills, and outriggers form the integral frame to which front and rear floor panels are welded, completing the underbody structure. Main structural members are of heavy-gage steel. A step well is incorporated in the underbody in the area adjacent to the front doors and sliding side door to provide convenient entry and exit.

The front end structure incorporates an engine compartment with outside opening hood panel which affords quick and easy access to 27 service points, such as the engine, radiator, battery, brake master cylinder and windshield washer reservoir. The radiator support upper tie bar and baffles are mechanically attached to facilitate engine removal. A plenum chamber with high-level air intake is utilized in the front end structure to assure a plentiful supply of dry, outside air for interior heating and ventilating as well as to add rigidity to the overall body structure. Air outlets to the interior are provided on the left hand and right hand sides by manually controlled doors (RH door omitted with optional air conditioning).

Side panel structures are comprised basically of seamless, one-piece outer panels reinforced with vertical strainers and welded to roof rails at the top and to rocker panels at the bottom. Left hand side panel structures utilize three vertical strainers, with a fourth strainer added for 17-foot bodies. Right hand side panel structures, which are smaller because of the provision for the base side load door, are reinforced with one vertical strainer in 15-foot body applications and two strainers in 17-foot body applications. Two window openings are incorporated in the left hand side panel for all Sportvans/Rally, or for Chevy Vans/Vandura with RPO A07 body glass; one window is incorporated for Chevy Vans/Vandura with RPO A17 body glass. The right hand side panel for Sportvan/Rally models, or Chevy Van/Vandura with RPO A07 or A08 body glass, has one window. Provision is made at the rear of the left hand side panel for incorporation of a door to conceal the fuel tank filler.

Roof panels are of one-piece design and are embossed with six longitudinal stiffening ribs. Four roof bows support the 15-foot body roof panel, while five roof bows are used for the 17-foot body.

Special attention is given to corrosion prevention during the construction and final finishing of the body. The following body design features occur during the construction of the body:

1. Use of special steel (galvanized, zinc iron alloy, zinc coated) for body components especially subject to corrosion.
2. Use of one-piece outer panels to minimize exterior joints where corrosion might occur.
3. Use of heavy-gage steel for main underbody components.
4. Use of weld-through sealers in the assembly process to assure strong welds.

After body construction is completed, additional corrosion preventative steps are taken in the final finishing operation. The following occur:

1. The body, doors and hood are thoroughly cleaned by processing them through a 7-stage zinc phosphate washer.
2. Next, the body, doors and hood are primed by the Elpo electro-coating process which is the deposition of an electrically charged colloidal paint using an electric current. Electro-coating assures uniform application of primer even on surfaces normally inaccessible. In the process, the body, doors and hood are submerged in an emulsion of water and paint; the body, doors and hood and the emulsion are then oppositely charged, causing the paint to adhere to the metal.
3. Sealers are then applied to all critical interior-exterior joints.
4. Undercoating is sprayed on the undersurfaces of the wheel-housings, front door step panels and body rocker panels.
5. The body, doors and hood are painted with enamel.
6. A sealer pad is installed on the top surface of the floor panel at the left hand side, and is bonded to the floor panel as the body bakes in the topcoat oven.
7. The lower inside surfaces of the doors and rocker panels are sprayed with aluminum wax preservative.
8. A protective coating is applied to the front door hinge pins.
9. Finally, an anti-chip coating is added which extends from the rear of the front wheel openings to the rear door openings to prevent stone chipping.

CHEVY VAN/VANDURA

INTERIOR AND EXTERIOR COLOR AVAILABILITY CHART

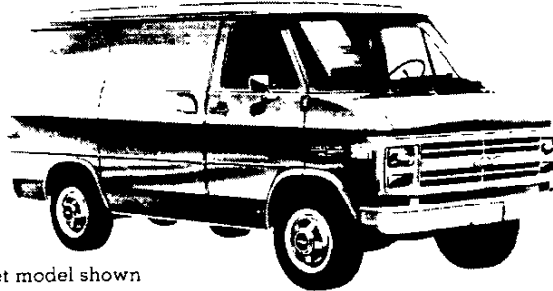
Please Note: Below are the interior trim color and exterior paint combinations recommended by Chevrolet/GMC. The only available color code 1/color code 2 exterior color combinations are those shown in the chart below; however, any available interior trim color may be ordered with one of these exterior color combinations if the particular combination is desired by the customer.

INTERIOR COLORS			Black	Blue	Burgundy	Saddle Tan	Slate Gray
STANDARD MODEL (Two Seats w/A57)							
Vinyl Driver Seat				VDD2		VSS2	
Vinyl High Back Bucket Driver Seat				VDD4		VSS4	
Custom Vinyl High Back Bucket Seat			XBB4	XDD4	XEE4	XSS4	XTT4
EXTERIOR COLORS w/ZY1, ZY3 or ZY4 PAINT	Color Code 1	Color Code 2	RECOMMENDED INTERIOR TRIM COLORS				
BLUE, LIGHT (Metallic)	21	21		X			X
Blue, Galaxy (Metallic)	21	28		X			
White, Frost	21	12		X			
BLUE, GALAXY (Metallic)	28	28		X			X
Gray, Steel (Metallic)	28	90		X			X
White, Frost	28	12		X			
BRONZE, INDIAN (Metallic)	66	66				X	
BURGUNDY (Metallic)	78	78			X		
Gray, Steel (Metallic)	78	90			X		X
Tan, Doeskin	78	61			X		
White, Frost	78	12			X		
COPPER, CANYON (Metallic)	55	55				X	
Tan, Doeskin	55	61				X	
White, Frost	55	12				X	
GOLD, NEVADA (Metallic)	67	67				X	
Tan, Doeskin	67	61				X	
White, Frost	67	12				X	
GRAY, STEEL (Metallic)	90	90	X	X	X		X
Blue, Galaxy (Metallic)	90	28		X			
Red, Apple	90	72			X		X
White, Frost	90	12					X
RED, APPLE	72	72			X	X	
Gray, Steel (Metallic)	72	90			X		
Tan, Doeskin	72	61			X	X	
White, Frost	72	12			X		
TAN, DOESKIN	61	61				X	
White, Frost	61	12				X	
WHITE, FROST	12	12	X	X	X	X	X
Blue, Galaxy (Metallic)	12	28		X			
Gray, Steel (Metallic)	12	90					X
Red, Apple	12	72			X		X
Tan, Doeskin	12	61				X	

CHEVY VAN/VANDURA

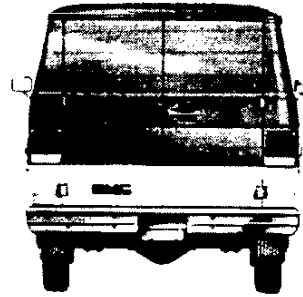
SOLID AND TWO-TONE* EXTERIOR COLOR COMBINATIONS

The application of paint for solid and two-tone exterior color combinations is shown below.



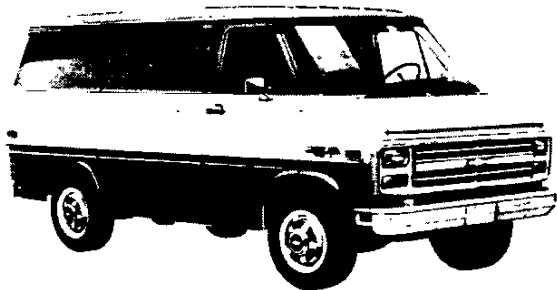
Chevrolet model shown
(GMC model available)

Solid color (ZY1) is standard on all models. All painted areas of the body are the same color.



GMC model shown (Chevrolet model available)

Special two-tone (ZY3) paint colors include black body side and rear moldings with bright trim plus bright tail light trim. Color code 1 is applied to the areas above the moldings. Color code 2 is applied to the areas below the moldings.



Chevrolet model shown (GMC model available)

Deluxe two-tone (ZY4) paint colors include black body side and rear moldings with bright trim plus bright tail light trim. Color code 1 is applied to the areas above the belt line styling crease line and below the moldings. Color code 2 is applied to the areas between the belt line styling crease line and the moldings.

*Optional at extra cost.