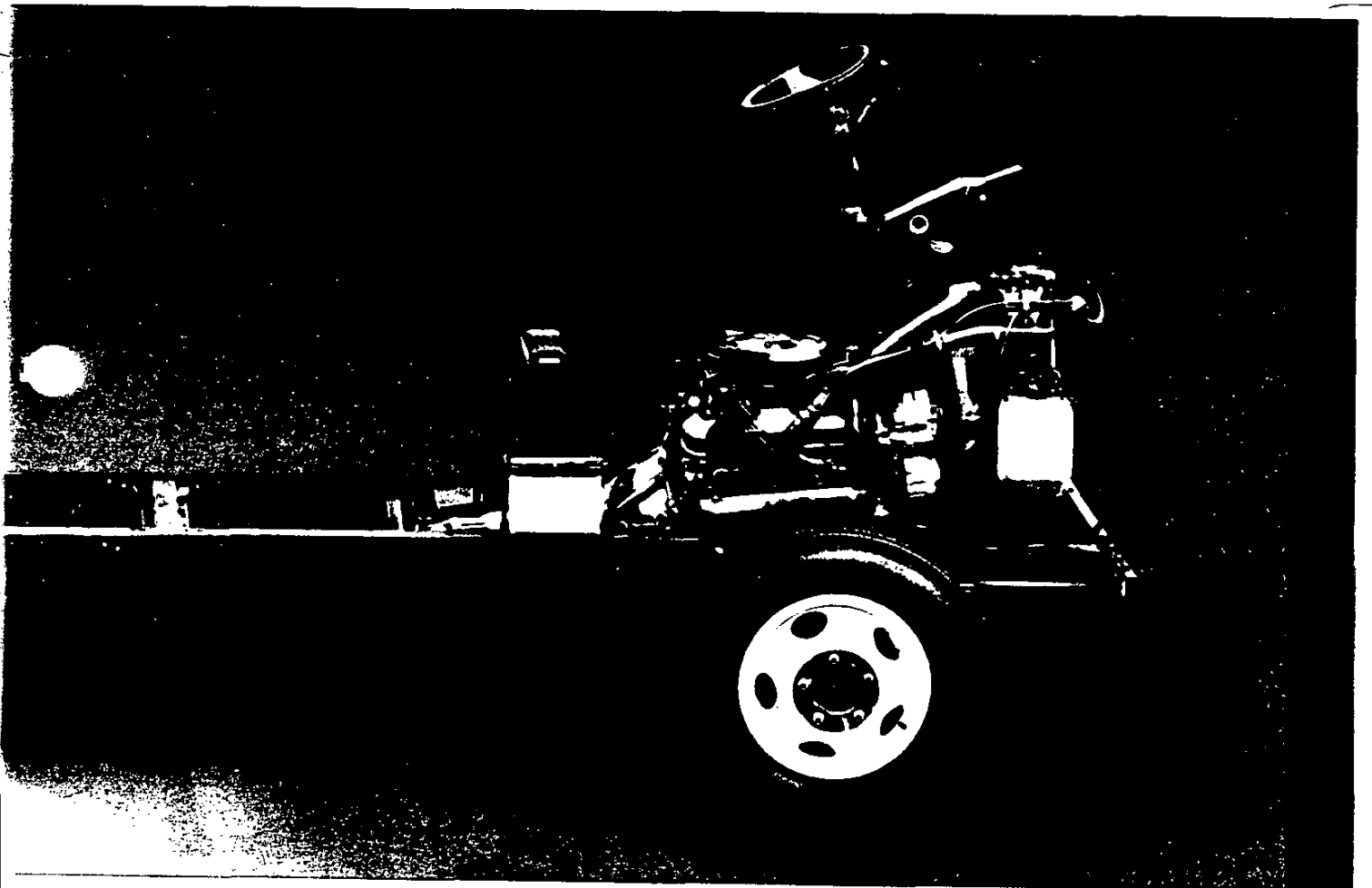
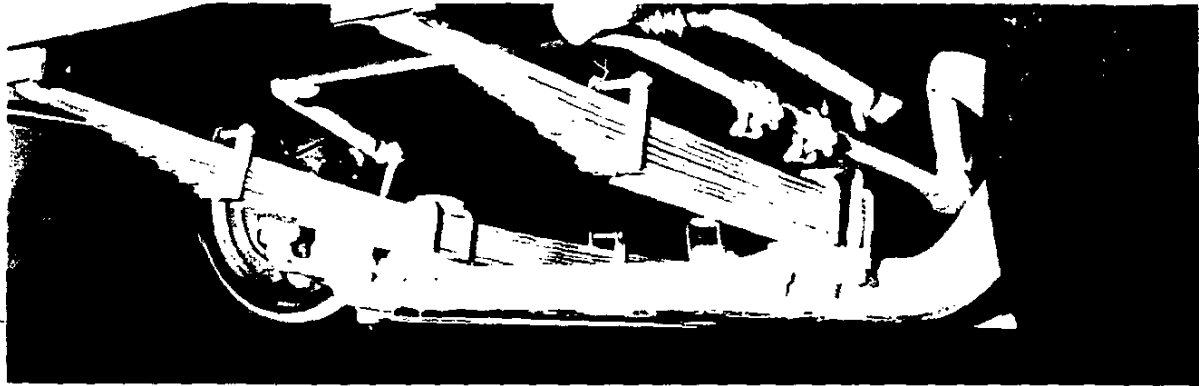


MOTOR HOME CHASSIS

ORIGINAL



MOTOR HOME CHASSIS



ENGINE VALUE FEATURES

Note: For 1987, all gas engines in models with GVWRs from 10,001 to 14,000 lbs. will be certified using carryover 1986 heavy-duty emissions test procedure. These engines will have a carburetor. Through a special 5% exemption, Motor Home Chassis P31132 and P31432 at 12,300 lbs. GVWR and the 7.4 Liter V8 engine, RPO LE8, will be available. Models with GVWRs 14,000 lbs. and above will be certified using the heavy-duty emissions test procedure for over 14,000 lbs. GVWR and they will be available throughout the model year.

FRONT SUSPENSION APPLICATIONS

Models	Suspension Type	Front-Axle Capacity	Front-Spring Capacity	Rear Axle	GVW
P30	Independent	4300	5000	7900	10,500
Motor Home	Independent	5000	5000	7900	11,000
	Independent	4300	5000	7900	11,800
	Independent	5000	5000	7900	12,300
	I-Beam	5000	5000	7900	12,300
	I-Beam	5000	5000	10,000	14,500
	Independent	5000	5000	10,000	14,500

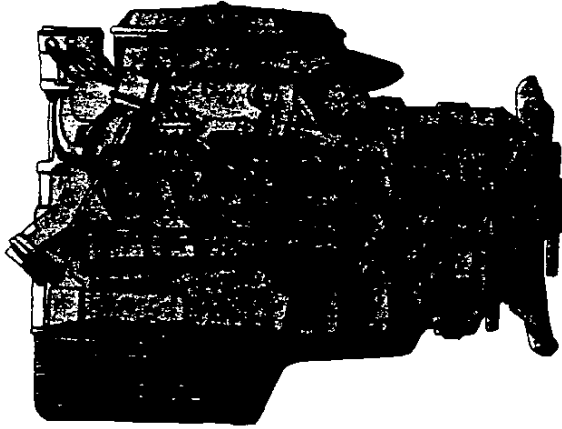
OPTIONS

5,000-lb. I-beam front axle, RPO FS3, available for Motor Home Chassis models with 12,300- or 14,500-lb. GVWR.

P60 CHASSIS ALSO AVAILABLE

GVW Ratings up to 18,000 lbs. Refer to the Chevrolet Medium-Duty Truck Data Book for details.

MOTOR HOME CHASSIS



74 LITER (454 CU. IN.) V8 ENGINE

Available for big loads and heavy towing. Standard on 137", 158.5" and 178"-wheelbase models. This high-torque 454 V8 with a 4-barrel carburetor operates on regular-grade gasoline. Camshaft is designed for added efficiency.

Engine Specifications

Type	V8 OHV
Displacement	74L (454 Cu. In.)
Bore and Stroke	4.25 x 4.00 in.
SAE Net Horsepower	230 @ 3600 RPM
SAE Net Torque (lb-ft)	370 @ 2800 RPM
Compression Ratio	7.9 to 1

6.2 LITER (379 CU. IN.) V8 DIESEL ENGINE

- Horsepower—148 net.
- Integral fuel/water separator.
- Four-cycle design.
- Proven Ricardo Comet pre-combustion chamber for high efficiency, reduced noise and effective emissions control.
- 17-bolt head design for efficient gasket retention (locates 5 head bolts around each cylinder bore).
- 4-bolt main bearing caps help provide rigid support for the crankshaft.
- 5 main bearings.
- Available on 137" and 158.5"-wheelbase models.

Engine Specifications

Type	V8 OHV
Displacement	6.2L (379 Cu. In.)
Bore and Stroke	3.98 x 3.82 in.
SAE Net Horsepower LL4	148 @ 3600 RPM
SAE Net Torque (lb-ft) LL4	246 @ 2000 RPM*
Compression Ratio	21.3 to 1

*Engine with Heavy-Duty Emissions (w/GVWR over 8500 lb)

- Nodular iron crankshaft with external torsional damper for reduced vibration.
- Forged steel camshaft durability.
- Roller cam followers are incorporated with the hydraulic valve lifters for reduced wear.
- Tough cast-iron alloy cylinder block.
- Cast-aluminum alloy pistons with three rings.
- Forged, heat-treated steel connecting rods.
- Cylinder heads with swirl-design combustion prechamber, cast-iron construction and hardened valve seats.
- Silicon steel intake valves.
- Exhaust valves with stellite facings and positive valve rotators.
- Polywrap air cleaner.
- Camshaft-driven mechanical fuel injection pump with high-pressure steel tubing fuel lines.
- Seven-quart oil sump.
- Engine block heater to aid cold-weather starting.

MOTOR HOME CHASSIS VALUE FEATURES

TRANSMISSIONS

- Heavy-duty 3-speed automatic transmission for convenience and smoothness.
- Heavy-duty transmission oil cooler standard. Integral with radiator.

STEERING

- Standard integral power steering provides easy steering effort.
- Comfortilt steering wheel adjusts to six positions. Standard.

FRONT SUSPENSION

- Rugged girder beam independent front suspension with air-assisted coil springs.
- Wheels step-over tough spots individually to help smooth the ride.
- Front stabilizer bar standard.

REAR SUSPENSION

- Heavy-duty two-stage rear leaf springs automatically adapt to changes in load.
- Rear stabilizer bar standard.
- Dual rear wheels on all models.

BRAKES

- Self-adjusting power front disc/rear drum brakes standard on 137"- and 158.8"-wheelbase models.
- Power-assisted 4-wheel disc brakes standard on 178"-wheelbase models. Required on 158.8"-wheelbase models with a 14,500-lb. GVW Rating.

ELECTRICAL

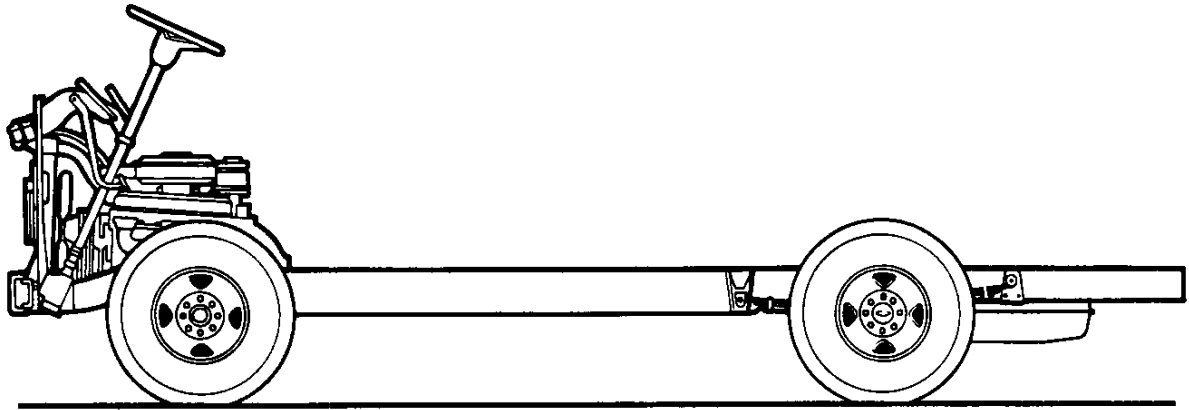
- Heavy-duty Delco Freedom II battery. (Dual batteries with diesel engine.)
- Delcotron generator capacities have been increased for all gas engine applications. The capacity increases from 66 amps to 105 amps with the 7.4 Liter V8. Diesel engine models retain a 66-amp alternator.

OTHER FEATURES

- Steel-belted radial ply tires standard on all models for long life and improved handling.
- Aluminized dual exhaust system on all models for corrosion protection.
- 40-gallon fuel tank standard.

MOTOR HOME CHASSIS

MOTOR HOME CHASSIS MODEL SELECTOR



SERIES	MODEL NUMBER			BODY ORDERING CODE	
	137" WB	158.5" WB	178" WB	GASOLINE MODELS	DIESEL MODELS
P30/3500	P31132	P31432	*P31832	ZW9	ZW9/B3J

*178" WB P31832 model not available with diesel engine.

Note: Motor Home Chassis are for recreational vehicle use only and are not to be used for the mounting of any type commercial body.

GASOLINE

MOTOR HOME CHASSIS

STANDARD SPECIFICATIONS

(See Gray Tab Section for Specification Details) *

Model	P31132, P31432	P31832
Engine	7.4 Liter 454 4-bbl. V8	
Air Filter	Polyurethane-wrapped Oiled-paper	
Oil Filter	Throwaway Type	
Oil Cooler	Standard	
Exhaust System	*Dual; Stainless Steel	
Emission Control Systems	See Engine & Cooling Section for specific model applications	
Suspension, Front	Independent	
Type	Coil Springs with Auxiliary Air Springs	
Capacity	4300 lb.	5000 lb.
Springs @ Ground	2500 lb. ea.	
Shock Absorbers	35mm dia.	
Stabilizer Bar	1.25" dia.	
Suspension, Rear	Salisbury Axle, Hypoid Drive; Two-stage Multi-leaf Springs	
Axle Capacity	7900 lb.	10,000 lb.
Axle Ratio	4.10	4.56
Springs @ Ground	3100 lb. ea.	5000 lb. ea.
Shock Absorbers	32mm dia.	35mm dia.
Stabilizer Bar	1.75" dia.	1.75" dia.
Brakes	Hydraulic; Self-adjusting	
Front	Disc; 12.5" Rotor	Disc; 14.25" Rotor
Rear	Drum; 13" x 3.5"	Disc; 13.75" Rotor
Booster	Hydraulic Power	Hydraulic Power
Parking	Cable to Rear Wheels	Prop Shaft
Electrical	12 Volt; Negative Ground	
Battery - Freedom Type	630 CCA♦ @ 0°F.	
- Reserve Capacity	115 min. @ 80°F.	
Delcotron Generator	105 amp.	
Frame	Carbon Steel; 36,-39,000 psi	
Section Modulus	137" WB - 5.26	6.12
	158.5" WB - 6.12	
Fuel Tank (nominal capacity)	40 gal.	
Permanent	5 qt.	
Temporary		
Steering Gear Type	Integral Power	
Steering Wheel	Comfortilt	
Transmission	3-Speed Automatic	
Shift Location	Steering Column	
Oil Cooler	Standard; Integral with Radiator	
Tires	Tubeless	
Front	(2) LT215/85R16D (8PR)	(2) 8-19.5D (8PR)
Rear	(4) LT215/85R16C (6PR) (Dual)	(4) 8-19.5D (8PR) (Dual)
Wheels	(6) 16" x 6"	(6) 19.5" x 6.0"

Note: Motor Home Chassis are for recreational vehicle use only and are not to be used for the mounting of any type commercial body.

♦CCA-Cold Cranking Amps

*Dual: Aluminized for California

MOTOR HOME CHASSIS

STANDARD SPECIFICATIONS

DIESEL

(See Gray Tab Section for Specification Details)

Model▲	P31132, P31432
Engine Air Filter Oil Filter Oil Cooler Exhaust System Emission Control Systems	6.2 Liter 379 Cu. In. V8 Diesel Poly-wrapped Oiled-paper Element Throwing Type Standard Dual; Aluminized See Engine & Cooling Section for specific model applications
Suspension, Front Type Capacity Springs @ Ground Shock Absorbers Stabilizer Bar	Independent Coil Springs with Auxiliary Air Springs 4300 lb. 2500 lb. ea. 35mm dia. 1.25" dia.
Suspension, Rear Axle Capacity Axle Ratio Springs @ Ground Shock Absorbers Stabilizer Bar	Salisbury Axle, Hypoid Drive; Two-stage Multi-leaf Springs 7900 lb. 4.10 3100 lb. ea. 32mm dia. 1.75" dia.
Brakes Front Rear Booster Parking	Hydraulic; Self-adjusting Disc; 12.5" Rotor Drum; 13" x 3.5" Hydraulic Power Cable to Rear Wheels
Electrical Battery - Freedom Type - Reserve Capacity Delcotron Generator Engine Block Heater	12 Volt; Negative Ground Two; 540 CCA♦ ea. @ 0°F. 115 min. ea. @ 80°F. 66 amp. 600 watts, 120 volts
Frame Section Modulus	Carbon Steel; 36,39,000 psi 125", 137" WB-5.26 158.5" WB-6.12
Fuel Tank (nominal capacity) Permanent Temporary	40 gal. 5 qt.
Steering Gear Type Steering Wheel	Integral Power Comfortilt
Transmission Shift Location Oil Cooler	3-Speed Automatic Steering Column Standard; Integral with Radiator
Tires Front Rear	Tubeless (2) LT215/85R16D (8PR) (4) LT215/85R16C (6PR) (Dual)
Wheels	(6) 16" x 6"

Note: Motor Home Chassis are for recreational vehicle use only and are not to be used for the mounting of any type commercial body.

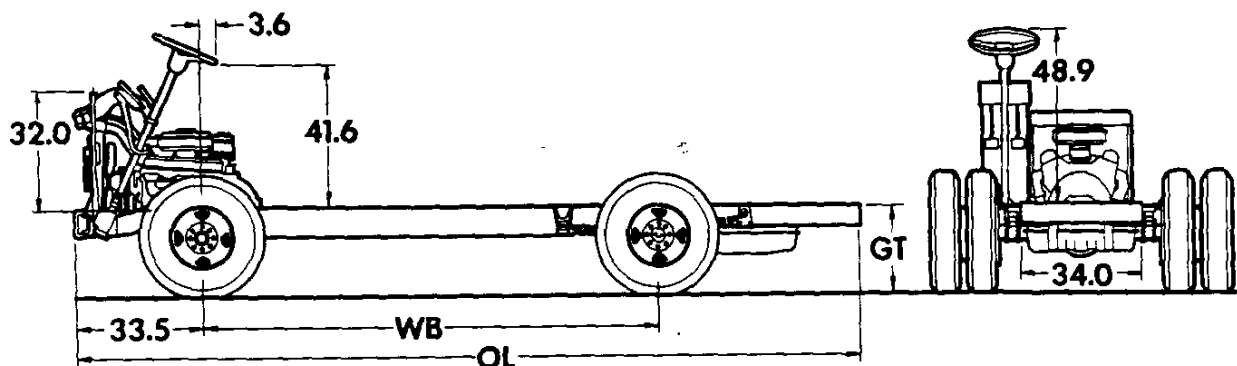
▲Model P31832 not available with diesel engine

♦CCA-Cold Cranking Amps

GASOLINE

MOTOR HOME CHASSIS

Body Ordering Code—ZW9



Model	Engine No. Cyl.	Body Length (ft)	Dimensions (in)★			Curb Weights (lb)†			Ground Clearance (in)★	
			WB	OL	GT	Front	Rear	Total	Front	Rear
P31132	8	21-23	137	234.3	27.9	2294	1694	3988	10.2	7.9
P31432	8	24-26	158.5	259.4	27.9	2394	1726	4120	10.2	7.9
P31832	8	26-28	178	317.3	30.6	2558	2067	4625	12.1	9.7

Note: Motor Home Chassis are for recreational vehicle use only and are not to be used for the mounting of any type commercial body.

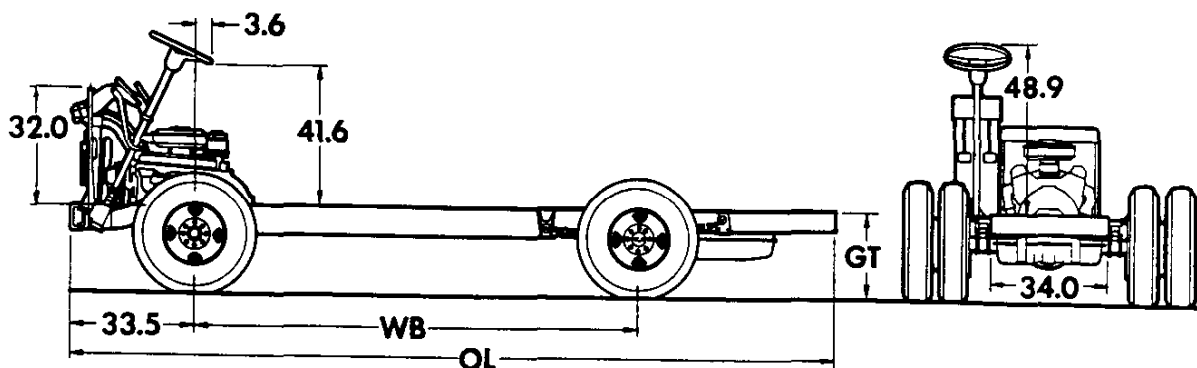
★Dimensions with standard equipment, unloaded.

†Total Curb Weight may vary as much as ± 50 lbs. to allow for production build variation.

MOTOR HOME CHASSIS

DIESEL

Body Ordering Code—ZW9/B3J.



Model	Engine No. Cyl.	Body Length (ft)	Dimensions (in)★			Curb Weights (lb)†			Ground Clearance (in)★	
			WB	OL	GT	Front	Rear	Total	Front	Rear
P31132	8	21-23	137	234.3	27.9	2305	1734	4039	10.2	7.9
P31432	8	24-26	158.5	259.4	27.9	2404	1767	4171	10.2	7.9

Note: Motor Home Chassis are for recreational vehicle use only and are not to be used for the mounting of any type commercial body.

★Dimensions with standard equipment, unloaded.

†Total Curb Weight may vary as much as ± 50 lbs. to allow for production build variation.

MOTOR HOME CHASSIS

POWER TEAMS

ALL STATES

POWER TEAMS (MUST ORDER ENGINE, TRANSMISSION AND REAR AXLE)

(Consult GVWR Selector and Tire Chart to insure tire capacity and availability)

W/NA5 STANDARD (Satisfies High Altitude Emission Requirements)
W/NA6 HIGH ALTITUDE OR YF5 CALIFORNIA EMISSIONS

ENGINE	TRANSMISSION	AXLES				GVWR	
		AUTO	*4.10	4.56	4.88		5.13
P31132-31432 W/O 7.50-16/D (PE) Tires							
#LE8 V8 7.4 Liter (454-488L)	MX1		*GQ1	—	—	—	10500
	MX1		*GQ1	—	—	—	11800
	MX1		—	*HF7	*HF8	—	%14500
■ LL4 Diesel 6.2 Liter V8 (379 Cu. In.)(Reqs B3J)	MX1		*GQ1	—	—	—	10500
	MX1		*GQ1	—	—	—	11800
	MX1		—	—	—	*HC7	%14500
P31132-31432 W/7.50-16/D (PE) Tires							
#LE8 V8 7.4 Liter (454-488L)	MX1		*GQ1	HC4	—	—	10500
	MX1		*GQ1	HC4	—	—	11000
	MX1		*GQ1	HC4	—	—	11800
	MX1		*GQ1	HC4	—	—	12300
■ LL4 Diesel 6.2 Liter V8 (379 Cu. In.)(Reqs B3J)	MX1		—	GQ1	—	—	10500
	MX1		—	GQ1	—	—	11000
	MX1		—	GQ1	—	—	11800
	MX1		—	GQ1	—	—	12300
P31832							
#LE8 V8 7.4 Liter (454-488L)	MX1		—	GQ1	HF8	—	14500

*N/A G80 Locking Differential

%CP31432 only

#N/A NA6 High Altitude Emissions. With NA5 Emissions
Satisfies High Altitude Requirements

■ High Altitude Emission Equipment (FOR EXHAUST SMOKE REDUCTION PURPOSES
AT HIGH ALTITUDE; NOT REQUIRED TO SATISFY HIGH ALTITUDE EMISSION REGULATIONS).

MOTOR HOME CHASSIS

GVWR SELECTOR—ALL STATES .

GVW Rating (lbs)	†GAWR (lbs)		Minimum Equipment Required for GVW Rating		
			Tire Capacity (lbs ea)		Chassis Equipment
	Front	Rear	Front	Rear	
125", 137", 158.5" WB Models					
10,500	4300	6200	2315	1764	Standard
11,000	4880	6200	2440	2140	HD Front Suspension (F66)
11,800	4300	7500	2315	2105	HD Rear Springs (G50)
12,300	4880	7500	2440	2140	HD Front Suspension (F66), HD Rear Springs (G50)
12,300	4880	7500	2440	2140	I-Beam Front Axle (FS3); HD Rear Springs (G50)
●14,500	5000	9840	2800	2460	10,000-lb Rear Axle (HC7/HF7/HF8)
178" WB Model					
14,500	5000	9840	2800	2460	Standard

Note: Motor Home Chassis are for recreational vehicle use only and are not to be used for the mounting of any type commercial body.
 †GAWR's shown are the maximum for each axle with equipment listed. Other GAWR's are available, and they are determined as the minimum capacity of either axle, springs or tires.

● Available on 158.5" WB model only.

FRONT AND REAR TIRE AVAILABILITY CHART—ALL STATES

Spare tire to match either front or rear tires available at extra cost

Description	Capacity (lbs each)		Highway		Spare
	Front	Dual Rear	Front	Dual Rear	
137", 158.5" WB Models					
TUBELESS					
LT215/85R16D Steel Belted Radial	2315	2105	XYK	YYK	ZYK
LT215/85R16C Steel Belted Radial	—	1764	—	YYJ	ZYK
158.5", 178" WB Models					
TUBELESS					
*8-19.5D Polyester	2800	2460	XSN	YSN	ZSN
137", 158.5" WB Models					
TUBE-TYPE					
7.50-16D Polyester	2440	2140	XPE	YPE	ZPE

*Requires 10,000 lb. rear axle (HC7, HF7 or HF8) on 158.5" WB model.

ENGINE RATINGS

ALL STATES

SAE Net Ratings	7.4 Liter 454 4-bbl V8	6.2 Liter 379 V8 Diesel
Net Horsepower	230 @ 3800 rpm	148 @ 3600 rpm
Net Torque, lb-ft	†370 @ 3200 rpm	246 @ 2000 rpm

**Engines with Heavy-Duty Emissions.

†360 @ 2800 rpm for California

MOTOR HOME CHASSIS

THE FOLLOWING EQUIPMENT IS STANDARD ON DIESEL ENGINE MODELS (ALSO SEE STANDARD SPECIFICATIONS PAGES)

- Low Coolant Sensor
- Poly-wrapped Paper Element Air Cleaner
- Power Steering
- Engine Block Heater (600 watts, 120 volts)
- Water/fuel separator unit which incorporates a water sensor and sending unit, a fuel filter, a fuel heater and water drain capability
- Dual 540 Cold Cranking Amp/115 min. Reserve Capacity Batteries
- HD Radiator
- Dual Exhaust System
- Warning Lights: Glow Plugs, Water-in-fuel (or fuel filter), and Low Coolant
- Diesel Engine Identification:
 - Nameplates
 - “Diesel Fuel Only” filler cap and label

MOTOR HOME CHASSIS (10,500-lb - 14,500-lb GVW)

1987 VEHICLES WITH STANDARD EQUIPMENT

Prices shown are effective with initial shipments of 1987 model motor vehicles

Description	Model Number	Body Code	Wheel Base	Factory D&H(a)	List Price	Mfr's Suggested Retail Price*	Group Number
8 Cylinder 7.4 Liter (454 Cu. In.) 4 BBL V8 Gasoline Engine-Engine Ordering Code LE8							
Motor Home Chassis	CP31132	ZW9	137"	.10	10908.00	10908.10	17
Motor Home Chassis	CP31432	ZW9	158.5"	.10	11071.00	11071.10	17
Motor Home Chassis	CP31832	ZW9	178"	5.94	12589.00	12594.94	17
8-Cylinder 6.2 Liter (379 Cu. In.) H.D. Diesel V8 Engine-Engine Ordering Code LL4							
Motor Home Chassis	CP31132	ZW9 & B3J	137"	.10	12054.00	12054.10	17
Motor Home Chassis	CP31432	ZW9 & B3J	158.5"	.10	12215.00	12215.10	17

* Manufacturer's Suggested Retail Prices do not include applicable destination charges, state and local taxes, license fees, optional equipment or special items or services.

◆ Refer to Power Team Chart for California Emission Certification Requirements.

OPTIONS WHEN INSTALLED BY GENERAL MOTORS

Prices shown effective with initial shipments of 1987 model motor vehicles

Description	Option Number	Factory D&H(a)	List Price	Mfr's Suggested Retail Price◇
Emission Systems: Dealer Note - One of the following emission options must be specified.				
<i>California Emission Requirements:</i> Includes all testing, equipment and/or certification necessary for registration in the State of California. See Power Teams Chart for availability and complete specifications.				
Without B3J Diesel Equipment	YF5	N.A.	(-235.00)	(-235.00)
With B3J Diesel Equipment	YF5	N.A.	99.00	99.00
<i>High Altitude Emission Equipment.</i> Available only when B3J Diesel Equipment is specified. Not available when YF5 California or NA5 Standard Emissions is specified.				
Standard Emissions Equipment. Not available when YF5 California or NA6 High Altitude Emissions is specified	NA6		NO ADDITIONAL CHARGE	
	NA5		NO ADDITIONAL CHARGE	
Engines: (See Power Teams Chart for availability and complete specifications)				
Gasoline.				
7.4 Liter (454 Cu. In.) 4 BBL V8.	LE8		NO ADDITIONAL CHARGE	
Diesel				
6.2 Liter (379 Cu. In.) H.D. V8 Diesel. Available only when B3J Diesel Equipment is specified. Not available on P31832	LL4		NO ADDITIONAL CHARGE	
Transmission: 3-Speed Automatic	MX1		NO ADDITIONAL CHARGE	
Axle, Front: I-Beam. 5000-lb Capacity. Not available when LT215 tires or F86 H.D. Positrim Suspension is specified. Includes front leaf springs with tip liners and special shock absorbers				
Without HC7, HF7 or HF8 Axle. Available only when G50 H.D. Rear Springs are specified	FS3	N.A.	1109.00	1109.00
With HC7, HF7 or HF8 Axle	FS3	N.A.	899.00	899.00
Axles, Rear: (See Power Teams Chart for option number selection, availability and complete specifications)				
Optional Ratio.				
Capacity 10,000-lb. Heavy Duty. P31432 available only when SN 8-19.5 Tires are specified. Not available on P31132. Includes H.D. power 4-wheel disc brakes, 10,000-lb capacity rear springs and propeller shaft mounted parking brake.		N.A.	38.00	38.00
4.58 Ratio. Standard on 178" wheelbase. Not available when B3J Diesel Equipment is specified				
4.88 Ratio. Not available when B3J Diesel Equipment is specified.	HF7	N.A.	1588.00	1588.00
Without FS3 5000-lb I-Beam Capacity Suspension. Includes 5000-lb Capacity Positrim Suspension				
158.5" wheelbase only	HF8	N.A.	1588.00	1588.00
178" wheelbase only	HF8	N.A.	38.00	38.00
5.13 Ratio. P31432 only. Available only when B3J Diesel Equipment is specified.				
Locking Differential. Not available on 178" wheelbase	HC7	N.A.	1588.00	1588.00
	G80	N.A.	252.00	252.00

(a) D & H Charges on vehicle and optional equipment include reimbursement to ordering Division for any tax that it has paid, incurred or agreed to pay thereon.

◇ State and local taxes not included.

MOTOR HOME CHASSIS

OPTIONS WHEN INSTALLED BY GENERAL MOTORS

Prices shown effective with initial shipments of 1987 model motor vehicles

Description	Option Number	Factory D&H(a)	List Price	Mfr's Suggested Retail Price ◊
Tires:				
TUBELESS P31132 or P31432 only. All rim sizes are 6.00"				
LT215/85R16-C Steel Belted Highway Radial Blackwall (Maximum Capacity Each, Dual Rear 1764-lbs)				
Rear. (Standard)	YYJ		NO ADDITIONAL CHARGE	
LT215/85R16-D Steel Belted Highway Radial Blackwall (Maximum Capacity Each, Front 2315-lbs) (Dual Rear 2105-lbs)				
Front. (Standard)	XYK		NO ADDITIONAL CHARGE	
Rear	YYK	.20	68.00	68.20
Spare	ZYK	.05	320.00	320.05
TUBELESS. P31432 or P31832 only. All 8-19.5 tires on P31432 available only when HC7, HF7 or HF8 10,000-lb Rear Axle is specified.				
8-19.5/D Highway Polyester Blackwall (Maximum Capacity Each, Front 2800-lbs) (Dual Rear 2460-lbs)				
Front				
P31432 only	XSN	1.88	(-84.00)	(-82.12)
P31832 only. (Standard)	XSN		NO ADDITIONAL CHARGE	
Rear				
P31432 only	YSN	3.96	(-100.00)	(-96.04)
P31832 only. (Standard)	YSN		NO ADDITIONAL CHARGE	
Spare	ZSN	.99	278.00	278.99
TUBE-TYPE. P31132 or P31432. 7.50-16/D Highway Polyester Blackwall (Maximum Capacity Each, Front 2440-lbs) (Dual Rear 2140-lbs)				
Front	XPE	(-.10)	(-172.00)	(-172.10)
Rear	YPE	N.C.	(-278.00)	(-278.00)
Spare	ZPE	N.C.	234.00	234.00

OTHER OPTIONS

Heater, Engine Block: 600 watts, 120 volts. Not available when B3J Diesel Equipment is specified	K05	N.A.	33.00	33.00
Preliminary Price Information	B3W	N.A.	N.A.	N.A.
Springs: Rear, Heavy-Duty. Capacity 3750-lb each. Available only when YK LT215/85R16D or PE 7.50-16 Rear Tires are specified. Not available on 178" wheelbase or when HC7, HF7 or HF8 10,000-lb Rear Axle is specified	G50	N.A.	62.00	62.00
Suspension: Positrim. Front, Heavy-Duty. Available only when PE 7.50-16 Tires are specified. Not available on 178" wheelbase or when HC7, HF7 or HF8 10,000-lb Rear Axle or FS3 5000-lb I-Beam Suspension is specified.	F86	N.A.	524.00	524.00
Tank, Fuel: 60 gallon capacity. P31432 and P31832 only	NN4	N.A.	238.00	238.00
Wheel, Spare: 19.5" x 6.00". P31432 or P31832 only. Available only when SN 8-19.5/D Tires are specified	Q34	N.A.	77.00	77.00

(a) D & H Charges on vehicle and optional equipment include reimbursement to ordering Division for any tax that it has paid, incurred or agreed to pay thereon.

◊ State and local taxes not included.

MOTOR HOME CHASSIS

CHASSIS FEATURES

MOTOR HOME CHASSIS

EXTERIOR FEATURES—STANDARD MODELS

The Standard models include the following items as standard equipment.

- **Color:** Chassis and components painted black
- **Emblem:** Bright Chevrolet/GMC letters (furnished loose in parts box)
- **Front Frame Member:** Heavy channel reinforcement; painted black
- **Horn:** Single; low note; electric
- **Instruments:**
Gages: Speedometer, odometer, voltmeter, oil pressure, engine temperature and fuel
Switches: Main, for control of exterior lights and instrument lights; headlight beam (foot); ignition, direction signal with lane change position; and hazard warning
Warning lamps: service-parking brake, direction/hazard signal and high beam
NOTE: Ignition, direction signal, and hazard warning switches are installed; all other gages, switches and warning lamps are furnished loose in parts box
- **Lights:** (Furnished loose in parts box)
Combination parking/direction/hazard
Headlamps: Two, Power Beam
- **Steering Wheel:** Six-position Comfortilt type; 16" diameter; 2-spoke, black soft vinyl
- **Tilt Steering Column:** Lever adjusting control (Six-position)
- **Wheels:** Painted white

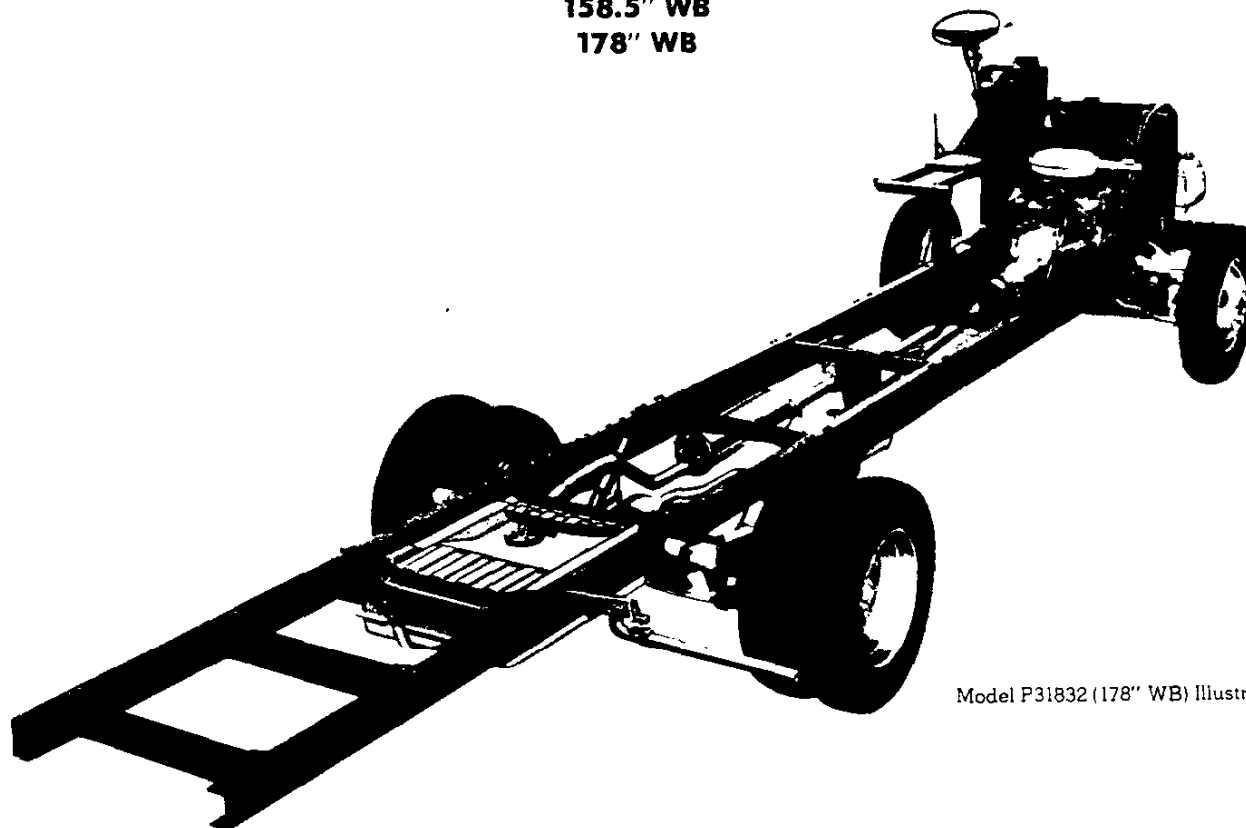
MOTOR HOME CHASSIS

125" WB

137" WB

158.5" WB

178" WB



Model P31832 (178" WB) Illustrated

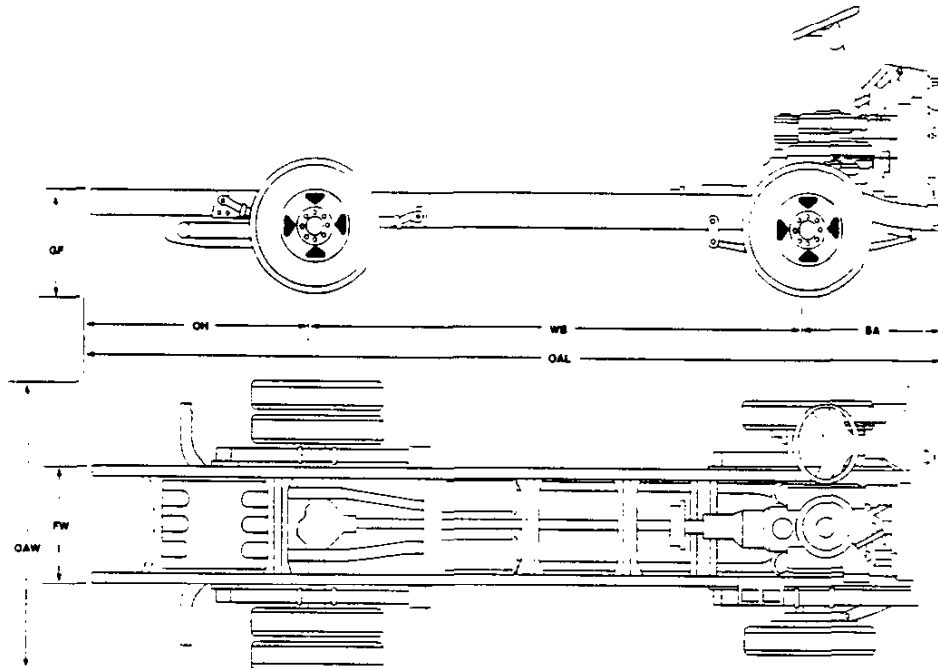
DIMENSIONS

1992
MOTOR HOME CHASSIS

MODEL		P30 MOTOR HOME CHASSIS (137-IN. WB)	P30 MOTOR HOME CHASSIS (158.5-IN. WB)	P30 MOTOR HOME CHASSIS (178-IN. WB)	P30 MOTOR HOME CHASSIS (190-IN. WB)	P30 MOTOR HOME CHASSIS (208-IN. WB)
MODEL NUMBER		CP31132/ZW9	CP31432/ZW9	CP31832/ZW9	CP31932/ZW9	CP32032/ZW9
EXTERIOR						
Wheelbase (in.)	WB	137.0	158.5	178.0	190.0	208.0
Overall Length (in.)	OAL	234.3	259.4	317.3	329.3	347.3
Bumper to Axle (in.) Front	BA	33.5	33.5	33.5	33.5	33.5
Rear Overhang	OH	63.8	67.4	105.8	105.8	105.8
Overall Width (in.)	OAW	85.0	85.0	85.0	85.0	85.0
Frame Width (in.)	FW	34	34	34	34	34
Ground to Top of Frame (in.)	GF	27.9	27.9	30.6	30.6	30.6
FUEL TANK						
Std./Opt. Tank Nominal (gal.)		40 ¹	40 ¹ /60	40/60/80	40/60/80	40/60/80
Location of Tank		Between Frame Rails Behind Rear Axle	Between Frame Rails Behind Rear Axle	Between Frame Rails Behind Rear Axle	Between Frame Rails Behind Rear Axle	Between Frame Rails Behind Rear Axle
Location of Filler		Left Rear ²	Left Rear ²	Left Rear ²	Left Rear ²	Left Rear ²

¹ 41 gallon tank standard with diesel engine.

² RH fill also available on 80-gallon tank.



1994
MOTOR HOME CHASSIS

OPTIONS

- KEY:** S - Standard
 O - Optional
 — Not Available
1. P30 MOTOR HOME CHASSIS 137-IN. WB (CP31132)
 2. P30 MOTOR HOME CHASSIS 158.5-IN. WB (CP31432)
 3. P30 MOTOR HOME CHASSIS 178-IN. WB (CP31832)
 4. P30 MOTOR HOME CHASSIS 190-IN. WB (CP31932)
 5. P30 MOTOR HOME CHASSIS 208-IN. WB (CP32032)

NOTE: Refer to Dealer Order Guide for updated option availability.

		MODELS				
		2-WHEEL DRIVE				
		1	2	3	4	5
OPTION	CODE	DESCRIPTION	RESTRICTIONS			
AIR CONDITIONING PROVISION DELETE	EN2		Reqs L19 Eng	O	O	O
ALTERNATOR	KW2	124 Amp	Reqs L19 Eng	O	O	O
AXLE, REAR Locking Differential	G80		N/A CP31132 Reqs 8-19.5 Tires	O	O	O
CHASSIS	F44	Heavy-Duty	Reqs YNP or YTN Tires	—	—	O
ENGINES		(See Powertrains)		S	S	S
7.4-liter V8 Gas	L19			O	O	—
6.2-liter V8 Diesel	LL4			O	O	O
HEADLAMPS, DUAL RECTANGULAR	HPR			O	O	O
HEATER	K05	Engine Block	N/A B3J Diesel Equipment	O	O	O
SPEED CONTROL Electronic	K34	Includes Intermittent Windshield Wipers	Requires L19 Engine	O	O	O
SPRING	G50	Rear, Heavy-Duty; Capacity 3750-lb each	11,800 or 12,300 GVWR Only	O	O	—
SUSPENSION	F66	Positrim Front: Heavy-Duty	Reqs 11,000- or 12,300 lb. GVWR	O	O	—
	F42	Front: Heavy Duty	Reqs. 14,800 GVWR N/A w/F44	—	O	O
TANK, FUEL	NN4	Approx 60-Gal Capacity	N/A CP31132	—	O	O
	NJ9	Approx 80-Gal Capacity		—	—	O
TIRES		(See Wheels and Tires for Details)		O	O	—
LT215/85R16C	YYJ			S	S	—
LT215/85R16D	XYK YYK ZYK			—	—	—
LT225/70R19.5F	XTN YTN ZTN			—	O	O
7.50-16IT/D	XEA YEA ZEA			O	O	—
8-19.5E	XSN YSN ZSN			—	O	O
8R-19.5D	XNP YNP ZNP			O	O	S
TRANSMISSIONS	MX0	4-Speed Automatic w/Overdrive		S	S	S
WHEEL, SPARE	Q34	19.5" x 6.0" Incl w/Spare Tire	Reqs YNP, YSN or YTN 8-19.5 Tires	—	O	O
WHEEL COLOR	41P	Black		O	O	O