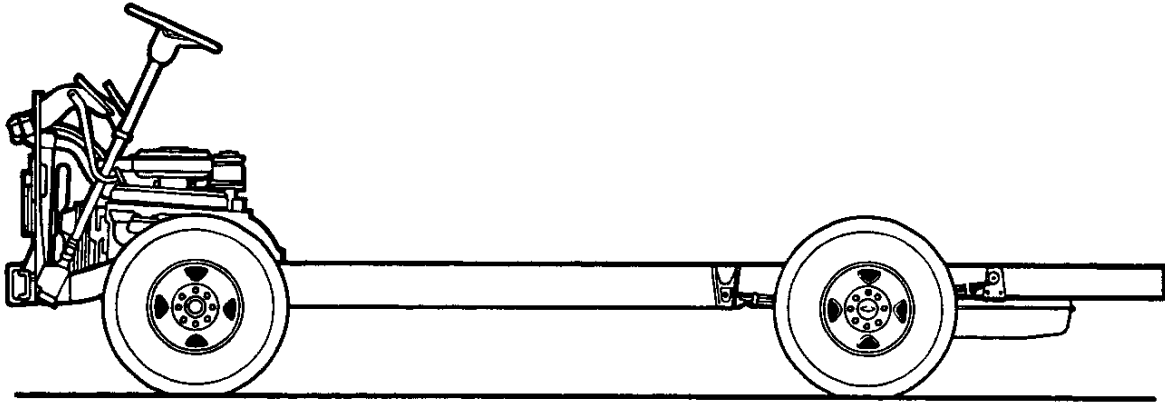




MOTOR HOME CHASSIS

MOTOR HOME CHASSIS MODEL SELECTOR



SERIES	MODEL NUMBER				BODY ORDERING CODE	
	137" WB	158.5" WB	178" WB	208" WB	GASOLINE MODELS	DIESEL MODELS
P30/3500	P31132	P31432	*P31832	*P32032	ZW9	ZW9/B3J

*178" WB P31832 and 208" WB P32032 models not available with diesel engine.

Note: Motor Home Chassis are for recreational vehicle use only and are not to be used for the mounting of any type commercial body.

GASOLINE

MOTOR HOME CHASSIS

STANDARD SPECIFICATIONS

(See Gray Tab Section for Specification Details)

Model	P31132, P31432	P31832, P32032
Engine	7.4 Liter 454 4-bbl. V8	
Air Filter	Polyurethane-wrapped Oiled-paper	
Oil Filter	Throwaway Type	
Oil Cooler	Standard	
Exhaust System	*Dual; Stainless Steel	
Emission Control Systems	See Engine & Cooling Section for specific model applications	
Suspension, Front	Independent	
Type	Coil Springs with Auxiliary Air Springs	
Capacity	4300 lb.	5000 lb.
Springs @ Ground	2500 lb. ea.	
Shock Absorbers	35mm dia.	
Stabilizer Bar	1.25" dia.	
Suspension, Rear	Salisbury Axle, Hypoid Drive; Two-stage Multi-leaf Springs	
Axle Capacity	7900 lb.	10,000 lb.
Axle Ratio	4.10	4.56
Springs @ Ground	3100 lb. ea.	5000 lb. ea.
Shock Absorbers	32mm dia.	35mm dia.
Stabilizer Bar	1.75" dia.	1.75" dia.
Brakes	Hydraulic; Self-adjusting	
Front	Disc; 12.5" Rotor	Disc; 14.25" Rotor
Rear	Drum; 13" x 3.5"	Disc; 13.75" Rotor
Booster	Hydraulic Power	Hydraulic Power
Parking	Cable to Rear Wheels	Prop Shaft
Electrical	12 Volt; Negative Ground	
Battery - Freedom Type	630 CCA♦ @ 0°F.	
- Reserve Capacity	115 min. @ 80°F.	
Delcotron Generator	120 amp.	
Frame	Carbon Steel; 36,-39,000 psi	
Section Modulus	137" WB-5.26	6.12
	158.5" WB-6.12	
Fuel Tank (nominal capacity)	40 gal.	
Permanent	5 qt.	
Temporary		
Steering Gear Type	Integral Power	
Steering Wheel	Comfortilt	
Transmission	3-Speed Automatic	
Shift Location	Steering Column	
Oil Cooler	Standard; Integral with Radiator	
Tires	Tubeless	
Front	(2) LT215/85R16D (8PR)	(2) 8-19.5D (8PR)
Rear	(4) LT215/85R16C (6PR) (Dual)	(4) 8-19.5D (8PR) (Dual)
Wheels	(6) 16" x 6"	(6) 19.5" x 6.0"

Note: Motor Home Chassis are for recreational vehicle use only and are not to be used for the mounting of any type commercial body.

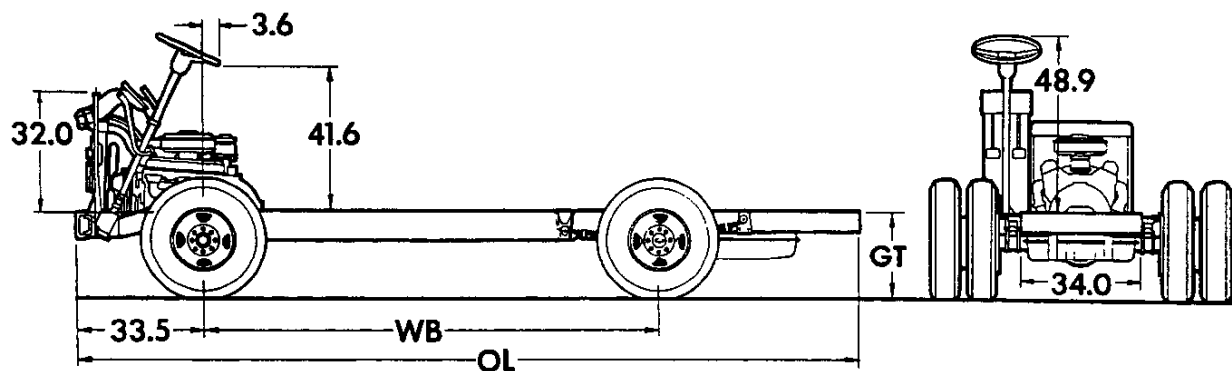
♦CCA-Cold Cranking Amps

*Dual; Aluminized for California

GASOLINE

MOTOR HOME CHASSIS

Body Ordering Code—ZW9



Model	Engine No. Cyl.	Body Length (ft)	Dimensions (in)★			Curb Weights (lb)†			Ground Clearance (in)★	
			WB	OL	GT	Front	Rear	Total	Front	Rear
P31132	8	21-23	137	234.3	27.9	2396	1393	3789	10.2	7.9
P31432	8	24-26	158.5	259.4	27.9	2463	1433	3896	10.2	7.9
P31832	8	26-28	178	317.3	30.6	2607	1801	4408	12.1	9.7
P32032	8	28-32	208	347.3	30.7	2545	1989	4534	12.1	9.7

Note: Motor Home Chassis are for recreational vehicle use only and are not to be used for the mounting of any type commercial body.

★Dimensions with standard equipment, unloaded.

†Total Curb Weight may vary as much as ± 50 lbs. to allow for production build variation.

MOTOR HOME CHASSIS

STANDARD SPECIFICATIONS

DIESEL

(See Gray Section for Specification Details)

Model	▲ P31132, P31432
Engine	6.2 Liter 379 Cu. In. V8 Diesel
Air Filter	Poly-wrapped Oiled-paper Element
Oil Filter	Throwaway Type
Oil Cooler	Standard
Exhaust System	Dual; Aluminized
Emission Control Systems	See Engine & Cooling Section for specific model applications
Suspension, Front	Independent
Type	Coil Springs with Auxiliary Air Springs
Capacity	4300 lb.
Springs @ Ground	2500 lb. ea.
Shock Absorbers	35mm dia.
Stabilizer Bar	1.25" dia.
Suspension, Rear	Salisbury Axle, Hypoid Drive; Two-stage Multi-leaf Springs
Axle Capacity	7900 lb.
Axle Ratio	4.10
Springs @ Ground	3100 lb. ea.
Shock Absorbers	32mm dia.
Stabilizer Bar	1.75" dia.
Brakes	Hydraulic; Self-adjusting
Front	Disc; 12.5" Rotor
Rear	Drum; 13" x 3.5"
Booster	Hydraulic Power
Parking	Cable to Rear Wheels
Electrical	12 Volt; Negative Ground
Battery – Freedom Type	Two; 540 CCA♦ ea. @ 0°F.
– Reserve Capacity	115 min. ea. @ 80°F.
Delcotron Generator	66 amp.
Engine Block Heater	600 watts, 120 volts
Frame	Carbon Steel; 36,39,000 psi
Section Modulus	125", 137" WB—5.26 158.5" WB—6.12
Fuel Tank (nominal capacity)	
Permanent	40 gal.
Temporary	5 qt.
Steering Gear Type	Integral Power
Steering Wheel	Comfortilt
Transmission	3-Speed Automatic
Shift Location	Steering Column
Oil Cooler	Standard; Integral with Radiator
Tires	Tubeless
Front	(2) LT215/85R16D (8PR)
Rear	(4) LT215/85R16C (6PR) (Dual)
Wheels	(6) 16" x 6"

Note: Motor Home Chassis are for recreational vehicle use only and are not to be used for the mounting of any type commercial body.

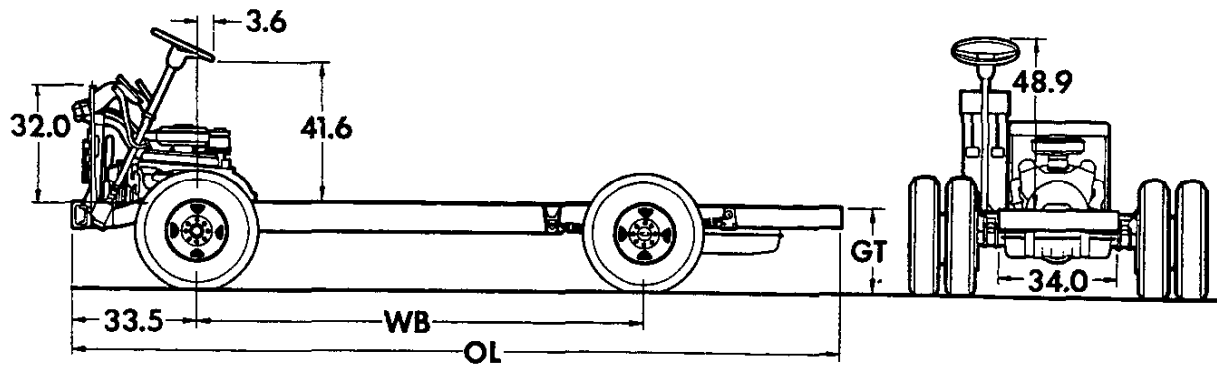
▲ Models P31832 and P32032 not available with diesel engine

♦ CCA-Cold Cranking Amps

MOTOR HOME CHASSIS

DIESEL

Body Ordering Code—ZW9/B3J



Model	Engine No. Cyl.	Body Length (ft)	Dimensions (in)★			Curb Weights (lb)†			Ground Clearance (in)★	
			WB	OL	GT	Front	Rear	Total	Front	Rear
P31132	8	21-23	137	234.3	27.9	2412	1400	3812	10.2	7.9
P31432	8	24-26	158.5	259.4	27.9	2478	1441	3919	10.2	7.9

Note: Motor Home Chassis are for recreational vehicle use only and are not to be used for the mounting of any type commercial body.

★Dimensions with standard equipment, unloaded.

†Total Curb Weight may vary as much as ± 50 lbs. to allow for production build variation.

MOTOR HOME CHASSIS

POWER TEAMS

ALL STATES

POWER TEAMS (MUST ORDER ENGINE, TRANSMISSION AND REAR AXLE)
 (Consult GVWR Selector and Tire Chart to insure tire capacity and availability)

W/NA5 STANDARD (Satisfies High Altitude Emission Requirements)
 W/NA6 HIGH ALTITUDE OR YF5 CALIFORNIA EMISSIONS

ENGINE	TRANSMISSION	AXLES				GVWR
		*4.10	4.56	4.88	*5.13	
P31132-31432 W/O 7.50-16/D (PE) Tires						
#LE8 V8 7.4 Liter (454-488L)	MX1	*GQ1	HC4	—	—	10500/ 11800/ 12300
	MX1	—	*HF7	*HF8	—	%14500
LL4 Diesel 6.2 Liter V8 (379 Cu In)(Reqs B3J)	MX1	*GQ1	—	—	—	10500
	MX1	*GQ1	—	—	—	11800
	MX1	—	—	—	*HC7	%14500
P31132-31432 W/7.50-16/D (PE) Tires						
#LE8 V8 7.4 Liter (454-488L)	MX1	*GQ1	HC4	—	—	N/A 14500
	MX1	*GQ1	HC4	—	—	10500/11800
LL4 Diesel 6.2 Liter V8 (379 Cu In)(Reqs B3J)	MX1	—	GQ1	—	—	11000/12300
	MX1	—	GQ1	—	—	11000/12300
P31832-32032						
#LE8 V8 7.4 Liter (454-488L)	MX1	—	GQ1	HF8	—	14500

*N/A G80 Locking Differential

%CP31432 only

✓ #N/A NA6 High Altitude Emissions. With NA5 Emissions
 DOES Satisfy High Altitude Requirements

■ High Altitude Emission Equipment (FOR EXHAUST SMOKE REDUCTION PURPOSES
 AT HIGH ALTITUDE; NOT REQUIRED TO SATISFY HIGH ALTITUDE EMISSION REGULATIONS).

ENGINE RATINGS

ALL STATES

SAE Net Ratings	7.4 Liter 454 4-bbl V8	6.2 Liter 379 V8 Diesel
Net Horsepower	230 @ 3800 rpm	148 @ 3600 rpm
Net Torque, lb-ft	370 @ 3200 rpm	259 @ 2000 rpm

**Engines with Heavy-Duty Emissions.

MOTOR HOME CHASSIS

GVWR SELECTOR—ALL STATES

GVW Rating (lbs)	†GAWR (lbs)		Minimum Equipment Required for GVW Rating		
	Front	Rear	Tire Capacity (lbs ea)		Chassis Equipment
			Front	Rear	
137', 158.5" WB Models					
10,500	4300	6200	2315	1764	Standard
11,000	4880	6200	2440	2140	HD Front Suspension (F66)
11,800	4300	7500	2315	2105	HD Rear Springs (G50)
12,300	4880	7500	2440	2140	HD Front Suspension (F66); HD Rear Springs (G50)
12,300	4880	7500	2440	2140	I-Beam Front Axle (FS3); HD Rear Springs (G50)
●14,500	5000	9840	2800	2460	10,000-lb Rear Axle (HC7/HF7/HF8)
178', 208" WB Model					
14,500	5000	9840	2800	2460	Standard

Note: Motor Home Chassis are for recreational vehicle use only and are not to be used for the mounting of any type commercial body. †GAWR's shown are the maximum for each axle with equipment listed. Other GAWR's are available, and they are determined as the minimum capacity of either axle, springs or tires.

●Available on 158.5" WB model only.

FRONT AND REAR TIRE AVAILABILITY CHART—ALL STATES

Spare tire to match either front or rear tires available at extra cost

Description	Capacity (lbs each)		Highway		Spare
	Front	Dual Rear	Front	Dual Rear	
137', 158.5" WB Models					
TUBELESS					
LT215/85R16D Steel Belted Radial	2315	2105	XYK	YYK	ZYK
LT215/85R16C Steel Belted Radial	—	1764	—	YYJ	ZYK
158.5', 178', 208" WB Models					
TUBELESS					
*8-19.5D Steel Belted Radial	2800	2460	XNP	YNP	ZNP
*8-19.5D Polyester	2800	2460	XSN	YSN	ZSN
137', 158.5" WB Models					
TUBE-TYPE					
7.50-16D Polyester	2440	2140	XPE	YPE	ZPE

*Requires 10,000 lb. rear axle (HC7, HF7 or HF8) on 158.5" WB model.

MOTOR HOME CHASSIS

THE FOLLOWING EQUIPMENT IS STANDARD ON DIESEL ENGINE MODELS (ALSO SEE STANDARD SPECIFICATIONS PAGES)

- Low Coolant Sensor
- Poly-wrapped Paper Element Air Cleaner
- Power Steering
- Engine Block Heater (600 watts, 120 volts)
- Water/fuel separator unit which incorporates a water sensor and sending unit, a fuel filter, a fuel heater and water drain capability
- Dual 540 Cold Cranking Amp/115 min. Reserve Capacity Batteries
- HD Radiator
- Dual Exhaust System
- Warning Lights: Glow Plugs, Water-in-fuel (or fuel filter), and Low Coolant
- Diesel Engine Identification:
 - Nameplates
 - "Diesel Fuel Only" filler cap and label

MOTOR HOME CHASSIS (10,500-lb - 14,500-lb GVW)

1988 VEHICLES WITH STANDARD EQUIPMENT

prices shown are effective with vehicles produced on and after January 2, 1988

Description	Model Number	Body Code	Wheel Base	Factory D&H(a)	List Price	Mfr's Suggested Retail Price★	Group Number
◆ 8 Cylinder 7.4 Liter (454 Cu. In.) 4 BBL V8 Gasoline Engine-Engine Ordering Code LE8							
Motor Home Chassis	CP31132	ZW9	137"	N.A.	11921.00	11921.00	17
Motor Home Chassis	CP31432	ZW9	158.5"	N.A.	12090.00	12090.00	17
Motor Home Chassis	CP31832	ZW9	178"	6.54	13992.00	13998.54	17
Motor Home Chassis	CP32032	ZW9	208"	6.54	14303.00	14309.54	17
◆ 8-Cylinder 6.2 Liter (379 Cu. In.) H.D. Diesel V8 Engine-Engine Ordering Code LL4							
Motor Home Chassis	CP31132	ZW9 & B3J	137"	N.A.	12571.00	12571.00	17
Motor Home Chassis	CP31432	ZW9 & B3J	158.5"	N.A.	12737.00	12737.00	17

- ★ Manufacturer's Suggested Retail Prices do not include applicable destination charges, state and local taxes, license fees, optional equipment or special items or services.
- ◆ Refer to Dealer Order Guide for California Requirements.

OPTIONS WHEN INSTALLED BY GENERAL MOTORS

prices shown are effective with vehicles produced on and after January 2, 1988

Description	Option Number	Factory D&H(a)	List Price	Mfr's Suggested Retail Price◇
Emission Systems: Dealer Note - One of the following emission options must be specified.				
<i>California Emission Requirements:</i> Includes all testing, equipment and/or certification necessary for registration in the State of California. See <i>Power Teams Chart</i> for availability and complete specifications.				
Without B3J Diesel Equipment	YF5	N.A.	(-235.00)	(-235.00)
With B3J Diesel Equipment	YF5	N.A.	99.00	99.00
<i>High Altitude Emission Equipment.</i> Available only when B3J Diesel Equipment is specified. Not available when YF5 California or NA5 Standard Emissions is specified.				
Standard Emissions Equipment. Not available when YF5 California or NA6 High Altitude Emissions is specified . . .	NA6	NO ADDITIONAL CHARGE		
Standard Emissions Equipment. Not available when YF5 California or NA6 High Altitude Emissions is specified . . .	NA5	NO ADDITIONAL CHARGE		
Engines: (See Power Teams Chart for availability and complete specifications)				
Gasoline.				
7.4 Liter (454 Cu. In.) 4 BBL V8.	LE8	NO ADDITIONAL CHARGE		
Diesel				
6.2 Liter (379 Cu. In.) H.D. V8 Diesel. Available only when B3J Diesel Equipment is specified. Not available on P31832 or P32032				
Transmission: 3-Speed Automatic	LL4	NO ADDITIONAL CHARGE		
Transmission: 3-Speed Automatic	MX1	NO ADDITIONAL CHARGE		
Axle, Front: I-Beam. 5000-lb Capacity. Not available when LT215 tires or F66 H.D. Positrim Suspension is specified. Includes front leaf springs with tip liners and special shock absorbers				
Without HC7, HF7 or HF8 Axle. Available only when G50 H.D. Rear Springs are specified	FS3	N.A.	1109.00	1109.00
With HC7, HF7 or HF8 Axle	FS3	N.A.	899.00	899.00

(a) D & H Charges on vehicle and optional equipment include reimbursement to ordering Division for any tax that it has paid, incurred or agreed to pay thereon.
◇ State and local taxes not included.

MOTOR HOME CHASSIS

OPTIONS WHEN INSTALLED BY GENERAL MOTORS

prices shown are effective with vehicles produced on and after January 2, 1988

Description	Option Number	Factory D&H(a)	List Price	Mfr's Suggested Retail Price◇
Axles, Rear: (See Power Teams Chart for option number selection, availability and complete specifications)				
Optional Ratio		N.A.	38.00	38.00
Capacity 10,000-lb. Heavy Duty. P31432 available only when SN or NP 8-19.5 Tires are specified. Not available on P31132. Includes H.D. power 4-wheel disc brakes, 10,000-lb capacity rear springs and propeller shaft mounted parking brake.				
4.56 Ratio. Standard on P31832 and P32032. Not available when B3J Diesel Equipment is specified	HF7	N.A.	1588.00	1588.00
4.88 Ratio. Not available when B3J Diesel Equipment is specified.				
Without FS3 5000-lb I-Beam Capacity Suspension. Includes 5000-lb Capacity Positrim Suspension				
158.5- wheelbase only	HF8	N.A.	1588.00	1588.00
178- or 208- wheelbase only	HF8	N.A.	38.00	38.00
5.13 Ratio. P31432 only. Available only when B3J Diesel Equipment is specified.	HC7	N.A.	1588.00	1588.00
Locking Differential. Not available on P31832 and P32032	G80	N.A.	252.00	252.00
Tires:				
TUBELESS P31132 or P31432 only. All rim sizes are 6.00"				
LT215/85R16-C Steel Belted Highway Radial Blackwall (Maximum Capacity Each. Dual Rear 1764-lbs) Rear. (Standard)				
	YYJ	N.C.	(-68.00)	(-68.00)
LT215/85R16-D Steel Belted Highway Radial Blackwall (Maximum Capacity Each. Front 2315-lbs) (Dual Rear 2105-lbs)				
Front. (Standard)	XYK	NO ADDITIONAL CHARGE		
Rear	YYK	NO ADDITIONAL CHARGE		
Spare	ZYK	N.C.	320.00	320.00
TUBELESS. P31432, P31832 or P32032 only. All 8-19.5 tires on P31432 available only when HC7, HF7 or HF8 10,000-lb Rear Axle is specified.				
8-19.5/D Highway Polyester Blackwall (Maximum Capacity Each. Front 2800-lbs) (Dual Rear 2460-lbs)				
Front				
P31432 only	XSN	1.80	(-84.00)	(-82.20)
P31832 or P32032 only	XSN	(-.38)	(-128.00)	(-128.38)
Rear				
P31432 only	YSN	3.60	(-168.00)	(-164.40)
P31832 or P32032 only	YSN	(-.76)	(-256.00)	(-256.76)
Spare	ZSN	.90	278.00	278.90
T 8-19.5 /D Highway Steel Belted Radial Ply Blackwall (Maximum Capacity Each. Front 2800-lbs) (Dual Rear 2460-lbs)				
Front				
P31132 and P31432 only	XNP	2.08	44.00	46.08
P31832 and P32032 only. Standard	XNP	NO ADDITIONAL CHARGE		
Rear				
P31132 and P31432 only	YNP	4.36	88.00	92.36
P31832 and P32032 only. Standard	YNP	NO ADDITIONAL CHARGE		
Spare	ZNP	1.09	342.00	343.09
TUBE-TYPE. P31132 or P31432.				
7.50-16/D Highway Polyester Blackwall (Maximum Capacity Each. Front 2440-lbs) (Dual Rear 2140-lbs)				
Front	XPE	N.C.	(-172.00)	(-172.00)
Rear	YPE	N.C.	(-344.00)	(-344.00)
Spare	ZPE	N.C.	234.00	234.00

(a) D & H Charges on vehicle and optional equipment include reimbursement to ordering Division for any tax that it has paid, incurred or agreed to pay thereon.
 ◇ State and local taxes not included.

MOTOR HOME CHASSIS

OPTIONS WHEN INSTALLED BY GENERAL MOTORS

prices shown are effective with vehicles produced on and after January 2, 1988

Description	Option Number	Factory D&H(a)	List Price	Mfr's Suggested Retail Price◇
OTHER OPTIONS				
Air Conditioning Provision Delete: Not available when B3J Diesel Equipment is specified	EN2	N.A.	(-375.00)	(-375.00)
Headlamps, Dual: <i>Rectangular.</i> Shipped loose for body co. installation	HPR	N.A.	34.00	34.00
Heater, Engine Block: 600 watts, 120 volts. Not available when B3J Diesel Equipment is specified	K05	N.A.	33.00	33.00
Preliminary Price Information	B3W	N.A.	N.A.	N.A.
Springs: <i>Rear, Heavy-Duty.</i> Capacity 3750-lb each. Available only when YK LT215/85R16D, PE 7.50-16 or NP 8-19.5 Rear Tires are specified. Not available on P31832-P32032 or when HC7, HF7 or HF8 10,000-lb Rear Axle is specified	G50	N.A.	62.00	62.00
Suspension: <i>Positrim, Front, Heavy-Duty.</i> Available only when PE 7.50-16 Tires are specified. Not available on P31832-P32032 or when HC7, HF7 or HF8 10,000-lb Rear Axle or FS3 5000-lb I-Beam Suspension is specified.	F66	N.A.	524.00	524.00
Tank, Fuel: 60 gallon capacity. P31432 and P31832 only	NN4	N.A.	236.00	236.00
Wheel, Spare: 19.5" x 6.00". P31432, P31832 or P32032 only. Available only when SN 8-19.5/D or NP 8-19.5 Tires are specified	Q34	N.A.	77.00	77.00

(a) D & H Charges on vehicle and optional equipment include reimbursement to ordering Division for any tax that it has paid, incurred or agreed to pay thereon.
 ◇ State and local taxes not included.

NOTES

MOTOR HOME CHASSIS

EXTERIOR FEATURES—STANDARD MODELS

The Standard models include the following items as standard equipment.

- **Air Conditioning**
- **Color:** Chassis and components painted black
- **Emblem:** Bright Chevrolet/GMC letters (furnished loose in parts box)
- **Front Frame Member:** Heavy channel reinforcement; painted black
- **Horn:** Single; low note; electric
- **Instruments:**
Gages: Speedometer, odometer, voltmeter, oil pressure, engine temperature and fuel
Switches: Main, for control of exterior lights and instrument lights; headlight beam (foot); ignition, direction signal with lane change position; and hazard warning
Warning lamps: service-parking brake, direction/hazard signal and high beam
NOTE: Ignition, direction signal, and hazard warning switches are installed; all other gages, switches and warning lamps are furnished loose in parts box
- **Lights:** (Furnished loose in parts box)
Combination parking/direction/hazard
Headlamps: Two; Power Beam
- **Steering Wheel:** Six-position Comfortilt type; 16" diameter; 2-spoke, black soft vinyl
- **Tilt Steering Column:** Lever adjusting control (Six-position)
- **Wheels:** Painted white

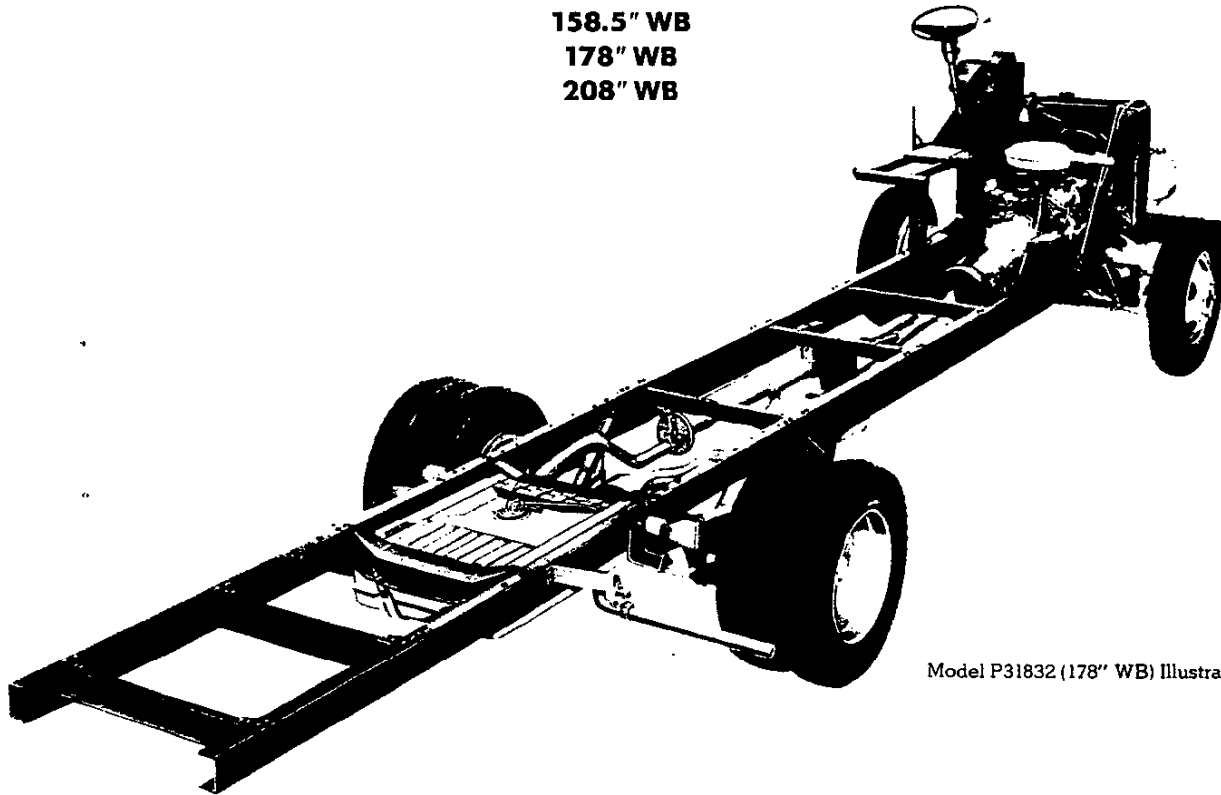
MOTOR HOME CHASSIS

137" WB

158.5" WB

178" WB

208" WB



Model P31832 (178" WB) Illustrated

MOTOR HOME CHASSIS

CHASSIS FEATURES