

1990
CHEVROLET
CORSICA



CORSICA

CORSICA	MODEL NUMBER	PASSENGER CAPACITY
4-Door LT Notchback Sedan	1LT69	All
4-Door LT Hatchback Sedan	1LT88	
4-Door LTZ Notchback Sedan	1LZ69	

Five

Corsica LT 4-Door Hatchback Sedan.



HIGHLIGHTS FOR '90

- Base models adopt Corsica LT designation and feature LT-type black exterior trim.
- One new exterior color, Malachite, is available and two carryover colors, Silver Metallic and Light Blue Metallic, are available with LT trim for the first time. Custom Two-Tone color combinations are cancelled.
- Base interior trim includes previously uplevel-type door trim panels, with new cloth inserts.
- Base seats have new cloth and new cushions.
- Seat and door panel trim is treated with **Scotchgard™** Fabric Protector.
- Standard L4 engine displacement is increased from 2.0 to 2.2 liters.
- Displacement of optional V6* is increased from 2.8 to 3.1 liters.
- VIN plate includes UPC symbols as well as conventional alphanumeric.
- Corsica LTZ includes sport-level seats and interior trim (not available for Corsica LT models).
- Dual round exhaust outlets with aluminumized steel tips included with optional V6*.

*Standard on LTZ.

EQUIPMENT AVAILABILITY

Flush-mounted halogen headlamps	S	S	S
Gloss black grille	S	S	NA
Gloss black "blocked out" grille panel	NA	NA	S
Gloss black door handles and lock cylinders	S	S	S
Gloss black window reveal and door moldings	S	S	S
Gloss black body-side moldings and bumper fascia rub strips with black inserts	S	S	NA
Gloss black body-side moldings and bumper fascia rub strips with red inserts	NA	NA	S
AM/FM stereo radio with Seek and Scan, digital clock and ERS™	S*	S*	S*
Depressed-park windshield wipers with wet-arm washers	S	S	S
Gloss black dual sport mirrors (LH remote)	S	S	S
Fingertip-control instrument panel cluster pods	S	S	S
Gage cluster with tachometer	O	O	S
Side window defoggers	S	S	S
Color-keyed safety belt system with passive front restraints, rear lap/shoulder belts at outer positions and lap belt at center	S	S	S
Full console	O	O	S
60/40 split-folding rear seat-back	O	NA	S
Full-folding rear seat-back	NA	S	NA
Lift-out package tray for ease of access to cargo area	NA	S	NA
Retracting roller package screen for cargo area	NA	S	NA
Luggage rack with integral stop lamp	O	NA	S
14" steel wheels with full covers and P185/75R-14 tires	St	St	NA
15" aluminum wheels with P205/60R-15 performance tires	NA	NA	S
Soft ride suspension	S	S	NA
Level III sport suspension	NA	NA	S

ERS—Extended Range Sound System. S—Standard. O—Optional at Extra Cost. NA—Not Available.
*May be deleted for credit from Base Vehicle Group only. †Styled Steel Wheels required with 3.1L V6.

See Passenger Car Order Guide for specific model availability.

ORDERING INFORMATION

PREFERRED EQUIPMENT GROUPS

NOTE: NOT TO BE USED FOR ORDERING. REFER TO ORDER GUIDE FOR CURRENT USAGE AND AVAILABILITY.

DESCRIPTION	CORSICA LT NOTCHBACK SEDAN			CORSICA LT HATCHBACK SEDAN			CORSICA LTZ NOTCHBACK SEDAN	
	PE.G. 1	PE.G. 2	PE.G. 3	PE.G. 1	PE.G. 2	PE.G. 3	PE.G. 1	PE.G. 2
Air Conditioning	0	X	X	0	X	X	STD.	STD.
Tinted Glass	X	X	X	X	X	X	STD.	STD.
Carpeted Floor Mats, Front/Rear	X	X	X	X	X	X	X	X
Intermittent Wiper System	X	X	X	X	X	X	STD.	STD.
Electronic Speed Control		X	X		X	X	X	X
Map Lamps with Roof Console	X	X	X	X	X	X	STD.	STD.
Comfortilt Steering Wheel		X	X		X	X	X	X
AM/FM Stereo with Seek and Scan, Cassette, Digital Clock and ERS	0	0	X	0	0	X	0	X
Power Door Lock System	0	0	X	0	0	X	0	X
Power Trunk/Hatch Release			X			X		X
Power Windows			X			X		X
INDIVIDUAL OPTIONS								
Tires/Wheel Trim								
P185/75R-14 White-Stripe Tires		0			0			
P205/60R-15 BL Tires							STD.	STD.
14" Styled Steel Wheels		0*			0*			
15" Aluminum Wheels							STD.	
Climate Control								
Electric Rear Window Defogger		0			0			0
Air Conditioning	0†	X	X	0	X	X		STD.
Radio Equipment								
AM/FM Stereo with Seek and Scan, Cassette, Digital Clock and ERS	0	0	X	0	0	X	0	X
AM Stereo/FM Stereo with Seek and Scan, Equalizer, Cassette, Digital Clock and ERS		0†			0†			0†
Radio Delete	Available only with Base Vehicle Groups.							
Additional Individual Options								
Deck-Lid Carrier		0						STD.
Console		0			0			STD.
Gage Package with Tachometer		0			0			STD.
Power Door Lock System	0	0	X	0	0	X	0	X
Front License Plate Bracket		0			0			0

0—Available Individual Option. X—Included in P.E.G. STD.—Standard. ERS—Extended Range Sound System.

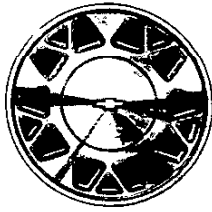
†Requires RPO C60 Air Conditioning.

†Receives C-Quam* AM stereo broadcasts.

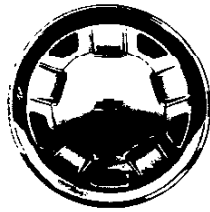
Receives C-Quam AM stereo broadcasts. Most AM stereo stations across the country broadcast in C-Quam, but some do not. Check with your local stations for compatibility in your area. C-Quam is a registered trademark of the Motorola Company.

Refer to Passenger Car Order Guide for option availability and application.

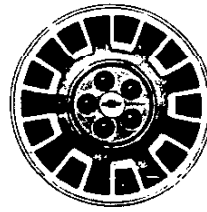
WHEEL TRIM



Standard 14" Full Wheel Covers.



14" x 6" Styled Steel Wheels with Trim Rings, required with V6, not available with L4 engine.



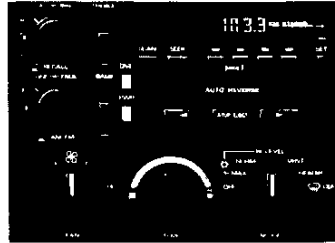
Standard LTZ 15" x 6" Aluminum Wheels.

RADIOS

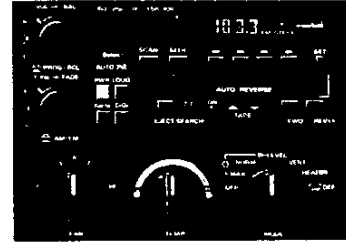


Standard* electronically tuned AM/FM stereo radio with Seek and Scan, digital clock and Extended Range Sound System (ERS).

*May be deleted for credit from Base Vehicle Groups only.



Optional electronically tuned AM/FM stereo radio with Seek and Scan, stereo cassette tape player, digital clock and Extended Range Sound System (ERS) (RPO UM6, requires RPO C60 Air Conditioning).



Optional electronically tuned AM stereo*/FM stereo radio with Seek and Scan, graphic equalizer, cassette tape player, digital clock and Extended Range Sound System (ERS) (RPO UX1, requires RPO C60 Air Conditioning).

Receives C-Quam AM stereo broadcasts. Most AM stereo stations across the country broadcast in C-Quam, but some do not. Check with your local stations for compatibility in your area. C-Quam is a registered trademark of the Motorola Company.

VALUE FEATURES

Corsica models include many standard features that enhance operation, safety and convenience. For 1990, these include:

- Power rack-and-pinion steering.
- Power front disc/rear drum brakes.
- Dual sport mirrors (LH remote).
- All-season steel-belted radial ply tires.
- Body-side moldings and bumper fascia rub strips.
- Electric speedometer.
- Base-coat/clear-coat paint.
- **Scotchgard™** Fabric Protector.



©1989 General Motors Corporation. All rights reserved. The Chevrolet emblem is a registered trademark of General Motors Corporation.

All illustrations and specifications in this brochure are based on the latest product information available at the time of publication approval. The right is reserved to make changes at any time, without notice, in colors, materials, specifications and models, and also to discontinue models. Chevrolet Motor Division, General Motors Corporation, Warren, Michigan 48090.



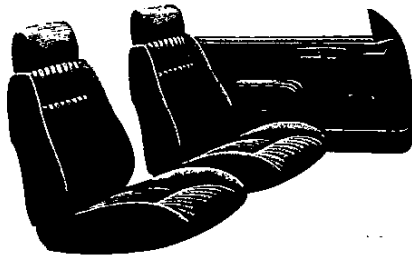
Refer to Passenger Car Order Guide for option availability and application.

SEAT TYPES & COLORS

CORSICA LT CLOTH SEAT TRIM



Standard cloth seat trim available in Black, Blue, Gray or Maroon.

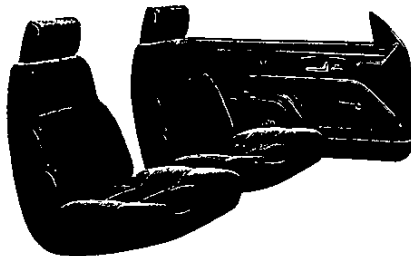


Standard cloth reclining bucket seats with adjustable head restraints and 4-way mechanical driver's seat adjuster. Door panel storage pockets. Includes full-folding rear seat-back in Hatchback.

CORSICA LT OPTIONAL CUSTOM CLOTH CL SEAT TRIM

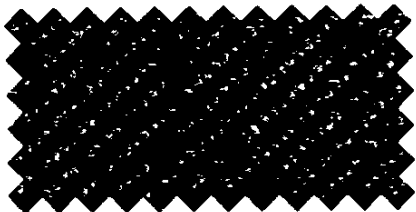


Optional Custom Cloth CL seat trim available in Black, Blue, Gray or Maroon.

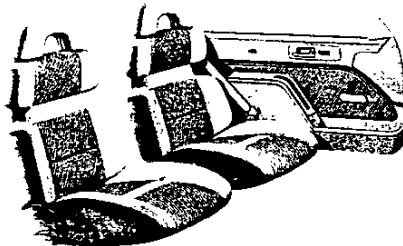


Optional Custom Cloth CL reclining bucket seats with adjustable head restraints and 4-way mechanical seat adjusters. Door panel storage pockets. Includes 60/40 split-folding rear seat-back in Notchback.

CORSICA LTZ SPORT CLOTH SEAT TRIM



LTZ standard Sport Cloth seat trim available in Gray.



LTZ standard Sport Cloth reclining sport bucket seats with 4-way articulated adjustable head restraints and 4-way mechanical seat adjusters. Door panel storage pockets. Includes 60/40 split-folding rear seat-back.

Refer to Passenger Car Order Guide for option availability and application.

CHEVROLET SPECIFICATIONS — 1990 CORSICA

MODELS PASSENGERS

Corsica LTZ 4-Door Notchback Sedan (1LZ69) 5
 Corsica LT 4-Door Hatchback Sedan (1LT68) 5
 Corsica LT 4-Door Notchback Sedan (1LT69) 5

DIMENSIONS (inches)

EXTERIOR

Wheelbase 103.1
 Length (overall) 183.4
 Width (overall) 68.0
 Height (overall) 56.2

INTERIOR

Head Room—Front/Rear 38.1/37.4
 Leg Room—Front/Rear 43.4/35.0
 Hip Room—Front/Rear 50.9/51.2
 Shoulder Room—Front/Rear 55.4/55.6

LUGGAGE COMPARTMENT CAPACITY (cu. ft.)

Usable Luggage Capacity Notchback 13.5
 Cargo Volume
 with Rear Seat Down Hatchback 39.1
 with Rear Seat Up Hatchback 23.6

RATED FUEL TANK CAPACITY (gallons) 15.6

POWER TEAMS

STANDARD ENGINE

RPO LM3, 2.2 Liter (133 cu. in.) L4 with Electronic Fuel Injection (EFI) (NA w/LTZ)

OPTIONAL ENGINE

RPO LH0, 3.1 Liter (191 cu. in.) V6 with Multi-Port Fuel Injection (MPI) (Included w/LTZ)

STANDARD TRANSMISSION

5-Speed Manual with Overdrive

OPTIONAL TRANSMISSION

3-Speed Automatic

STANDARD EQUIPMENT SUMMARY

Composite Halogen Headlamps
 5-MPH Bumpers
 Gloss Black Body Side Moldings with Narrow Black Insert
 Gloss Black Facia Rub Strips with Narrow Black Inserts
 Gloss Black Grille, Window Reveal and Door Moldings
 14" Steel Wheels with Full Covers
 P185/75 R14 All-Season Steel-Belted Radial Tires (Corsica LT)
 Passive Front Safety Belt System; Rear Seat Outer Position Lap/Shoulder Belts, Lap Belt for Rear Center Position
 Electric Speedometer
 Snap-Up Sunshade (Map Strap on Driver's)
 Open Instrument Panel Storage Compartment on Left
 Fingertip Controls in Instrument Panel Cluster Pods
 AM/FM Stereo Radio with Seek and Scan and Digital Clock (May be Deleted for Credit)
 Hatchback Sedan Interior Includes Removable Package Tray, Window-Shade Type Package Screen
 Power Front Disc/Rear Drum Brake System
 Power Rack and Pinion Steering
 Courtesy Lamp
 Trunk Lamp
 Scotchgard™ Fabric Protector
 Courtesy Lamps
 Four Speaker Sound System
 Dual Mirrors

SEAT STYLES

STANDARD SEATS

Corsica LT - Cloth Reclining Bucket Seats with Adjustable Head Restraints and 4-Way Mechanical Driver's Seat Adjuster; Full Folding Rear Seat with Hatchback
 Corsica LTZ - Sport Cloth Bucket Seats with Adjustable Head Restraints and 4-Way Mechanical Driver's and Passenger's Seat Adjusters; 60/40 Split-Folding Rear Seat

OPTIONAL SEATS

Corsica LT - Custom Cloth Reclining Bucket Seats with Adjustable Head Restraints and 4-Way Driver's and Passenger's Seat Adjusters; 60/40 Split Folding Rear Seat

CORSICA LTZ

COLOR AND TRIM SELECTION

PLEASE NOTE: The Exterior Paint and Interior Trim Combinations Shown Below are the Only Combinations that are Available.

Interior Trim Color	Gray
MODEL	SEAT TYPE
1LZ69 Sport Cloth Bucket	LQ02

SOLID PAINT APPLICATION

Exterior Paint Color	Color Code 1	Color Code 2	Gray
Black (Met)	14	14	●
Blue, Med (Met)	27	27	●
Gray, Med (Met)	87	87	●
Maroon (Met)	72	72	●
White	40	40	●

POWER TEAMS

ENGINE OPTION CONDITION	FINAL DRIVE RATIO	
	2.84	3.61
WITH NA5 STANDARD EMISSIONS		
LHO MM5	—	Std
MX1	Std	—
WITH YF5 CALIFORNIA EMISSIONS		
LHO MM5	—	Std
MX1	Std	—

13220.00 **Model 1LZ69**

PREFERRED VEHICLE

MUST ORDER ONE GROUP — NO DELETIONS ALLOWED

	LZA1	LZA2
363.00 Preferred Equipment Group 1		
Floor Covering: Carpeted Mats, Color-Keyed Front and Rear	x	x
Speed Control: Electronic, with Resume Speed	x	x
Steering Wheel, Comfortilt	x	x
1063.00 Preferred Equipment Group 2		
Electronically Tuned AM/FM Stereo Radio w/Seek-Scan, Stereo Cassette Tape and Digital Clock w/Extended Range Sound System		x
Power Door Lock System		x
Power Trunk Opener		x
Power Windows		x

Base Vehicles may be ordered by specifying Preferred Equipment Group Code LZAB (Incls LH Remote, RH Manual Sport Mirrors, 5-Speed Manual Trans, 3.1 Liter MFI V6 Eng, Air Conditioning, AM/FM Stereo Radio w/Seek-Scan and Digital Clock w/Extended Range Sound System, Interior and Exterior Ornamentation, Console, Level III Sport Suspension which includes Gas Charged Struts and Shocks, 15" Aluminum Wheels, P205/60R15 Blackwall Tires, Tinted Glass, Map Lamps with Roof Console, Intermittent Wipers, Black Deck Carrier, Dual Horns, Gage Pkg w/Tach, Body Side Moldings and Sport Steering Wheel).

REGIONALIZED OPTIONS

ADDITIONAL OPTIONS MAY BE ORDERED FROM THIS LISTING ONLY

<p>ENGINE (Must Order) N.C. LH0 3.1 Liter MFI V6</p> <p>TRANSMISSION (Must Order One) N.C. MM5 5-Speed Manual 540.00 MX1 3-Speed Automatic</p> <p>EMISSION (Must Order One) N.C. NA5 Standard Emissions 100.00 YF5 California Emissions</p> <p>TIRES N.C. --- P205/60 R15 B/W (Base)</p> <p>WHEELS N.C. --- 15" Aluminum Wheel (Base)</p> <p>CLIMATE CONTROL 160.00 C49 Defogger, Rear Window: Electric</p>	<p>RADIO EQUIPMENT V.P.S. --- Electronically Tuned AM/FM Stereo Radio w/Seek-Scan and Digital Clock w/Extended Range Sound System (Base)</p> <p>V.P.S. UM6 Electronically Tuned AM/FM Stereo Radio w/Seek-Scan, Stereo Cassette Tape and Digital Clock w/Extended Range Sound System (Incl w/Group LZA2)</p> <p>V.P.S. UX1 Electronically Tuned AM Stereo/FM Stereo Radio w/Seek-Scan, Stereo Cassette Tape with Search and Repeat, Graphic Equalizer and Clock w/Extended Range Sound System</p> <p>V.P.S. UL5 Radio Delete (Reqs Group LZAB)</p> <p>INTERIOR TRIM N.C. L**2 Sport Cloth Bucket</p> <p>ADDITIONAL OPTIONS N.C. VK3 License Plate Bracket, Front 215.00 AU3 Power Door Lock System (Incl w/Group LZA2)</p>
---	---

CORSICA LT

COLOR AND TRIM SELECTION

PLEASE NOTE: The Exterior Paint and Interior Trim Combinations Shown Below are the Only Combinations that are Available.

Interior Trim Color		Black	Blue	Maroon	Gray
MODEL	SEAT TYPE				
1LT69/ 1LT68	Cloth Bucket	CBB2	CDD2	CFF2	CQQ2
	Custom Cloth Bucket CL	FBB2	FDD2	FFF2	FQQ2

CUSTOM TWO-TONE PAINT (D84 Must be Specified in "Plus" (+) Option Section of Order Worksheet)

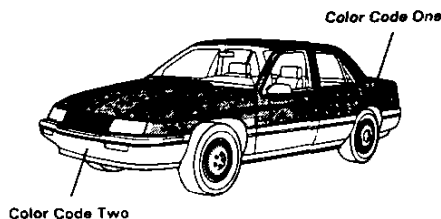
Exterior Paint Color	Color Code 1	Color Code 2	Black	Blue	Maroon	Gray
Black (Met) & Gray, Medium (Met)	14	87	●			●
Blue, Medium (Met) & Blue, Light (Met)	27	22		●		
Maroon (Met) & Silver (Met)	72	13			●	
Silver (Met) & Gray, Medium (Met)	13	87				●
White & Gray, Medium (Met)	40	87				●

SOLID PAINT APPLICATION

Exterior Paint Color	Color Code 1	Color Code 2	Black	Blue	Maroon	Gray
Black (Met)	14	14	●		●	●
Blue, Light (Met)	22	22		●		
Blue, Medium (Met)	27	27		●		
Malachite (Met)	44	44	●			
Maroon (Met)	72	72	●		●	●
Gray, Medium (Met)	87	87	●		●	●
Silver (Met)	13	13	●		●	●
White	40	40	●	●	●	●

POWER TEAMS

ENGINE OPTION CONDITION	FINAL DRIVE RATIO			
	2.84	3.18	3.61	3.83
WITH NA5 STANDARD EMISSIONS				
LM3 MM5	—	—	—	Std
MX1	—	Std	—	—
LHO MM5	—	—	Std	—
MX1	Std	—	—	—
WITH YF5 CALIFORNIA EMISSIONS				
LM3 MM5	—	—	—	Std
MX1	—	Std	—	—
LHO MM5	—	—	Std	—
MX1	Std	—	—	—



D84 CUSTOM TWO-TONE

CORSICA

Page 4

1990 ORDER GUIDE

REVISED: 9-15-89

Prices Shown Are Manufacturer's Suggested Retail Prices (MSRP) At The Time Of Publication. These Prices Are To Be Used Only As An Aid To Inventory Management Since MSRP Figures Change Periodically. The Vehicle Price Schedule Is The Official Pricing Documentation Of Chevrolet Motor Division And Should Be Used In Discussing Vehicle Prices With Potential Buyers. The Model Prices Shown In The Order Guide Include The Destination Freight Charges.

10320.00 **Model 1LT68 Corsica Hatchback**
 9920.00 **Model 1LT69 Corsica Sedan**

PREFERRED VEHICLE

MUST ORDER ONE GROUP — NO DELETIONS ALLOWED

	LBA1	LBA2	LBA3
232.00 Preferred Equipment Group 1			
Floor Covering: Carpeted Mats, Color-Keyed Front and Rear	x	x	x
Glass, Tinted	x	x	x
Map Lamps with Roof Consolette	x	x	x
Windshield Wiper System, Intermittent	x	x	x
1342.00 Preferred Equipment Group 2			
Air Conditioning		x	x
Speed Control: Electronic, with Resume Speed		x	x
Steering Wheel, Comfortilt		x	x
2042.00 Preferred Equipment Group 3			
Electronically Tuned AM/FM Stereo Radio w/Seek-Scan, Stereo Cassette Tape and Digital Clock w/Extended Range Sound System			x
Power Door Lock System			x
Power Trunk Opener/Hatch Release			x
Power Windows			x

Base Vehicles may be ordered by specifying Preferred Equipment Group Code LBAB (Incls LH Remote, RH Manual Sport Mirrors, 2.2 Liter EFI L4 Eng, 5-Speed Manual Trans, AM/FM Stereo Radio w/Seek-Scan and Digital Clock w/Extended Range Sound System and P185/75 R14 Tires).

REGIONALIZED OPTIONS

ADDITIONAL OPTIONS MAY BE ORDERED FROM THIS LISTING ONLY

ENGINE (Must Order One)		V.P.S. UM6	Electronically Tuned AM/FM Stereo Radio w/Seek-Scan, Stereo Cassette Tape and Digital Clock w/Extended Range Sound System (Reqs C60 Air) (Incl w/Group LBA3)
N.C. LM3	2.2 Liter EFI L4		
685.00 LHO	3.1 Liter MFI V6 (Reqs PC4 Wheels)		
TRANSMISSION (Must Order One)		V.P.S. UX1	Electronically Tuned AM Stereo/FM Stereo Radio w/Seek-Scan, Stereo Cassette Tape with Search and Repeat, Graphic Equalizer and Clock w/Extended Range Sound System (Reqs C60 Air)
N.C. MM5	5-Speed Manual		
540.00 MX1	3-Speed Automatic		
EMISSION (Must Order One)		V.P.S. UL5	Radio Delete (Reqs Group LBAB)
N.C. NA5	Standard Emissions		
100.00 YF5	California Emissions		
TIRES (May Choose One)		INTERIOR TRIM	
N.C. ---	P185/75 R14 B/W (Base)	N.C. C**2	Cloth Bucket
68.00 QFF	P185/75 R14 W/S	425.00 F**2	Custom Cloth Bucket (1LT69 Model)
WHEELS (May Choose One)		275.00 F**2	Custom Cloth Bucket (1LT68 Model)
N.C. ---	Full Wheel Covers (Base)	ADDITIONAL OPTIONS	
56.00 PC4	14" Styled Steel Wheel (Reqs LHO Engine)	115.00 V56	Carrier, Deck Lid-Black (1LT69 Only)
CLIMATE CONTROL		60.00 D55	Console
160.00 C49	Defogger, Rear Window: Electric	139.00 UB3	Gage Package with Tachometer (Reqs LHO Engine)
780.00 C60	Air Conditioning (Incl w/Groups LBA2 and LBA3)	N.C. VK3	License Plate Bracket, Front
RADIO EQUIPMENT		123.00 D84	Paint, Custom Two-Tone
V.P.S. ---	Electronically Tuned AM/FM Stereo Radio w/Seek-Scan and Digital Clock w/Extended Range Sound System (Base)	215.00 AU3	Power Door Lock System (Incl w/Group LBA3)

TRIM SELECTION

terior Paint and Interior Trim Combinations Shown Below are the Only Combinations

	Black	Blue	Maroon	Gray
SEAT TYPE				
.....	CBB2	CDD2	CFF2	CQQ2
Bucket CL	FBB2	FDD2	FFF2	FQQ2

D84 TONE PAINT (D84 Must be Specified in "Plus" (+) Option Section of Order Worksheet)

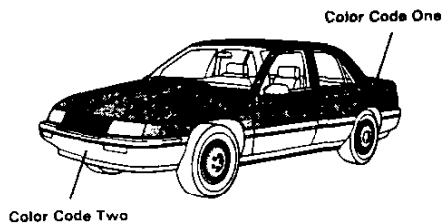
	Color Code 1	Color Code 2	Black	Blue	Maroon	Gray
Medium (Met)	14	87	●			●
Blue, Light (Met)	27	22		●		
Met)	72	13			●	
Medium (Met)	13	87				●
(Met)	40	87				●

APPLICATION

	Color Code 1	Color Code 2	Black	Blue	Maroon	Gray
	14	14	●		●	●
	22	22		●		
	27	27		●		
	44	44	●			●
	72	72	●		●	●
	87	87	●		●	●
	13	13	●		●	●
	40	40	●	●	●	●

AMS

OPTION	FINAL DRIVE RATIO			
	2.84	3.18	3.61	3.83
EMISSIONS	—	—	—	Std
.....	—	Std	—	—
.....	—	—	Std	—
.....	Std	—	—	—
IA EMISSIONS	—	—	—	Std
.....	—	Std	—	—
.....	—	—	Std	—
.....	Std	—	—	—



D84 CUSTOM TWO-TONE

1990 ORDER GUIDE

REVISED: 9-15-89

D: 9-15-89

Manufacturer's Suggested Retail Prices (MSRP) At The Time Of Publication. These Prices Are To Be Used Only As An Aid To
 Price MSRP Figures Change Periodically. The Vehicle Price Schedule Is The Official Pricing Documentation Of Chevrolet Motor
 Used In Discussing Vehicle Prices With Potential Buyers. The Model Prices Shown In The Order Guide Include The Destination

Used Only As An Aid To
 Price MSRP Figures Change Periodically. The Vehicle Price Schedule Is The Official Pricing Documentation Of Chevrolet Motor
 Used In Discussing Vehicle Prices With Potential Buyers. The Model Prices Shown In The Order Guide Include The Destination

O R I G I N A L

MANUFACTURERS MOTOR VEHICLE SPECIFICATIONS

METRIC (U.S. Customary)

1990

Manufacturer Chevrolet Motor Division General Motors Corporation	Vehicle Line CORSIKA	
Mailing Address Chevrolet-Pontiac-Canada Group Engineering Center General Motors Corporation 30003 Van Dyke Warren, Michigan 48090-9060	Issued June, 1989	Revised September, 1989

Direct questions concerning these specifications to the manufacturer listed above.

The information contained herein is prepared, distributed by, and is solely the responsibility of the vehicle manufacturing company to whose products it relates. This specification form was developed by the vehicle manufacturing companies under the auspices of the Motor Vehicle Manufacturers Association of the United States, Inc.

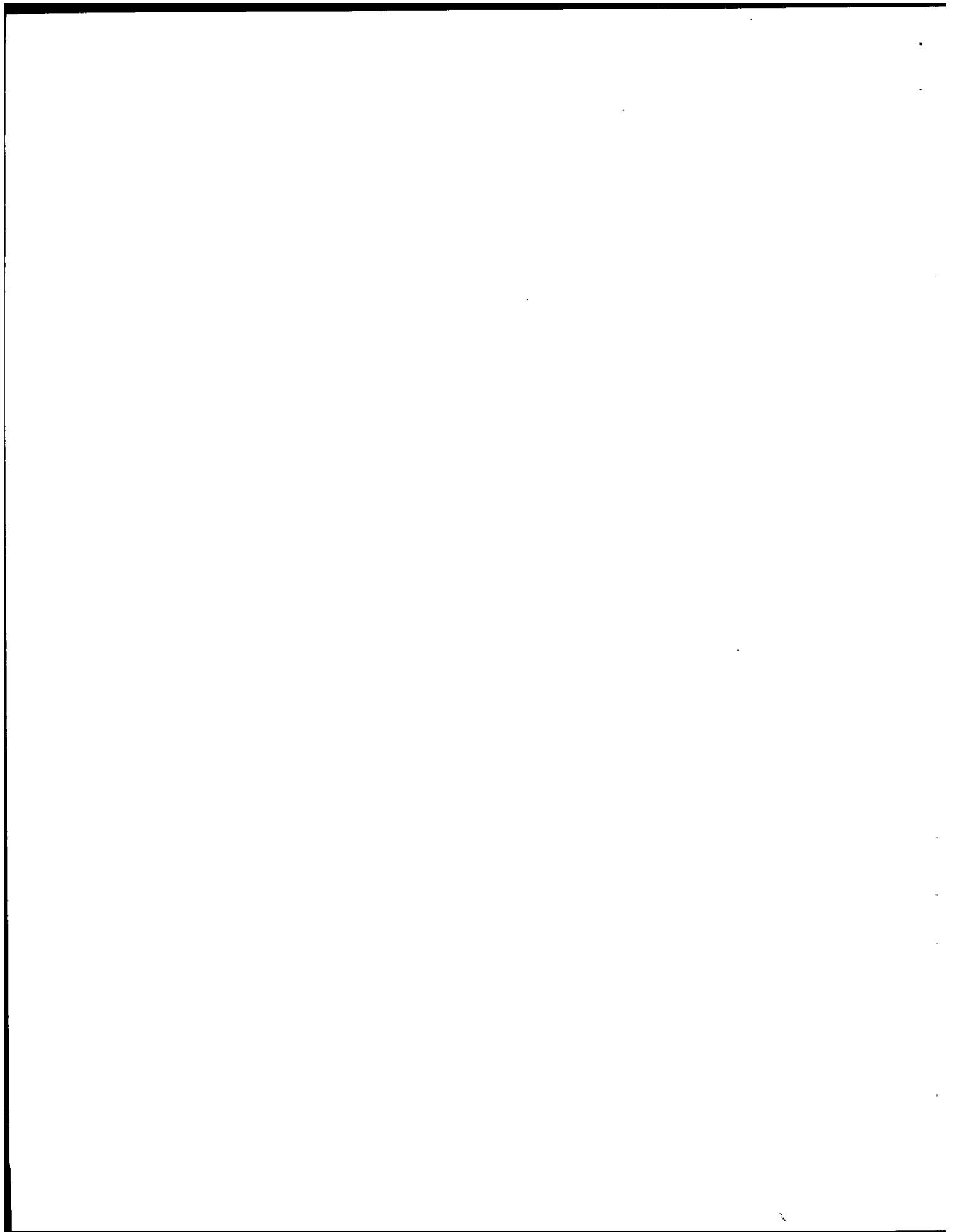
The General Specifications herein are those in effect at date of compilation and are subject to change without notice or incurring obligation by the manufacturer.



Motor Vehicle Manufacturers Association
of the United States, Inc.

Blank Forms Provided by Technical Affairs Division

FORM MVMA-90



MVMA Specifications

METRIC (U.S. Customary)

Table of Contents

	1	Vehicle Models/Origin	○ Indicates Format Change From Previous Year
○	2	Power Teams	
	3	Engine	
	4	Lubrication System	
	4	Diesel Information	
	5	Cooling System	
	6	Fuel System	
	7	Vehicle Emission Control	
	7	Exhaust System	
○	8-10	Transmission, Axles and Shafts	
	11	Suspension	
	12-13	Brakes	
	13	Tires and Wheels	
	14-15	Steering	
	15-16	Electrical	
	17	Body — Miscellaneous Information	
	18	Restraint System	
	18	Glass	
	18	Headlamps	
	18	Frame	
	19-20	Convenience Equipment	
○	21-23	Vehicle Dimensions	
	24	Vehicle Fiducial Marks	
○	25	Vehicle Mass (Weight)	
	26	Optional Equipment Differential Mass (Weight)	
	27-33	Vehicle Dimensions-Definitions - Key Sheets	
○	34	Index	

NOTE:

1. This form uses both SI metric units and U.S. Customary units. The metric unit of measure is presented first, and the U.S. Customary unit follows in parentheses.
2. UNLESS OTHERWISE INDICATED:
 - a. Specifications apply to standard models without optional equipment. Significant deviations are noted.
 - b. Nominal design dimensions are used throughout these specifications.
 - c. All linear dimensions are in millimeters (inches), and all mass (weight) specs. are in kilograms (pounds).
3. The General Specifications herein are those in effect at date of compilation and are subject to change without notice or incurring obligation by the manufacturer.
4. Additional Vehicle Dimensions (based in part on SAE J1100 "Motor Vehicle Dimensions") may be available from the manufacturer.

FORM MVMA-90

MVMA Specifications

Vehicle Line CORSICA
 Model Year 1990 Issued 6-89 Revised(*) 9-89

METRIC (U.S. Customary)

o Vehicle Origin

Design & development (company)	Chevrolet-Pontiac-GM of Canada
Where built (country)	U.S.A.
Authorized U.S. Sales marketing representative	Chevrolet Motor Division

o Vehicle Models

Model Description & Drive (FWD/RWD/AWD/4WD)*	Introduction Date	Make, Vehicle Models, Series, Body Type (Mfr's Model Code)	No. of Designated Seating Positions (Front/Rear)	Max. Trunk/Cargo Load-Kilograms (Pounds)
CORSICA 4-Door Notchback Sedan (FWD)		1LT69	5 (2/3)	
4-Door Hatchback Sedan (FWD)		1LT68	5 (2/3)	
CORSICA LTZ 4-Door Notchback Sedan (FWD)		1LZ69 (With Z54)	5 (2/3)	

* FWD - Front Wheel Drive RWD - Rear Wheel Drive AWD - All Wheel Drive 4WD - Four Wheel Drive

MVMA Specifications

Vehicle Line CORSICA
 Model Year 1990 Issued 6-89 Revised(*)

METRIC (U.S. Customary)

Engine Description	2.2 LITER L4 (133 CID)
Engine Code	THROTTLE BODY INJECTION RPO LM3

ENGINE - GENERAL

Type & description (inline, V, angle, flat, location, front, mid, rear, transverse, longitudinal, sohc, dohc, ohv, hemi, wedge, pre-chamber, etc.)	Inline, Front, Transverse - OHV	
Manufacturer	C-P-C Group - G.M. Corporation	
No. of cylinders	4	
Bore	89.0 mm (3.50 in.)	
Stroke	88.0 mm (3.46 in.)	
Bore spacing (C/L to C/L)	99.0 mm (3.90 in.)	
Cyl block matl & mass kg(lbs.)(machined)	Cast Iron, 40 (88)	
Cylinder block deck height	216.65 mm (8.53 in.)	
Cylinder block length	443 mm (17.44 in.)	
Deck clearance (minimum) (above or below block)	.7 mm (.028 in.) Below	
Cyl. head material & mass kg (lbs.)	Aluminum, 9.7 (21.3)	
Cylinder head volume (cu. cm.)	35.5 (2.17)	
Cylinder liner material	No Liner	
Head gasket thickness (compressed)	1.4 mm (.055 in.)	
Minimum combustion chamber total volume (cm. cu.)	68.43 (4.18)	
Cyl. no. system (front to rear)	L. Bank	1-2-3-4
	R. Bank	-
Firing order	1-3-4-2	
Intake manifold matl & mass(kg(lbs.))**	Aluminum, 3.9 (8.6)	
Exh. manifold matl & mass (kg (lbs.))**	Cast Iron, 4.5 (10)	
Fuel required unleaded, diesel, etc.	Unleaded	
Fuel antiknock index (R + M) / 2	87	
Engine mounts	Quantity	3
	Matl and type (elastomeric, hydroelastic, hydraulic damper, etc.)	Elastomeric
	Added isolation (sub-frame, crossmember, etc.)	No
Total dressed engine mass (wt) dry***	147.7 kg (325 lbs.) Automatic	163.3 kg (359 lbs.) Manual

Engine - Pistons

Material & mass, g (weight, oz.) - piston only	Aluminum, 320 (11.26)
--	-----------------------

Engine Camshaft

Location	In Block, Right Side	
Material & mass kg (weight, lbs.)	Cast Iron, 3.1 (6.8)	
Drive type	Chain/belt	Chain
	Width/pitch	19.3 / 9.5 mm (.76 / .37 in.)

*Rear of engine - drive takeoff. View from drive takeoff end to determine left & right side of engine.
 **Finished state.
 ***Dressed engine mass (weight) includes the following:

MVMA Specifications

Vehicle Line CORSICA
 Model Year 1990 Issued 6-89 Revised(*) 9-89

METRIC (U.S. Customary)

Engine Description
 Engine Code

3.1 LITER V6 (191 CID)
 MULTI-PORT FUEL INJECTION RPO LHO

ENGINE - GENERAL

Type & description (inline, V, angle, flat, location, front, mid, rear, transverse, longitudinal, sohc, dohc, ohv, hemi, wedge, pre-chamber, etc.)	60 deg. V, Front, Transverse, OHV	
Manufacturer	C-P-C Group - G.M. Corporation	
No. of cylinders	6	
Bore	89mm (3.6 in.)	
Stroke	84mm (3.4 in.)	
Bore spacing (C/L to C/L)	111.76mm (4.5 in.)	
Cyl. blk matl & mass kg(lbs.)(machined)	Cast Iron, 48.15 (107.0)	
Cylinder block deck height	224.0mm (9.0 in.)	
Cylinder block length	435.5mm (17.4 in.)	
Deck clearance (minimum) (above or below block)	0.15mm (.006 in.), ABA	
Cyl. head material & mass kg (lbs.)	Aluminum, 5.30 (11.7)	
Cylinder head volume (cu. cm.)	28.0 (1.71)	
Cylinder liner material	Not Applicable	
Head gasket thickness (compressed)	1.62mm (.062 in.)	
Minimum combustion chamber total volume (cm. cu.)	66.1	
Cyl. no. system (front to rear)	L. Bank	2-4-6
	R. Bank	1-3-5
Firing order	1-2-3-4-5-6	
Intake manifold matl & mass(kg(lbs.))**	Inlet Plenum - Aluminum Alloy, 3.5 (7.9) Inlet Manifold - Aluminum Alloy, 5.6 (12.4)	
Exh. manifold matl & mass (kg (lbs.))**	Nodular Cast Iron, Wt. Of Manifold, Fire Wall Side 3.76 (8.283); Wt. Of Other Manifold, 2.63 (5.786)	
Fuel required unleaded, diesel, etc.	Unleaded	
Fuel antiknock index (R + M) / 2	87	
Engine mounts	Quantity	2
	Matl and type (elastomeric, hydroelastic, hydraulic damper, etc.)	Elastomeric
	Added isolation (sub-frame, crossmember, etc.)	Not Applicable
Total dressed engine mass (wt) dry***		

Engine - Pistons

Material & mass, g (weight, oz.) - piston only	Aluminum Alloy, 365 (12.8)
--	----------------------------

Engine Camshaft

Location	Cylinder Block	
Material & mass kg (weight, lbs.)	Cast Iron, 3.098 (6.83)	
Drive type	Chain/belt	Chain
	Width/pitch	15.9 x 9.375mm (.625 x .369 in.)

*Rear of engine - drive takeoff. View from drive takeoff end to determine left & right side of engine.
 **Finished state.
 ***Dressed engine mass (weight) includes the following:

MVMA Specifications

Vehicle Line CORSICA
 Model Year 1990 Issued 6-89 Revised(*)

METRIC (U.S. Customary)

Engine Description	2.2 LITER L4 (133 CID)
Engine Code	THROTTLE BODY INJECTION RPO LM3

Engine - Valve System

Hydraulic lifters (std., opt., NA)	Standard	
Valves	Number intake/exhaust	4/4
	Head O.D. intake/exhaust	43.0 mm (1.69 in.) / 37.0 mm (1.46 in.)

Engine - Connecting Rods

Material & mass [kg., (weight, lbs.)]*	Forged Steel, .547 (1.2)
Length (axes centerline to centerline) mm	141.95 (5.59)

Engine - Crankshaft

Material & mass [kg., (weight, lbs.)]*	Nodular Cast Iron, 14.4 (31.7)	
End thrust taken by bearing (no.)	4	
Length & number of main bearings	5, 20.72 mm (.82 in.)	
Seal (material, one, two piece design, etc.)	Front	One Piece Fluoroelastomer
	Rear	One Piece Fluoroelastomer

Engine - Lubrication System

Normal oil pressure [kPa (psi) @ eng rpm]	435-530 (63-77) @ 1200
Type oil intake (floating, stationary)	Stationary
Oil filter sys. (full flow, part, other)	Full Flow
Capacity of c/case, less filter- refill- L (qt.)	3.8 (4.0)

Engine - Diesel Information (NOT APPLICABLE)

Diesel engine manufacturer		
Glow plug, current drain at 0 deg. F		
Injector Nozzle	Type	
	Opening pressure [kPa (psi)]	
Pre-chamber design		
Fuel injection pump	Manufacturer	
	Type	
Fuel inj. pump drive (belt, chain, gear)		
Supplementary vacuum source (type)		
Fuel heater (yes/no)		
Water separator, description (std., opt.)		
Turbo manufacturer		
Oil cooler- type (oil to engine coolant; oil to ambient air)		
Oil filter		

Engine - Intake System (NOT APPLICABLE)

Turbo charger - manufacturer	
Super charger - manufacturer	
Intercooler	

* Finished State

MVMA Specifications

Vehicle Line CORSICA
 Model Year 1990 Issued 6-89 Revised(*)

METRIC (U.S. Customary)

Engine Description	3.1 LITER V6 (191 CID)
Engine Code	MULTI-PORT FUEL INJECTION RPO LHO

Engine - Valve System

Hydraulic lifters (std., opt., NA)	Standard	
Valves	Number intake/exhaust	8/6
	Head O.D. intake/exhaust	43.64 mm (1.72 in.) / 36.20 mm (1.43 in.)

Engine - Connecting Rods

Material & mass (kg., (weight, lbs.))*	Forged Steel, .602 (1.33) Full Assembly.
Length (axes centerline to centerline)mm	144.78 (5.79)

Engine - Crankshaft

Material & mass (kg., (weight, lbs.))*	Nodular Cast Iron, 17.9 (39.5)	
End thrust taken by bearing (no.)	3	
Length & number of main bearings	** 4 Bearings	
Seal (material, one, two piece design, etc.)	Front	Viton/Steel, One Piece
	Rear	Viton/Steel, One Piece

Engine - Lubrication System

Normal oil pressure (kPa (psi) @ eng rpm)	345-450 (50-65) @ 2400
Type oil intake (floating, stationary)	Stationary
Oil filter sys. (full flow, part, other)	Full Flow
Capacity of c/case, less filter-refill-L (qt.)	3.8 (4.0)

Engine - Diesel Information (NOT APPLICABLE)

Diesel engine manufacturer		
Glow plug, current drain at 0 deg. F		
Injector Nozzle	Type	
	Opening pressure (kPa (psi))	
Pre-chamber design		
Fuel injection pump	Manufacturer	
	Type	
Fuel inj. pump drive (belt, chain, gear)		
Supplementary vacuum source (type)		
Fuel heater (yes/no)		
Water separator, description (std., opt.)		
Turbo manufacturer		
Oil cooler-type (oil to engine coolant; oil to ambient air)		
Oil filter		

Engine - Intake System (NOT APPLICABLE)

Turbo charger - manufacturer	
Super charger - manufacturer	
Intercooler	

* Finished State

** Standard measurement for width only:

For 3.1L V6; #1,4 = 29.5mm (1.18 in.); #2,3 = 24.0mm (0.96 in.)

MVMA Specifications

Vehicle Line CORSICA
 Model Year 1990 Issued 6-89 Revised(*)

METRIC (U.S. Customary)

Engine Description
 Engine Code

2.2 LITER L4 (133 CID)
 THROTTLE BODY INJECTION RPO LM3

Engine - Cooling System

Coolant recovery system (std., opt., n.a.)		Standard
Coolant fill location (rad., bottle)		Bottle, Coolant Recovery
Radiator cap relief valve pressure [kPa (psi)]		103.4 (15)
Circulation thermostat	Type (choke, bypass)	Choke
	Starts to open @ deg's C(F)	94 (199)
Water Pump	Type (centrifugal, other)	Centrifugal
	GPM 1000 pump rpm	7.3
	Number of pumps	1
	Drive (V-belt, other)	V-Belt
	Bearing type	Sealed, Ball Roller
	Impeller material	Stamped Steel
Housing material		Aluminum
By-pass recirculation (type (inter., ext.))		External - Thru Intake Manifold Internal
Cooling system capacity	With heater - L (qt.)	
	With air conditioner-L(qt.)	
	Opt. equip.(specify-L(qt.))	
Water jackets full length of cy(yes,no)		Yes
Water all around cylinder (yes, no)		Yes
Water jackets open at head face (yes,no)		Yes
Radiator core	Std., A/C, HD	Not
	Type (cross-flow, etc.)	Available
	Construction (fin & tube mechanical, braze, etc.)	
	Matl., mass (kg(wgt.,lbs.))	
	Width	
	Height	
	Thickness	
Fins per inch		
Radiator end tank material		
Fan	Std., elec., opt.	Electric
	Number of blades & type (flex, solid, material)	
	Diameter & projected width	
	Ratio(fan to crnkshft.rev.)	
	Fan cutout type	ECM Controlled
	Drive type (direct, remote)	Direct - Electric Motor
	RPM at idle (elec.)	
	Motor rating(wattage)(elec)	
	Motor switch (type & location)(elec.)	Engine Block
	Switch point (temp., pressure)(elec.)	On At 108; Off At 101
Fan shroud (material)		

MVMA Specifications

Vehicle Line CORSICA
 Model Year 1990 Issued 6-89 Revised(*) 9-89

METRIC (U.S. Customary)

Engine Description
 Engine Code

3.1 LITER V6 (191 CID)
 MULTI-PORT FUEL INJECTION RPO LHO

Engine - Cooling System

Coolant recovery system (std, opt, n.a.)		Standard
Coolant fill location (rad., bottle)		Bottle, Coolant Recovery
Radiator cap relief valve pressure [kPa (psi)]		89.6 - 103.4 (13-15)
Circulation thermostat	Type (choke, bypass)	Bypass
	Starts to open @ deg's C(F)	90 (195)
Water Pump	Type (centrifugal, other)	Centrifugal
	GPM 1000 pump rpm	12
	Number of pumps	1
	Drive (V-belt, other)	Serpentine
	Bearing type	Ball-Roller
	Impeller material	Cast Iron
Housing material		Aluminum
By-pass recirculation [type (inter., ext.)]		External, Bypass
Cooling system capacity	With heater - L (qt.)	12.33 (13.1)
	With air conditioner-L(qt.)	12.47 (13.2)
	Opt. equip. [specify-L(qt.)]	12.67 (13.4)
Water jackets full length of cy(yes,no)		No
Water all around cylinder (yes, no)		Yes
Water jackets open at head face (yes,no)		Yes
Radiator core	Std., A/C, HD	Not
	Type (cross-flow, etc.)	Available
	Construction (fin & tube mechanical, braze, etc.)	
	Matl., mass [kg(wgt., lbs.)]	
	Width	
	Height	
	Thickness	
Fins per inch		
Radiator end tank material		
Fan	Std., elec., opt.	
	Number of blades & type (flex, solid, material)	
	Diameter & projected width	
	Ratio(fan to crnkshft.rev.)	
	Fan cutout type	
	Drive type (direct, remote)	
	RPM at idle (elec.)	
	Motor rating(wattage)(elec)	
	Motor switch (type & location)(elec.)	
	Switch point (temp., pressure)(elec.)	
Fan shroud (material)		

MVMA Specifications

Vehicle Line CORSICA
 Model Year 1990 Issued 6-89 Revised(*) 9-89

METRIC (U.S. Customary)

Engine Description
 Engine Code

2.2 LITER L4 (133 CID)
 THROTTLE BODY INJECTION RPO LM3

Engine - Fuel System (See supplemental page for details of Fuel Inj, Supercharger, Turbocharger, etc. if used)

Induction type: carburetor, fuel injection system, etc.		Fuel Injection
Manufacturer		AC/Rochester Products
Carburetor no. of barrels		None
Idle A/F mix.		Preset - No Adjustment Provided
Fuel Injection	Point of inj. (no.)	Throttle Body Above Throttle Blade (Single)
	Constant, pulse, flow	Pulse
	Control (elec., mech.)	Electronic
	Sys. press. (kPa (psi))	68.95 - 92.74 (10-12)
Idle spd.--rpm (spec. neutral or drive and propane if used)	Manual	900 In Neutral
	Automatic	800 In Drive.
Intake manifold heat control (exhaust or water thermostatic or fixed)		Water
Air cleaner type		Single Snorkel
Fuel filter (type/location)		Replaceable Paper Element Located Near Fuel Tank
Fuel pump	Type (elec. or mech.)	Electrical
	Location (eng., tank)	Fuel Tank
	Press. range (kPa (psi))	Pressure Depends On Flow Rate And System Voltage
	Flow rate at regulated pressure (L (gal)/hr @ kPa (psi))	8.16 (22.5) @ 83 (12)

Fuel Tank

Capacity [refill L (gallons)]		59.0 (15.6)
Location (describe)		Under Rear Seat (Forward Of Rear Axle)
Attachment		Two Longitudinal Steel Straps
Material & Mass (kg (weight lbs.))		High Density Polyethylene, 8.92 (20.46) With Sender
Filler pipe	Location & material	Right Rear Quarter
	Connection to tank	Fuel Filler And Vent Hose Asm. With Clamps
Fuel line (material)		Steel/Nylon With Quick Connect Fittings
Fuel hose (material)		Filler Hose - Rubber
Return line (material)		Steel/Nylon With Quick Connect Fittings
Vapor line (material)		Steel/Nylon
Extended range tank	Opt., n.a.	Not Applicable
	Capacity (L (gallons))	"
	Location & material	"
	Attachment	"
Auxiliary tank	Opt., n.a.	"
	Capacity (L (gallons))	"
	Location & material	"
	Attachment	"
	Sictr switch or valve	"
	Separate fill	"

MVMA Specifications

Vehicle Line CORSICA
 Model Year 1990 Issued 6-89 Revised(*) 9-89

METRIC (U.S. Customary)

Engine Description
 Engine Code

3.1 LITER V6 (191 CID)
 MULTI-PORT FUEL INJECTION RPO LHO

Engine - Fuel System (See supplemental page for details of Fuel Inj, Supercharger, Turbocharger, etc. if used)

Induction type: carburetor, fuel injection system, etc.		Fuel Injection
Manufacturer		AC/Rochester Products
Carburetor no. of barrels		None
Idle A/F mix.		Pre-set-No Adjustment Provided
Fuel injection	Point of inj. (no.)	Fuel Injectors At Inlet Ports
	Constant, pulse, flow	Pulse
	Control (elec., mech.)	Electronic
	Sys. press. (kPa (psi))	300 (43.5)
Idle spd.-rpm (spec. neutral or drive and propane if used)	Manual	Not Applicable
	Automatic	600 In Drive.
Intake manifold heat control (exhaust or water thermostatic or fixed)		Water
Air cleaner type		Single Snorkel
Fuel filter (type/location)		Replaceable Enclosed Paper Element Located Near Fuel Tank
Fuel pump	Type (elec. or mech.)	Electrical
	Location (eng., tank)	Fuel Tank
	Press. range (kPa(psi))	Pressure Depends On Flow Rate And System Voltage
	Flow rate at regulated pressure (L (gal)/hr @ kPa (psi))	62.4 @ 350 (Figures For Wide Open Throttle) (16.51 @ 50.8)

Fuel Tank

Capacity (refill L (gallons))		59.0 (15.6)
Location (describe)		Under Rear Seat (Forward Of Rear Axle)
Attachment		Two Longitudinal Steel Straps
Material & Mass (kg (weight lbs.))		High Density Polyethylene, 8.92 (20.46) With Sender
Filler pipe	Location & material	Right Rear Quarter
	Connection to tank	Fuel Filler And Vent Hose Asm. With Clamps
Fuel line (material)		Steel/Nylon With Quick Connect Fittings
Fuel hose (material)		Filler Hose - Rubber
Return line (material)		Steel/Nylon With Quick Connect Fittings
Vapor line (material)		Steel/Nylon
Extended range tank	Opt., n.a.	Not Applicable
	Capacity (L (gallons))	"
	Location & material	"
	Attachment	"
Auxiliary tank	Opt., n.a.	"
	Capacity (L (gallons))	"
	Location & material	"
	Attachment	"
	Sictr switch or valve	"
	Separate fill	"

MVMA Specifications

Vehicle Line CORSICA
 Model Year 1990 Issued _____ Revised(*) _____

METRIC (U.S. Customary)

Engine Description
 Engine Code

2.2 LITER L4 (133 CID)
 THROTTLE BODY INJECTION RPO LM3

Vehicle Emission Control

Exhaust Emission Control	Type (air injection, engine modifications, other)		CCC Control
	Air injection	Pump or pulse	Not
		Driven by	Applicable
		Air distribution (head, manifold, etc.)	
		Point of entry	
	Exhaust Gas Recirculation	Type (controlled flow, open orifice, other)	Negative Back Pressure EGR Valve With Integral Transducer And Single Shaft Cross Hole
		Exhaust source	#4 Cylinder At Cylinder Head
	Catalytic Converter	Point of exh.inj. (spacer, carb., manifold, other)	Inlet Manifold
		Type	3-Way Monolith
		Number of	1
		Location(s)	Mounted To Center Underbody
		Volume (L/cu.in)	1.8 (110)
		Substrate type	Monolith
Noble metal type		Platinum (Pt), Rhodium (Rh)	
Crankcase Emission Control	Type (ventilates to atmosphere, induction system, other)		Induction System
	Energy source (manifold vacuum, carburetor, other)		Manifold Vacuum
	Discharges (to intake manifold, other)		Intake Manifold
	Air inlet (breather cap, other)		Air Cleaner
Evaporative Emission Control	Vapor vented to crankcase, canister, other)	Fuel tank	Canister
		Carburetor	-
Vapor storage provision		Canister	
Electronic System	Closed loop (yes/no)		Yes
	Open loop (yes/no)		No

Engine - Exhaust System

Type (single, single with cross-over, dual, other)		Single
Muffler no. & type (reverse flow, straight thru, separate resonator) Material & Mass (kg (weight lbs.))		1, Triflow. Muffler, Aluminized Steel, 6.5 (14.4)
Resonator no. & type		Not Applicable
Exhaust pipe	Branch o.d., wall thickness	"
	Main o.d., wall thickness	50.8 x 1.77 mm (2.0 x .070 in.)
	Matt. & Mass (kg(wght.lbs.))	409 Stainless Steel, 3.4 (7.6)
Inter-mediate pipe	o.d. & wall thickness	50.8 x 1.09 mm (2.0 x .043 in.)
	Matt. & Mass (kg(wght.lbs.))	Aluminized Steel, 3.0 (6.7)
Tail pipe	o.d. & wall thickness	50.8 x 1.09 mm (2.0 x .043 in.)
	Matt. & Mass (kg(wght.lbs.))	Aluminized Steel, .4 (.9)

MVMA Specifications

Vehicle Line CORSICA
 Model Year 1990 Issued 6-89 Revised(*) 9-89

METRIC (U.S. Customary)

Engine Description
 Engine Code

3.1 LITER V6 (191 CID)
 MULTI-PORT FUEL INJECTION RPO LHO

Vehicle Emission Control

Manual Transmission

Automatic Transmission

		Manual Transmission	Automatic Transmission	
Exhaust Emission Control	Type (air injection, engine modifications, other)	Air Injection	Not Applicable	
	Air injection	Pump or pulse	Pump	"
		Driven by	Belt	"
		Air distribution (head, manifold, etc..)	Exhaust Manifold	
		Point of entry	Manifold Facing Fire Wall, Single Port	
	Exhaust Gas Recirculation	Type (controlled flow, open orifice, other)	3 Sized Orifices Which Are Opened Or Closed Using, Pintles And Solenoids. 8 Flow Combination.	
		Exhaust source		
	Catalytic Converter	Point of exh.inj. (spacer, carb. manifold, other)	Plenum, Near Throttle Body	
		Type	Bed Monolith (Dual)	
		Number of	1	
		Location(s)	Mounted To Underbody	
		Volume (L/cu.in)	2.79 (170)	
		Substrate type	Ceramic Monolith	
	Crankcase Emission Control	Noble metal type	Platinum (Pt), Rhodium (Rh), Palladium (Pd)	
		Noble metal concentration (g/cu. cm.)		
Type (ventilates to atmosphere, induction system, other)		Closed Induction System		
Energy source (manifold vacuum, carburetor, other)		Plenum Vacuum		
Evaporative Emission Control	Discharges (to intake manifold, other)	Discharges To Plenum		
	Air int.(breather cap, other)	Duct Between Air Cleaner And Throttle Body		
	Vapor vented to crankcase, canister, other)	Fuel tank	Fuel Tank To Canister To Throttle Body Port	
Electronic System	Carburetor	Not Applicable		
	Vapor storage provision	Canister		
Electronic System	Closed loop (yes/no)	Yes		
	Open loop (yes/no)	No		

Engine - Exhaust System

Type (single, single with cross-over, dual, other)	Single	
Muffler no. & type (reverse flow, straight thru, separate resonator) Material & Mass (kg (wght.lbs.))	1, Triflow. Muffler, Aluminized Steel, 6.5 (14.4)	
Resonator no. & type	Not Applicable	
Exhaust pipe	Branch o.d., wall thickness	"
	Main o.d., wall thickness	50.8 x 1.77 mm (2.0 x .070 in.)
	Matl. & Mass (kg/wght.lbs.))	409 Stainless Steel, 1.9 (4.2)
Inter-mediate pipe	o.d. & wall thickness	50.8 x 1.09 mm (2.0 x .043 in.)
	Matl. & Mass (kg/wght.lbs.))	Aluminized Steel, 3.0 (6.7)
Tail pipe	o.d. & wall thickness	50.8 x 1.09 mm (2.0 x .043 in.)*
	Matl. & Mass (kg/wght.lbs.))	Aluminized Steel, .8 (1.8); W/Z54 1.0 (2.2)

* (W/Z54 57.1 x 1.09 mm (2.2 x .043 in.)

MVMA Specifications

Vehicle Line CORSICA
 Model Year 1990 Issued 6-89 Revised(*)

METRIC (U.S. Customary)

Engine Description
 Engine Code

2.2 LITER L4 (133 CID)
 THROTTLE BODY INJECTION RPO LM3

Transmissions/Transaxle (Std., Opt., N.A.)

Manual 3-speed (manufacturer/country)	-
Manual 4-speed (manufacturer/country)	-
Manual 5-speed (manufacturer/country)	Standard (MR3)
Automatic (manufacturer/country)	Optional Hydra-Matic, U.S.A. (MD9)
Auto, overdrive (manufacturer/country)	

Manual Transmission/Transaxle

Number of forward speeds	5	
Gear ratios	1st	3.73
	2nd	2.15
	3rd	1.33
	4th	.92
	5th	0.74
	Reverse	3.58
Synchronous meshing (specify gears)	1-5	
Shift lever location	Floor	
Trans. case mat'l. & mass kg (lbs)*	Aluminum, 36.5	
Lubricant	Capacity [L (pt.)]	2.0 (4.0)
	Type recommended	Synchromesh Transmission Fluid (STF)

Clutch (Manual Transmission)

Clutch manufacturer	Daikin	
Clutch type (dry, wet; single, multiple disc)	Dry Disc	
Linkage (hyd., cable, rod, lever, other)	Hydraulic	
Max. pedal effort (nom. spring load, new) N (lbs.)	Depressed	133.4 (30.0)
	Released	115.6 (26.0)
Assist (spring, power/percent, nominal)	Not Applicable	
Type pressure plate springs	Diaphragm	
Total spring load (nominal, new) N(lbs)	5391 (1212)	
Clutch facing	Facing mfr. & mat'l. coding	Daikin
	Facing mat'l. & construction	Non-Asbestos
	Rivets per facing	18
	Outside x inside dia. (nom.)	215.0 x 154.0 mm (8.46 x 6.06 in.)
	Total eff. area(sq cm(sq in))	176.6 (23.37)
	Thickness (pressure plate side/fly wheel side)	3.5 mm (.14 in.) Pressure Plate Side, 3.2 (.13) Flywheel Side
	Rivet depth (pressure plate side/fly wheel side)	1.3 mm (0.05 in.) / 1.2 mm (0.05 in.)
	Engagement cushion method	Driven Plate, Wave Spoke Springs
Release bearing type & method lub.	Self Centering, Angular Contact Ball Bearing - Prepacked & Sealed	
Torsional damping method, springs, hysteresis	Coil Springs With Non-Metal Friction Control	

* Includes shift linkage, lubricant, and clutch housing. If other specify.

MVMA Specifications

Vehicle Line CORSICA
 Model Year 1990 Issued 6-89 Revised(*)

METRIC (U.S. Customary)

Engine Description	3.1 LITER V6 (191 CID)
Engine Code	MULTI-PORT FUEL INJECTION RPO LHO

Transmissions/Transaxle (Std., Opt., N.A.)

Manual 3-speed (manufacturer/country)	
Manual 4-speed (manufacturer/country)	
Manual 5-speed (manufacturer/country)	Standard - Muncie, U.S.A. (MG2)
Automatic (manufacturer/country)	Optional - Hydra-Matic, U.S.A. (MD9)
Auto, overdrive (manufacturer/country)	

Manual Transmission/Transaxle

Number of forward speeds	5	
Gear ratios	1st	3.50
	2nd	2.05
	3rd	1.38
	4th	0.94
	5th	0.72
	Reverse	3.41
Synchronous meshing (specify gears)	1, 2, 3, 4 and 5	
Shift lever location	Floor Mount	
Trans. case mat'l. & mass kg (lbs)*	Aluminum, 41.0 (90.2)	
Lubricant	Capacity (L (pt.))	2.0 (4.2)
	Type recommended	Synchromesh Transmission Fluid (STF)

Clutch (Manual Transmission)

Clutch manufacturer	LUK	
Clutch type (dry, wet; single, multiple disc)	Dry Single Disc	
Linkage (hyd., cable, rod, lever, other)	Hydraulic	
Max. pedal effort (nom. spring load, new) N (lbs.)	Depressed	133.4 (30.0)
	Released	133.4 (30.0)
Assist (spring, power/percent, nominal)	Not Applicable	
Type pressure plate springs	Diaphragm	
Total spring load (nominal, new) N(lbs)	1382 (310.70)	
Clutch facing	Facing mfg. & matl. coding	LUK
	Facing matl. & construction	Non-Abestos
	Rivets per facing	32
	Outside x inside dia. (nom.)	232 x 156mm (9.12 x 6.12 in.)
	Total eff. area(sq cm(sq in))	232 (35.90)
	Thickness (pressure plate side/fly wheel side)	7.50 - 8.00mm (.295 - .315 in.)
	Rivet depth (pressure plate side/fly wheel side)	1.4mm (0.06 in.) / 1.4mm (0.06 in.)
Engagement cushion method	Cushion Springs	
Release bearing type & method lub.	Self Centering, Angular Contact Ball Bearing Pre-Packed & Sealed	
Torsional damping method, springs, hysteresis	Coil Springs With Non-Metal Friction Control	

* Includes shift linkage, lubricant, and clutch housing. If other specify.

MVMA Specifications

Vehicle Line CORSICA
 Model Year 1990 Issued 6-89 Revised(*) _____

METRIC (U.S. Customary)

Engine Description	2.2 LITER L4 (133 CID)
Engine Code	THROTTLE BODY INJECTION RPO LM3

○ Automatic Transmission/Transaxle

Trade Name		THM 125c (Hydra-Matic 3T40)
Type and special features (describe)		3-Speed Automatic
Gear selector	Location (column, floor, other)	Column & Floor
	Ltr./No. designation (e.g. PRND21)	P-R-N-D-2-1
	Shift interlock (yes, no, describe)	NO
Gear ratios	1st	2.84
	2nd	1.60
	3rd	1.00 (Converter Clutch Engagement)
	4th	-
	Reverse	2.07
Max. upshift speed - drive range [km/h (mph)]		1 - 2 = 46 (29) 2 - 3 = 78 (49)
Max. kickdown speed - drive range [km/h (mph)]		3 - 2 = 120 (75) 2 - 1 = 52 (32)
Min. overdrive speed [km/h (mph)]		Not Applicable
Torque converter	Number of elements	3
	Max. ratio at stall	2.35
	Type of cooling (air, liquid)	Liquid
	Nominal diameter	245 mm (9.8 in.)
	Capacity factor *K [™]	177
Lubricant	Capacity (refill L(pt.))	8.5 (17.85) (Dry Transmission)
	Type recommended	Dexron II
Oil cooler (std., opt., N.A., internal, external, air, liquid)		Standard, Integral With Radiator
Trans. mass [kg(lbs)] & case matl.**		65.7 (144.54)

○ All Wheel / 4 Wheel Drive (NOT APPLICABLE)

Desc. & type (part-time, full-time, 2/4 shift while moving, mech., elect., chain/gear, etc.)		
Transfer case	Manufacturer and model	
	Type and location	
Low-range gear ratio		
System disconnect (describe)		
Center differential	Type (bevel, planetary, w or w/o viscous bias, torsen, etc.)	
	Torque split(% frt/rear)	

* Input speed / square root of torque.
 ** Dry weight including torque converter. If other, specify.

MVMA Specifications

Vehicle Line CORSICA
 Model Year 1990 Issued 6-89 Revised(*) 9-89

METRIC (U.S. Customary)

Engine Description
 Engine Code

3.1 LITER V6 (191 CID)
 MULTI-PORT FUEL INJECTION RPO LHO

○ Automatic Transmission/Transaxle

Trade Name		THM 125c (Hydra-Matic 3T40)
Type and special features (describe)		3-Speed Automatic
Gear selector	Location (column, floor, other)	Column & Floor
	Ltr./No. designation (e.g. PRND21)	P-R-N-(D)-D-2-1
	Shift interlock (yes, no, describe)	No
Gear ratios	1st	2.84
	2nd	1.60
	3rd	1.00 (Converter Clutch Engagement)
	4th	
	Reverse	2.07
Max. upshift speed - drive range (km/h (mph))		1-2 = 74 (46) 2-3 = 127 (79)
Max. kickdown speed - drive range (km/h (mph))		3-2 = 121 (76) 2-1 = 51 (32)
Min. overdrive speed (km/h (mph))		Not Applicable
Torque converter	Number of elements	3
	Max. ratio at stall	2.35
	Type of cooling (air, liquid)	Liquid
	Nominal diameter	245mm (9.8 in.)
Lubricant	Capacity factor K^{**}	177
	Capacity (refill L (pt.))	8.5 (17.85)
Type recommended		Dexron II
Oil cooler (std., opt., N.A., internal, external, air, liquid)		Standard, Integral Part Of Radiator
Trans. mass (kg (lbs)) & case matl.**		65.7 (144.54)

○ All Wheel / 4 Wheel Drive (NOT APPLICABLE)

Desc. & type (part-time, full-time, 2/4 shift while moving, mech., elect., chain/gear, etc.)		
Transfer case	Manufacturer and model	
	Type and location	
Low-range gear ratio		
System disconnect (describe)		
Center differential	Type (bevel, planetary, w or w/o viscous bias, torsen, etc.)	
	Torque split (% frt/rear)	

* Input speed / square root of torque.
 ** Dry weight including torque converter, if other, specify.

MVMA Specifications

Vehicle Line CORSICA
 Model Year 1990 Issued 6-89 Revised(*)

METRIC (U.S. Customary)

Engine Description	2.2 LITER L4 (133 CID)
Engine Code	THROTTLE BODY INJECTION RPO LM3

○ Axle Ratio and Tooth Combinations		AUTOMATIC - MD9	MANUAL - MR3
Effective final drive ratio (or overall top gear ratio)		3.18	3.83 (2.83)
Trnsfr ratio and method(chain,gear,etc)		1.12, Chain	Not Applicable
Front drive unit	Ring gear o.d.	Not Applicable	"
	No. of teeth	"	"
	Pinion	"	"
	Ring gear	"	"

○ Front Drive Unit		
Description (integral to trans., etc.)	Planetary Final Drive Integral With Transmission	
Limited slip differential(type)	Not Applicable	
Drive pinion	Type	"
	Offset	"
No. of differential pinions	2	
Pinion/differential	Adjustment (shim, etc.)	Not Applicable
	Bearing adjustment	"
Driving wheel bearing (type)		
Lubricant	Capacity [L. (pt.)]	See Automatic Trans Spec
	Type recommended	"

○ Axle Shafts - Front Wheel Drive				
Manufacturer and number used		2		
Type (straight, solid bar, tubular, etc.)	Left	Straight Solid Bar		
	Right	Straight Solid Bar		
Outer diam. x length* x wall thickness	Manual transaxle	Left	23.81 X 320.0 (A)	27.05 X 313.5 (B)
		Right	46.5 X 663.0 (A)	27.05 X 315.5 (B)
	Automatic transaxle	Left	23.81 X 311.0 (A)	27.05 X 308.0 (B)
		Right	23.81 X 364.3 (A)	27.05 X 357.0 (B)
	Optional transaxle	Left	None	
		Right	None	
Slip yoke	Type	None		
	Number of teeth	None		
	Spline o.d.	None		
Make and mfg. no.	Inner	Saginaw Division		
	Outer	Saginaw Division		
Number used		2 On Each Drive Shaft		
Type, size, plunge	Inner	TRI-POT (C)	Cross-Groove (D) (E)	
	Outer	Rzeppa - Fixed		
Attach (u-bolt, clamp, etc.)		Splined		
Bearing	Type (plain, anti-friction)	Anti-Friction		
	Lubrication (fitting, prepack)	Prepacked		
Drive taken through (torque tube, arms or springs)		Wishbone Lower Control Arm; Upper MacPherson Strut		
Torque taken through (torque tube, arms or springs)		Engine Mounting System		

* Centerline to centerline of universal joints, or to centerline of attachment.

(SEE ATTACHED NOTES)

MVMA Specifications

Vehicle Line CORSICA
Model Year 1990 Issued 6-89 Revised(*)

METRIC (U.S. Customary)

SUPPLEMENTAL PAGE

- (A) - Shaft Size = 2300 N.m.
- (B) - Shaft Size = 2700 N.m.
- (C) - Plunge = Manual, Left - 24.84mm
Manual, Right - 33.29mm
Auto, Left - 24.51mm
Auto, Right - 25.11mm
- (D) - Plunge = Manual, Left - 21.89mm
Manual, Right - 27.59mm
Auto, Left - 24.14mm
Auto, Right - 25.29mm
- (E) - TRI-POT Same As "Auto" In Note C, Is Used With FE3 Suspension And Auto Transmission.

MVMA Specifications

Vehicle Line CORSICA
 Model Year 1990 Issued 6-89 Revised(*)

METRIC (U.S. Customary)

Engine Description	3.1 LITER V6 (191 CID)
Engine Code	MULTI-PORT FUEL INJECTION RPO LHO

○ Axle Ratio and Tooth Combinations		AUTOMATIC - MD9	MANUAL - MG2
Effective final drive ratio (or overall top gear ratio)		2.84	3.61 (2.60)
Transfr ratio and method(chain, gear, etc)		1.00, Chain	Not Applicable
Front drive unit	Ring gear o.d.	Not Applicable	"
	No. of teeth	"	"
	Pinion	"	"
	Ring gear	"	"

○ Front Drive Unit		
Description (integral to trans., etc.)	Planetary Final Drive Integral With Transmission	
Limited slip differential (type)	Not Applicable	
Drive pinion	Type	"
	Offset	"
No. of differential pinions	2	
Pinion/differential	Adjustment (shim, etc.)	Not Applicable
	Bearing adjustment	"
Driving wheel bearing (type)		
Lubricant	Capacity (L (pt.))	See Automatic Trans Spec
	Type recommended	"

○ Axle Shafts - Front Wheel Drive				
Manufacturer and number used		2		
Type (straight, solid bar, tubular, etc.)	Left	Straight Solid Bar		
	Right	Straight Solid Bar		
Outer diam. x length* x wall thickness	Manual transaxle	Left	23.81 X 320.0 (A)	27.05 X 313.5 (B)
		Right	48.5 X 663.0 (A)	27.05 X 315.5 (B)
	Automatic transaxle	Left	23.81 X 311.0 (A)	27.05 X 308.0 (B)
		Right	23.81 X 364.3 (A)	27.05 X 357.0 (B)
	Optional transaxle	Left	None	
		Right	None	
Slip yoke	Type	None		
	Number of teeth	None		
	Spline o.d.	None		
Universal joints	Make and mfg. no.	Inner	Saginaw Division	
		Outer	Saginaw Division	
	Number used	2 On Each Drive Shaft		
	Type, size, plunge	Inner	TRI-POT (C)	Cross-Groove (D) (E)
		Outer	Rzeppa - Fixed	
	Attach (u-bolt, clamp, etc.)	Splined		
Bearing	Type (plain, anti-friction)	Anti-Friction		
	Lubrication (fitting, prepack)	Prepacked		
Drive taken through (torque tube, arms or springs)		Wishbone Lower Control Arm; Upper MacPherson Strut		
Torque taken through (torque tube, arms or springs)		Engine Mounting System		

* Centerline to centerline of universal joints, or to centerline of attachment.

(SEE ATTACHED NOTES)

MVMA-90

MVMA Specifications

Vehicle Line CORSICA
Model Year 1990 Issued 6-89 Revised(*)

METRIC (U.S. Customary)

SUPPLEMENTAL PAGE

- (A) - Shaft Size = 2300 N.m.
- (B) - Shaft Size = 2700 N.m.
- (C) - Plunge = Manual, Left - 24.84mm
Manual, Right - 33.29mm
Auto, Left - 24.51mm
Auto, Right - 25.11mm
- (D) - Plunge = Manual, Left - 21.89mm
Manual, Right - 27.59mm
Auto, Left - 24.14mm
Auto, Right - 25.29mm
- (E) - TRI-POT Same As "Auto" in Note C, Is Used With FE3 Suspension And Auto Transmission.

MVMA Specifications

Vehicle Line CORSICA
 Model Year 1990 Issued 6-89 Revised(*)

METRIC (U.S. Customary)

Body Type And/Or

Engine Displacement

4-DOOR NOTCHBACK SEDANS

4-DOOR HATCHBACK SEDAN

Suspension – General Including Electronic Controls

Car leveling	Std./opt./n.a.	Not Available	
	Manual/automatic control	"	
	Type (air/hydraulic)	"	
	Primary/assist spring	"	
	Rear only/4 wheel leveling	"	
	Single/dual rate spring	"	
	Single/dual ride heights	"	
Provision for jacking		Body Pickup At Rocker Panels	
Shock absorber damping controls	Std./opt./n.a.	Not Available	
	Manual/automatic control	"	
	Number of damping rates	"	
	Type of actuation (manual/ electric motor/air, etc.)	"	
	s e n s o r s	Lateral acceleration	"
		Deceleration	"
		Acceleration	"
Road surface		"	
Shock absorber (front & rear)	Type	Front: MacPherson Strut, Rear: Double Acting Hydraulic	
	Make	Delco	
	Piston diameter	32.0 mm (1.26 in.) Front, 25.0 mm (.98 in.) Rear	
	Rod diameter	25.0 mm (.98 in.) Front, 12.7 mm (.50 in.) Rear	

Suspension – Front

Type and description		MacPherson With Coil Springs, Stamped Weldment Lower Control Arms And Nodular Iron Steering Knuckles.
Travel*	Full jounce	92.5mm (3.6 in.)
	Full rebound	84.0mm (3.3 in.)
Spring	Type (coil, leaf, other) & matl	Coil, Steel
	Insulators (type & matl)	Upper And Lower, Natural Rubber
	Size (coil design height & i.d.)	206.6 x 139.0 x 2932 x 12.9 mm (8.1 x 5.47 x 115.4 x .5 in.)
	Spring rate [N/mm (lb./in.)]	16.0 (91.0) Base And F41, 27.0 (154.0) & FE3 Sedans Only
	Rate @ wheel [N/mm (lb./in.)]	17.2 (98.0) Base And F41, 27.5 (157.0) & FE3 Sedans Only
Stabilizer	Type (link, linkless, frmless)	Link
	Material & bar diameter	Steel, 30.0 mm (1.18 in.)

Suspension – Rear

Type and description		Trailing Twist Axle With Stamped Control Arms And Open Section Transverse Beam.
Travel*	Full jounce	111.0 mm (4.37 in.)
	Full rebound	98.0 mm (3.78 in.)
Spring	Type (coil, leaf, other) & matl	Progressive Rate Coil, HR Steel
	Size (length x width, coil design height & i.d.)	290.0 x 105.0 x 2626 x 13.6 mm (11.42 x 4.13 x 103.4 x .54 in.)
	Spring rate [N/mm (lb/in)]	23 (131) Base, F40 & F41 – 28 (160)
	Rate @ wheel [N/mm (lb/in)]	14.6 (83) Base, F40 & F41 – 16.7 (95)
	Insulators (type & material)	Rubber – Top, Rubber & Urethane – Bottom
	if leaf	No. of leaves
Shackle (comp or tens)		--
Stabilizer	Type (link, linkless, frmless)	None On Base L-4. Linkless With V6 Or F41
	Material & bar diameter	Steel, 15 mm (.59 in.) Solid W/V6, 19.0 mm (.79 in.) Solid W/F41/FE3
Track bar (type)		Not Applicable

* Define load condition:

MVMA-90

MVMA Specifications

Vehicle Line CORSICA
 Model Year 1990 Issued 6-89 Revised(*)

METRIC (U.S. Customary)

Body Type And/Or

4-DOOR NOTCHBACK SEDANS

4-DOOR HATCHBACK SEDAN

Engine Displacement

Brakes - Service

Description		Single Caliper Disc Front Duo-Servo Drum Rear			
Manufacturer and brake type (std., opt., n.a.)	Front (disc or drum)	Disc			
	Rear (disc or drum)	Drum			
Valving type(prop, delay, metering, other)		Proportioning, Diagonal Split Circuit.			
Power brake (std., opt., n.a.)		Standard			
Booster type(rmt, intgrl, vac., hyd., etc.)		Tandem Vacuum			
Vacuum	Source (inline, pump, etc.)	Inline (Intake Manifold)			
	Reservoir (volume cu. in.)	None			
	Pump-type	"			
Traction Control	Operational speed range	Not Available			
	Type engine intervention	"			
Anti-lock device	Front/rear (std., opt., n.a.)	Not Available			
	Manufacturer	"			
	Type (electronic, mech.)	"			
	Number sensors or circuits	"			
	No. anti-lock hyd. circuits	"			
	Integral or add-on system	"			
	Yaw control (yes, no)	"			
Hydraulic power source		"			
Effective area (sq. cm. (sq. in.))*		493.5 (76.5)			
Gross Lng area (sq cm (sq in))**(F/R)		511.0 (79.2)			
Swept area (sq cm (sq in))*** (F/R)		1669.9 (258.9)			
Rotor	Outer working diameter	F/R	242.4 mm (9.54 in.) / --		
	Inner working diameter	F/R	149.6 mm (5.89 in.)		
	Thickness	F/R	22.4 mm (0.88 in.) / --		
	Matl & type (vented/sid)	F/R	Cast Iron, Vented / --		
Drum	Diameter & width	F/R	-- / 200 x 45 mm (7.87 x 1.77 in.)		
	Type and material	F/R	-- / Cast Iron, Non-Finned		
Wheel cylinder bore		57.0 mm (2.24 in.) / 18.0 mm (.63 in.)			
Master cylinder	Bore/stroke	F/R	22.2 mm (.87 in.) / 35.21 mm (1.39 in.)		
Pedal arc ratio		3.7:1			
Line pressure at 445 N (100 lb.) pedal load (kPa (psi))		Not Available			
Lining clearance		F/R	Self-Adjusting		
Brake lining	Front wheel	Bonded or riveted		Inboard, Outboard - Integrally Molded	
		Rivet size		Not Applicable	
		Manufacturer		Delco Moraine	
		Lining code *****		128 FE	
		Material		Semi-Metallic	
		****	Pri. or out-brd	116.7 x 42.9 x 7.9 mm (4.59 x 1.69 x .31 in.)	
		Size	Sec. or in-brd	122.0 x 41.5 x 11.2mm (4.80 x 1.63 x .44 in.)	
	Shoe thckns (no lng)		Inboard 4.85 mm (.191 in.); Outboard 3.27 mm (.129 in.)		
	Rear wheel	Bonded or riveted		Riveted, (8)	
		Manufacturer		Inland Division	
		Lining code *****		235 FE	
		Material		Organic	
		****	Pri. or out-brd	165.5 x 43.9 x 4.7 mm (6.52 x 1.73 x .19 in.)	
		Size	Sec. or in-brd	198.7 x 43.9 x 6.6 mm (7.82 x 1.73 x .26 in.)	
Shoe thckns (no lng)		1.98 mm (.07 in.)			

* Excludes rivet holes, grooves, chamfers, etc. **Includes rivet holes, grooves, chamfers, etc.
 *** Total swept area for four brakes. (Drum brake: Widest lining contact width for each brake x its contact circum.)
 (Disc brake: Square of Outer Working Dia. - Square of inner Working Dia. X Pi/2 for each brake.)
 **** Size for drum brakes includes length x width x thickness.
 ***** Manufacturer I.D., catalog for formulation designation and coefficient of friction classification.

MVMA Specifications

Vehicle Line CORSICA
 Model Year 1990 Issued 6-89 Revised(*)

METRIC (U.S. Customary)

Body Type And/Or
 Engine Displacement

4-DOOR NOTCHBACK SEDANS	4-DOOR HATCHBACK SEDAN
-------------------------	------------------------

Tires And Wheels (Standard)

Tires	Size (load range, ply)		P185/75R14 BW
	Type (bias, radial, etc.)		Steel Belted Radial
	Inflation pressure (cold) for recommended max. vehicle load	Front (kPa(psi))	240 (35)
		Rear (kPa(psi))	240 (35)
Rev/mile—at 70 km/h(45mph)			
Wheels	Type & material		Steel
	Rim (size & flange type)		14 x 6
	Wheel offset		47 (1.85)
	Attachment	Type(bolt,stud)	Stud
		Circle diameter	100.0 mm (3.94 in.)
Number & size		5-M12 x 1.5 - 6H, THD. (Metric)	
Spare	Tire and wheel		T115/70D - 14 BW, Wheel Dia. 14 x 4. Inflation 415 (60)
	Storage position & location (describe)		Flat Under Rear Load Floor

Tires And Wheels (Optional)

Tire size (load range, ply)		P195/70R14 BW
Type (bias, radial, steel, nylon, etc.)		Steel Belted Radial
Wheel (type & material)		Steel
Rim (size, flange type and offset)		14 x 6
Tire size (load range, ply)		P195/70R14 BW
Type (bias, radial, steel, nylon, etc.)		Steel Belted Radial
Wheel (type & material)		Aluminum
Rim (size, flange type and offset)		14 x 6
Tire size (load range, ply)		P205/60R15 BW
Type (bias, radial, steel, nylon, etc.)		Steel Belted Radial
Wheel (type & material)		Aluminum
Rim (size, flange type and offset)		15 x 6
Tire size (load range, ply)		P185/75R14 WW
Type (bias, radial, steel, nylon, etc.)		Steel Belted Radial
Wheel (type & material)		Steel
Rim (size, flange type and offset)		14 x 6
Spare tire and wheel size (if configuration is different than road tire or wheel, describe optional spare tire and/or wheel location & storage position)		

Brakes - Parking

Type of control		Hand Lever Assembly
Location of control		In Console Between Front Seats
Operates on		Rear Service Brakes
If separate from service brakes	Type(internal or external)	--
	Drum diameter	--
	Lining size (length x width x thickness)	--

MVMA Specifications

Vehicle Line CORSICA
 Model Year 1990 Issued 6-89 Revised(*) _____

METRIC (U.S. Customary)

Body Type And/Or
 Engine Displacement

4-DOOR NOTCHBACK SEDANS

4-DOOR HATCHBACK SEDAN

Steering

Manual (std., opt., n.a.)		Not Available		
Power (std., opt., n.a.)		Standard		
Adjustable steering wheel/ column (tilt, telescope, other)	Type	Tilt		
	Manufacturer	Saginaw Division		
	(std., opt., n.a.)	Optional		
Wheel diameter ** (W9) SAE J1100	Manual	--		
	Power	378-381mm (14.88 - 15.00 in.)		
Turning diameter m (ft.)	Out-side front	Wall to wall (l. & r.)	11.72 (38.46)	
		Curb to curb (l. & r.)	10.83 (35.54)	
	In-side rear	Wall to wall (l. & r.)	Not Available	
		Curb to curb (l. & r.)	Not Available	
Scrub Radius *		--		
Manual	Gear	Type	Not Available	
		Manufacturer	--	
		Ratios	Gear	--
			Overall	--
	No. wheel turns(stop to stop)		--	
Power	Type (hydraulic, elec., etc.)		Hydraulic	
	Manufacturer		Saginaw Division	
	Gear	Type	Rack And Pinion W/Center Take-Off Tie Rods - Integral	
		Ratios	Gear	Not Applicable
			Overall	16.12:1 Base (On Center) 13.96:1 F41/FE3 (On Center)
	Pump (drive)		Belt Off Crankshaft Pulley	
No. wheel turns(stop to stop)		2.88 Base 2.50 F41/FE3		
Linkage	Type		Center Take Off Tie Rods, Rack And Pinion	
	Location (front or rear of wheels, other)		Rear	
	Tie Rods (one or two)		2	
Steering axis	Inclination at camber (deg.)		14 at +0.5	
	Bear-ings (type)	Upper	Strut Mount	
		Lower	Ball Joint	
		Thrust	Not Applicable	
Steering spindle/knuckle & joint type		-		
Wheel spindle/ hub	Dia-meter	Inner bearing	"	
		Outer bearing	"	
	Thread (size)		M20 x 1.5	
	Bearing (type)		Integral Double Row Ball, Permanently Lubricated	

* The horizontal distance in the front elevation between wheel centerline and kingpin (ball joint) axis at ground.
 -- See Page 22.

MVMA Specifications

Vehicle Line CORSICA
 Model Year 1990 Issued 6-89 Revised(*)

METRIC (U.S. Customary)

Body Type And/Or Engine Displacement 4-DOOR NOTCHBACK SEDANS 4-DOOR HATCHBACK SEDAN

Wheel Alignment

Front wheel at curb mass (wt.)	Service checking	Caster (deg.)	Not Adjustable
		Camber (deg.)	.6 (+/-) .6 Base/F41, -.2 (+/-) .6 FE3
		Toe-in (outside track-mm (in.))	0 +/- .10
Front wheel at curb mass (wt.)	Service reset*	Caster (deg.)	Not Adjustable
		Camber (deg.)	.6 (+/-) .6 Base/F41, -.2 (+/-) .6 FE3
		Toe-in (deg.)	0 (+/-) .10
Front wheel at curb mass (wt.)	Periodic M.V. inspection	Caster (deg.)	Not Adjustable
		Camber (deg.)	--
		Toe-in (deg.)	--
Rear wheel at curb mass (wt.)	Service checking	Camber (deg.)	Not Applicable
		Toe-in (outside track-mm (in.))	"
	Service reset*	Camber (deg.)	"
		Toe-in (deg.)	"
	Periodic M.V. inspection	Camber (deg.)	"
		Toe-in (deg.)	"

* Indicates pre-set, adjustable, trend set or other.

Electrical - Instruments and Equipment

Base Cluster

Optional Gauge Cluster

Speedometer	Type (analog, digital, std., opt.)	Half Circle Electric Analog Dial W/Pointer
	Trip odometer (std., opt., n.a.)	Not Available
EGR maintenance indicator		Standard
Charge indicator	Type	Tell-Tale Warning Light
	Warning device (light, audible)	Inherent
Temperature indicator	Type	Tell-Tale Warning Light
	Warning device	Inherent
Oil pressure indicator	Type	Tell-Tale Warning Light
	Warning device	Inherent
Fuel indicator	Type	Electric Gauge W/Pointer
	Warning device	Not Available
Windshield wiper	Type (standard)	Electric 2-Speed
	Type (optional)	Intermittent Windshield Wiper System
	Blade length	482.6 mm (19.0 in.)
	Swept area [sq cm (sq in)]	628.6 (965.4)
Windshield washer	Type (standard)	Wet-Arm System, Sliding Switch On RH Instrument Cluster Pod
	Type (optional)	Not Available
	Fluid level indicator	"
Rear window wiper, wiper/washer (std., opt., n.a.)		"
Horn	Type	Vibrator
	Number used	One ('F' Note) ('A' Note Optional In Addition)
Other	Headlamp-on Warning	Standard, Chimes

MVMA Specifications

Vehicle Line CORSICA
 Model Year 1990 issued 6-89 Revised(*)

METRIC (U.S. Customary)

Engine Description
 Engine Code

2.2 LITER L4 (133 CID)
 THROTTLE BODY INJECTION RPO LM3

Electrical - Supply System

Battery	Manufacturer	Delco Remy
	Model, std., (opt.)	
	Voltage	12
	Amps at 0 deg F cold crnk	630
	Minutes-reserve capacity	90
	Amps/hrs. - 20 hr. rate	
Alternator	Location	Engine Compartment
	Manufacturer	Delco Remy
	Rating (idle/max. rpm)	
	Ratio (alt. crank/rev.)	
	Output at idle (rpm, park)	
Regulator	Optional (type & rating)	
	Type	Integral With Alternator

Electrical - Starting System

Motor	Manufacturer	Delco Remy
	Current drain -20 deg F	320 Amps
	Power rating (kw (hp))	1.4 (1.9)
Motor drive	Engagement type	Solenoid Operated Shift Lever
	Pinion engages from (front, rear)	Front

Electrical - Ignition System

Type	Electronic (std, opt, n.a.)	Electronic - Direct Ignition	
	Other (specify)	-	
Coil	Manufacturer	Delco Remy	
	Model		
	Current	Engine stopped-A	Not Applicable
		Engine idling - A	"
Spark plug	Manufacturer	AC Spark Plug	Champion Spark Plug
	Model	R44LTSM	RS13LYC
	Thread (mm)	14 x 1.25	14 x 1.25
	Tightening torque (Newton meters (lb. ft.))	10-20 (7-15)	10-20 (7-15)
	Gap	0.8 mm (0.035 in.)	0.9 mm (0.035 in.)
	Number per cylinder	1	1
	Distributor	Manufacturer	Not
Model		Applicable	

Electrical - Suppression

Locations & type	Not Available
------------------	---------------

MVMA Specifications

Vehicle Line CORSICA
 Model Year 1990 Issued 6-89 Revised(*) _____

METRIC (U.S. Customary)

Engine Description
 Engine Code

3.1 LITER V6 (191 CID)
 MULTI-PORT FUEL INJECTION RPO LHO

Electrical - Supply System

Battery	Manufacturer	Delco Remy
	Model, std., (opt.)	Standard
	Voltage	12
	Amps at 0 deg F cold crnk	525
	Minutes-reserve capacity	90
	Amps/hrs. - 20 hr. rate	54
	Location	Engine Compartment
Alternator	Manufacturer	Delco Remy
	Rating(idle/max rpm drive)	42/105 Amps
	Ratio (alt. crank/rev.)	2.75
	Output at idle (rpm, park)	54
Regulator	Optional (type & rating)	None
Regulator	Type	Integral With Alternator

Electrical - Starting System

Motor	Manufacturer	Delco Remy
	Current drain -20 deg F	350 Amps
	Power rating (kw (hp))	1.4 (1.9)
Motor drive	Engagement type	Solenoid Operated Shift Lever
	Pinion engages from (front, rear)	Front

Electrical - Ignition System

Type	Electronic (std, opt, n.a.)	Electronic - Direct ignition	
	Other (specify)		
Coil	Manufacturer	Delco Remy	
	Model		
	Current	Engine stopped-A	Not
		Engine idling - A	Applicable
Spark plug	Manufacturer	AC/Rochester Products	
	Model	R43CTLSF	
	Thread (mm)	14 x 1.25	
	Tightening torque (Newton meters (lb. ft.))	9-20 (7-15)	
	Gap	1.14mm (.045 in.)	
	Number per cylinder	1	
Distributor	Manufacturer	Not	
	Model	Applicable	

Electrical - Suppression

Locations & type	Not Available
------------------	---------------

MVMA Specifications

Vehicle Line CORSICA
 Model Year 1990 Issued 6-89 Revised(*) _____

METRIC (U.S. Customary)

Body Type 4-DOOR NOTCHBACK SEDANS 4-DOOR HATCHBACK SEDAN

Body	
Structure	Unitized Body Construction Including Front End Structure With Bolted-On Fenders And Hood.
Bumper System Front - Rear	Bumper Fascias Are Attached To Steel Impact Bar And Dual Energy Absorbers For Collision Energy Absorption. (Meets G.M. 5 mph Impact Standard).
Anti-Corrosion Treatment	Special Anti-Corrosion Materials Are Used On Interior And Exterior Metal Panel Surfaces. Materials Include One And Two-Sided Galvanized, ELPO Coating, Primers, Protective Waxes And Sealers Are Used On Interior Surfaces.

Body - Miscellaneous Information

Type of finish (lacquer, enamel, other)	High Solids Base Coat/Clear Coat Enamel	
Hood	Material & mass	Two Sides Galvanized Steel, 17.23 kg (38.0 lbs)
	Hinge location (front, rear)	Rear
	Type (counterbalance, prop)	Prop
	Release control (int., ext.)	Internal
Trunk lid	Material & mass	Two Sides Galvanized Steel
	Type (counterbalance, other)	Torsion Rods
	Internal release control (elec., mech., n.a.)	Electrical - Optional
Hatch-back lid	Material & mass	Two Sides Galv. Steel W/Att. S.M.C. Beavertail Asm, Glass & Plastic Mldgs.
	Type (counterbalance, other)	Gas Struts
	Internal release control (elec., mech., n.a.)	Electric - Optional
Tailgate	Material & mass	Not Applicable
	Type (drop, lift, door)	"
	Internal release control (elec., mech., n.a.)	"
Vent window control (crank, friction, pivot, power)	Front	None
	Rear	"
Window regulator type (cable, tape, flex drive, etc.)	Front	Not Applicable
	Rear	"
Seat cushion type (e.g., 60/40, bucket, bench wire, foam, etc.)	Front	Bucket With Polyurethane Padding
	Rear	Bench With Polyurethane Padding
	3rd seat	Not Applicable
Seat back type (e.g., 60/40, bucket, bench, wire, foam, etc.)	Front	Reclining Bucket With Polyurethane Padding
	Rear	Fixed Bench With Polyurethane Padding*, **
	3rd seat	Not Applicable
		* Full-Folding Rear Seat For Hatchback, ** Corsica LTZ & B18 Optional Trim Receive 60/40 Seat, 60/40 Split

Folding Rear Seat Standard

MVMA Specifications

Vehicle Line CORSICA
 Model Year 1990 Issued 6-89 Revised(*) _____

METRIC (U.S. Customary)

Body Type

4-DOOR NOTCHBACK SEDANS

4-DOOR HATCHBACK SEDAN

Restraint System

Seating Position			Left	Center	Right
Active	Type & description (lap & shoulder belt, lap belt, etc.)	First seat			
		Second seat			
		Third seat			
	Standard/optional				
Passive	Type & description (air bag, motorized-2-point belt, fixed belt, knee bolster, manual-lap belt)	First seat	3-Point Door Mounted Passive System		3-Point Door Mounted Passive System
		Second seat	3-Point Active Belt	Adjustable Latch 2 Point Belt (Non-Retractor)	3-Point Active Belt
		Third seat			
	Standard/optional				

Glass		SAE Ref No	
Windshield glass exposed surface area (sq. cm. (sq. in.))	S1	6913 (1382)	
Side glass exposed surface area (sq. cm. (sq. in.)) - total 2 - sides	S2	11553 (1791)	
Backlight glass exposed surface area (sq. cm. (sq. in.))	S3	Not Available	13,870 (2150)
Total glass exposed surface area (sq. cm. (sq. in.))	S4	Not Available	34,336 (5323)
Windshield glass (type)		Laminated	
Side glass (type)		Tempered	
Backlight glass (type)		Tempered	

Headlamps

Description - sealed beam, halogen, replaceable bulb, etc.	Halogen, Replaceable Bulb. Rectangular
Shape	Rectangular
Lo-beam type (2A1, 2B1, 2C1, etc.)	HB3
Quantity	2
Hi-beam type (1A1, 2A1, 1C1, 2C1, etc.)	HB4
Quantity	2

Frame

Type and description (separate frame, unitized frame, partially-unitized frame)	Body-Frame Integral With Bolt-On Powertrain Cradle.
---	---

MVMA Specifications

Vehicle Line CORSICA
 Model Year 1990 Issued 6-89 Revised(*)

METRIC (U.S. Customary)

Body Type

4-DOOR NOTCHBACK SEDANS 4-DOOR HATCHBACK SEDAN

Convenience Equipment (standard, optional, n.a.)

Air conditioning (manual, auto, temp control)	Optional (Manual Control)	
Clock (digital, analog)	Digital (Integ. W/Stereo Radios)	
Compass / thermometer	Not Available	
Console (floor, overhead)	Optional, Full Floor, Overhead Console*	
Defroster, elec. backlight	Optional	
Electronic	Diagnostic monitor (integrated, individual)	Not Available
	Instrument cluster (list instruments)	"
	Keyless entry	"
	Tripminder (avg. spd. fuel)	"
	Voice alert (list items)	"
	Other	"
Fuel door lock (remote, key, electric)	Not Available	
Lamps	Auto head on/off delay, dimming	"
	Cornering	"
	Courtesy (map, reading)	Standard, Map Reading Optional
	Door lock, Ignition	Not Available
	Engine compartment	"
	Fog	Not Available
	Glove compartment	"
	Trunk	Standard
	Illuminated entry system (list lamps, activation)	
Other	Ash Tray Lamp Standard	
Mirrors	Day / night (auto, man.)	Standard (Manual)
	L.H. (remote, pwr., heated)	Standard (Remote)
	R.H.(convex, rmt, pwr, htd)	Standard (Manual Convex)
	Visor vanity (RH/LH illum.)	Visor Mirror R.H. **
Navigation system (describe)	Not Available	
Prkg. brake-auto release (warn. light)	Standard (Manual Release) Lower Area Of Speedometer	

** - Available In Optional Custom Interior (RPO B18)

MVMA Specifications

Vehicle Line CORSICA
 Model Year 1990 Issued 6-89 Revised(*) _____

METRIC (U.S. Customary)

Engine Description	4-DOOR NOTCHBACK SEDANS	4-DOOR HATCHBACK SEDAN
Engine Code		

Convenience Equipment (standard, optional, n.a.)

Power equipment	Deck lid(release, pull down)		Optional Power Release
	Door locks (manual, auto., describe system)		Optional Manual Power Door Locks
	Seats	2 - 4 - 6 way, etc.	Manual 4-Way Adjuster Std. LH/Opt. RH
		Reclining(R.H., L.H.)	Manual Recliner Std. LH & RH
		Memory (R.H., L.H., preset, recline)	
		Lumbar, hip, thigh, support	Pneumatic Lumbar Adj. Std. In LTZ Driver's Seat
		Heated (R.H., L.H., other)	
	Side windows		Optional*
	Vent windows		Not Available
	Rear windows		"
Radio systems	Antenna (location, whip, w/shield, power)		Front Fender - R.H., Fixed Mast Standard
	Stan.		Electronically Tuned AM/FM Stereo Radio With Seek And Scan And Clock. Included Dual Front And Extended Range Rear Speakers.
	Opt.	AM, FM, stereo, tape, compact disc, graphic equalizer, theft deterrent, radio prep package, headphone jacks, etc.	UM6** Electronically Tuned AM/FM Stereo With Cassette, Seek And Scan And Clock. Includes Dual Front And Extended Range Rear Speakers. UX1** Electronically Tuned AM Stereo/FM Stereo With Cassette, Seek And Scan, Clock And Graphic Equalizer. Includes Dual Front And Extended Range Rear Speakers.
	Speaker (number, location)		4 Speakers; 2 In Front And Two In Rear
Roof: open air or fixed (flip-up, sliding, 'T')			Not Available
Speed control device			Optional***
Speed warn. dev. (light, buzzer, etc.)			Not Available
Tachometer (rpm)			Optional @
Telephone system (describe)			Not Available
Theft deterrent system			Auto. Trans. - Lock Mounted On Steering Column; Locks Steering Wheel, Auto Trans. Shift Lever And Ignition. Manual Trans. - Lock Mounted On Steering Column; Locks Steering Wheel And Ignition. Plus Anti-Theft Design Door Lock Buttons.

@ - Available Together With Voltmeter, Temperature And Oil Pressure Gauges And Trip Odometer (RPO UB3).

* - Requires AU3 Power Locks.

* - Requires C60 Air Conditioning.

*** - Requires N33 Tilt Steering Wheel

MVMA Specifications

Vehicle Line CORSICA
 Model Year 1990 Issued 6-89 Revised(*) 9-89

METRIC (U.S. Customary)

Vehicle Dimensions See Key Sheets for definitions

All dimensions to ground are for comparative purposes only. Dimensions are to be shown for all base body models of each vehicle line. SAE Ref. no. refers to the definition published in SAE Recommended Practice J1100 'Motor Vehicle Dimensions,' unless otherwise specified.

Body Type

4-DOOR NOTCHBACK SEDANS 4-DOOR HATCHBACK SEDAN

Width	SAE Ref. No.	
Tread (front)	W101	1417 (55.8)
Tread (rear)	W102	1404 (55.3)
Vehicle width	W103	1733 (68.2)
Body width at Sg RP (front)	W117	1726 (68.0)
Vehicle width (front doors open)	W120	3314 (130.5)
Vehicle width (rear doors open)	W121	3404 (134.0)
Tumble-home (deg.)	W122	24.0
Outside mirror width	W410	

Length	SAE Ref. No.	
Wheelbase	L101	2627 (103.4)
Vehicle length	L103	4859 (183.4)
Overhang (front)	L104	975 (38.4)
Overhang (rear)	L105	1057 (41.6)
Upper structure length	L123	2856 (104.6)
Rear wheel C/L 'X' coordinate	L127	2410 (94.9)

Height **	SAE Ref. No.		
Passenger distribution (front/rear)	PD1,2,3		**
Trunk/cargo load			**
Vehicle height	H101	1368 (53.8)	
Cowl point to ground	H114	951 (37.4)	
Deck point to ground	H138	1053 (41.5)	
Rocker panel-front to ground	H112	221 (8.7)	
Rocker panel-rear to ground	H111	220 (8.7)	
Windshield slope angle (deg.)	H122	60.5	
Backlight slope angle (deg.)	H121	60.5	

Ground Clearance **	SAE Ref. No.	
Front bumper to ground	H102	322 (12.7)
Rear bumper to ground	H104	354 (13.9)
Bumper to ground (front at curb mass (wt.))	H103	336 (13.2)
Bumper to ground (rear at curb mass (wt.))	H105	396 (15.6)
Angle of approach (deg.)	H106	14.3
Angle of departure (deg.)	H107	18.7
Ramp breakover angle (deg.)	H147	5.8
Axle differential to ground (front/rear)	H153	Not Available
Min. running ground clearance	H158	149 (5.9)
Location of min. run. grd. clear.		

** All Vehicle Height And Ground Clearance Are Made Using EPA Loaded Vehicle Weight, Loading Conditions.

EPA Loaded Vehicle Weight is the Base Vehicle Weight Plus All Coolant and Fluids Necessary For Operation Plus 100% Of The Fuel Capacity, Plus The Weight Of All Options And Accessories Which Weigh Three Pounds Or More And Which Are Sold On At Least 33% Of The Car Line, Plus Two Occupants.

All linear dimensions are in millimeters (inches)

MVMA Specifications

Vehicle Line CORSICA
 Model Year 1990 Issued 6-89 Revised(*)

METRIC (U.S. Customary) Vehicle Dimensions

See Key Sheets for Definitions

Body Type

4-DOOR NOTCHBACK SEDANS 4-DOOR HATCHBACK SEDAN

○ Front Compartment	SAE Ref. No.	SEDAN	SEDAN	HATCHBACK
		LEVEL II TRIM	LEVEL I & III TRIM	
SgRP front, 'X' coordinate	L31	1138 (44.8)	1138 (44.8)	
Effective head room	H61	968 (38.1)	974 (38.3)	
Max. eff. leg room (accelerator)	L34	1103 (43.4)	1105 (43.5)	
SgRP to heel point	H30	248 (9.8)	241 (9.5)	
SgRP to heel point	L53	909 (35.8)	909 (35.8)	Hatchback
Back angle (deg.)	L40	26.5	26.5	Front Seat
Hip angle (deg.)	L42	103.5	103.0	Dimensions
Knee angle (deg.)	L44	137.0	136.0	Are Same As
Foot angle (deg.)	L46	87.0	87.0	Sedan
Design H-point front travel	L17	224 (8.8)	221 (8.7)	(Varies
Normal driving & riding seat track trvl.	L23	200 (7.9)	198 (7.6)	By Trim
Shoulder room	W3	1408 (55.4)	1138 (44.8)	Level)
Hip room	W5	1294 (50.9)	1276 (50.2)	
*** Upper body opening to ground	H50	935 (36.8)	935 (36.8)	
Steering wheel maximum diameter*	W9	382 (15.0)	381.5 (15.0)	
Steering wheel angle (deg.)	H18	18.5	18.5	
Accel. heel pt. to steer. whl. cntr	L11	Not Available	Not Available	
Accel. heel pt. to steer. whl. cntr	H17	"	"	
Undepressed floor covering thickness	H67	14.0 (0.6)	14.0 (0.6)	

Front Compartment Int. Dim. Are Measured With The Seating Ref. Pt.

○ Rear Compartment	SAE Ref. No.	mm Forward And		mm Upward of Rearmost Position.
		(SgRP)		
SgRP point couple distance	L50	787 (31.0)		787 (31.0)
Effective head room	H63	950 (37.4)		952 (37.5) 954 (37.6)
Min. effective leg room	L51	890 (35.0)		890 (35.0) 890 (35.0)
SgRP (second to heel)	H31	265 (10.4)		265 (10.4)
Knee clearance	L48	22 (0.9)		22 (0.9)
Shoulder room	W4	1412 (55.6)		1410 (55.5) 1414 (55.7)
Hip room	W6	1300 (51.2)		1300 (51.2) 1374 (54.1)
*** Upper body opening to ground	H51	807 (31.8)		942 (37.1)
Back angle (deg.)	L41	24.5		24.5
Hip angle (deg.)	L43	88.0		82.0
Knee angle (deg.)	L45	88.0		88.0
Foot angle (deg.)	L47	122.5		122.5
Depressed floor covering thickness	H73	20 (0.8)		20 (0.8)

Luggage Compartment

Usable luggage capacity [L (cu. ft.)]	V1	382.6 (13.51)	(A)
*** Litter height	H185	887 (34.9)	

Interior Volumes (EPA Classification)

Vehicle class		Compact
Interior volume index (cu. ft.)**		108.6
Trunk / cargo index (cu. ft.)		13.5

* See page 14.

** Includes passenger and trunk / cargo index - see definition page 32.

*** EPA Loaded Vehicle Weight, Loading Conditions

All Linear Dimensions Are In Millimeters (Inches)

(A) (23.57 cu.ft./Rr. Seat Up); (39.11 cu.ft./Rr. Seat Folded)

MVMA Specifications

Vehicle Line CORSICA
 Model Year 1990 Issued 6-89 Revised(*)

METRIC (U.S. Customary)

Vehicle Dimensions

See Key Sheets for Definitions

Body Type

4-DOOR NOTCHBACK SEDANS 4-DOOR HATCHBACK SEDAN

Station Wagon - Third Seat

SAE Ref. No. (NOT APPLICABLE)

Seat facing direction	SD1
SgRP couple distance	L85
Shoulder room	W85
Hip Room	W88
Effective leg room	L88
Effective head room	H88
SgRP to heel point	H87
Knee clearance	L87
Back angle	L88
Hip angle	L89
Knee angle	L90
Foot angle	L91

Station Wagon - Cargo Space

(NOT APPLICABLE)

Cargo length (open front)	L200
Cargo length (open second)	L201
Cargo length (closed front)	L202
Cargo length (closed second)	L203
Cargo length at belt (front)	L204
Cargo length at belt (second)	L205
Cargo width (wheelhouse)	W201
Rear opening width at floor	W203
Opening width at belt	W204
* Min. rear opening width above belt	W205
Cargo height	H201
Rear opening height	H202
Tailgate to ground height	H250
Front seat back to load floor height	H197
Cargo volume index [cu. m.(cu.ft.)]	V2
Hidden cargo vol. index [cu.m.(cu.ft.)]	V4
Cargo volume index-rear of 2-seat	V10

Hatchback - Cargo Space

Cargo length at front seatback height	L208	Not	1722 (67.80)
Cargo length at floor (front)	L209	Applicable	1758 (69.21)
Cargo length at second seatback height	L210	"	862 (33.94)
Cargo length at floor (second)	L211	"	1069 (42.09)
Front seatback to load floor height	H197	"	451 (17.76)
Second seatback to load floor height	H198	"	490 (19.29)
Cargo volume index [cu. m. (cu. ft.)]	V3	"	1.11 (39.12)
Hidden cargo vol. index [cu.m.(cu.ft.)]	V4	"	Not Applicable
Cargo volume index-rear of 2-seat	V11	"	.667 (23.57)

* EPA Loaded Vehicle Weight, Loading Conditions
 All Linear Dimensions Are in Millimeters (Inches)

MVMA Specifications

Vehicle Line CORSICA
 Model Year 1990 Issued 6-89 Revised(*) _____

METRIC (U.S. Customary)

Body Type	4-DOOR NOTCHBACK SEDANS	4-DOOR HATCHBACK SEDAN
-----------	-------------------------	------------------------

Vehicle Fiducial Marks

Number*	Define Coordinate Location	
Front	X	Fiducial Mark To Vertical Zero Grid Line - Front Measured Horizontally, From The Zero Grid Line To The Front Fiducial Mark Located On Top Of The Front Seat Adjuster Mounting Bolt.
	Y	Fiducial Mark To Centerline Of Car - Front, Width Measurement Made From Centerline Car To Fiducial Mark Located On Top Of The Front Seat Adjuster Mounting Bolt.
	Z	Fiducial Mark To Horizontal Zero Grid Line - Front, Measured Vertically From Zero Grid Line To Front Fiducial Mark Located On Top Of The Front Seat Adjuster Mounting Bolt.
Rear	X	Fiducial Mark To Vertical Zero Grid Line - Rear, Measured Horizontally From The Zero Grid Line To Rear Fiducial Mark Located On The Rail (Compartment Pan - Longitudinal).
	X	Fiducial Mark To Centerline Of Car - Rear, Width Measurement Made From Centerline Of Car To Fiducial Mark Located On The Rail (Compartment Pan - Longitudinal).
	Z	Fiducial Mark To Horizontal Zero Grid Line - Rear, Measured Vertically From The Zero Grid Line To Rear Fiducial Mark Located On The Rail (Compartment Pan - Longitudinal).
Fiducial Mark Number		
Front	W21*	346 (13.6)
	L54*	2760 (108.7)
	H81*	2001 (7.9)
	H161*	Not Available
	** H163*	"
Rear	W22*	440 (17.3)
	L55*	4953 (195.0)
	H82*	362 (14.3)
	H162*	Not Available
	** H164*	"

* Reference - SAE Recommended Practice, J162, Motor Vehicle Fiducial Marks.

** EPA Loaded Vehicle Weight, Loading Conditions
 All Linear Dimensions Are in Millimeters (Inches)

MVMA Specifications

METRIC (U.S. Customary)

Vehicle Line CORSICA
 Model Year 1990 Issued 6-89 Revised(*)

		Optional Equipment Differential Mass (weight)*			
Code	Equipment	MASS, kg. (lb.)			Remarks Restrictions, Requirements
		Front	Rear	Total	
AU3	Power Door Lock System	1.2 (2.6)	1.8 (4.0)	3.0 (6.6)	
A31	Power Windows	1.4 (3.1)	2.2 (4.8)	3.6 (7.9)	
A78	4-Way Mechanical Front - Passenger Seat Adjuster	.8 (1.8)	1.0 (2.2)	1.8 (4.0)	
A90	Power Trunk Opener	-.2 (-0.4)	1.0 (2.2)	.8 (1.8)	
B18	Custom Interior	1.0 (2.2)	1.0 (2.2)	2.0 (4.4)	
B34	Floor Mats - Front	1.0 (2.2)	.2 (0.4)	1.2 (2.6)	
B35	Floor Mats - Rear	.2 (0.4)	.4 (0.9)	.6 (1.3)	
CD4	Intermittent Windshield Wiper System	.2 (0.4)	0 (0)	.2 (0.4)	
C49	Electric Rear Window Defogger	0 (0)	.6 (1.3)	.6 (1.3)	
C60	Air Conditioning	20.4 (45.0)	-1.4 (-3.1)	19.0 (41.9)	With RPO LL8 Engine & MR3
		20.0 (44.1)	-1.4 (-3.1)	18.6 (41.0)	With RPO LB6 Engine & MG2
D55	Full Floor Console	1.8 (4.0)	1.2 (2.6)	3.0 (6.6)	

* Also see Engine - General Section for dressed engine mass (weight).

MVMA Specifications

METRIC (U.S. Customary)

Vehicle Line CORSICA
 Model Year 1990 Issued 6-89 Revised(*)

Optional Equipment Differential Mass (weight)*

Code	Equipment	MASS, kg. (lb.)			Remarks Restrictions, Requirements
		Front	Rear	Total	
F40	Heavy Duty Front And Rear Suspension	1.4 (3.1)	1.0 (2.2)	2.4 (5.3)	
F41	Sport Suspension	2.0 (4.4)	1.4 (3.1)	3.4 (7.5)	Included on 'LT' Model (Z11)
K05	Engine Block Heater	.2 (0.4)	0 (0)	.2 (0.4)	
K34	Electronic Speed Control (W/Resume Speed)	1.8 (4.0)	0 (0)	1.8 (4.0)	
LB6	2.8 Liter V6 Engine	46.0 (101.4)	-3.0 (-6.6)	43.0 (94.8)	With Manual Transmission
		38.2 (84.2)	-3.2 (-7.0)	35.0 (77.2)	With Automatic Transmission
MX1	Automatic Transmission	18.4 (40.6)	-1.4 (-3.1)	17.0 (37.5)	With RPO LL8 Engine
		28.6 (63.9)	-1.8 (-4.0)	26.8 (59.0)	With RPO LB6 Engine
N33	Comfortilt Steering Wheel	.4 (0.9)	.2 (0.4)	.6 (1.3)	
PD8	Aluminum Wheels - 14"	-4.4 (-9.7)	-4.4 (-9.7)	-8.8 (-19.4)	
PC4	Styled Steel Wheels - 14"	-.8 (-1.8)	-.8 (-1.8)	-1.6 (-3.6)	
	P185/75R14 WW	2.6 (5.7)	2.6 (5.7)	5.2 (11.4)	

* Also see Engine - General Section for dressed engine mass (weight).

MVMA Specifications

METRIC (U.S. Customary)

Vehicle Line CORSICA
 Model Year 1990 Issued 6-89 Revised(*) _____

		Optional Equipment Differential Mass (weight)*			
Code	Equipment	MASS, kg. (lb.)			Remarks Restrictions, Requirements
		Front	Rear	Total	
	P195/70R14 Tires	2.6 (5.7)	2.6 (5.7)	5.2 (11.4)	
UA1	Heavy Duty Battery	3.0 (6.6)	-4 (-0.9)	2.6 (5.7)	Required With Auto. Trans. On L4. Mandatory For Canada.
UM6	AM/FM Stereo Radio, Cassette Player With Clock	.8 (1.8)	.2 (0.4)	1.0 (2.2)	
UM7	AM/FM Stereo Radio With Clock	.2 (0.4)	0 (0)	.2 (0.4)	
UX1	AM/FM Stereo Radio, Cassette Player, Graphic Equalizer With Clock	1.8 (4.0)	.2 (0.4)	2.0 (4.4)	
UO5	Dual Note Horns	.4 (0.9)	0 (0)	.4 (0.9)	
VK3	Front License Plate Mounting	.4 (0.9)	0 (0)	.4 (0.9)	
V56	Deck Lid Luggage Rack (Black)	.8 (1.8)	2.8 (6.2)	3.6 (8.0)	
Z11	'Corsica LT' Option	1.6 (3.5)	1.6 (3.5)	3.2 (7.0)	

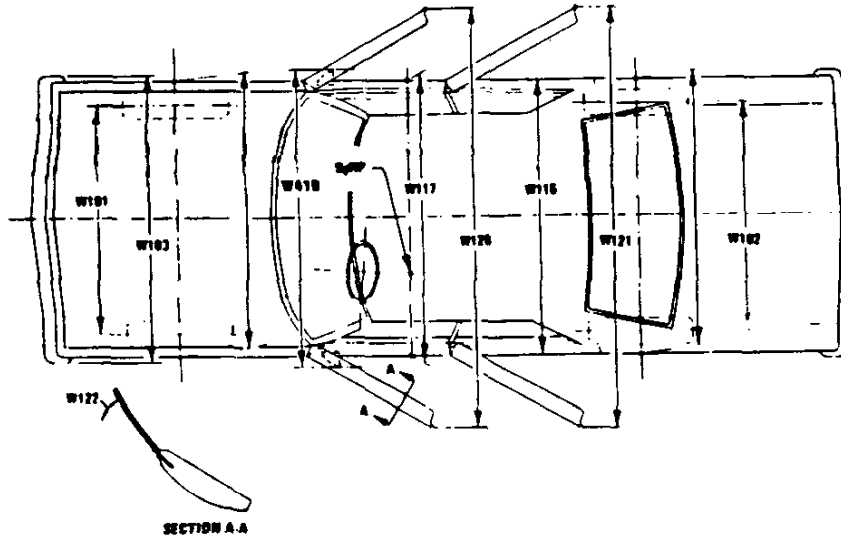
* Also see Engine - General Section for dressed engine mass (weight).

MVMA Specifications

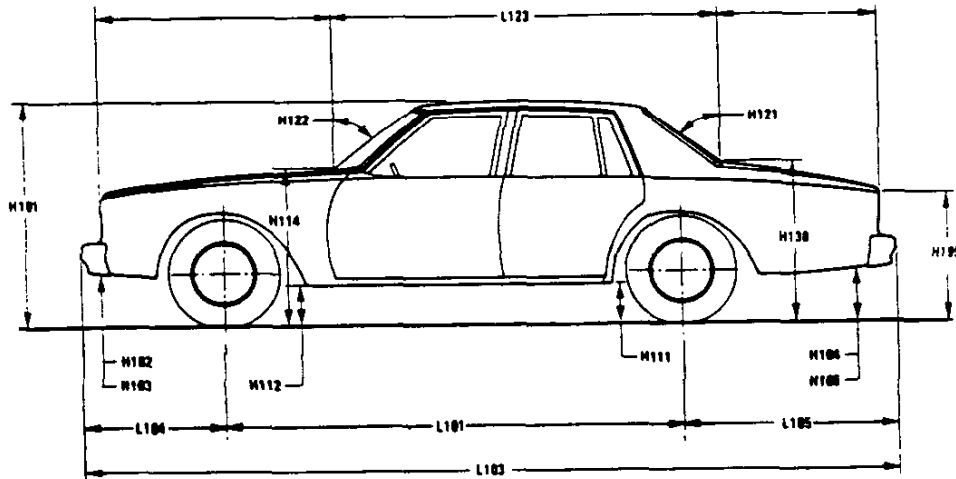
METRIC (U.S. Customary)

Exterior Vehicle And Body Dimensions -- Key Sheet

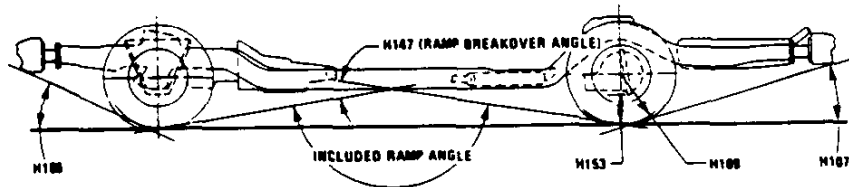
Exterior Width



Exterior Length & Height



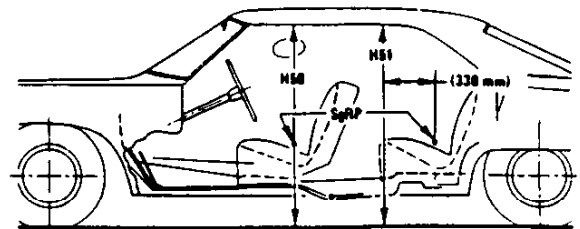
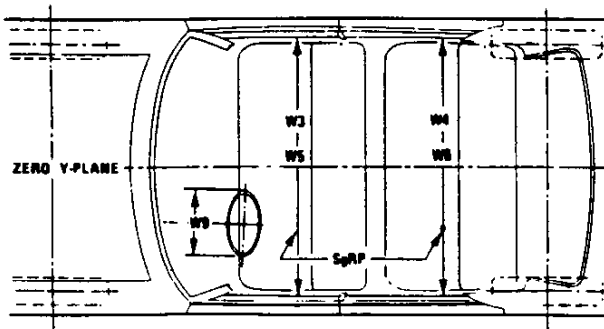
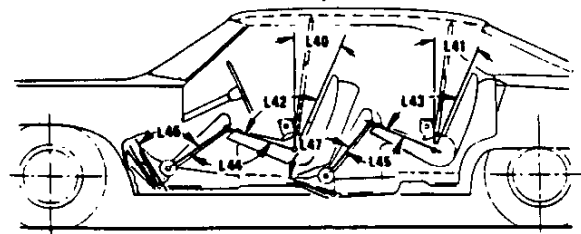
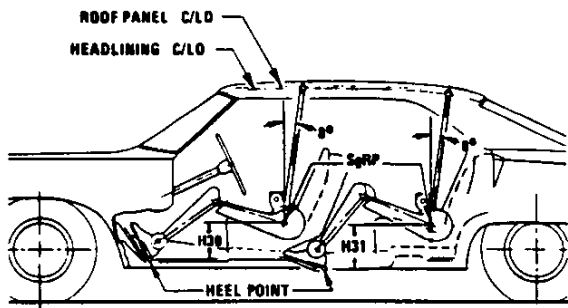
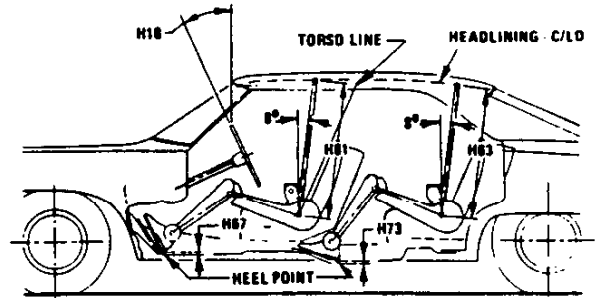
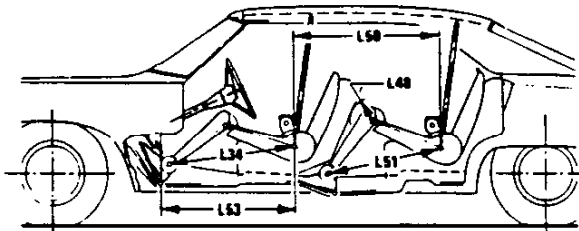
Exterior Ground Clearance



MVMA Specifications Form

METRIC (U.S. Customary)

Interior Vehicle And Body Dimensions - Key Sheet

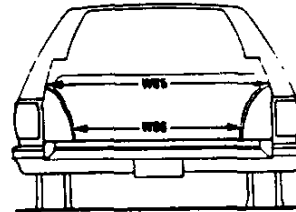
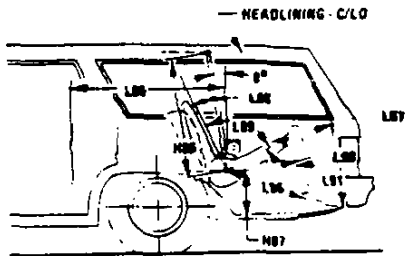


IVMA Specifications Form

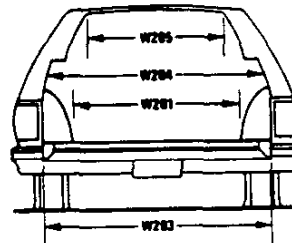
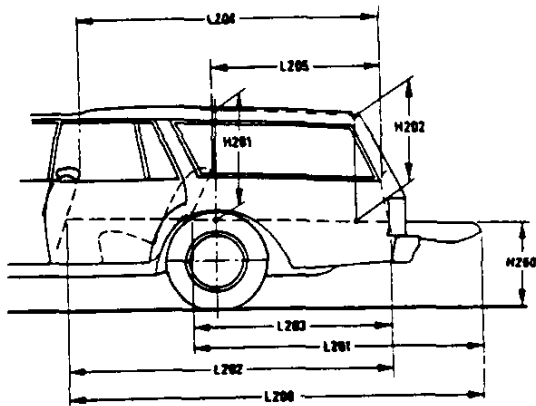
ETRIC (U.S. Customary)

Interior Vehicle And Body Dimensions – Key Sheet

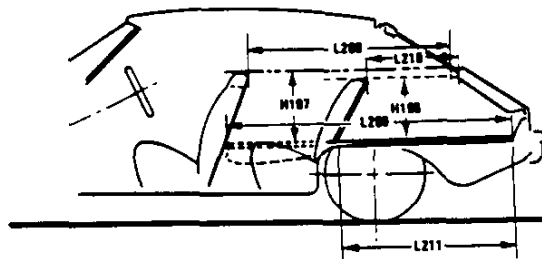
Third Seat



Cargo Space



Station Wagon



Hatchback

MVMA Specifications

METRIC (U.S. Customary)

Exterior Vehicle And Body Dimensions – Key Sheet Dimensions Definitions

Seating Reference Point

SEATING REFERENCE POINT means the manufacturer's design reference point which –

- (a) Establishes the rearmost normal design driving or riding position of each designated seating position in a vehicle;
- (b) Has coordinates established relative to the design vehicle structure;
- (c) Simulates the position of the pivot center of the human torso and thigh; and
- (d) Is the reference point employed to position the two dimensional templates described in SAE Recommended Practice J826, "Devices for Use in Defining and Measuring Vehicle Seating Accommodations,".

Width Dimensions

- W101 TREAD – FRONT. The dimension measured between the tire centerlines at the ground.
- W102 TREAD – REAR. The dimension measured between the tire centerlines at the ground. In case of dual wheels, the dimension will be measured to the centerline of tire and wheel assemblies.
- W103 VEHICLE WIDTH. The maximum dimension measured between the widest point on the vehicle, excluding exterior mirrors, flexible mud flaps, marker lamps, but including bumpers, moldings, sheet metal protrusions or dual wheels, if standard equipment.
- W117 BODY WIDTH AT SgRP – FRONT. The dimension measured laterally between the widest points on the body at the SgRP-front, excluding door handles, applied moldings, or appliques.
- W120 VEHICLE WIDTH – FRONT DOORS OPEN. The dimension measured between the widest point on the front doors in maximum hold-open position.
- W121 VEHICLE WIDTH – REAR DOORS OPEN. The dimension measured between the widest point on the rear doors in maximum hold-open position. For vehicles with a rear door on only one side, this dimension is to the zero "Y" plane.
- W122 TUMBLE – HOME. STRAIGHT SIDE GLASS. The angle measured from a vertical to the outside surface of the front door glass at the SgRP "X" plane.
CURVED SIDE GLASS. The angle measured from a vertical to a chord extending from the upper DLO to the lower DLO at the outside surface of the front door glass at the front SgRP "X" plane.
- W410 OUTSIDE MIRROR WIDTH: The dimension between the widest point on the outside mirrors. The standard right and left mirror adjusted for normal driving will be shown unless otherwise noted. When only one outside mirror is standard, the dimension will be to the zero "Y" plane.

Length Dimensions

- L101 WHEELBASE (WB). The dimension measured longitudinally between front and rear wheel centerlines. In case of dual rear axles, the dimension shall be to the midpoint of the centerlines of the rear wheels.
- L103 VEHICLE LENGTH. The maximum dimension measured longitudinally between the foremost point and the rearmost point on the vehicle, including bumper, bumper guards, tow hooks and/or rub strips, if standard equipment.
- L104 OVERHAND – FRONT. The dimension measured longitudinally from the centerline of the front wheels to the foremost point on the vehicle including bumper, bumper guards, tow hooks and/or rub strips, if standard equipment.
- L105 OVERHANG – REAR. The dimension measured longitudinally from the centerline of the rear wheels; or in the case of dual rear axles, the dimension shall be the midpoint of the centerlines of the rear wheels, to the rearmost point on the vehicle including rear bumpers, bumper guards, tow hooks and rub strips, if standard equipment.

- L123 UPPER STRUCTURE LENGTH. The dimension measured longitudinally from the cowl point to the deck point.
- L127 REAR WHEEL CENTERLINE "X" COORDINATE or in the case of dual rear axles, the coordinate shall be the midpoint of the distance between the rear axle centerlines.

Height Dimensions

- H101 VEHICLE HEIGHT. The dimension measured vertically from the highest point on the vehicle body to ground.
- H111 ROCKER PANEL – REAR TO GROUND. The dimension measured vertically from the bottom of the rocker or side quarter panel at the front of the rear wheel opening, excluding flanges, to ground.
- H112 ROCKER PANEL – FRONT TO GROUND. The dimension measured vertically from the foremost point on the bottom of the rocker panels, excluding flanges, to ground.
- H114 COWL POINT TO GROUND. Measured at zero "Y" plane.
- H121 BACKLIGHT SLOPE ANGLE. The angle between the vertical reference line and the surface of backlight at vehicle zero "Y" plane. For curve backlight, the angle is to chord of backlight arc from lower DLO to upper DLO.
- H122 WINDSHIELD SLOPE ANGLE. The angle between the vertical reference line and a chord of the windshield arc running from the lower DLO to the upper DLO at the vehicle zero "Y" plane. In the case of wrap over glass, the angle to be measured will be formed by a chord 457 mm (18.0 in.) long drawn from the lower DLO to the intersecting point on the windshield.
- H138 DECK POINT TO GROUND. Measured at zero "Y" plane.
- H109 STATIC LOAD – TIRE RADIUS – REAR. Specified by the manufacturer in accordance with composite TIRE SECTION STANDARD.

Ground Clearance Dimensions

- H102 FRONT BUMPER TO GROUND. The minimum dimension measured vertically from the lowest point on the front bumper to ground, including bumper guards, if standard equipment.
- H103 FRONT BUMPER TO GROUND – CURB MASS (WT.). Measured in the same manner as H102.
- H104 REAR BUMPER TO GROUND. The minimum dimension measured vertically from the lowest point on the rear bumper to ground, including bumper guards, if standard equipment.
- H105 REAR BUMPER TO GROUND – CURB MASS (WT.). Measured in the same manner as H104.
- H106 ANGLE OF APPROACH. The angle measured between a line tangent to the front tire static loaded radius arc and the initial point of structural interference forward of the front tire to ground. The limiting structural component shall be designated.
- H107 ANGLE OF DEPARTURE. The angle measured between a line tangent to the rear tire static loaded radius arc and the initial point structural interference rearward of the rear tire to ground. The limiting component shall be designated.
- H147 RAMP BREAKOVER ANGLE. The angle measured between two lines tangent to the front and rear tire static loaded radius and intersecting at a point on the underside of the vehicle which defines the largest ramp over which the vehicle can roll.
- H153 REAR AXLE DIFFERENTIAL TO GROUND. The minimum dimension measured from the rear axle differential to ground.
- H156 MINIMUM RUNNING GROUND CLEARANCE. The minimum dimension measured from the sprung vehicle to ground. Specify location.

IVMA Specifications

ETRIC (U.S. Customary)

Interior Vehicle And Body Dimensions - Key Sheet Dimensions Definitions

Class Areas

- S1 Windshield area.
- S2 Side windows area. Includes the front door, rear door, vents, and rear quarter windows on both sides of the vehicle.
- S3 Backlight areas.
- S4 Total area. Total of all areas (S1 + S2 + S3).

Fiducial Mark Dimensions

Fiducial Mark - Number 1

- F54 "X" coordinate.
- N21 "Y" coordinate.
- F81 "Z" coordinate.
- H161 Height "Z" coordinate to ground at curb weight.
- H163 Height "Z" coordinate to ground.

Fiducial Mark - Number 2

- F55 "X" coordinate.
- N22 "Y" coordinate.
- N82 "Z" coordinate.
- H162 Height "Z" coordinate to ground at curb weight.
- H164 Height "Z" coordinate to ground.

Front Compartment Dimensions

- L11 ACCELERATOR HEEL POINT TO STEERING WHEEL CENTER. The dimension measured horizontally from the AHP to the intersection of the steering column centerline and a plane tangent to the upper surface of the steering wheel rim.
- L17 DESIGN H-POINT - FRONT TRAVEL. The dimension measured horizontally between the design H-point - front in the foremost and rearmost seat track positions. (See SAE J1100)
- L23 NORMAL DRIVING AND RIDING SEAT TRACK TRAVEL. The dimension measured horizontally between a point on the design H-point travel line from the SgRP to the displaced point on the design H-point travel line with the seat moved to the foremost seat position, but not to include seat track travel used for purposes other than normal driving and riding positions. (See SAE J1100).
- L31 SgRP - FRONT. "X" COORDINATED.
- L34 MAXIMUM EFFECTIVE LEG ROOM - ACCELERATOR. The dimension measured along a line from the ankle pivot center to the SgRP - front plus 254 mm (10.0 in.) measured with right foot on the undepressed accelerator pedal. For vehicles with SgRP to heel (H30) greater than 18 in., the accelerator pedal may be depressed as specified by the manufacturer. If the accelerator is depressed, the manufacturer shall place foot flat on pedal and note the depression of the pedal.
- L40 BACK ANGLE - FRONT. The angle measured between a vertical line through the SgRP - front and the torso line. If the seatback is adjustable, use the normal driving and riding position specified by the manufacturer.
- L42 HIP ANGLE - FRONT. The angle measured between torso line and thigh centerline.
- L44 KNEE ANGLE - FRONT. The angle measured between thigh centerline and lower leg centerline measured on the right leg.
- L46 FOOT ANGLE - FRONT. The angle measured between the lower leg centerline and a line tangent to the ball and heel of the bare foot flesh line measured on the right leg. Ref SAE J826.
- L53 SgRP - FRONT TO HEEL. The dimension measured horizontally from the SgRP - front to the accelerator heel point.
- W3 SHOULDER ROOM - FRONT. The minimum dimension measured laterally between the trimmed surfaces on the "X" plane through the SgRP - front at height between the belt line and 254 mm (10.0 in.) above the SgRP - front, excluding the door assist strap and attaching parts.

- W5 HIP ROOM - FRONT. The minimum dimension measured laterally between the trimmed surfaces on the "X" plane through the SgRP - front within 25 mm (1.0 in.) below and 76 mm (3.0 in.) above the SgRP - front and 76 mm (3.0 in.) fore and aft of the SgRP - front.
- W9 STEERING WHEEL MAXIMUM OUTSIDE DIAMETER. Define if other than round.
- H7 ACCELERATOR HEEL POINT TO THE STEERING WHEEL CENTER. The dimension measured vertically from the AHP - front to the intersection of the steering column centerline to a plane tangent to the upper surface of the steering wheel rim.
- H18 STEERING WHEEL ANGLE. The angle measured from a vertical to the surface plane of the steering wheel.
- H30 SgRP - FRONT TO HEEL. The dimension measured vertically from the SgRP - front to the accelerator heel point.
- H50 UPPER BODY OPENING TO GROUND - FRONT. The dimension measured vertically from the trimmed body opening to the ground on the SgRP - front "X" plane.
- H61 EFFECTIVE HEAD ROOM - FRONT. The dimension measured along a line 8 deg. rear of vertical from the SgRP - front to the headlining plus 102 mm (4.0 in.).
- H67 FLOOR COVERING THICKNESS - UNDEPRESSED - FRONT. The dimension measured vertically from the surface of the undepressed floor covering to the underbody sheet metal at the accelerator heel point.

Rear Compartment Dimensions

- L41 BACK ANGLE - SECOND. The angle measured between a vertical line through the SgRP - second and the torso line.
- L43 HIP ANGLE - SECOND. The angle measured between torso line and thigh centerline.
- L45 KNEE ANGLE - SECOND. The angle measured between thigh centerline and lower leg centerline.
- L47 FOOT ANGLE - SECOND. The angle measured between the lower leg centerline and a line tangent to the ball and heel of the three-dimensional devices bare foot flesh line (Reference J826).
- L48 KNEE CLEARANCE - SECOND. The minimum dimension measured from the knee pivot center to the back of the front seatback minus 51 mm (2.0 in.).
- L50 SgRP COUPLE DISTANCE - SECOND. The dimension measured horizontally from the driver SgRP - front to the SgRP - second.
- L51 MINIMUM EFFECTIVE LEG ROOM - SECOND. The dimension measured along a line from the ankle pivot center to the SgRP - second plus 254 mm (10.0 in.).
- W4 SHOULDER ROOM - SECOND. The minimum dimension measured laterally between door or quarter trimmed surfaces on the "X" plane through the SgRP - second at height between 254-406 mm (10.0-16.0 in.) above the SgRP - second, excluding the door assist straps and attaching parts.
- W6 HIP ROOM - SECOND. Measured in the same manner as W5.
- H31 SgRP - SECOND TO HEEL. The dimension measured vertically from the SgRP - second to the two dimensional device heel point on the depressed floor covering.
- H51 UPPER BODY OPENING TO GROUND - SECOND. The dimension measured vertically from the trimmed body opening to the ground on the "X" plane 330 mm (13.0 in.) forward of the SgRP - second.
- H63 EFFECTIVE HEAD ROOM - SECOND. The dimension measured along a line 8 deg. rear of vertical from the SgRP to the headlining, plus 102 mm (4.0 in.).
- H73 FLOOR COVERING - DEPRESSED - SECOND. The dimension measured vertically from the heel point to the underbody sheet metal.

MVMA Specifications

METRIC (U.S. Customary)

Interior Vehicle And Body Dimensions – Key Sheet Dimensions Definitions

Luggage Compartment Dimensions

V1 USABLE LUGGAGE CAPACITY—Total of volumes of individual pieces of standard luggage set plus H-boxes stowed in the luggage compartment in accordance with the procedure described in paragraph 8.2 of SAE-J1100a.

Interior Volumes (EPA Classification)

The Interior Volume Index is listed for each body style except two seaters. The Interior Volume Index estimates the space in a car. It is based on four measurements — head room, shoulder room, hip room, and leg room — for the front and rear seats, plus trunk capacity. The Interior Volume Index is an estimate of the size of the passenger compartment.

The Trunk/Cargo Index is an estimate of the size of the trunk/cargo space. In station wagons and hatchbacks it is an estimate of the space behind the second seat.

Station Wagon – Third Seat Dimensions

- L85 SgRP COUPLE DISTANCE – THIRD. The dimension measured horizontally from the SgRP – second to the SgRP – third.
- L86 EFFECTIVE LEG ROOM – THIRD. The dimension measured along a line from the ankle pivot center to the SgRP – third plus 254 mm (10.0 in.).
- L87 KNEE CLEARANCE – THIRD. The minimum dimension from the knee pivot center to the back of second seatback minus a constant of 51 mm (2.0 in.). With rear-facing third seat, dimension is measured to closure.
- L88 BACK ANGLE – THIRD. Measured in the same manner as L41.
- L89 HIP ANGLE – THIRD. Measured in the same manner as L43.
- L90 KNEE ANGLE – THIRD. Measured in the same manner as L45.
- L91 FOOT ANGLE – THIRD. Measured in the same manner as L47.
- W85 SHOULDER ROOM – THIRD. Measured in the same manner as W4.
- W86 HIP ROOM – THIRD. Measured in the same manner as W5.
- H86 EFFECTIVE HEAD ROOM – THIRD. The dimension, measured along a line 8 deg. from the SgRP – third to the headlining rear of vertical plus a constant of 102 mm (4.0 in.).
- H87 SgRP – THIRD TO HEEL POINT.
- SD1 SEAT FACING DIRECTION – THIRD.

Station Wagon – Cargo Space Dimensions

- L200 CARGO LENGTH – OPEN – FRONT. The minimum dimension measured longitudinally from the back of the front seatback at the height of the undepressed floor covering to the rearmost point on the undepressed floor covering on the open tailgate or cargo surface if the rear closure is a conventional door type tailgate at the zero "Y" plane.
- L201 CARGO LENGTH – OPEN – SECOND. The dimension measured longitudinally from the back of the second seatback at the height of the undepressed floor covering to the rearmost point on the undepressed floor covering on the open tailgate or cargo floor surface if the rear closure is a conventional door type tailgate, at the zero "Y" plane.

- L202 CARGO LENGTH – CLOSED – FRONT. The minimum dimension measured horizontally from the back of the front seat at the height of the undepressed floor covering to the rearmost point on the undepressed floor covering on the closed tailgate or taildoor for station wagons, trucks and mpv's at the zero "Y" plane.
- L203 CARGO LENGTH – CLOSED – SECOND. The dimension measured horizontally from the back of the second seat at the height of the undepressed floor covering to the rearmost point on the undepressed floor covering on the closed tailgate or taildoor for station wagons, trucks and mpv's at the zero "Y" plane.
- L204 CARGO LENGTH AT BELT – FRONT. The minimum dimension measured horizontally from the back of the front seatback at the seatback top to the foremost normal surface of the closed tailgate or inside surface of the cab backpanel at the height of the belt, on the zero "Y" plane.
- L205 CARGO LENGTH AT BELT – SECOND. The minimum dimension measured horizontally from the back of the second seatback at the seatback top to the foremost normal surface of the closed tailgate at the height of the belt, on the zero "Y" plane.
- W201 CARGO WIDTH – WHEELHOUSE. The minimum dimension measured laterally between the trimmed wheelhouses at floor level. For any vehicle not trimmed, measure to the sheet metal.
- W203 REAR OPENING WIDTH AT FLOOR. The minimum dimension measured laterally between the limiting interferences of the rear opening at floor level.
- W204 REAR OPENING WIDTH AT BELT. The minimum dimension measured laterally between the limiting interferences of the rear opening at belt height or top of pick up box.
- W205 REAR OPENING WIDTH ABOVE BELT. The minimum dimension measured laterally between the limiting interferences of the rear opening above the belt height.
- H197 FRONT SEATBACK TO LOAD FLOOR HEIGHT. The dimension measured vertically from the horizontal tangent to the top of the seatback to the undepressed floor covering.
- H201 CARGO HEIGHT. The dimension measured vertically from the top of the undepressed floor covering to the headlining at the rear wheel "X" coordinate on the zero "Y" plane.
- H202 REAR OPENING HEIGHT. The dimension measured vertically from the top of the undepressed floor covering to the upper trimmed opening on the zero "Y" plane with rear door fully open.
- H250 TAILGATE TO GROUND CURB MASS (WT.). The dimension measured vertically from the top of the undepressed floor covering on the lowered tailgate to ground on the zero "Y" plane.
- V2 STATION WAGON

Measured in inches:

$$\frac{W4 \times H201 \times L204}{1728} = \text{ft}^3$$

Measured in mm:

$$\frac{W4 \times H201 \times L204}{10^9} = \text{m}^3 \text{ (cubic meter)}$$

MVMA Specifications

METRIC (U.S. Customary)

Interior Vehicle And Body Dimensions – Key Sheet Dimensions Definitions

V4 HIDDEN LUGGAGE CAPACITY – REAR OF FRONT SEAT. The total volumes of individual pieces of one set of standard luggage stowed in any hidden cargo area below the load floor rear of the front seat.

V5 TRUCKS AND MPV'S WITH OPEN AREA.

Measured in inches:

$$\frac{L506 \times W505 \times H503}{1728} = \text{ft}^3$$

Measured in mm:

$$\frac{L506 \times W500 \times H503}{10^9} = \text{m}^3 \text{ (cubic meter)}$$

V6 TRUCKS AND MPV'S WITH CLOSED AREA.

Measured in inches:

$$\frac{L204 \times W500 \times H505}{1728} = \text{ft}^3$$

Measured in mm:

$$\frac{L204 \times W500 \times H505}{10^9} = \text{m}^3 \text{ (cubic meter)}$$

V8 HIDDEN LUGGAGE CAPACITY – REAR OF SECOND SEAT. The total volume of individual pieces of one set of standard luggage stowed in any hidden cargo area below the load floor rear of the second seat.

V10 STATION WAGON CARGO VOLUME INDEX.

Measured in inches:

$$\frac{H201 \times L205 \times \frac{W4 + W201}{2}}{1728} = \text{ft}^3$$

Measured in mm:

$$\frac{H201 \times L205 \times \frac{W4 + W201}{2}}{10^9} = \text{m}^3 \text{ (cubic meter)}$$

Hatchback – Cargo Space Dimensions

All hatchback cargo dimensions are to be taken with the front seat in full down and rear position, and the rear seat folded down. The hatchback door is in the closed position. (For electronically adjusted seats, see the manufacturer's specifications for Design "H" Point).

L208 CARGO LENGTH AT FRONT SEATBACK HEIGHT. The minimum horizontal dimension from the "X" plane tangent to the rearmost surface of the driver's seatback to the inside limiting interference of the hatchback door on the vehicle zero "Y" plane.

L209 CARGO LENGTH AT FLOOR – FRONT – HATCHBACK. The minimum horizontal dimension measured at floor level from the rear of the front seatback to the normal limiting interference of the hatchback door on the vehicle zero "Y" plane.

L210 CARGO LENGTH AT SECOND SEATBACK HEIGHT – HATCHBACK. The minimum dimension measured from the "X" plane tangent to the rearmost surface of second seatback or the load floor which is stowed at least one half of the H198 dimension height above the rear load floor, to the rearmost inside limiting interference on the zero "X" plane.

L211 CARGO LENGTH AT FLOOR – SECOND HATCHBACK. The minimum horizontal dimension measured at floor level from the rear of the second seatback or load floor panel to the normal limiting interference of the hatchback door on the vehicle zero "Y" plane.

H197 FRONT SEATBACK TO LOAD HEIGHT. The dimension measured vertically from the horizontal tangent to the top of the seatback to the undepressed floor covering.

H198 SECOND SEATBACK TO LOAD FLOOR HEIGHT: The dimension measured vertically from the second seatback to the undepressed floor covering.

V3 HATCHBACK.

Measured in inches:

$$\frac{\frac{L208 + L209}{2} \times W4 \times H197}{1728} = \text{ft}^3$$

Measured in mm:

$$\frac{\frac{L208 + L209}{2} \times W4 \times H197}{10^9} = \text{m}^3 \text{ (cubic meter)}$$

V4 HIDDEN LUGGAGE CAPACITY – REAR OF FRONT SEAT. The total volumes of individual pieces of one set of standard luggage stowed in any hidden cargo area below the load floor rear of the front seat.

V11 HATCHBACK CARGO VOLUME INDEX. Usable luggage (one (1) stand and luggage set) below floor:

Measured in inches:

$$\frac{\frac{L210 + L211}{2} \times W4 \times H198}{1728} = \text{ft}^3$$

Measured in mm:

$$\frac{\frac{L210 + L211}{2} \times W4 \times H198}{10^9} = \text{m}^3 \text{ (cubic meter)}$$

MVMA Specifications

METRIC (U.S. Customary)

Index

Subject	Page No.	Subject	Page No.
Alternator	16	Passenger Capacity	7
Axle Drive, Front, Rear, All Four	2, 9, 10	Passenger Mass Distribution	25
Axle Shafts	10	Pistons	3
Battery	16	Power Brakes	12
Body and Miscellaneous Information	17	Power, Engine	2
Brakes - Parking Service	12, 13	Power Steering	14
Camber	15	Power Teams	2
Camshaft	3	Propeller Shaft	10
Capacities		Pumps - Fuel	6
Cooling System	5	Water	5
Fuel Tank	6	Radiator - Cap, Hoses, Core	5
Lubricants		Ratios - Axle, Transaxle	2, 9, 10
Engine Crankcase	4	Compression	4
Transmission / Transaxle	8, 9	Steering	14
Rear Axle	10	Transmission / Transaxle	2, 8, 9
Carburetor	2, 6	Rear Axle	2, 10
Caster	15	Regulator - Alternator	16
Clutch - Pedal Operated	8	Restraint System	16
Coil, Ignition	16	Rims	10
Connecting Rods	4	Rods - Connecting	4
Convenience Equipment	19-20	Scrub Radius	14
Cooling System	5	Seats	17
Crankshaft	4	Shock Absorbers, Front & Rear	17
Cylinders and Cylinder Head	3	Spark Plugs	16
Diesel Information	4	Speedometer	15
Dimension Definitions		Springs - Front & Rear Suspension	17
Key Sheet - Exterior	27, 30, 31	Stabilizer (Sway Bar) - Front & Rear	17
Key Sheet - Interior	28, 29, 31, 32, 33	Starting System	16
Electrical System	15, 16	Steering	14
Emission Controls	7	Suppression - Ignition, Radio	16
Engine - General		Suspension - Front & Rear	11
Bore, Stroke, Type	3	Tail Pipe	7
Compression Ratio	2	Theft Protection	20
Displacement	2, 3	Thermostat, Cooling	5
Firing Order, Cylinder Numbering	3	Tires	15
General Information, Power & Torque	2	Toe-In	15
Intake System	4	Torque Converter	9
Power Teams	2	Torque - Engine	2, 8, 9
Exhaust System	7	Transaxle	9
Equipment Availability, Convenience	19	Transmission - Types	2, 8, 9
Fan, Cooling	5	Transmission - Automatic	2, 9
Filters - Engine Oil, Fuel System	4	Transmission - Manual	2, 8
Four Wheel Drive	10	Transmission - Ratios	2, 8, 9
Frame	18	Tread	21
Front Suspension	11	Trunk Cargo Load	1
Front Wheel Drive Unit	10	Trunk Luggage Capacity	22
Fuel System	6	Turning Diameter	14
Fuel Injection	6	Unitized Construction	16
Fuel Tank	6	Universal Joints, Propeller Shaft	10
Glass	18	Valve System	4
Headlamps	18	Vehicle Dimensions	
Headroom - Body	22, 23	Width	21
Heights	21	Length	21
Horns	15	Height	21
Horsepower - Brake	2	Ground Clearance	21
Ignition System	16	Front Compartment	22
Inflation - Tires	13	Rear Compartment	22
Interior Volumes	22	Luggage Compartment	22
Instruments	15	Station Wagon - Third Seat	23
Legroom	22, 23	Station Wagon - Cargo Space	23
Lengths	21	Hatchback - Cargo Space	23
Leveling, Suspension	11	Fiducial Marks	24
Liters, Valve	4	Voltage Regulator	16
Linings - Clutch, Brake	8, 12	Water Pump	5
Lubrication - Engine Transmission / Transaxle	4, 8, 9	Weights	25, 26
Luggage Compartment	22	Wheel Alignment	15
Models	1	Wheelbase	21
Motor Starting	16	Wheels & Tires	13
Muffler	7	Wheel Spindle	14
Origin	1	Widths	21
		Windshield	18
		Windshield Wiper and Washer	15

