

MANUFACTURERS MOTOR VEHICLE SPECIFICATIONS

METRIC (U.S. Customary)

1992

Manufacturer CHEVROLET MOTOR DIVISION GENERAL MOTORS CORPORATION	Vehicle Line  LUMINA	
Mailing Address CHEVROLET-PONTIAC-CANADA GROUP ENGINEERING CENTER GENERAL MOTORS CORPORATION 30003 VAN DYKE WARREN, MICHIGAN 48090-9060	Issued SEPTEMBER, 1991	Revised

Direct questions concerning these specifications to the manufacturer listed above.

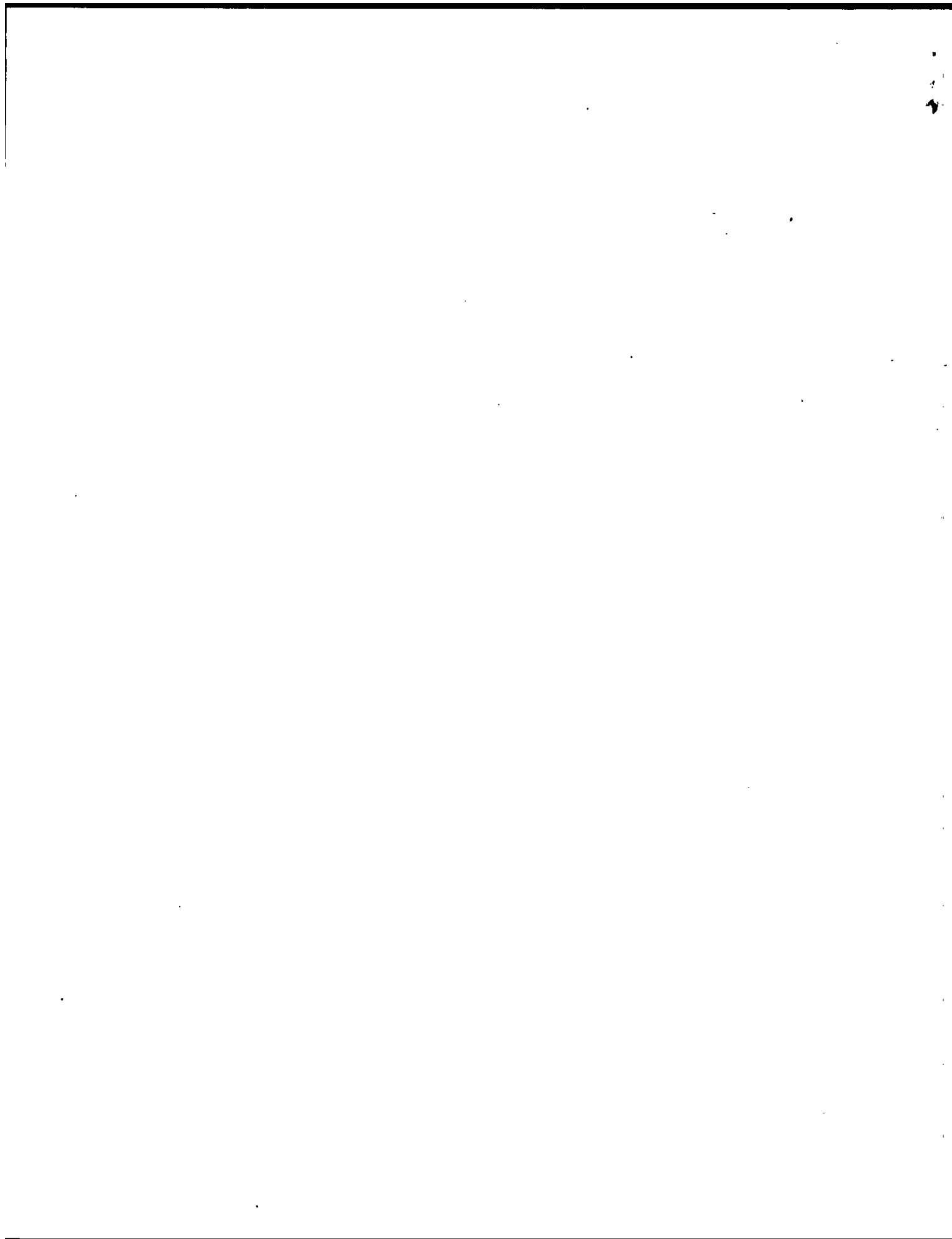
The information contained herein is prepared, distributed by, and is solely the responsibility of the vehicle manufacturing company to whose products it relates. This specification form was developed by the vehicle manufacturing companies under the auspices of the Motor Vehicle Manufacturers Association of the United States, Inc.

The General Specifications herein are those in effect at date of compilation and are subject to change without notice or incurring obligation by the manufacturer.



Motor Vehicle Manufacturers Association
of the United States, Inc.

Blank Forms Provided by Technical Affairs Division



MVMA Specifications

METRIC (U.S. Customary)

Table of Contents

	1	Vehicle Models/Origin	○ Indicates Format Change From Previous Year
	2	Power Teams	
○	3	Engine	
	4	Lubrication System	
	4	Diesel Information	
	5	Cooling System	
	6	Fuel System	
	7	Vehicle Emission Control	
	7	Exhaust System	
○	8-10	Transmission, Axles and Shafts	
○	11	Suspension	
○	12-13	Brakes, Tires and Wheels	
○	14	Steering	
	15-16	Electrical	
	17	Body — Miscellaneous Information	
○	17	Frame	
	18	Restraint System	
	18	Glass	
	18	Headlamps	
○	19	Climate Control System	
	20-21	Convenience Equipment	
	21	Trailer Towing	
○	22-24	Vehicle Dimensions	
	25	Vehicle Fiducial Marks	
	26	Vehicle Mass (Weight)	
	27	Optional Equipment Differential Mass (Weight)	
○	28-34	Vehicle Dimensions Definitions - Key Sheets	
○	35	Index	

NOTE:

1. This form uses both SI metric units and U.S. Customary units. The metric unit of measure is presented first, and the U.S. Customary unit follows in parentheses.
2. UNLESS OTHERWISE INDICATED:
 - a. Specifications apply to standard models without optional equipment. Significant deviations are noted.
 - b. Nominal design dimensions are used throughout these specifications.
 - c. All linear dimensions are in millimeters (inches), and all mass (weight) specs. are in kilograms (pounds).
3. The General Specifications herein are those in effect at date of compilation and are subject to change without notice or incurring obligation by the manufacturer.
4. Additional Vehicle Dimensions (based in part on SAE J1100 "Motor Vehicle Dimensions") may be available from the manufacturer.

FORM MVMA-92

MVMA Specifications

Vehicle Line LUMINA
 Model Year 1992 Issued 9-91 Revised(*) _____

METRIC (U.S. Customary)

Vehicle Origin

Design & development (company)	Chevrolet-Pontiac-GM of Canada
Where built (country)	Canada
Authorized U.S. Sales marketing representative	Chevrolet Motor Division

Vehicle Models

Model Description & Drive (FWD/RWD/AWD/4WD)*	Make, Vehicle Models, Series, Body Type (Mfgr's Model Code)	No. of Designated Seating Positions (Front/Rear)	Max. Trunk/Cargo Load-Kilograms (Pounds)	EPA Fuel Economy (City/Hwy)
LUMINA				
2-Door Notchback Coupe (FWD)	1WL27	6 (3/3)		21/28
4-Door Notchback Sedan (FWD)	1WL69	6 (3/3)		21/28
LUMINA EURO				
2-Door Notchback Coupe (FWD)	1WN27	6 (3/3) 5 (2/3) Opt.		19/27
4-Door Notchback Sedan (FWD)	1WN69	6 (3/3) 5 (2/3) Opt.		19/27
LUMINA Z34				
2-Door Notchback Coupe (FWD)	1WP27	5 (2/3)		

* FWD - Front Wheel Drive RWD - Rear Wheel Drive AWD - All Wheel Drive 4WD - Four Wheel Drive

MVMA Specifications

Vehicle Line LUMINA
 Model Year 1992 Issued 9-81 Revised(*) _____

METRIC (U.S. Customary) Power Teams

SAE J1349 Net bhp (brake hrspwr) and Net Torque corrected to 77 deg. F / 25 deg. C and 29.61 in. Hg/100 kPA atmos. press.

		A	B	C	D	
E N G I N E	Engine Code	LR8	LHO	LHO	LQ1	
	Displacement Liters (cu. in.)	2.5 (151)	3.1 (191)	3.1 (191)	3.4 (207)	
	Induction system (FI, Carb, etc.)	Electronic Fuel Injection	Multi-Port Fuel Injection	Multi-Port Fuel Injection	Multi-Port Fuel Injection	
	Compression ratio	8.3:1	8.9:1	8.9:1	9.25:1	
	SAE Net at RPM	Power kW (bhp)	78 (105) @ 4800	104 (140) @ 4400	104 (140) @ 4400	149 (200) @ 5000
		Torque Newton meters (lb.ft.)	183 (135) @ 3200	251 (185) @ 3200	251 (185) @ 3200	291 (215) @ 4000
Exhaust Single, dual		Single	Single	Single	Dual	
T R A N S	Transmission/ Transaxle	MD9 Auto Transaxle 3-Speed	ME9 Auto Transaxle 4-Speed	MD9 Auto Transaxle 3-Speed	M13 Auto Transaxle 4-Speed	
	Axle Ratio (std. first)		3.18	3.33	2.84	3.43

Series Availability		Power Teams (A - B - C - D)	
Model	Code	Standard	Optional
LUMINA			
2-Dr. Notchback Coupe	1WL27	A	B, C
4-Dr. Notchback Sedan	1WL69	A	B, C
LUMINA EURO			
2-Dr. Notchback Coupe	1WN27	C	B
4-Dr. Notchback Sedan	1WN69	C	B
LUMINA Z34			
2-Dr. Notchback Coupe	1WP27	E	D

MVMA Specifications

Vehicle Line LUMINA
 Model Year 1992 Issued 9-81 Revised(*) _____

METRIC (U.S. Customary)

Engine Description
 Engine Code

2.5 LITER L4 (151 CID)
 ELECTRONIC FUEL INJECTION RPO LR8

ENGINE - GENERAL

Type & description (inline, V, angle, flat, location, front, mid, rear, transverse, longitudinal, sohc, dohc, ohv, hemi, wedge, pre-chamber, etc.)

Inline, Front, Transverse, OHV

Manufacturer

General Motors Powertrain Division

No. of cylinders

4

Bore

101.63 mm (4.00 in.)

Stroke

76.20 mm (3.000 in.)

Bore spacing (C/L to C/L)

111.80 mm (4.40 in.)

Cyl block matl & mass kg(lbs.)(machined)

Cast Iron, 48.18 (106.21)

Cylinder block deck height

236.10 mm (9.295 in.)

Cylinder block length

494.8 mm (19.480 in.)

Deck clearance (minimum) (above or below block)

.9144 mm (.036 in.), Below

Cyl. head material & mass kg (lbs.)

Cast Iron, 21.82 (48.1)

Cylinder head volume cu. cm. (cu. in.)

45.62 (2.78)

Cylinder liner material

Not Applicable

Head gasket thickness (compressed)

1.22 mm (.048 in.)

Minimum combustion chamber total volume cu. cm. (cu. in.)

50.2 (3.06)

Cyl. no. system (front to rear)*

L. Bank
 R. Bank

1-2-3-4
 -

Firing order

1-3-4-2

Intake manifold matl & mass kg(lbs.)**

Aluminum 9.0 (19.84)

Exh. manifold matl & mass kg (lbs.)**

Stainless Steel, 1.85 (4.08)

○ Knock sensor (number & location)

None

Fuel required unleaded, diesel, etc.

Unleaded

Fuel antiknock index (R + M) / 2

87

Engine mounts

Quantity

3

Matl and type (elastomeric, hydroelastic, hydraulic damper, etc.)

1-Hydraulic; 1-Elastomeric; 1-Torque Strut

Added isolation (sub-frame, crossmember, etc.)

Isolated (Sub-frame) Supporting The Right & Left Hand Mounts

Total dressed engine mass (wt) dry***

169.7 kg (370 lbs.)

Engine - Pistons

Material & mass, g (weight, oz.) - piston only

Aluminum Alloy, 600 (21)

Engine Camshaft

Location

Cylinder Block

Material & mass kg (weight, lbs.)

Austempered Ductile Iron, 3.452 (7.61)

Drive type

Chain/belt
 Width/pitch

Chain

19.1 / 9.525 (.75 / .375) 56 Pitches

*Rear of engine - drive takeoff. View from drive takeoff end to determine left & right side of engine.

**Finished state.

***Dressed engine mass (weight) includes the following:

All those items necessary to make the engine a complete ready-to-run unit.

MVMA Specifications

Vehicle Line LUMINA
 Model Year 1992 Issued 9-91 Revised(*)

METRIC (U.S. Customary)

Engine Description
Engine Code

3.1 LITER V6 (181 CID)
 MULTI-PORT FUEL INJECTION RPO LHO

ENGINE - GENERAL

Type & description (inline, V, angle, flat, location, front, mid, rear, transverse, longitudinal, sohc, dohc, ohv, hemi, wedge, pre-chamber, etc.)	60 deg. V, Front, Transverse, OHV	
Manufacturer	General Motors Powertrain Division	
No. of cylinders	6	
Bore	89mm (3.503)	
Stroke	84mm (3.307 in.)	
Bore spacing (C/L to C/L)	111.76mm (4.40 in.)	
Cyl. block matl & mass kg(lbs.) (machined)	Cast Iron, 53.12 (117)	
Cylinder block deck height	224.0mm (9.0 in.)	
Cylinder block length	435.5mm (17.4 in.)	
Deck clearance (minimum) (above or below block)	0.12 mm (.005 in.) Below Block, Nominal	
Cyl. head material & mass kg (lbs.)	Aluminum, 5.30 (11.7)	
Cylinder head volume cu. cm. (cu. in.)	28.0 (1.71)	
Cylinder liner material	Not Applicable	
Head gasket thickness (compressed)	1.62mm (.062 in.)	
Minimum combustion chamber total volume cu. cm. (cu. in.)	27.9 (1.70)	
Cyl. no. system (front to rear)*	L. Bank	2-4-6
	R. Bank	1-3-5
Firing order	1-2-3-4-5-6	
Intake manifold matl & mass kg(lbs.)**	Inlet Plenum - Aluminum Alloy, 3.5 (7.9) Inlet Manifold - Aluminum Alloy, 5.8 (12.4)	
Exh. manifold matl & mass kg(lbs.)**	Nodular Cast Iron, Wt. Of Manifold, Fire Wall Side 3.76 (8.283); Wt. Of Other Manifold, 2.63 (5.786)	
○ Knock sensor (number & location)	1, Below Exhaust Manifold, Firewall	
Fuel required unleaded, diesel, etc.	Unleaded	
Fuel antiknock index (R + M) / 2	87	
Engine mounts	Quantity	4
	Matl and type (elastomeric, hydroelastic, hydraulic damper, etc.)	1-Hydraulic; 1-Elastomeric; 2-Torque Struts
	Added isolation (sub-frame, crossmember, etc.)	Isolated (Sub-frame) Supporting The Right & Left Hand Mounts
Total dressed engine mass (wt) dry***	171.91 kg. (379 lbs.)	

Engine - Pistons

Material & mass, g (weight, oz.) - piston only	Aluminum Alloy, 365 (12.8)
--	----------------------------

Engine Camshaft

Location	Cylinder Block	
Material & mass kg (weight, lbs.)	Cast Iron, 3.098 (6.83)	
Drive type	Chain/belt	Chain
	Width/pitch	18.52 x 9.525 mm (0.729 x 0.375 in.)

*Rear of engine - drive takeoff. View from drive takeoff end to determine left & right side of engine.

**Finished state.

***Dressed engine mass (weight) includes the following:

All those items necessary to make the engine a complete ready-to-run unit.

MVMA Specifications

Vehicle Line LUMINA
 Model Year 1992 Issued 9-91 Revised(*)

METRIC (U.S. Customary)

Engine Description
 Engine Code

3.4 LITER V6 (207 CID)
 MULTI-PORT FUEL INJECTION RPO LQ1

ENGINE - GENERAL

Type & description (inline, V, angle, flat, location, front, mid, rear, transverse, longitudinal, sohc, dohc, ohv, hemi, wedge, pre-chamber, etc.)

60 deg., V6, Front, Transverse, DOHC

Manufacturer General Motors Powertrain Division

No. of cylinders 6

Bore 92.0mm (3.622 in.)

Stroke 84.0mm (3.307 in.)

Bore spacing (C/L to C/L) 111.76mm (4.4 in.)

Cyl block matl & mass kg(lbs.) (machined) Cast Iron, 52.7 kg. (116.2 lbs.)

Cylinder block deck height 224.0mm (8.82 in.)

Cylinder block length 435.5mm (17.1 in.)

Deck clearance (minimum) (above or below block) 0.28mm (.011 in.), Above Block, Nominal

Cyl. head material & mass kg (lbs.) Aluminum, 7.7 kg. (17.0 lbs.)

Cylinder head volume cu. cm. (cu. in.) 52.8 (3.2)

Cylinder liner material Not Applicable

Head gasket thickness (compressed) 1.6mm (0.063 in.)

Minimum combustion chamber total volume cu. cm. (cu. in.) 67.7 (4.13)

Cyl. no. system (front to rear)**	L. Bank	2-4-6
	R. Bank	1-3-5

Firing order 1-2-3-4-5-6

Intake manifold matl & mass kg (lbs.)** Upper - Aluminum Alloy, 7.9 (17.4); Lower - Aluminum Alloy, 3.2 (7.1)

Exh. manifold matl & mass kg (lbs.)** High Silicon Molybdenum Nod. Iron; 4.0 (8.82), Firewall side; 2.8 (6.17), Other

○ Knock sensor (number & location) 1. Below Exhaust Manifold, Firewall

Fuel required unleaded, diesel, etc. Unleaded

Fuel antiknock index (R + M) / 2 87

Engine mounts	Quantity	4
	Matl and type (elastomeric, hydroelastic, hydraulic damper, etc.)	2 - Elastomeric; 1 - Hydraulic; 1 - Torque Strut
	Added isolation (sub-frame, crossmember, etc.)	Isolated (Sub-frame) Supporting The Right & Left Hand Mounts

Total dressed engine mass (wt) dry*** 204.35 kg. (450.5 lbs.), Auto. 215.35 kg. (474.8 lbs.), Manual

Engine - Pistons

Material & mass, g (weight, oz.) - piston only Aluminum Alloy, 414 (14.6)

Engine Camshaft

Location (4) OHC In Carrier

Material & mass kg (weight, lbs.) Cast Iron - Left Bank Intake And Exhaust, 4.54 (10.0)
 Cast Iron - Right Bank Intake And Exhaust, 4.31 (9.5)

Drive type	Chain/belt	Belt And Chain
	Width/pitch	Belt, 34.0/9.53 mm (1.34/0.375 in.) Chain, 17.5/9.53mm (0.689/0.375 in.)

*Rear of engine - drive takeoff. View from drive takeoff end to determine left & right side of engine.

**Finished state.

***Dressed engine mass (weight) includes the following:

All those items necessary to make the engine a complete ready-to-run unit.

MVMA Specifications

Vehicle Line LUMINA
 Model Year 1992 Issued 9-91 Revised(*) _____

METRIC (U.S. Customary)

Engine Description	2.5 LITER L4 (151 CID)
Engine Code	ELECTRONIC FUEL INJECTION RPO LR8

Engine - Valve System

Hydraulic lifters (std., opt., n.e.)	Standard	
Valves	Number intake/exhaust	4/4
	Head O.D. intake/exhaust	I = 43.69 mm (1.72 in.) E = 38.10 mm (1.50 in.)

Engine - Connecting Rods

Material & mass kg., (weight, lbs.)*	Arma Steel, .8211 +/- .012 Kg (1.37 +/- .026 lbs)
Length(axes centerline to centerline)	153.67 mm (6.05 in.)

Engine - Crankshaft

Material & mass kg., (weight, lbs.)*	Nodular Iron, 17.73 (39.0)	
End thrust taken by bearing (no.)	5	
Length & number of main bearings	** 5 Bearings	
Seal (material, one, two piece design, etc.)	Front	One Piece Fluoroelastomer
	Rear	One Piece Fluoroelastomer

Engine - Lubrication System

Normal oil pressure kPa(psi) @ eng rpm	259.0 (37.5) @ 2000
Type oil intake (floating, stationary)	Stationary
Oil filter sys. (full flow, part, other)	Full Flow And In Sump
Capacity of c/case, less filter-refill-L (qt.)	3.8 (4.0)

Engine - Diesel Information

(NOT APPLICABLE)

Diesel engine manufacturer		
Glow plug, current drain at 0 deg. F		
Injector Nozzle	Type	
	Opening pressure kPa(psi)	
Pre-chamber design		
Fuel in-jection pump	Manufacturer	
	Type	
Fuel inj. pump drive (belt, chain, gear)		
Supplementary vacuum source (type)		
Fuel heater (yes/no)		
Water separator, description (std., opt.)		
Turbo manufacturer		
Oil cooler-type (oil to engine coolant; oil to ambient air)		
Oil filter		

Engine - Intake System

(NOT APPLICABLE)

Turbo charger - manufacturer	
Super charger - manufacturer	
Intercooler	

* Finished State

** Standard Measurement For Width Only:

1, 2, 3, 4 = 20.24 - 20.49 mm (.797 - .807 in.)

5 = 25.55 - 25.63 mm (1.022 - 1.025 in.)

MVMA Specifications

Vehicle Line LUMINA
 Model Year 1992 Issued 9-91 Revised(*)

METRIC (U.S. Customary)

Engine Description
 Engine Code

3.1 LITER V6 (191 CID)
 MULTI-PORT FUEL INJECTION RPO LHO

Engine - Valve System

Hydraulic lifters (std., opt., n.a.)	Standard
Valves	Number intake/exhaust
	Head O.D. intake/exhaust

6/6
 43.64 mm (1.72 in.) / 36.20 mm (1.43 in.)

Engine - Connecting Rods

Material & mass kg., (weight, lbs.)*	Forged Steel, .592 (1.31) Full Assembly.
Length(axes centerline to centerline)	144.78 mm (5.79 in.)

Engine - Crankshaft

Material & mass kg., (weight, lbs.)*	Nodular Cast Iron, 17.9 (39.5)
End thrust taken by bearing (no.)	3
Length & number of main bearings	** , 4 Bearings
Seal (material, one, two piece design, etc.)	Front
	Rear

Viton/Steel, One Piece
 Viton/Steel, One Piece

Engine - Lubrication System

Normal oil pressure kPa(psi) @ eng rpm	345-450 (50-65) @ 2400
Type oil intake (floating, stationary)	Stationary
Oil filter sys. (full flow, part, other)	Flow Thru - Full Flow
Capacity of c/case, less filter-refill-L (qt.)	3.8 (4.0)

Engine - Diesel Information

(NOT APPLICABLE)

Diesel engine manufacturer	
Glow plug, current drain at 0 deg. F	
Injector Nozzle	Type
	Opening pressure kPa(psi)
Pre-chamber design	
Fuel injection pump	Manufacturer
	Type
Fuel inj. pump drive (belt, chain, gear)	
Supplementary vacuum source (type)	
Fuel heater (yes/no)	
Water separator, description (std., opt.)	
Turbo manufacturer	
Oil cooler-type (oil to engine coolant; oil to ambient air)	
Oil filter	

Engine - Intake System

(NOT APPLICABLE)

Turbo charger - manufacturer	
Super charger - manufacturer	
Intercooler	

* Finished State

** Bearing Overall Length:

For 3.1L V6; #1 = 24.8 mm (0.976 in.) #2 = 18.7 mm (0.736 in.)
 #3 = 23.9 mm (0.940 in.), Upper #4 = 23.9 mm (0.940 in.), Upper
 18.7 mm (0.736 in.), Lower 18.7 mm (0.736 in.), Lower

MVMA Specifications

Vehicle Line LUMINA
 Model Year 1992 Issued 8-91 Revised(*)

METRIC (U.S. Customary)

Engine Description	3.4 LITER V6 (207 CID)
Engine Code	MULTI-PORT FUEL INJECTION RPO LQ1

Engine - Valve System

Hydraulic lifters (std., opt., n.a.)	Standard	
Valves	Number intake/exhaust	12/12
	Head O.D. intake/exhaust	36.5mm (1.44 in.) / 32.0mm (1.26 in.)

Engine - Connecting Rods

Material & mass kg., (weight, lbs.)*	Forged Steel, .592 (1.3)
Length (axes centerline to centerline)	144.78mm (5.7 in.)

Engine - Crankshaft

Material & mass kg., (weight, lbs.)*	Nodular Cast Iron, 17.9 (39.4)	
End thrust taken by bearing (no.)	3	
Length & number of main bearings	4 #1 = 4: 24.8mm (.98 in.) / # 2 & 3 = 18.7mm (.74 in.)	
Seal (material, one, two piece design, etc.)	Front	Viton/Steel, One Piece
	Rear	Viton/Steel, One Piece

Engine - Lubrication System

Normal oil pressure kPa (psi) @ eng rpm	275 (40) @ 2,000
Type oil intake (floating, stationary)	Stationary
Oil filter sys. (full flow, part, other)	Full Flow
Capacity of c/case, less filter-refill-L (qt.)	4.73 (5.0), With New Filter
	4.26 (4.5), Without Changing Filter

Engine - Diesel Information

(NOT APPLICABLE)

Diesel engine manufacturer		
Glow plug, current drain at 0 deg. F		
Injector Nozzle	Type	
	Opening pressure kPa (psi)	
Pre-chamber design		
Fuel injection pump	Manufacturer	
	Type	
Fuel inj. pump drive (belt, chain, gear)		
Supplementary vacuum source (type)		
Fuel heater (yes/no)		
Water separator, description (std., opt.)		
Turbo manufacturer		
Oil cooler-type (oil to engine coolant; oil to ambient air)		
Oil filter		

Engine - Intake System

(NOT APPLICABLE)

Turbo charger - manufacturer	
Super charger - manufacturer	
Intercooler	

* Finished State

MVMA Specifications

Vehicle Line LUMINA
 Model Year 1992 Issued 9-91 Revised(*) _____

METRIC (U.S. Customary)

Engine Description
 Engine Code

2.5 LITER L4 (151 CID)
 ELECTRONIC FUEL INJECTION RPO LR6

Engine - Cooling System

Coolant recovery system (std, opt, n.a.)		Standard
Coolant fill location (rad., bottle)		Bottle, Coolant Recovery
Radiator cap relief valve pressure kPa (psi)		89.6 - 103.4 (13 - 15)
Circulation thermostat	Type (choke, bypass)	Choke
	Starts to open @ deg's C(F)	90 (195)
Water Pump	Type (centrifugal, other)	Centrifugal
	GPM 1000 pump rpm	6.1
	Number of pumps	1
	Drive (V-belt, other)	Serpentine
	Bearing type	Ball-Roller
	Impeller material	Sintered
Housing material		Aluminum
By-pass recirculation type (inter., ext.)		
Cooling system capacity	With heater - L (qt.)	9.3 (9.8)
	With air conditioner-L(qt.)	9.5 (10.0)
	Opt. equip. specify-L(qt.)	
Water jackets full length of cyl(yes,no)		Yes
Water all around cylinder (yes, no)		Yes
Water jackets open at head face (yes,no)		Yes
Radiator core	Std., A/C, HD	Std. & A/C (HD - Not Available)
	Type (cross-flow, etc.)	Cross-Flow
	Construction (fin & tube mechanical, braze, etc.)	Brazed Fin And Flat Tube High Efficiency Radiator
	Matl. mass kg (wgt.,lbs.)	Aluminum, AC - 4.24 (9.35); Std. - 3.71 (8.18), Includes Tanks
	Width	718mm (28.3 in.)
	Height	382mm (15.0 in.)
	Thickness	23.5mm (0.925 in.)
Fins per inch		17, 3.0mm (.12 in.) - Distance Between Fins (AC) 4.0mm, Standard
Radiator end tank material		Plastic
Fan	Std., elec., opt.	Standard, Electric
	Number of blades & type (flex, solid, material)	5, Solid Plastic
	Diameter & projected width	343 x 40 mm (13.5 x 1.57 in.)
	Ratio(fan to crnkshft.rev.)	Not Applicable
	Fan cutout type	ECM Controlled
	Drive type (direct, remote)	Direct
	RPM at idle (elec.)	2100 Primary; 1800 Secondary
	Motor rating(wattage)(elec)	150 Std; 150 & 100 A/C
	Motor switch (type & location/elec.)	Engine Mounted Coolant Temp. Sensor, A/C Liquid Line Pressure Switch Or Transducer
	Switch point (temp./ pressure/elec.)	(See Below)
Fan shroud (material)		Not Available

<u>PRIMARY FAN</u>	<u>ON</u>	<u>OFF</u>	<u>SECONDARY FAN</u>	<u>ON</u>	<u>OFF</u>
A/C Head Pressure or	190 PSI	125 PSI	A/C Head Pressure or	250 PSI	190 PSI
Engine Coolant	223 deg. F.	216 deg. F.	Engine Coolant	244 deg. F.	237 deg. F.

MVMA Specifications

Vehicle Line LUMINA
 Model Year 1992 Issued 1991 Revised(*)

METRIC (U.S. Customary)

Engine Description
 Engine Code

3.1 LITER V6 (191 CID)
 MULTI-PORT FUEL INJECTION RPO LHO

Engine - Cooling System

Coolant recovery system (std., opt., n.a.)		Standard		
Coolant fill location (rad., bottle)		Bottle, Coolant Recovery		
Radiator cap relief valve pressure kPa (psi)		103.4 (15)		
Circulation thermostat	Type (choke, bypass)	Bypass		
	Starts to open @ deg's C(F)	90 (195)		
Water Pump	Type (centrifugal, other)	Centrifugal		
	GPM 1000 pump rpm	12		
	Number of pumps	1		
	Drive (V-belt, other)	Serpentine		
	Bearing type	Ball-Roller		
	Impeller material	Cast Iron		
Housing material		Aluminum		
By-pass recirculation type (inter., ext.)		External, Bypass		
Cooling system capacity	With heater - L (qt.)	11.36 (12.0) Htr. or A/C 4-Spd. Auto. (Includes 0.5L Reservoir Reserve)		
	With air conditioner-L (qt.)	11.27 (11.9) Htr. or A/C 3-Spd. Auto. (Includes 0.5L Reservoir Reserve)		
	Opt. equip. specify-L (qt.)	12.67 (13.4)		
Water jackets full length of cyl (yes, no)		No		
Water all around cylinder (yes, no)		Yes		
Water jackets open at head face (yes, no)		Yes		
Radiator core	Std., A/C, HD	Auto Std.	Auto A/C 4-Spd.	Auto A/C 3-Spd.
	Type (cross-flow, etc.)	Cross-Flow		
	Construction (fin & tube mechanical, braze, etc.)	High Efficiency Radiator		
	Matl., mass kg (wgt., lbs.)	Aluminum, 4.24 (9.35)	4.24 (9.35)	5.44 (12.0)
	Width	718.3mm (28.3 in.)	718.3mm (28.3 in.)	718.3mm (28.3 in.)
	Height	382.4mm (15.0 in.)	382.4mm (15.0 in.)	382.4mm (15.0 in.)
	Thickness	23.5mm (0.925 in.)	23.5mm (0.925 in.)	34.0mm (1.34 in.)
	Fins per inch, Constant	17, 3.0	17, 3.0	17, 3.0
Radiator end tank material		Plastic		
Fan	Std., elec., opt.	Electric		
	Number of blades & type (flex, solid, material)	Standard-5 Solid, Plastic (Opt. Same)		
	Diameter & projected wtdh	Standard 343.0 (13.5), Two Fans 343 (13.5)		
	Ratio (fan to crnkshft.rev.)	Not Applicable		
	Fan cutout type	ECM Controlled		
	Drive type (direct, remote)	Electric		
	RPM at idle (elec.)	2100 Primary; 1800 Secondary		
	Motor rating (wattage) (elec.)	150 Std.; 150 & 100 A/C		
	Motor switch (type & location/elec.)	Engine Mounted Coolant Temp. Sensor, A/C Liquid Line Pressure Switch or Transducer		
	Switch point (temp.,/ pressure/elec.)	(See Below)		
Fan shroud (material)		Not Available		

PRIMARY FAN	ON	OFF	SECONDARY FAN	ON	OFF
A/C Head Pressure or	190 PSI	125 PSI	A/C Head Pressure or	250 PSI	190 PSI
Engine Coolant	223 deg. F.	216 deg. F.	Engine Coolant	244 deg. F.	237 deg. F.

MVMA Specifications

Vehicle Line LUMINA
 Model Year 1992 Issued 9-91 Revised(*) _____

METRIC (U.S. Customary)

Engine Description
 Engine Code

3.4 LITER V6 (207 CID)
 MULTI-PORT FUEL INJECTION RPO LQ1

Engine - Cooling System

Coolant recovery system (std, opt, n.a.)		Standard
Coolant fill location (rad., bottle)		Bottle, Coolant Recovery
Radiator cap relief valve pressure kPa (psi)		89.6 - 103.4 (13 - 15)
Circulation thermostat	Type (choke, bypass)	Bypass
	Starts to open @ deg's C(F)	90 (194)
Water Pump	Type (centrifugal, other)	Centrifugal
	GPM 1000 pump rpm	9.7
	Number of pumps	1
	Drive (V-belt, other)	Serpentine Poly V
	Bearing type	Ball Roller
	Impeller material	Cast Iron
Housing material		Aluminum
By-pass recirculation type (inter., ext.)		
Cooling system capacity	With heater - L (qt.)	A/C Is Standard
	With air conditioner-L(qt.)	12.1 (12.8), Auto; 12.4 (13.1), Man.
	Opt. equip. specify-L(qt.)	
Water jackets full length of cyl(yes,no)		No
Water all around cylinder (yes, no)		Yes
Water jackets open at head face (yes,no)		Yes
Radiator core	Std., A/C, HD	A/C Is Standard Equipment
	Type (cross-flow, etc.)	Cross-Flow
	Construction (fin & tube mechanical, braze, etc.)	High Efficiency Radiator
	Matl. mass kg (wgt.lbs.)	Aluminum, 4.49 (9.9) Manual; 5.44 (12.0) Auto (Includes Tanks)
	Width	718mm (28.3 in.)
	Height	382mm (15.0 in.)
	Thickness	34mm (1.3 in.)
Fins per inch		17, 3.0, Constant
Radiator end tank material		Plastic
Fan	Std., elec., opt.	Dual Electric Standard
	Number of blades & type (flex, solid, material)	5, Solid Plastic
	Diameter & projected width	343 x 40mm (13.5 x 1.57 in.)
	Ratio(fan to crnkshft/rev.)	Electric
	Fan cutout type	ECM Controlled
	Drive type (direct, remote)	Electric Direct
	RPM at idle (elec.)	2100, Primary; 1800, Secondary
	Motor rating(wattage/elec.)	240, Primary; 100, Secondary
	Motor switch (type & location/elec.)	Coolant Temperature, A/C Head Pressure
	Switch point (temp./ pressure/elec.)	(See Below)
Fan shroud (material)		Not Available

<u>PRIMARY FAN</u>	<u>ON</u>	<u>OFF</u>	<u>SECONDARY FAN</u>	<u>ON</u>	<u>OFF</u>
A/C Head Pressure or	190 PSI	125 PSI	A/C Head Pressure or	250 PSI	190 PSI
Engine Coolant	223 deg. F.	216 deg. F.	Engine Coolant	244 deg. F.	237 deg. F.

MVMA Specifications

Vehicle Line LUMINA
 Model Year 1992 Issued 9-91 Revised(*) _____

METRIC (U.S. Customary)

Engine Description
 Engine Code

2.5 LITER L4 (151 CID)
 ELECTRONIC FUEL INJECTION RPO LR8

Engine - Fuel System (See supplemental page for details of Fuel Inj, Supercharger, Turbocharger, etc. if used)

Induction type: carburetor, fuel injection system, etc.		Fuel Injection
Manufacturer		AC/Rochester Products
Carburetor no. of barrels		None
Idle A/F mix.		Preset - No Adjustment Provided
Fuel Injection	Point of inj. (no.)	Throttle Body Above Throttle Blade (Single)
	Constant, pulse, flow	Pulse
	Control (elec., mech.)	Electronic
	Sys. press. kPa (psi)	210 (30.5)
Idle spd.-rpm (spec. neutral or drive and propane if used)	Manual	Not Applicable
	Automatic	600 In Drive
Intake manifold heat control (exhaust or water thermostatic or fixed)		Water
Air cleaner type		Single Snorkel
Fuel filter (type/location)		Replaceable Enclosed Paper Element Located Near Fuel Tank
Fuel pump	Type (elec. or mech.)	Electric
	Location (eng., tank)	Fuel Tank
	Press. range kPa (psi)	Pressure Depends On Flow Rate And System Voltage
	Flow rate at regulated pressure (L (gal)/hr @ kPa (psi))	81.6 @ 210 - W.O.T. 21.6 @ 30.5 - W.O.T.

Fuel Tank

Capacity refill L (gallons)		64.98 (17.1)
Location (describe)		Underbody, Forward Of Rear Axle
Attachment		Two Steel Straps W/Four Vertical Fasteners
Material & Mass kg (weight lbs.)		Stamped Steel Upper & Lower W/Perimeter Seam Weld; 9.634 (21.239)
Filler pipe	Location & material	Left Rear Quarter Panel
	Connection to tank	Flexible Hose
Fuel line (material)		Steel With Double-Sided Corrosion Protection And Nylon
Fuel hose (material)		Nylon (No Coupled Hose)
Return line (material)		Steel And Nylon
Vapor line (material)		Steel And Nylon
Extended range tank	Opt., n.a.	Not Applicable
	Capacity L (gallons)	"
	Location & material	"
	Attachment	"
Auxiliary tank	Opt., n.a.	Not Applicable
	Capacity L (gallons)	"
	Location & material	"
	Attachment	"
	Sictr switch or valve	"
Separate fill		"

MVMA Specifications

Vehicle Line LUMINA
 Model Year 1992 Issued 9-91 Revised(*) _____

METRIC (U.S. Customary)

Engine Description
 Engine Code

3.1 LITER V6 (191 CID)
 MULTI-PORT FUEL INJECTION RPO LHO

Engine - Fuel System (See supplemental page for details of Fuel Inj, Supercharger, Turbocharger, etc. if used)

Induction type: carburetor, fuel injection system, etc.		Fuel Injection
Manufacturer		AC/Rochester Products
Carburetor no. of barrels		None
Idle A/F mix.		Preset-No Adjustment Provided
Fuel Injection	Point of inj. (no.)	Fuel Injectors At Inlet Ports
	Constant, pulse, flow	Pulse
	Control (elec., mech.)	Electronic
	Sys. press. kPa (psi)	300 (43.5)
Idle spd.-rpm (spec. neutral or drive and propane if used)	Manual	Not Applicable
	Automatic	600 In Drive
Intake manifold heat control (exhaust or water thermostatic or fixed)		Water
Air cleaner type		Single Snorkel
Fuel filter (type/location)		Replaceable Enclosed Paper Element Located Near Fuel Tank
Fuel pump	Type (elec. or mech.)	Electrical
	Location (eng., tank)	Fuel Tank
	Press. range kPa (psi)	Pressure Depends On Flow Rate And System Voltage
	Flow rate at regulated pressure (L (gal)/hr @ kPa (psi))	62.4 @ 350 (Figures For Wide Open Throttle) (16.51 @ 50.8)

Fuel Tank

Capacity refill L (gallons)		62.7 (16.5)
Location (describe)		Underbody, Forward Of Rear Axle
Attachment		Two Steel Straps W/Four Vertical Fasteners
Material & Mass kg (weight lbs.)		Stamped Steel Upper & Lower W/Perimeter Seam Weld; 9.634 (21.239)
Filler pipe	Location & material	Left Rear Quarter Panel
	Connection to tank	Flexible Hose
Fuel line (material)		Steel With Double-Sided Corrosion Protection And Nylon
Fuel hose (material)		Nylon (No Coupled Hose)
Return line (material)		Steel And Nylon
Vapor line (material)		Steel And Nylon
Extended range tank	Opt., n.a.	Not Applicable
	Capacity L (gallons)	"
	Location & material	"
	Attachment	"
Auxiliary tank	Opt., n.a.	Not Applicable
	Capacity L (gallons)	"
	Location & material	"
	Attachment	"
	Sictr switch or valve	"
Separate fill		"

MVMA Specifications

Vehicle Line LUMINA
 Model Year 1992 Issued 8-91 Revised(*) _____

METRIC (U.S. Customary)

Engine Description	3.4 LITER V6 (207 CID)
Engine Code	MULTI-PORT FUEL INJECTION RPO LQ1

Engine - Fuel System (See supplemental page for details of Fuel Inj, Supercharger, Turbocharger, etc. if used).

Induction type: carburetor, fuel injection system, etc.		Fuel Injection
Manufacturer		AC/Rochester Products
Carburetor no. of barrels		None
Idle A/F mix.		Preset - No Adjustment Provided
Fuel Injection	Point of inj. (no.)	At Inlet Ports (6)
	Constant, pulse, flow	Pulse
	Control (elec., mech.)	Electronic
	Sys. press. kPa (psi)	300 (43.5)
Idle spd.-rpm (spec. neutral or drive and propane if used)	Manual	
	Automatic	
Intake manifold heat control (exhaust or water thermostatic or fixed)		Water
Air cleaner type		Single Snorkel
Fuel filter (type/location)		
Fuel pump	Type (elec. or mech.)	Electrical
	Location (eng., tank)	Fuel Tank
	Press. range kPa (psi)	
	Flow rate at regulated pressure (L (gal)/hr @ kPa (psi))	62.4 @ 350 (Figures For Wide Open Throttle) (16.51 @ 50.8)

Fuel Tank

Capacity refill L (gallons)		62.7 (16.5)
Location (describe)		Underbody, Forward Of Rear Axle
Attachment		Two Steel Straps W/Four Vertical Fasteners
Material & Mass kg (weight lbs.)		Stamped Steel Upper & Lower W/Perimeter Seam Weld; 9.634 (21.239)
Filler pipe	Location & material	Left Rear Quarter Panel
	Connection to tank	Flexible Hose
Fuel line (material)		Steel With Double-Sided Corrosion Protection And Nylon
Fuel hose (material)		Nylon (No Coupled Hose)
Return line (material)		Steel And Nylon
Vapor line (material)		Steel And Nylon
Extended range tank	Opt., n.a.	Not Applicable
	Capacity L (gallons)	"
	Location & material	"
	Attachment	"
Auxiliary tank	Opt., n.a.	Not Applicable
	Capacity L (gallons)	"
	Location & material	"
	Attachment	"
	Sictr switch or valve	"
	Separate fill	"

MVMA Specifications

Vehicle Line LUMINA
 Model Year 1992 Issued 9-91 Revised(*) _____

METRIC (U.S. Customary)

Engine Description
 Engine Code

2.5 LITER L4 (151 CID)
 ELECTRONIC FUEL INJECTION RPO LR8

Vehicle Emission Control

Exhaust Emission Control	Type (air injection, engine modifications, other)		Not Applicable
	Air injection	Pump or pulse	"
		Driven by	"
		Air distribution (head, manifold, etc.,)	"
		Point of entry	"
	Exhaust Gas Recirculation	Type (controlled flow, open orifice, other)	Controlled Flow
		Exhaust source	
		Point of exh.inj. (spacer, carb., manifold, other)	Manifold
	Catalytic Converter	Type	Single Bed Bead
		Number of	1
Location(s)		Mounted To Underbody	
Volume L (cu.in)		2.62 (160)	
Substrate type		Ceramic	
Noble metal type		Platinum (Pt), Rhodium (Rh), Palladium (Pd)	
Crankcase Emission Control	Type (ventilates to atmosphere, induction system, other)		Orifice PCV
	Energy source (manifold vacuum, carburetor, other)		Rocker Cover
	Discharges to (intake manifold, other)		Intake Manifold
	Air inlt(breather cap, other)		Rocker Cover
Evaporative Emission Control	Vapor vented to (crankcase, canister, other)	Fuel tank	Canister
		Carburetor	Not Applicable
	Vapor storage provision		Canister
Electronic System	Closed loop (yes/no)		Yes
	Open loop (yes/no)		No

Engine - Exhaust System

Type (single, single with cross-over, dual, other)		Single
Muffler no. & type (reverse flow, straight thru, separate resonator) Material & Mass kg (weight lbs.)		Single, Reverse Flow
Resonator no. & type		None
Exhaust pipe	Branch o.d., wall thickness	None
	Main o.d., wall thickness	57.15 x 2.02mm, Laminated (2.25 x .080 in.)
	Matl. & Mass kg (wght.lbs.)	409 Stainless Steel
Inter-mediate pipe	o.d. & wall thickness	50.8 x 1.07mm (2.0 x .042 in.)
	Matl. & Mass kg (wght.lbs.)	409 Stainless Steel
Tail pipe	o.d. & wall thickness	50.8 x 1.07mm (2.0 x .042 in.)
	Matl. & Mass kg (wght.lbs.)	Aluminized - 409 Stainless Steel

MVMA Specifications

Vehicle Line LUMINA
 Model Year 1992 Issued 8-91 Revised(*) _____

METRIC (U.S. Customary)

Engine Description
 Engine Code

3.1 LITER V6 (191 CID)
 MULTI-PORT FUEL INJECTION RPO LHO

Vehicle Emission Control

Exhaust Emission Control	Type (air injection, engine modifications, other)		Not Applicable
	Air injection	Pump or pulse	"
		Driven by	"
		Air distribution (head, manifold, etc.)	"
		Point of entry	"
	Exhaust Gas Recirculation	Type (controlled flow, open orifice, other)	3 Sized Orifices Which Are Opened Or Closed Using Pintles, And Solenoids. 8 Flow Combination
		Exhaust source Point of exh.inj. (spacer, carb., manifold, other)	Plenum, Near Throttle Body
	Catalytic Converter	Type	Bed Monolith (Dual)
		Number of	1
		Location(s)	Mounted To Underbody
		Volume L (cu.in)	2.79 (170)
		Substrate type	Ceramic Monolith
		Noble metal type	Platinum (Pt), Rhodium (Rh)
	Crankcase Emission Control	Type (ventilates to atmosphere, induction system, other)	
Energy source (manifold vacuum, carburetor, other)		Plenum Vacuum	
Discharges to (intake manifold, other)		Discharges To Plenum	
Air int/(breather cap, other)		Duct Between Air Cleaner And Throttle Body	
Evaporative Emission Control	Vapor vented to (crankcase, canister, other)	Fuel tank	Fuel Tank To Canister To Throttle Body Port
		Carburetor	Not Applicable
	Vapor storage provision		Canister
Electronic System	Closed loop (yes/no)		Yes
	Open loop (yes/no)		No

Engine - Exhaust System

Type (single, single with cross-over, dual, other)		Single W/Crossover
Muffler no. & type (reverse flow, straight thru, separate resonator) Material & Mass kg (weight lbs.)		Single Reverse Flow
Resonator no. & type		None
Exhaust pipe	Branch o.d., wall thickness	--
	Main o.d., wall thickness	50.8 x 1.07 mm (2.0 x .042 in.)
	Matl. & Mass kg (wght.lbs.)	409 Stainless Steel
Intermediate pipe	o.d. & wall thickness	50.8 x 1.07 mm (2.0 x .042 in.)
	Matl. & Mass kg (wght.lbs.)	409 Stainless Steel
Tail pipe	o.d. & wall thickness	50.8 x 1.07 mm (2.0 x .042 in.)
	Matl. & Mass kg (wght.lbs.)	Aluminized - 409 Stainless Steel

MVMA Specifications

Vehicle Line LUMINA
 Model Year 1992 Issued 9-91 Revised(*) _____

METRIC (U.S. Customary)

Engine Description
 Engine Code

3.4 LITER V6 (207 CID)
 MULTI-PORT FUEL INJECTION RPO LQ1

Vehicle Emission Control

Exhaust Emission Control	Type (air injection, engine modifications, other)		
	Air injection	Pump or pulse	Pump
		Driven by	Electric Motor
		Air distribution (head, manifold, etc.)	Exhaust Manifold
		Point of entry	Exhaust Manifold At Center Of All 6 Ports
	Exhaust Gas Recirculation	Type (controlled flow, open orifice, other)	Controlled Flow
		Exhaust source	
		Point of exh.inj. (spacer, carb., manifold, other)	Plenum Near Throttle Body
	Catalytic Converter	Type	Bed Monolith (Dual)
		Number of	1
		Location(s)	Mounted To Underbody
		Volume L (cu.in)	1.80 (110)
		Substrate type	Ceramic
		Noble metal type	Platinum (Pt.), Rhodium (Rh)
Crankcase Emission Control	Type (ventilates to atmosphere, induction system, other)		Induction System
	Energy source (manifold vacuum, carburetor, other)		Manifold Vacuum
	Discharges to (intake manifold, other)		Inlet Manifold
	Air inlt(breather cap,other)		Duct Between Air Cleaner And Throttle Body
Evaporative Emission Control	Vapor vented to (crankcase, canister, other)	Fuel tank	Fuel Tank To Canister To throttle Body Port
		Carburetor	Not Applicable
	Vapor storage provision		Canister
Electronic System	Closed loop (yes/no)		Yes
	Open loop (yes/no)		No

Engine - Exhaust System

Type (single, single with cross-over, dual, other)		Dual. With Crossover
Muffler no. & type (reverse flow, straight thru, separate resonator) Material & Mass kg (weight lbs.)		Dual, Reverse Flow
Resonator no. & type		69.9 O.D., Round Bottle Straight Thru
Exhaust pipe	Branch o.d., wall thickness	
	Main o.d., wall thickness	63.5 O.D., 1.75 Min., 409 Stainless Steel
	Matl. & Mass kg (wght.lbs.)	409 Stainless Steel
Intermediate pipe	o.d. & wall thickness	57.15 O.D., 1.47 Min.; w/50.8 O.D., Legs. 1.20 Min.
	Matl. & Mass kg (wght.lbs.)	409 Stainless Steel
Tail pipe	o.d. & wall thickness	57.15 O.D., 1.37 Min. Tailpipe Stubs 1.20 Min. Tip
	Matl. & Mass kg (wght.lbs.)	409 Stainless Steel - Painted Stub With 304 Stainless Steel Tip

MVMA Specifications

Vehicle Line LUMINA
 Model Year 1992 Issued 9-91 Revised(*)

METRIC (U.S. Customary)

Engine Description
 Engine Code

2.5 LITER L4 (151 CID)
 ELECTRONIC FUEL INJECTION RPO LR8

○ Transmissions/Transaxle (Std., Opt., N.A.)

Manual 4-speed (manufacturer/country)	Not Available
Manual 5-speed (manufacturer/country)	"
Manual 6-speed (manufacturer/country)	"
Automatic (manufacturer/country)	Hydra-Matic, U.S.A. (MD9)
Auto. overdrive (manufacturer/country)	Not Available

Manual Transmission/Transaxle (NOT APPLICABLE)

Number of forward speeds		
○ Gear ratios	1st	
	2nd	
	3rd	
	4th	
	5th	
	6th	
	Reverse	
Synchronous meshing (specify gears)		
Shift lever location		
Trans. case mat'l. & mass kg (lbs)*		
Lubricant	Capacity L (pt.)	
	Type recommended	

Clutch (Manual Transmission) (NOT APPLICABLE)

Clutch manufacturer		
Clutch type (dry, wet; single, multiple disc)		
Linkage (hyd., cable, rod, lever, other)		
Max. pedal effort (nom. spring load) N (lbs.)	Depressed	
	Released	
Assist (spring, power/percent, nominal)		
Type pressure plate springs		
Total spring load (nominal) N (lbs.)		
Clutch facing	Facing mfr. & matl. coding	
	Facing matl. & construction	
	Rivets per facing	
	Outside x inside dia. (nom.)	
	Total eff. area sq cm(sq in)	
	Thickness (pressure plate side/fly wheel side)	
	Rivet depth (pressure plate side/fly wheel side)	
Engagement cushion method		
Release bearing type & method lub.		
Torsional damping method, springs, hysteresis		

* Includes Shift Linkage, Lubricant, And Clutch Housing. If Other Specify.

MVMA Specifications

Vehicle Line LUMINA
 Model Year 1992 Issued 9-91 Revised(*) _____

METRIC (U.S. Customary)

Engine Description
 Engine Code

3.1 LITER V6 (191 CID)
 MULTI-PORT FUEL INJECTION RPO LHO

○ Transmissions/Transaxle (Std., Opt., N.A.)

Manual 4-speed (manufacturer/country)	Not Available
Manual 5-speed (manufacturer/country)	"
Manual 6-speed (manufacturer/country)	"
Automatic (manufacturer/country)	Standard, Hydra-Matic, U.S. (MD9)
Auto. overdrive (manufacturer/country)	Optional, Hydra-Matic, U.S. (ME9)

Manual Transmission/Transaxle (NOT APPLICABLE)

Number of forward speeds		
○ Gear ratios	1st	
	2nd	
	3rd	
	4th	
	5th	
	6th	
	Reverse	
Synchronous meshing (specify gears)		
Shift lever location		
Trans. case mat'l. & mass kg (lbs)*		
Lubricant	Capacity L (pt.)	
	Type recommended	

Clutch (Manual Transmission) (NOT APPLICABLE)

Clutch manufacturer		
Clutch type (dry, wet; single, multiple disc)		
Linkage (hyd., cable, rod, lever, other)		
Max. pedal effort (nom. spring load) N (lbs./lbs.)	Depressed	
	Released	
Assist (spring, power/percent, nominal)		
Type pressure plate springs		
Total spring load (nominal) N (lbs.)		
Clutch facing	Facing mfr. & matl. coding	
	Facing matl. & construction	
	Rivets per facing	
	Outside x inside dia. (nom.)	
	Total eff. area sq cm(sq in)	
	Thickness (pressure plate side/fly wheel side)	
	Rivet depth (pressure plate side/fly wheel side)	
Engagement cushion method		
Release bearing type & method lub.		
Torsional damping method, springs, hysteresis		

* includes shift linkage, lubricant, and clutch housing. If other specify.

MVMA Specifications

Vehicle Line LUMINA
 Model Year 1992 Issued 9-91 Revised(*)

METRIC (U.S. Customary)

Engine Description
 Engine Code

3.4 LITER V6 (207 CID)
 MULTI-PORT FUEL INJECTION RPO LQ1

○ Transmissions/Transaxle (Std., Opt., N.A.)

Manual 4-speed (manufacturer/country)	
Manual 5-speed (manufacturer/country)	Getrag / U.S.A. (M27)
Manual 6-speed (manufacturer/country)	
Automatic (manufacturer/country)	
Auto. overdrive (manufacturer/country)	Hydra-Matic / U.S.A. (M13)

Manual Transmission/Transaxle

Number of forward speeds		5
○ Gear ratios	1st	3.46
	2nd	2.28
	3rd	1.48
	4th	1.09
	5th	.72
	6th	Not Applicable
	Reverse	3.00
Synchronous meshing (specify gears)		1, 2, 3, 4, 5, and Rev.
Shift lever location		Floor Mount
Trans. case mat'l. & mass kg (lbs)*		Aluminum 48.2 (106.3)
Lubricant	Capacity L (pt.)	2.1 (4.4)
	Type recommended	Synchromesh Transmission Fluid (STF)

Clutch (Manual Transmission)

Clutch manufacturer		Daikin
Clutch type (dry, wet; single, multiple disc)		Dry, Single Disc, Pull Type Clutch
Linkage (hyd., cable, rod, lever, other)		Hydraulic
Max. pedal effort (nom. spring load) N (lbs.)	Depressed	133.4 (30.0)
	Released	133.4 (30.0)
Assist (spring, power/percent, nominal)		None
Type pressure plate springs		Diaphragm
Total spring load (nominal) N (lbs)		7161 (1610)
Clutch facing	Facing mfr. & mat'l. coding	Valeo F-202
	Facing mat'l. & construction	Non-Asbestos
	Rivets per facing	16
	Outside x inside dia. (nom.)	246 x 155mm (9.69 x 6.10 in.)
	Total eff. area sq cm (sq in)	573 (88.85)
	Thickness (pressure plate side/fly wheel side)	3.5/3.2mm (.138/.126 in.)
	Rivet depth (pressure plate side/fly wheel side)	1.6/1.5mm (.063/.059 in.)
Engagement cushion method		Cushion Springs
Release bearing type & method lub.		Self Centering, Angular Contact Ball Bearing Pre-Packed & Sealed
Torsional damping method, springs, hysteresis		Rubber Springs Single Stage With Non-Metal Friction Control

* Includes shift linkage, lubricant, and clutch housing. If other specify.

MVMA Specifications

Vehicle Line LUMINA
 Model Year 1992 Issued 9-91 Revised(*) _____

METRIC (U.S. Customary)

Engine Description
 Engine Code

2.5 LITER L4 (151 CID)
 ELECTRONIC FUEL INJECTION RPO LR8

Automatic Transmission/Transaxle

Trade Name		THM 125c (Hydra-Matic 3T40)
Type and special features (describe)		3-Speed Automatic
Gear selector	Location (column, floor, other)	Column & Floor
	Ltr./No. designation (e.g. PRND21)	P-R-N-D-2-1
	Shift interlock (yes, no, describe)	No
Gear ratios	1st	2.84
	2nd	1.60
	3rd	1.00 (Converter Clutch Engagement)
	4th	Not Applicable
	5th	"
	6th	"
	Reverse	2.07
Max. upshift speed - drive range km/h (mph)		1 - 2 = 66 (41) 2 - 3 = 117 (73)
Max. kickdown speed - drive range km/h (mph)		3 - 2 = 113 (70) 2 - 1 = 60 (37)
Min. overdrive speed km/h (mph)		Not Applicable
Torque converter	Number of elements	3
	Max. ratio at stall	2.48
	Type of cooling (air, liquid)	Liquid
	Nominal diameter	245 mm (9.65 in.)
Capacity factor "K"		203
Lubricant	Capacity refill L (pt.)	8.5 (18.0) (Dry Transmission)
	Type recommended	Dexron II
Oil cooler (std., opt., N.A., internal, external, air, liquid)		Standard, Integral With Radiator
Trans. mass kg (lbs.) & case matl.**		65.7 (144.81), Aluminum

All Wheel / 4 Wheel Drive

(NOT APPLICABLE)

Desc. & type (part-time, full-time, 2/4 shift while moving, mech., elect., chain/gear, etc.)		
Transfer case	Manufacturer and model	
	Type and location	
Low-range gear ratio		
System disconnect (describe)		
Center differential	Type (bevel, planetary, w or w/o viscous bias, torsen, etc.)	
	Torque split(% frt/rear)	

* Input speed / square root of torque.
 ** Dry weight including torque converter. If other, specify.

MVMA Specifications

Vehicle Line LUMINA
 Model Year 1992 Issued 9-91 Revised(*)

METRIC (U.S. Customary)

Engine Description
 Engine Code

3.1 LITER V6 (191 CID)
 MULTI-PORT FUEL INJECTION RPO LHO

Automatic Transmission/Transaxle

Trade Name		Hydra-Matic 3T40	Hydra-Matic 4T60
Type and special features (describe)		3-Speed Automatic	4-Speed Automatic
Gear selector	Location (column, floor, other)	Column & Floor	Column & Floor
	Ltr./No. designation (e.g. PRND21)	P-R-N-D-2-1	P-R-N-(D)-D-2-1
	Shift interlock (yes, no, describe)	No	No
Gear ratios	1st	2.84	2.92
	2nd	1.60	1.57
	3rd	1.00 (Converter Clutch Engagement)	1.00 (Converter Clutch Engagement)
	4th	Not Applicable	0.71 (Converter Clutch Engagement)
	5th	"	Not Applicable
	6th	"	"
	Reverse	2.07	2.39
Max. upshift speed - drive range km/h (mph)		1-2 = 61 (38) 2-3 = 119 (74)	1-2 = 64 (40) 2-3 = 119 (74)
Max. kickdown speed - drive range km/h (mph)		3-2 = 116 (72) 2-1 = 53 (33)	4-3 = 161 (100) 3-2 = 108 (67) 2-1 = 58 (36)
Min. overdrive speed km/h (mph)		Not Applicable	70 (43.5)
Torque converter	Number of elements	3	3
	Max. ratio at stall	2.35	2.22
	Type of cooling (air, liquid)	Liquid	Liquid
	Nominal diameter	245mm (9.8 in.)	245mm (9.8 in.)
	Capacity factor "K"	177	177
Lubricant	Capacity refill L (pt.)	8.5 (17.85) Dry Transmission	8.0 (16.9)
	Type recommended	Dexron II	Dexron II
Oil cooler (std., opt., N.A., internal, external, air, liquid)		Standard, Integral Part Of Radiator	Standard, Integral Part Of Radiator
Trans. mass kg (lbs.) & case matl.**		85.7 (144.54)	78.2 (172.50), Dry Transmission

All Wheel / 4 Wheel Drive

(NOT APPLICABLE)

Desc. & type (part-time, full-time, 2/4 shift while moving, mech., elect., chain/gear, etc.)		
Transfer case	Manufacturer and model	
	Type and location	
Low-range gear ratio		
System disconnect (describe)		
Center differential	Type (bevel, planetary, w or w/o viscous bias, torsen, etc.)	
	Torque split(% frt/rear)	

* Input speed / square root of torque.
 ** Dry weight including torque converter. If other, specify.

MVMA Specifications

Vehicle Line LUMINA
 Model Year 1992 Issued 9-91 Revised(*)

METRIC (U.S. Customary)

Engine Description
 Engine Code

3.4 LITER V6 (207 CID)
 MULTI-PORT FUEL INJECTION RPO LQ1

Automatic Transmission/Transaxle

Trade Name		Hydra-Matic (4T60E)
Type and special features (describe)		4-Speed Automatic Electronically Controlled Shift Pattern
Gear selector	Location (column, floor, other)	Floor
	Ltr./No. designation (e.g. PRND21)	P-R-N- D -D-2-1
	Shift interlock (yes, no, describe)	No
Gear ratios	1st	2.92
	2nd	1.57
	3rd	1.00
	4th	.71
	5th	Not Applicable
	6th	"
	Reverse	2.39
Max. upshift speed - drive range km/h (mph)		1-2 = 72 (45) 3-4 = 167 (104) 2-3 = 130 (81)
Max. kickdown speed - drive range km/h (mph)		2-1 = 56 (35) 4-3 = 154 (96) 3-2 = 116 (72)
Min. overdrive speed km/h (mph)		2-1 = 10 (6), 3-2 = 27 (17), 4-3 = 34 (21)
Torque converter	Number of elements	3
	Max. ratio at stall	1.8
	Type of cooling (air, liquid)	Liquid
	Nominal diameter	245mm (9.7 in.)
	Capacity factor "K"	180
Lubricant	Capacity refill L (pt.)	10.42 (22.1), Dry Transmission
	Type recommended	Dexron II
Oil cooler (std., opt., N.A., internal, external, air, liquid)		Standard, Liquid For Internal (Radiator) & Air (External)
Trans. mass kg (lbs) & case matl.**		81.0 (178.50), Dry Transmission

All Wheel / 4 Wheel Drive

(NOT APPLICABLE)

Desc. & type (part-time, full-time, 2/4 shift while moving, mech., elect., chain/gear, etc.)		
Transfer case	Manufacturer and model	
	Type and location	
Low-range gear ratio		
System disconnect (describe)		
Center differential	Type (bevel, planetary, w or w/o viscous bias, torsen, etc.)	
	Torque split(% frt/rear)	

* Input speed / square root of torque.
 ** Dry weight including torque converter. If other, specify.

MVMA Specifications

Vehicle Line LUMINA
 Model Year 1982 Issued 9-81 Revised(*)

METRIC (U.S. Customary)

Engine Description

2.5 LITER L4 (151 CID)

Engine Code

ELECTRONIC FUEL INJECTION RPO LR8

Axle Ratio and Tooth Combinations

(See 'Power Teams' for axle ratio usage)

AUTOMATIC TRANS (MD9)

Effective final drive ratio (or overall top gear ratio)		3.18
Transr ratio and method(chain,gear,etc)		1.12 Chain
Front drive unit	Ring gear o.d.	Not Applicable
	No. of teeth	"
	Pinion	"
	Ring gear	"

Front Drive Unit

Description (integral to trans., etc.)		Planetary Final Drive Integral With Transmission
Limited slip differential (type)		Not Applicable
Drive pinion	Type	"
	Offset	"
No. of differential pinions		2
Pinion/differential	Adjustment (shim, etc.)	Not Applicable
	Bearing adjustment	"
Driving wheel bearing (type)		
Lubricant	Capacity L (pt.)	8.5 (18.0), Dry Transmission
	Type recommended	Dexron II

Axle Shafts - Front Wheel Drive

Manufacturer and number used		2 Per Car	
Type (straight, solid bar, tubular, etc.)	Left	Straight Solid Bar	
	Right	Straight Solid Bar	
Outer diam. x length* x wall thickness	Manual transaxle	Left	Not Applicable
		Right	"
	Automatic transaxle	Left	23.81 X 337.0mm (.94 x 13.3 in.)
		Right	23.81 x 447.7mm (.94 x 17.6 in.)
	Optional transaxle	Left	--
		Right	--
Slip yoke	Type	--	
	Number of teeth	--	
	Spline o.d.	--	
Universal joints	Make and mfg. no.	Inner	Saginaw Division
		Outer	Saginaw Division
	Number used		4, 2 On Each Shaft
	Type, size, plunge	Inner	Tripot Joint, 23 Size 61mm
		Outer	Rzeppa Joint, Fixed, 23 Size
	Attach (u-bolt, clamp, etc.)		Inboard Joint-Snap Ring, Outboard Joint (Nut/Washer-Clamping)
	Bearing	Type (plain, anti-friction)	Inboard Joint: Ball Bearing, Needle Roller Bearing (Anti-Friction Bearing) Outboard Joint: Ball Bearing
Lubrication (fitting, prepack)		Prepacked	
Drive taken through (torque tube, arms or springs)		Front Wheel Drive Shafts	
Torque taken through (torque tube, arms or springs)		Engine Mounting System	

* Centerline to centerline of universal joints, or to centerline of attachment.

MVMA Specifications

Vehicle Line LUMINA
 Model Year 1992 Issued 9-91 Revised(*)

METRIC (U.S. Customary)

Engine Description 3.1 LITER V6 (191 CID)
 Engine Code MULTI-PORT FUEL INJECTION RPO LHO

Axle Ratio and Tooth Combinations (See 'Power Teams' for axle ratio usage) AUTOMATIC TRANS (ME9)

Effective final drive ratio (or overall top gear ratio)		3.33 (2.35)
Transfr ratio and method(chain,gear,etc)		1.00 Chain
Front drive unit	Ring gear o.d.	Not Applicable
	No. of teeth	"
	Pinion	"
	Ring gear	"

Front Drive Unit

Description (integral to trans., etc.)		Planetary Final Drive Integral With Transmission
Limited slip differential (type)		Not Applicable
Drive pinion	Type	"
	Offset	"
No. of differential pinions		2
Pinion/differential	Adjustment (shim, etc.)	Not Applicable
	Bearing adjustment	"
Driving wheel bearing (type)		
Lubricant	Capacity L (pt.)	8.0 (16.9)
	Type recommended	Dexron II

Axle Shafts - Front Wheel Drive

Manufacturer and number used		2 Per Car	
Type (straight, solid bar, tubular, etc.)	Left	Straight Solid Bar	
	Right	Straight Solid Bar	
Outer diam. x length* x wall thickness	Manual transaxle	Left	Not Applicable
		Right	"
	Automatic transaxle	Left	27.06 x 326.0mm (1.07 x 12.83 in.)
		Right	27.06 x 407.3mm (1.07 x 16.03 in.)
	Optional transaxle	Left	--
		Right	--
Slip yoke	Type	--	
	Number of teeth	--	
	Spine o.d.	--	
Universal joints	Make and mfg. no.	Inner	Saginaw Division
		Outer	Saginaw Division
	Number used		4, 2 On Each Shaft
	Type, size, plunge	Inner	Tripot Joint, 27 Size 66mm
		Outer	Rzeppa Joint, Fixed, 27 Size
	Attach (u-bolt, clamp, etc.)		Inboard Joint-Snap Ring, Outboard Joint (Nut/Washer-Clamping)
	Bearing	Type (plain, anti-friction)	Inboard Joint: Ball Bearing, Needle Roller Bearing (Anti-Friction Bearing) Outboard Joint: Ball Bearing
Lubrication (fitting, prepack)		Prepacked	
Drive taken through (torque tube, arms or springs)		Front Wheel Drive Shafts	
Torque taken through (torque tube, arms or springs)		Engine Mounting System	

* Centerline to centerline of universal joints, or to centerline of attachment.

MVMA Specifications

Vehicle Line LUMINA
 Model Year 1992 Issued 9-91 Revised(*)

METRIC (U.S. Customary)

Engine Description **3.1 LITER V6 (181 CID)**
 Engine Code **MULTI-PORT FUEL INJECTION RPO LHO**

Axle Ratio and Tooth Combinations (See 'Power Teams' for axle ratio usage) **AUTOMATIC TRANS (MD9)**

Effective final drive ratio (or overall top gear ratio)		2.84
Transfr ratio and method(chain,gear,etc)		1.00 Chain
Front drive unit	Ring gear o.d.	Not Applicable
	No. of teeth	"
	Pinion	"
	Ring gear	"

Front Drive Unit

Description (integral to trans., etc.)		Planetary Final Drive Integral With Transmission
Limited slip differential (type)		Not Applicable
Drive pinion	Type	"
	Offset	"
No. of differential pinions		2
Pinion/differential	Adjustment (shim, etc.)	Not Applicable
	Bearing adjustment	"
Driving wheel bearing (type)		
Lubricant	Capacity L (pt.)	8.5 (18.0)
	Type recommended	Dexron II

Axle Shafts - Front Wheel Drive

Manufacturer and number used		2 Per Car		
Type (straight, solid bar, tubular, etc.)	Left	Straight, Solid Bar		
	Right	Straight, Solid Bar		
Outer diam. x length* x wall thickness	Manual transaxle	Left	Not Applicable	
		Right	"	
	Automatic transaxle	Left	23.8 x 337.0mm (0.937 x 13.27 in.)	
		Right	23.8 x 447.7mm (0.937 x 17.63 in.)	
	Optional transaxle	Left	--	
		Right	--	
Slip yoke	Type	--		
	Number of teeth	--		
	Spline o.d.	--		
Universal joints	Make and mfg. no.	Inner	Saginaw Division	
		Outer	Saginaw Division	
	Number used	4, 2 On Each Shaft		
	Type, size, plunge	Inner	Tripot Joint, 23 Size 61mm Plunge	
		Outer	Rzeppa Joint, Fixed, 23 Size	
	Attach (u-bolt, clamp, etc.)	Inboard Joint-Snap Ring, Outboard Joint (Nut/Washer-Clamping)		
	Bearing	Type (plain, anti-friction)	Inboard Joint: Ball Bearing, Needle Roller Bearing (Anti-Friction Bearing) Outboard Joint: Ball Bearing	
Lubrication (fitting, prepack)		Prepacked		
Drive taken through (torque tube, arms or springs)		Front Wheel Drive Shafts		
Torque taken through (torque tube, arms or springs)		Engine Mounting System		

* Centerline to centerline of universal joints, or to centerline of attachment.

MVMA Specifications

Vehicle Line LUMINA
 Model Year 1992 Issued 9-91 Revised(*)

METRIC (U.S. Customary)

Engine Description **3.4 LITER V6 (207 CID)**
 Engine Code **MULTI-PORT FUEL INJECTION RPO LQ1**

Axle Ratio and Tooth Combinations (See 'Power Teams' for axle ratio usage) AUTOMATIC TRANS (M13)

Effective final drive ratio (or overall top gear ratio)		3.43 (2.41)
Transfr ratio and method(chain,gear,etc)		
Front drive unit	Ring gear o.d.	
	No. of teeth	Pinion
		Ring gear

Front Drive Unit

Description (integral to trans., etc.)		Integral To Transmission
Limited slip differential (type)		Not Applicable
Drive pinion	Type	"
	Offset	"
No. of differential pinions		2
Pinion/differential	Adjustment (shim, etc.)	None
	Bearing adjustment	None
Driving wheel bearing (type)		Sealed Ball Bearing
Lubricant	Capacity L (pt.)	Part Of Automatic Transmission
	Type recommended	Automatic Transmission Fluid

Axle Shafts - Front Wheel Drive

Manufacturer and number used		Saginaw Division, 2		
Type (straight, solid bar, tubular, etc.)	Left	Straight, Solid Bar		
	Right	Straight, Solid Bar		
Outer diam. x length* x wall thickness	Manual transaxle	Left	Not Applicable	
		Right	"	
	Automatic transaxle	Left	27.1 x 326 mm (1.07 x 12.83 in.)	
		Right	27.1 x 360 mm (1.07 x 14.17 in.)	
	Optional transaxle	Left	Not Available	
		Right	"	
Slip yoke	Type	Not Applicable		
	Number of teeth	"		
	Spline o.d.	"		
Universal joints	Make and mfg. no.	Inner	Saginaw Division	
		Outer	Saginaw Division	
	Number used		Inboard & Outboard On Each Shaft Asm.	
	Type, size, plunge	Inner	Tripot - 27 Size 66mm Plunge	
		Outer	Rzeppa Joint, 27 Size Fixed Center	
	Attach (u-bolt, clamp, etc.)		Retaining Ring	
	Bearing	Type (plain, anti-friction)	Inner - Ball & Roller Outer - Ball	
Lubrication (fitting, prepack)		Prepacked		
Drive taken through (torque tube, arms or springs)		Wishbone Lower Control Arm, Upper MacPherson Strut		
Torque taken through (torque tube, arms or springs)		Engine Mounting System		

* Centerline to centerline of universal joints, or to centerline of attachment.

MVMA Specifications

Vehicle Line LUMINA
 Model Year 1982 Issued 9-81 Revised(*)

METRIC (U.S. Customary)

Engine Description **3.4 LITER V6 (207 CID)**
 Engine Code **MULTI-PORT FUEL INJECTION RPO LQ1**

Axle Ratio and Tooth Combinations (See 'Power Teams' for axle ratio usage) MANUAL TRANS (M27)

Effective final drive ratio (or overall top gear ratio)		3.67 (2.64)	
Tmsfr ratio and method(chain,gear,etc)		Not Applicable	
Front drive unit	Ring gear o.d.	204.88 mm	
	No. of teeth	Pinion	18
		Ring gear	66

Front Drive Unit

Description (integral to trans., etc.)		Integral To Transmission
Limited slip differential (type)		Not Applicable
Drive pinion	Type	"
	Offset	"
No. of differential pinions		2
Pinion/differential	Adjustment (shim, etc.)	None
	Bearing adjustment	None
Driving wheel bearing (type)		Sealed Ball Bearing
Lubricant	Capacity L (pt.)	2.1 (4.41)
	Type recommended	Sychromesh Transmission Fluid (STF)

Axle Shafts - Front Wheel Drive

Manufacturer and number used			Saginaw Division, 2	
Type (straight, solid bar, tubular, etc.)	Left	Straight Solid		
	Right	Straight Solid		
Outer diam. x length* x wall thickness	Manual transaxle	Left	27.1 x 326 mm (1.07 x 12.83 in.)	
		Right	27.1 x 326 mm (1.07 x 12.83 in.)	
	Automatic transaxle	Left	Not Applicable	
		Right	"	
	Optional transaxle	Left	Not Available	
		Right	"	
Slip yoke	Type	Not Applicable		
	Number of teeth	"		
	Spine o.d.	"		
Universal joints	Make and mfg. no.	Inner	Saginaw Division	
		Outer	Saginaw Division	
	Number used		Inboard & Outboard On Each Shaft Asm.	
	Type, size, plunge	Inner	Tripot Joint - 27 Size 66mm Plunge	
		Outer	Rzeppa Joint, 27 Size Fixed Center	
	Attach (u-bolt, clamp, etc.)		Retaining Ring	
Bearing	Type (plain, anti-friction)	Inner - Ball & Roller Outer - Ball		
	Lubrication (fitting, prepack)	Prepacked		
Drive taken through (torque tube, arms or springs)			Wishbone Lower Control Arm, Upper MacPherson Strut	
Torque taken through (torque tube, arms or springs)			Engine Mounting System	

* Centerline to centerline of universal joints, or to centerline of attachment.

MVMA Specifications

METRIC (U.S. Customary)

Vehicle Line LUMINA
 Model Year 1992 Issued 9-91 Revised(*) _____

Model Code/Description And/Or
 Engine Code/Description

COUPE / SEDAN (EXCEPT 3.4L ENGINE)

Suspension - General Including Electronic Controls

Car leveling	Std./opt./n.a.	Not Available	
	Manual/automatic control		
	Type (air/hydraulic)	Air	
	Primary/assist spring	Not Available	
	Rear only/4 wheel leveling	"	
	Single/dual rate spring	"	
	Single/dual ride heights	"	
Shock absorber damping controls	Provision for jacking	Body Rails, Under Rocker Panels	
	Standard/opt./n.a.	Not Available	
	Manual/automatic control	"	
	Number of damping rates	"	
	Type of actuation (manual/electric motor/air, etc.)	"	
	s e n s o r s	Lateral acceleration	"
		Deceleration	"
Acceleration		"	
Road surface		"	
Shock absorber (front & rear)	Type	MacPherson Strut Front, Tubular Rear	
	Make	Delco Products Division	
	Piston diameter	35.0 mm (1.38 in.)	
	Rod diameter	25.0 mm (1.00 in.)	

Suspension - Front

Type and description	MacPherson Strut With Coil Springs, One-Piece "A" Configuration Lower Control Arms.	
Travel	Full jounce (define load condition)	78 mm (3.07 in.)
	Full rebound	95mm (3.74 in.)
O Spring	Type,(coil,leaf,other&matl)	Coil
	Insulators (type & matl)	Rubber
	Size (Leaf: length & width; Coil: design height & i.d.; Bar: length & diameter)	Coil: 200.3 mm (7.89 in.); 173 mm (6.81 in.)
	Spring rate N/mm (lb./in.)	16.0 (91.4), Std. & "Soft" Eurosport (FEZ); 19.5 (111.4), Eurosport (F41)
	Rate @ wheel N/mm (lb./in)	22.0 (125.6); 24.0 (137.1)
O Stabilizer	Type (link, linkless, frmless)	Bar, Standard, All Applications
	Material & O.D. bar/tube, wall thickness	Steel, 30 mm (1.18 in.) - Solid

Suspension - Rear

Type and description	Tri-Link Independent With Transverse Leaf Spring, Tubular Struts, Large Lateral Links Attached To Body Cross Member, Trailing Arms	
Travel	Full jounce (define load condition)	107 mm (4.21 in.)
	Full rebound	105 mm (4.13 in.)
O Spring	Type(coil,leaf,other&matl)	Leaf, Fiberglass
	Size (Leaf: length & width; Coil: design height & i.d.; Bar: length & diameter)	Size: Length, 1342 mm (52.8 in.) / Width, 70 mm (2.8 in.) @ Center, 100 mm (3.9 in.) @ Ends
	Spring rate N/mm (lb/in)	13.0 (74.2)
	Rate @ wheel N/mm (lb/in)	13.9 (79.4)
	Insulators(type & material)	Rubber
	If leaf	No. of leaves
Shackle(comp or tens)		--
O Stabilizer	Type(link,linkless,frmless)	Link
	Material & O.D. bar/tube, wall thickness	Steel, No Bar For Base Suspension; 12 mm (.472 in.) Solid Bar For Eurosport Suspensions
Track bar (type)	Not Applicable	

MVMA Specifications

Vehicle Line LUMINA
 Model Year 1992 Issued 9-91 Revised(*) _____

METRIC (U.S. Customary)

Model Code/Description And/Or
 Engine Code/Description

COUPE / SEDAN (3.4L DOHC ENGINE)

Suspension - General Including Electronic Controls

Car leveling	Std./opt./n.a.	Not Available	
	Manual/automatic control		
	Type (air/hydraulic)	Air	
	Primary/assist spring	Not Available	
	Rear only/4 wheel leveling	"	
	Single/dual rate spring	"	
	Single/dual ride heights	"	
Shock absorber damping controls	Provision for jacking	Body Rails, Under Rocker Panels	
	Standard/opt./n.a.	Not Available	
	Manual/automatic control	"	
	Number of damping rates	"	
	Type of actuation (manual/electric motor/air, etc.)	"	
	s e n s o r s	Lateral acceleration	"
		Deceleration	"
Acceleration		"	
Road surface		"	
Shock absorber (front & rear)	Type	MacPherson Strut Front, Tubular Rear	
	Make	Delco Products Division	
	Piston diameter	35.0 mm (1.38 in.)	
	Rod diameter	25.0 mm (1.00 in.)	

Suspension - Front

Type and description	MacPherson Strut With Coil Springs, One-Piece "A" Configuration Lower Control Arms.	
Travel	Full jounce (define load condition)	78 mm (3.07 in.)
	Full rebound	95 mm (3.74 in.)
O Spring	Type (coil, leaf, other & matl)	Coil
	Insulators (type & matl)	Rubber
	Size (Leaf: length & width; Coil: design height & i.d.; Bar: length & diameter)	Coil: 200.3 mm (7.89 in.); 173 mm (6.81 in.)
	Spring rate N/mm (lb./in.)	23.5 (134.2)
	Rate @ wheel N/mm (lb./in)	26.8 (153.0)
O Stabilizer	Type (link, in.kless, fr.miess)	Bar, Standard, All Applications
	Material & O.D. bar/tube, wall thickness	Steel, 34 mm (1.34 in.) - Hollow (Wall Thickness = 5.1 mm)

Suspension - Rear

Type and description	Tri-Link Independent With Transverse Leaf Spring, Tubular Struts, Large Lateral Links Attached To Body Cross Member, Trailing Arms	
Travel	Full jounce (define load condition)	107 mm (4.21 in.)
	Full rebound	105 mm (4.13 in.)
O Spring	Type (coil, leaf, other & matl)	Leaf, Fiberglass
	Size (Leaf: length & width; Coil: design height & i.d.; Bar: length & diameter)	Size: Length, 1342 mm (52.8 in.) / Width, 70 mm (2.8 in.) @ Center, 100 mm (3.9 in.) @ Ends
	Spring rate N/mm (lb/in)	15.5 (88.5)
	Rate @ wheel N/mm (lb/in)	16.3 (93.1)
	Insulators (type & material)	Rubber
	if leaf	No. of leaves
Shackle (comp or tens)		--
O Stabilizer	Type (link, in.kless, fr.miess)	Link
	Material & O.D. bar/tube, wall thickness	Steel, 14 mm (0.551 in.) Solid
Track bar (type)	Not Applicable	

MVMA Specifications

METRIC (U.S. Customary)

Vehicle Line LUMINA
 Model Year 1992 Issued 9-91 Revised(*)

Model Code/Description And/Or
 Engine Code/Description
Brakes - Service

COUPE / SEDAN

Description		Vacuum Powered, Hydraulically Actuated Four Wheel Disc Standard. Antilock Brake System Optional.	
Manufacturer and brake type (std., opt., n.a.)	Front (disc or drum)	Disc, Delco Moraine NDH	
	Rear (disc or drum)	Disc, Delco Moraine NDH	
Valving type(prop, delay, metering, other)		Proportioning	
Power brake (std., opt., n.a.)		Standard	
Booster type(rmt, intrl, vac., hyd., etc.)		Vacuum Standard	
Vacuum	Source (in line, pump, etc.)	Engine	
	Reservoir (volume cu. in.)		
	Pump-type	None	
Traction Control	Operational speed range	None	
	Type (engine or brake intervention)	None	
Antilock device	Front/rear (std., opt., n.a.)	Std. - Euro & Z34; Opt - Base Lumina	
	Manufacturer	Delco Moraine NDH	
	Type (electronic, mech.)	Electronic, Microprocessor Controlled	
	Number sensors or circuits	4 Sensors	
	No. antilock hyd. circuits	4 (But Rears Controlled Together)	
	Integral or add-on system	Add-On Mounted To Master Cylinder (Hooks Integral)	
	Yaw control (yes, no)	Yes	
Hydraulic power source		Not Applicable	
Effective area sq. cm. (sq. in.)*		283.9 (44.0), 4 Wheels	
Gross Lng area sq cm (sq in)** (F/R)		167.7 (26.0) Front/116.1 (18.0) Rear	
Swept area sq cm (sq in)*** (F/R)		1090.9 (169.09) Frt. Axle/926.4 (143.8) Rr. Axle	
Rotor	Outer working diameter	F/R	267/256.5 mm (10.51/10.1 in.)
	Inner working diameter	F/R	191/190.5mm (7.52/7.5 in.)
	Thickness	F/R	26.3/12.5 mm (1.04/.492 in.)
	Matl & type (vented/sld)	F/R	Composite Vented/Composite Solid
Drum	Diameter & width	F/R	Not Applicable
	Type and material	F/R	"
Wheel cylinder bore		42mm Dual Bore - Front	
Master cylinder	Bore/stroke	F/R	24.0/35.22 Total
Pedal arc ratio		3.5:1	
Line pressure at 445 N (100 lb.) pedal load kPa (psi)			
Lining clearance		F/R	
Brake lining	Front wheel	Bonded or riveted	Integrally Molded
		Rivet size	---
		Manufacturer	Delco Moraine NDH
		Lining code ****	DM128FE
		Material	Semi-Metallic
		**** Pri. or out-brd	119.4 x 38.1 mm/(4.7 x 1.5 in.)
		Size Sec. or in-brd	119.4 x 38.1 mm/(4.7 x 1.5 in.)
	Shoe thcknss. (no lng)	4.98mm (.196 in.)	
	Rear wheel	Bonded or riveted	Integrally Molded
		Manufacturer	Delco Moraine NDH
		Lining code ****	DM128FE
		Material	Semi-Metallic
		**** Pri. or out-brd	83.8 x 33.0 mm/(3.3 x 1.3 in.)
		Size Sec. or in-brd	102.9 x 33.0 mm/(4.05 x 1.3 in.)
Shoe thcknss (no lng)		4.98mm (.196 in.)	

* Excludes rivet holes, grooves, chamfers, etc. **Includes rivet holes, grooves, chamfers, etc.
 *** Total swept area for four brakes. (Drum brake: Widest lining contact width for each brake x its contact circum.)
 (Disc brake: Square of Outer Working Dia. - Square of inner Working Dia. X Pi/2 for each brake.)
 **** Size for drum brakes includes length x width x thickness.
 ***** Manufacturer I.D., catalog for formulation designation and coefficient of friction classification.

MVMA Specifications

Vehicle Line LUMINA
 Model Year 1992 Issued 9-91 Revised(*) _____

METRIC (U.S. Customary)

Model Code/Description And/Or
 Engine Code/Description

COUPE / SEDAN

Tires And Wheels (Standard)

Tires	Size (load range, ply)		P195/75R14-ALS BW
	Type (bias, radial, etc.)		Steel Belted Radial (2 Ply)
	Inflation pressure (cold) for recommended max. vehicle load	Front kPa (psi)	205 (30)
		Rear kPa (psi)	205 (30)
Rev/mile-at 70 km/h(45mph)		508	
Wheels	Type & material		Stamped Steel
	Rim (size & flange type)		14 x 5.5
	Wheel offset		39.5mm (1.56 in.)
	Attachment	Type(bolt,stud)	Stud (M12 x 1.5)
		Circle diameter	115mm (4.52 in.)
Number & size		5 & M12	
Spare	Tire and wheel		Compact Spare T125/70D15 15 x 4 Wheel
	Storage position & location (describe)		Horizontal, Under Trunk Compartment Load Floor

Tires And Wheels (Optional)

Tire size (load range, ply)	P205/70R15 - AL2 BL
Type (bias, radial, steel, nylon, etc.)	Steel Belted Radial
Wheel (type & material)	Stamped Steel
Rim (size, flange type and offset)	15 x 6 (42mm Offset)
Tire size (load range, ply)	P205/70R15-AL2 BL
Type (bias, radial, steel, nylon, etc.)	Steel Belted Radial
Wheel (type & material)	Cast Aluminum
Rim (size, flange type and offset)	15 x 6 (40 mm Offset)
Tire size (load range, ply)	P215/60R16 - AL2 BL
Type (bias, radial, steel, nylon, etc.)	Steel Belted Radial
Wheel (type & material)	Cast Aluminum
Rim (size, flange type and offset)	16 x 6.5 (38mm Offset)
Tire size (load range, ply)	P225/60R16 - AL3 BL
Type (bias, radial, steel, nylon, etc.)	Steel Belted Radial
Wheel (type & material)	Cast Aluminum
Rim (size, flange type and offset)	16 x 6.5 (38 mm Offset)
Spare tire and wheel size	
(if configuration is different than road tire or wheel, describe optional spare tire and/or wheel location & storage position)	

Brakes - Parking

Type of control	Multi-Stroke Foot Pedal Application, Hand Release	
Location of control	Hand Release, Under Instrument Panel, Left Of Driver's Left Knee	
Operates on	Rear Service Brakes	
If separate from service brakes	Type(internal or external)	--
	Drum diameter	--
	Lining size (length x width x thickness)	--

MVMA Specifications

Vehicle Line LUMINA
 Model Year 1992 Issued 9-91 Revised(*) _____

METRIC (U.S. Customary)

Model Code/Description And/Or
 Engine Code/Description

COUPE / SEDAN

Steering

Manual (std., opt., n.a.)		Not Available		
Power (std., opt., n.a.)		Standard		
<input type="radio"/>	Speed-sensitive (std., opt., n.a.)	Not Available		
<input type="radio"/>	4-wheel steering (std., opt., n.a.)	Not Available		
Adjustable steering wheel/column (tilt, telescope, other)	Type	Tilt		
	Manufacturer	Saginaw Division		
	(std., opt., n.a.)	Optional		
Wheel diameter ** (W9) SAE J1100	Manual	Not Available		
	Power	380.0 mm		
Turning diameter m (ft.)	Out-side front	Wall to wall (l. & r.)	Not Available	
		Curb to curb (l. & r.)	FE1 - 11.2 (36.7); F41 - 11.88 (39.0); FE2 - 11.88 (39.0); FE3 - 11.88 (39.0)	
	In-side rear	Wall to wall (l. & r.)	Not Available	
		Curb to curb (l. & r.)	7.16 (23.6)	
Scrub Radius *		Base - 15.78mm; Touring - 16.39; Sport - 24.05		
Manual	Gear	Type	Not Available	
		Manufacturer	"	
		Ratios	Gear	"
			Overall	"
	No. wheel turns(stop to stop)		"	
Power	Type (coaxial, elec. hyd., etc.)		Hydraulic	
	Manufacturer		Saginaw Division	
	Gear	Type	End Take-Off Rack And Pinion	
		Ratios	Gear	
			Overall	17.5:1 FE1, 15.7:1 F41, 15.7:1 FE2, 14:1 FE3
	Pump (drive)		Belt	
No. wheel turns(stop to stop)		3.05 FE1, 2.60 F41, 2.60 FE2, 2.26 FE3		
Linkage	Type		End Take-Off	
	Location (front or rear of wheels, other)		Rear	
	Tie Rods (one or two)		2	
Steering axis	Inclination at camber (deg.)		13.4	
	Bear-ings (type)	Upper	Ball Bearing	
		Lower	Ball Joint	
		Thrust	Not Applicable	
Steering spindle/knuckle & joint type		MacPherson Strut		

* The horizontal distance in the front elevation between wheel centerline and kingpin (ball joint) axis at ground.
 ** See Page 22.

MVMA Specifications

METRIC (U.S. Customary)

Vehicle Line LUMINA
 Model Year 1992 Issued 9-91 Revised(*)

Model Code/Description And/Or
 Engine Model/Code

COUPE/SEDAN

Wheel Alignment

Front wheel at curb mass (wt.)	Service checking	Caster (deg.)	2.0 (+/-) .5
		Camber (deg.)	0.7 (+/-) .5
		Toe-in outside track - mm (in.)	0.0 (+/-) .1/Wheel-In
	Service reset*	Caster (deg.)	Pre-set
		Camber (deg.)	0.7 (+/-) .5
		Toe-in - mm(in.)	0.0 (+/-) .1/Wheel-In
Periodic M.V. in-spection	Caster (deg.)		
	Camber (deg.)		
	Toe-in - mm(in.)		
Rear wheel at curb mass (wt.)	Service checking	Camber (deg.)	0.10 (+/-) 0.50
		Toe-in outside track - mm (in.)	
	Service reset*	Camber (deg.)	0.10 (+/-) 0.50
		Toe-in - mm(in.)	
	Periodic M.V. in-spection	Camber (deg.)	
		Toe-in - mm(in.)	

* Indicates pre-set, adjustable, trend set or other.

Electrical - Instruments and Equipment

Speedometer	Type (analog, digital, std., opt.)	Analog/Analog
	Trip odometer (std., opt., n.a.)	Not Available/Mechanical
Head-up display	Std., opt., not avail.	Not Available
	Type - Secondary, Opto-electronic	"
	Speedometer	Digital
	Status/warn. indicators - Turn signals, high beam, low fuel, check gauges	"
	Brightness control	Day/night mode, adj.
	EGR maintenance indicator	"
Charge indicator	Type	Not Available
	Warning device (light, audible)	Tell-Tale Light
Temperature indicator	Type	Not Available/Analog
	Warning device	Tell-Tale Light
Oil pressure indicator	Type	Not Available/Analog
	Warning device	Tell-Tale Light
Fuel indicator	Type	Analog/Analog
	Warning device	Not Available
Windshield wiper	Type (standard)	Modular/Depressed Park/Pulse Wiper
	Type (optional)	Not Available
	Blade length	508 mm (20.0 in.)
	Swept area sq cm (sq in)	Coupe: 6692.0 (1037.3)/Sedan: 6742.7 (1045.1)
Windshield washer	Type (standard)	Wet-Arm System
	Type (optional)	Not Available
	Fluid level indicator	Not Available
Rear window wiper, wiper/washer (std., opt., n.a.)		Not Available
Horn	Type	Vibrator
	Number used	2
Other	PRNDL	Mechanical/Mechanical
	Odometer	Mechanical/Mechanical
	Tachometer	Not Available/Analog

MVMA Specifications

Vehicle Line LUMINA
 Model Year 1992 Issued 9-91 Revised(*) _____

METRIC (U.S. Customary)

Engine Code/Description

2.5 LITER L4 (151 CID)
 ELECTRONIC FUEL INJECTION RPO LR8

Electrical - Supply System

Battery	Manufacturer	Delco Remy
	Model, std., (opt.)	75 - 630
	Voltage	12
	Amps at 0 deg F cold crnk	630
	Minutes-reserve capacity	90
	Amps/hrs. - 20 hr. rate	54
	Location	Engine Compartment
Alternator	Manufacturer	Delco Remy
	Rating (idle/max. rpm)	36/100 Amps
	Ratio (alt. crank/rev.)	2.74:1 Alternator: Crank
	Output at idle (rpm, park)	62 Amps
	Optional (type & rating)	Not Applicable
Regulator	Type	Integral With Alternator

Electrical - Starting System

Motor	Manufacturer	Delco Remy
	Curr.dr. -29 (-20) deg C(F)	350 Amps
	Power rating kw (hp)	1.4 (1.9)
Motor drive	Engagement type	Solenoid Operated Shift Lever
	Pinion engages from (front, rear)	Front

Electrical - Ignition System

Type	Electronic (std. opt.n.a.)	Electronic - Direct Ignition	
	Other (specify)	Composite Unit Consists Of Two Coils & Electronic Control Module	
Coil	Manufacturer	Delco Remy	
	Model	1103781	
	Current	Engine stopped-A	Less Than 100 ma
		Engine idling - A	Less Than 1 Amp (Average)
Spark plug	Manufacturer	AC/Rochester Products	
	Model	R43TS6	
	Thread (mm)	14 x 1.25	
	Tightening torque Newton meters (lb. ft.)	10 - 20 (7-15)	
	Gap	1.5 mm (.060)	
	Number per cylinder	1	
Distributor	Manufacturer	Not	
	Model	Applicable	

Electrical - Suppression

Locations & type	Alternator Internal Capacitor Suppression Ignition - Internal Resistor/Capacitor Networks
------------------	--

MVMA Specifications

Vehicle Line LUMINA
 Model Year 1992 Issued 9-91 Revised(*) _____

METRIC (U.S. Customary)

Engine Code/Description

3.1 LITER V6 (191 CID)
 MULTI-PORT FUEL INJECTION RPO LHO

Electrical - Supply System

Battery	Manufacturer	Delco Remy
	Model, std., (opt.)	SAE 75-525 (1981967)
	Voltage	12
	Amps at 0 deg F cold crnk	525
	Minutes-reserve capacity	90
	Amps/hrs. - 20 hr. rate	54
	Location	Engine Compartment
Alternator	Manufacturer	Delco Remy
	Rating(idle/max rpm drive)	36/100 Amps
	Ratio (alt. crank/rev.)	2.75
	Output at idle (rpm, park)	54 Amps
	Optional (type & rating)	None
Regulator	Type	Integral With Alternator

Electrical - Starting System

Motor	Manufacturer	Delco Remy
	Curr.dr. -29 (-20) deg C(F)	350 Amps
	Power rating kw (hp)	1.4 (1.9)
Motor drive	Engagement type	Solenoid Operated Shift Lever
	Pinion engages from (front, rear)	Front

Electrical - Ignition System

Type	Electronic (std, opt,n.a.)	Electronic - Direct ignition	
	Other (specify)	Composite Unit Consists Of Three Coils & Electronic Control Module	
Coil	Manufacturer	Delco Remy	
	Model	1103759	
	Current	Engine stopped-A	Less Than 100 ma
		Engine idling - A	Less Than 1.5 Amp (Average)
Spark plug	Manufacturer	AC/Rochester Products	
	Model	R44LTSM	
	Thread (mm)	14 x 1.25	
	Tightening torque Newton meters (lb. ft.)	9-20 (7-15)	
	Gap	1.14mm (.045 in.)	
Distributor	Number per cylinder	1	
	Manufacturer	Not	
	Model	Applicable	

Electrical - Suppression

Locations & type	Alternator - Internal Capacitor Suppression Ignition - Internal Resistor/Capacitor Networks
------------------	--

MVMA Specifications

Vehicle Line LUMINA
 Model Year 1992 Issued 9-91 Revised(*) _____

METRIC (U.S. Customary)

Engine Code/Description

3.4 LITER V6 (207 CID)
 MULTI-PORT FUEL INJECTION RPO LQ1

Electrical - Supply System

Battery	Manufacturer	Delco Remy
	Model, std., (opt.)	Standard
	Voltage	12
	Amps at 0 deg F cold crnk	690 CCA
	Minutes-reserve capacity	90
	Amps/hrs. - 20 hr. rate	54
	Location	Engine Compartment
Alternator	Manufacturer	Delco Remy
	Rating (idle/max. rpm)	42/105 Amps
	Ratio (alt. crank/rev.)	2.75
	Output at idle (rpm, park)	54
Optional (type & rating)	None	
Regulator	Type	Integral With Alternator

Electrical - Starting System

Motor	Manufacturer	Delco Remy
	Current drain deg C (F)	395 Amps
	Power rating kw (hp)	1.6 (2.1)
Motor drive	Engagement type	Solenoid Operated Shift Lever
	Pinion engages from (front, rear)	Front

Electrical - Ignition System

Type	Electronic (std, opt,n.a.)	Electronic - Direct Ignition	
	Other (specify)	Composite Unit Consists of Three Coils & Electronic Control Module	
Coil	Manufacturer	Delco Remy	
	Model	1103792	
	Current	Engine stopped-A	Less Than 100 ma
		Engine idling - A	Less Than 1.5 Amp (Average)
Spark plug	Manufacturer	AC Rochester Division	
	Model	.R42LTSM	
	Thread (mm)	14 x 1.25	
	Tightening torque Newton meters (lb. ft.)	10 - 20 (7.38 - 14.75)	
	Gap	1.14 mm (.045 in.)	
	Number per cylinder	One	
Distributor	Manufacturer	Not Applicable	
	Model	"	

Electrical - Suppression

Locations & type	Alternator - Internal Capacitor Suppression Ignition - Internal Resistor/Capacitor Networks
------------------	--

MVMA Specifications

Vehicle Line LUMINA
 Model Year 1992 Issued 9-91 Revised(*) _____

METRIC (U.S. Customary)

Model Code/Description

COUPE / SEDAN

Body

Structure	Unitized Body - Frame. Body Side Assembly Includes Full Drawn Quarter Panels. Fully Stamped Inner/Outer Door Panels With Header Extending Into Roof. Full-Length Deck Lid Inner/Outer Panels, Full-Drawn Floor Pan.
Bumper System Front - Rear	Body Color Soft Fascia, Honeycomb Absorber And Rigid Reinforcing Bar Used At Both Front And Rear.
Anti-Corrosion Treatment	Double-Sided Galvanizing Of All Major Body/Sheet Metal Inner/Outer Panels Including Hood, Deck Lid, Doors As Well As Rear And End Panel, Plenum, Fenders, Compartment Pan, Quarter Panels, Rocker Panels And Wheelhouse Outer Panels.

Body - Miscellaneous Information

Type of finish (lacquer, enamel, other)	Base Coat-Clear Coat Acrylic Enamel Over ELPO Primer	
Hood	Material & mass	Steel, 17.3 kg
	Hinge location (front, rear)	Rear
	Type (counterbalance, prop)	Gas Charged Strut
	Release control (int., ext.)	Internal
Trunk lid	Material & mass	Steel
	Type (counterbalance, other)	Dual Torque Rods
	Internal release control (elec., mech., n.a.)	Electric, Optional
Hatch-back lid	Material & mass	Not Available
	Type (counterbalance, other)	"
	Internal release control (elec., mech., n.a.)	"
Tailgate	Material & mass	"
	Type (drop, lift, door)	"
	Internal release control (elec., mech., n.a.)	"
Vent window control (crank, friction, pivot, power)	Front	Not Applicable
	Rear	"
Window regulator type (cable, tape, flex drive, etc.)	Front	Single Left Arm Regulator
	Rear	Tape
Seat cushion type (e.g., 60/40, bucket, bench wire, foam, etc.)	Front	Bench, 60/40-Base & Euro; 40/40-Euro & Z34; Tubular Bucket Frame/Foam
	Rear	Bench - Base, Euro, Z34, Wire Grid W/Foam
	3rd seat	Not Applicable
Seat back type (e.g., 60/40, bucket, bench, wire, foam, etc.)	Front	Bench, 60/40 - Base & Euro; 40/40 Bucket - Euro & Z34, Tubular Frame/Foam
	Rear	1-Piece Fixed Base, Euro, Z34
	3rd seat	Not Applicable

○ Frame

Type and description (separate frame, unitized frame, partially-unitized frame)	Unitized Body/Frame, Bolted-On Powertrain Cradle with Mounting Provisions For Suspension And Engine Mounts.
---	---

MVMA Specifications

Vehicle Line LUMINA
 Model Year 1992 Issued 9-91 Revised(*) _____

METRIC (U.S. Customary)

Model Code/Description

COUPE / SEDAN

Restraint System

Seating Position		Left	Center	Right
Active	Type & description (lap & shoulder belt, lap belt, etc.)	First seat	Lap Belt Manual Adjustment	
		Second seat	3 Point Single Loop W/Shoulder Retractor	Lap Belt Manual Adjustment
	Standard/ optional	Third seat		3 Point Single Loop W/Shoulder Retractor
Passive	Type & description (air bag, motorized-2-point belt, fixed belt, knee bolster, manual-lap belt)	First seat	3-Point Door Mounted Dual Retractor	3-Point Door Mounted Dual Retractor
		Second seat		
	Standard/ optional	Third seat		

Glass	SAE Ref No	COUPE	SEDAN
		Windshield glass exposed surface area sq.cm.(sq.in.)	S1
Side glass exposed surface area sq. cm. (sq. in.) - total 2-sides	S2	6,802 (1,054), Door 3,020 (468), Qtr. Wdo.	11,528 (1,787) --
Backlight glass exposed surface area sq.cm.(sq.in.)	S3	8,559 (1,327)	6,410 (994)
Total glass exposed surface area sq. cm. (sq. in.) (Flat area)	S4	30,718 (4,761)	28,838 (4,470)
Windshield glass (type)		Curved-2nd Laminated Float	
Side glass (type)		Curved-Tempered Float	
Backlight glass (type)		Curved-Tempered Float	

Headlamps

Description - sealed beam, halogen, replaceable bulb, etc.	Halogen, Replacement Bulb Unit
Shape	Rectangular
Lo-beam type (2A1, 2B1, 2C1, etc.)	Not Available
Quantity	2
Hi-beam type (1A1, 2A1, 1C1, 2C1, etc.)	Not Available
Quantity	2

MVMA Specifications

Vehicle Line LUMINA
 Model Year 1992 Issued 9-91 Revised _____

METRIC (U.S. Customary)

Engine Code/Description

ALL

o Climate Control System

Air conditioning (std., opt., man., auto.)		Optional, LR8; Standard, LQ1, LH0
Condenser	Type	Tube & Fin
	Eff. face area (sq. mm.)	274, 276
	Fins per inch	13
Evaporator	Type	Flow T
	Eff. face area (sq. mm.)	48,437
	Fins per inch	14
Heater Core	Material	Aluminum
	Eff. face area (sq. mm.)	33,028
	Fins per inch	30
Compressor	Type	
	Displacement (cc)	Variable Displacement
	Manufacturer	Harrison Division, G.M.
	A/C pulley ratio	1.37
Accumulator	Type	
	Height (mm.)	206
	Diameter (mm.)	89
Receiver	Type	Not Applicable
	Height (mm.)	"
	Diameter (mm.)	"
Refrigerant control (CCOT, TVS, etc.)		Variable Displacement Compressor CCOT
Heater water valve (yes / no)		No
Refrigerant (R - 12, R - 134a, etc.)		R12
Charge level (lbs. - oz.)		2.25 lbs.
Cold engine lockout switch (yes / no)		No
Wide open throttle cutout switch (yes / no)		Yes

MVMA Specifications

Vehicle Line LUMINA
 Model Year 1992 Issued 9-81 Revised(*) _____

METRIC (U.S. Customary)

Model Code/Description

COUPE/SEDAN

Convenience Equipment (standard, optional, n.a.)

	Clock (digital, analog)	Digital - In Radio, Standard
	Compass / thermometer	Not Available
	Console (floor, overhead)	Optional, Floor/Overhead - Not Available
	Defroster, elec. backlight	Optional
Electronic	Diagnostic monitor (integrated, individual)	Not Available
	Instrument cluster (list instruments)	Not Available
	Keyless entry	Not Available
	Tripminder (avg. spd. fuel)	Not Available
	Voice alert (list items)	Not Available
	Other	
	Fuel door lock (remote, key, electric)	
Lamps	Auto head on/off delay, dimming	Not Available
	Cornering	Not Available
	Courtesy Dome	Standard
	Door lock, ignition	Lighted Driver Door Key Cylinder - Standard On Coupe
	Engine compartment	Standard
	Fog	Not Available
	Glove compartment	Standard
	Trunk	Standard
	Illuminated entry system (list lamps, activation)	Delayed Panel Lamp Illumination - Standard
	Other Ashtray	Standard
	CHMSL	Standard
Mirrors	Day / night (auto. man.)	Standard - Manual
	L.H. (remote, pwr., heated)	Standard - Remote
	R.H. (convex, rmt, pwr, htd)	Standard - Fixed
	Visor vanity (RH/LH illum.)	Not Available, (Uncovered Visor Vanity - Optional)
	Navigation system (describe)	Not Available
	Prkg. brake-auto release (warn. light)	Standard - Warning Light

MVMA Specifications

Vehicle Line LUMINA
 Model Year 1992 Issued 9-81 Revised(*) _____

METRIC (U.S. Customary)

Model Code/Description

COUPE/SEDAN

Convenience Equipment (standard, optional, n.a.)

Power equipment	Deck lid(release, pull down)		Optional, Electric Release
	Door locks (manual, auto., describe system)		Optional, Manual - Electric
	Seats	2 - 4 - 6 way, etc.	Optional 6-Way
		Reclining(R.H., L.H.)	Standard - Manual
		Memory (R.H., L.H., preset, recline)	Not Available
		Support (lumbar, hip, thigh, etc.)	Not Available
		Heated (R.H., L.H., other)	Not Available
	Side windows		Optional Electric
	Vent windows		Not Applicable
	Rear windows		Optional Electric Defroster
Radio systems	Antenna (location, whip, w/shield, power)		Standard, Fixed Whip Located On Right Rear Upper Quarter Panel
	Stan.	AM, FM, stereo, tape, compact disc, graphic equalizer, theft deterrent, radio prep package, headphone jacks, etc.	AM/FM Stereo, Seek & Scan/Standard
	Opt.		AM/FM Stereo, Seek & Scan/Cassette, Optional AM/FM Stereo, Seek & Scan/Cassette/Bose, Optional AM/FM Stereo, Seek & Scan/Compact Disc, Optional
	Speaker (number, location)		Standard - 2 In Instrument Panel, 2 In Package Shelf Optional Bose - 2 In Doors, 2 In Package Shelf
	Roof: open air or fixed (flip-up, sliding, T ¹)		Not Available
Speed control device		Optional, Automatic Electronic	
Speed warn. dev. (light, buzzer, etc.)		Not Available	
Tachometer (rpm)		Optional (Included As Part Of Optional Gauge Package)	
Telephone system (describe)		Not Available	
Theft deterrent system		Not Available	

Trailer Towing

Towing capable	Yes / No	Yes
Engine/transmission/axle	Std / Opt	3.1L, 4-Spd. Auto., 3.33; 3.4L, 4-Spd. Auto., 3.43
Tow class (I, II, III)*	Std / Opt	1
Max. gross trailer wgt. (lbs.)	Std / Opt	1000
Max. trailer tongue load (lbs.)	Std / Opt	120
Towing package available	Yes / No	No

* Class I - 2,000 lbs. Class II - 3,500 lbs. Class III - 5,000 lbs.

MVMA Specifications

Vehicle Line LUMINA
 Model Year 1992 Issued 9-91 Revised(**) _____

METRIC (U.S. Customary)

Vehicle Dimensions See Key Sheets for definitions

All dimensions to ground are for comparative purposes only. Dimensions are to be shown for all base body models of each vehicle line. SAE Ref. no. refers to the definition published in SAE Recommended Practice J1100 'Motor Vehicle Dimensions,' unless otherwise specified.

Model Code/Description

COUPE

SEDAN

Width

SAE Ref. No.

	SAE Ref. No.		
Tread (front)	W101	1512 (59.5)	
Tread (rear)	W102	1472 (58.0)	
Vehicle width	W103	1822 (71.7)	1803 (71.0)
Body width at Sg RP (front)	W117	1805 (71.0)	1803 (71.0)
Vehicle width (front doors open)	W120	Not Applicable	3398 (133.8)
Vehicle width (rear doors open)	W121	Not Applicable	3640 (143.3)
Tumble-home (deg.)	W122	27.0	25.0
Outside mirror width	W410	1821 (71.7)	

Length

	SAE Ref. No.		
Wheelbase	L101	2730 (107.5)	
Vehicle length	L103	5038 (198.3), Z34 & Euro 3.4L Sedan 5062 (199.3)	
Overhang (front)	L104	1179 (46.4)	
Overhang (rear)	L105	1129 (44.4)	
Upper structure length	L123	2741 (107.9)	2747 (108.1)
Rear wheel C/L 'X' coordinate	L127	4525 (178.1)	

Height **

	SAE Ref. No.		
Passenger distribution (front/rear)	PD1,2,3	2 - 0	**
Trunk/cargo load			**
Vehicle height	H101	1353 (53.3)	1361 (53.6)
Cowl point to ground	H114	934 (36.8)	933 (36.7)
Deck point to ground	H138	988 (38.9)	1001 (39.4)
Rocker panel-front to ground	H112	234 (9.2)	231 (9.1)
Rocker panel-rear to ground	H111	231 (9.1)	232 (9.1)
Windshield slope angle (deg.)	H122	62.0	59.0
Backlight slope angle (deg.)	H121	66.0	57.0

Ground Clearance **

	SAE Ref. No.		
Front bumper to ground	H102	340 (13.4)	
Rear bumper to ground	H104	326 (12.8)	337 (13.3)
Bumper to ground front at curb mass (wt.)	H103	356 (14.0)	
Bumper to ground rear at curb mass (wt.)	H105	357 (14.0)	370 (14.6)
Angle of approach (deg.)	H106	16.0	
Angle of departure (deg.)	H107	12.0	
Ramp breakover angle (deg.)	H147	10.0	
Axle differential to ground (front/rear)	H153	163 (6.4)	
Min. running ground clearance	H156	149 (5.9)	
Location of min. run. grd. clear.		Exhaust Pipe Rear Of Converter	

** All Vehicle Height And Ground Clearance Are Made Using EPA Loaded Vehicle Weight, Loading Conditions.

EPA Loaded Vehicle Weight is the Base Vehicle Weight Plus All Coolant and Fluids Necessary For Operation Plus 100% Of The Fuel Capacity, Plus The Weight Of All Options And Accessories Which Weigh Three Pounds Or More And Which Are Sold On At Least 33% Of The Car Line, Plus Two Occupants.

All Linear Dimensions Are In Millimeters (Inches)

MVMA Specifications

Vehicle Line LUMINA
 Model Year 1992 issued 9-91 Revised(*)

METRIC (U.S. Customary) Vehicle Dimensions

See Key Sheets for Definitions

Model Code/Description

COUPE

SEDAN

Front Compartment

SAE Ref. No.

	SAE Ref. No.	COUPE	SEDAN
SgRP front, 'X' coordinate	L31	3138 (123.5)	3140 (123.6)
Effective head room	H61	956 (37.6)	985 (38.8)
Max. eff. leg room (accelerator)	L34	1076 (42.4)	1077 (42.4)
SgRP to heel point	H30	240 (9.4)	251 (9.9)
SgRP to heel point	L53	876 (34.5)	875 (34.4)
Back angle (deg.)	L40	26.0	
Hip angle (deg.)	L42	98.0	99.0
Knee angle (deg.)	L44	128.0	
Foot angle (deg.)	L46	87.0	
Design H-point front travel	L17	199 (7.8)	
Normal driving & riding seat track trvl.	L23	178 (7.00)	179 (7.04)
Shoulder room	W3	1460 (57.5)	1478 (58.2)
Hip room	W5	1305 (51.4)	1328 (52.3)
*** Upper body opening to ground	H50	1238 (48.7)	1281 (50.4)
Steering wheel maximum diameter**	W9	374 (14.7)	375 (14.8)
Steering wheel angle (deg.)	H18	22.0	
Accel. heel pt. to steer. whl. cntr	L11	520 (20.5)	515 (20.3)
Accel. heel pt. to steer. whl. cntr	H17	623 (24.5)	620 (24.4)
Undepressed floor covering thickness	H67	27.0 (1.1)	

Front Compartment Int. Dim. Are Measured With The Seating Ref. Pt.

Rear Compartment

(SgRP) mm (1 Seat Adjuster Notch) Forward of Rearmost Seat Position.

	SAE Ref. No.	COUPE	SEDAN
SgRP point couple distance	L50	792 (31.2)	826 (32.5)
Effective head room	H63	946 (37.2)	968 (38.1)
Min. effective leg room	L51	884 (34.8)	937 (36.9)
SgRP (second to heel)	H31	248 (9.8)	271 (10.7)
Knee clearance	L48	46 (1.8)	17 (0.7)
Shoulder room	W4	1446 (56.9)	1427 (56.2)
Hip room	W6	1322 (52.0)	1329 (52.3)
*** Upper body opening to ground	H51		1283 (50.5)
Back angle (deg.)	L41	26.0	
Hip angle (deg.)	L43	82.0	87.0
Knee angle (deg.)	L45	88.0	96.0
Foot angle (deg.)	L47	122.0	125.0
Depressed floor covering thickness	H73	18 (0.6)	18 (0.7)

Luggage Compartment

	SAE Ref. No.	COUPE	SEDAN
Usable luggage capacity L (cu. ft.)	V1	441.7 (15.6)	445.0 (15.7)
*** Liftover height	H185	846 (33.3)	845 (33.3)

Interior Volumes (EPA Classification)

Vehicle class	COUPE	SEDAN
	Mid Size	
Interior volume index (cu. ft.)**	111.6	117.1
Trunk / cargo index (cu. ft.)	15.6	15.7

* See page 14.

** Includes passenger and trunk / cargo index - see definition page 33.

*** EPA Loaded Vehicle Weight, Loading Conditions.

All Linear Dimensions Are In Millimeters (Inches)

MVMA Specifications

Vehicle Line LUMINA
 Model Year 1992 Issued 9-91 Revised(*) _____

METRIC (U.S. Customary) Vehicle Dimensions

See Key Sheets for Definitions

Model Code/Description

COUPE/SEDAN

Station Wagon / MPV** - Third Seat

SAE Ref. No. (NOT APPLICABLE)

	SAE Ref. No.	(NOT APPLICABLE)
Seat facing direction	SD1	
SgRP couple distance	L85	
Shoulder room	W85	
Hip Room	W86	
Effective leg room	L86	
Effective head room	H86	
SgRP to heel point	H87	
Knee clearance	L87	
Back angle (deg.)	L88	
Hip angle (deg.)	L89	
Knee angle (deg.)	L90	
Foot angle (deg.)	L91	

Station Wagon / MPV** Cargo Space (NOT APPLICABLE)

	SAE Ref. No.	(NOT APPLICABLE)
Cargo length (open front)	L200	
Cargo length (open second)	L201	
Cargo length (closed front)	L202	
Cargo length (closed second)	L203	
Cargo length at belt (front)	L204	
Cargo length at belt (second)	L205	
Cargo width (wheelhouse)	W201	
Rear opening width at floor	W203	
Opening width at belt	W204	
Min. rear opening width above belt	W205	
Cargo height	H201	
Rear opening height	H202	
Tailgate to ground height	H250	
Front seat back to load floor height	H197	
Cargo volume index cu. m. (cu. ft.)	V2	
Hidden cargo vol. index cu. m. (cu. ft.)	V4	
Cargo volume index-rear of 2-seat	V10	
<input type="radio"/> Cargo volume index**	V8	
<input type="radio"/> Cargo width at floor**	W500	
<input type="radio"/> Maximum cargo height**	H505	

Hatchback - Cargo Space (NOT APPLICABLE)

	SAE Ref. No.	(NOT APPLICABLE)
Cargo length at front seatback height	L208	
Cargo length at floor (front)	L209	
Cargo length at second seatback height	L210	
Cargo length at floor (second)	L211	
Front seatback to load floor height	H197	
Second seatback to load floor height	H198	
Cargo volume index cu. m. (cu. ft.)	V3	
Hidden cargo vol. index cu. m. (cu. ft.)	V4	
Cargo volume index-rear of 2-seat	V11	

* EPA Loaded Vehicle Weight, Loading Conditions

** MPV - Multipurpose Vehicle

All Linear Dimensions Are in Millimeters (Inches)

MVMA Specifications

Vehicle Line LUMINA
 Model Year 1992 Issued 9-91 Revised(**) _____

METRIC (U.S. Customary)

Model Code/ Description	COUPE	SEDAN
----------------------------	-------	-------

Vehicle Fiducial Marks

Fiducial Mark Number*	Define Coordinate Location
Front	X - Fiducial Mark To Vertical Zero Grid Line - Front Measured Horizontally, From The Zero Grid Line To The Front Fiducial Mark Located On Top Of The Front Seat Adjuster Mounting Bolt.
	Y - Fiducial Mark To Centerline Of Car - Front, Width Measurement Made From Centerline Car To Fiducial Mark Located On Top Of The Front Seat Adjuster Mounting Bolt.
	Z - Fiducial Mark To Horizontal Zero Grid Line - Front, Measured Vertically From Zero Grid Line To Front Fiducial Mark Located On Top Of The Front Seat Adjuster Mounting Bolt.
Rear	X - Fiducial Mark To Vertical Zero Grid Line - Rear, Measured Horizontally From The Zero Grid Line To Rear Fiducial Mark Located On The Rail (Compartment Pan - Longitudinal).
	X - Fiducial Mark To Centerline Of Car - Rear, Width Measurement Made From Centerline Of Car To Fiducial Mark Located On The Rail (Compartment Pan - Longitudinal).
	Z - Fiducial Mark To Horizontal Zero Grid Line - Rear, Measured Vertically From The Zero Grid Line To Rear Fiducial Mark Located On The Rail (Compartment Pan - Longitudinal).

NOTE: Provide
3 of 4
Fiducial Mark
Locations

Front	W21**	555.0 (21.9)	
	L54**	2776.0 (109.29)	2776.0 (109.29)
	H81**	278.0 (10.9)	279.0 (11.0)
	H161**	337.0 (13.26)	338.0 (13.3)
***	H163**	316.0 (12.4)	317.0 (12.5)

Rear	W22**	679 (26.7)	
	L55**	4063.0 (160.0)	
	H82**	288.0 (11.3)	289.0 (11.4)
	H162**	353.0 (13.9)	
***	H164**	327.0 (12.9)	326.0 (12.8)

* Reference - SAE Recommended Practice, J182, Motor Vehicle Fiducial Marks.
 ** Reference - SAE Recommended Practice J1100 - Motor Vehicle Dimensions.
 *** EPA Loaded Vehicle Weight, Loading Conditions.
 All Linear Dimensions Are In Millimeters (Inches).

MVMA Specifications

METRIC (U.S. Customary)

Vehicle Line LUMINA
 Model Year 1992 Issued 8-91 Revised(*)

Code	Model	VEHICLE MASS (weight)				% PASS MASS DISTRIBUTION				
		CURB MASS, kg. (lb.)*			SHIPPING MASS kg (lb)	ETWC** Code	PASS IN FRONT		PASS IN REAR	
		Front	Rear	Total			Front	Rear	Front	Rear
LUMINA 1WL27 2-Dr. Notchback Coupe (LR8 & MD9)		909.8 (2006)	503.2 (1109)	1413 (3115)	1374 (3029)	3375	49.4	50.6	21.8	78.2
1WL69 4-Dr. Notchback Sedan (LR8 & MD9)		925.8 (2041)	534.6 (1179)	1460.4 (3220)	1421.4 (3134)	3500	49.4	50.6	21.8	78.2
LUMINA EURO 1WN27 2-Dr. Notchback Coupe (LHO & MD9)		950.2 (2095)	512.2 (1129)	1462.4 (3224)	1424.4 (3140)	3500	49.4	50.6	21.8	78.2
1WN69 4-Dr. Notchback Sedan (LHO & MD9)		966.2 (2130)	543.6 (1198)	1059.8 (3228)	1471.8 (3245)	3625	49.4	50.8	21.8	78.2
LUMINA Z34 2-Dr. Notchback Coupe (LQ1 & M27)		1007.4 (2221)	535.6 (1181)	1543.0 (3402)	1505 (3318)	3750	49.4	50.6	21.8	78.2

* Reference - SAE J1100 Motor vehicle dimensions, curb weight definition.
 ** ETWC - Equivalent Test Weight Class - basis for U.S. Environmental Protection Agency emission certifications.
 Refer to ETWC code legend below for test weight class.

ETWC LEGEND

- | | | | |
|----------|----------|----------|-----------|
| A = 1000 | I = 2000 | Q = 3000 | Y = 4000 |
| B = 1125 | J = 2125 | R = 3125 | Z = 4250 |
| C = 1250 | K = 2250 | S = 3250 | AA = 4500 |
| D = 1375 | L = 2375 | T = 3375 | BB = 4750 |
| E = 1500 | M = 2500 | U = 3500 | CC = 5000 |
| F = 1625 | N = 2625 | V = 3625 | DD = 5250 |
| G = 1750 | O = 2750 | W = 3750 | EE = 5500 |
| H = 1875 | P = 2875 | X = 3875 | FF = 5750 |

*** Shipping Mass (weight) = Curb Weight Less:

- 38 (84) - LHO

- 39 (86) - LR8

- 38 (84) - LQ1

MVMA Specifications

METRIC (U.S. Customary)

Vehicle Line LUMINA
 Model Year 1992 Issued 9-91 Revised _____

		Optional Equipment Differential Mass (weight)*			
Code	Equipment	MASS, kg. (lb.)			Remarks Restrictions, Requirements
		Front	Rear	Total	
AC3	Adjuster Front Seat, Power 6-Way	2.4 (5.3)	1.8 (4.0)	4.2 (9.3)	
AG1	Seat Adjuster 6-Way Power, Driver Only	2.2 (4.8)	2.0 (4.4)	4.2 (9.3)	
AH3	Adjuster Seat - Manual, 4-Way Driver	1.0 (2.2)	.8 (1.8)	1.8 (4.0)	
AM6	Seat Front Split 3-Passenger	2.6 (5.7)	2.6 (5.7)	5.2 (11.5)	
AN3	Seat Front Bucket, Driver, Passenger Electric	1.8 (4.0)	1.6 (3.5)	3.4 (7.5)	
AP9	Cargo Restraint	0 (0)	.2 (.4)	.2 (.4)	
AR9	Seat - Front bucket, Euro P/D Recl.	1.8 (4.0)	1.6 (3.5)	3.4 (7.5)	
AU3	Lock - Side Driver, Electric	.6 (1.3)	.4 (.8)	1.0 (2.2)	1WM27
AU3	Lock - Side Driver, Electric	1.2 (2.6)	.8 (1.8)	1.0 (4.4)	1WM69
A31	Window - Power Operated, Side	2.4 (5.3)	2.4 (5.3)	4.8 (10.6)	1WM69
A31	Window - Power Operated, Side	1.6 (3.5)	.6 (1.3)	2.2 (4.9)	1WM27
A90	Lock - Rear Compartment Lid, Remote Control Electric	0 (0)	.6 (1.3)	.6 (1.3)	

* Also see Engine - General Section for dressed engine mass (weight).

MVMA Specifications

METRIC (U.S. Customary)

Vehicle Line LUMINA
 Model Year 1992 Issued 9-91 Revised _____

		Optional Equipment Differential Mass (weight)*			
Code	Equipment	MASS, kg. (lb.)			Remarks Restrictions, Requirements
		Front	Rear	Total	
B24	Ornamentation - Exterior Molding, Side WDO REV, PTD	.2 (.4)	0 (0)	.2 (.4)	
B34	Front Floor Mats	1.4 (3.1)	.8 (1.8)	2.2 (4.9)	
B35	Rear Floor Mats	.4 (.8)	.8 (1.8)	1.2 (2.6)	
B97	Rear Wheel Opening Spoiler	1.0 (2.2)	.8 (1.8)	1.8 (4.0)	
C49	Defogger - Rear Window, Electric	0 (0)	.2 (.4)	.2 (.4)	
C67	Air Conditioning - Premium	14.8 (32.6)	2.0 (4.4)	16.8 (37.0)	
DO9	Arm Rest - Front Seat (Std.)	.6 (1.3)	.4 (.8)	1.0 (2.2)	
D55	Console - Front Compartment Floor, Var 1	5.0 (11.0)	3.8 (8.4)	8.8 (19.4)	
D68	Mirrors - Remote Right & Left	1.0 (2.2)	.6 (1.3)	1.6 (3.5)	
D80	Spoiler - Rear End Panel	-1.4 (-3.1)	8.4 (18.5)	7.0 (15.4)	1WA00 & Z34
D80	Spoiler - Rear End Panel	-.8 (-1.8)	5.4 (11.9)	4.6 (10.1)	1WA00 & ZV8
FE2	Suspension System - Ride, Handling	-.4 (-.8)	-.2 (-.4)	-.6 (-1.3)	

* Also see Engine - General Section for dressed engine mass (weight).

MVMA Specifications

METRIC (U.S. Customary)

Vehicle Line LUMINA
 Model Year 1992 Issued 9-91 Revised _____

		Optional Equipment Differential Mass (weight)*			
Code	Equipment	MASS, kg. (lb.)			Remarks Restrictions, Requirements
		Front	Rear	Total	
FE3	Suspension System - Sport	-2.2 (-4.9)	-.8 (-1.8)	-3.0 (-6.6)	
F41	Suspension System - Front/Rear, Firm Ride, Handling	-.4 (-.8)	-2 (-4)	-.6 (-1.3)	
JL9	Brake System - Power Front & Rear Disc ABS	8.4 (18.5)	.4 (.8)	8.8 (19.4)	
KD1	Cooling System - Transmission Oil	1.0 (2.2)	-.2 (-.4)	.8 (1.8)	
KO5	Heater - Engine Block	.4 (.8)	0 (0)	.4 (.8)	
K34	Cruise Control Auto Electronic	1.2 (2.6)	0 (0)	1.2 (2.6)	
LH0	Engine Gas 6 Cylinder, 3.1 Liter Multi-Port Fuel Injection	36.2 (79.8)	-3.0 (-6.6)	33.2 (73.2)	
LQ1	Engine - Gas, 6 Cylinder, 3.4 Liter Multi-Port Fuel Injection	86.0 (189.6)	0 (0)	86.0 (189.6)	1WA00 & M13
LQ1	Engine - Gas, 6 Cylinder, 3.4 Liter Multi-Port Fuel Injection	98.2 (216.5)	0 (0)	98.2 (216.5)	1WA00 & M27
ME9	Transmission - Four Speed Automatic (THM 440T4)	15.0 (33.1)	0 (0)	15.0 (33.1)	
M13	Transmission - Four Speed Automatic, HMD	20.4 (45.0)	0 (0)	20.4 (45.0)	
M27	Transmission - 5 Speed Getrag	-11.8 (-26.0)	0 (0)	-11.8 (-26.0)	

* Also see Engine - General Section for dressed engine mass (weight).

MVMA Specifications

METRIC (U.S. Customary)

Vehicle Line LUMINA
 Model Year 1992 Issued 8-81 Revised _____

		Optional Equipment Differential Mass (weight)*			
Code	Equipment	MASS, kg. (lb.)			Remarks Restrictions, Requirements
		Front	Rear	Total	
NC5	Exhaust - Dual Vertical Tail Pipes	-1.0 (-2.2)	12.0 (26.5)	11.0 (24.3)	
NC6	Sporty Exhaust System	-2 (-4)	1.6 (3.5)	1.4 (3.1)	
NW0	Wheel - 16 X 6.5 Cast Aluminum	1.2 (2.6)	1.2 (2.6)	2.4 (5.3)	
N14	Conversion Methanol Fuel	3.0 (6.6)	3.0 (6.6)	6.0 (13.2)	1WM00
N33	Steering Column - Tilt Type	.6 (1.3)	.4 (.8)	1.0 (2.2)	
PG1	Wheel 15 X 6 Steel	2.6 (5.7)	2.6 (5.7)	5.2 (11.5)	
PH3	Wheel 15 X 6 Cast Aluminum	.8 (1.8)	.6 (1.3)	1.4 (3.1)	
PO8	Cover - Super Deluxe Wheel	-2 (-4)	-2 (-4)	-4 (-8)	
QIN	Tire - P205/70R15	2.0 (4.4)	2.0 (4.4)	4.0 (8.8)	
QPE	Tire - P215/60R16/NBL	2.0 (4.4)	2.0 (4.4)	4.0 (8.8)	
QXJ	Tire All-P225/60R16/N BL R/PE	3.6 (7.9)	3.6 (7.9)	7.2 (15.8)	
UB3	Cluster Assembly - Instrument Panel	.4 (.8)	.2 (.4)	.6 (1.3)	

* Also see Engine - General Section for dressed engine mass (weight).

MVMA Specifications

METRIC (U.S. Customary)

Vehicle Line LUMINA
 Model Year 1992 Issued 9-91 Revised _____

		Optional Equipment Differential Mass (weight)*			Remarks Restrictions, Requirements
Code	Equipment	MASS, kg. (lb.)			
		Front	Rear	Total	
UM6	Radio - AM/FM Stereo, Seek & Scan, Cassette, Clock	1.4 (3.1)	.4 (.8)	1.8 (4.0)	
UQ4	Audio System - Bose Speaker	1.0 (2.2)	1.8 (4.0)	2.8 (6.2)	
UU8	AM/FM Stereo Cassette ETR	1.0 (2.2)	.4 (.8)	1.4 (3.1)	
U1C	Radio - AM/FM Stereo Seek/Scan	.8 (1.8)	0 (0)	.8 (1.8)	
VK3	License Plate Rear Mount Package - Exp.	.6 (1.3)	-2 (-.4)	.4 (.8)	
V56	Carrier - Luggage - Rear (Painted)	-.8 (-1.8)	4.4 (9.7)	3.6 (7.9)	
ZV8	Euro Theme Car	.2 (.4)	.2 (.4)	.4 (.8)	
Z34	Chevrolet Lumina Z34	3.6 (7.9)	3.6 (7.9)	7.2 (15.9)	

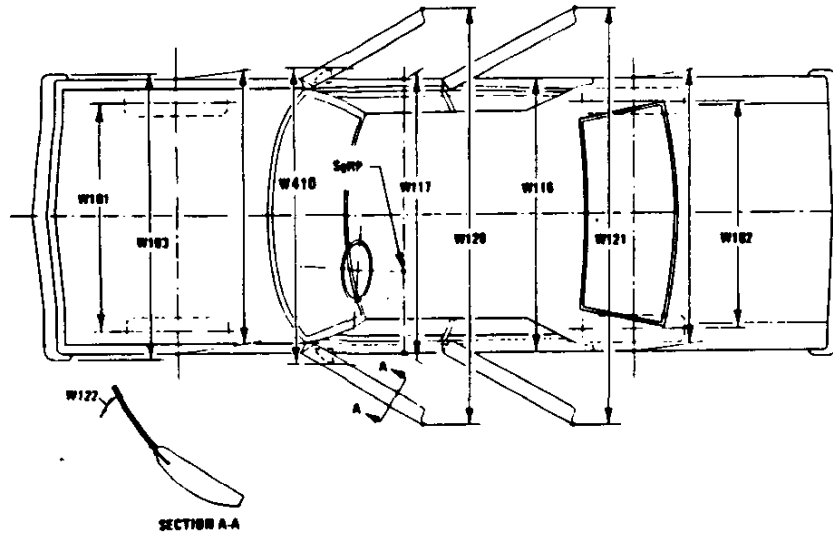
* Also see Engine - General Section for dressed engine mass (weight).

MVMA Specifications

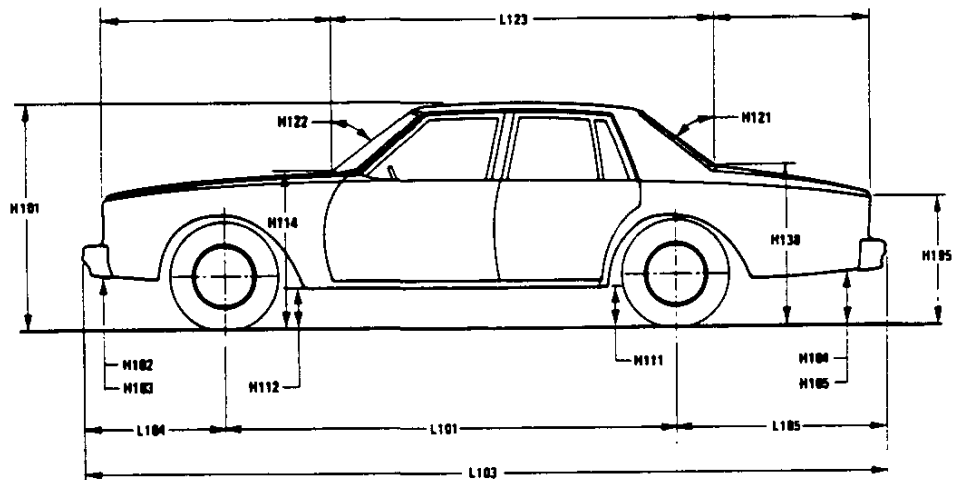
METRIC (U.S. Customary)

Exterior Vehicle And Body Dimensions - Key Sheet

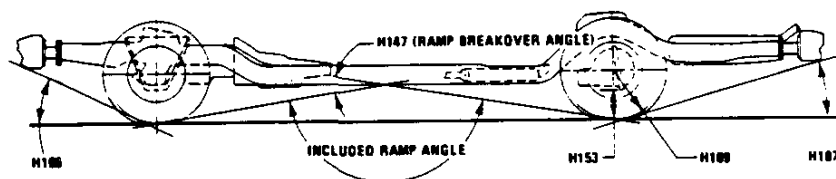
Exterior Width



Exterior Length & Height



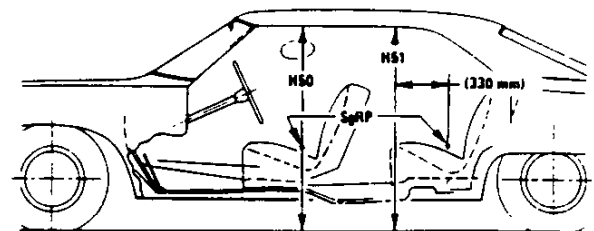
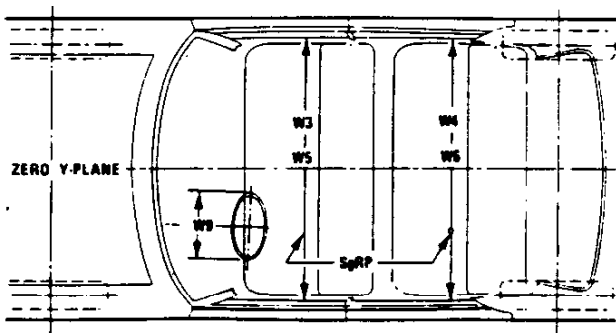
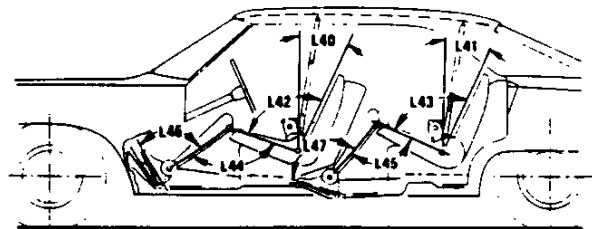
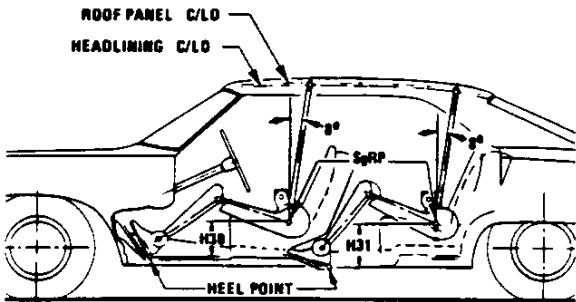
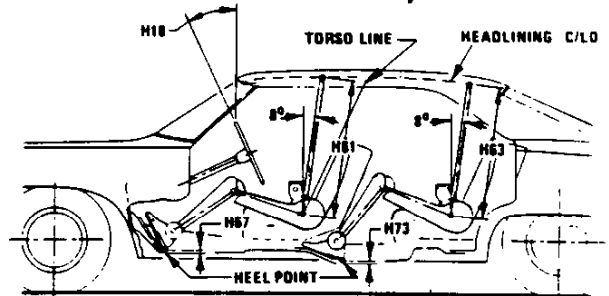
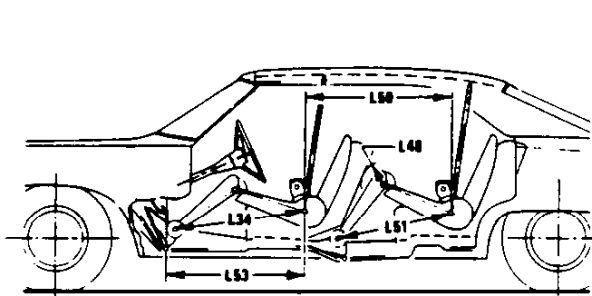
Exterior Ground Clearance



MVMA Specifications Form

METRIC (U.S. Customary)

Interior Vehicle And Body Dimensions – Key Sheet

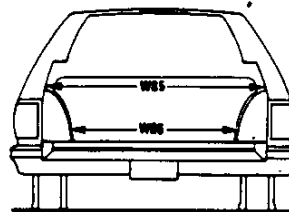
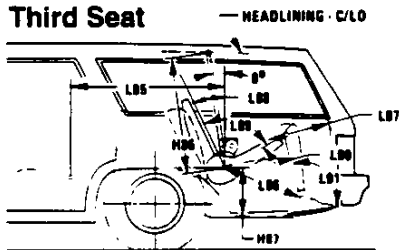


MVMA Specifications

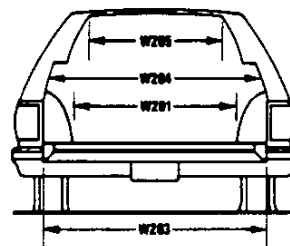
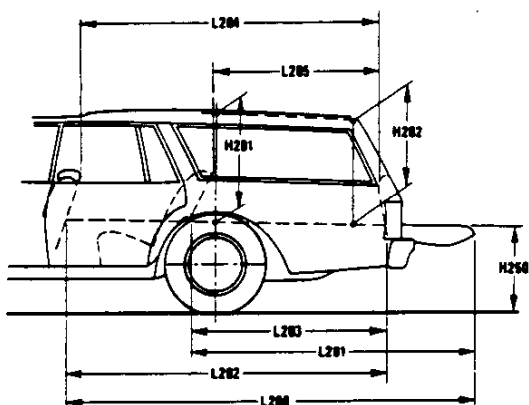
METRIC (U.S. Customary)

Interior Vehicle And Body Dimensions - Key Sheet

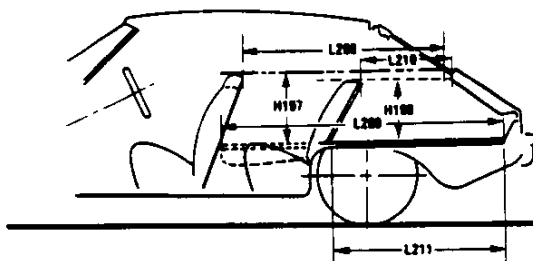
Third Seat



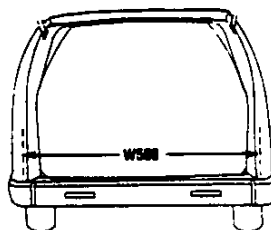
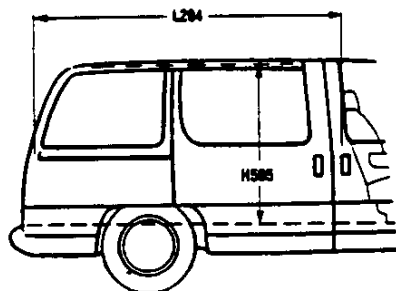
Cargo Space



Station Wagon



Hatchback



∅ Multipurpose Vehicle

MVMA Specifications

METRIC (U.S. Customary)

Exterior Vehicle And Body Dimensions – Key Sheet Dimensions Definitions

Seating Reference Point

SEATING REFERENCE POINT means the manufacturer's design reference point which –

- (a) Establishes the rearmost normal design driving or riding position of each designated seating position in a vehicle;
- (b) Has coordinates established relative to the design vehicle structure;
- (c) Simulates the position of the pivot center of the human torso and thigh; and
- (d) Is the reference point employed to position the two dimensional templates described in SAE Recommended Practice J826, "Devices for Use in Defining and Measuring Vehicle Seating Accommodations."

Width Dimensions

- W101 TREAD – FRONT. The dimension measured between the tire centerlines at the ground.
- W102 TREAD – REAR. The dimension measured between the tire centerlines at the ground. In case of dual wheels, the dimension will be measured to the centerline of tire and wheel assemblies.
- W103 VEHICLE WIDTH. The maximum dimension measured between the widest point on the vehicle, excluding exterior mirrors, flexible mud flaps, marker lamps, but including bumpers, moldings, sheet metal protrusions or dual wheels, if standard equipment.
- W117 BODY WIDTH AT SgRP – FRONT. The dimension measured laterally between the widest points on the body at the SgRP-front, excluding door handles, applied moldings, or appliques.
- W120 VEHICLE WIDTH – FRONT DOORS OPEN. The dimension measured between the widest point on the front doors in maximum hold-open position.
- W121 VEHICLE WIDTH – REAR DOORS OPEN. The dimension measured between the widest point on the rear doors in maximum hold-open position. For vehicles with a rear door on only one side, this dimension is to the zero "Y" plane.
- W122 TUMBLE – HOME. STRAIGHT SIDE GLASS. The angle measured from a vertical to the outside surface of the front door glass at the SgRP "X" plane.
CURVED SIDE GLASS. The angle measured from a vertical to a chord extending from the upper DLO to the lower DLO at the outside surface of the front door glass at the front SgRP "X" plane.
- W410 OUTSIDE MIRROR WIDTH: The dimension between the widest point on the outside mirrors. The standard right and left mirror adjusted for normal driving will be shown unless otherwise noted. When only one outside mirror is standard, the dimension will be to the zero "Y" plane.

Length Dimensions

- L101 WHEELBASE (WB). The dimension measured longitudinally between front and rear wheel centerlines. In case of dual rear axles, the dimension shall be to the midpoint of the centerlines of the rear wheels.
- L103 VEHICLE LENGTH. The maximum dimension measured longitudinally between the foremost point and the rearmost point on the vehicle, including bumper, bumper guards, tow hooks and/or rub strips, if standard equipment.
- L104 OVERHAND – FRONT. The dimension measured longitudinally from the centerline of the front wheels to the foremost point on the vehicle including bumper, bumper guards, tow hooks and/or rub strips, if standard equipment.
- L105 OVERHANG – REAR. The dimension measured longitudinally from the centerline of the rear wheels; or in the case of dual rear axles, the dimension shall be the midpoint of the centerlines of the rear wheels, to the rearmost point on the vehicle including rear bumpers, bumper guards, tow hooks and rub strips, if standard equipment.

- L123 UPPER STRUCTURE LENGTH. The dimension measured longitudinally from the cowl point to the deck point.
- L127 REAR WHEEL CENTERLINE "X" COORDINATE or in the case of dual rear axles, the coordinate shall be the midpoint of the distance between the rear axle centerlines.

Height Dimensions

- H101 VEHICLE HEIGHT. The dimension measured vertically from the highest point on the vehicle body to ground.
- H111 ROCKER PANEL – REAR TO GROUND. The dimension measured vertically from the bottom of the rocker or side quarter panel at the front of the rear wheel opening, excluding flanges, to ground.
- H112 ROCKER PANEL – FRONT TO GROUND. The dimension measured vertically from the foremost point on the bottom of the rocker panels, excluding flanges, to ground.
- H114 COWL POINT TO GROUND. Measured at zero "Y" plane.
- H121 BACKLIGHT SLOPE ANGLE. The angle between the vertical reference line and the surface of backlight at vehicle zero "Y" plane. For curve backlight, the angle is to chord of backlight arc from lower DLO to upper DLO.
- H122 WINDSHIELD SLOPE ANGLE. The angle between the vertical reference line and a chord of the windshield arc running from the lower DLO to the upper DLO at the vehicle zero "Y" plane. In the case of wrap over glass, the angle to be measured will be formed by a chord 457 mm (18.0 in.) long drawn from the lower DLO to the intersecting point on the windshield.
- H138 DECK POINT TO GROUND. Measured at zero "Y" plane.
- H109 STATIC LOAD – TIRE RADIUS – REAR. Specified by the manufacturer in accordance with composite TIRE SECTION STANDARD.

Ground Clearance Dimensions

- H102 FRONT BUMPER TO GROUND. The minimum dimension measured vertically from the lowest point on the front bumper to ground, including bumper guards, if standard equipment.
- H103 FRONT BUMPER TO GROUND – CURB MASS (WT.). Measured in the same manner as H102.
- H104 REAR BUMPER TO GROUND. The minimum dimension measured vertically from the lowest point on the rear bumper to ground, including bumper guards, if standard equipment.
- H105 REAR BUMPER TO GROUND – CURB MASS (WT.). Measured in the same manner as H104.
- H106 ANGLE OF APPROACH. The angle measured between a line tangent to the front tire static loaded radius arc and the initial point of structural interference forward of the front tire to ground. The limiting structural component shall be designated.
- H107 ANGLE OF DEPARTURE. The angle measured between a line tangent to the rear tire static loaded radius arc and the initial point structural interference rearward of the rear tire to ground. The limiting component shall be designated.
- H147 RAMP BREAKOVER ANGLE. The angle measured between two lines tangent to the front and rear tire static loaded radius and intersecting at a point on the underside of the vehicle which defines the largest ramp over which the vehicle can roll.
- H153 REAR AXLE DIFFERENTIAL TO GROUND. The minimum dimension measured from the rear axle differential to ground.
- H156 MINIMUM RUNNING GROUND CLEARANCE. The minimum dimension measured from the sprung vehicle to ground. Specify location.

MVMA Specifications

METRIC (U.S. Customary)

Interior Vehicle And Body Dimensions – Key Sheet Dimensions Definitions

Glass Areas

- S1 Windshield area.
- S2 Side windows area. Includes the front door, rear door, vents, and rear quarter windows on both sides of the vehicle.
- S3 Backlight areas.
- S4 Total area. Total of all areas (S1 + S2 + S3).

Fiducial Mark Dimensions

Fiducial Mark – Number 1

- L54 "X" coordinate.
- W21 "Y" coordinate.
- H81 "Z" coordinate.
- H161 Height "Z" coordinate to ground at curb weight.
- H163 Height "Z" coordinate to ground.

Fiducial Mark – Number 2

- L55 "X" coordinate.
- W22 "Y" coordinate.
- W82 "Z" coordinate.
- H162 Height "Z" coordinate to ground at curb weight.
- H164 Height "Z" coordinate to ground.

Front Compartment Dimensions

- L11 ACCELERATOR HEEL POINT TO STEERING WHEEL CENTER. The dimension measured horizontally from the AHP to the intersection of the steering column centerline and a plane tangent to the upper surface of the steering wheel rim.
- L17 DESIGN H-POINT – FRONT TRAVEL. The dimension measured horizontally between the design H-point – front in the foremost and rearmost seat track positions. (See SAE J1100)
- L23 NORMAL DRIVING AND RIDING SEAT TRACK TRAVEL. The dimension measured horizontally between a point on the design H-point travel line from the SgRP to the displaced point on the design H-point travel line with the seat moved to the foremost seat position, but not to include seat track travel used for purposes other than normal driving and riding positions. (See SAE J1100).
- L31 SgRP – FRONT. "X" COORDINATED.
- L34 MAXIMUM EFFECTIVE LEG ROOM – ACCELERATOR. The dimension measured along a line from the ankle pivot center to the SgRP – front plus 254 mm (10.0 in.) measured with right foot on the undepressed accelerator pedal. For vehicles with SgRP to heel (H30) greater than 18 in., the accelerator pedal may be depressed as specified by the manufacturer. If the accelerator is depressed, the manufacturer shall place foot flat on pedal and note the depression of the pedal.
- L40 BACK ANGLE – FRONT. The angle measured between a vertical line through the SgRP – front and the torso line. If the seatback is adjustable, use the normal driving and riding position specified by the manufacturer.
- L42 HIP ANGLE – FRONT. The angle measured between torso line and thigh centerline.
- L44 KNEE ANGLE – FRONT. The angle measured between thigh centerline and lower leg centerline measured on the right leg.
- L46 FOOT ANGLE – FRONT. The angle measured between the lower leg centerline and a line tangent to the ball and heel of the bare foot flesh line measured on the right leg. Ref SAE J826.
- L53 SgRP – FRONT TO HEEL. The dimension measured horizontally from the SgRP – front to the accelerator heel point.
- W3 SHOULDER ROOM – FRONT. The minimum dimension measured laterally between the trimmed surfaces on the "X" plane through the SgRP – front at height between the belt line and 254 mm (10.0 in.) above the SgRP – front, excluding the door assist strap and attaching parts.

- W5 HIP ROOM – FRONT. The minimum dimension measured laterally between the trimmed surfaces on the "X" plane through the SgRP – front within 25 mm (1.0 in.) below and 76 mm (3.0 in.) above the SgRP – front and 76 mm (3.0 in.) fore and aft of the SgRP – front.
- W9 STEERING WHEEL MAXIMUM OUTSIDE DIAMETER. Define if other than round.
- H7 ACCELERATOR HEEL POINT TO THE STEERING WHEEL CENTER. The dimension measured vertically from the AHP – front to the intersection of the steering column centerline to a plane tangent to the upper surface of the steering wheel rim.
- H18 STEERING WHEEL ANGLE. The angle measured from a vertical to the surface plane of the steering wheel.
- H30 SgRP – FRONT TO HEEL. The dimension measured vertically from the SgRP – front to the accelerator heel point.
- H50 UPPER BODY OPENING TO GROUND – FRONT. The dimension measured vertically from the trimmed body opening to the ground on the SgRP – front "X" plane.
- H61 EFFECTIVE HEAD ROOM – FRONT. The dimension measured along a line 8 deg. rear of vertical from the SgRP – front to the headlining plus 102 mm (4.0 in.).
- H67 FLOOR COVERING THICKNESS – UNDEPRESSED – FRONT. The dimension measured vertically from the surface of the undepressed floor covering to the underbody sheet metal at the accelerator heel point.

Rear Compartment Dimensions

- L41 BACK ANGLE – SECOND. The angle measured between a vertical line through the SgRP – second and the torso line.
- L43 HIP ANGLE – SECOND. The angle measured between torso line and thigh centerline.
- L45 KNEE ANGLE – SECOND. The angle measured between thigh centerline and lower leg centerline.
- L47 FOOT ANGLE – SECOND. The angle measured between the lower leg centerline and a line tangent to the ball and heel of the three-dimensional devices bare foot flesh line (Reference J826).
- L48 KNEE CLEARANCE – SECOND. The minimum dimension measured from the knee pivot center to the back of the front seatback minus 51 mm (2.0 in.).
- L50 SgRP COUPLE DISTANCE – SECOND. The dimension measured horizontally from the driver SgRP – front to the SgRP – second.
- L51 MINIMUM EFFECTIVE LEG ROOM – SECOND. The dimension measured along a line from the ankle pivot center to the SgRP – second plus 254 mm (10.0 in.).
- W4 SHOULDER ROOM – SECOND. The minimum dimension measured laterally between door or quarter trimmed surfaces on the "X" plane through the SgRP – second at height between 254–406 mm (10.0–16.0 in.) above the SgRP – second, excluding the door assist straps and attaching parts.
- W6 HIP ROOM – SECOND. Measured in the same manner as W5.
- H31 SgRP – SECOND TO HEEL. The dimension measured vertically from the SgRP – second to the two dimensional device heel point on the depressed floor covering.
- H51 UPPER BODY OPENING TO GROUND – SECOND. The dimension measured vertically from the trimmed body opening to the ground on the "X" plane 330 mm (13.0 in.) forward of the SgRP – second.
- H63 EFFECTIVE HEAD ROOM – SECOND. The dimension measured along a line 8 deg. rear of vertical from the SgRP to the headlining, plus 102 mm (4.0 in.).
- H73 FLOOR COVERING – DEPRESSED – SECOND. The dimension measured vertically from the heel point to the underbody sheet metal.

MVMA Specifications

METRIC (U.S. Customary)

Interior Vehicle And Body Dimensions – Key Sheet Dimensions Definitions

Luggage Compartment Dimensions

V1 USABLE LUGGAGE CAPACITY – Total of volumes of individual pieces of standard luggage set plus H-boxes stowed in the luggage compartment in accordance with the procedure described in paragraph 8.2 of SAE-J1100a.

Interior Volumes (EPA Classification)

The Interior Volume Index is listed for each body style except two seaters. The Interior Volume Index estimates the space in a car. It is based on four measurements – head room, shoulder room, hip room, and leg room – for the front and rear seats, plus trunk capacity.

The Trunk/Cargo Index is an estimate of the size of the trunk/cargo space. In station wagons and hatchbacks it is an estimate of the space behind the second seat.

Station Wagon / MPV – Third Seat Dimensions

- L85 SgRP COUPLE DISTANCE – THIRD. The dimension measured horizontally from the SgRP – second to the SgRP – third.
- L86 EFFECTIVE LEG ROOM – THIRD. The dimension measured along a line from the ankle pivot center to the SgRP – third plus 254 mm (10.0 in.).
- L87 KNEE CLEARANCE – THIRD. The minimum dimension from the knee pivot center to the back of second seatback minus a constant of 51 mm (2.0 in.). With rear-facing third seat, dimension is measured to closure.
- L88 BACK ANGLE – THIRD. Measured in the same manner as L41.
- L89 HIP ANGLE – THIRD. Measured in the same manner as L43.
- L90 KNEE ANGLE – THIRD. Measured in the same manner as L45.
- L91 FOOT ANGLE – THIRD. Measured in the same manner as L47.
- W85 SHOULDER ROOM – THIRD. Measured in the same manner as W4.
- W86 HIP ROOM – THIRD. Measured in the same manner as W5.
- H86 EFFECTIVE HEAD ROOM – THIRD. The dimension, measured along a line 8 deg. from the SgRP – third to the headlining rear of vertical plus a constant of 102 mm (4.0 in.).
- H87 SgRP – THIRD TO HEEL POINT.
- SD1 SEAT FACING DIRECTION – THIRD.

Station Wagon / MPV – Cargo Space Dimensions

- L200 CARGO LENGTH – OPEN – FRONT. The minimum dimension measured longitudinally from the back of the front seatback at the height of the undepressed floor covering to the rearmost point on the undepressed floor covering on the open tailgate or cargo surface if the rear closure is a conventional door type tailgate at the zero "Y" plane.
- L201 CARGO LENGTH – OPEN – SECOND. The dimension measured longitudinally from the back of the second seatback at the height of the undepressed floor covering to the rearmost point on the undepressed floor covering on the open tailgate or cargo floor surface if the rear closure is a conventional door type tailgate, at the zero "Y" plane.

- L202 CARGO LENGTH – CLOSED – FRONT. The minimum dimension measured horizontally from the back of the front seat at the height of the undepressed floor covering to the rearmost point on the undepressed floor covering on the closed tailgate or taildoor for station wagons, trucks and mpv's at the zero "Y" plane.
- L203 CARGO LENGTH – CLOSED – SECOND. The dimension measured horizontally from the back of the second seat at the height of the undepressed floor covering to the rearmost point on the undepressed floor covering on the closed tailgate or taildoor for station wagons, trucks and mpv's at the zero "Y" plane.
- L204 CARGO LENGTH AT BELT – FRONT. The minimum dimension measured horizontally from the back of the front seatback at the seatback top to the foremost normal surface of the closed tailgate or inside surface of the cab backpanel at the height of the belt, on the zero "Y" plane.
- L205 CARGO LENGTH AT BELT – SECOND. The minimum dimension measured horizontally from the back of the second seatback at the seatback top to the foremost normal surface of the closed tailgate at the height of the belt, on the zero "Y" plane.
- W201 CARGO WIDTH – WHEELHOUSE. The minimum dimension measured laterally between the trimmed wheelhousings at floor level. For any vehicle not trimmed, measure to the sheet metal.
- W203 REAR OPENING WIDTH AT FLOOR. The minimum dimension measured laterally between the limiting interferences of the rear opening at floor level.
- W204 REAR OPENING WIDTH AT BELT. The minimum dimension measured laterally between the limiting interferences of the rear opening at belt height or top of pick up box.
- W205 REAR OPENING WIDTH ABOVE BELT. The minimum dimension measured laterally between the limiting interferences of the rear opening above the belt height.
- W500 CARGO WIDTH AT FLOOR. The maximum dimension measured laterally between the limiting interferences at the floor level. This dimension shall include ribs and pillars, but will exclude wheelhouses.
- H197 FRONT SEATBACK TO LOAD FLOOR HEIGHT. The dimension measured vertically from the horizontal tangent to the top of the seatback to the undepressed floor covering.
- H201 CARGO HEIGHT. The dimension measured vertically from the top of the undepressed floor covering to the headlining at the rear wheel "X" coordinate on the zero "Y" plane.
- H202 REAR OPENING HEIGHT. The dimension measured vertically from the top of the undepressed floor covering to the upper trimmed opening on the zero "Y" plane with rear door fully open.
- H250 TAILGATE TO GROUND CURB MASS (WT.). The dimension measured vertically from the top of the undepressed floor covering on the lowered tailgate to ground on the zero "Y" plane.
- H505 MAXIMUM CARGO HEIGHT. The maximum vertical dimension rear of the front seat from the cargo floor to roof bow or headlining at the zero "Y" plane.

MVMA Specifications

METRIC (U.S. Customary)

Interior Vehicle And Body Dimensions – Key Sheet Dimensions Definitions

V2 STATION WAGON

Measured in inches:

$$\frac{W4 \times H201 \times L204}{1728} = \text{ft}^3$$

Measured in mm:

$$\frac{W4 \times H201 \times L204}{10^9} = \text{m}^3 \text{ (cubic meter)}$$

V4 HIDDEN LUGGAGE CAPACITY – REAR OF FRONT SEAT.

The total volumes of individual pieces of one set of standard luggage stowed in any hidden cargo area below the load floor rear of the front seat.

V5 TRUCKS AND MPV'S WITH OPEN AREA.

Measured in inches:

$$\frac{L506 \times W505 \times H503}{1728} = \text{ft}^3$$

Measured in mm:

$$\frac{L506 \times W500 \times H503}{10^9} = \text{m}^3 \text{ (cubic meter)}$$

V6 TRUCKS AND MPV'S WITH CLOSED AREA.

Measured in inches:

$$\frac{L204 \times W500 \times H505}{1728} = \text{ft}^3$$

Measured in mm:

$$\frac{L204 \times W500 \times H505}{10^9} = \text{m}^3 \text{ (cubic meter)}$$

V8 HIDDEN LUGGAGE CAPACITY – REAR OF SECOND SEAT.

The total volume of individual pieces of one set of standard luggage stowed in any hidden cargo area below the load floor rear of the second seat.

V10 STATION WAGON CARGO VOLUME INDEX.

Measured in inches:

$$\frac{H201 \times L205 \times \frac{W4 + W201}{2}}{1728} = \text{ft}^3$$

Measured in mm:

$$\frac{H201 \times L205 \times \frac{W4 + W201}{2}}{10^9} = \text{m}^3 \text{ (cubic meter)}$$

Hatchback – Cargo Space Dimensions

All hatchback cargo dimensions are to be taken with the front seat in full down and rear position, and the rear seat folded down. The hatchback door is in the closed position. (For electronically adjusted seats, see the manufacturer's specifications for Design "H" Point).

L208 CARGO LENGTH AT FRONT SEATBACK HEIGHT. The minimum horizontal dimension from the "X" plane tangent to the rearmost surface of the driver's seatback to the inside limiting interference of the hatchback door on the vehicle zero "Y" plane.

L209 CARGO LENGTH AT FLOOR – FRONT. The minimum horizontal dimension measured at floor level from the rear of the front seatback to the normal limiting interference of the hatchback door on the vehicle zero "Y" plane.

L210 CARGO LENGTH AT SECOND SEATBACK HEIGHT. The minimum dimension measured from the "X" plane tangent to the rearmost surface of second seatback or the load floor which is stowed at least one half of the H198 dimension height above the rear load floor, to the rearmost inside limiting interference on the zero "X" plane.

L211 CARGO LENGTH AT FLOOR – SECOND SEATBACK. The minimum horizontal dimension measured at floor level from the rear of the second seatback or load floor panel to the normal limiting interference of the hatchback door on the vehicle zero "Y" plane.

H197 FRONT SEATBACK TO LOAD HEIGHT. The dimension measured vertically from the horizontal tangent to the top of the seatback to the undepressed floor covering.

H198 SECOND SEATBACK TO LOAD FLOOR HEIGHT. The dimension measured vertically from the second seatback to the undepressed floor covering.

V3 HATCHBACK.

Measured in inches:

$$\frac{\frac{L208 + L209}{2} \times W4 \times H197}{1728} = \text{ft}^3$$

Measured in mm:

$$\frac{\frac{L208 + L209}{2} \times W4 \times H197}{10^9} = \text{m}^3 \text{ (cubic meter)}$$

V4 HIDDEN LUGGAGE CAPACITY – REAR OF FRONT SEAT. The total volumes of individual pieces of one set of standard luggage stowed in any hidden cargo area below the load floor rear of the front seat.

V11 HATCHBACK CARGO VOLUME INDEX. Usable luggage (one (1) stand and luggage set) below floor:

Measured in inches:

$$\frac{\frac{L210 + L211}{2} \times W4 \times H198}{1728} = \text{ft}^3$$

Measured in mm:

$$\frac{\frac{L210 + L211}{2} \times W4 \times H198}{10^9} = \text{m}^3 \text{ (cubic meter)}$$

MVMA Specifications

METRIC (U.S. Customary)

Index

Subject	Page No.	Subject	Page No.
Alternator	16	Passenger Capacity	1
Axle Drive, Front, Rear, All Four	2, 9, 10	Passenger Mass Distribution	26
Axle Shafts	10	Pistons	3
Battery	16	Power Brakes	12
Body and Miscellaneous Information	17	Power, Engine	2
Brakes - Parking Service	12, 13	Power Steering	14
Camber	15	Power Teams	2
Camshaft	3	Propeller Shaft	10
Capacities		Pumps - Fuel	6
Cooling System	5	Water	5
Fuel Tank	8	Radiator - Cap, Hoses, Core	5
Lubricants		Ratios - Axle, Transaxle	2, 9, 10
Engine Crankcase	4	Compression	2
Transmission / Transaxle	8, 9	Steering	14
Rear Axle	10	Transmission Transaxle	2, 8, 9
Carburetor	2, 6	Rear Axle	2, 10
Caster	15	Regulator - Alternator	16
Climate Control System	19	Restraint System	18
Clutch - Pedal Operated	8	Rims	13
Coil, Ignition	16	Rods - Connecting	4
Connecting Rods	4	Scrub Radius	14
Convenience Equipment	20-21	Seats	17
Cooling System	5	Shock Absorbers, Front & Rear	11
Crankshaft	4	Spark Plugs	16
Cylinders and Cylinder Head	3	Speedometer	15
Diesel Information	4	Springs - Front & Rear Suspension	11
Dimension Definitions		Stabilizer (Sway Bar) - Front & Rear	11
Key Sheet - Exterior	28, 31, 32	Starting System	16
Key Sheet - Interior	29, 30, 32, 33, 34	Steering	14
Electrical System	15, 16	Suppression - Ignition, Radio	16
Emission Controls	7	Suspension - Front & Rear	11
Engine - General		Tail Pipe	7
Bore, Stroke, Type	3	Theft Protection	21
Compression Ratio	2	Thermostat, Cooling	5
Displacement	2, 3	Tires	13
Firing Order, Cylinder Numbering	3	Toe-In	15
General Information, Power & Torque	2	Torque Converter	9
Intake System	4	Torque - Engine	2, 8, 9
Power Teams	2	Trailer Towing	21
Exhaust System	7	Transaxle	9
Equipment Availability, Convenience	20	Transmission - Types	2, 8, 9
Fan, Cooling	5	Transmission - Automatic	2, 9
Filters - Engine Oil, Fuel System	4	Transmission - Manual	2, 8
Four Wheel Drive	10	Transmission - Ratios	2, 8, 9
Frame	17	Tread	22
Front Suspension	11	Trunk Cargo Load	1
Front Wheel Drive Unit	10	Trunk Luggage Capacity	23
Fuel Economy, EPA	1	Turning Diameter	14
Fuel Injection	6	Unitized Construction	18
Fuel System	6	Universal Joints, Propeller Shaft	10
Fuel Tank	6	Valve System	4
Glass	18	Vehicle Dimensions	
Headlamps	18	Width	22
Headroom - Body	23, 24	Length	22
Heights	22	Height	22
Horns	15	Ground Clearance	22
Horsepower - Brake	2	Front Compartment	23
Ignition System	16	Rear Compartment	23
Inflation - Tires	13	Luggage Compartment	23
Interior Volumes	23	Station Wagon - Third Seat	24
Instruments	15	Station Wagon - Cargo Space	24
Legroom	23, 24	Hatchback - Cargo Space	24
Lengths	22	Fiducial Marks	25
Leveling, Suspension	11	Voltage Regulator	16
Lifters, Valve	4	Water Pump	5
Linings - Clutch, Brake	8, 12	Weights	26, 27
Lubrication - Engine Transmission Transaxle	4, 8, 9	Wheel Alignment	15
Luggage Compartment	23	Wheelbase	22
Models	1	Wheels & Tires	13
Motor Starting	16	Wheel Spindle	14
Muffler	7	Widths	22
Origin	1	Windshield	18
		Windshield Wiper and Washer	15