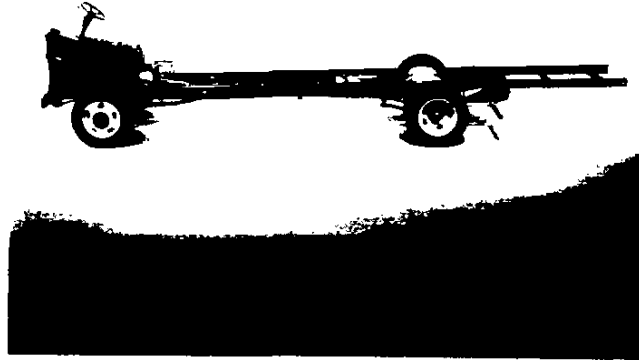


MOTOR HOME CHASSIS



CONTENTS

	<u>Page</u>
MODELS	2
POWERTRAINS	3
STANDARD SUSPENSION	5
OPTIONAL SUSPENSION	6
WHEELS AND TIRES	7
FRAME/STEERING/BRAKES	8
ELECTRICAL	9
COOLING	10
DIMENSIONS	11
OPTIONS	12

MOTOR HOME CHASSIS

NOTE: All Motor Home Chassis models are for recreational vehicle use only and are not to be used for the mounting of any type of commercial body.

MOTOR HOME CHASSIS						
P30 MOTOR HOME CHASSIS (137-IN. WB)	WB (IN.)	GVWR (LBS.)	MAX' PAYLOAD (LBS.)	STD ENGINE/ TRANS	OPT ENGINE/ TRANS	MODEL/ BODY CODE
	137	10,500	6367	7.4L V8/A4	6.2L V8/A4	CP31132/ZW9
	137	11,000	6848	7.4L V8/A4	6.2L V8/A4	CP31132/ZW9/F66 ²
	137	11,800	7648	7.4L V8/A4	6.2L V8/A4	CP31132/ZW9/G50 ³
	137	12,300	8130	7.4L V8/A4	6.2L V8/A4	CP31132/ZW9/G50/F66 ⁴
P30 MOTOR HOME CHASSIS (158.5-IN. WB)	WB (IN.)	GVWR (LBS.)	MAX' PAYLOAD (LBS.)	STD ENGINE/ TRANS	OPT ENGINE/ TRANS	MODEL/ BODY CODE
	158.5	10,500	6247	7.4L V8/A4	6.2L V8/A4	CP31432/ZW9
	158.5	11,000	6729	7.4L V8/A4	6.2L V8/A4	CP31432/ZW9/F66 ²
	158.5	11,800	7529	7.4L V8/A4	6.2L V8/A4	CP31432/ZW9/G50 ³
	158.5	12,300	8010	7.4L V8/A4	6.2L V8/A4	CP31432/ZW9/G50/F66 ⁴
	158.5	14,500	9905	7.4L V8/A4	6.2L V8/A4	CP31432/ZW9/HC7 ^{5,6}
	158.5	14,800	10,203	7.4L V8/A4	6.2L V8/A4	CP31432/ZW9/F42 ⁵
P30 MOTOR HOME CHASSIS (178-IN. WB)	WB (IN.)	GVWR (LBS.)	MAX' PAYLOAD (LBS.)	STD ENGINE/ TRANS	OPT ENGINE/ TRANS	MODEL/ BODY CODE
	178	14,500	9673	7.4L V8/A4	—	CP31832/ZW9/HC4 ^{5,6}
	178	14,800	9971	7.4L V8/A4	—	CP31832/ZW9/F42 ⁵
	178	16,000	11,035	7.4L V8/A4	—	CP31832/ZW9/F44 ⁷
P30 MOTOR HOME CHASSIS (190-IN. WB)	WB (IN.)	GVWR (LBS.)	MAX' PAYLOAD (LBS.)	STD ENGINE/ TRANS	OPT ENGINE/ TRANS	MODEL/ BODY CODE
	190	14,500	9588	7.4L V8/A4	—	CP31932/ZW9/HC4 ^{5,6}
	190	14,800	9885	7.4L V8/A4	—	CP31932/ZW9/F42 ⁵
	190	16,000	10,950	7.4L V8/A4	—	CP31932/ZW9/F44 ⁷
P30 MOTOR HOME CHASSIS (208-IN. WB)	WB (IN.)	GVWR (LBS.)	MAX' PAYLOAD (LBS.)	STD ENGINE/ TRANS	OPT ENGINE/ TRANS	MODEL/ BODY CODE
	208	14,500	9565	7.4L V8/A4	—	CP32032/ZW9/HC4 ^{5,6}
	208	14,800	9862	7.4L V8/A4	—	CP32032/ZW9/F42 ⁵
	208	16,000	10,926	7.4L V8/A4	—	CP32032/ZW9/F44 ⁷

P30 MOTOR HOME CHASSIS (137-IN. WB)
The P30 Motor Home Chassis 137-inch wheelbase model is offered in a choice of four GVWR's with either gasoline or diesel power.

P30 MOTOR HOME CHASSIS (158.5-IN. WB)
The P30 Motor Home Chassis 158.5-inch wheelbase model offers a longer wheelbase and additional GVWR capacities when compared to the 137-inch model. Both gasoline and diesel power are offered.

P30 MOTOR HOME CHASSIS (178-IN. WB)
The P30 178-inch wheelbase model offers an increased wheelbase compared to the 137-inch and 158.5-inch wheelbase versions. It is available in three GVWR's with a 7.4-liter V8 gasoline engine.

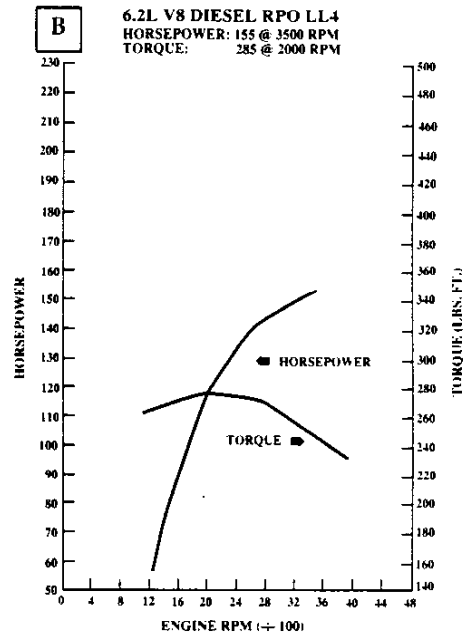
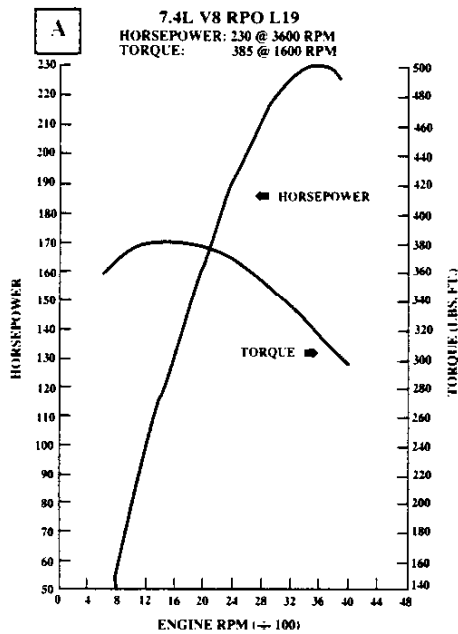
P30 MOTOR HOME CHASSIS (190-IN. WB)
The P30 Motor Home Chassis 190-inch wheelbase model offers increased wheelbase length in comparison to the previous three Motor Home Chassis models. It is offered in three GVWR's with a 7.4-liter V8 gasoline engine.

P30 MOTOR HOME CHASSIS (208-IN. WB)
The P30 Motor Home Chassis 208-inch wheelbase model offers the longest wheelbase of the P30 series. It is offered in three GVWR's with a 7.4-liter V8 gasoline engine.

¹Based on Curb Weight ²Reqs YEA tires. ³Reqs. YEA or YYK tires. ⁴Reqs. YEA or YNP tires.
⁵Reqs. YNP, YSN, or YTN tires. ⁶Reqs. HC4, HC7, or HF8 rear axle. ⁷Reqs YNP or YTN tires.

HORSEPOWER AND TORQUE RATINGS

ENGINES	7.4L V8	6.2L V8 DIESEL
RPO CODE	L19	LL4
CHART REFERENCE CODE	A	B
SAE NET HORSEPOWER @ RPM	230 @ 3600	155 @ 3500
SAE NET TORQUE LB. FT. @ RPM	385 @ 1600	285 @ 2000
FUEL SYSTEM	EFI	Gear Driven Mechanical Fuel Injection
STD. BATTERY (Cold Cranking Amps @ 0° F)	630	2 @ 540 each



KEY: S - Standard
O - Optional
— Not Available

MODEL	ENGINE	TRANSMISSION (MX0) AUTO 4-SPEED	AXLES					GVWR
			Economy		Power			
			4.10	4.56	4.63	4.88	5.13	
P30 MOTOR HOME CHASSIS CP31132 (137-IN. WB)	7.4L V8 (L19)	S	S ¹	O	—	—	—	10,500 11,000 11,800 12,300
		S	—	S	—	O	—	14,500 ² / 14,800 ²
CP31432 (158.5-IN. WB)	6.2 L V8 (LL4) Diesel	S	S ¹	O	—	—	—	10,500
		S	—	S	—	—	—	11,000
		S	S ¹	O	—	—	—	11,800
		S	—	S	—	—	—	12,300
		S	—	—	—	—	S ¹	14,500 ²
P30 MOTOR HOME CHASSIS CP31832 (178-IN. WB) CP31932 (190-IN. WB) CP32032 (208-IN. WB)	7.4L V8 (L19)	S	—	S	—	O	—	14,500/ 14,800
		S	—	—	S ¹	—	O ¹	16,000

¹ N/A G80 Locking Differential. ² CP31432 Models Only.

TRANSMISSION		AUTOMATIC	
MODEL		4-SPEED W/OVERDRIVE 4L80-E	
RPO CODE		MX0	
GEAR RATIOS			
First		2.48	
Second		1.48	
Third		1.00	
Fourth		0.75	
Reverse		2.08	
GEAR TYPE		Planetary	
TORQUE CONVERTER			
Element Types		Pump/Stator/Turbine	
Lock-up Clutch		Automatic	
LUBRICANT CAPACITY (pints)			
Dry Fill		13.5	
Refill		6	

AXLES		REAR						
MAKE AND CAPACITY (lbs.)		GM ¹ 7900 Full-Floating		Dana ^{1,4} 10,000 Full-Floating			Dana ⁴ 10,500 Full-Floating	
PINION & RING GEARS		Hypoid		Hypoid			Hypoid	
Type								
Ratio		4.10	4.56	4.56	4.88	5.13 ²	4.63	5.13
Pinion Teeth		10	9	9	8	8	8	8
Ring Gear Teeth		41	41	41	39	41	37	41
Ring Gear Dia. (in.)		10.5	10.5	10.5	10.5	10.5	11.3	11.3
DIFFERENTIAL								
Type		4-Pinion Tapered Roller		4-Pinion Tapered Roller			4-Pinion Tapered Roller	
Bearings, Type								
AXLE SHAFTS		Full-Floating Integral Shaft and Drive Flange		Full-Floating Integral Shaft Spline Attach w/Cap			Full-Floating Integral Shaft Spline Attach w/Cap	
Type								
Min. Diameter (in.)		1.34		1.38			1.38	
HOUSING @ SPRING SEAT		3.38 x .282		4.0 (Tubular) ³ .314 (Wall)			4.0 (Tubular) ³ .314 (Wall)	
Section Diameter and Thickness (in.)								

¹ 14,500 lb. and 14,800 lb. GVWR Only. ² Diesel Models Only ³ Dana models have Tubular Section Only.

⁴ Refer to Standard and Optional Suspension pages 5 and 6 for specific model availability.

MODEL	P30 MOTOR HOME CHASSIS (137-IN. WB)	P30 MOTOR HOME CHASSIS (158.5-IN. WB)	P30 MOTOR HOME CHASSIS (178-IN. WB)	P30 MOTOR HOME CHASSIS (190-IN. WB)	P30 MOTOR HOME CHASSIS (208-IN. WB)
MODEL NUMBER	CP31132/ZW9	CP31432/ZW9	CP31832/ZW9	CP31932/ZW9	CP32032/ZW9
STANDARD SUSPENSION					
PAYLOAD (Max. lbs.) ¹	6367	6247	9673	9588	9565
GVWR (lbs.)	10,500	10,500	14,500	14,500	14,500
GAWR (lbs.): Front Rear	4300 6200	4300 6200	5000 9840	5000 9840	5000 9840
FRONT SUSPENSION Type (Total lbs.)	Independent Coil w/Aux. Air Spring 4400	Independent Coil w/Aux. Air Spring 4400	Independent Coil w/Aux. Air Spring 5000	Independent Coil w/Aux. Air Spring 5000	Independent Coil w/Aux. Air Spring 5000
Front Shock Absorbers Piston Diameter (mm)	32	32	32	32	32
Front Stabilizer Bar Piston Diameter (in.)	1.25	1.25	1.25	1.25	1.25
REAR SUSPENSION Type	Semi-Elliptic 2-Stage Multi-Leaf	Semi-Elliptic 2-Stage Multi-Leaf	Semi-Elliptic 2-Stage Multi-Leaf	Semi-Elliptic 2-Stage Multi-Leaf	Semi-Elliptic 2-Stage Multi-Leaf
Standard Spring Capacity (Total lbs.)	6200	6200	10,000	10,000	10,000
Leaves Per Spring	7	7	10	10	10
Leaf Total Thickness (in.)	2.66	2.66	4.04	4.04	4.04
Rear Shock Absorbers Piston Diameter (mm)	32	32	32	32	32
FRONT AXLE Type Make Maximum Capacity (lbs.)	— — 4300	— — 4300	— — 5000	— — 5000	— — 5000
REAR AXLE Type Make Maximum Capacity (lbs.) Pinion/Ring Gear Type	Full-Floating GM 7900 Hypoid	Full-Floating GM 7900 Hypoid	Full-Floating Dana 10,000 Hypoid	Full-Floating Dana 10,000 Hypoid	Full-Floating Dana 10,000 Hypoid
STANDARD TIRES Front/ Rear Capacity (lbs.) each Front/Rear Inflation (PSI) Max. Revolutions per mile @ 45 MPH	Tubeless SBR LT215/85R16D LT215/85R16D 2335/2335 65/65 682	Tubeless SBR LT215/85R16D LT215/85R16D 2335/2335 65/65 682	Tubeless SBR 8R-19.5D 8R-19.5D 2780 65 613	Tubeless SBR 8R-19.5D 8R-19.5D 2780 65 613	Tubeless SBR 8R-19.5D 8R-19.5D 2780 65 613
WHEELS Size (in.) Capacity (lbs.) each Bolt Holes Bolt Circle Diameter Offset	16.0 x 6.5L 2780 8 6.5 22	16.0 x 6.5L 2780 8 6.5 22	19.5 x 6.0 2540 8 6.5 127	19.5 x 6.0 2540 8 6.5 127	19.5 x 6.0 2540 8 6.5 127

¹Based on Curb Weight.

MODEL	P30 MOTOR HOME CHASSIS (137-IN. WB)			P30 MOTOR HOME CHASSIS (158.5-IN. WB)				P30 MOTOR HOME CHASSIS		
	CP31132/ZW9			CP31432/ZW9				CP31832/ZW9 (178-IN. WB) CP31932/ZW9 (190-IN. WB) CP32032/ZW9 (208-IN. WB)		
OPTIONAL SUSPENSION										
OPTION	F66	G50	G50/ F66	F66	G50	G50/ F66	HC7, HF8, or HF4	F42	F42	F44
PAYLOAD (Max. lbs.) ¹	6848	7648	8130	6729	7529	8010	9905	10203	9971 9885 9862	11,035 10,950 10,926
GVWR (lbs.)	11,000	11,800	12,300	11,000	11,800	12,300	14,500	14,800	14,800	16,000
GAWR (lbs.)	4880 6200	4300 7500	4880 7500	4880 6200	4300 7500	4880 7500	5000 9840	5300 9840	5300 9840	5500 10,500
FRONT SUSPENSION Type	Independent Coil w/Aux. Air Spring			Independent Coil w/Aux. Air Spring				Independent Coil w/Aux. Air Spring	Independent Coil w/Aux. Air Spring	
Standard Spring Cap. (Total lbs.)	5000	4400	5000	5000	4400	5000	5000	5300	5300	5500
Front Shock Absorbers Piston Diameter (mm)	32			32				32	32	
Front Stabilizer Bar Piston Diameter (in.)	1.25			1.25				1.25	1.25	
REAR SUSPENSION Type	Semi- Elliptic 2-Stage Multi-Leaf			Semi- Elliptic 2-Stage Multi-Leaf				Semi- Elliptic 2-Stage Multi-Leaf	Semi- Elliptic 2-Stage Multi-Leaf	
Standard Spring Cap. (Total lbs.)	6200	7500	7500	6200	7500	7500	10,000	10,000	10,000	10,000
Leaves Per Spring	7	8	8	7	8	8	10	10	10	10
Leaf Total Thickness (in.)	2.66	2.97	2.97	2.66	2.97	2.97	4.04	4.04	4.04	4.04
Rear Shock Absorbers Piston Diameter (mm)	32			32				32	32	
FRONT AXLE Type	—	—	—	—	—	—	—	—	—	—
Make	—	—	—	—	—	—	—	—	—	—
Maximum Capacity (lbs.)	5000	4300	5000	5000	4300	5000	5000	5300	5300	5500
REAR AXLE Type	Full- Floating GM			Full- Floating GM		Full- Floating Dana	Full- Floating Dana	Full- Floating Dana	Full- Floating Dana	
Make	GM			GM		Dana	Dana	Dana	Dana	
Maximum Capacity (lbs.)	7900			7900		10,000	10,000	10,000	10,500	
Pinion/Ring Gear Type	Hypoid			Hypoid		Hypoid	Hypoid	Hypoid	Hypoid	
STANDARD TIRES Front/Rear	7.50-16/LT-D ²			7.50-16/LT-D ²			TbIs. SBR 8R-19.5D	TbIs. SBR 8R-19.5D	Tubeless SBR 8R-19.5D	
Capacity (lbs.) each	2440			2440			2780	2780	2780	
Inflation (PSI) maximum	65			65			65	65	65	
Revolutions per mile @ 45 MPH	653			653			613	613	613	
WHEELS Size (in.)	16.0 x 6.0			16.0 x 6.0			19.5 x 6.0	19.5 x 6.0	19.5 x 6.0	
Capacity (lbs.) each	2440			2440			2540	2540	2540	
Bolt Holes	8			8			8	8	8	
Bolt Circle Diameter (in.)	6.5			6.5			6.5	6.5	6.5	
Offset (mm)	127			127			127	127	127	

¹ Based on Curb Weight. ² LT215/85R16D standard on models at 11,800 GVWR. See Wheels and Tires for specifications.

WHEELS AND TIRES

1992
MOTOR HOME CHASSIS

KEY: — Not Available
AS - All-Season
SBT - Steel-Belted Radial Ply

BW - Blackwall
WW - Whitewall
WL - White Lettered

HWY - Highway
ON-OFF - On-Off Road
WOL - White Outline Lettered

WHEELS AND TIRES												
TIRE SIZE	TYPE	RPO	PLY	LOAD RANGE	TIRE CAPACITY (LBS.) EA.	INFLATION (PSI) MAX.	WHEEL SIZE (IN.)	WHEEL CAPACITY (LBS.) EA.	BOLT HOLES	BOLT CIRCLE DIA. (IN.)	OFFSET (MM)	REV. PER MILE @ 45 MPH
LT215/85R16C	SBR/BW Rear: Spare:	YYJ	6	C	1940	50	16.0 x 6.5L	2780	8	6.5	22	682
LT215/85R16D	SBR/BW Front: Rear: Spare:	XYK YYK ZYK	8	D	2335	65	16.0 x 6.5L	2780	8	6.5	22	682
LT225/70R19.5F	Front: Rear: Spare:	XTN YTN ZTN	10	F	3640	75 ¹	19.5 x 6.0	2540	10	7.25	127	646
7.50-16/LT-D	HWY Polyester Front: Rear: Spare:	XEA YEA ZEA	8	D	2440	65	16.0 x 6.0	2440	8	6.5	127	653
8-19.5D	HWY Nylon BW Front: Rear: Spare:	XSN YSN ZSN	8	D	2800	75	19.5 x 6.0	2540	8	6.5	127	613
8R-19.5D	HWY SBR/BW Front: Rear: Spare:	XNP YNP ZNP	8	D	2780	65	19.5 x 6.0	2540	8	6.5	127	613

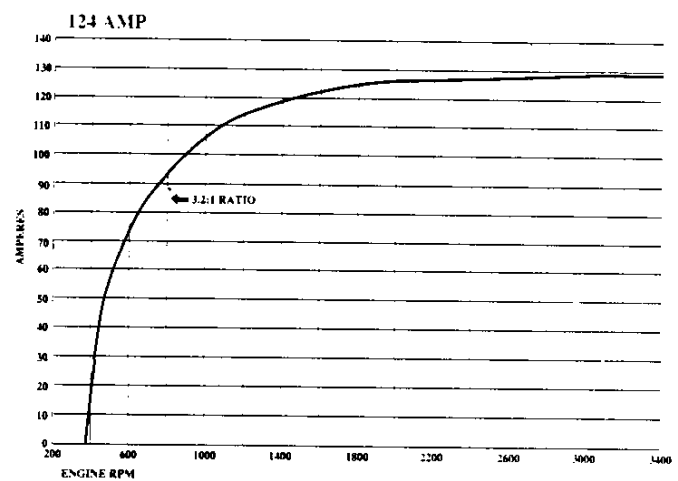
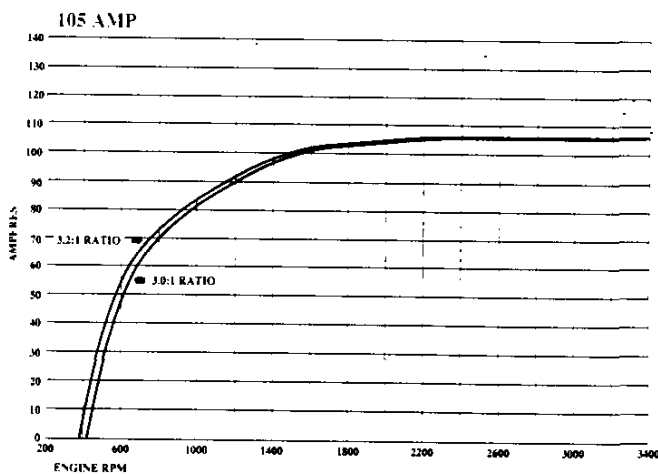
¹ 70 PSI on 16,000 lb. GVWR Motor Home Chassis.

MODEL	P30 MOTOR HOME CHASSIS (137-IN. WB)		P30 MOTOR HOME CHASSIS (158.5-IN. WB)		P30 MOTOR HOME CHASSIS (178-IN. WB)		P30 MOTOR HOME CHASSIS (190-IN. WB)		P30 MOTOR HOME CHASSIS (208-IN. WB)	
MODEL NUMBER	CP31132/ZW9		CP31432/ZW9		CP31832/ZW9		CP31932/ZW9		CP32032/ZW9	
FRAME										
Side Rail Dimensions Width (in.)	2.57		2.57		2.57		2.57		2.57	
Depth (in.)	7.01		7.01		7.01		7.01		7.01	
Thickness (in.)	.194		.224		.224		.224		.244	
Section Modulus Rails Only (cu. in.)	5.26		6.12		6.12		6.12		6.12	
RBM of Frame (lbs. in.)	205.140		238.680		238.680		238.680		238.680	
Yield Strength (psi)	39.000		39.000		39.000		39.000		39.000	
Width Over Rails Front (in.) Rear (in.)	28.14 33.64		28.14 33.64		28.14 33.64		28.14 33.64		28.14 33.64	
Overall Length of Rail (in.)	234.90		256.40		275.90		287.90		305.90	
STEERING										
Type	Integral Power		Integral Power		Integral Power		Integral Power		Integral Power	
Steering Ratio	16:1		16:1		16:1		16:1		16:1	
Turning Diameter: STD/ w/I-Beam Front Axle Curb-to-Curb (ft.) Wall-to-Wall (ft.)	49.1/50.4 51.3/51.9		55.8/57.7 58.0/58.4		60.5 63.1		64.3 66.9		69.9 72.5	
BRAKES										
GVWR (lbs.)	10,500- 11,800	12,300	10,500- 11,800	12,300- 14,800 ²	14,500-16,000		14,500-16,000		14,500-16,000	
Type	Hyd. Power ¹ Front Disc/Rear Drum		Hyd. Power ¹ Front Disc/Rear Drum		Hyd. Power 4-Wheel Disc		Hyd. Power 4-Wheel Disc		Hyd. Power 4-Wheel Disc	
Front Rotor Size (Diameter x Thickness) (in.)	12.50 x 1.54	14.25 x 1.54	12.50 x 1.54	14.25 x 1.54	14.25 x 1.54		14.25 x 1.54		14.25 x 1.54	
Front Facing Contact Per Axle (sq. in.)	45.79		45.79		45.79		45.79		45.79	
Rear Drum Size (Diameter x Width) (in.)	13.0 x 3.5	13.75 x 1.54	13.0 x 3.5	13.75 x 1.54 ²	13.75 x 1.54		13.75 x 1.54		13.75 x 1.54	
Rear Facing Contact Per Axle (sq. in.)	166.04	45.78	166.04	45.78	45.78		45.78		45.78	
Parking Brake Type	Cable to Rear Wheels		Cable to Rear Wheels		Internal Expanding		Internal Expanding		Internal Expanding	

¹ Hydraulic-powered automatic.² 14,500 and 14,800 GVWR Provides Hydraulic Power 4-Wheel Disc Brakes.

MODEL	P30 MOTOR HOME CHASSIS (137/158.5-IN. WB)		P30 MOTOR HOME CHASSIS (178/190/208-IN. WB)
MODEL NUMBER	CP31132/ZW9-CP31432/ZW9		CP31832/ZW9-CP31932/ZW9-CP32032/ZW9
	GAS	DIESEL	GAS
ELECTRICAL			
ENGINE	7.4L	6.2L	7.4L
STANDARD BATTERY Cold Cranking Amps @ 0° F @ -20° F Reserve Capacity Min. @ 80° F	630 470 115	Two at 540 Each 405 Each 115 Each	630 470 115
STANDARD ALTERNATOR Max. Capacity (Amps) Max Watts @ 12 Volts Nominal Amp @ Idle approximately Drive Pulley Ratio Model Number	105 1260 42 3.2:1 CS130	105 1260 42 3.0:1 CS130	105 1260 42 3.2:1 CS130
OPTIONAL ALTERNATOR Max. Capacity (Amps) Max Watts @ 12 Volts Nominal Amp @ Idle approximately Drive Pulley Ratio Model Number	KW2 124 1488 50 3.2:1 CS144	— — — — —	KW2 124 1488 50 3.2:1 CS144

ALTERNATOR CURVES



COOLING			
MODEL	P30 MOTOR HOME CHASSIS (137/158.5-IN. WB)		P30 MOTOR HOME CHASSIS (178/190/208-IN. WB)
MODEL NUMBER	CP31132/ZW9-CP31432/ZW9		CP31832/ZW9-CP31932/ZW9-CP32032/ZW9
	GAS	DIESEL	GAS
STANDARD COOLING SYSTEM			
ENGINE	7.4L	6.2L	7.4L
Radiator Thickness (in.)	2.17	2.17	2.17
System Capacity (gal.)	5.7	7.0	5.7
Fan-No. Blades x Diameter x Pitch (in.)	7 x 19.5 x 2.63	5 x 19.5 x 2.88	7 x 19.5 x 2.63

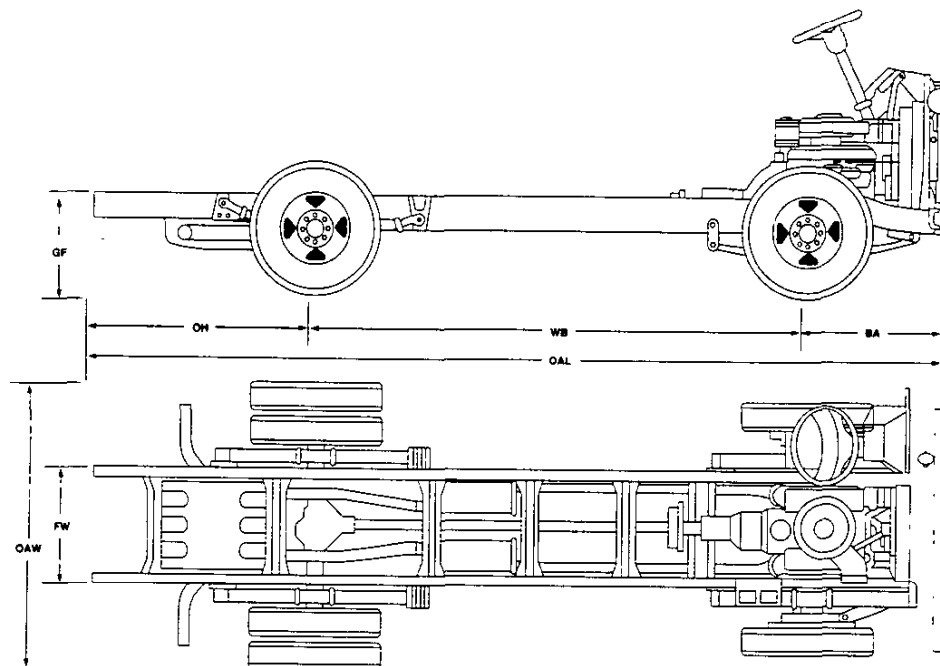
DIMENSIONS

1992
MOTOR HOME CHASSIS

MODEL		P30 MOTOR HOME CHASSIS (137-IN. WB)	P30 MOTOR HOME CHASSIS (158.5-IN. WB)	P30 MOTOR HOME CHASSIS (178-IN. WB)	P30 MOTOR HOME CHASSIS (190-IN. WB)	P30 MOTOR HOME CHASSIS (208-IN. WB)
MODEL NUMBER		CP31132/ZW9	CP31432/ZW9	CP31832/ZW9	CP31932/ZW9	CP32032/ZW9
EXTERIOR						
Wheelbase (in.)	WB	137.0	158.5	178.0	190.0	208.0
Overall Length (in.)	OAL	234.3	259.4	317.3	329.3	347.3
Bumper to Axle (in.) Front	BA	33.5	33.5	33.5	33.5	33.5
Rear Overhang	OH	63.8	67.4	105.8	105.8	105.8
Overall Width (in.)	OAW	85.0	85.0	85.0	85.0	85.0
Frame Width (in.)	FW	34	34	34	34	34
Ground to Top of Frame (in.)	GF	27.9	27.9	30.6	30.6	30.6
FUEL TANK						
Std./Opt. Tank Nominal (gal.)		40 ¹	40 ¹ /60	40/60/80	40/60/80	40/60/80
Location of Tank		Between Frame Rails Behind Rear Axle	Between Frame Rails Behind Rear Axle	Between Frame Rails Behind Rear Axle	Between Frame Rails Behind Rear Axle	Between Frame Rails Behind Rear Axle
Location of Filler		Left Rear ²	Left Rear ²	Left Rear ²	Left Rear ²	Left Rear ²

¹ 41 gallon tank standard with diesel engine.

² RH fill also available on 80-gallon tank.



KEY: S - Standard
 O - Optional
 — Not Available

1. P30 MOTOR HOME CHASSIS 137-IN. WB (CP31132)
 2. P30 MOTOR HOME CHASSIS 158.5-IN. WB (CP31432)
 3. P30 MOTOR HOME CHASSIS 178-IN. WB (CP31832)
 4. P30 MOTOR HOME CHASSIS 190-IN. WB (CP31932)
 5. P30 MOTOR HOME CHASSIS 208-IN. WB (CP32032)

NOTE: Refer to Dealer Order Guide for updated option availability.

OPTION CODE DESCRIPTION RESTRICTIONS				MODELS				
				2-WHEEL DRIVE				
				1	2	3	4	5
AIR CONDITIONING PROVISION DELETE	EN2		Reqs L19 Eng	O	O	O	O	O
ALTERNATOR	KW2	124 Amp	Reqs L19 Eng	O	O	O	O	O
AXLE, REAR Locking Differential	G80		N/A CP31132 Reqs 8-19.5 Tires	O	O	O	O	O
CHASSIS	F44	Heavy-Duty	Reqs YNP or YTN Tires	—	—	O	O	O
ENGINES 7.4-liter V8 Gas 6.2-liter V8 Diesel	L19 LL4	(See Powertrains)		S O	S O	S —	S —	S —
HEADLAMPS, DUAL RECTANGULAR	HPR			O	O	O	O	O
HEATER	K05	Engine Block	N/A B3J Diesel Equipment	O	O	O	O	O
SPEED CONTROL Electronic	K34	Includes Intermittent Windshield Wipers	Requires L19 Engine	O	O	O	O	O
SPRING	G50	Rear, Heavy-Duty; Capacity 3750-lb each	11,800 or 12,300 GVWR Only	O	O	—	—	—
SUSPENSION	F66 F42	Positrim Front; Heavy-Duty Front; Heavy Duty	Reqs 11,000- or 12,300 lb. GVWR Reqs. 14,800 GVWR N/A w/F44	O —	O O	— O	— O	— O
TANK, FUEL	NN4 NJ9	Approx 60-Gal Capacity Approx 80-Gal Capacity	N/A CP31132	— —	O —	O O	O O	O O
TIRES LT215/85R16C LT215/85R16D LT225/70R19.5F 7.50-16T/D 8-19.5E 8R-19.5D	YYJ XYK YYK ZYK XTN YTN ZTN XEA YEA ZEA XSN YSN ZSN XNP YNP ZNP	(See Wheels and Tires for Details)		O S — O — O O	O S O O — O O	— — O — O O	— — O — O O	— — O — O O
TRANSMISSIONS	MX0	4-Speed Automatic w/Overdrive		S	S	S	S	S
WHEEL, SPARE	Q34	19.5" x 6.0" Incl w/Spare Tire	Reqs YNP, YSN or YTN 8-19.5 Tires	—	O	O	O	O
WHEEL COLOR	41P	Black		O	O	O	O	O