

'93

Blazer

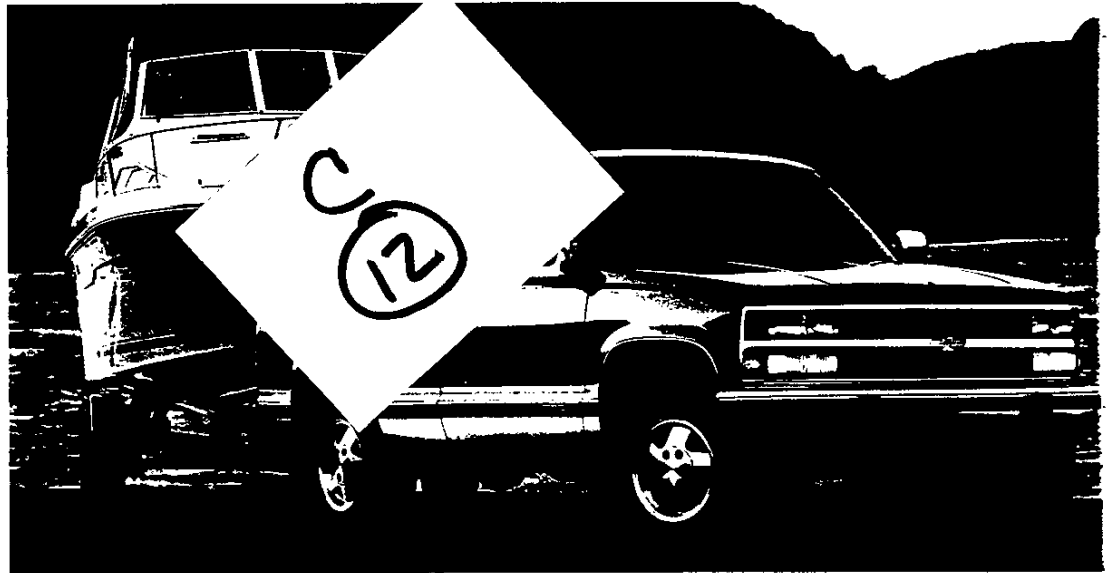
Ordering Information

New for '93

- ▶ "Leading edge" anti-chip coating (same as coating applied to rocker panels) is now used on leading edges of hood, roof and entire "A" pillars; helps prevent stone chips in these areas.
- ▶ Electronically controlled RPO MXD 4-speed automatic transmission.
- ▶ Solar-Ray™ tinted glass standard – all windows; reflects and absorbs up to 60 percent of the sun's energy to reduce interior heat buildup.
- ▶ **Scotchgard™ Fabric Protector** on seats and door trim panels (with cloth interiors only).
- ▶ Seat-back recliner feature added to standard Cheyenne decor low-back bucket seats and Silverado's optional 40/60 split-bench seat.
- ▶ Revised radio controls: new control panel and improved push-button operation.
- ▶ Steel sleeve steering column with Comfortilt wheel is designed for improved security. Improvements include three steel shields, revised lock cylinder and new lock bolt spring.



Feature Vehicle: K1500 Sport ▲



Feature Vehicle: K1500 Silverado ▲

- ▶ Electronic fuel shut-off: automatically limits maximum vehicle speed to less than tire speed rating.
- ▶ Deluxe front appearance option (RPO V22) available with Cheyenne decor.
- ▶ New '93 exterior color – Indigo Blue Metallic – Code 39; replaces Brilliant Blue Metallic – Code 22.
- ▶ Special Two-Tone paint (RPO ZY3) is cancelled (interim 1992 change).

Key Value Features

- ▶ Maximum trailer towing capacity 7000 lbs.
- ▶ 5.7 Liter V8 with EFI gasoline engine standard. Provides excellent performance on- and off-road.
- ▶ 5-speed manual transmission standard; 4-speed automatic electronic overdrive transmission optional.
- ▶ 4-wheel anti-lock brake system (ABS) standard on all models; helps minimize wheel lockup when brakes are applied during hard braking. Also allows driver to steer around obstacles while braking.
- ▶ GVWR rating of 6250 lbs. standard.
- ▶ Self-aligning steering wheel; designed to automatically align with driver's body in the event of a frontal collision to help reduce chest impact and injury.
- ▶ Two-side-galvanized steel body panels (excluding roof); for outstanding corrosion protection.
- ▶ Blazers feature the "shift-on-the-fly" Insta-Trac™ 4x4 system and independent front suspension with torsion bar springs.
- ▶ Blazer's ladder-type, all-steel frame with boxed front section provides a solid foundation.
- ▶ Front and rear suspension systems are designed to provide a smooth ride.
- ▶ Interior and seat fabric design provide pleasing appearance and comfort.
- ▶ Custom Cloth 40/60 split-bench front seat available. Allows 6-passenger seating.
- ▶ All-steel top (replaces removable fiberglass top on pre-1992 models).

'93



Blazer

Positioning for '93

Listed below are the most popular Blazer colors nationally, based on 1992 Model Year production volumes. NOTE: These colors are for reference only. Use RSA to identify the top-selling colors, by model, in your area.

COLOR	PERCENT (%)
41 - Onyx Black	24
50 - Summit White	19
36 - Teal Blue Met.	15
74 - Victory Red	13

NOTE: There is one new Blazer exterior color for '93:
39 - Indigo Blue Metallic.

Positioning for '93

Blazer is a dependable, long-lasting, "go anywhere" multipurpose family vehicle, purchased primarily for recreational use. It's often used as a family's second or third vehicle. Its fresh sheet metal (all new last year) rides on the proven K "platform" (frame, chassis and suspension). This makes Blazer a relatively new product with

vastly improved appearance, quality, comfort, roominess, durability, steering, ride and handling when compared to pre-1992 models. Now much more appealing to the sport utility market, Blazer is a strong competitor to domestic and import models in the upper end of the full-size sport utility segment.

Options Recommendations

FEATURE AND FOCUS VEHICLES

The Feature vehicle for 1993 is the K1500 Blazer 4x4 with optional Sport Package. It is the vehicle Chevrolet plans to feature in advertising, merchandising, show and display activities, and it was chosen because it combines appearance with utility. The main application for this vehicle is recreation with increasing use as a primary family vehicle. With the enhancement of the Sport Package, this model appeals to customers wanting a larger and more upscale sport utility vehicle with the latest engineering features.

The K1500 Silverado 4x4 is the 1993 Blazer Focus vehicle, as it represents the best opportunity for volume sales nationally (it has traditionally represented over 90% of the model mix).

NOTE: The Blazer Focus model may vary in your locality. You can verify or select your dealership's Blazer Focus model with Retail Sales Analysis (RSA).

FOCUS PLANNING WITH RETAIL SALES ANALYSIS

Economic influences, fuel costs, seasonal changes and many other variable factors can influence truck customers. During the model year you can "take the pulse" of sport utility buyers as required to determine what models, PEGs and colors are currently being most often chosen. To do this, Chevrolet Motor Division recommends that you utilize Retail Sales Analysis when ordering vehicles for inventory. The RSA is found in the Chevrolet Dealer Information System (DCS/CDIS).

- ▶ Use RSA to identify which Blazer models, PEGs and colors are selling at your dealership as well as at other dealerships in your MDA, Sales Area, ADI, MSSA, Branch, SMA, and National.
- ▶ You can increase your vehicle turnover rate by using RSA to identify top-selling models and PEGs that you can focus on in your advertising and promotions.
- ▶ For more information about RSA, refer to your Chevrolet Dealer Information System (CDIS) Manual or contact your Account Manager - CMC.

Preferred Equipment Groups

Popular Blazer options are combined into convenient Preferred Equipment Groups. These equipment packages are designed to:

- ▶ Appeal to a broad base of your truck customers
- ▶ Make ordering easier
- ▶ Add value to vehicles and enhance trade-in value
- ▶ Enable you to make your inventory and sales strategies more responsive to your competition.

The Chevy Blazer, when ordered with Preferred Equipment Group 3, offers the features that most full-size sport utility buyers want.

RECOMMENDED 1993 BLAZER FOCUS MODEL/PEG

- ▶ **K1500 Blazer with PEG 3 (K5A3)**
Includes: ♦ Body (ZW9) ♦ Silverado Decor ♦ Air Conditioning ♦ Convenience Group: Comfort Steering and Speed Control ♦ Tires: LT245/75R-16C ♦ Radio: AM/FM Stereo with Cassette Tape Player and Clock ♦ Rear Window Wiper/Washer System ♦ Remote Electric Outside Rearview Mirror ♦ Aluminum Wheels.

See Truck Order Guide for complete PEG description, full content descriptions and allowable substitutions.

Forecasted Percent of Mix — 1993 Blazer⁶

SERIES	
K1500	100%
Total	100%

MODELS	
4WD	100%
Total	100%

TRIM LEVELS	
Cheyenne	15%
Silverado	85%
Total	100%

ENGINES	
5.7L	100%
Total	100%

TRANSMISSIONS	
MM5	4%
MX0	96%
Total	100%

MODELS PASSENGERS

Blazer (CK10516) 5

DIMENSIONS

Wheelbase (inches) 111.5
 Length (overall-inches) 188.0
 Width (overall-inches) 77.0
 Payload (pounds)
 5.7L V8 Gas Engine 1574
 GVWR 6250
 Fuel Tank Capacity 30 Gal.

POWER TEAMS

STANDARD ENGINE
 RPO L05 5.7 Liter V8 Engine with Electronic Fuel Injection (EFI)
STANDARD TRANSMISSION
 RPO MM5 5-Speed Manual
STANDARD REAR AXLE RATIO 3.42

STANDARD EQUIPMENT SUMMARY

EXTERIOR

Air Dam: Black
 Brakes: 4-Wheel anti-lock
 Bumper: Front and rear chromed bumpers with black rub strip and rear step pad
 Grille: Molded plastic grille and front lamp bezels painted light and dark argent
 Headlamps: Single rectangular halogen
 Mirrors: Black RH and LH below-eye-line 9.0" x 6.5"
 Moldings: Body side and rear black moldings with black wheel opening moldings
 Tow Hooks: Two front
 Wheels: Five 16" x 6.5" painted argent wheel trim. Black hub ornament

INTERIOR

Armrest: RH and LH padded
 Cigarette lighter and ashtray light
 Cupholders: Underdash
 Dome Lamp: Two dome lamps with LH and RH door actuated switch
 Electric rear lift glass release
 Floor Covering: Embossed full two piece black molded vinyl mat
 Gages: Including speedometer, odometer, fuel level, voltmeter, oil pressure, engine temperature and trip odometer
 Glass: Tinted, Solar-Ray, all windows
 Headlamp warning buzzer
 Headliner: Full length color-keyed cloth with matching retainer moldings. Also RF, LR, RR assist handles
 Heater: Heavy duty heater and defogger
 Jack: Mechanical jack and wheel wrench
 Mirror: 10" rearview mirror
 Radio: Electronically tuned AM radio with fixed mast antenna
 Rear Quarter Trim Panels: Black fabric
 Seats: Vinyl bucket front seats with sliding passenger for easy entry and three passenger folding rear bench seat
 Spare Tire/Wheel: Full size spare tire and wheel mounted on LH rear panel inside vehicle behind left rear wheelhouse
 Sunshades: Padded cloth, color-keyed RH and LH sunshades
 Steering Wheel: 4-spoke steering wheel
 Windshield Wipers: Intermittent

OPTIONAL UPLEVEL DECOR SILVERADO DECOR LEVEL (RPO YE9)

The following equipment is in addition to or replacing items included in the Standard decor

EXTERIOR

Bumper: Front and rear chromed bumpers with bumper guards and black rub strips (front rub strip has bright trim)
Grille: Deluxe front appearance package with dark argent chrome grille and bright trim
Headlamps: Dual composite halogen
Mirrors: Chrome RH and LH below-eye-line 9.0" x 6.5"
Moldings: Body side and rear black moldings with bright trim and bright wheel opening moldings
Nameplate: Silverado
Wheels: Rally trim

INTERIOR

Dome Lamp: Two with door actuated switches
Door Trim: Special color-keyed door trim panels with padded armrests, map pockets and carpet trim
Floor Covering: Color-keyed front compartment carpeting. Removable, color-keyed vinyl front and rear floor mats
Floor Console: Color-keyed molded plastic console with storage and beverage pockets with bucket seats
Lighting, Auxiliary: Front and rear map lights, glove box light and a retractable underhood service lamp
Radio: Electronically tuned AM/FM Stereo radio w/seek-scan and digital clock
Rear Quarter Trim Panels: Color-keyed, carpeted with cupholder, storage space and ashtrays
Scotchgard™ Fabric Protector on cloth trim and door
Seats: 40/60 Custom cloth split bench front seat
Spare Tire/Wheel Cover: Color-keyed, carpeted cover
Sunshades: Padded, color-keyed RH and LH sunshades with extenders and illuminated mirrors. LH sunshade has storage strap
Steering Wheel: 4-spoke steering wheel with simulated stitched leather appearance

STANDARD EQUIPMENT SUMMARY SPORT PACKAGE (RPO BYP)

EXTERIOR

Air Dam: Black
Brakes: 4- wheel anti-lock
Bumpers: Front bumper with rubber strip. Rear bumper with rubber strip and step pad. Gunmetal Gray
Decals: Sport identification
Grille: Uplevel Gunmetal Gray
Headlamps: Composite halogen headlamps
Mirrors: Black RH and LH below-eye-line 9.0" x 6.5"
Paint: Two-tone
Tow Hooks: Two front
Wheel Opening Flares: Gunmetal Gray
Windshield Wipers: Intermittent

INTERIOR

Cigarette lighter and ashtray light
Console: Floor and roof with bucket seats
Decor: Silverado
Dome Lamp: Two with door actuated switches
Door Trim: Special color-keyed door trim panels with padded armrests, map pockets and carpet trim
Floor Covering: Color-keyed front compartment carpeting. Removable, color-keyed vinyl front and rear floor mats
Gages: Including speedometer, odometer, fuel level, voltmeter, oil pressure, engine temperature and trip odometer
Glass: Tinted, Solar-Ray, all windows
Headlamp warning buzzer
Headliner: Full length color-keyed cloth with matching retainer moldings and three assist handles (RF, LR, RR)
Heater: Heavy duty heater and defogger
Horn: Dual note
Jack: Tools include mechanical jack and wheel wrench
Lift Glass Release, Electric
Lighting, Auxiliary: Front and rear map lights, glove box light and a retractable underhood service lamp
Rear Quarter Trim Panels: Color-keyed, carpeted with cupholder, storage space and ashtrays
Scotchgard™ Fabric Protector on cloth trim and door panels
Seats: 40/60 Custom cloth split front bench seat and 3 passenger folding rear bench seat
Spare Tire/Wheel Cover: Color-keyed, carpeted cover
Sunshades: Padded cloth, color-keyed RH and LH sunshades with extenders and illuminated mirrors. LH sunshade has storage strap
Steering Wheel: 4-spoke steering wheel with simulated stitched leather appearance

MODEL AND BODY

	Description	Model No.	Body
	4-Wheel Drive Model		
20600.00	Blazer	CK10516	ZW9

EMISSIONS (Must Order One)

- NA5 Standard Emission Equipment
- NA6 High Altitude Emission Requirements
- YF5 California Emission Requirements

POWER TEAMS (Must Order Engine, Transmission and Rear Axle)

(Consult GVWR Selector For Minimum Equipment Required)
W/NA5 STANDARD, NA6 HIGH ALTITUDE EMISSION, or YF5 CALIFORNIA EMISSION EQUIPMENT

ENGINE	TRANSMISSION		AXLES		GVWR
	5-SP	AUTO	3.42	3.73	
L05 V8 5.7 Liter (350 Cu In) EFI	MMS	MX0	GQ1	GT4(a)	6250

(a) W/MX0 Reqs V02 Cooling & KC4 Eng Oil Cooler

GVWR SELECTOR

GVW Rating (lbs)	Minimum Equipment Required For GVW Rating		
	(a) GAWR (lbs)		None
	Front	Rear	
6250	3600	3750	None

(a) GAWR's shown are the maximum for each axle with equipment listed. Other GAWR's are available and they are determined as the minimum capacity of either axle, springs or tires.

CAPACITIES

SPRINGS:			AXLES:		
Front			Front		
	3600	Base		3925	Base
Rear			Rear		
	3750	Base		3750	Base

CUSTOM ORDERING OPTIONS

PLEASE REVIEW OPTION RESTRICTIONS BEFORE ORDERING

	INCL w/PEG	OPTION	
	2,3,4	C60	AIR CONDITIONING w/PEG K5A2, K5A3 or K5A4 w/PEG K5A1
N.C. 845.00 191.00		V22	APPEARANCE PACKAGE: Incis Chrome Grille, Composite Halogen Headlamps and Dual Horns (Incl w/Silverado Decor)
			AXLES, REAR: (Refer Power Teams Chart for Availability)
N.C. 44.00		GQ1	Base
252.00		---	Optional
N.C. 126.00	1,2,3,4	G80	Locking Differential
400.00		ZW9	BODY CODE: Standard
33.00		V54	CARRIER: Luggage Carrier, Roof, Painted Black
		Z71	CHASSIS EQUIPMENT: Off-Road Package (Reqs Q1X or Q1Y Tires) (Incls NZZ Skid Plate Pkg)
		V10	COLD CLIMATE PACKAGE: (Incls Eng Block Heater)
			CONVENIENCE GROUP:
N.C. 367.00	3,4	ZQ2	Power Door Locks and Front Door Power Windows (Reqs Silverado Decor) w/PEG K5A3 or K5A4 w/PEG K5A2
	2,3,4	ZQ3	Comfortilt Steering Wheel and Electronic Speed Control w/PEG K5A2, K5A3 or K5A4 w/PEG K5A1
N.C. 383.00			COOLING SYSTEM:
		KC4	Engine Oil (w/MX0 Trans Reqs V02 Cooling) (Incl w/Z82 Trailing) w/Z82 w/o Z82
N.C. 135.00		V02	Heavy Duty Radiator and Transmission Oil Cooler (Reqs MX0 Trans) (Incl w/Z82 Trailing) w/Z82 w/o Z82
			DECOR: (Refer Color/Trim Charts for Availability; Standard Features Page for Package Content)
N.C. N.C.	1 2,3,4	---	Cheyenne (N/A w/PEG K5A2, K5A3 or K5A4)
		YE9	Silverado (N/A w/PEG K5A1)
			EMISSIONS:
N.C. N.C. 100.00		NA5	Federal Emission Equipment
		NA6	High Altitude Requirements
		YF5	California Emission Requirements
			ENGINE: (Refer Power Teams Chart)
N.C. 215.00		L05	V8 5.7 Liter (350 Cu In) EFI
N.C.		AJ1	GLASS: Deep Tinted
		VK3	LICENSE PLATE BRACKET: Front
			MIRROR, EXTERIOR:
	3,4	D48	Dual Electric Remote Control, Below-Eye-Line, Painted (Reqs ZQ2 Conv Group and Silverado Decor) w/PEG K5A3 or K5A4 w/PEG K5A2
N.C. 53.00		DF2	Camper Type Stainless Steel (Reqs PEG K5A1 or K5A2) w/PEG K5A2 w/PEG K5A1
8.00 53.00		B71	MOLDING: Wheel Flares (Refer Color/Trim Charts For Availability) (Reqs LT245 or LT265 Tires) (Incl w/ BYP Sport Pkg) w/PEG K5A4 w/PEG K5A1, K5A2 or K5A3
N.C. 180.00			PAINT, EXTERIOR: (Refer Color/Trim Charts for Availability)
		ZY1	Solid (N/A BYP Sport Pkg)
		ZY2	Conventional Two-Tone w/PEG K5A4 w/PEG K5A1, K5A2 or K5A3
N.C. 180.00 290.00		ZY4	Deluxe Two-Tone (N/A BYP Sport Pkg)
N.C.		R8T	PRICED ORDER ACKNOWLEDGEMENT
			RADIO EQUIPMENT: (Incls Fixed Mast Antenna) (Electronically Tuned AM Radio Std)
		UM7	Electronically Tuned AM/FM Stereo Radio w/Seek-Scan and Digital Clock (Incl Silverado Decor) w/PEG K5A2 w/PEG K5A1
N.C. 170.00	3	UM6	Electronically Tuned AM/FM Stereo Radio w/Seek-Scan, Stereo Cassette Tape and Digital Clock w/PEG K5A3 w/PEG K5A2 w/PEG K5A1
N.C. 122.00 292.00			RADIO EQUIPMENT: (Incls Fixed Mast Antenna) (Electronically Tuned AM Radio Std)
	4	UX1	Electronically Tuned AM Stereo/FM Stereo Radio w/Seek-Scan, Stereo Cassette Tape w/Search and Repeat, Graphic Equalizer and Digital Clock w/PEG K5A4 w/PEG K5A3 w/PEG K5A2 w/PEG K5A1
N.C. 150.00 272.00 442.00 (-117.00)		UL5	Radio Delete (Avail w/PEG K5A1 Only)

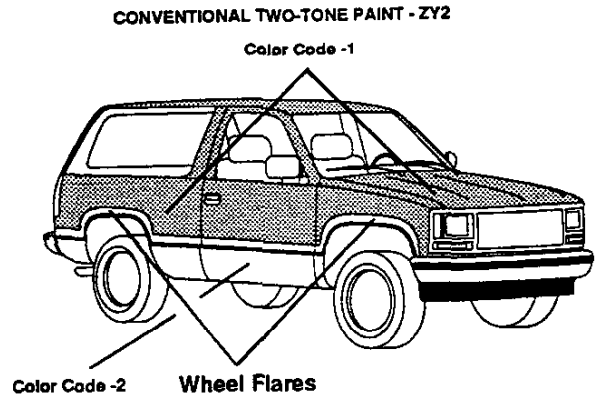
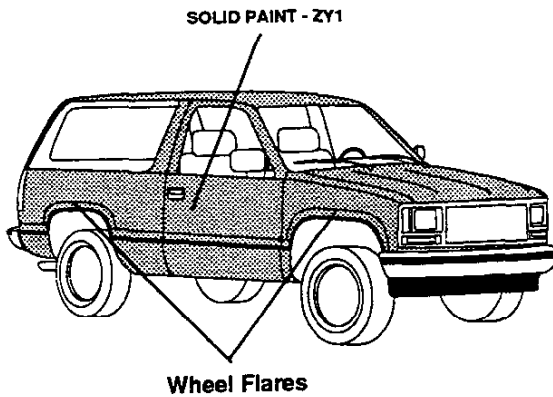
CUSTOM ORDERING OPTIONS

PLEASE REVIEW OPTION RESTRICTIONS BEFORE ORDERING

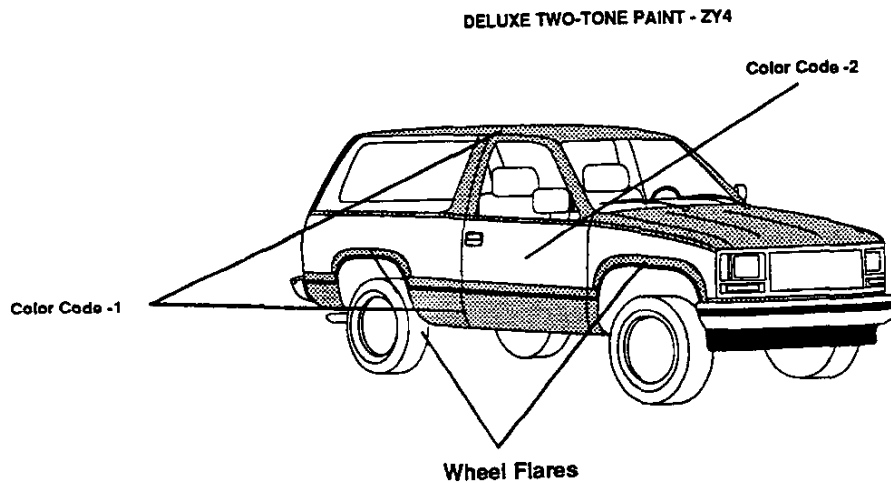
Incl w/PEG	OPTION	
		REAR WINDOW EQUIPMENT:
154.00	ZP6	Wiper/Washer System with Defogger (Incl C25 Wiper Washer System; also includes Rear Window Defogger) w/PEG K5A3 or K5A4 w/PEG K5A1 or K5A2
279.00	3.4 C25	Wiper/Washer System without Defogger (Incl w/ZP6) w/PEG K5A3 or K5A4 w/PEG K5A1 or K5A2
N.C.	AG9	SEAT: Power Driver's Seat (Reqs Split Bench or Bucket Seat)
125.00	V**4	SEAT TRIM (Refer Trim Chart for Availability) Vinyl Reclining Low Back Bucket Seats
240.00	L**3	Custom Cloth Reclining Split Bench Seat
N.C.	L**6	Custom Cloth Reclining High Back Bucket Seats
341.00	NZZ	SKID PLATE PACKAGE: (Incl w/Z71 Chass Equip Pkg) w/Z71 w/o Z71
N.C.	4 BYP	SPORT PACKAGE: (Refer Standard Features Page 2 for Package Content) (Reqs PEG K5A4 and ZY2 Paint)
225.00	F60	SPRINGS: Front, Heavy-Duty
63.00	U16	TACHOMETER
59.00		TIRES: Tubeless (BW - Blackwall; WOL - White Outlined Letters) (Front, Rear and Spare) LT225/75R16-C All Seasons Steel Belted Radial Ply BW (Reqs Cheyenne Decor)
N.C.	2.3.4 QJV	LT245/75R16-C All Seasons Steel Belted Radial Ply BW w/PEG K5A2, K5A3 or K5A4
N.C.	QIT	w/PEG K5A1
142.75	QBN	LT245/75R16-C On-Off Road Steel Belted Radial Ply BW w/PEG K5A2, K5A3 or K5A4
58.35	QBX	LT245/75R16-C On-Off Road Steel Belted Radial Ply WOL (N/A BYP Sport Pkg) w/PEG K5A2 or K5A3
201.10	QIX	w/PEG K5A1
183.35	QIY	LT265/75R16-C On-Off Road Steel Belted Radial Ply BW w/PEG K5A2, K5A3 or K5A4
326.10	QIY	w/PEG K5A1
192.25	ZB2	LT265/75R16-C On-Off Road Steel Belted Radial Ply WOL (N/A BYP Sport Pkg) w/PEG K5A2 or K5A3
335.00		w/PEG K5A1
317.25		TRAILERING SPECIAL EQUIPMENT: Heavy-Duty (Reqs MX0 Trans) (Incl Trailer Hitch Platform and Hitch, Wiring Harness, V02 Heavy-Duty Radiator and Trans Oil Cooler and KC4 Eng Oil Cooler)
460.00		TRANSMISSIONS: (Refer Power Teams Chart)
408.00	MM5	5-Speed Manual
N.C.	MX0	4-Speed Electronically Controlled Automatic w/Overdrive
890.00	P06	WHEEL TRIM: Rally (N/A PF4 Wheels or PEGS K5A3 or K5A4) (Incl w/Silverado Decor w/o BYP Sport Package) w/PEG K5A2 w/PEG K5A1
N.C.	3.4 PF4	WHEELS: (Spare is Base Wheel) Aluminum Cast w/PEG K5A3 or K5A4 w/PEG K5A2 w/PEG K5A1
60.00		
N.C.		
250.00		
310.00		

K BLAZER

PAINT APPLICATIONS WITH ZY1 AND ZY2 PAINT W/O BYP SPORT PACKAGE



PAINT APPLICATIONS WITH ZY4 PAINT W/O BYP SPORT PACKAGE



K BLAZER INTERIOR AND EXTERIOR COLOR AVAILABILITY CHART WITH ZY1 AND ZY2 PAINT W/O BYP SPORT PACKAGE

PLEASE NOTE: Below are the interior trim color and exterior paint combinations recommended by Chevrolet. They are the only available interior and exterior combinations allowed.

TRIM LEVEL		Decor	INTERIOR COLORS			
Seat Type			Beige	Blue	Garnet	Gray
CHEYENNE Vinyl Reclining Low Back Bucket Seats		Std	VUU4	VDD4	VRR4	VOQ4
SILVERADO Cust. Cloth Reclining Split Bench Seat		YE9	LUU3	LDD3	LRR3	LQQ3
Custom Cloth Reclining High Back Bucket Seats (Incls Roof/Floor Console)			LUU6	LDD6	LRR6	LQQ6

EXTERIOR COLORS w/ZY1 & ZY2 Paint	Color Code 1	Color Code 2	INTERIOR & EXTERIOR COMBINATIONS SHOWN ARE THE ONLY COMBINATIONS AVAILABLE			
BEIGE, SAND (Metallic)	57	57	x			
Black, Onyx	57	41	x			
BLACK, ONYX	41	41	x		x	x
Beige, Sand (Metallic)	41	57	x			
Quicksilver (Metallic)	41	96			x	x
* Red, Victory	41	74			x	x
* Slate (Metallic)	41	97				x
BLUE, INDIGO (Metallic)	39	39	x	x		x
Beige, Sand (Metallic)	39	57	x	x		
* Blue, Smoke (Metallic)	39	27		x		x
Quicksilver (Metallic)	39	96		x		x
BLUE, SMOKE (Metallic)	27	27		x		x
* Blue, Indigo (Metallic)	27	39		x		x
Quicksilver (Metallic)	27	96		x		x
BLUE, TEAL (Metallic)	36	36	x			x
Beige, Sand (Metallic)	36	57	x			
Quicksilver (Metallic)	36	96				x
QUICKSILVER (Metallic)	96	96		x	x	x
Black, Onyx	96	41			x	x
* Blue, Indigo, Blue (Metallic)	96	39		x		x
* Blue, Smoke (Metallic)	96	27		x		x
* Blue, Teal (Metallic)	96	36				x
Red, Burnt (Metallic)	96	76			x	x
* Red, Victory	96	74			x	x
* Slate (Metallic)	96	97			x	x
RED, BURNT (Metallic)	76	76	x		x	x
Beige, Sand (Metallic)	76	57	x		x	
Quicksilver (Metallic)	76	96			x	x
RED, VICTORY	74	74	x		x	x
Black, Onyx	74	41			x	x
Quicksilver (Metallic)	74	96			x	x
* Slate (Metallic)	74	97			x	x
SLATE (Metallic)	97	97			x	x
Quicksilver	97	96			x	x
* Red, Victory	97	74			x	x
WHITE, SUMMIT	50	50	x	x	x	x
* Slate (Metallic)	50	97				x

*N/A B71 Molding.

K BLAZER INTERIOR AND EXTERIOR COLOR AVAILABILITY CHART ZY4 PAINT N/A BYP SPORT PACKAGE

PLEASE NOTE: Below are the interior trim color and exterior paint combinations recommended by Chevrolet. They are the only available interior and exterior combinations allowed.

TRIM LEVEL Seat Type	Decor	INTERIOR COLORS			
		Beige	Blue	Garnet	Gray
CHEYENNE Vinyl Reclining Bucket Seats	Std	VUU4	VDD4	VRR4	VQQ4
SILVERADO Custom Cloth Reclining Split Bench Seat	YE9	LUU3	LDD3	LRR3	LQQ3
Custom Cloth Reclining High Back Bucket Seats (Incls Roof/Floor Console)		LUU6	LDD6	LRR6	LQQ6

EXTERIOR COLORS w/ZY4 PAINT	Color Code 1	Color Code 2	INTERIOR & EXTERIOR COMBINATIONS SHOWN ARE THE ONLY COMBINATIONS AVAILABLE				STRIPE COLORS
BEIGE,SAND(Metallic)/Black, Onyx	57	41	x				Gold/Black
BEIGE,SAND(Metallic)/Blue,Indigo	57	39	x				Gold/Black
BEIGE,SAND(Metallic)/Blue,Teal(Metallic)	57	36	x				Gold/Black
BEIGE,SAND(Metallic)/Red Burnt	57	76	x				Gold/Black
BLACK,ONYX/Beige, Sand (Metallic)	41	57	x				Gold/Black
BLACK,ONYX/Quicksilver (Metallic)	41	96			x	x	Gunmetal/Silver
BLACK ONYX/Red, Victory	41	74			x	x	Silver/Red
* BLUE,INDIGO(Metallic)/Beige, Sand (Metallic)	39	57	x	x			Gold/Black
* BLUE,INDIGO(Metallic)/Blue Smoke(Metallic)	39	27		x		x	Blue/Silver
* BLUE,INDIGO(Metallic)/Quicksilver (Metallic)	39	96		x		x	Blue/Silver
* BLUE,SMOKE/Blue,Indigo(Metallic)	27	39		x		x	Blue/Silver
* BLUE,SMOKE(Metallic)/Quicksilver(Metallic)	27	96		x		x	Blue/Silver
* BLUE,TEAL(Metallic)/Beige,Sand (Metallic)	36	57	x				Gold/Black
* BLUE,TEAL(Metallic)/Quicksilver (Metallic)	36	96				x	Teal/Silver
QUICKSILVER(Metallic)/Black, Onyx	96	41			x	x	Gunmetal/Silver
QUICKSILVER(Metallic)/Blue,Indigo(Metallic)	96	39		x		x	Blue/Silver
QUICKSILVER(Metallic)/Blue,Smoke(Metallic)	96	27		x		x	Blue/Silver
QUICKSILVER(Metallic)/Blue,Teal(Metallic)	96	36				x	Teal/Silver
QUICKSILVER(Metallic)/Red, Burnt (Metallic)	96	76			x	x	Gunmetal/Silver
QUICKSILVER(METALLIC)/Red, Victory	96	74			x	x	Black/Silver
QUICKSILVER(Metallic)/Slate (Metallic)	96	97			x	x	Red/Silver
RED,BURNT(Metallic)/Beige, Sand (Metallic)	76	57	x		x		Gold/Black
RED,BURNT(Metallic)/Quicksilver (Metallic)	76	96			x	x	Gunmetal/Silver
* RED,VICTORY/Black, Onyx	74	41			x	x	Silver/Red
* RED,VICTORY/Quicksilver (Metallic)	74	96			x	x	Black/Silver
* RED,VICTORY/White,Summit	74	50			x	x	Black/Silver
* SLATE(Metallic)/Quicksilver	97	96			x	x	Red/Silver
* SLATE(Metallic)/Red, Victory	97	74			x	x	Silver/Red
* WHITE,SUMMIT/Blue,Indigo(Metallic)	50	39		x			Blue/Silver
* WHITE,SUMMIT/Red,Victory	50	74			x		Black/Silver
* WHITE,SUMMIT/Slate (Metallic)	50	97				x	Silver/Red

*N/A B71 Wheel Flare Molding.

NOTE: W/B71, Wheel Flare Color Matches Color Code 1 Where Applicable.

REVISED: 1-22-93

1993 ORDER GUIDE

K BLAZER
Page 9

Prices Shown Are Manufacturer's Suggested Retail Prices (MSRP) At The Time Of Publication. These Prices Are To Be Used Only As An Aid To Inventory Management Since MSRP Figures Change Periodically. The Vehicle Price Schedule Is The Official Pricing Documentation Of Chevrolet Motor Division And Should Be Used In Discussing Vehicle Prices With Potential Buyers. The Model Prices Shown In The Order Guide Include The Destination Freight Charges.

BYP SPORT BLAZER

INTERIOR AND EXTERIOR COLOR AVAILABILITY CHART

ZY2 TWO-TONE PAINT WITH BYP SPORT EQUIPMENT PACKAGE

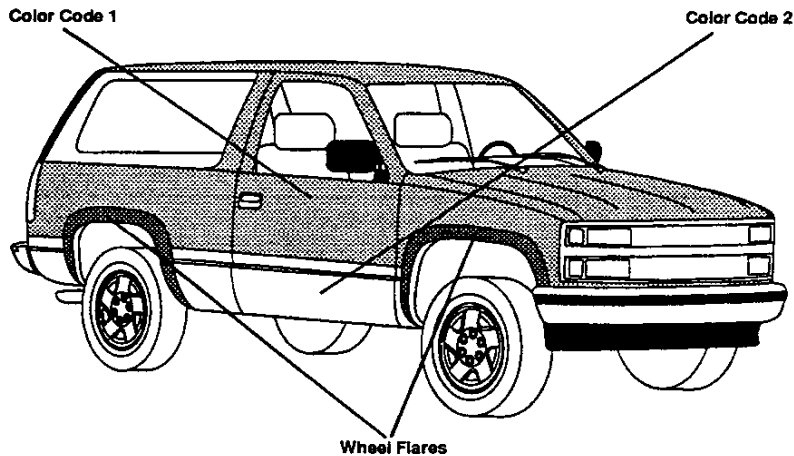
PLEASE NOTE: Below are the interior trim color and exterior paint combinations recommended by Chevrolet. They are the only available interior and exterior combinations allowed.

TRIM LEVEL		Decor	INTERIOR COLORS			
Seat Type			Beige	Blue	Garnet	Gray
SILVERADO		YE9				
Custom Cloth Reclining Split Bench Seat			LUU3	LDD3	LRR3	LQQ3
Custom Cloth Reclining High Back Bucket Seats (Incls Roof/Floor Console)			LUU6	LDD6	LRR6	LQQ6

EXTERIOR COLORS	Color Code 1	Color Code 2	INTERIOR & EXTERIOR COMBINATIONS SHOWN ARE THE ONLY COMBINATIONS AVAILABLE			
BEIGE, SAND (Met)/Gunmetal Gray	57	91	x			
BLACK, ONYX/Gunmetal Gray	41	91	x		x	x
QUICKSILVER/Gunmetal Gray	96	91		x	x	x
RED, BURNT (Met)/Gunmetal Gray	76	91			x	x
RED, VICTORY/Gunmetal Gray	74	91			x	x
WHITE, SUMMIT/Gunmetal Gray	50	91	x	x	x	x

NOTE: W/B71, Wheel Flare Color Matches Color Code 2.

CONVENTIONAL TWO-TONE PAINT - ZY2



SPECIAL EQUIPMENT OPTIONS

The following special equipment is installed at the assembly plant. See your 1993 SEO catalog for specific availability and restrictions.

SPECIAL EQUIPMENT OPTIONS		
	LEAD TIME (DAYS)	OPTION CODE
Deluxe Trim -- Convenience Package: Provide Select up Level Interior Trim and Tire Cover on Base Trim Level Truck.	0	5V6
Paints: Solid.		
Orange, Tangier WE9417	0	9W4
Yellow, Wheatland WE9418	0	9W3
Green, Woodland WE9015	0	9V5
Tan, Doeskin WE9403	0	9V9
Trim Override: Cloth.	0	9X5

DIMENSIONS

MODEL	BLAZER
MODEL NUMBER	CK10516
EXTERIOR DIMENSIONS	
BODY	
Wheelbase (in.)	111.5
Overall Length (in.)	187.6
Overall Height (in.)	70.4
Maximum Width (in.)	76.4
Bumper to Axle (in.)	
Front	34.9
Rear	41.2
Ground to Top of Rear Load Floor (in.)	27.8
Ground Clearance (in.)	
Front/Rear	6.9/7.1
Turning Diameter Curb-to-Curb (ft.)	41.5
SIGN PANEL AREA (in.)	17 x 48.75

INTERIOR DIMENSIONS	
Headroom (in.)	
Front/Rear	44.0/37.9
Legroom (in.)	
Front/Rear	41.7/37.4
Shoulder Room (in.)	
Front/Rear	66.0/63.4
Hip Room (in.)	
Front/Rear	60.5/60.5
Cargo Volume (cu. ft.)	
w/ Rear Seat	51.8
w/ Rear Seat Down	103.5
Load Floor Length (in.)	
w/ Rear Seat	38.9
w/ Rear Seat Down	73.6
Interior Width at Wheelhousing (in.)	48.3
Cargo Area Height (in.)	39.9

BLAZER

INTERIOR EQUIPMENT (CONT.)		CHEYENNE STD., ZW9	SILVERADO YE9
KEY: ■ = STANDARD, — = NOT INCLUDED			
RELEASE, ELECTRIC LIFT GLASS		■	■
SEAT, FRONT	Two vinyl reclining low-back buckets with head restraints. 3-passenger cloth 40/60 reclining front bench with Scotchgard™.	■	—
SEAT, REAR	3-passenger folding rear bench.	■	■
SPARE TIRE CARRIER	Located inside on LH rear panel.	■	■
SPARE TIRE/WHEEL	Full size, match other wheels and tires standard or optional.	■	■
STEERING WHEEL	Custom urethane 4-spoke. 4-spoke with simulated stitched leather appearance.	■	—
SUNSHADES	Color-keyed vinyl RH and LH padded. Color-keyed RH and LH padded with cloth covering storage strap on LH unit and illuminated visor mirrors.	■	—
WINDSHIELD WIPERS	Intermittent.	■	■

PREFERRED EQUIPMENT GROUPS

Preferred Equipment Groups (PEGs) are convenient option packages that can save your customers money. They would pay appreciably more by buying all the options in a Preferred Equipment Group as individual options. (Savings based on a comparison of Manufacturer's Suggested Retail Price of option packages versus MSRP of individual options purchased separately). See your 1993 Chevrolet Truck Order Guide and Vehicle Price Schedule for specific information and prices.

OPTIONS

These options can be ordered individually in addition to the Preferred Equipment Groups if not already included. See your 1993 Chevrolet Truck Order Guide for specific availability and restrictions. The Option Code is listed in **bold**.

Air Conditioning	C60	High Altitude	NA6	Skid Plate Package (includes shield plates for engine, front differential, transfer case and fuel tank)	NZZ
Appearance Package (included with Silverado Decor and BYP Sport Appearance Package)	V22	California	YF5	Sport Appearance Package (includes Conventional Two-Tone paint and Wheel Flare Moldings)	BYP
Axles, Rear (see Order Guide for GQ1):		Engine:		Springs (Torsion Bars), Front Heavy-Duty ...	F60
3.42	GU6	5.7L V8	L05	Tachometer, Engine (mounted in instrument cluster)	U16
3.73	GT4	Glass, Deep Tinted Rear	AJ1	Trailering Package, Heavy-Duty (includes hitch platform, Heavy-Duty Radiator, Engine Oil Cooler, Transmission Oil Cooler, HD Flasher and seven-wire harness)	Z82
Axle, Rear Locking Differential	G80	License Plate Bracket	VK3	Transmissions:	
Chassis Equipment Off-Road Package (includes front and rear 46mm high-pressure gas shocks and NZZ Shield Package)	Z71	Luggage Rack, Roof	V54	5-speed Manual	
Cold Climate Package (includes Engine Block Heater, anti-freeze protection to -32° F and special insulation)	V10	Mirrors, Exterior Electric Below-Eye-Line. Black (Mirror head: 6.5" x 9")	D48	with Overdrive	MM5 (MG5)
Cooling: Engine Oil Cooler	KC4	Mirrors, Camper Type (LH and RH stainless steel)	DF2	Electronic 4-speed Automatic w/OD and torque converter clutch	MX0 (M30)
Cooling: Heavy-Duty Radiator and Transmission Oil Cooler	V02	Moldings, Wheel Opening Flare (front and rear)	B71	Wheels, Rally Trim	P06
Convenience Package, Operating (includes Power Door Locks and Power Windows, Reqs. Silverado Trim)	ZQ2	Paint, Exterior:		Wheels, Cast Aluminum	PF4
Convenience Package, Driver's (includes Comfortilt™ Steering and Electronic Speed Control)	ZQ3	Solid	ZY1	Wiper, Rear Window (intermittent, includes washer)	C25
Emissions:		Conventional Two-Tone	ZY2	Wiper, Rear Window and Defogger, (intermittent wiper, includes washer)	ZP6
Federal	NA5	Deluxe Two-Tone	ZY4		
		Radio Delete	UL5		
		ETR AM/FM Stereo Radio w/Seek-Scan/Digital Clock	UM7		
		ETR AM/FM Stereo Radio w/Seek-Scan, Stereo Cassette/Digital Clock	UM6		
		ETR AM/FM Stereo Radio w/Seek-Scan/Cassette w/Search/Repeat, Graphic Equalizer/Digital Clock	UX1		
		Seat Adjuster, Power (driver's side only)	AG9		

TIRES

KEY: AS = ALL-SEASON SBR = STEEL-BELTED RADIAL PLY BW = BLACKWALL WW = WHITEWALL WL = WHITE LETTERED HWY = HIGHWAY BL = BLACK LETTERED ON-OFF = ON-OFF ROAD WOL = WHITE OUTLINE LETTERED				
		FRONT	REAR	SPARE
LT225/75R16C	AS/SBR/BL	QJV	QJV	QJV
LT245/75R16C	AS/SBR/BL	QIT	QIT	QIT
LT245/75R16C	ON-OFF/SBR/BW	QBN	QBN	QBN
LT245/75R16C	ON-OFF/SBR/WOL	QBX	QBX	QBX
LT265/75R16C	ON-OFF/SBR/BL	QIX	QIX	QIX
LT265/75R16C	ON-OFF/SBR/WOL	QIY	QIY	QIY

TRIM LEVELS

Chevrolet offers Blazer in two trim levels: Cheyenne and Silverado. The following chart details major standard features. See your 1993 Chevrolet Truck Order Guide for details.

CHASSIS EQUIPMENT		CHEYENNE STD., ZW9	SILVERADO YE9
KEY: ■ = STANDARD, — = NOT INCLUDED			
BRAKES	Power Assisted; front disc, rear drum four-wheel antilock.	■	■
EXHAUST	Single.	■	■
FRAME	All-welded ladder-type, channel design and boxed front-end section. Section Modulus: 4.29 cu. in.	■	■
FUEL TANK	30.0 Gallon (approx.) Capacity.	■	■
REAR AXLE	Hypoid Semi-floating.	■	■
SHOCK ABSORBERS	Front: 32mm. Rear 32mm.	■	■
STABILIZER BAR	1.18-inch.	■	■
STEERING	Integral Power.	■	■
SUSPENSION, FRONT	Independent w/torsion bars.	■	■
SUSPENSION, REAR	Semi-elliptic two-stage multi-leaf springs.	■	■
TOW HOOKS	Two front.	■	■

EXTERIOR EQUIPMENT		CHEYENNE STD., ZW9	SILVERADO YE9
AIR DAM	Black Front.	■	■
BUMPER, FRONT	Chromed with black rub strip. Chromed with bumper guards and black rub strip with bright trim.	■	—
BUMPER, REAR	Chromed with black rub strip and step pad.	■	■
GLASS	Solar-ray. Light tinted plus upper shade on windshield.	■	■
GRILLE	Light argent molded plastic w/dark argent air intake areas. Molded plastic with dark argent air intake areas with chrome trim.	■	—
HEADLAMPS	Single rectangular halogen. Composite halogen.	■	—
HORN	Dual low- and high-note.	■	■
INSULATION	Hood and cab-to-fender.	—	■
MIRRORS	RH and LH below-eye-line type painted black with adjustable heads. Head size 9.0" x 6.5" RH and LH below-eye-line type bright with adjustable heads. Head size 9.0" x 6.5"	■	—
MOLDINGS	Body side and wheel opening, black. Body side and wheel opening, bright.	■	—
TIRES	Five, LT225/75R16C all-season steel-belted radial blackwall.	■	■
WHEELS	Five, silver painted 16.0" x 6.5" steel wheels with black hub ornament. Five, silver painted 16.0" x 6.5" steel wheels with Rally Wheel trim.	■	—

INTERIOR EQUIPMENT		CHEYENNE STD., ZW9	SILVERADO YE9
ARMRESTS	RH and LH padded integral with door panels.	■	■
ASSIST HANDLES	RF, LR, RR.	■	■
BUZZER, HEADLAMP WARNING		■	■
CIGARETTE LIGHTER	Located on instrument panel inside ashtray bin. Includes ashtray light.	■	■
DOOR PANELS	Color-keyed grained molded plastic with padded armrests, map pockets and carpet trim Special cloth color-keyed door trim panels with padded armrests, map pockets and carpet trim.	■	—
DOOR PILLAR AND ROOF SIDE PANELS	Color-keyed.	■	■
DOOR SILL PLATE	Color-keyed.	■	■
FLOOR COVERING	Black embossed two-piece vinyl mat. Color-keyed carpet with removable color-keyed vinyl floor mats.	■	—
GAGES	Including speedometer, odometer, trip odometer, fuel level, voltmeter, engine temperature, oil pressure gages and additional telltale lights.	■	■
GLOVE BOX	Latched door and beverage holder.	■	■
HEADLINER	Color-keyed cloth and matching retainer moldings.	■	■
HEATER	Heavy duty and defogger.	■	■
INSULATION	Provided on dash panel, cowl top and sides, headliner and doors Additional insulation on headliner and side panel.	■	■
LIGHTING, INTERIOR	Front and rear dome lamps with switches in RH and LH door jambs. Front and rear map lamps with courtesy ashtray, glove box and under-hood lamps.	■	■
MIRRORS	10-inch rearview.	■	■
RADIO	ETR AM radio, with digital clock and two 4" x 6" standard front and two 4" x 6" rear speakers and fixed mast antenna. ETR AM/FM stereo w/seek-scan, digital clock and two 4" x 6" standard front, and two 4" x 6" rear speakers.	■	—
REAR QUARTER TRIM PANELS	Black Fabric. Color-keyed, carpeted with cupholder, storage space and ashtrays.	■	—

BLAZER

MODEL SELECTION SUMMARY

Use the chart below to choose the model that fits your customer's needs. Note that the Maximum Payload is based on curb weight. Also, the Maximum Gross Trailer Weight is based on vehicles that are properly equipped. See your 1993 Chevrolet Truck Order Guide for specific details.

SERIES	MODEL NUMBER/ BODY CODE/ OPTION CODE	PASSENGER CAPACITY (STD./OPT.)	STANDARD ENGINE/ TRANS.	OPTIONAL ENGINE/ TRANS.	GVWR (LBS.)	GAWR (LBS.) FRONT/ REAR	MAXIMUM PAYLOAD (LBS.) BASED ON CURB WT.	MAX. GROSS TRAILER WT./ TONGUE LOAD (LBS.) PROPERLY EQUIPPED
FOUR-WHEEL DRIVE MODELS								
K1500 BLAZER	CK10516/ZW9	5/6	5.7L V8/M5	5.7L V8/A4	6250	3600/3750	1517	7000/850

POWERTRAINS

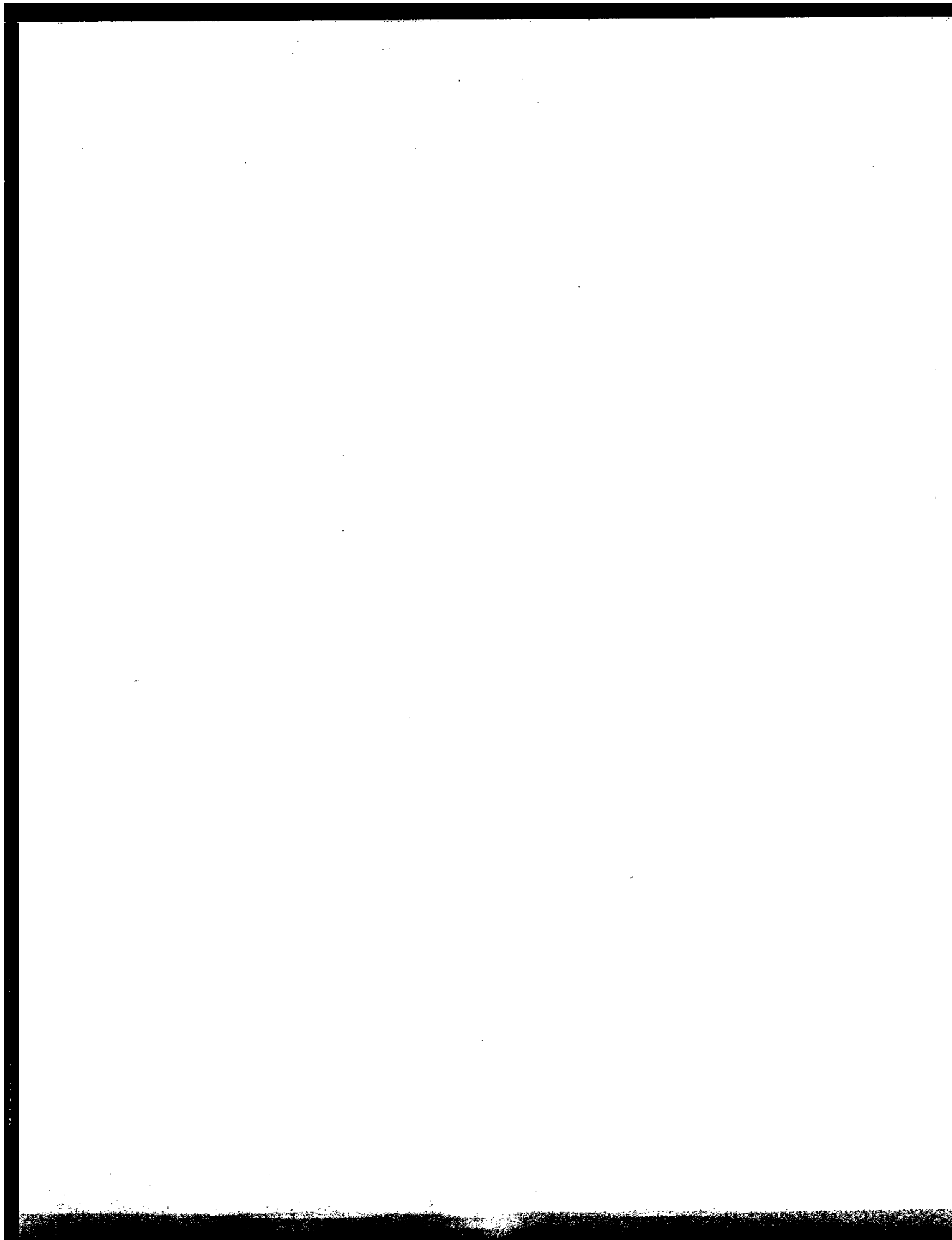
Chevrolet offers a variety of transmissions and axle ratios for the Blazer. The following charts detail basic engine, transmission and axle specifications. See your 1993 Chevrolet Truck Order Guide for specific details.

ENGINES	
5.7L V8	
Engine Order Code	L05
SAE Net Horsepower @ rpm	210 @ 4000
SAE Net Torque lbs-ft @ rpm	300 @ 2800
Fuel System	EFI
Clutch Size (in.)	12
Standard Battery Cold Cranking Amps @ 0° F	630
Standard Alternator Max. Cap. (Amps)	100

TRANSMISSIONS		
	MANUAL 5-SPEED WITH OVERDRIVE (5LM60) (MG5)	ELECTRONIC AUTOMATIC 4-SPEED WITH OVERDRIVE AND TORQUE CONVERTER CLUTCH (4L60-E) (M30)
Transmission Order Code	MM5	MX0
Engine Application (Order Code)	5.7L V8 (L05)	5.7L V8 (L05)
Synchronized Speeds	1/2/3/4/5	—
Gear Ratios		
First	4.02	3.06
Second	2.32	1.63
Third	1.40	1.00
Fourth	1.00	0.70
Fifth	0.73	—
Reverse	3.74	2.29
Power Take Off	No	No

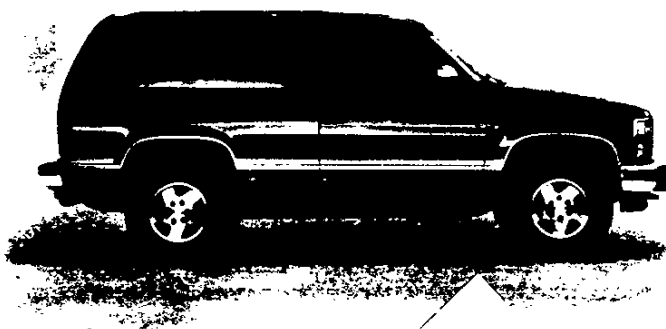
AXLES				
	REAR AXLE		FRONT AXLE	
Make	GM		GM	
Capacity (lbs.)	3750		3925	
Pinion and Ring Gear Type	Hypoid		Hypoid	
Engine Availability	5.7L V8 (L05)		5.7L V8 (L05)	
Axle Ratio Code	GU6	GT4	GU6	GT4
Ratio	3.42	3.73	3.42	3.73
Pinion Teeth	12	11	12	11
Ring Gear Teeth	41	41	41	41
Ring Gear Diameter (in.)	8.5	8.5	8.5	8.5

Note: Axle Ratio availability depends on model, powertrain and emissions selected. See your 1993 Chevrolet Truck Order Guide for details.



--	--

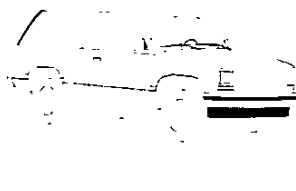
K BLAZER



U
13

	<u>Page</u>
MODELS	2
CHEYENNE TRIM	3
SILVERADO YE9 TRIM	4
POWERTRAINS	5
STANDARD SUSPENSION	8
WHEELS AND TIRES	9
FRAME/STEERING/BRAKES	10
ELECTRICAL	11
COOLING	12
DIMENSIONS	13
OPTIONS	14
COLOR COMBINATIONS	16
EXTERIOR COLORS	B
INTERIOR TRIM	C
SEATS	D
TRAILERING	E

FOUR-WHEEL DRIVE

K BLAZER 	MODEL NUMBER	WB (IN.)	GVWR LBS.	MAX ¹ PAYLOAD LBS	PASS. CAP.	STD ENGINE/ TRANS	OPT ENGINE/ TRANS
	CK10516/ ZW9	111.5	6250	1558	5/6	5.7L V8/M5	5.7L V8/A4

K BLAZER
The all new K Blazer offers the rugged versatility of four-wheel drive with a powerful gasoline engine.

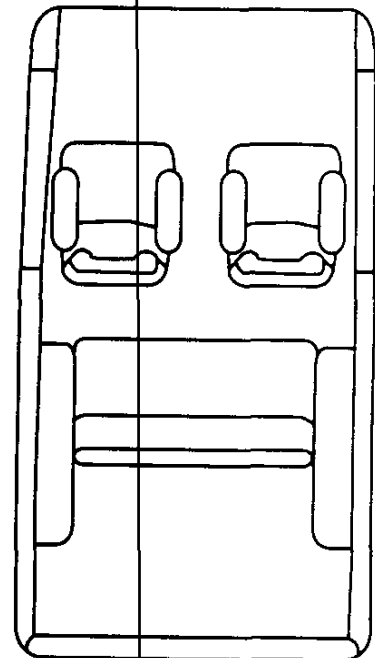
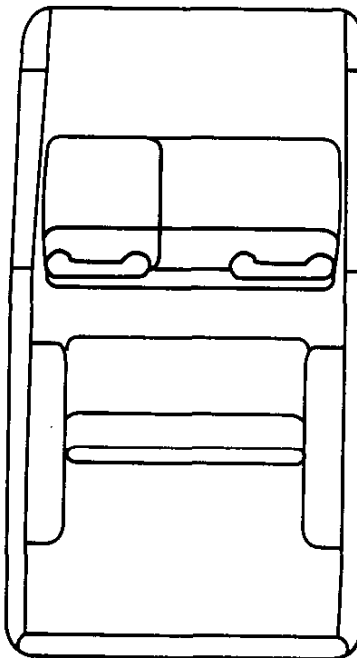
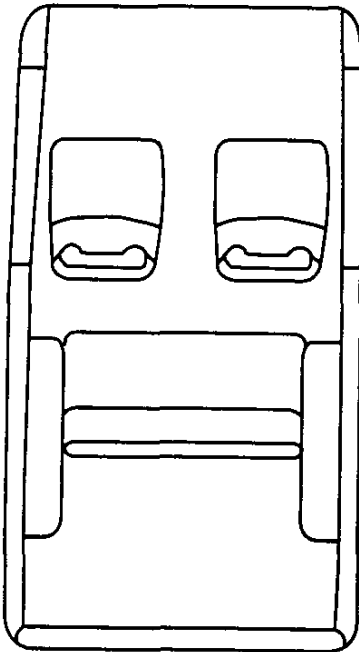
Based on Curb Weight.

K BLAZER SEATING

STANDARD (4): LOW-BACK VINYL BUCKET SEATS WITH HEAD RESTRAINTS AND EASY ENTRY FEATURE ON RH SIDE. MATCHING REAR BENCH SEAT**

YE9 — SILVERADO (3): 40/60 CLOTH BENCH SEAT WITH HEAD RESTRAINTS AND A EASY ENTRY FEATURE ON RH SIDE. MATCHING REAR BENCH SEAT**

OPTIONAL (6): RECLINING HIGH-BACK CLOTH BUCKET SEATS WITH HEAD RESTRAINTS, ARMRESTS AND EASY ENTRY FEATURE ON RH SIDE. MATCHING REAR BENCH SEAT (YE9 — SILVERADO ONLY)**



CHEYENNE

The Cheyenne trim level is the standard trim level of the K Blazer. It is designed to offer buyers a high level of standard features when purchasing a standard-level vehicle.

The following features are standard.

POWERTRAIN/CHASSIS

- ALTERNATOR: 100 Amp Delcotron.
- BATTERY: 12 volt, negative ground; 630 Cold Cranking Amps @ 0 degrees F.
- BRAKES: Power; vacuum. Front—disc. Rear—drum. Includes four-wheel anti-lock braking system.
- ENGINE: 5.7-liter V8 engine with EFI. 210 horsepower @ 4000 rpm and 300 lb. ft. of net torque @ 2800 rpm.
- EXHAUST: Aluminized single exhaust.
- FRAME: All-welded ladder-type with a channel design and boxed front-end section.
- FUEL TANK: 30-gallon (approx.) fuel capacity.
- REAR AXLE: Hypoid, Semi-Floating.
- SHOCK ABSORBERS: Front and rear—32 mm piston diameter.
- STABILIZER BAR: Front—1.18 inch diameter.
- STEERING: Variable ratio integral power. Ratio—On Center/At Lock—17.6:13.1:1.
- SUSPENSION: Front—Independent Torsion Bar. Rear—Semi-Elliptic 2-stage multi-leaf springs.
- TRANSFER CASE: Fully synchronized 2-speed with automatic-locking hubs.
- TRANSMISSION: Floor-mounted 5-speed manual w/overdrive.

EXTERIOR

- AIR DAM: Black front.
- BUMPER: Front chrome. Rear is painted black with black plastic step pad.
- COLORS: Choice of ten in a solid paint scheme. See Color and Trim Specifications for details.
- GRILLE: Molded plastic painted light argent w/dark argent air intake areas.
- HEADLAMPS: Single rectangular halogen.
- HORN: Dual high-note and low-note electric horn.
- MIRRORS: Black RH and LH below-eye-line type mirrors. Mirror head size is 6.5" x 9.0".
- MOLDINGS: Black body side and wheel opening.
- TAILGATE: Lift glass drop gate system with electric liftgate release.
- TIRES: Five (including spare) LT225/75R16C all-season blackwall steel belted radial tires.
- TOW HOOKS: Front
- WHEELS: Five (including spare) silver painted 16.0" x 6.5" steel wheels with black plastic hub ornament

INTERIOR

- ARMREST: RH and LH padded armrests integral with door panels.
- CIGARETTE LIGHTER: Located on instrument panel.
- COAT HOOKS: One RH and one LH located on "B" pillars.
- COLORS: Choice of Blue, Garnet, Beige or Gray.
- DOME LAMP: Two, front and rear, with door operated switches.
- DOOR PILLAR AND ROOF SIDE PANELS: Color-keyed.
- DOOR SILL PLATE: Color-keyed.
- DOOR TRIM PANELS: Color-keyed, molded plastic with soft vinyl trim.
- FLOOR COVERING: Consist of one embossed color-keyed vinyl mat in front and rear.
- GAGES: Include speedometer, odometer with trip odometer, fuel, voltmeter, oil pressure, engine temperature, and additional telltale lights.
- GLOVE BOX: Latched door with beverage wells on door back.
- HEADLAMP WARNING BUZZER.
- HEADLINER: Full length color-keyed cloth with matching retainer moldings.
- HEATER: Heavy-duty heater/defogger.
- INSULATION: Provided on dash panel, cowl top and sides, headliner and doors.
- MIRROR: 10-inch rearview mirror.
- POWER LIFTGATE RELEASE: Switch mounted on instrument panel.
- RADIO: Electronically tuned AM radio with two 4" x 6" front dash speakers, and two 4" x 6" cab back mounted speakers and fixed mast antenna. (Please refer to the Delco Electronics Brochure in RPO Detail for further information.)
- SEATS: Reclining low back front bucket seats with head restraints and Custom Vinyl trim. Passenger seat has a front sliding mechanism for easy rear entry. Matching vinyl rear seat.
- SPARE TIRE/WHEEL: Full size located on LH rear panel.
- SPARE TIRE CARRIER: Located on LH rear panel.
- STEERING WHEEL: 4 spoke custom urethane.
- SUNSHADES: Padded vinyl color keyed RH and LH sunshades
- TOOLS: Includes mechanical jack and wheel wrench located on LH rear panel
- WINDOWS: Tinted glass on all windows with shade band on upper part of windshield.
- WINDSHIELD WIPERS: Intermittent

SILVERADO

(YE9)

The Silverado trim level is an optional trim level for the K Blazer. It is designed to offer buyers an increased level of comfort and convenience features compared to the standard Cheyenne trim level.

The following features are standard. Bold type denotes equipment in addition to or replacing that of the Cheyenne trim level.



Some equipment shown may be optional or extra cost.

POWERTRAIN/CHASSIS

- ALTERNATOR: 100-Amp Delcotron.
- BATTERY: 12 volt, negative ground; 630 Cold Cranking Amps @ 0 degrees F.
- BRAKES: Power; vacuum. Front—disc. Rear—drum. Includes four-wheel anti-lock braking system.
- ENGINE: 5.7-liter V8 engine with EFI. 210 horsepower @ 4000 rpm and 300 lb. ft. of net torque @ 2800 rpm.
- EXHAUST: Aluminized single exhaust.
- FRAME: All-welded ladder-type with a channel design and boxed front-end section.
- FUEL TANK: 30-gallon (approx.) fuel capacity.
- REAR AXLE: Hypoid, Semi-Floating.
- SHOCK ABSORBERS: Front and Rear.—32 mm piston diameter.
- STABILIZER BAR: Front—1.18 inch diameter.
- STEERING: Variable ratio integral power. Ratio—On Center/At Lock—17.6/13.1:1.
- SUSPENSION: Front—Independent Torsion Bar. Rear—Semi-Elliptic 2-stage multi-leaf springs.
- TRANSFER CASE: Fully synchronized 2-speed with automatic-locking hubs.
- TRANSMISSION: Floor-mounted 5-speed manual w/overdrive.

EXTERIOR

- AIR DAM: Black front.
- BUMPER: Front chrome with **black and chrome rubstrips and black bumper guards**. Rear **chrome** with black plastic step pads and **black rubstrip**.
- COLORS: Choice of ten in a solid paint scheme. See Color and Trim Specifications for details.
- GRILLE: **Deluxe appearance consisting of dark argent plastic with bright trim**.
- HEADLAMPS: **Composite dual** RH and LH halogen.
- HORN: Dual high-note and low-note electric horn.
- INSULATION: **Hood and cab-to-fender**.
- MIRRORS: **Bright** RH and LH below-eye-line type mirrors. Mirror-head size is 6.5" x 9.0".
- MOLDING: **Bright** body side and wheel opening.
- TAILGATE: Lift glass/drop gate system with electric liftgate release.
- TIRES: Five (including spare) LT225/75R16C all-season blackwall steel belted radial tires.
- WHEELS: Five (including spare) silver painted 16.0" x 6.5" steel wheels with **Rally Wheel trim**.

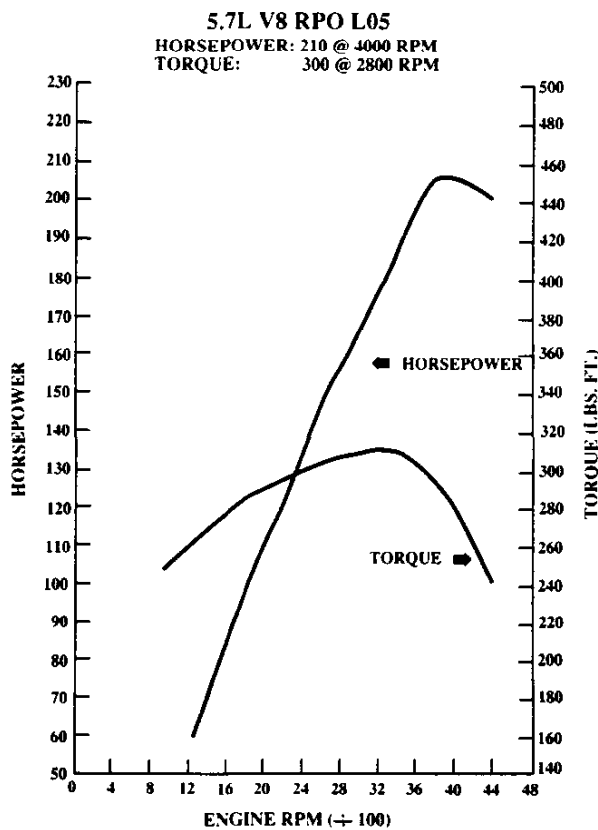
INTERIOR

- ARMREST: RH and LH padded armrests integral with door panels.
- ASSIST STRAPS: **RH front and LH/RH rear assist straps**.
- CIGARETTE LIGHTER: Located on instrument panel.
- COAT HOOKS: **Two**, RH and **two** LH located on "B" pillars and **forward of liftgate in cargo area**.
- COLORS: Choice of Blue, Garnet, Beige or Gray.
- DOME LAMP: Two, front and rear, with door operated switches **additional switch in rear lift glass**. Also includes **front and rear map lights**.
- DOOR SILL PLATE: Color-keyed.
- DOOR TRIM PANELS: Color-keyed **cloth upper/carpet lower including map pockets**.
- FLOOR COVERING: **Consists of color-keyed carpeting**.
- FLOOR MATS: **Removable, color-keyed front and rear**.
- GAGES: Include speedometer, odometer with trip odometer, fuel, voltmeter, oil pressure, engine temperature and additional telltale lights.
- GLOVE BOX: Latched door with beverage wells on door back.
- HEADLINER: Full length color-keyed cloth with matching retainer moldings.
- HEADLAMP WARNING BUZZER.
- HEATER: Heavy-duty heater/defogger.
- INSULATION: **Additional insulation provided on headliner and side panel**.
- MIRROR: 10-inch rearview mirror.
- POWER LIFTGATE RELEASE: Switch mounted on instrument panel.
- RADIO: Electronically tuned **AM/FM stereo radio w/seek-scan and digital clock** with two 4" x 6" front dash speakers and two 4" x 6" cab back mounted speakers and fixed mast antenna. (Please refer to the Delco Electronics Brochure in RPO Detail for further information).
- SEATS: **Reclining 40/60 split front cloth bench seat. Includes outboard head restraints and easy entry feature on RH side. Matching cloth rear seat with armrests**.
- SPARE TIRE/WHEEL: Full-size located on LH rear panel.
- SPARE TIRE CARRIER: **Includes carpet tire cover** located on LH rear panel.
- STEERING WHEEL: **4-spoke sport steering wheel with simulated stitched leather appearance**.
- SUNSHADES: Padded, **cloth** color-keyed RH and LH with **illuminated mirrors**.
- TOOLS: Include mechanical jack and wheel wrench with **gloves** located on LH rear panel.
- WINDOWS: Tinted glass on all windows with shade band on upper part of windshield.
- WINDSHIELD WIPERS: Intermittent.

KEY: S Standard O Optional
 — Not Offered

MODEL	ENGINE	TRANSMISSION		AXLES		GVWR
		(MMS) MANUAL 5-SPEED	(MX0) AUTOMATIC 4-SPEED	ECONOMY	POWER	
				3.42	3.73	
K BLAZER CK10516	5.7 V8 (L05)	S	—	S	O	6250
		—	O	S	O	

HORSEPOWER AND TORQUE RATINGS	
ENGINE	5.7L V8
RPO CODE	L05
SAE NET HORSEPOWER Horsepower @ RPM	210 @ 4000
SAE NET TORQUE Lb. Ft. @ RPM	300 @ 2800
FUEL SYSTEM	EFI
CLUTCH SIZE (in.)	12
STD. BATTERY Cold Cranking Amps @ 0°F	630



AXLES		FRONT	
MAKE AND CAPACITY (lbs.)		GM—Full-Floating 3925	
PINION & RING GEAR Type		Hypoid	
Ratio	3.42		3.73
Pinion Teeth	12		11
Ring Gear Teeth	41		41
Ring Gear Dia. (in.)	8.5		8.5
DIFFERENTIAL Type		2-Pinion Tapered Roller	
Bearings. Type			
AXLE SHAFTS Type		—	
Minimum Diameter (in.)		—	
HOUSING @ SPRING SEAT Section Diameter and Thickness (in.)		—	
LUBRICANT CAPACITY (pints)		4.5	

AXLES		REAR	
MAKE AND CAPACITY (lbs.)		GM 3750	
PINION & RING GEAR Type		Hypoid	
Ratio	3.42		3.73
Pinion Teeth	12		11
Ring Gear Teeth	41		41
Ring Gear Dia. (in.)	8.5		8.5
DIFFERENTIAL Type		2-Pinion Tapered Roller	
Bearings. Type			
AXLE SHAFTS Type		Semi-Floating Integral Shaft and Drive Flange	
Minimum Diameter (in.)			
HOUSING @ SPRING SEAT Section Diameter and Thickness (in.)		3.0 x .25	

TRANSMISSION	MANUAL	AUTOMATIC
MODEL	MANUAL 5-SPEED W/OVERDRIVE 5LM60	AUTOMATIC 4-SPEED w/OVERDRIVE HM4L60
RPO CODE	MM5	MX0
SYNCHRONIZED SPEEDS	1/2/3/4/5	—
GEAR RATIOS		
First	4.02	3.06
Second	2.32	1.63
Third	1.40	1.00
Fourth	1.00	0.70
Fifth	0.73	—
Reverse	3.74	2.29
GEAR TYPE		Planetary
Forward	Helical	
Reverse	Spur	
Center Distance (mm)	117	
TORQUE CONVERTER		Pump/Stator/Turbine Automatic
Element Types	—	
Lock-up Clutch	—	
POWER TAKE-OFF DATA		
Opening Type	—	—
Location	—	—
Drive Gear	—	—
PTO Gear RPM @ 1000 Engine RPM	—	—
PTO Pitch Line Velocity @ 1000 Engine RPM	—	—
LUBRICANT		
CAPACITY (pints)		
Oil	8	—
Dry Fill	—	19
Refill	—	10

TRANSFER CASE	
MODEL	NEW PROCESS 241
MODEL AVAILABILITY	K10516
RATIOS: Hi Range	1.00:1
Lo Range	2.72:1
LEVER POSITIONS	4-Lo (All-wheel Underdrive) N (Neutral) 2-Hi (Rear-wheel Drive) 4-Hi (All-wheel Drive)
LEVER LOCATION	Rear of Transmission at Center of Floor
POWER TAKE-OFF DATA	
Opening	—
Location	—
OIL CAPACITY (pints)	10

FOUR-WHEEL DRIVE		
MODEL	K BLAZER	
MODEL NUMBER	CK10516/ZW9	
STANDARD SUSPENSION		
PAYLOAD Max. (lbs.) ¹	1558	
GVWR (lbs.)	6250	
GAWR (lbs.): Front	3925	
Rear	3750	
FRONT SUSPENSION		
Type	Independent Torsion Bar	
Standard Spring Capacity (Total lbs.)	3925	
Front Shock Absorbers Piston Diameter (mm.)	32	
Front Stabilizer Bar Diameter (in.)	1.18	
REAR SUSPENSION		
Type	Semi-Elliptic 2-Stage Multi-Leaf	
Standard Spring Capacity (Total lbs.)	3750	
Leaves Per Spring	6	
Leaf Total Thickness (in.)	2.19	
Rear Shock Absorbers Piston Diameter (mm)	32	
FRONT AXLE		
Type	Full-Floating	
Make	GM	
Maximum Capacity (lbs.)	3925	
Standard Hub Locks	Automatic	
Pinion/Ring Gear Type	Hypoid	
REAR AXLE		
Type	Semi-Floating	
Make	GM	
Maximum Capacity (lbs.)	3750	
Pinion/Ring Gear Type	Hypoid	
STANDARD TIRES	Tubeless SBR LT225/75R16C	
Capacity (lbs. each) Front/Rear	1940	
Inflation (psi) maximum	50	
Revolutions per mile @ (45 mph)	704	
WHEELS		
Size (in.) Front/Rear	16 x 6.5	
Wheel Capacity (lbs.) each	2400	
Bolt Holes	6	
Bolt Circle Diameter (in.)	5.5	
Offset (mm)	50	

¹Based on Curb Weight.

WHEELS AND TIRES

1992
K BLAZER

KEY: — - Not Available BW - Blackwall
 AS - All-Season ON-OFF - On-Off Road
 SBR - Steel-Belted Radial Ply WOL - White Outline Lettered

WHEELS AND TIRES												
TIRE SIZE	TYPE	RPO	PLY	LOAD RANGE	TIRE CAPACITY max. (lbs. ea.)	INFLATION (psi) max.	WHEEL SIZE (in.)	WHEEL CAPACITY (lbs. ea.)	BOLT HOLES	BOLT CIRCLE dia. (in.)	OFFSET (mm)	REV. PER mile @ 45 mph
LT225/75R16C	AS/SBR/BW Front Rear Spare	QJV	—	C	1940	50	16 x 6.5	2400	6	5.5	50	704
LT245/75R16C	AS/SBR/BW Front Rear Spare	QIT	—	C	2205	50	16 x 6.5	2400	6	5.5	44	681
LT245/75R16C	ON-OFF SBR/BW Front Rear Spare	QBN	—	C	2205	50	16 x 6.5	2400	6	5.5	44	681
LT245/75R16C	ON-OFF SBR/WOL Front Rear Spare	QBX	—	C	2205	50	16 x 6.5	2400	6	5.5	44	681
LT265/75R16C	ON-OFF SBR/BW Front Rear Spare	QIX	—	C	2470	50	16 x 6.5	2400	6	5.5	44	655
LT265/75R16C	ON-OFF SBR/WOL Front Rear Spare	QIY	—	C	2470	50	16 x 6.5	2400	6	5.5	44	655

* Requires N67 or N90 Wheels.

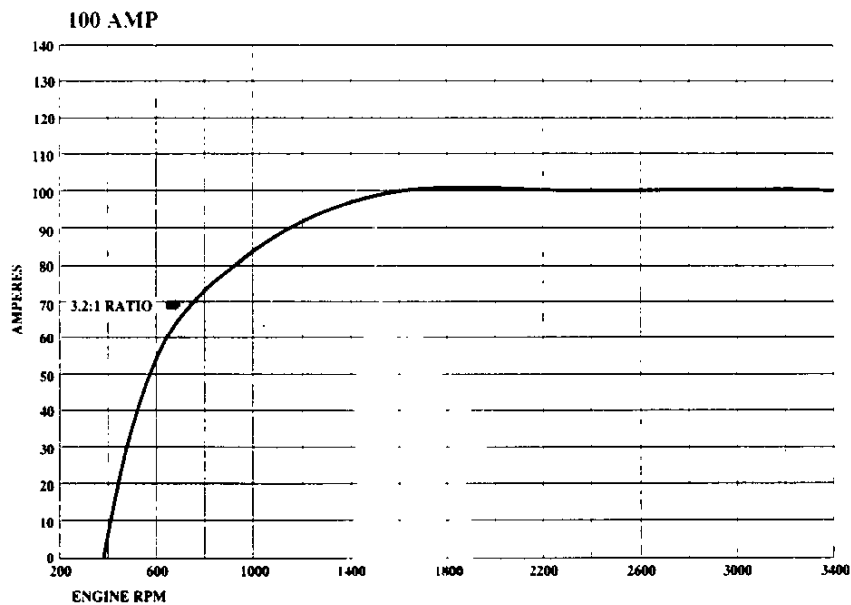
OPTIONAL WHEELS						
RPO	DESCRIPTION	WHEEL SIZE (in.)	CAPACITY	BOLT HOLES	BOLT CIRCLE dia. (in.)	OFFSET (mm)
PO6 ¹	Wheels—Rally Wheel Trim (Adds Trim Rings and Hub Caps)	16 x 6.5	2400	6	5.5	50
PF4	Wheels—Aluminum, Cast	16 x 7.0	1702	6	5.5	44

¹Included w/YES Silverado. N/A w/PF4.

FOUR-WHEEL DRIVE		
MODEL	K BLAZER	
MODEL NUMBER	CK10S16/ZW9	
FRAME		
Side Rail Dimensions Width (in.)	2.28	
Depth (in.)	7.48	
Thickness (in.)	.165	
Section Modulus Rails only (cu. in.)	4.29	
Yield Strength (PSI)	36,000	
RBM of Frame	154.440	
Width Over Rails Front (in.)	45.3	
Rear (in.)	36.7	
Overall Length of Rail (in.)	176.7	
STEERING		
Type	Variable Ratio Integral Power	
Steering Ratio On Center/At Lock	16/13:1	
Turning Diameter Curb-To-Curb (ft.)	41.5	
Wall-To-Wall (ft.)	43.3	
BRAKES		
GVWR (lbs.)	6250	
Type Includes All-Wheel Anti-Lock	Vacuum Power Front Disc/Rear Drum	
Booster Diaphragm Dia. (in.)	9.5 x 9.5 Tandem	
Front Rotor Size Diameter x Thickness (in.)	11.57 x 1.25	
Front Facing Contact Per Axle (sq. in.)	34.8	
Rear Drum Size Diameter x Width (in.)	10.0 x 2.25	
Rear Facing Contact Per Axle (sq. in.)	84.88	
Parking Brake Type	Cable To Rear Wheels	

FOUR-WHEEL DRIVE	
MODEL	K BLAZER
MODEL NUMBER	CK10516/ZW9
ELECTRICAL	
ENGINE	5.7L V8
STANDARD BATTERY	
Cold Cranking Amps @ 0°F	630
@ -20°F	470
Reserve Capacity Minutes @ 80°F	115
STANDARD ALTERNATOR	
Max. Capacity (Amps)	100
Max. Watts @ 12 Volts	1200
Nominal Amp @ Idle approximately	36
Drive Pulley Ratio	3.2:1
Model Number	CS130

ALTERNATOR CURVES

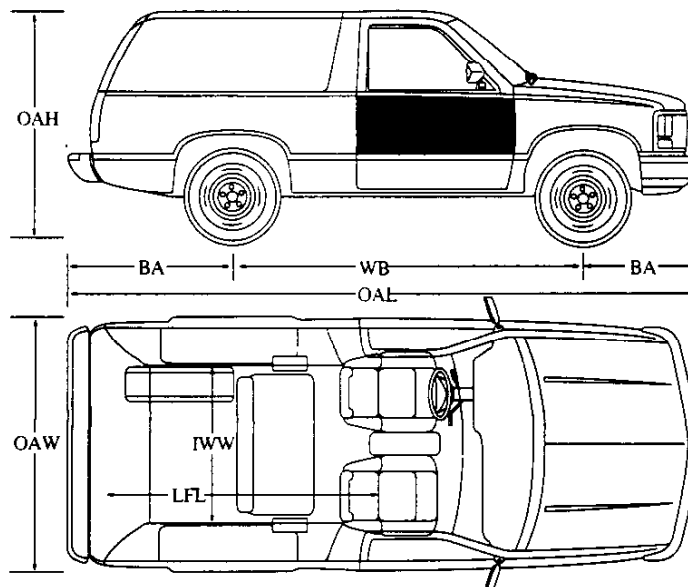


KEY: Reg Type Manual and Automatic Transmission **Bold Type** Automatic Transmission Only

FOUR-WHEEL DRIVE	
MODEL	K BLAZER
MODEL NUMBER	CK10516/ZW9
STANDARD COOLING SYSTEM	
ENGINE	5.7L V8
Radiator Thickness (in.)	.98
System Capacity (gal.)	4.3
Fan-No. Blades x Diameter x Pitch (in.)	3 x 19 x 2.01
OPTIONAL COOLING SYSTEMS	
AUTOMATIC TRANS.	MX0
Radiator Thickness (in.)	.98
System Capacity (gal.)	4.3
Fan-No. Blades x Diameter x Pitch (in.)	3 x 19 x 2.01
OPT. AIR CONDITIONING	C60
Radiator Thickness (in.)	.98
System Capacity (gal.)	4.4
Fan-No. Blades x Diameter x Pitch (in.)	5 x 19.5 x 2.01
OPT. H.D. RADIATOR AND TRANS. OIL COOLER	V02¹
Radiator Thickness (in.)	1.57
System Capacity (gal.)	4.4
Fan-No. Blades x Diameter x Pitch (in.)	5 x 19.5 x 2.01
OPT. AIR CONDITIONING AND TRANS. OIL COOLER	C60 and V02¹
Radiator Thickness (in.)	1.57
System Capacity (gal.)	4.4
Fan-No. Blades x Diameter x Pitch (in.)	5 x 19.5 x 2.01

¹Included w/Z82 Trailering.

FOUR-WHEEL DRIVE		
MODEL	K BLAZER	
MODEL NUMBER	CK10516/ZW9	
EXTERIOR		
BODY		
Wheelbase (in.)	WB	111.5
Overall Length (in.) w/o Rear Bumper	OAL	187.7
Overall Height (in.) Nominal	OAH	71.0
Maximum Width (in.)	OAW	76.4
Bumper to Axle Front (in.) Rear (in.)	BA	34.9 41.2
Ground to Top of Rear Load Floor (in.)	—	27.8
Ground Clearance Front (in.) Rear (in.)	—	6.9 7.1
SIGN PANEL AREA (in.)	Shaded Area	17 x 48 ³ / ₄
INTERIOR		
CAB		
Head Room (in.) Front/Rear	HR	40.2/38.0
Leg Room (in.) Front/Rear	LR	41.7/37.6
Shoulder Room (in.) Front/Rear	SR	66.0/63.2
Hip Room (in.) Front/Rear	HP	60.5/53.1
Cargo Volume (cu. ft.) w/Rear Seat (up/down)	CV	53.0
Cargo Volume w/o Rear Seat (cu. ft.)	CV	102.8
Load Floor Length w/Rear Seat (in.)	LFL	38.9
Load Floor Length (in.) w/o Rear Seat	LFL	74.8
Interior Width at Wheelhousing (in.)	IWW	48.5
Cargo Area Height (in.)	—	41.7
FUEL TANK		
Std. Tank Nominal (gal.) Approx.		30
Location of Tank		Inboard Frame Behind Rear Axle
Location of Filler		Left Side (Rear)



KEY S - Standard
 O - Optional
 — Not Available

NOTE: Refer to Dealer Order Guide for Updated Option Availability.

				MODELS	
				K BLAZER	
				CK10516/ZW9	
OPTION	CODE	DESCRIPTION	RESTRICTIONS		
AIR CONDITIONING	C60	Incls 100 Amp Alternator			O
AXLES, REAR	G80	Locking Differential			O
CHASSIS EQUIPMENT	Z71	Off-Road, Incls NZZ Skid Plate Pkg. and 46mm High-Pressure Gas Shocks	Reqs. QIX or QIY Tires		O
COLD CLIMATE PACKAGE	V10	Incls Engine Block Heater, Special Insulation and Anti-Freeze Protection to -32° F			O
CONVENIENCE PACKAGE Driver's	ZQ3	Incls Comfortit Steering Wheel and Electronic Speed Control			O
Operating	ZQ2	Incls Power Door Locks and Power Windows	Reqs. YE9 Silverado		O
COOLING SYSTEM Engine Oil	KC4	Incl w/Z82 Trailing	Reqs. MX0 Trans. and VO2 Cooling		O
Radiator and Transmission Oil. Heavy-Duty	V02	Incl w/Z82 Trailing	N/A MM4 Trans. w/o KC4 Eng. Oil Cooler Reqs. 3.42 axle		O
ENGINES 5.7-liter V8	L05	(See Powertrains)			S
GLASS	AJ1	Deep-Tinted Rear Window			O
LICENSE PLATE BRACKET	VK3	Front Mounted			O
LUGGAGE RACK	V54	Roof Mounted			O
MIRROR Mirror, Outside Electric	D48	Remote Electric 6.5" x 9.0"	Reqs ZQ2 and YE9 Silverado		O
MOLDING	B71	Wheel Flares, Color-keyed to lower body color	Reqs. LT245/75R16C or LT265/75R16C Tires. (See Order Guide for Additional Restrictions)		O
PAINT, EXTERIOR Solid	ZY1	(See Color and Trim)			S
Conventional Two-Tone	ZY2				O
Special Two-Tone	ZY3				O
Deluxe Two-Tone	ZY4				O
RADIO EQUIPMENT Electronically-Tuned AM/FM Stereo Radio w/Seek-Scan and Digital Clock	UM7	14 Presets, Digital Display, Two 3.5" Front/Two 4" x 10" Rear Speakers, 28 Watts Total Power Output. Incls Mast Antenna.	Included w/YE9		O
Electronically-Tuned AM//FM Stereo Radio w/Seek-Scan, Stereo Cassette Tape and Digital Clock	UM6	14 Presets, Digital Display, Two 3.5" Front/Two 4" x 10" Rear Speakers, 28 Watts Total Power Output. Incls Mast Antenna.	Reqs YE9 Silverado		O
Electronically-Tuned AM FM Stereo Radio w/ Seek-Scan, Stereo Cassette Tape w/Search-Repeat, Graphic Equalizer and Digital Clock	UX1	14 Presets, Digital Display, Two 3.5" Front/Two 4" x 10" Rear Speakers, 28 Watts Total Power Output. Incls Mast Antenna.	Reqs YE9 Silverado		O
Radio Delete	UL5				O

OPTIONS

1992
K BLAZER

KEY S - Standard
O - Optional
— Not Available

NOTE: Refer to Dealer Order Guide for Updated Option Availability.

				MODELS	
				K BLAZER	
				CK10516/ZW9	
OPTION	CODE	DESCRIPTION	RESTRICTIONS		
REAR WINDOW EQUIPMENT					
Rear Window Wiper	C25	Intermittent Wiper, Incls Washer	Included w/ ZP6		O
Rear Window Convenience Package	ZP6	Rear Window Defroster, Intermittent Wiper, Incls Washer			O
SEATING					
Seat Adjuster, Power	AG9	6-Way	Driver's Side Only. Reqs. Split Bench or A95 High Back Reclining Bucket Seats		O
SHIELD, PACKAGE	NZZ	Incls Protective Shield on Transfer Case, Engine, Front Differential and Fuel Tank	Incl w/Z71 Off-Road Chassis		O
SILVERADO	YE9	(See Trim Level Section)			O
SPORT APPEARANCE PACKAGE	BYP	Incls ZY2 and Up-level Dark Argent Grill, Composite Halogen Headlamps, Dark Argent Front Bumper with rub strips, Dark Argent Rear Bumper w/ Rub Strips and Step Pad, Dark Argent Wheel Flares, Black Outside Mirrors, Black Front Air Dam, Front License Bracket, Special Body Striping and Sport Identification Decals, 16" x 7" Cast Alum. Wheels, LT245/75R16C BW Tires and 16" x 6.5" Steel Spare			O
SPRINGS	F60	Front, Heavy-Duty;	Incls H.D. Front and Rear Shocks		O
STRIPING	D85	(Refer to Color Chart)	Reqs. ZY1 or ZY2 Paint N/A w/BYP Sport Package		O
TACHOMETER	U16	Mounted in Instrument Cluster			O
TIRE EQUIPMENT		(See Wheels and Tires for Details)			
P225/75R16C	QJV				S
P245/75R16C	QIT				O
	QBN				O
	QBX				O
P265/75R16C	QIX				O
	QIY				O
TRAILERING SPECIAL EQUIPMENT	Z82	Incls Hitch, H.D. Wiring Harness, H.D. Hazard Flasher, V02 Trans Oil Cooler and KC4 Engine Oil Cooler	Reqs MX0		O
TRANSMISSIONS		(See Powertrains)			
5-Speed Man w/Overdrive	MM5				S
4-Speed Auto w/Overdrive	MX0				O
WHEELS					
Rally Trim	PO6	Steel Rally Wheel Trim (Adds Trim Rings and Hub Caps)	Incl in YE9 Silverado. w/o YE9 Silverado reqs QIY, QIX, or QJV Tires. N/A w/BYP Sport Package		O
Aluminum, Cast	PF4	16" x 7" Cast Alum. Wheels; Incls 16" x 6.5" Spare Steel Wheel	Incl in BYP Sport Package		O

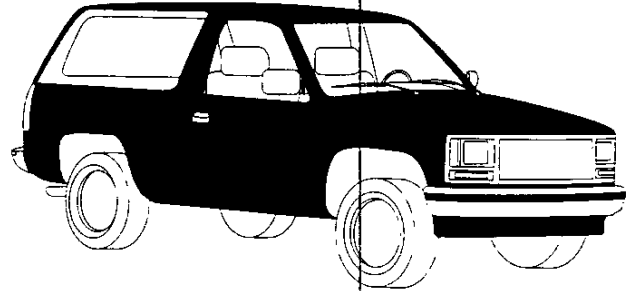
K BLAZER

COLOR COMBINATIONS

SOLID COLOR

(ZY1)

Solid color (ZY1) paint is standard on all models. All painted areas of the body and front end sheet metal are painted the same color. Below are the interior trim color and exterior paint combinations recommended by Chevrolet. They are the only combinations allowed. Also included in the chart is the optional D85 Stripe. For further information, refer to Seats and Interior Trim pages as well as the Order Guide.



KEY: ●—Recommended Blank—Not Available

EXTERIOR COLORS		STRIPE COLORS	INTERIOR COLORS			
COLOR CODE 1	COLOR CODE 2	D85 (OPTIONAL)	Blue	Garnet	Beige	Gray
22 Brilliant Blue Met.	22 Brilliant Blue Met.	Lt. Blue	•			
27 Smoke Blue Met.	27 Smoke Blue Met.	Lt. Blue	•			
	27 Smoke Blue Met.	Silver				•
36 Teal Blue Met.	36 Teal Blue Met.	Lt. Teal Met.				•
41 Onyx Black	41 Onyx Black	Beige Met.			•	
	41 Onyx Black	Victory Red		•		
	41 Onyx Black	Silver				•
50 Summit White	50 Summit White	Lt. Blue	•			
	50 Summit White	Victory Red		•		
	50 Summit White	Cinnamon			•	
	50 Summit White	Silver				•
57 Sand Beige	57 Sand Beige	Cinnamon			•	
	57 Sand Beige	Victory Red		•		
74 Victory Red	74 Victory Red	Silver		•	•	•
76 Burnt Red Met.	76 Burnt Red Met.	Victory Red		•		
	76 Burnt Red Met.	Silver				•
	76 Burnt Red Met.	Beige Met.			•	
96 Quicksilver Met.	96 Quicksilver Met.	Victory Red		•		•
	96 Quicksilver Met.	Lt. Blue	•			
	96 Quicksilver Met.	Beige Met.			•	
97 Slate Metallic	97 Slate Met.	Silver				•
	97 Slate Met.	Victory Red		•		

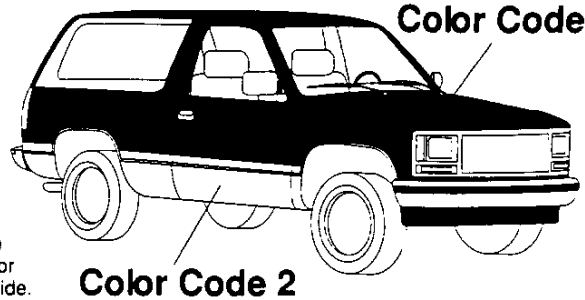
COLOR COMBINATIONS

1992
K BLAZER

CONVENTIONAL TWO-TONE

(ZY2)

Conventional two-tone (ZY2) paint combination is an optional paint combination. Color code 1 is applied to the areas above the lower feature line groove and color code 2 is applied to the areas below. Below are the interior trim color and exterior paint combinations recommended by Chevrolet. The only available color code 1/color code 2 exterior color combinations are those shown in the chart below. Also included in the chart is the optional D85 Stripe. For further information, refer to Seats and Interior Trim pages as well as the Order Guide.



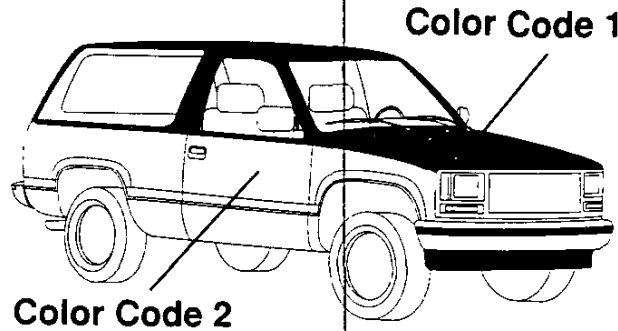
KEY: ●—Recommended Blank—Not Available **Bold**—Not Available w/B71 Molding

EXTERIOR COLORS		STRIPE COLORS	INTERIOR COLORS			
COLOR CODE 1	COLOR CODE 2	D85 (OPTIONAL)	Blue	Garnet	Beige	Gray
22 Brilliant Blue Met.	50 Summit White	Lt. Blue	●			
	96 Quicksilver Met.	Silver	●			
	97 Slate Met.	Lt. Blue	●			
27 Smoke Blue Met.	41 Onyx Black	Lt. Blue	●			
	41 Onyx Black	Silver				●
	50 Summit White	Silver				●
	50 Summit White	Lt. Blue	●			
36 Teal Blue Met.	50 Summit White	Lt. Teal Met.				●
	57 Sand Beige Met.	Beige Met.			●	
	96 Quicksilver Met.	Silver				●
	97 Slate Met.	Lt. Teal Met.				●
41 Onyx Black	36 Teal Blue Met.	Beige			●	
	36 Teal Blue Met.	Silver				●
	50 Summit White	Silver				●
	57 Sand Beige	Beige			●	
	74 Victory Red	Victory Red		●		●
	76 Burnt Red Met.	Victory Red		●		
	96 Quicksilver Met.	Silver		●		●
	97 Slate Met.	Victory Red		●		●
50 Summit White	22 Brilliant Blue Met.	Lt. Blue	●			
	27 Smoke Blue Met.	Lt. Blue	●			
	36 Teal Blue Met.	Silver				●
	41 Onyx Black	Silver				●
	41 Onyx Black	Victory Red		●		
	74 Victory Red	Victory Red		●		
	76 Burnt Red Met.	Silver				●
	76 Burnt Red Met.	Victory Red		●		
	97 Slate Met.	Victory Red		●		
	97 Slate Met.	Silver				●
57 Sand Beige	41 Onyx Black	Cinnamon			●	
74 Victory Red	41 Onyx Black	Silver		●		●
	50 Summit White	Silver		●		●
	96 Quicksilver Met.	Silver		●		●
	97 Slate Met.	Silver		●		●
76 Burnt Red Met.	41 Onyx Black	Silver				●
	41 Onyx Black	Victory Red		●		
	50 Summit White	Victory Red		●		
	57 Sand Beige Met.	Beige Met.		●	●	
	96 Quicksilver Met.	Silver		●		●
96 Quicksilver Met.	22 Brilliant Blue Met.	Lt. Blue	●			
	41 Onyx Black	Victory Red		●		●
	74 Victory Red	Victory Red		●		●
	76 Burnt Red Met.	Victory Red		●		●
	97 Slate Met.	Victory Red		●		●
97 Slate Met.	36 Teal Blue Met.	Silver				●
	41 Onyx Black	Silver				●
	41 Onyx Black	Victory Red		●		
	50 Summit White	Silver				●
	50 Summit White	Victory Red		●		
	74 Victory Red	Silver				●
	74 Victory Red	Victory Red		●		
	96 Quicksilver Met.	Silver				●
	96 Quicksilver Met.	Victory Red		●		

SPECIAL TWO-TONE

(ZY3)

Special two-tone (ZY3) paint colors include decal striping. The areas above the striping are painted color code 1, and the areas below are painted color code 2. Below are the interior trim colors and exterior paint combinations recommended by Chevrolet. They are the only available interior and exterior combinations allowed. For further information, refer to Seats and Interior Trim pages as well as the Ordering Guide.



KEY: ●—Recommended Blank—Not Available **Bold**—Not Available w/B71 Molding

EXTERIOR COLORS		STRIPE COLORS		INTERIOR COLORS		
COLOR CODE 1	COLOR CODE 2	(STANDARD)	Blue	Garnet	Beige	Gray
22 Brilliant Blue Met.	50 Summit White	Lt. Blue/Dk. Blue	●			
	96 Quicksilver Met.	Lt. Blue/Slate	●			
	97 Slate Met.	Lt. Blue/Slate	●			
27 Smoke Blue Met.	41 Onyx Black	Lt. Blue/Dk. Blue	●			
	41 Onyx Black	Lt. Blue/Slate				●
36 Teal Blue Met.	50 Summit White	Lt. Blue/Dk. Blue	●			●
	96 Quicksilver Met.	Lt. Teal/Silver				●
	97 Slate Met.	Lt. Teal/Silver				●
41 Onyx Black	36 Teal Blue Met.	Vermillion/Beige			●	
	36 Teal Blue Met.	Vermillion/Silver				●
	50 Summit White	Vermillion/Beige				●
	57 Sand Beige Met.	Vermillion/Beige			●	
	74 Victory Red	Vermillion/Beige		●		●
	76 Burnt Red Met.	Vermillion/Garnet		●		
	96 Quicksilver Met.	Vermillion/Silver				●
	97 Slate Met.	Vermillion/Beige			●	●
50 Summit White	22 Brilliant Blue Met.	Lt. Blue/Dk. Blue	●			
	27 Smoke Blue Met.	Lt. Blue/Dk. Blue	●			
	36 Teal Blue Met.	Lt. Blue/Dk. Blue				●
	41 Onyx Black	Vermillion/Silver				●
	41 Onyx Black	Vermillion/Garnet		●		
	74 Victory Red	Vermillion/Garnet		●		
	76 Burnt Red Met.	Vermillion/Silver				●
	76 Burnt Red Met.	Vermillion/Garnet		●		
	97 Slate Met.	Vermillion/Garnet		●		
	97 Slate Met.	Vermillion/Silver				●
57 Sand Beige Met.	41 Onyx Black	Vermillion/Beige			●	
	76 Burnt Red Met.	Vermillion/Beige		●	●	
	97 Slate Met.	Vermillion/Beige			●	
74 Victory Red	41 Onyx Black	Vermillion/Garnet		●		
	41 Onyx Black	Vermillion/Silver				●
	50 Summit White	Vermillion/Garnet		●		
	50 Summit White	Vermillion/Silver				●
	96 Quicksilver Met.	Vermillion/Silver		●		●
	97 Slate Met.	Vermillion/Silver				●
	97 Slate Met.	Vermillion/Garnet		●		
76 Burnt Red Met.	41 Onyx Black	Gold/Black				●
	50 Summit White	Vermillion/Garnet		●		
	57 Sand Beige Met.	Vermillion/Beige		●	●	
	96 Quicksilver Met.	Vermillion/Silver				●
	96 Quicksilver Met.	Vermillion/Garnet		●		
96 Quicksilver Met.	22 Brilliant Blue Met.	Lt. Blue/Slate	●			
	41 Onyx Black	Vermillion/Garnet		●		
	41 Onyx Black	Vermillion/Silver				●
	74 Victory Red	Vermillion/Silver		●		●
	76 Burnt Red Met.	Vermillion/Silver				●
	76 Burnt Red Met.	Vermillion/Garnet		●		
	97 Slate Met.	Vermillion/Silver		●		
97 Slate Met.	36 Teal Blue Met.	Vermillion/Silver				●
	41 Onyx Black	Vermillion/Silver		●		●
	50 Summit White	Vermillion/Silver		●		●
	74 Victory Red	Vermillion/Silver		●		●
	96 Quicksilver Met.	Vermillion/Silver		●		●

SPECIAL TRAILERING PACKAGES

If you tow a light trailer (up to 3000 lbs. gross weight) with your new K Blazer, the optional Special Trailing Package is not required. A deadweight hitch and 5-wire wiring harness are recommended for trailers up to 3000-lbs. The hitch is available as an accessory, but the harness must be furnished by an outside supplier.

If you intend to tow a medium trailer (3000 to 4000 lbs. gross weight) or a heavy trailer (4000 to 7000 lbs. gross weight), heavy-duty Special Trailing Package RPO Z82 is a required option. (It is also required, regardless of gross trailer weight, if your trailer tongue weight exceeds 300 lbs.) RPO Z82 includes a weight-distributing hitch platform which is bolted to the undercarriage and a 7-wire wiring harness (included in RPO Z82) that requires a connector.



See the chart below—Required/Recommended Trailing Equipment—for trailing options in addition to Trailing Special Packages.

Note that, although K Blazer can be purchased with a manual transmission, Chevrolet strongly

endorses the 4-speed automatic transmission for towing purposes.

Other important trailing information is available in the Owner's Manual of every 1992 K Blazer.

(R) — Required

REQUIRED/RECOMMENDED TRAILERING EQUIPMENT				
Hitch Type		Ball		
Trailer Classification		Light	Medium	Heavy
Maximum Trailer Weight		3000	4000	7000
Maximum Tongue Load (lbs.)		300	500	850
Vehicle Series		K10	K10	K10
Engine & Axle Ratio with Maximum Trailer Weight	5.7L	3.42	3.42	3.42 (6000) 3.73 (7000)
Automatic transmission		MXO	MXO(R)	MXO(R)
Special Trailing Package		—	Z82(R)	Z82(R)
Trailer Hitch	Step bumper	STD	STD.	STD
	(Weight Distributing) Platform	—	Z82(R)	Z82(R)
Wiring Harness		7 wire	Z82(R)	Z82(R)
Cooling	Transmission Oil	—	Z82(R)	Z82(R)
	Engine Oil	—	Z82(R)	Z82(R)
Locking Rear Axle		—	G80	G80
Cruise Control & Tilt Wheel		—	ZQ3	ZQ3

Trailing Related Standard Equipment: Power Steering, Power Brakes, 30 Gallon Fuel Tank, 100-Amp Alternator Below Eyeline Mirrors, Heavy Duty Radiator, Front Stabilizer Bar.

HOW TO USE GCWRs TO DETERMINE POWERTRAIN AND REAR AXLE RATIO FOR TRAILERING

Use Gross Combination Weight Ratings (GCWRs) to determine the engine, transmission and rear axle ratio you will require to tow a special trailer with your truck. The chart shows you the maximum allowable GCWR based on all the available truck engines and rear axle ratios with automatic or manual transmissions.

The GCWR includes the total loaded weight of both the truck and trailer. Any available engine may be used for trailering if the GCWR shown is not exceeded. The trailer weight can be increased by 25% if the vehicle speed will not exceed 25 mph.

GROSS COMBINATION WEIGHT RATING (GCWR)																					
With Automatic or Manual Transmission																					
GCWR (lb.)	6000	6500	7000	7500	8000	8500	9000	9500	10,000	10,500	11,000	11,500	12,000	12,500	13,500	14,000	14,500	15,000	16,000	19,000	
Engines	Rear Axle Ratios																				
5.7L (350) V8 Gas											3.42		3.73								

When towing a trailer in excess of 4000 lbs. with a truck equipped with a 4-speed automatic transmission, it is recommended to shift to third gear range ("D") instead of overdrive ("O") for normal towing, and to manually downshift as required on uphill and downhill grades.

Note: Model and driveline combinations must be verified by your local dealer for correct emissions equipment.

GENERAL TRAILERING INFORMATION

AVAILABLE TRAILERING EQUIPMENT

Chevrolet Truck offers a wide selection of available options for trailering and a few of them are described here.

LOAD-DISTRIBUTING PLATFORM

Required when towing trailers over 2000 lbs. Installs quickly and easily.

LIGHT-DUTY TRAILER HITCH

For hauling trailers up to 3000 lbs. with a maximum tongue load of 300 lbs. A 1 7/8" diameter ball is included.

HITCH BALLS

1 7/8"-diameter ball is standard with light-duty hitches. It is also available as an accessory. A 2"-diameter ball is also available for hitches.

WIRING HARNESES

5-wire used with trailers up to 2000 lbs. gross weight and 7-wire for larger trailers. Harnesses tie into vehicle's electrical system to give your trailer lights, plus electric brakes or battery charging.

TRUCK WIRING CODE

The following color code for trucks should be used when installing trailer wiring harnesses.

- **Blue.** Used for electric trailer brakes or auxiliary wiring.
- **Red.** Used for battery charging. Connects to starter solenoid. (7-wire harness only).
- **Light Green.** Backup lights (7-wire harness only).
- **Brown.** Taillight and running lights.
- **Yellow.** Left stop and turn signal.
- **Dark Green.** Right stop and turn signal.
- **White.** Ground.

COOLERS AND COOLING

To maintain normal temperatures in coolant, engine and transmission oil, order the following separate options.

RPO V02. This is an extra-capacity heavy-duty automatic transmission oil cooler option. (Included in RPO Z82 Trailering Special Package.)

RPO KC4. This optional engine oil cooler circulates oil through a separate cooler mounted LH side tank of the radiator. (Included in RPO Z82 Trailering Package for gasoline engine models.)