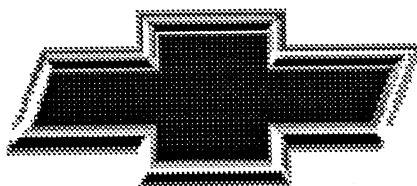


S 10

2731BLAZ-95

1995 BLAZER



GENUINE CHEVROLET

BLAZER INTRODUCTION

BLAZER

The 1995 Chevrolet Blazer (formerly S-Blazer) is all new this year. The 2-door model is offered in two trim levels: "Standard" and "LS." The Blazer 4-door is available in three trim levels: "Standard," "LS" and "LT."

Some of the major changes to the all-new Blazer for 1995 include:

- A totally new, redesigned body adds more style and flair to this market segment
- A new standard 4.3L V6 CPI (L35) engine
- New Exterior and Interior Colors
- R134a Refrigerant replaces R12 for an environmentally safe air conditioner
- Standard Deep-Tinted Solar-Ray™ Glass, Light-Tint Rear Glass
- Optional Driver's Convenience Packages: Tilt-Wheel™, Speed Control and Power: Windows, Locks and Mirrors
- Standard Four-Wheel Anti-Lock Brake System
- Underhood/Underbody Corrosion Enhancements
- Center High-Mounted Stop Lamp to comply with FMVSS 108
- Standardized color-coded labeling of underhood customer service locations
- Aerodynamic exterior rearview mirrors
- More shoulder, hip and headroom than the 1994 S-Blazer
- New analog Instrumentation
- Reduced interior noise
- Redesigned chassis packages
- Improved Spare Tire Carrier
- Side Door Guard Beams to comply with FMVSS 214 side impact standards
- Scotchgard™ protection for carpet and cloth interior
- Base Trim, Options that are now Standard Equipment: Air Conditioning, Floor Mats, Below-Eye-Line Exterior Mirrors, Automatic Transmission and a Light Duty 5-Lead Trailer Wiring Harness
- New Chassis Packages: 2-door – (Z83) Smooth Ride, (Z85) Touring Ride, (ZM6) Off-Road (4x4 only); 4-door – (ZQ1) Solid smooth Ride, (Z85) Touring and (ZW7) Premium ride replaces Individual Componentry Ordering
- 2-sided Key for simplified entry and key lockup of vehicle. Standard on all models.
- Standard Driver's Side Air Bag
- Standard AM/FM Stereo Radio with Digital Clock (includes four speakers), Blazer — "Standard" trim
- Standard AM/FM stereo cassette radio with digital clock (includes four speakers), Blazer "LS" and "LT" trims
- New Rear Seat Heating Duct
- Optional Remote Keyless Entry, Standard with "LT" model
- New Standard 15" x 7" Steel Argent Wheels with Black Center Cap and Trim Rings
- New Seating Options: Reclining High Back Buckets with manual lumbar adjustment; 60/40 reclining split folding bench (includes storage armrest and dual cupholders) (N/A on 2-door models); Leather Front Bucket seating surfaces with driver 6-way power adjuster.

BLAZER

TRANSMISSIONS	
	ELECTRONIC AUTOMATIC 4-SPEED W/OD AND TORQUE CONVERTER CLUTCH (4L60-E)
Availability	All Models
Transmission Order Code	M30
Engine Application (Order Code)	4.3L V6 (L35)
Synchronized Speeds	—
Gear Ratios	
First	3.06
Second	1.63
Third	1.00
Fourth	0.70
Fifth	—
Reverse	2.29
Shaft Center Distance (mm)	—

AXLES									
	REAR AXLE					FRONT AXLE			
Availability	4x2 Models					4x4 Models			
Make	GM					GM			
Capacity (lb)	2900					2600/2700			
Pinion and Ring Gear Type	Hypoid					Hypoid			
Engine Availability	4.3L V6 (L35)					4.3L V6 (L35)			
Axle Ratio Code	GU4	GU6	GU4	GU6	GT4	GU4	GU6	GT4	
Ratio	3.08	3.42	3.08	3.42	3.73	3.08	3.42	3.73	
Pinion Teeth	13	12	13	12	11	13	12	11	
Ring Gear Teeth	40	41	40	41	41	40	41	41	
Ring Gear Diameter (in.)	7.62	7.62	7.62	7.62	7.62	7.25	7.25	7.25	

Note: Axle Ratio availability depends on model, powertrain and emissions selected. See your 1995 Chevrolet Truck Order Guide for details.

TRIM LEVELS

Chevrolet offers Blazer 2-Door in two trim levels: "Standard" and "LS" (YC3). The Blazer 4-Door is offered in three trim levels: "Standard," "LS" (YC5) and "LT." The following chart details major standard features. See your 1995 Chevrolet Truck Order Guide for details.

CHASSIS EQUIPMENT				
KEY: ■ = STANDARD, — = NOT INCLUDED		STANDARD	LS	LT
BRAKES	Power Assisted: front disc, rear drum. Includes four-wheel anti-lock system.	■	■	■
FRAME	All-welded ladder-type, channel design and boxed front-end section.	■	■	■
FUEL TANK	2-Door: 20 gallon (approx.) capacity, 4-Door: 19 gallon (approx.) capacity.	■	■	■
REAR AXLE	Hypoid semi-floating.	■	■	■
SHOCK ABSORBERS	Front/Rear: 32mm w/ZQ1/Z83 Chassis Package. Front: 46mm; Rear: 36mm deCarbon w/ZW7 and Z85 Chassis Package. Front/Rear: 46mm Bilstein w/ZM6.	■	■	■
STABILIZER BAR	Front: 33mm w/all Chassis Packages. Rear: 23mm w/Z83, Z85 (2WD), ZQ1, ZW7 and ZM6 26mm W/Z85 (4WD)	■	■	■
STEERING	Variable integral power 16/13:1.	■	■	■
SUSPENSION, FRONT	4x2: Independent with computer-selected coil springs. 4x4: Independent with computer-selected torsion springs.	■	■	■
SUSPENSION, REAR	Semi-elliptic two-stage multi-leaf springs.	■	■	■
TOW HOOKS	Two front-mounted on 4x4 only.	■	■	■

EXTERIOR EQUIPMENT				
AIR DAM	4x2: Matches bumper color; 4x4: Dark Gray.	■	■	■
BUMPERS	4x2: Color-keyed to lower body color; 4x4: Dark Gray w/ Dark Gray end caps (Includes: Front bumper rubstrip on 4-door models w/YC5 or YC6). Painted body color w/YC3 and ZY7.	■	■	■
GRILLE	Dark Gray. Deluxe front bright appearance package.	■	—	—
HEADLAMPS	Single rectangular halogen sealed beam. Composite (w/4-door models w/YC5 and YC6.)	■	■	■
HORN	Dual horns, low-and high-note.	■	■	■
INSULATION	Hood insulation and cowl-to-fender seals.	■	■	■

BLAZER

INTERIOR EQUIPMENT (CONTINUED)

KEY: ■ = STANDARD, — = NOT INCLUDED		STANDARD	LS	LT
SPARE TIRE AND WHEEL	Full-size spare tire and steel wheel with cover located at left rear. <small>1991 models and 1992 4x4 models only. 1993 models and 1994 4x4 models only.</small>	■	■	■
STEERING WHEEL	Four-spoke, deluxe graphite urethane. Leather wrapped.	■	—	—
STORAGE BOX	RH side of instrument panel with door activated light. 2-door includes two boxes in rear seat area.	■	■	■
SUNSHADE	Dual padded, color-keyed with elastic strap and RH vanity mirror. Dual padded, color-keyed with elastic straps and LH and RH illuminated vanity mirrors with extenders.	■	—	—
TOOLS	Mechanical jack and wheel wrench with cover located at left rear.	■	■	■
WINDOWS	Tinted Solar-Ray deep-tint. Light tint in rear.	■	■	■

PREFERRED EQUIPMENT GROUPS

Preferred Equipment Groups (PEGs) are convenient option packages that can save your customers money. They would pay appreciably more by buying all the options in a Preferred Equipment Group as individual options. (Savings based on a comparison of Manufacturer's Suggested Retail Price of option packages versus MSRP of individual options purchased separately). See your 1995 Chevrolet Truck Order Guide and Vehicle Price Schedule for specific information and prices.

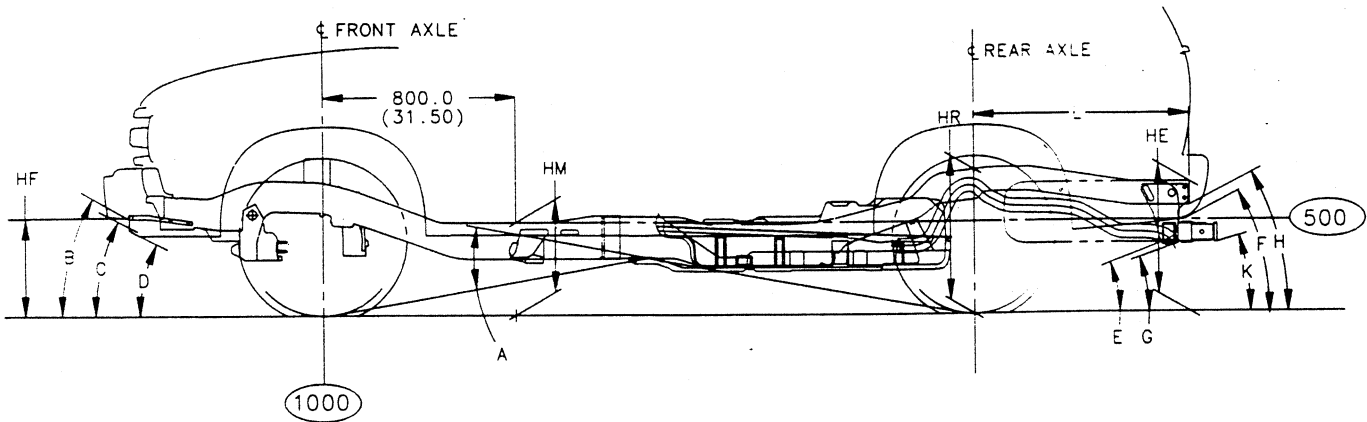
OPTIONS

These options can be ordered individually in addition to the Preferred Equipment Groups if not already included. See your 1995 Chevrolet Truck Order Guide for specific availability and restrictions. The Option Code is listed in **bold type**.

Air Dam w/Fog Lamps (4x2 only)	ANL
Axles, Rear	
3.08	GU4
3.42	GU6
3.73 (4x4 only, requires G80)	GT4
Axle, Rear Locking Differential	G80
Battery, Heavy-Duty (690 CCA, included w/V10 Cold Climate Package)	UA1
Carrier, Luggage (black)	V54
Carrier, Outside Spare Tire (mounted outside of rear endgate, includes exterior cover)(available on 2-door 4WD model only)	P16
Carrier, Outside Spare Tire Carrier Not Desired	PNV
Chassis, All Wheel Drive (requires ZV7, CT10506 only)	F46
Cold Climate Package (includes Heavy-Duty Battery, and Engine Block Heater)	V10
Console, Overhead (requires bucket seats)	DK6
Convenience Package, Driver's: Tilt-Wheel™ Steering and Speed Control	ZQ3
Power Windows, Locks and Mirrors	ZQ6
Convenience Package, Rear Window (includes Power Tailgate Release, Rear Window Defogger, Wiper and Washer System)	ZM8
Emission Systems:	
Federal	FE9
Massachusetts	NG1
California	YF5

Federal Override	NC7
Cal./Massachusetts Override	NB8
Engine:	
4.3L CPI V6 (requires Automatic Transmission)	L35
Keyless Entry Remote	AU0
GVWR Ratings:	
4450	C3G
4785	C6B
4850	C6I
5300	C3H
Paint, Exterior:	
Solid	ZY1
Sport Two-Tone (requires YC3)	ZY7
Radio Equipment:	
Radio Delete	UL5
ETR AM/FM Stereo Radio w/Seek-Scan, Stereo Cassette/Digital Clock	UM6
ETR AM Stereo/FM Stereo Radio w/Seek-Scan/Digital Cassette with Search/Repeat, Graphic Equalizer/Digital Clock (includes six speakers)	UX1
ETR AM/FM Stereo Radio w/Seek-Scan, Compact Disc Player, Digital Clock and Premium Speakers (includes six speakers)	U1C
Rear Compartment Shade (available on 2-door with YC3 and P16 spare tire mount)	RYJ

Seats:	
Reclining High Back Buckets	AV5
Leather Seating Surfaces	AN3
60/40 Reclining Split Folding Bench Seats (includes storage armrest and dual cupholders) (N/A on 2-door)	AM6
Rear 60/40 Folding Bench	AM7
Rear Not Desired	YG4
Driver 6-way power adjust	AG1
Shield Package (4x4 only.) Includes transfer case and front differential skid plates, fuel tank and steering linkage shields	ZM5
Support Packages:	
1991 4-door only	ZQ1
1991 2-door only	Z83
1992 4-door only	Z35
1992 2-door only	ZM6
1993 4-door only	ZW7
Tachometer	U16
Trailer Special Equipment, Heavy-Duty (includes seven-lead wiring harness, heavy-duty flasher, weight distribution platform hitch)	Z82
Transfer Case, Electronic Shift (instrument panel-mounted switch, eliminates shift lever controls and includes a console)	NP1
Transmissions:	
4-speed Electronically Controlled w/Overdrive	M30
Wheels, Aluminum Painted Silver (requires YC3)	PA3
Aluminum, Argent	N60
Aluminum, Cast	N90



FRAME HEIGHTS AND LENGTHS

- L Centerline of axle to end of frame
- HF Bottom of bumper to ground
- HM Inside top of frame to ground
- HR Top of frame to ground at centerline of rear axle
- HE Top of frame to ground

ANGLE(S)

- A Ramp breakover

ANGLE(S) (APPROACH)

- B Tow hooks
- C Front bumper
- D Spoiler

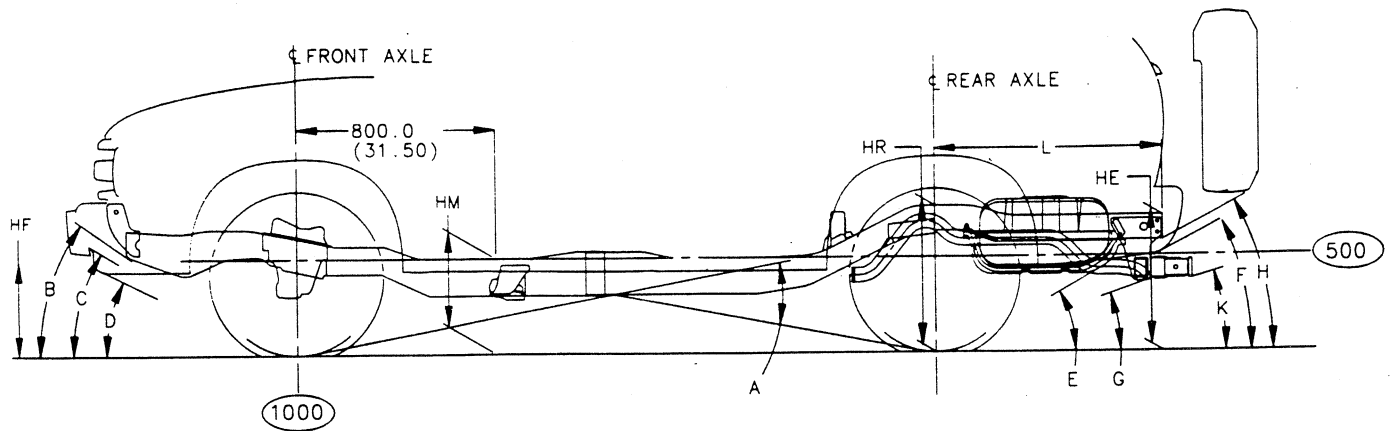
ANGLE(S) (DEPARTURE)

- E Spare tire
- F Rear bumper
- G Exhaust
- H Chassis
- K Platform hitch

S10506 107.0" Wheelbase						Frame Heights at Base Model Curb Weight				Frame Heights and Angular Dimensions are shown at Maximum GAWR Front and Rear												
GVW/Tire	Base Model Curb Weight			GAWR		HF	HM	HR	HE	HF	HM	HR	HE	A	B	C	D	E	F	G	H	K
	Frt	Rr	Ttl	Frt	Rr																	
4785 P205/75R15	2037	1661	3698	2400	2700	16.6	15.2	25.8	24.8	16.2	13.1	22.7	21.0	16	23	27	20	20	23	18	27	16
4850 P205/75R15	2016	1650	3666	2400	2800	16.8	15.2	25.8	24.7	16.2	13.1	22.8	21.1	16	23	27	20	20	23	18	27	16

T10506 107.0" Wheelbase						Frame Heights at Base Model Curb Weight				Frame Heights and Angular Dimensions are shown at Maximum GAWR Front and Rear												
GVW/Tire	Base Model Curb Weight			GAWR		HF	HM	HR	HE	HF	HM	HR	HE	A	B	C	D	E	F	G	H	K
	Frt	Rr	Ttl	Frt	Rr																	
5100 P205/75R15	2351	1701	4052	2600	2700	19.6	16.2	25.7	23.8	19.7	14.4	22.8	20.2	19	29	33	26	19	22	17	26	14
5300 P235/70R15	2301	1770	4071	2600	2900	20.4	16.4	25.6	23.6	20.1	14.8	23.1	20.5	20	30	33	27	19	22	18	26	15

Chassis S/T 10506 4 Door Utility, Frame Heights and Ramp Angle Data



FRAME HEIGHTS AND LENGTHS

- L Centerline of axle to end of frame
- HF Bottom of bumper to ground
- HM Inside top of frame to ground
- HR Top of frame to ground at centerline of rear axle
- HE Top of frame to ground

ANGLE(S)

- A Ramp breakover

ANGLE(S) (APPROACH)

- B Tow hooks
- C Front bumper
- D Spoiler

ANGLE(S) (DEPARTURE)

- E Fuel tank
- F Rear bumper
- G Exhaust
- H Chassis
- K Platform hitch

S10516 100.5" Wheelbase				Frame Heights at Base Model Curb Weight				Frame Heights and Angular Dimensions are shown at Maximum GAWR Front and Rear														
GVW/Tire	Base Model Curb Weight			GAWR		HF	HM	HR	HE	HF	HM	HR	HE	A	B	C	D	E	F	G	H	K
	Frt	Rr	Ttl	Frt	Rr																	
4450 P205/75R15	1921	1667	3588	2200	2600	16.4	15.2	25.0	24.7	16.1	13.4	22.5	21.5	18	23	27	20	32	24	19	18	14

T10516 100.5" Wheelbase				Frame Heights at Base Model Curb Weight				Frame Heights and Angular Dimensions are shown at Maximum GAWR Front and Rear														
GVW/Tire	Base Model Curb Weight			GAWR		HF	HM	HR	HE	HF	HM	HR	HE	A	B	C	D	E	F	G	H	K
	Frt	Rr	Ttl	Frt	Rr																	
4785 P205/75R15	2136	1707	3843	2500	2600	19.9	16.1	24.5	23.1	19.2	14.5	22.5	20.8	20	28	32	25	30	23	18	27	13
4850 P235/70R15	2112	1795	3907	2500	2700	20.5	16.5	24.9	23.4	19.7	14.8	22.7	20.9	21	29	33	26	31	23	18	27	13

Chassis S/T 10516 2 Door Utility, Frame Heights and Ramp Angle Data

TIRES			
KEY: ALS = ALL-SEASON SBR = STEEL-BELTED RADIAL PLY BW = BLACKWALL		BL = BLACK LETTERED	
OOD = ON-OFF ROAD WOL = WHITE OUTLINE LETTERED			
TIRE DESCRIPTION		ORDERING CODE	
P205/75R15	ALS/SBR/BW	QCE	
P205/75R15	ALS/SBR/BL	QCA	
P235/70R15	ALS/SBR/BL	QBF	
P235/70R15	ALS/SBR/BL	QBG	
P235/75R15	OOR/SBR/WOL	QEB	

DIMENSIONS

MODEL	BLAZER (2-WHEEL DRIVE)		BLAZER (4-WHEEL DRIVE)	
	CS10516/E55	CS10506/E55	CT10516/E55	CT10506/E55
MODEL NUMBER				
EXTERIOR DIMENSIONS				
BODY				
Wheelbase (in.)	100.5	107.0	100.5	107.0
Overall Length (in.)	177.0	182.0	177.0	182.0
Overall Height (in.)	66.0	65.9	66.9	67.0
Maximum Width (in.)	67.8	67.8	67.8	67.8
Bumper to Axle (in.)				
Front	34.6	34.6	34.6	34.6
Rear	39.7	39.7	39.7	39.7
Ground to Top of Rear Load Floor (in.)	28.4	29.0	28.4	29.4
Ground Clearance (in.)				
Front/Rear	8.5/8.1	8.5/7.6	8.3/8.0	8.3/7.5
Turning Diameter Curb-to-Curb (ft)	34.8	36.6	35.2	39.5
SIGN PANEL AREA (in.)	15 x 46.25	15 x 46.25	15 x 46.25	15 x 46.25

INTERIOR DIMENSIONS				
CAB				
Headroom (in.) Front/Rear	39.6/38.2	39.6/38.2	39.6/38.2	39.6/38.2
Legroom (in.) Front/Rear	42.5/36.3	42.5/36.3	42.5/36.3	42.5/36.3
Shoulder Room (in.) Front/Rear	57.7/57.2	57.2/57.2	57.7/57.2	57.2/57.2
Hip Room (in.) Front/Rear	52.0/51.3	52.0/51.3	52.0/51.3	52.0/51.3
Cargo Volume w/Rear Seat (cu ft)	68.9	74.1	68.9	74.1
Cargo Volume w/Rear Seat Folded (cu ft)	68.9	74.1	68.9	74.1
Load Floor Length w/Rear Seat (in.) at Belt/Floor	28.5/35.2	35.1/40.5	28.5/35.2	35.1/40.5
Load Floor Length w/Rear Seat Folded (in.) at Belt/Floor	63.8/68.1	70.6/74.6	63.8/68.1	70.6/74.6
Maximum Cargo Width @ Floor (in.)	38.1	38.1	38.1	38.1
Inside Width between Wheelhousings (in.)	38.1	38.1	38.1	38.1
Cargo Area Height (in.)	34.5	34.5	34.5	34.5

EXTERIOR EQUIPMENT (CONTINUED)

KEY: ■ = STANDARD, — = NOT INCLUDED		STANDARD	LS	LT
LAMP	Engine compartment and center high-mounted stop lamp.	■	■	■
LUGGAGE CARRIER	Black.	—	■	■
MIRRORS	RH and LH below-eye-line type, black. Head size 5.5" x 7.5".	■	■	■
MOLDING	Dark Gray body-side with bright insert and bright wheel opening lip. (Included w/4-door models w/YC5 and YC6). Black windshield surround.	—	■	■
PAINT	Solid (ZY1). Two-tone (ZY7).	■	■	■
TIRES	P205/75R15BW all-season steel-belted radials.	■	■	■
TRIM	Black taillight trim.	■	■	■
WHEELS	15.0" x 7.0" steel; argent w/black center cap and trim rings. 15.0" x 7.0" cast aluminum wheels.	—	■	■
WINDSHIELD WIPERS	Adjustable intermittent. With rear	■	■	■
WIRING	5-lead wiring harness for trailing purposes.	■	■	■
WINDOWS	Swingout rear quarter (2-door only).	■	■	—

INTERIOR EQUIPMENT

AIR BAG	Driver's side.	■	■	■
AIR CONDITIONING	Front.	■	■	■
CIGARETTE LIGHTER	Located on instrument panel, includes ashtray light. With two auxiliary outlets.	■	■	■
COAT HOOKS	LH and RH, rear seat and two in cargo area on (4-door only).	■	■	■
CONSOLE/OVERHEAD	2 cupholders, 2 tie-downs, 2 temperature gauges. Temperature gauge (4-door only).	—	—	■
CONSOLE SEAT SEPARATOR	Requires front bucket seats. Include dual cupholders. (2-door only)	■	■	—
CONVENIENCE NET	In cargo area.	—	■	■
DOMELAMP	Door and endgate-operated dome and front floor courtesy w/delayed entry feature.	■	■	■
DOOR PANELS	Color-keyed plastic with integral armrests and map pockets. Simulated leather with integral armrests and map pocket.	■	■	■
DOOR SILL PLATE	Black.	■	■	■
DOORS	Side door guard beams.	■	■	■
DRIVER'S CONVENIENCE GROUP	Power locks, mirrors and windows.	—	■	■
FLOOR COVERING	Color-keyed full floor carpeting and carpeted floor mats.	■	■	■
HEADLAMP WARNING BUZZER	Headlamps on.	■	■	■
HEADLINER	Full-foam with color-keyed cloth cover. Includes grab handles over all outboard passenger seating positions.	■	■	■
HEATER	Deluxe with side window defoggers.	■	■	■
HEATING DUCT	Rear seats.	■	■	■
INSTRUMENTS	Warning lights for seat belt, ABS/parking brake, direction/hazard signals and high-beam. Gauge packages include voltmeter, oil pressure and engine temperature gauge, trip odometer and speedometer.	■	■	■
INSULATION	Provided on dash panel, doors, floor and hood. Additional insulation on instrument panel and cowl-to-fender seal.	■	■	■
KEYLESS ENTRY	Remote.	—	—	■
KICK PANELS	Color-keyed cowl kick, carpeted lower rear quarter and endgate panels.	—	■	■
MIRRORS	10-inch rearview. 10-inch rearview with map lights.	■	■	—
RADIOS	ETR AM/FM Stereo with seat-belt sensor and digital clock, includes four speakers. ETR AM/FM Stereo cassette radio with seat-belt sensor, auto reverse, and digital clock. Includes four speakers.	■	—	—
SEATS	2-door: deluxe cloth buckets with manual lumbar adjust. 4-door: deluxe cloth 60/40 split bench with storage armrest and dual cupholders. (4-wheel drive model includes split rear seat). 2-door: premium cloth buckets with manual lumbar adjustment. Includes premium cloth door trim. 4-door: premium cloth 60/40 split bench with rear split bench seat. Includes premium cloth door trim. 4-door: Ultrasoft leather on seating surface reclining high back buckets with folding seat backs and rear split bench seat. Power lumbar, 4-way adjustable headrest and 6-way power adjustment for driver. NOTE: Scotchgard is standard on all cloth seats and door trim panels.	■	—	—

MODEL SELECTION SUMMARY

Use the chart below to choose the model that fits your customer's needs. Note that the Maximum Payload is based on curb weight. Also, the Maximum Gross Trailer Weight is based on vehicles that are properly equipped. See your 1995 Chevrolet Truck Order Guide for complete information.

SERIES	MODEL NUMBER/ BODY CODE/ OPTION CODE	PASSENGER CAPACITY (STD./OPT.)	STANDARD ENGINE/ TRANS.	OPTIONAL ENGINE/ TRANS.	GVWR (LB)	GAWR (LB) FRONT/ REAR	MAXIMUM PAYLOAD (LB) BASED ON CURB WT.	MAX. GROSS TRAILER WT./ TONGUE LOAD (LB) PROPERLY EQUIPPED
TWO-WHEEL DRIVE MODELS								
2-DOOR BLAZER	CS10516/ E55/Z83/QCA/QCE or Z85/QBF/QBG	2/4	4.3L V6/A4	—	4450	2200/2600	940	5500/650
4-DOOR BLAZER	CS10506/ E55/ZQ1/QCA/QCE or Z85/QBF	2/3/5/6	4.3L V6/A4	—	4850	2400/2800	1131 (ZQ1) 1184 (Z85)	5500/650
4-DOOR BLAZER	CS10506/E55 ZW7/QBF/QBG	2/3/5/6	4.3L V6/A4	—	4850	2400/2700	1131 (ZQ1) 1184 (Z85)	5500/650
FOUR-WHEEL DRIVE MODELS								
2-DOOR BLAZER	CT10516/ E55/Z83/ QCE	2/4	4.3L V6/A4	—	4785	2500/2600	953	5000/600
2-DOOR BLAZER	CT10516/E55 Z85/QBF/QBG/ QEB or ZM6/QEB	2/4	4.3L V6/A4	—	4850	2500/2700	981 (Z85) 942 (ZM6)	5000/600
4-DOOR BLAZER	CT10506/ E55/ZQ1/QCE or Z85/QBF/QBG/ QEB or ZW7/QBF/ QBG	5/6	4.3L V6/A4	—	5300	2700/2700 2700/2900	1131 (ZQ1) 1227 (Z85) 1227 (ZW7)	5000/600

N/A - Not available at time of publication.

POWERTRAINS

Chevrolet offers a variety of engines, transmissions and axle ratios for Blazer. The following charts detail basic engine, transmission and axle specifications. See your 1995 Chevrolet Truck Order Guide for specific details.

ENGINES	
	4.3L V6
Order Code	(L35)
Availability	All models
SAE Net Horsepower @ rpm	195 @ 4500
SAE Net Torque lb ft @ rpm	260 @ 3400
Fuel System	CPI
Clutch Size (in.)	—
Standard Battery Cold Cranking Amps @ 0° F	525
Standard Alternator Max. Cap. (Amps)	100

