

CHEVY VAN INTRODUCTION

CHEVY VAN

The Chevy Van is offered in three series: G10, G20 and G30.

Changes on the Chevy Van for 1995 include:

- Standard Two-Passenger seating
 - Standard AM/FM Stereo Radio with Digital Clock
 - 7.4L Engine enhancements
 - 5.7L Engine enhancements
 - 5.0L Engine enhancements
 - 4.3L Engine enhancements
 - Improved Electronic Speed Control
 - Improved Automatic Transmissions
 - Two New Exterior Colors
 - Optional Appearance Package that includes Chrome Grille and Bumpers
-

CHEVY VAN

MODEL SELECTION SUMMARY

Use the chart below to choose the model that fits your customer's needs. Note that the Maximum Payload is based on curb weight. Also, the Maximum Gross Trailer Weight is based on vehicles that are properly equipped. See your 1995 Chevrolet Truck Order Guide for details.

SERIES	MODEL NUMBER/ BODY CODE/ OPTION CODE	PASSENGER CAPACITY (STD./OPT.)	STANDARD ENGINE/ TRANS.	OPTIONAL ENGINE/ TRANS.	GVWR (LB)	GAWR (LB) FRONT/ REAR	MAXIMUM PAYLOAD (LB) BASED ON CURB WT.	MAX. GROSS TRAILER WT./ TONGUE LOAD (LB) PROPERLY EQUIPPED
G-SERIES CHEVY VAN								
G10 CHEVY VAN								
G10 SHORT WHEELBASE	CG11005/ ZW9	2/1	4.3L V6/A4	— 5.0L V8/A4	6000	3166/3166	2034	5000/600 5500/700
G10 REGULAR WHEELBASE	CG11305/ ZW9	2/1	4.3L V6/A4	— 5.0L V8/A4	6000	3166/3166	1716	5000/600 5500/700
G20 CHEVY VAN								
G20 SHORT WHEELBASE	CG21005/ ZW9	2/1	4.3L V6/A4	— 5.0L V8/A4	6600	3400/	2592	5000/600
G20 REGULAR WHEELBASE	CG21305/ ZW9	2/1	4.3L V6/A4	— 5.0L V8/A4 5.7L V8/A4	6600		2356	5000/600 6500/800 7000/800
G20 REGULAR WHEELBASE	CG21305/ ZW9/C6Q	2/1	5.7L V8/A4	— 6.5L V8/A4	6875			3500/600 6000/750
G30 CHEVY VAN								
G30 REGULAR WHEELBASE	CG31305/ ZW9	2/1	4.3L V6/A4	—	7100	3400/4380	2588	7500/700
G30 REGULAR WHEELBASE	CG31305/ ZW9/C6C	2/1	5.7L V8/A4	—	7400	3400/4380		8000/950
G30 REGULAR WHEELBASE HD	CG31305/ ZW9/C6P/ YHF	2/1	5.7L V8/A4	— 4.3L V6/A4 7.4L V8/A4 6.5L V8/A4	8600	3880/5360		8000/950 10000/1000 10000/1000
G30 REGULAR WHEELBASE HD	CG31305/ ZW9/C6W/ YHF	2/1	5.7L V8/A4	— 7.4L V8/A4 6.5L V8/A4	9200	4000/5360		8000/950 10000/1000 10000/850
G30 EXTENDED WHEELBASE	CG31605/ ZW9/YHF	2/1	5.7L V8/A4	—	8600	3880/5360	2633	8000/950
G30 EXTENDED WHEELBASE	CG31605/ ZW9/YHF	2/1	7.4L V8/A4	— 6.5L V8/A4	8600	4000/5360		10000/1000 10000/850
G30 EXTENDED WHEELBASE HD	CG31605/ ZW9/C6W/ YHF	2/1	5.7L V8/A4	— 7.4L V8/A4 6.5L V8/A4	9200	4000/5360		8000/950 10000/1000 10000/850

CHEVY VAN

POWERTRAINS

Chevrolet offers a variety of engines, transmissions and rear axle ratios for the Chevy Van. The following charts detail basic engine, transmission and axle specifications. See your 1995 Chevrolet Truck Order Guide for details.

ENGINES								
	4.3L V6	4.3L V6 HD	5.0L V8	5.7L V8	5.7L V8 HD	7.4L V8 HD	6.5L V8 DIESEL	6.5L V8 DIESEL HD
Order Code	LB4	LB4	L03	L05	L05	L19	L49	L57
Availability	Under 8501 lb GVW	Over 8500 lb GVW	G10/G20	G20 and G30 below 8600 lb	G30 8600 lb and above GVW	G30 8600 lb and above GVW	G20	G30 8600 lb and above GVW
SAE Net Horsepower @ rpm	4000	155 @ 4000	175 @ 4200	200 @ 4000	4000	230 @ 3600	155 @ 3600	160 @ 3400
SAE Net Torque lb ft @ rpm		230 @ 2400	265 @ 2400	310 @ 2400	2400	385 @ 1600	275 @ 1700	290 @ 1700
Fuel System	EFI	EFI	EFI	EFI	EFI	EFI	Indirect Fuel Injection	Indirect Fuel Injection
Standard Battery Cold Cranking Amps @ 0°F	600	600	600	600	600	600	2 @ 600 each	2 @ 600 each
Standard Alternator Max. Cap. (Amps)	100	100	100	100	100	100	100	100

TRANSMISSIONS		
	ELECTRONIC AUTOMATIC 4-SPEED OVERDRIVE W/TORQUE CONVERTER CLUTCH (4L60-E)	ELECTRONICALLY CONTROLLED AUTOMATIC 4-SPEED W/O HEAVY DUTY (4L80-E)
Availability	G10/G20 and G30 below 8600 lb GVW	G30 8600 lb GVW and above
Order Code	M30	MT1
Application	LB4/L03/L05/L49	LB4 HD/L05 HD/L19/L57
Gear Ratios		
First	3.06	2.48
Second	1.63	1.48
Third	1.00	1.00
Fourth	0.70	0.75
Reverse	2.29	2.08
Power Take-Off	No	No

REAR AXLES										
Availability	G10/G20		G30 Under 8600 lb GVW		G30 8600 lb GVW			G30 9200 lb GVW		
Make	GM		GM		GM			GM		
Capacity (lb)	3500 Semi-Floating		5700 Semi-Floating		5700 Full-Floating			6000 Full-Floating		
Pinion and Ring Gear Type	Hypoid		Hypoid		Hypoid			Hypoid		
Engine Availability *	LB4/L03 L05/L49	LB4/L03 L05/L49	L05	LB4	L19	L05/ L19/ L57	LB4/ L05/ L19/ L57	L19	L05/L19	L05/L19/ L57
Axle Ratio Code	GU6	GT4	GU5	GT4	GU6	GT4	GT5	GU6	GT4	GT5
Ratio	3.42	3.73	3.23	3.73	3.42	3.73	4.10	3.42	3.73	4.10
Pinion Teeth	12	11	13	11	12	11	10	12	11	10
Ring Gear Teeth	41	41	42	41	41	41	41	41	41	41
Ring Gear Diameter (in.)	8.5	8.5	9.5	9.5	10.5	10.5	10.5	10.5	10.5	10.5

Note: Axle Ratio availability depends on model, powertrain and emissions selected. See your 1995 Chevrolet Truck Order Guide for specific details.
* Engine applications are heavy duty (HD) at 8600 lb GVW or above.

CHEVY VAN

TRIM LEVELS

Chevrolet offers the Chevy Van in one trim level, "Standard." The following chart details major standard features. See your 1995 Chevrolet Truck Order Guide for more details.

CHASSIS EQUIPMENT		
KEY: ■ = STANDARD, — = NOT INCLUDED		STANDARD (ZWS)
BRAKES	Power-assisted, front disc, rear drum with four wheel anti-lock system. Includes brake/transmission shift interlock.	■
EXHAUST	Single.	■
FRAME	All-welded integral body-frame construction.	■
FUEL TANK	22 gallon (approx.) capacity located between frame rails behind rear axle; filler located left rear. 33 gallon (approx.) capacity standard on Extended wheelbase and optional on Regular wheelbase models; filler located left rear.	■
REAR AXLE	G10, G20 and G30 below 8600 lb GVW: hypoid, semi-floating. G30 at or above 8600 lb GVW: Hypoid, full-floating.	■
SHOCK ABSORBERS	Front and rear: 32mm G10, G20; 35mm G30.	■
STABILIZER BAR	Front: 1.06 inch.	■
STEERING	Integral Power.	■
SUSPENSIONS, FRONT	Independent w/coil springs.	■
SUSPENSIONS, REAR	Semi-elliptic, two-stage multi-leaf.	■
EXTERIOR EQUIPMENT		
BUMPERS	Front and rear painted silver. Front bumper guards.	■
DOORS	Driver and passenger front side, hinged side-loading doors and RH and LH rear load doors. Also includes front side door guard beams for added protection and strength.	■
DOOR STOPS	Rear door.	■
GLASS	Solar-Ray™ tinted.	■
GRILLE	Molded plastic and front lamp bezels painted light argent.	■
HEADLAMPS	Single halogen.	■
HORN	Dual note.	■
HUBCAPS	Bright metal with black trim.	■
LAMP	Center high-mounted stop lamp.	■
MIRRORS	RH and LH stainless steel below-eye-line type with pivoting arm and adjustable heads. 6.5" x 9.0".	■
MOLDINGS	Black body-side "rub strips".	■
TIRES	Number and size: G10: Five P215/75R15 Blackwall Steel-Belted Radial Ply. G20: Four P225/75R15 Blackwall Steel-Belted Radial Ply. G30 Below 8600 lb GVW: Four LT225/75R16D Highways. Steel-Belted Radial Ply BW. G30: At or above 8600 lb GVW: Four LT225/75R16E Highway Steel-Belted Radial Ply BW.	■ ■ ■ ■
UNDERCOATING	On body rocker panels, step panels and wheelhousings.	■
WHEELS	G10 and G20: five, 15.0" x 6.0" argent steel wheels and bright metal hubcaps w/black trim. G30: five, 16.0" x 6.5" argent steel wheels.	■ ■
INTERIOR EQUIPMENT		
ARMRESTS	LH and RH padded front doors.	■
CIGARETTE LIGHTER	With ashtray.	■
COAT HOOK	LH.	■
DOME LAMPS	Two with front door-actuated switches.	■
DRIVER'S FACIAL AIR BAG	Located in steering wheel hub (N/A on 8600 lb or 9200 lb GVWR models).	■
FLOOR COVERING	Embossed black rubber mat over front floor area and wheel housings on G11005 and G21005 models. Mat expands over entire floor area on all other models.	■
GAGES	Speedometer, odometer, fuel level, oil pressure, voltmeter, engine temperature, and trip odometer.	■
HEADLAMP WARNING BUZZER	Standard	■
HEADLINER	Mystic-colored perforated hardboard headliner in driver's area.	■

CHEVY VAN

INTERIOR EQUIPMENT (CONT.)		STANDARD (ZW9)
KEY: ■ = STANDARD, — = NOT INCLUDED		
HEATER	Deluxe outside air heater with windshield and side window defoggers.	■
MIRROR	10-inch rearview.	■
PARCEL TRAY	On top surface of instrument panel extension, includes beverage holder provisions.	■
RADIO	Electronically tuned AM/FM stereo radio with two 4" x 6" front dash speakers, digital clock and fixed mast antenna.	■
SEATS	Two front high-back adjustable custom vinyl bucket seats.	■
SPARE TIRE CARRIER	Located at rear on RH side.	■
SPARE TIRE/WHEEL	Full-size, mounted on RH rear interior side of rear floor when specified.	■
STEERING WHEEL	Black, vinyl.	■
STEP PADS	Safety, on front and rear side door step panels.	■
SUNSHADES	RH and LH padded, color-keyed vinyl.	■
TOOLS	Includes scissor-type jack and wheel wrench located at RH rear of vehicle.	■
WINDSHIELD WIPERS	Intermittent.	■

PREFERRED EQUIPMENT GROUPS

Preferred Equipment Groups (PEGs) are convenient option packages that can save your customers money. They would pay appreciably more by buying all the options in a Preferred Equipment Group as individual options. (Savings based on a comparison of Manufacturer's Suggested Retail Price of option packages versus MSRP of individual options purchased separately). See your 1995 Chevrolet Truck Order Guide and Vehicle Price Schedule for specific information and prices.

OPTIONS

These options can be ordered individually in addition to the Preferred Equipment Groups if not already included. See your 1995 Chevrolet Truck Order Guide for specific availability and restrictions. The Option Code is listed in **bold type**.

Air Conditioning (front only)	C60
Air Conditioning (front and rear)	C69
Appearance Package, (includes chrome grille and bumpers)	ZR7
Axes, Rear	
3.23	GU5
3.42	GU6
3.73	GT4
4.10	GTS
Axle, Rear Locking Differential	G80
Bumpers, Front and Rear Chromed	V37
Cold Climate Package (includes Engine Block Heater)	V10
Convenience Group: Tilt-Wheel™ Steering, and Electronic Speed Control	ZQ3
Power Door Locks and Power Windows	ZQ2
Cooling System Heavy Duty (included w/Z82 trailer)	V08
Defogger, Rear Window	C49
Door Locking System, Power	AU3
Door, Sliding Door, Side	YA2
Emissions:	
Federal	FE9
High Altitude	NA6
California	YF5
Massachusetts	NG1
Federal/High Altitude Emissions Override	NC7
Cal. Mass. Emissions Override	NB8

Engines:	
4.3L EFI V6	LB4
4.3L EFI V6 HD	LB4
5.0L EFI V8	L03
5.7L EFI V8	L05
5.7L EFI V8 HD	L05
7.4L EFI V8	L19
6.5L I/FI V8 Diesel	L49
6.5L I/FI V8 Diesel HD	L57
Alternative Fuel	KL5
Glass	
Full Body (six windows)	A07
RH Rear Body Side (fixed glass for RH rear quarter panel)	A08
Rear Door Fixed	A12
Rear Door Swing-out	A18
Fixed Package (includes fixed rear door and side door glass)	ZW3
Swing-out Package (incl. swing-out rear door and side door glass)	ZX6
GVWR Ratings:	
6000 lb	C5J
6600 lb	C5S
6875 lb	C6Q
7100 lb	C5Y
7400 lb	C6C
8600 lb	C6P
9200 lb	C6W
Heater, Auxiliary Rear	C36
Lighting, Auxiliary (includes front/rear dome reading lamps, underhood lamp)	TR9
Molding, Delete (Reqs. B3D)	B98

Paint, Exterior:	
Solid	ZY1
Radio	
Radio Delete	UL5
ETR AM/FM Stereo Radio w/ Seek-Scan, Digital Clock, Stereo Cassette, Premium Front speakers & wiring for rear speakers	UM6
Recreational Seats Package, Vehicle Uplifter™ For information purposes only. *YF7 is available for ordering through authorized CQACP manufacturers only.)	YF7
School Bus Chassis Equipment (Reqs. C6W/9220= GVWR)	B3D
Tank, Fuel (33 gallon (approx.) capacity, standard on G60 Ext. wheelbase)	NL7
Trailer Package Heavy-Duty (includes hitch platform, HD flasher & seven-wire harness)	Z82
Transmissions:	
4-Speed Electronic Automatic with Overdrive	M30
Heavy-Duty 4-Speed Electronic Automatic with overdrive	MT1
Wheels	
Rally (includes matching spare)	N67
Wheel Covers (bright metal, 4" cover)	P01

CHEVY VAN

TIRES

KEY: ALS = ALL-SEASON SBR = STEEL-BELTED RADIAL PLY BW = BLACKWALL WW = WHITEWALL WL = WHITE LETTERED
WOL = WHITE OUTLINE LETTERED

TIRE DESCRIPTION	FRONT	REAR	SPARE	
P215/75R15	ALS/SBR/BW	XCU	YCU	ZCU
P215/75R15	ALS/SBR/WW	XCV	YCV	ZCV
P215/75R15	ALS/SBR/WOL	XCM	YCM	ZCM
P225/75R15	ALS/SBR/BW	XET	YET	ZET
P225/75R15	ALS/SBR/WW	XEU	YEU	ZEU
P225/75R15	ALS/SBR/WL	XEV	YEV	ZEV
P235/75R15	ALS/SBR/BW	XFL	YFL	ZFL
P235/75R15	ALS/SBR/WS	XFM	YFM	ZFM
LT225/75R16D	ALS/SBR/BW	XHP	YHP	ZHP
LT225/75R16E	ALS/SBR/BW	XHF	YHF	ZHF

DIMENSIONS

SERIES	G10		G20		G30		
	CHEVY VAN SHORT WHEELBASE	CHEVY VAN REGULAR WHEELBASE	CHEVY VAN SHORT WHEELBASE	CHEVY VAN REGULAR WHEELBASE	CHEVY VAN REGULAR WHEELBASE	CHEVY VAN REGULAR WHEELBASE	CHEVY VAN EXTENDED WHEELBASE
MODEL NUMBER	CG11005/ZW9	CG11305/ZW9	CG21005/ZW9	CG21305/ZW9	CG31305/ZW9 C7/C6W	CG31305/ZW9/ C6P/C6W	CG31605/ZW9/ C6P/C6W

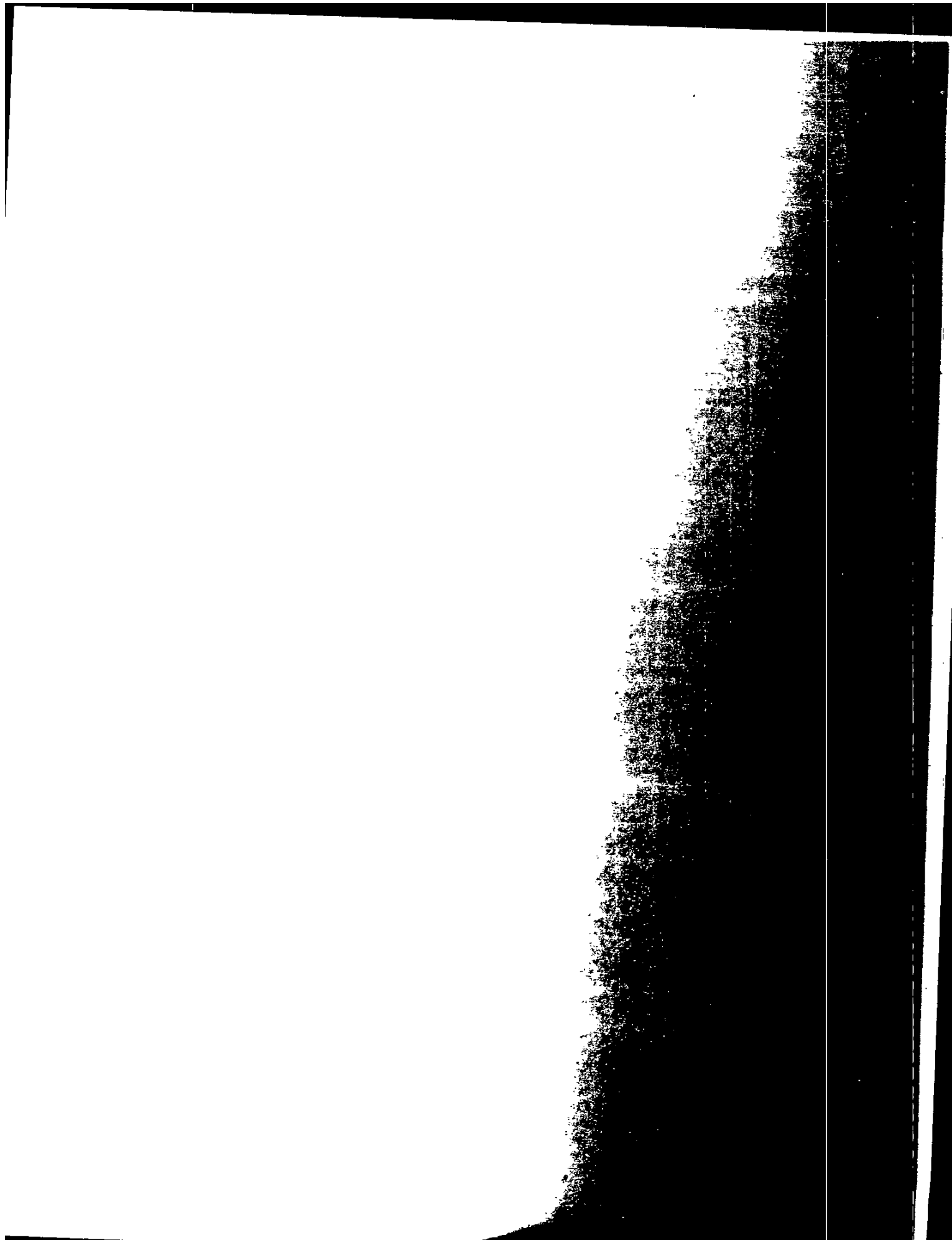
EXTERIOR DIMENSIONS

BODY	G10	G20	G20	G20	G30	G30	G30
Wheelbase (in.)	110.0	125.0	110.0	125.0	125.0	125.0	146.0
Overall Length (in.)	180.1	204.1	180.1	204.1	204.1	204.1	225.1
Overall Height (in.)	—	—	—	—	—	—	—
Maximum Width (in.)	79.5	79.5	79.5	79.5	79.5	79.5	79.5
Bumper to Axle							
Front (in.)	29.6	29.6	29.6	29.6	29.6	29.6	29.6
Rear (in.)	38.5	47.5	38.5	47.5	47.5	47.5	47.5
Ground to Top of Rear Load Floor (in.)	—	—	—	—	—	—	—
Ground Clearance Front/Rear (in.)							
Gas	6.9/7.8	6.8/7.6	8.3/9.1	8.1/8.8	10.2/8.0	10.8/8.5	9.1/9.6
Diesel	—	—	—	8.4/9.4	—	8.4/8.5	9.1/9.6
Side Load Door Sliding (YA2)							
Opening Height (in.)	49.3	49.3	49.3	49.3	49.3	49.3	—
Opening Width (in.)	44.2	44.2	44.2	44.2	44.2	44.2	—
Side Load Door Swing-Out (E24)							
Opening Height (in.)	48.5	48.5	48.5	48.5	48.5	48.5	48.5
Opening Width (in.)	—	—	—	—	—	—	—
—Both Doors Open	46.7	46.7	46.7	46.7	46.7	46.7	46.7
—Large Door Only	31.0	31.0	31.0	31.0	31.0	31.0	31.0
—Small Door Only	22.0	22.0	22.0	22.0	22.0	22.0	22.0
Rear Load Door							
Opening Height (in.)	48.9	48.9	48.9	48.9	48.9	48.9	48.9
Opening Width (in.)	54.4	54.4	54.4	54.4	54.4	54.4	54.4
Turning Diameter Curb-to-Curb (ft)	41.3	45.9	41.3	46.0	48.5	48.5	54.0
SIGN PANEL AREA (in.)	51.25 x 94	51.25 x 118.5	51.25 x 94	51.25 x 118.5	51.25 x 118.5	51.25 x 118.5	51.25 x 139.5

CHEVY VAN

DIMENSIONS (CONT.)

SERIES	G10		G20		G30		
MODEL	CHEVY VAN SHORT WHEELBASE	CHEVY VAN REGULAR WHEELBASE	CHEVY VAN SHORT WHEELBASE	CHEVY VAN REGULAR WHEELBASE	CHEVY VAN REGULAR WHEELBASE	CHEVY VAN REGULAR WHEELBASE	CHEVY VAN EXTENDED WHEELBASE
MODEL NUMBER	CG11005/ZW9	CG11305/ZW9	CG21005/ZW9	CG21305/ZW9	CG31305/ZW9 C5V/C6C	CG31305/ZW9/ C6P/C6W	CG31605/ZW9/ C6P/C6W
INTERIOR DIMENSIONS							
Headroom Front (in.)	40.8	40.8	40.8	40.8	40.8	40.8	40.8
Legroom Front (in.)	39.5	39.5	39.5	39.5	39.5	39.5	39.5
Shoulder Room Front (in.)	68.8	68.8	68.8	68.8	68.8	68.8	68.8
Hip Room Front (in.)	69.7	69.7	69.7	69.7	69.7	69.7	69.7
Load Floor Length (in.) w/Front Seats	102.5	126.5	102.5	126.5	126.5	126.5	147.5
Inside Width at Beltline (in.)	70.8	70.8	70.8	70.8	70.8	70.8	70.8
Inside Width between Wheelhousings (in.)	53.5	53.5	53.5	53.5	53.5	53.5	53.5
Interior Height (in.)	53.7	53.8	53.7	53.8	53.8	53.8	53.8
Cargo Volume w/Front Seat (cu ft)	207.0	260.0	207.0	260.0	260.0	260.0	306.0



SPORTVAN INTRODUCTION

SPORTVAN

The Sportvan is offered in two series: G20 and G30. Sportvan also has two trim levels available: "Standard" and "Beauville."

Changes on the Sportvan for 1995 include:

- Power Door Locks, included with Beauville Trim
 - Power Windows, included with Beauville Trim
 - Electronic Speed Control, included with Beauville Trim
 - Tilt-Wheel™, included with Beauville Trim
 - Electric Below-Eye-Line type Outside Electric Mirrors, included with Beauville Trim
 - Standard AM/FM Stereo Radio with Digital Clock
 - 7.4L Engine enhancements
 - 5.0L Engine enhancements
 - 5.7L Engine enhancements
 - 4.3L Engine enhancements
 - Improved Electronic Speed Control
 - Automatic Transmission improvements
 - Two New Exterior Colors
-

SPORTVAN

MODEL SELECTION SUMMARY

Use the chart below to choose the model that fits your customer's needs. Note that the Maximum Payload is based on curb weight. Also, the Maximum Gross Trailer Weight is based on vehicles that are properly equipped. See your 1995 Chevrolet Truck Order Guide for details.

SERIES	MODEL NUMBER/ BODY CODE/ OPTION CODE	PASSENGER CAPACITY (STD./OPT.)	STANDARD ENGINE/ TRANS.	OPTIONAL ENGINE/ TRANS.	GVWR (LB)	GAWR (LB) FRONT/ REAR	MAXIMUM PAYLOAD (LB) BASED ON CURB WT.	MAX. GROSS TRAILER WT./ TONGUE LOAD (LB) PROPERLY EQUIPPED
G-SERIES SPORTVAN								
G20 SPORTVAN								
G20 REGULAR WHEELBASE	CG21306/ ZW9 N/A FL Tires	8/5	4.3L V6/A4	— 5.0L V8/A4 5.7L V8/A4	6600	3400/3406	2031	5000/600 6500/800
G20 REGULAR WHEELBASE	CG21306/ ZW9	8/5	5.7L V8/A4	— 6.5L V8/A4	6875	/3500	2174	6000/750
G30 SPORTVAN								
G30 REGULAR WHEELBASE	CG31306/ ZW9	12/8	5.7L V8/A4	—	7400	3400/4380	2345	
G30 REGULAR WHEELBASE HD	CG31306/ ZW9/C6P Reqs. YHF Tires	12/8	5.7L V8/A4	— 7.4L V8/A4 6.5L V8/A4	8600	3880/5360	3432	8000/950 10000/1000
G30 REGULAR WHEELBASE HD	CG31306/ ZW9/C6W Reqs. YHF Tires	12/8	5.7L V8/A4	— 7.4L V8/A4 6.5L V8/A4	9200	4000/5360	3879	8000/950 10000/1000
G30 EXTENDED WHEELBASE	CG31606/ ZW9/C6P Reqs. YHF Tires	12/15	5.7L V8/A4	— 7.4L V8/A4 6.5L V8/A4	8600	3880/5360	2957	8000/950 10000/1000
G30 EXTENDED WHEELBASE	CG31606/ ZW9/C6W Reqs. YHF Tires	12/15	5.7L V8/A4	— 7.4L V8/A4 6.5L V8/A4	9200	4000/5360	3414	8000/950 10000/1000

POWERTRAINS

Chevrolet offers a variety of engines, transmissions and rear axle ratios for the Sportvans. The following charts detail basic engine, transmission and axle specifications. See your 1995 Chevrolet Truck Order Guide for details.

	ENGINES						
	4.3L V6	5.0L V8	5.7L V8	5.7L V8 HD	7.4L V8 HD	6.5L V8 DIESEL	6.5L V8 DIESEL HD
Order Code	LB4	L03	L05	L05	L19	L49	L57
Availability	G20	G20	G20 and G30 below 8600 lb GVW	G30 3500 lb and above GVW	G30 8600 lb and above GVW	G20	G30 8600 lb and above GVW
SAE Net Horsepower @ rpm	@ 4000	175 @ 4200	200 @ 4000	@ 4000	230 @ 3600	155 @ 3600	160 @ 3400
SAE Net Torque lb ft @ rpm		265 @ 2400	310 @ 2400	@ 2400	385 @ 1600	275 @ 1700	290 @ 1700
Fuel System	EFI	EFI	EFI	EFI	EFI	Indirect Fuel Injection	Indirect Fuel Injection
Standard Battery Cold Cranking Amps @ 0° F	600	600	600	600	600	2 @ 600 each	2 @ 600 each
Standard Alternator Maximum Capacity (Amps)	100	100	100	100	100	100	100

SPORTVAN

TRANSMISSIONS		
	ELECTRONICALLY CONTROLLED AUTOMATIC 4-SPEED W/OD AND TORQUE CONVERTER CLUTCH (4L60-E)	ELECTRONICALLY CONTROLLED AUTOMATIC 4-SPEED W/OD HD (4L80-E)
Order Code		
Availability	G20 and G30 below 8600 lb GVW	G30 8600 lb GVW and above
Engine Availability	LB4/L03/L05/L49	L19 HD/L05 HD/L57
Gear Ratios		
First	3.06	2.48
Second	1.63	1.48
Third	1.00	1.00
Fourth	0.70	0.75
Fifth	—	—
Reverse	2.29	2.08
Power Take-Off	No	No

REAR AXLES									
Availability	G20		G30 under 8600 lb GVW	G30 8600 lb GVW			G30 9200 lb GVW		
Make	GM		GM	GM			GM		
Capacity (lb)	3500		5700	5700 Full-Floating			6000 Full-Floating		
Pinion and Ring Gear Type	Hypoid		Hypoid	Hypoid			Hypoid		
Engine Availability *	LB4/ L03/ L05/ L49	LB4/ L03/ L05/ L49	L05	L19	L05/L19/ L57	L05/ L19/ L57	L19	L19	L05/L19 L57
Axle Ratio Code	GU6	GT4	GU5	GU6	GT4	GT5	GU6	GT4	GT5
Ratio	3.42	3.73	3.23	3.42	3.73	4.10	3.42	3.73	4.10
Pinion Teeth	12	11	13	12	11	10	12	11	10
Ring Gear Teeth	41	41	42	41	41	41	41	41	41
Ring Gear Diameter (in.)	8.5	8.5	9.5	10.5	10.5	10.5	10.5	10.5	10.5

Note: Axle Ratio depends on model, powertrain and emissions selected. See your 1995 Chevrolet Truck Order Guide.
 * Engine applications are heavy-duty (HD) at 8600 lb GVW or above.

TRIM LEVELS

Chevrolet offers the Sportvan in two trim levels: "Standard" and "Beauville." The following chart details major standard features. See your 1995 Chevrolet Truck Order Guide for details.

CHASSIS EQUIPMENT		STANDARD (ZV9)	BEAUVILLE (E94)
KEY: ■ = STANDARD, — = NOT INCLUDED			
BRAKES	Power-assisted front disc, rear drum; with four-wheel anti-lock system. Includes brake/transmission shift interlock.	■	■
EXHAUST	Single.	■	■
FRAME	All-welded integral body-frame construction.	■	■
FUEL TANK	33 gal. (approx.) capacity; located between frame rails behind rear axle.	■	■
REAR AXLE	G20 and G30 below 8600 lb GVW: hypoid, semi-floating. G30 above 8600 lb GVW: hypoid, full-floating.	■	■
SHOCK ABSORBERS	Front and rear: 32 mm G20; 35 mm on G30.	■	■
STABILIZER BAR	Front 1.06 inch	■	■
STEERING	Integral power.	■	■
SUSPENSION, FRONT	Independent w/ coil springs.	■	■
SUSPENSION, REAR	Semi-elliptic, two-stage multi-leaf.	■	■

SPORTVAN

EXTERIOR EQUIPMENT		STANDARD (ZWo)	BEAUVILLE (E04)
KEY: ■ = STANDARD, — = NOT INCLUDED			
BUMPERS	Front and rear bright appearance with front bumper guards.	■	■
DOORS	Driver and passenger front side, choice of 60/40 hinged side-loading doors (E24) or sliding side-loading door (Y42), and RH and LH rear-load doors. Also includes front side door guard beams for added protection and strength.	■	■
DOOR STOPS	Rear door.	■	■
GLASS (FRONT TO REAR)	Includes windshield, front doors, LH swing-out quarter glass, RH and LH rear quarter glass, and LH and RH rear door swing-out glass.	■	■
GRILLE	Light argent molded with chrome accent. Chrome.	■	—
HEADLAMPS	Single halogen. Dual rectangular halogen.	■	—
HORN	Dual low- and high-note.	■	■
LAMP	Center high-mounted stop lamp.	■	■
MIRRORS	RH and LH stainless steel below-eye-line type with pivoting arm and adjustable heads. Head size 6.5" x 9.0". RH and LH electric below-eye-line type. Head size 6.5" x 9.0".	■	—
MOLDINGS	Black body-side. Black body-side with bright strip and bright wheel opening moldings.	■	—
TIRES	Four steel-belted radials. Size: G20 Gas: P225/75R15 blackwall steel-belted radial ply. G20 Diesel: P235/75R15 blackwall steel-belted radial ply. G30 Below 8600 GVW: LT225/75R16D blackwall steel-belted radial ply. G30 - 8600 GVW: LT225/75R16E blackwall steel-belted radial ply.	■ ■ ■ ■	■ ■ ■ ■
UNDERCOATINGS	On body rocker panels, step panels and wheelhouseings.	■	■
WHEELS	G20: five, 15.0" x 6.0" argent steel wheels with bright metal hubcaps with black trim. G30: five, 16.0" x 6.5" argent steel wheels.	■ ■	■ ■
WINDOWS	Solar-Ray tinted glass.	■	■

INTERIOR EQUIPMENT		STANDARD (ZWo)	BEAUVILLE (E04)
ASSIST HANDLE	Located on back of front passenger seat.	■	■
ARMRESTS	Padded RH and LH front door and rear seat.	■	■
ASHTRAY	Instrument panel and front bucket seat backs.	■	■
BEVERAGE HOLDERS	Parcel tray and top surface of instrument panel extension.	■	■
CIGARETTE LIGHTER	Includes ashtray lamp.	■	■
COAT HOOKS	LH. LH, RH and rear.	■	—
DOOR LOCKS	Power.	—	■
DOOR TRIM PANELS	Color-keyed cloth on front doors, sliding side door and sidewalls. Includes carpeting on lower areas. Rear doors include color-keyed cloth with carpeting on lower areas.	■	■
DRIVER'S FACIAL AIR BAG	Located in steering wheel hub (N/A on models at or above 8600 lb GVWR).	■	■
FLOOR COVERING	Embossed black rubber mats over entire floor area and front wheelhouseings. Color-keyed carpeting with Scotchgard™ over entire floor area with color-keyed rubber front and rear floor mats.	■	—
GAGES	Speedometer, odometer, fuel level, oil pressure, voltmeter, engine temperature and trip odometer.	■	■
HEADLAMP WARNING BUZZER	Headlamps on.	■	■

SPORTVAN

INTERIOR EQUIPMENT (CONT.)

KEY: ■ = STANDARD, — = NOT INCLUDED		STANDARD (ZW9)	BEAUVILLE (E94)
HEADLINER	Full-length with garnish moldings. Full-length cloth with garnish moldings.	■ —	— ■
HEATER	Includes windshield and side window defoggers.	■	■
INSTRUMENT PANEL	Brushed finish applique around cluster area.	—	■
INSULATION	Instrument panel, front floor panel, engine cover front extension and inside engine cover. Instrument panel, front floor panel, engine cover front extension and inside engine cover. Also, above headliner and on wheelhousings.	■ —	— ■
LAMPS	Front and rear dome lamps with front door-actuated switches. Front reading lamps.	■ —	■ ■
MIRROR	10-inch rearview.	■	■
RADIO	Electronically-tuned AM/FM stereo radio with two 4" x 6" front dash speakers, digital clock and fixed mast antenna. Brushed finish applique around radio.	■ —	■ ■
SEATS, FRONT	Two high-back custom vinyl adjustable bucket seats.	■	■
SEATS, REAR	Two; 3-passenger removable custom vinyl bench seats on G21306. Two; 3-passenger and one 4-passenger removable custom vinyl bench seats for 12-passenger seating on G30 models	■ ■	■ ■
SPARE TIRE CARRIER	Located at RH rear side of vehicle.	■	■
SPARE TIRE/WHEEL	Full-size, mounted on RH rear interior side of rear floor. G10 models include full-size wheel and tire that match others ordered. G20 and G30 models include only full-size wheel that matches others ordered.	■	■
SPARE TIRE COVER	Located at RH rear side of vehicle.	—	■
SPEED CONTROL	Electronic.	—	■
STEERING	Tilt-Wheel™.	—	■
STEERING WHEEL	Black, vinyl.	■	■
STEP WELL MATS	Embossed black rubber for top surface of front and rear door step wells.	—	■
STEP PADS	Safety, on front and rear side-door step panels.	■	■
STORAGE COMPARTMENT	Locking, under front passenger seat.	—	■
SUNSHADES			—
TOOLS	Includes scissor-type jack and wheel wrench located at RH rear of vehicle.	■	■
WINDOWS	Power.	—	■
WINDSHIELD WIPERS	Intermittent.	■	■

PREFERRED EQUIPMENT GROUPS

Preferred Equipment Groups (PEGs) are convenient option packages that can save your customers money. They would pay appreciably more by buying all the options in a Preferred Equipment Group as individual options. (Savings based on a comparison of Manufacturer's Suggested Retail Price of option packages versus MSRP of individual options purchased separately.) See your 1995 Chevrolet Truck Order Guide and Vehicle Price Schedule for specific information and prices.

OPTIONS

These options can be ordered individually in addition to the Preferred Equipment Groups if not already included. See your 1995 Chevrolet Truck Order Guide for specific availability and restrictions. The Option Code is listed in **bold type**.

Air Conditioning (front only)	C60	5.7L EFI V8	L05	ETR AM Stereo/FM Stereo Radio w/ Seek-Scan, Compact Disc Player, Digital Clock and four premium speakers	U1C
Air Conditioning (front and rear)	C69	7.4L EFI V8	L19	Seating:	
Antenna, Power	U75	6.5L IFI V8 Diesel	L49	Rear: Additional four passenger rear seat (15-passenger seating, G31606 only)	ZP3
Axles, Rear		6.5L IFI V8 Diesel HD	L57	Auxiliary Seat Not Desired	YG4
3.23	GU5	Alternative Fuel (LPG or CNG Conversion Ready)	KL5	Reclining Bucket Seats, Custom Cloth (requires E94 Beauville Trim)	A95
3.42	GU6	Glass, Deep-Tinted	AJ1	Spare Tire	
3.73	GT4	GVWR Ratings:		Not desired	R6Z
4.10	GT5	6600 lb	C5S	Steering Wheel, Leather-wrapped	NP5
Axle, Rear Locking Differential	G80	6875 lb	C6Q	Trailer Package Heavy-Duty (includes platform hitch, HD flasher and seven-wire harness)	Z82
Cold Climate Package (includes Engine Block Heater)	V10	7400 lb	C6C	Transmissions:	
Cooling System		8600 lb	C6P	Electronic 4-speed Automatic with Overdrive, Torque Converter Clutch	M30
Heavy Duty (included with Z82 trailer w/L05, L03 or LB4 engine) ...	V08	9200 lb	C6W	Electronically controlled 4-speed Automatic with Overdrive, heavy- duty	MT1
Decor, Beauville	E94	Heater, Auxiliary Rear Seat	C36	Wheels, Aluminum (G21306 only)	N90
Defogger, Rear Window	C49	Keyless Entry System, Remote (remote door lock/unlock functions with illuminated entry and headlamp delay)	AX3	Wheels, Rally (includes matching spare wheel)	N67
Door: Sliding Side Door	YA2	Lighting, Auxiliary (includes front/rear dome and reading lamps, underhood lamp) ...	TR9	Wheel Covers (bright metal, full cover)	P01
Door Locking System, Power	AU3	Mirrors, Lighted Visor Vanity (located on LH and RH visors)	DH6		
Emissions:		Paint, Exterior:			
Federal	FE9	Solid	ZY1		
High Altitude	NA6	Radio Equipment			
California	YF5	Radio Delete	UL5		
Massachusetts	NG1	ETR AM/FM Stereo Radio w/ Seek-Scan, Digital Clock, Stereo Cassette and four speakers	UM6		
Federal/High Altitude Emissions Override	NC7				
Cal./Mass. Emissions Override	NB8				
Engines:					
4.3L EFI V6	LB4				
5.0L EFI V8	L03				

TIRES

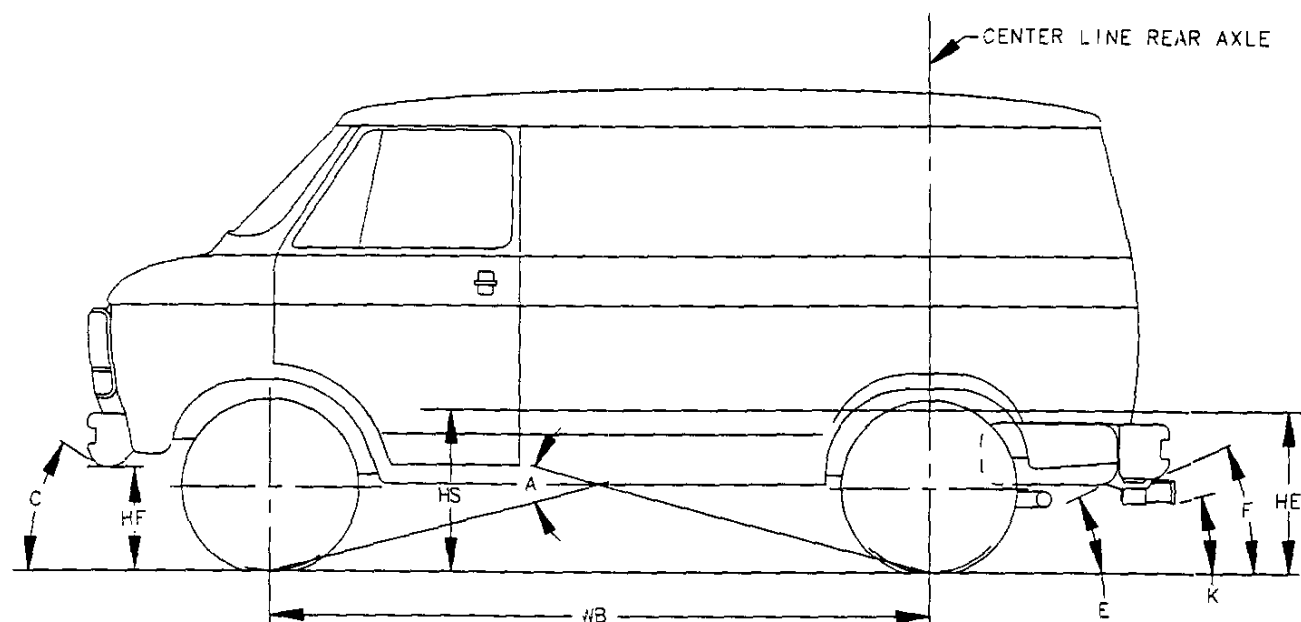
KEY: ALS = ALL-SEASON SBR = STEEL-BELTED RADIAL PLY BW = BLACKWALL WW = WHITEWALL WL = WHITE LETTERED WS = WHITE STRIPE				
TIRE DESCRIPTION		FRONT	REAR	SPARE
P225/75R15	ALS/SBR/WW	XEU	YEU	ZEU
P225/75R15	ALS/SBR/BW	XET	YET	ZET
P225/75R15	ALS/SBR/WL	XEV	YEV	ZEV
P235/75R15	ALS/SBR/BW	XFL	YFL	ZFL
P235/75R15	ALS/SBR/WS	XFM	YFM	ZFM
LT225/75R16E	ALS/SBR/BW	XHF	YHF	ZHF
LT225/75R16D	ALS/SBR/BW	XHP	YHP	ZHP

SPORTVAN

DIMENSIONS

SERIES	G20		G30	
MODEL	SPORTVAN/ BEAUVILLE REGULAR WHEELBASE GAS/DIESEL		SPORTVAN/ BEAUVILLE REGULAR WHEELBASE GAS/DIESEL	
MODEL NUMBER	CG21306/ ZW9-E94		CG31306/ ZW9-E94 CG31606/ ZW9-E94 C6P-C6W	
EXTERIOR DIMENSIONS				
BODY				
Wheelbase (in.)	125.0	125.0	146.0	
Overall Length (in.)	204.1	204.1	225.1	
Overall Height (in.) Nominal	79.5	79.5	79.5	
Maximum Width (in.)	79.5	79.5	79.5	
Bumper to Axle				
Front (in.)	29.6	29.6	29.6	
Rear (in.)	47.5	47.5	47.5	
Ground to Top of Rear Load Floor (in.)	27.3	28.3	30.1	
Ground Clearance				
Front (in.)				
Rear (in.)			9.6	
Side Load Door Sliding				
Opening Height (in.)	49.3	49.3	—	
Opening Width (in.)	44.2	44.2	—	
Side Load Door Swing-Out				
Opening Height (in.)	48.5	48.5	48.5	
Opening Width (in.)				
— Both Doors Open	46.7	46.7	46.7	
— Large Door Only	31.0	31.0	31.0	
— Small Door Only	22.0	22.0	22.0	
Rear Load Door				
Opening Height (in.)	48.8	48.8	48.8	
Opening Width (in.)	54.4	54.4	54.4	
Turning Diameter				
Curb-to-Curb (ft)	46.0	48.5	54.0	
SIGN PANEL AREA (in.)				
Shaded Area	29.0 x 121.5	29.0 x 121.5	29.0 x 142.5	

INTERIOR DIMENSIONS				
Headroom				
Front/Middle 1	40.8/40.9	40.8/40.9	40.8/40.9	
Middle 2/Rear (in.)	40.7/—	40.7/40.1	40.7/40.1	
Legroom				
Front/Middle 1	39.5/37.2	39.5/37.2	39.5/37.2	
Middle 2/Rear (in.)	39.5/—	39.5/40.5	39.5/40.5	
Shoulder Room				
Front/Middle 1	68.8/63.5	68.8/63.5	68.8/63.5	
Middle 2/Rear (in.)	63.5/—	63.5/71.0	63.5/71.0	
Hip Room				
Front/Middle 1	69.7/51.5	69.7/51.5	69.7/51.5	
Middle 2/Rear (in.)	51.5/—	51.5/63.0	51.5/63.0	
Load Floor Length (in.)				
w/Front Seats	126.5	126.5	147.5	
w/Front, Middle Seat 1	91.7	91.7	112.7	
w/Front, Middle 1, Middle 2	58.7	58.7	81.1	
Inside Width at Beltline (in.)	71.0	71.0	71.0	
Inside Width between Wheelhousings (in.)	53.5	53.5	53.5	
Interior Height (in.)	53.0	53.0	53.0	
Cargo Volume				
w/Driver's Seat (cu ft)	260.0	260.0	306.0	



HEIGHTS AND LENGTHS

- HF** Bottom of bumper to ground
- HE** Top of rear floor load height
- HS** Floor height at H-point

ANGLE(S)

- A** Ramp breakover

ANGLE(S) (APPROACH)

- C** Front bumper

ANGLE(S) (DEPARTURE)

- E** Fuel tank
- F** Rear bumper
- K** Platform hitch

G Models

G11005 110.0" Wheelbase						Heights at Base Model Curb Weight			Heights and Angular Dimension are shown at Maximum GAWR Front and Rear							
GVW/Tire	Base Model Curb Weight			GAWR		HF	HE	HS	HF	HE	HS	A	C	E	F	K
	Frt	Rr	Ttl	Frt	Rr											
6000 P215/75R15	2208	1764	3972	3166	3166	14.9	27.1	25.1	12.1	24.4	22.6	21	27	33	24	15

G11305 125.0" Wheelbase						Heights at Base Model Curb Weight			Heights and Angular Dimension are shown at Maximum GAWR Front and Rear							
GVW/Tire	Base Model Curb Weight			GAWR		HF	HE	HS	HF	HE	HS	A	C	E	F	K
	Frt	Rr	Ttl	Frt	Rr											
6000 P215/75R15	2279	1982	4261	3166	3166	14.8	26.8	24.8	12.2	24.5	22.3	18	27	22	19	12

G21005 110.0" Wheelbase						Heights at Base Model Curb Weight			Heights and Angular Dimension are shown at Maximum GAWR Front and Rear								
GVW/Tire	Base Model Curb Weight			GAWR		HF	HE	HS	HF	HE	HS	A	C	E	F	G	K
	Frt	Rr	Ttl	Frt	Rr												
6600 P225/75R15	2196	1737	3933	3400	3406	16.0	28.2	26.2	12.6	25.1	23.0	24	28	35	25	31	17

G21305 125.0" Wheelbase						Heights at Base Model Curb Weight			Heights and Angular Dimension are shown at Maximum GAWR Front and Rear							
GVW/Tire	Base Model Curb Weight			GAWR		HF	HE	HS	HF	HE	HS	A	C	E	F	K
	Frt	Rr	Ttl	Frt	Rr											
6600 P225/75R15	2300	1911	4211	3400	3406	15.9	28.0	25.4	12.7	25.3	22.9	19	28	24	20	14
6875 P235/75R15	2458	1944	4402	3670	3500	15.5	28.2	25.8	12.8	25.4	23.0	19	28	24	20	14

G21306 125.0" Wheelbase						Heights at Base Model Curb Weight			Heights and Angular Dimension are shown at Maximum GAWR Front and Rear							
GVW/Tire	Base Model Curb Weight			GAWR		HF	HE	HS	HF	HE	HS	A	C	E	F	K
	Frt	Rr	Ttl	Frt	Rr											
6600 P225/75R15	2426	2305	4731	3400	3406	15.6	27.3	25.5	12.7	25.3	22.9	19	28	24	20	14
6875 P235/75R15	2509	2192	4701	3670	3500	15.5	27.7	25.5	12.0	25.4	22.5	19	27	24	20	14

G31303 125.0" Wheelbase						Heights at Base Model Curb Weight			Heights and Angular Dimension are shown at Maximum GAWR Front and Rear							
GVW/Tire	Base Model Curb Weight			GAWR		HF	HE	HS	HF	HE	HS	A	C	E	F	K
	Frt	Rr	Ttl	Frt	Rr											
8600 LT225/75R16	2537	1687	4224	3880	5360	17.7	30.3	27.9	14.4	25.2	24.0	23	32	24	N/A	N/A
9200 LT225/75R16	2769	1730	4499	4000	5360	17.2	32.1	28.1	14.4	27.9	24.8	25	32	29	N/A	17
10000 LT225/75R16	2818	1970	4788	3900	7200	17.0	32.9	28.1	14.8	26.5	25.6	25	33	26	N/A	N/A

G Models (continued)

G31305 125.0" Wheelbase						Heights at Base Model Curb Weight			Heights and Angular Dimension are shown at Maximum GAWR Front and Rear							
GVW/Tire	Base Model Curb Weight			GAWR		HF	HE	HS	HF	HE	HS	A	C	E	F	K
	Frt	Rr	Ttl	Frt	Rr											
7100 LT225/75R16	2545	2200	4745	3400	4380	17.9	29.0	27.6	15.6	25.6	24.9	23	35	25	14	14
7400 LT225/75R16	2441	2163	4609	3400	4380	17.6	29.2	27.4	15.0	25.8	24.6	23	33	25	14	14
8600 LT225/75R16	2539	2196	4735	3880	5360	18.2	29.1	27.8	14.5	25.0	24.0	22	32	23	14	13
9200 LT225/75R16	2569	2320	4889	4000	5360	17.6	30.8	28.0	13.8	27.8	24.5	24	31	29	16	17

G31306 125.0" Wheelbase						Heights at Base Model Curb Weight			Heights and Angular Dimension are shown at Maximum GAWR Front and Rear							
GVW/Tire	Base Model Curb Weight			GAWR		HF	HE	HS	HF	HE	HS	A	C	E	F	K
	Frt	Rr	Ttl	Frt	Rr											
7400 LT225/75R16	2572	2667	5239	3400	4380	17.9	28.3	27.4	15.6	25.6	24.9	17	35	25	14	14
8600 LT225/75R16	2654	2514	5168	3880	5360	17.7	28.7	27.4	15.4	25.4	24.7	23	34	24	14	13
9200 LT225/75R16	2684	2637	5321	4000	5360	17.4	30.4	27.7	13.8	27.8	24.5	24	31	29	15	17

G31332 125.0" Wheelbase						Heights at Base Model Curb Weight			Heights and Angular Dimension are shown at Maximum GAWR Front and Rear							
GVW/Tire	Base Model Curb Weight			GAWR		HF	HE	HS	HF	HE	HS	A	C	E	F	K
	Frt	Rr	Ttl	Frt	Rr											
8900 LT225/75R16	2543	1835	4378	3880	6500	17.4	32.3	28.5	14.3	26.1	24.0	23	32	26	N/A	N/A
10200 LT225/75R16	2544	1843	4387	3900	7200	17.4	32.5	28.5	14.3	26.3	24.0	23	32	26	N/A	N/A

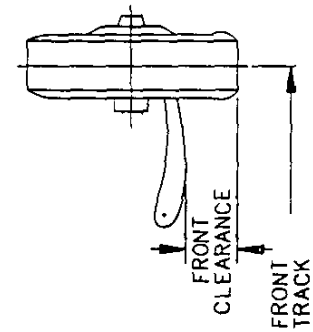
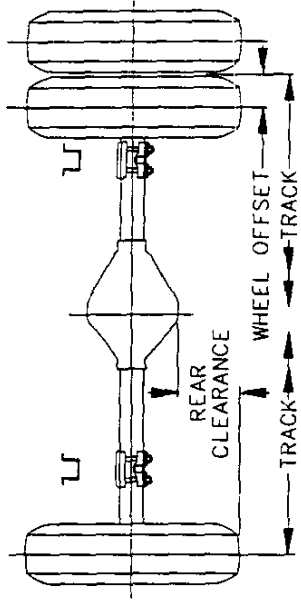
G31603 146.0" Wheelbase						Heights at Base Model Curb Weight			Heights and Angular Dimension are shown at Maximum GAWR Front and Rear							
GVW/Tire	Base Model Curb Weight			GAWR		HF	HE	HS	HF	HE	HS	A	C	E	F	K
	Frt	Rr	Ttl	Frt	Rr											
9200 LT225/75R16	2452	1714	4166	4000	5360	17.5	32.5	28.2	14.6	27.2	24.2	12	32	27	N/A	N/A
10000 LT225/75R16	2443	1909	4352	4000	7200	17.5	32.1	28.1	14.9	24.4	23.7	11	33	22	N/A	N/A
10500 LT225/75R16	2461	1909	4370	4000	7200	17.5	32.1	28.1	14.9	24.4	23.7	11	33	22	N/A	N/A

G31605 146.0" Wheelbase						Heights at Base Model Curb Weight			Heights and Angular Dimension are shown at Maximum GAWR Front and Rear							
GVW/Tire	Base Model Curb Weight			GAWR		HF	HE	HS	HF	HE	HS	A	C	E	F	K
	Frt	Rr	Ttl	Frt	Rr											
8600 LT225/75R16	2647	2429	5076	3880	5360	17.5	30.6	27.8	14.7	26.4	24.3	19	33	27	22	N/A
9200 LT225/75R16	2942	2430	5372	4000	5360	16.9	30.3	27.3	13.6	26.2	23.4	18	30	26	22	N/A

G Models (continued)

G31606 146.0" Wheelbase						Heights at Base Model Curb Weight			Heights and Angular Dimension are shown at Maximum GAWR Front and Rear							
GVW/Tire	Base Model Curb Weight			GAWR		HF	HE	HS	HF	HE	HS	A	C	E	F	K
	Frt	Rr	Ttl	Frt	Rr											
8600 LT225/75R16	2839	2806	5645	3880	5360	17.1	30.1	27.4	14.3	26.5	24.0	19	32	27	22	N/A
9200 LT225/75R16	2865	2921	5786	4000	5360	16.9	29.9	27.3	14.5	26.5	24.2	19	32	27	22	N/A

G31632 146.0" Wheelbase						Heights at Base Model Curb Weight			Heights and Angular Dimension are shown at Maximum GAWR Front and Rear							
GVW/Tire	Base Model Curb Weight			GAWR		HF	HE	HS	HF	HE	HS	A	C	E	F	K
	Frt	Rr	Ttl	Frt	Rr											
10500 LT225/75R16	2661	1891	4552	4000	7200	17.3	32.3	28.2	14.1	26.3	23.8	19	31	26	22	N/A



GMC AND CHEVROLET	GWR	MINIMUM GVWR LBS.		TIRE	SPEED R.T.C.	LOAD RANGE		MAX WIDTH	MAX RADIUS	MINIMUM TIRE FOR GVWR				TREAD		CURB HGT TO GND FROM	
		FRONT	REAR			FRONT	REAR			STATIC LOADED RADIUS	WHEEL OFFSET	REAR WHEEL	FRONT	REAR	BOTTOM LOWER CONTROL ARM	BOTTOM REAR DIFF CARRIER	
G11005	6000	3166	3166	P215/75R15	S	-	-	227	351.5	314	8.6	SINGLE	1743	1701	178	173	
G11305	6000	3166	3166	P215/75R15	S	-	-	227	351.5	314	8.6	SINGLE	1743	1701	178	173	
G21005	6600	3400	3406	P225/75R15	S	-	-	234	364.5	320	3.6	SINGLE	1753	1711	193	185	
G21305	6600	3400	3406	P225/75R15	S	-	-	234	364.5	320	3.6	SINGLE	1753	1711	193	185	
G21305	6875	3670	3500	P235/75R15	S	-	-	241.8	372.5	325	3.6	SINGLE	1753	1711	198	190	
G21306	6600	3400	3406	P225/75R15	S	-	-	234	364.5	320	3.6	SINGLE	1753	1711	193	185	
G21306	6875	3670	3500	P235/75R15	S	-	-	241.8	372.5	325	3.6	SINGLE	1753	1711	198	190	
G31305	7100	3400	4380	L1225/75R16	-	D	D	239	376	345	34.3	SINGLE	1743	1711	234	165	
G31305	7400	3400	4380	L1225/75R16	-	D	D	239	376	345	34.3	SINGLE	1743	1711	234	160	
G31305	8600	3880	5360	L1225/75R16	-	E	E	239	376	346	34.3	SINGLE	1743	1711	234	160	
G31305	9200	4000	5360	L1225/75R16	-	E	E	239	376	346	34.3	SINGLE	1743	1711	234	160	
G31303	8600	3880	5360	L1225/75R16	-	E	E	239	376	346	34.3	SINGLE	1743	1711	234	170	
G31303	9200	4000	5360	L1225/75R16	-	E	E	239	376	346	34.3	SINGLE	1743	1711	234	196	
G31303	10000	3900	7200	L1225/75R16	-	D	D	234	381	345	127	DUAL	1761	1880	246	178	
G31306	7400	3400	4380	L1225/75R16	-	D	D	239	376	345	34.3	SINGLE	1743	1711	234	160	
G31306	8600	3880	5360	L1225/75R16	-	E	E	239	376	346	34.3	SINGLE	1743	1711	234	160	
G31306	9200	4000	5360	L1225/75R16	-	E	E	239	376	346	34.3	SINGLE	1743	1711	234	160	
G31332	8900	3880	6500	L1225/75R16	-	C	C	239	376	346	34.3	SINGLE	1743	1711	234	160	
G31332	10200	3900	7200	L1225/75R16	-	D	D	234	381	345	127	DUAL	1761	1880	244	208	
G31603	9200	4000	5360	L1225/75R16	-	E	E	239	376	346	34.3	SINGLE	1743	1711	234	160	
G31603	10000	4000	7200	L1225/75R16	-	D	D	234	381	345	127	DUAL	1761	1880	244	208	
G31603	10500	4000	7200	L1225/75R16	-	D	D	234	381	345	127	DUAL	1761	1880	244	208	
G31605	8600	3880	5360	L1225/75R16	-	E	E	239	376	346	34.3	SINGLE	1743	1711	231	165	
G31605	9200	4000	5360	L1225/75R16	-	E	E	239	376	346	34.3	SINGLE	1743	1711	231	165	
G31606	8600	3880	5360	L1225/75R16	-	E	E	239	376	346	34.3	SINGLE	1743	1711	231	165	
G31606	9200	4000	5360	L1225/75R16	-	E	E	239	376	346	34.3	SINGLE	1743	1711	231	165	
G31632	10500	4000	7200	L1225/75R16	-	D	D	234	381	345	127	DUAL	1761	1880	234	213	

A MAX CROWN TIRE WIDTH ON WIDEST AVAILABLE RIM
 B MAX CROWN RADIUS ON NARROWEST AVAILABLE RIM
 C NOM SLR AT MAX AXLE RATED LOAD
 D OUTSIDE TIRE DIMENSION EQUALS TREAD DIMENSION PLUS MAX TIRE WIDTH.