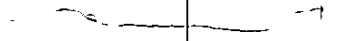






**GENUINE CHEVROLET**



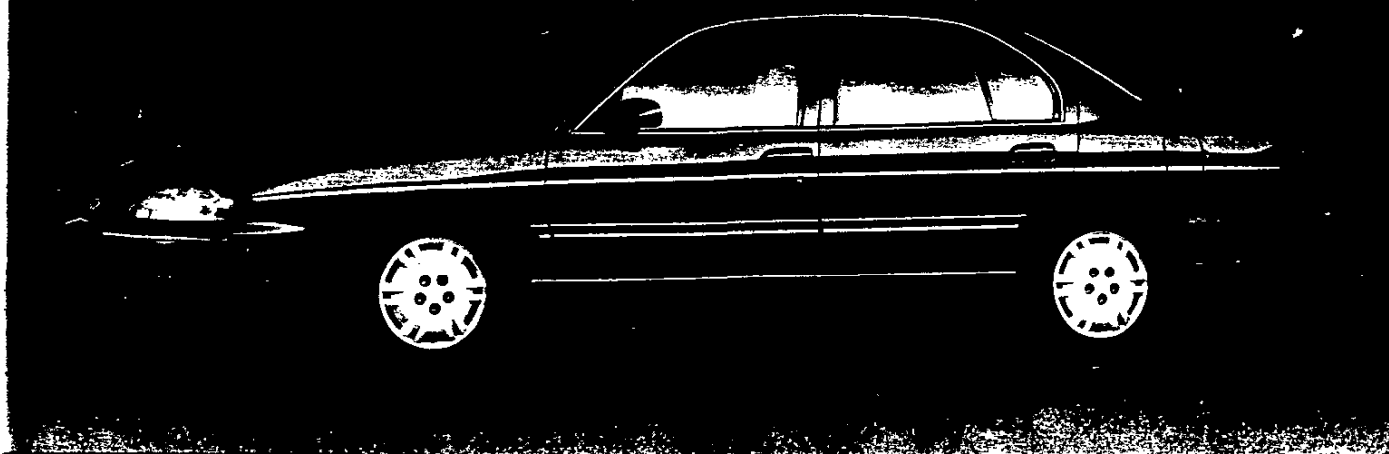




# Lumina



Lumina



## Focus

### Lumina Sedan with Preferred Equipment Group (PEG) 1SB (image above)

Lumina Sedan features the kinds of safety, performance and comfort features that are appealing to families in the market for a midsize sedan.

#### Ordering recommendations:

Recommended Lumina content, based on anticipated national sales volume, is listed below to assist your dealership in ordering.

#### Lumina Sedan with PEG 1SB includes:

- Color-Keyed Front and Rear Floor Mats
- Power Trunk Opener
- Trunk Cargo Net
- Dual Electric Sport Mirrors
- Power Windows with Driver's Express Down
- Electronic Speed Control.

#### Suggested individual options:

- Rear-Window Defogger
- Four-Wheel Anti-Lock Brake System (ABS)
- Custom Cloth 60/40 Split-Bench Front Seat
- AM/FM Stereo with Cassette Player.

See feature availability chart for vehicle contenting.

#### Popular colors:

Bright White, Dark Jade Green Metallic, Light Pewter Metallic, Light Driftwood Metallic.

## Lumina Owners ... a Closer Look

Families appreciate Lumina for its roomy comfort and dependable performance. Lumina owners want an affordable car that takes them where they need to go, comfortably and without a lot of worry.

## About Dealer Order Guide Inserts

The Dealer Order Guide inserts are your first look at Chevrolet Passenger Car models for 1999. This information is preliminary and subject to change. Use these inserts to assist in ordering your initial shipments. Most of your volume should come from the Focus vehicle, which is the model chosen for its saleability. It is equipped with the product features that customers want most. (Model, PEG and optional equipment vary by region.) Refer to the Retail Sales Analysis (RSA) to verify or select your dealership's Focus vehicle content. There is also the Feature vehicle, which is the "image" model Chevrolet will profile most in its advertising. This vehicle is meant to capture attention and create consumer awareness.

## Feature

### Lumina LTZ (image below) (some optional equipment shown)



Lumina LTZ delivers the fun-to-drive performance and sporty styling expected from Chevrolet and a value story that positions it as one of the best buys in its segment.

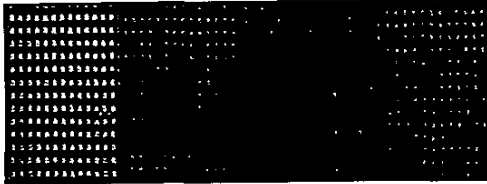
### Lumina LTZ offers an impressive level of style and performance, and includes many LS features, plus:

- 3800 Series II V6 Engine
- Ride and Handling Suspension
- 4-Wheel Disc Brakes
- 16" Machined-Face Aluminum Wheels
- P225/60R-16 performance tires
- Custom Cloth Front Bucket Seats with Center Console and Cup Holder. Also Available with Leather Seating Surfaces.
- LTZ Embroidery on Center of Rear Bench Seat
- Specific Sporty Front and Rear Fascias, Rear Spoiler and LTZ Badging.

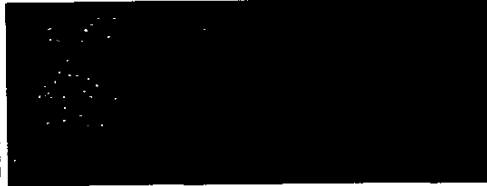
#### Lead color:

Black.

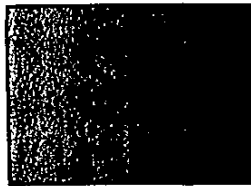
**Trim Colors**



Cloth available in Neutral, Medium Blue, Medium Gray and Ruby Red.

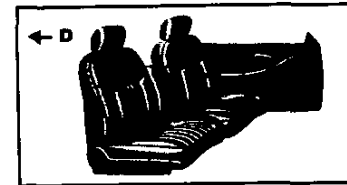
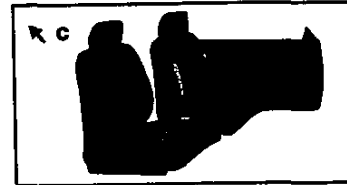
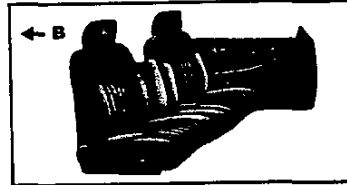
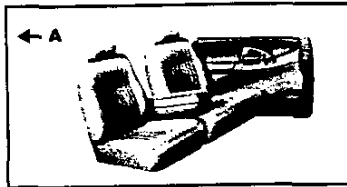


Custom Cloth available in Neutral, Medium Blue, Medium Gray and Ruby Red.

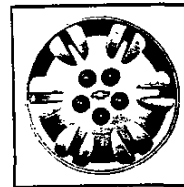


Leather available in Neutral and Medium Gray.

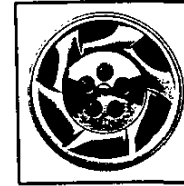
**Seat Styles**



**Wheels**



Lumina Base standard 15" silver bolt-on wheel cover. Also available in chrome (RPO PB1, Sedan only).



(RPO NWO) Lumina LS standard 16" aluminum wheel (optional on Sedan).



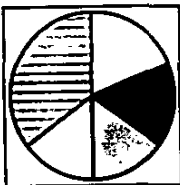
Lumina LTZ machined-face 16" aluminum wheel.

**Most Popular Exterior Colors with Corresponding Interior Color Availability**

Interior Material Colors	Exterior Colors			
	Neutral	Medium Blue	Medium Gray	Ruby Red
Bright White	✓	✓	✓	✓
Dark Jade Green Metallic	✓		✓	
Light Pewter Metallic	✓		✓	✓
Light Driftwood Metallic	✓			

See order guide for color availability by model.

**Most Popular Exterior Colors by Percentage**



Clockwise, at left, are the four colors anticipated to be the most popular Lumina choices for 1999, based on national sales volume. They are listed for reference only. To identify the top-selling colors in your area by model, use the Retail Sales Analysis (RSA).

Bright White (#16)	19%
Dark Jade Green Metallic (#56)	16%
Light Pewter Metallic (#11)	15%
Light Driftwood Metallic (#33)	15%
Other colors	35%

NOTE: For 1999, Medium Auburn Nightmist Metallic (#52) replaces Deep Purple Metallic (#89).

- A. Cloth 60/40 split-bench front seat with storage armrest and cup holder (standard on Lumina Sedan).
- B. Custom Cloth 60/40 split-bench front seat with storage armrest and cup holder (standard on Lumina LS and optional on Lumina Sedan).
- C. Custom Cloth front bucket seats with storage console and cup holder (standard on Lumina LTZ).
- D. Leather Seating Surfaces on 60/40 split-bench front seat with storage armrest and cup holder (optional on Lumina LS).
- E. Leather Seating Surfaces on front bucket seats with storage console and cup holder (optional on Lumina LTZ).

NOTE: Lumina LTZ has an embroidered "LTZ" graphic on the rear center seatback.

# Lumina

**S.P.A.C.E.** (New-for-'99 features appear in blue.)

*S.P.A.C.E. is an acronym used to help organize and explain key features and benefits in five major categories a customer needs and wants. Overall improvements, changes and deletions are highlighted. Please review the supplied information, keeping in mind that this material is provided to you before production start-up — and is liable to change.*



Lumina



## SAFETY

• **NEXT GENERATION DRIVER AND FRONT-PASSENGER AIR BAGS\*** — inflate with reduced speed and deployment force, helping to reduce the risk of deployment injury. Even with Next Generation air bags, however, never place a rear-facing infant restraint in the front seat of any vehicle with an active air bag. • **FOUR-WHEEL ANTI-LOCK BRAKE SYSTEM (ABS)** (four-wheel disc anti-lock brakes are standard on LTZ) — helps reduce wheel lockup, helping the driver maintain steering control while braking, even on slippery surfaces. • **CHILD SECURITY REAR-DOOR LOCKS** — manually lock to prevent a child from opening rear doors from the inside. • **REAR-SEAT SAFETY BELT CHILD COMFORT GUIDES** — make wearing safety belts more comfortable for children. • **AVAILABLE OnStar SYSTEM** (dealer-installed) — uses satellite technology to offer support 24 hours a day, seven days a week, with features like a hands-free, voice-activated cellular phone, route guidance information, remote door-unlocking capability and stolen-vehicle tracking.



## PERFORMANCE

• **NEW LEVEL OF STANDARD PERFORMANCE EQUIPMENT ON LTZ** — includes the Series II 3800 V6 engine, four-wheel anti-lock disc-brakes, machined-face 16" aluminum wheels, P225/60R-16 Goodyear Eagle RS-A performance tires and the Ride and Handling Suspension. • **3100 V6 SFI ENGINE AND 4-SPEED ELECTRONICALLY CONTROLLED AUTOMATIC TRANSMISSION** — smoothly deliver ample power for passing and merging. Shifts are virtually seamless.



## APPEARANCE

• **ONE NEW EXTERIOR COLOR** — Medium Auburn Nightmist Metallic replaces Deep Purple Metallic (not available on LTZ). • **LTZ EXTERIOR** — includes sporty front and rear fascias, rear spoiler, body-side moldings, unique LTZ badging and standard 16" machined-face aluminum wheels. • **BASECOAT/CLEARCOAT PAINT** — provides a durable, lustrous finish while reducing water-spotting and etching from acid rain.



## COMFORT AND CONVENIENCE

• **STANDARD AIR CONDITIONING WITH CFC-FREE REFRIGERANT** — helps keep interior cool and comfortable. • **LEATHER-WRAPPED STEERING WHEEL WITH DUPLICATE RADIO CONTROLS** (optional on Lumina LS and LTZ models) — for added convenience and a sporty feel. • **POWER WINDOWS WITH DRIVER'S EXPRESS-DOWN FEATURE AND LOCKOUT FEATURE** (standard on Lumina LS and LTZ Sedan, optional on Base Sedan) — allow easy operation of all windows and one-touch operation to lower the driver window.



## EASY-TO-OWN

• **SCOTCHGARD™ PROTECTOR** — on cloth seats, door panels, floor carpeting and floor mats, resists stains and makes cleanups easy. • **LONG-LIFE AUTOMATIC TRANSMISSION FLUID** — extends transmission fluid service intervals to up to 100,000 miles.<sup>1</sup> • **EXTENDED-LIFE ENGINE COOLANT** — has a first scheduled replacement interval of 5 years or 150,000 miles, whichever comes first.<sup>1</sup> • **PLATINUM-TIP SPARK PLUGS** — allow up to 100,000 miles before the first scheduled tune-up.<sup>1</sup> • **ALUMINIZED STAINLESS-STEEL EXHAUST SYSTEM** — includes all pipes, catalytic converter and muffler to resist corrosion, for a long service life. • **GENUINE CUSTOMER CARE** — a 3-year/36,000-mile, no deductible, Bumper to Bumper limited warranty, 24-Hour Roadside Assistance via a toll-free hot line and Courtesy Transportation,\*\* if your vehicle ever needs warranty work.

\*Always use safety belts and proper child restraints, even with Next Generation air bags. See the owner's manual for more safety information. <sup>1</sup>Maintenance needs vary with different uses and driving conditions. See owner's manual for more information. \*\*Courtesy Transportation available at participating dealerships.

## Competitive Models

- Ford Taurus
- Dodge Intrepid

## New for 1999

- Medium Auburn Nightmist Metallic replaces Deep Purple Metallic exterior paint color.
- Lumina LTZ now includes the 3800 Series II V6 engine, four-wheel anti-lock disc brakes, machined-face 16" aluminum wheels, P225/60R-16 Goodyear Eagle RS-A performance tires, the Ride and Handling Suspension and custom cloth bucket seats with center console and cup holder as standard equipment.

Lumina

## Feature Availability

	Lumina	Lumina LS	Lumina LTZ
<b>INTERIOR</b>			
Air Bags - Next Generation Driver and Front-Passenger <sup>1</sup>	S	S	S
Air Conditioning - with CFC-Free Refrigerant	S	S	S
Cargo Net - Luggage-Area	O	S	S
Child Security Rear-Door Locks	S	S	S
Defogger - Electric Rear-Window	O	O	O
Door Locks - Power	S	S	S
Lights, Interior - Sustained Lighting	S	S	S
Low Oil-Level and Oil-Wear Indicator Monitors	S	S	S
OnStar System - Dealer-Installed	O	O	O
PASS-Key II Theft-Deterrent System	S	S	S
Rear-Seat Safety Belt Child Comfort Guides	S	S	S
Scotchgard™ Protector	S	S	S
Seats - 6-Way Power Driver	O	O	O
- 60/40 Cloth, Split-Bench, Front	S	NA	NA
- 60/40 Custom Cloth, Split-Bench, Front	O	S	NA
- Custom Cloth Buckets with Console, Front	NA	NA	S
- 60/40 Leather Seating Surfaces, Split-Bench	NA	O	NA
- Buckets with Leather Seating Surfaces and Console	NA	NA	O
Speed Control - Electronic	O	O	O
Steering Column - Tilt-Wheel™	S	S	S
Stereo - AM/FM	S	NA	NA
- AM/FM w/Cassette Player with Premium Speakers	O	S	S
- AM/FM w/CD Player with Premium Speakers	O	O	O
- Steering Wheel Radio Controls	NA	O <sup>2</sup>	O <sup>2</sup>
Temperature Controls - Driver and Front-Passenger	NA	O	O
Trunk - Power Opener	O <sup>3</sup>	O <sup>3</sup>	O <sup>3</sup>
Windows - Power with Driver's Express-Down Feature	O	S	S
Wipers - Intermittent Variable Windshield	S	S	S
<b>EXTERIOR</b>			
Mirrors - Dual Black Sport, LH Remote	S	NA	NA
- Dual Black Twin Remote Electric	O	S	NA
- Dual Body-Color Twin Remote Electric	NA	NA	S
Spoiler - Rear Decklid	NA	NA	S
Tires - P205/70R-15 All-Season Touring	S	NA	NA
- P225/60R-16 All-Season Touring	O <sup>4</sup>	S	NA
- P225/60R-16 Goodyear Eagle RS-A Performance	NA	NA	S
Wheel Covers - 15" Bolt-On (silver)	S	NA	NA
- 15" Bolt-On (chrome)	O	NA	NA
Wheel - 16" Aluminum	O <sup>4</sup>	S	NA
- 16" Machined-Face Aluminum	NA	NA	S
<b>FUNCTIONAL</b>			
Brakes - 4-Wheel Anti-Lock (ABS)	O	S	S
- Power, Front Disc/Rear Drum	S	S	NA
- Power, Four-Wheel Disc	NA	NA	S
Engine - 3100 V6 SFI	S	S	NA
- 3800 Series II V6 SFI	NA	NA	S
Remote Keyless Entry	O <sup>3</sup>	O	O
Transmission - 4-Speed Electronically Controlled Automatic	S	S	S

S — Standard. O — Optional (some options may be available only as a part of a Preferred Equipment Group — see your order guide for feature availability). NA — Not available. 1 Always use safety belts and proper child restraints, even with Next Generation air bags. See the owner's manual for more safety information. 2 Includes leather-wrapped steering wheel. 3 Requires PEG 1SB or 1SD. 4 Requires optional 16" aluminum wheels and PEG 1SB. 5 Requires optional P225/60R-16 tires and PEG 1SB.

## 1999 LUMINA HIGHLIGHTS

### NEW FOR 1999

- Carryover

### EXTERIOR

- R9S Sport Performance Package canceled on LTZ
- L36 3800 V-6 engine now standard on LTZ
- P225/60R-16 B/W tires now standard on LTZ
- 16" Machine-Faced Wheels now standard on LTZ

### INTERIOR

- Custom cloth or Leather bucket seats now standard on LTZ

### COLORS (NEW)

- Auburn, Nightmist Medium (met) new for Lumina base and Lumina LS





...

...



# LUMINA

## STANDARD EQUIPMENT SUMMARY

		1WL69 <u>SEDAN</u>	1WL69 <u>LS</u>	1WN69 <u>LTZ</u>
<b><u>CHASSIS</u></b>				
AXLES:	3.29 W/3100 SFI V6	S	S	S
	3.29 W/3800 SFI V6	-	-	S
BRAKES:	POWER FRONT DISC, REAR DRUM	S	-	-
	4-WHEEL ANTI-LOCK FRONT DISC, REAR DRUM	-	S	S
ENGINE:	3100 SFI V6	S	S	-
	3800 SFI V6	-	-	S
FUEL TANK:	16.6 GALLON CAPACITY	S	S	S
STEERING:	POWER	S	S	S
	TILT WHEEL	S	S	S
TRANSMISSION:	4-SPEED AUTOMATIC	S	S	S
<b><u>INTERIOR</u></b>				
AIR BAGS:	DRIVER AND FRONT PASSENGER	S	S	S
AIR CONDITIONING:		S	S	S
CARGO NET:	LUGGAGE AREA	-	S	S
FABRIC PROTECTOR:	SCOTCHGARD - INCLUDES SEATS, DOOR TRIM AND FLOOR COVERING	S	S	S
	TACHOMETER	-	S	S
GAGES:	TACHOMETER	-	S	S
GLASS:	TINTED/SOLAR-RAY	S	S	S
LIGHTING:	AUXILIARY GLOVE BOX, TRUNK, IP MOUNTED ASHTRAY, DOME LAMP, DUAL READING LAMPS	S	S	S
	LOCKS:	CHILD SECURITY, REAR	S	S
MIRRORS:	POWER, DOOR	S	S	S
	PASS KEY II THEFT DETERRENT SYSTEM	S	S	S
	VISOR, LH AND RH	S	S	S
RADIO:	VISOR RH ILLUMINATED	-	S	S
	ELECTRONICALLY TUNED AM/FM STEREO RADIO W/SEEK-SCAN, DIGITAL CLOCK, AND EXTENDED RANGE FRONT AND REAR SPEAKERS	S	-	-
	ELECTRONICALLY TUNED AM/FM STEREO RADIO W/SEEK-SCAN, W/AUTOMATIC TONE CONTROL, DIGITAL CLOCK, CASSETTE TAPE, THEFT LOCK AND SPEED COMPENSATED VOLUME (INCLS PREMIUM FRONT AND REAR COAXIAL SPEAKERS)	-	S	S

# LUMINA

## STANDARD EQUIPMENT SUMMARY

		1WL69 SEDAN	1WL69 LS	1WN69 LTZ
<b>INTERIOR continued . . . .</b>				
SEATS:	CLOTH 60/40 SEAT WITH CENTER STORAGE ARMREST WITH CUPHOLDER AND 4-WAY MANUAL DRIVER'S SEAT ADJUSTER AND FIXED REAR BENCH SEAT	S	-	-
	CUSTOM CLOTH BUCKET SEAT WITH CENTRAL ARMREST WITH CUPHOLDER, 4-WAY MANUAL DRIVER'S SEAT ADJUSTER AND FIXED REAR BENCH SEAT	-	S	-
	CUSTOM CLOTH 60/40 SEAT WITH CENTER ARMREST WITH CUPHOLDER, 4-WAY MANUAL DRIVER'S SEAT ADJUSTER AND FIXED REAR BENCH SEAT WITH EMBROIDERED "LTZ" GRAPHICS ON SEAT BACK	-	-	S
WARNING LIGHTS:	ENGINE OIL WEAR INDICATOR, LOW COOLANT LEVEL, LOW ENGINE OIL	S	S	S
WINDOWS:	POWER	-	S	S
<b>EXTERIOR</b>				
LIGHTS:	AUTOMATIC DAYTIME RUNNING	S	S	S
MIRRORS:	DUAL BLACK SPORT (LH REMOTE)	S	-	-
	DUAL BLACK SPORT REMOTE, ELECTRIC	-	S	-
	DUAL BODY COLOR REMOTE, ELECTRIC	-	-	S
MOLDINGS:	BODYSIDE, COLOR-KEYED	S	S	S
PAINT:	BASE COAT/CLEAR COAT	S	S	S
SPOILER:	REAR DECK	-	-	S
TIRES:	P205/70R-15 BLACKWALL TOURING	S	-	-
	P225/60R-16 BLACKWALL TOURING	-	S	S
WHEEL COVER:	15" BOLT-ON FULL-WHEEL (SILVER)	S	-	-
WHEELS:	16" ALUMINUM	-	S	-
	16" MACHINE FACED	-	-	S
WIPERS:	VARIABLE INTERMITTENT	S	S	S

# LUMINA SEDAN

## Model 1WL69 Lumina Sedan

MUST ORDER ONE GROUP – NO DELETIONS ALLOWED

	1SA	1SB
Base Preferred Equipment Group (Refer Standard Equipment Summary Page)	X	X
<b>Preferred Equipment Group 1</b>		
Floor Mats, Front Carpeted, Color-Keyed		X
Floor Mats, Rear Carpeted, Color-Keyed		X
Cargo Retaining Net, Luggage Area		X
Mirrors, Dual Black Sport Remote, Electric		X
Power Trunk Opener		X
Power Windows w/Driver's Express Down and Power Lockout		X
Speed Control Electronic, w/Resume Speed		X

### ADDITIONAL OPTIONS

#### ACKNOWLEDGMENTS:

- R8S Multiple Order Numbers
- R8T Preliminary Invoice (Refer Vehicle Price Schedule)
- VK3 **BRACKET:** License Plate, Front
- JM4 **BRAKES:** 4-Wheel Anti-Lock
- DEFOGGER: (MUST SPECIFY)**
- C49 Rear Window: Electric
- R9W Rear Window Defogger Not Desired
- EMISSIONS: (MUST SPECIFY) (Refer Emission Requirements Tab Section)**
- FE9 Federal Emission Requirements
- NG1 CT, DC, DE, MA, MD, NH, NJ, NY, PA, RI, VA Emission Requirements
- YF5 California Emission Requirements
- NB8 CT, DC, DE, MA, MD, NH, NJ, NY, PA, RI, VA Emission Override (Reqs FE9 Emissions)
- NC7 Federal Emission Override (Reqs YF5 or NG1 Emissions)

#### FLOOR MATS:

- B34 Front, Carpeted, Color-keyed (Incl w/1SB)
- B35 Rear, Carpeted, Color-keyed (Incl w/1SB)
- K05 **HEATER:** Engine Block
- AU0 **KEYLESS ENTRY:** Remote (Reqs 1SB)

#### RADIO EQUIPMENT:

- UL0 Electronically Tuned AM/FM Stereo Radio w/Seek-Scan, Digital Clock, Automatic Tone Control, Cassette Tape, Theft Lock and Speed Compensated Volume (Incls Premium Front & Rear Coaxial Speakers)
- UN0 Electronically Tuned AM/FM Stereo Radio w/Seek-Scan, Digital Clock, Automatic Tone Control, Compact Disc Player, Theft Lock & Speed Compensated Volume (Incls Premium Front & Rear Coaxial Speakers)

# LUMINA SEDAN

## ADDITIONAL OPTIONS

### SEATS, ADDITIONAL:

- WG1 Power (Driver Side only)
- AN2 Child, Integral (Reqs \*\*C Trim)
- K34 **SPEED CONTROL:** Electronic w/Resume Speed (Incl w/1SB)
- QNX **TIRES:** P225/60-R16 B/W Touring Radial (Reqs NW0 Wheels)

### WHEELS/COVERS:

- PB1 15" Bolt-on Full Wheel Cover (Chrome)
- NW0 16" Aluminum Wheel (Reqs QNX Tires) (Reqs 1SB)
- A31 **WINDOWS:** Power with Driver's Side Express Down and Power Window Lockout (Incl w/1SB)

## INTERIOR AND EXTERIOR COLOR AVAILABILITY CHART

PLEASE NOTE: The Exterior Paint and Interior Trim Combinations Shown Below are the only Combinations Available

TRIM LEVEL		INTERIOR COLORS			
Seat Type		Med Gray	Blue	Red	Neutral
Cloth 60/40		92B	30B	79B	52B
Custom Cloth 60/40		92C	30C	79C	52C
Exterior Colors	Color Code	RECOMMENDED INTERIOR TRIM COLORS			
<b>Solid Paint</b>					
Auburn, Nightmist Medium (Met)	52U	X			X
Black	41U	X		X	X
Blue, Regal Medium (Met)	27U	X	X		X
Blue, Navy (Met)	28U	X	X		X
Driftwood, Lt (Met)	33U				X
Green, Jade Dk (Met)	56U	X			X
Pewter, Lt (Met)	11U	X		X	X
Red, Dk Carmine (Met)	51U	X		X	X
White, Bright	16U	X	X	X	X

# LUMINA LS SEDAN

## Model 1WL69 Lumina LS Sedan

MUST ORDER ONE GROUP – NO DELETIONS ALLOWED

	1SC	1SD
<b>Base Preferred Equipment Group</b> (Refer Standard Equipment Summary Page)	X	X
<b>Preferred Equipment Group 1</b>		
Floor Mats, Front Carpeted, Color-Keyed		X
Floor Mats, Rear Carpeted, Color-Keyed		X
Remote Keyless Entry		X
Power Trunk Opener		X
Temperature Control - Driver and Passenger Side		X
Speed Control, Electronic, w/Resume Speed		X

### ADDITIONAL OPTIONS

#### ACKNOWLEDGMENTS:

- R8S Multiple Order Numbers
- R8T Preliminary Invoice (Refer Vehicle Price Schedule)
- VK3 **BRACKET:** License Plate, Front
- DEFOGGER: (MUST SPECIFY)**
- C49 Rear Window: Electric
- R9W Rear Window Defogger Not Desired
- EMISSIONS: (MUST SPECIFY) (Refer Emission Requirements Tab Section)**
- FE9 Federal Emission Requirements
- NG1 CT, DC, DE, MA, MD, NH, NJ, NY, PA, RI, VA Emission Requirements
- YF5 California Emission Requirements
- NB8 CT, DC, DE, MA, MD, NH, NJ, NY, PA, RI, VA Emission Override (Reqs FE9 Emissions)
- NC7 Federal Emission Override (Reqs YF5 or NG1 Emissions)

#### FLOOR MATS:

- B34 Front, Carpeted, Color-keyed (Incl w/1SD)
- B35 Rear, Carpeted, Color-keyed (Incl w/1SD)
- K05 **HEATER:** Engine Block

#### RADIO EQUIPMENT:

- UN0 Electronically Tuned AM/FM Stereo Radio w/Seek-Scan, Digital Clock, Automatic Tone Control, Compact Disc Player, Theft Lock & Speed Compensated Volume (Incls Premium Front & Rear Coaxial Speakers)
- UK3 Radio Controls, Steering Wheel (Incls Leather Wrapped Steering Wheel) (Reqs 1SD)

#### SEATS, ADDITIONAL:

- WG1 Power (Driver Side only)
- AN2 Child, Integral (Reqs \*\*C Trim)
- K34 **SPEED CONTROL:** Electronic w/Resume Speed (Incl w/1SD)
- CF5 **SUNROOF:** Electric, Sliding

# LUMINA LS SEDAN

## INTERIOR AND EXTERIOR COLOR AVAILABILITY CHART

PLEASE NOTE: The Exterior Paint and Interior Trim Combinations Shown Below are the only Combinations Available

TRIM LEVEL Seat Type		INTERIOR COLORS			
		Med Gray	Blue	Red	Neutral
Custom Cloth 60/40		92C	30C	79C	52C
(a)Leather 60/40		924			524

Exterior Colors Solid Paint	Color Code	RECOMMENDED INTERIOR TRIM COLORS			
		Med Gray	Blue	Red	Neutral
Auburn, Nightmist Medium (Met)	52U	X			X
Black	41U	X		X	X
Blue, Regal Medium (Met)	27U	X	X		X
Blue, Navy (Met)	28U	X	X		X
Driftwood, Lt (Met)	33U				X
Green, Jade Dk (Met)	56U	X			X
Pewter, Lt (Met)	11U	X		X	X
Red, Dk Carmine (Met)	51U	X		X	X
White, Bright	16U	X	X	X	X

(a)Reqs 1SD PEG

# LUMINA LTZ SEDAN

## Model 1WN69 Lumina LTZ Sedan

**MUST ORDER ONE GROUP -- NO DELETIONS ALLOWED**

	1SA	1SB
<b>Base Preferred Equipment Group</b> (Refer Standard Equipment Summary Page)	X	X
<b>Preferred Equipment Group 1</b>		
Floor Mats, Front Carpeted, Color-Keyed		X
Floor Mats, Rear Carpeted, Color-Keyed		X
Power Trunk Opener		X
Remote Keyless Entry		X
Speed Control, Electronic, w/Resume Speed		X
Temperature Control - Driver and Passenger Side		X
Radio Controls, Steering Wheel		X

### ADDITIONAL OPTIONS

#### ACKNOWLEDGMENTS:

- R8S Multiple Order Numbers
- R8T Preliminary Invoice (Refer Vehicle Price Schedule)
- VK3 **BRACKET:** License Plate, Front
- DEFOGGER: (MUST SPECIFY)**
- C49 Rear Window: Electric
- R9W Rear Window Defogger Not Desired
- EMISSIONS: (MUST SPECIFY) (Refer Emission Requirements Tab Section)**
- FE9 Federal Emission Requirements
- NG1 CT, DC, DE, MA, MD, NH, NJ, NY, PA, RI, VA Emission Requirements
- YF5 California Emission Requirements
- NB8 CT, DC, DE, MA, MD, NH, NJ, NY, PA, RI, VA Emission Override (Reqs FE9 Emissions)
- NC7 Federal Emission Override (Reqs YF5 or NG1 Emissions)
- FLOOR MATS:**
- B34 Front, Carpeted, Color-keyed (Incl w/1SB)
- B35 Rear, Carpeted, Color-keyed (Incl w/1SB)
- K05 **HEATER:** Engine Block



## LUMINA LTZ SEDAN

### ADDITIONAL OPTIONS

#### RADIO EQUIPMENT:

- UN0 Electronically Tuned AM/FM Stereo Radio w/Seek-Scan, Digital Clock, Automatic Tone Control, Compact Disc Player, Theft Lock & Speed Compensated Volume (Incls Premium Front & Rear Coaxial Speakers)

#### SEAT TYPE: (MUST SPECIFY) (Refer to Color and Trim Chart for Availability)

- AM6 Split  
AR9 Bucket (Incls Console)

#### SEATS, ADDITIONAL:

- AN2 Child, Integral  
WG1 Power (Driver Side only)  
K34 **SPEED CONTROL:** Electronic w/Resume Speed (Incl w/1SB)  
CF5 **SUNROOF:** Electric, Sliding (Reqs 1SB)

# LUMINA LTZ SEDAN

## INTERIOR AND EXTERIOR COLOR AVAILABILITY CHART

PLEASE NOTE: The Exterior Paint and Interior Trim Combinations Shown Below are the only Combinations Available

TRIM LEVEL Seat Type	(a)Seat Option	INTERIOR COLORS			
		Med Gray	Blue	Red	Neutral
Custom Cloth Bucket	AR9	92C	30C	79C	52C
(b)Leather Bucket	AR9	924			524
Exterior Colors Solid Paint	Color Code	RECOMMENDED INTERIOR TRIM COLORS			
Black	41U	X		X	X
Blue, Navy (Met)	28U	X	X		X
Driftwood, Lt (Met)	33U				X
Green, Jade Dk (Met)	56U	X			X
Pewter, Lt (Met)	11U	X		X	X
Red, Dk Carmine (Met)	51U	X		X	X
Red, Torch	70U	X			X
White, Bright	16U	X	X	X	X

(a)Seat Option AM6/AR9 Must Be Specified

(b)Requires 1SB PEG

**NOTES**

# MANUFACTURERS MOTOR VEHICLE SPECIFICATIONS

METRIC (U.S. CUSTOMARY)

# 1999

Manufacturer	CHEVROLET MOTOR DIVISION GENERAL MOTORS CORPORATION	Vehicle Line	
Mailing Address	30007 VAN DYKE WARREN, MI 48090-9065	LUMINA	
		Issued	Revised

Direct questions concerning these specifications to the manufacturer listed above.

The information contained herein is prepared, distributed by, and is solely the responsibility of the vehicle manufacturing company to whose products it relates. This specification form was developed by the vehicle manufacturing companies under the auspices of the American Automobile Manufacturers Association.

The General Specifications herein are those in effect at date of compilation and are subject to change without notice or incurring obligation by the manufacturer.

## AAMA

American Automobile Manufacturers Association

Blank Forms Provided by Technical Affairs Division

# Specifications

## METRIC

### Table of Contents

---

1	Vehicle Models/Origin	Ø Indicates Format Change From Previous Year
2	Power Teams	
3	Engine	
4	Lubrication System	
5	Cooling System	
6	Fuel System	
7	Vehicle Emission Control	
7	Exhaust System	
8-10	Transmission, Axles and Shafts	
11	Suspension	
12-13	Brakes, Tires and Wheels	
14	Steering	
15-16	Electrical	
17	Body-Miscellaneous Information	
17	Frame	
18	Glass	
18	Headlamps	
19	Climate Control System	
20-21	Convenience Equipment	
21	Trailer Towing	
22-24	Vehicle Dimensions	
25	Vehicle Fiducial Marks	
26	Vehicle Mass	
27	Optional Equipment Differential Mass (Weight)	
28-34	Vehicle Dimensions Definitions - Key Sheets	
35	Index	

---

#### NOTE:

1. This form uses both Metric units and U.S. Customary units. The metric unit of measure is presented first, and the U.S. Customary unit follows in parenthesis.
2. UNLESS OTHERWISE INDICATED:
  - a. Specifications apply to standard models without optional equipment. Significant deviations are noted.
  - b. Nominal design dimensions are used throughout these specifications.
  - c. All linear dimensions are in millimeters (inches), and all mass (weight) specifications are in kilograms (pounds).
3. The General Specifications herein are those in effect at date of compilation and are subject to change without notice or incurring obligation by the manufacturer.
4. Additional Vehicle Dimensions (based in part on SAE J1100 "Motor Vehicle Dimensions") may be available from the manufacturer.

# MVMA Specifications

Vehicle Line LUMINA  
 Model Year 1999 Issued \_\_\_\_\_ Revised (●) \_\_\_\_\_

METRIC (U.S. Customary)

## Vehicle Origin

Design & development (company)	G.M., Midsize Car Division
Where built (country)	Canada
Authorized U.S. sales marketing representative	Chevrolet Motor Division

## Vehicle Models

Model Description & Drive (FWD / RWD / AWD / 4WD)*	Introduction Date	Make, Vehicle Models, Series, Body Type (Mfr's Model Code)	No. of Designated Seating Positions (Front / Rear)	Max. Trunk/Cargo Load-Kilograms (Pounds)	EPA Fuel Economy (City/Hwy)
LUMINA 4-Door Notchback Sedan (FWD)		1WL69	6 (3/3)		19/29 - L82
LUMINA LS 4-Door Notchback Sedan (FWD)		1WN69	6 (3/3) 5 (2/3) Opt.		19/29 - L82 17/26 - L36

\* FWD - Front Wheel Drive RWD - Rear Wheel Drive AWD - All Wheel Drive 4WD - Four Wheel Drive

# MVMA Specifications

Vehicle Line LUMINA  
 Model Year 1999 Issuea \_\_\_\_\_ Revised (•) \_\_\_\_\_

METRIC (U.S. Customary)

## Power Teams

SAE J1349 Net bhp (brake horsepower) and Net Torque corrected to 77°F/25°C and 29.61 in. Hg/100 kPa atmospheric pressure.

		A	B	C	D	
E N G I N E	Engine Code	L82	L36			
	Displacement Liters (in <sup>3</sup> )	3.1 (191)	3.8 (231)			
	Induction system (FI, Carb. etc.)	Sequential Fuel Injection	Sequential Fuel Injection			
	Compression ratio	9.6:1	9.4:1			
	SAE Net at RPM	Power kW (bhp)	119 (160) @ 5200	149 (200) @ 5200		
		Torque N • m (lb. ft.)	251 (185) @ 4000	305 (225) @ 4000		
	Exhaust single, dual	Single	Dual			
T R A N S	Transmission/ Transaxle	M13	M15			
	Effective Final Drive / Axle Ratio (std. first)	3.33	3.42			

Series Availability		Power Teams (A - B - C - D)		
Model	Code	Standard	Optional	
LUMINA				
4-Dr. Notchback Coupe	1WL69	A	-	
LUMINA LS				
4-Dr. Notchback Coupe	1WN69	A	B	

# MVMA Specifications

Vehicle Line LUMINA  
 Model Year :999 Issue            Revised (●)           

## METRIC (U.S. Customary)

Engine Description	3.1 LITER V6
Engine Code	L82

### Engine - General

Type & description (inline, V, angle, flat, location, front, mid, rear, transverse, longitudinal, sohc, dohc, ohv, hemi, wedge, pre-chamber, etc.)	60 Degree V, Front, Transverse, OHV	
Manufacturer	General Motors Powertrain	
No. of cylinders	Six	
Bore	89.0 mm	
Stroke	84.0 mm	
Bore Spacing (C / L to C / L)	111.76 mm	
Cylinder block material & mass kg. (lbs.) (macrined)	Cast Iron, 55.6 (122.6)	
Cylinder block deck height	224.0 mm	
Cylinder block length	435.5 mm	
Deck clearance (minimum) (above or below block)	0.58 (Above)	
Cylinder head material & mass kg. (lbs.)	Cast Aluminum, 6.9 (15.2)	
Cylinder head volume cm <sup>3</sup> (inches <sup>3</sup> )	26.2 (1.6)	
Cylinder liner material	None	
Head gasket thickness (compressed)	1.55 mm	
Minimum combustion chamber total volume cm <sup>3</sup> (inches <sup>3</sup> )	60.29 (3.7)	
Cyl. no. system (front to rear)*	L. Bank	2-4-6
	R. Bank	1-3-5
Firing order	1-2-3-4-5-6	
Intake manifold material & mass kg. (lbs.)**	Cast Aluminum, 8.4 (18.4)	
Exhaust manifold material & mass kg. (lbs)**	Cast Iron, Right: 4.3 (9.5), Left: 2.3 (5.1)	
Knock sensor (number & location)	One, Left Side of Block	
Fuel required unleaded, diesel, etc.	Unleaded	
Fuel antiknock index (R + M) + 2	86	
Engine Mounts	Quantity	Total 4 (1 Engine Mount, 1 Transmission Mount and 2 Torque Reacting Mounts)
	Material and type (elastomeric, hydroelastic, hydraulic damper, etc.)	Engine Mount - Hydroelastic; Transmission Mount - Hydroelastic; Torque Reacting Mounts - Natural Rubber and Neoprene
	Added isolation (sub-frame, crossmember, etc.)	Isolated Cradle
Total dressed engine mass (wt) dry***	184 kg	

### Engine - Pistons

Material & mass, g (weight, oz.) - piston only	Aluminum Alloy, 375 (13.2)
--	----------------------------

### Engine - Camshaft

Location	Above Crankshaft at Center of "V"	
Material & mass kg (weight, lbs.)	Assembled Steel, 2.3 (5.1)	
Drive type	Chain / belt	Chain
	Width / pitch	16.18 mm Max width; 3/8 pitch inverted Tooth "Silent" Chain

- \* Rear of engine - drive takeoff. View from drive takeoff end to determine left & right side of engine.
- \*\* Finished state.
- \*\*\* Dressed engine mass (weight) includes the following: All those items necessary to make the engine a complete ready-to-run unit.



# MVMA Specifications

Vehicle Line LUMINA  
 Model Year 1999 issued \_\_\_\_\_ Revised (●) \_\_\_\_\_

## METRIC (U.S. Customary)

Engine Description	3.8 LITER V6
Engine Code	L36

### Engine - General

Type & description (inline, V, angle, flat, location, front, mid, rear, transverse, longitudinal, sohc, dohc, ohv, hemi, wedge, pre-chamber, etc.)	90 Degree V, Front, Transverse, OHV	
Manufacturer	General Motors Powertrain	
No. of cylinders	Six	
Bore	96.52 mm	
Stroke	86.36 mm	
Bore Spacing (C/L to C/L)	107.7 mm	
Cylinder block material & mass kg. (lbs.) (machined)	Cast Iron, 55.7 (122.8)	
Cylinder block deck height	216.49mm	
Cylinder block length	398.0 mm	
Deck clearance (minimum) (above or below block)	0.56 mm (Above)	
Cylinder head material & mass kg. (lbs.)	Cast Iron, 14.4 (31.7)	
Cylinder head volume cm <sup>3</sup> (inches <sup>3</sup> )	62.93 (3.81)	
Cylinder liner material	Not Applicable	
Head gasket thickness (compressed)	1.5 mm	
Minimum combustion chamber total volume cm <sup>3</sup> (inches <sup>3</sup> )	75.675 (4.618)	
Cyl. no. system (front to rear)*	L Bank	1-3-5
	R Bank	2-4-6
Firing order	1-6-5-4-3-2	
Intake manifold material & mass kg. (lbs.)**	Lower: Aluminum, Upper: Composite, 7.15 (15.76)	
Exhaust manifold material & mass kg. (lbs.)**	Right: Tubular Stainless Steel, 3.5 (7.7), Left: Cast Nodular Iron, 3.8 (8.4)	
Knock sensor (number & location)	Two Sides of Block	
Fuel required unleaded, diesel, etc.	Unleaded	
Fuel antiknock index (R + M) + 2	87	
Engine Mounts	Quantity	Total 4 (1 Engine Mount, 1 Transmission Mount and 2 Torque Reacting Mounts)
	Material and type (elastomeric, hydroelastic, hydraulic damper, etc.)	Engine Mount - Hydroelastic; Transmission Mount - Hydroelastic; Torque Reacting Mounts - Natural Rubber and Neoprene
	Added isolation (sub-frame, crossmember, etc.)	Isolated Cradle
Total dressed engine mass (wt) dry***	201 kg	

### Engine - Pistons

Material & mass, g (weight, oz.) - piston only	Eutectic Aluminum Alloy, 385.5 (13.60)
--	--

### Engine - Camshaft

Location	In Block	
Material & mass kg (weight, lbs.)	5150 Steel, 2.5 (5.5)	
Drive type	Chain / belt	Chain
	Width / pitch	0.398 mm Over Guides / 0.323 mm

- \* Rear of engine - drive takeoff. View from drive takeoff end to determine left & right side of engine.
- \*\* Finished state.
- \*\*\* Dressed engine mass (weight) includes the following: All those items necessary to make the engine a complete ready-to-run unit.

# MVMA Specifications

Vehicle Line LUMINA  
 Model Year 1999 Issued \_\_\_\_\_ Revised (●) \_\_\_\_\_

## METRIC (U.S. Customary)

Engine Description	3.1 LITER V6
Engine Code	L82

### Engine - Valve System

Hydraulic lifters (std., opt., n.a.)	Standard	
Valves	Number intake / exhaust	Six/Six
	Head O.D. intake / exhaust	43.64 mm / 36.20 mm

### Engine - Connecting Rods

Material & mass kg., (weight, lbs.)*	Forged Steel, 0.59 (1.3)
Length (axes C/L to C/L)	144.78 mm

### Engine - Crankshaft

Material & mass kg., (weight, lbs.)*	Cast Iron, 17.2 (37.9)	
End thrust taken by bearing (no.)	Three	
Number & Length of main bearing journals	One - 29.5 mm, Two and Three - 24.0 mm, Four - 36.0 mm	
Seal (material, one, two piece design, etc.)	Front	Viton/Steel, One Piece
	Rear	Viton/Steel, One Piece

### Engine - Lubrication System

Normal oil pressure kPa (psi) at engine rpm	280 - 360 (40.6 - 52.2) @ 2400
Type oil intake (floating, stationary)	Stationary
Oil filter system (full flow, part, other)	Full Flow
Capacity of oil case, less filter-refill-L (qt.)	3.8 (4.0)

### Engine - Diesel Information

(NOT APPLICABLE)

Diesel engine manufacturer	
Glow plug, current drain at 0°F.	
Injector nozzle	Type
	Opening pressure kPa (psi)
Pre-chamber design	
Fuel injection pump	Manufacturer
	Type
Fuel injection pump drive (belt, chain, gear)	
Supplementary vacuum source (type)	
Fuel heater (yes/no)	
Water separator, description (std., opt.)	
Turbo manufacturer	
Oil cooler-type (oil to engine coolant, oil to ambient air)	
Oil filter	

### Engine - Intake System

(NOT APPLICABLE)

Turbo charger - manufacturer	
Super charger - manufacturer	
Intercooler	

\* Finished State

# MVMA Specifications

Vehicle Line LUMINA  
 Model Year 1999 Issued \_\_\_\_\_ Revised (#) \_\_\_\_\_

## METRIC (U.S. Customary)

Engine Description	3.8 LITER V6
Engine Code	L36

### Engine - Valve System

Hydraulic lifters (std., opt., n.a.)	Standard	
Valves	Number intake / exhaust	12/12
	Head O.D. intake / exhaust	45.72 mm / 38.6 mm

### Engine - Connecting Rods

Material & mass kg., (weight, lbs.)*	Pearlitic Malleable Iron, 0.63 (1.4)
Length (axes C/L to C/L)	145.85 mm

### Engine - Crankshaft

Material & mass kg., (weight, lbs.)*	Nodular Cast Iron, 15.4 (34.0)	
End thrust taken by bearing (no.)	Two	
Length & number of main bearings	21.95, Four	
Seal (material, one, two piece design, etc.)	Front	Rubber Lip, One Piece
	Rear	Rubber Lip, One Piece

### Engine - Lubrication System

Normal oil pressure kPa (psi) at engine rpm	414 (60) @ 2000
Type oil intake (floating, stationary)	Stationary
Oil filter system (full flow, part, other)	Full Flow
Capacity of crcase, less filter-refill-L (qt.)	3.78 (4.0)

### Engine - Diesel Information

(NOT APPLICABLE)

Diesel engine manufacturer	
Glow plug, current drain at 0°F.	
Injector nozzle	Type
	Opening pressure kPa (psi)
Pre-chamber design	
Fuel injection pump	Manufacturer
	Type
Fuel injection pump drive (belt, chain, gear)	
Supplementary vacuum source (type)	
Fuel heater (yes/no)	
Water separator, description (std., opt.)	
Turbo manufacturer	
Oil cooler-type (oil to engine coolant; oil to ambient air)	
Oil filter	

### Engine - Intake System

(NOT APPLICABLE)

Turbo charger - manufacturer	
Super charger - manufacturer	
Intercooler	

\* Finished State

# MVMA Specifications

Vehicle Line LUMINA  
 Model Year 1999      Issued \_\_\_\_\_      Revised (●) \_\_\_\_\_

## METRIC (U.S. Customary)

Engine Description  
 Engine Code

3.1 LITER V6  
 L82

### Engine - Cooling System

Coolant recovery system (std., opt., n.a.)		Standard	
Coolant fill location (rad., bottle)		Bottle	
Radiator cap relief valve pressure kPa (psi)		103.4 (15.0)	
Circulation thermostat	Type (choke, bypass)	Bypass	
	Starts to open at °C (°F)	90 (195)	
Water pump	Type (centrifugal, other)	Centrifugal	
	GPM 1000 pump rpm	12	
	Number of pumps	One	
	Drive (V-belt, other)	Poly V-Belt	
	Bearing type	Double Row (Ball/Roller)	
	Impeller material	Cast Iron	
Housing material		Aluminum	
By-pass recirculation type (inter., ext.)		External, Bypass	
Cooling System capacity	With heater - L (qt.)	10.7 (11.3)	
	With air conditioner - L (qt.)	10.7 (11.3)	
	Opt. equipment spec'ry - L (qt.)	Not Applicable	
Water jackets full length of cyl. (yes, no)		No	
Water all around cylinder (yes, no)		Yes	
Water jackets open at head face (yes, no)		Yes (partially)	
Radiator core	Std., A/C, HD	A/C is Standard Equipment	
	Type (cross-flow, etc.)	Cross-Flow	
	Construction (fin & tube mechanical, braze, etc.)	High Efficiency Radiator (H.E.R.), Fin & Tube	
	Material, mass kg (wt., lbs.)	Aluminum, 3.22 (7.16)	
	Width	774.0 mm (30.5 in.)	
	Height	382.4 mm (15.0 in.)	
	Thickness	16.0 mm (0.630 in.)	
Fins per inch		20.0, 2.5 mm	
Radiator end tank material		Plastic	
Fan	Std., elec., opt.	Electric	Electric
	Number of blades & type (flex, solid, material)	Seven Blades, Solid, Plastic	Seven Blades, Solid, Plastic
	Number & location (front, rear) of radiator	Rear (LH)	Rear (RH)
	Diameter & projected width	360.0 mm (14.2 in.), Diameter	360.0 mm (14.2 in.), Diameter
	Ratio (fan to crankshaft rev.)	Not Applicable	Not Applicable
	Fan output type	ECM Controlled	ECM Controlled
	Drive type (direct, remote)	Direct	Direct
	RPM at idle (elec.)	1800 Primary	1650 Secondary
	Motor rating (wattage/elec.)	150 W	90 W
	Motor switch (type & location/elec.)	Engine Mounted Coolant Temp. Sensor, A/C Liquid Line Press. Switch or Transducer	(Same)
	Switch point (temp./pressure/elec.)	(See Below)	(See Below)
	Fan shroud (material)	Not Available	Not Available

<b>PRIMARY FAN (LH)</b>	<b>ON</b>	<b>OFF</b>	<b>SECONDARY FAN (RH)</b>	<b>ON</b>	<b>OFF</b>
A/C Head Pressure or Engine Coolant	190 PSI 223 deg. F.	140 PSI 216 deg. F.	A/C Head Pressure or Engine Coolant	240 PSI 235 deg. F.	190 PSI 228 deg. F.

# MVMA Specifications

Vehicle Line LUMINA  
 Model Year 1999 Issued \_\_\_\_\_ Revised (●) \_\_\_\_\_

## METRIC (U.S. Customary)

Engine Description  
 Engine Code

3.8 LITER V6  
 L36

### Engine - Cooling System

Coolant recovery system (std., opt., n.a.)		Standard		
Coolant fill location (rad., bottle)		Bottle		
Radiator cap relief valve pressure kPa (psi)		103.4 (15.0)		
Circulation thermostat	Type (choke, bypass)	Bypass		
	Starts to open at °C (°F)	90 (194)		
Water pump	Type (centrifugal, other)	Centrifugal		
	GMP 1000 pump rpm	10		
	Number of pumps	One		
	Drive (V-belt, other)	Poly V-Belt		
	Bearing type	Double Row (Ball/Roller)		
	Impeller material	Steel		
Housing material		Aluminum		
By-pass recirculation type (inter., ext.)		External		
Cooling System capacity	With heater - L (qt.)	11.03 (11.7)		
	With air conditioner - L (qt.)	11.03 (11.7)		
	Opt. equipment specify - L (qt.)	Not Available		
Water jackets full length of cyl. (yes, no)		Yes		
Water all around cylinder (yes, no)		Yes		
Water jackets open at head face (yes, no)		Yes		
Radiator core	Std., A/C, HD	A/C is Standard Equipment		
	Type (cross-flow, etc.)	Cross-Flow		
	Construction (fin & tube mechanical, brazed, etc.)	High Efficiency Radiator (H.E.R.) Fin & Tube		
	Material, mass kg (wgt., lbs.)	Aluminum, 3.2 (7.05)		
	Width	774.0 mm (30.5 in.)		
	Height	382.0 mm (15.0 in.)		
	Thickness	16.0 mm (0.630 in.)		
	Fins per inch	20, 2.5 mm		
Radiator end tank material		Plastic		
Fan	Std., elec., opt.	Electric	Electric	
	Number of blades & type (flex, solid, material)	Seven Blades, Solid, Plastic	Seven Blades, Solid, Plastic	
	Number & location (front, rear of radiator)	Rear (LH)	Rear (RH)	
	Diameter & projected width	360 mm (14.2 in.) Diameter	360 mm (14.2 in.) Diameter	
	Ratio (fan to crankshaft rev.)	Not Applicable	Not Applicable	
	Fan cutout type	PCM Controlled	PCM Controlled	
	Drive type (direct, remote)	Direct	Direct	
	RPM at idle (elec.)	1650 RPM (Parallel Mode)	1500 RPM (Parallel Mode)	
	Motor rating (wattage/elec.)	90 W	115 W	
	Motor switch (type & location/elec.)	Engine Mounted Coolant Temp. Sensor, A/C liquid Line Press. Switch or Transducer	Same	
	Switch point (temp./pressure/elec.)	Series Mode (Both Low Fan Speed)		Parallel Mode (Both High Fan Speed)
		Engine Coolant or A/C head Pressure with Vehicle Speed	On: 222.8° F Off: 219.2° F	On: 230° F Off: 226.4° F
		On: 190 PSI & Below 70 MPH	Off: 140 PSI or 75+MPH	On: 240 PSI & Below 48 MPH Off: 190 PSI or 50+MPH
Fan shroud (material)		Not Applicable		

# MVMA Specifications

Vehicle Line LUMINA  
 Model Year '999 Issued \_\_\_\_\_ Revised (●) \_\_\_\_\_

## METRIC (U.S. Customary)

Engine Description **3.1 LITER V6**  
 Engine Code **L82**

### Engine - Fuel System (See Supplemental page for details of Fuel Injection, Supercharger, Turbocharger, etc. if used.)

Induction type: carburetor, fuel injection system, etc.		Sequential Fuel Injection
Manufacturer		Delphi
Carburetor no. of barrels		Not Applicable
Idle A/F mix.		PCM Controlled
Fuel injection	Point of injection (no.)	Ports (Six)
	Constant, pulse, flow	Pulse
	Control (electronic, mech.)	Electronic
	System pressure kPa (psi)	300 (43.5)
Idle speed-rpm (spec. neutral or drive and propane if used)	Manual	Not Applicable
	Automatic	PCM Controlled
Intake manifold heat control (exhaust or water thermostatic or fixed)		Fixed
Air cleaner type		Replaceable Paper Element
Fuel filter (type/location)		Inline, Replaceable / Near Fuel Tank
Fuel pump	Type (elec. or mech.)	Electric
	Location (eng., tank)	Tank
	Pressure range kPa (psi)	0-300 (0-43.5)
	Flow rate at regulated pressure L (gal)/hr @ kPa (psi)	72.0 @ 300 (19 @ 43.5)

### Fuel Tank

Capacity refill L (gallons)		62.8 (16.6)
Location (describe)		Underbody, Forward of Cross Member
Attachment		Two Steel Straps w/Four Vertical Fasteners
Material & Mass kg. (weight lbs.)		Stamped Zinc/Nickle Steel Upper & Lower w/Perimeter Seam Weld, 11.388 (25.065)
Filler pipe	Location & material	Left Rear Quarter Panel-Steel
	Connection to tank	Flexible Hose - Low Permeation
Fuel line (material)		Steel & Nylon - Low Permeation, High Conductivity Nylon
Fuel hose (material)		Nylon - Low Permeation, High Conductivity
Return line (material)		Steel & Nylon - Low Permeation, High Conductivity
Vapor line (material)		Steel & Nylon - Low Permeation
Extended range tank	Opt., n.a.	Not Available
	Capacity L (gallons)	Not Available
	Location & material	Not Available
	Attachment	Not Available
Auxiliary tank	Opt., n.a.	Not Available
	Capacity L (gallons)	Not Available
	Location & material	Not Available
	Attachment	Not Available
	Selector switch or valve	Not Available
Separate fill		Not Available

# MVMA Specifications

Vehicle Line LUMINA  
 Model Year 1999 Issue            Revised (●)           

## METRIC (U.S. Customary)

Engine Description **3.8 LITER V6**  
 Engine Code **L35**

### Engine - Fuel System (See Supplemental page for details of Fuel Injection, Supercharger, Turbocharger, etc. if used.)

Induction type: carburetor, fuel injection system, etc.		Sequential Fuel Injection
Manufacturer		Bosch
Carburetor no. of barrels		Not Applicable
Idle A/F mix.		PCM Controlled
Fuel injection	Point of injection (no.)	Ports (Six)
	Constant, pulse, flow	Pulse
	Control (electronic, mech.)	Electronic
	System pressure kPa (psi)	350 (50.8)
Idle speed-rpm (spec. neutral or drive and propane if used)	Manual	Not Applicable
	Automatic	PCM Controlled
Intake manifold heat control (exhaust or water thermostatic or fixed)		Throttle Body Water Heat; No Induction Air Heat
Air cleaner type		Replaceable paper Element
Fuel filter (type/location)		Inline, Replaceable / Near Fuel Tank
Fuel pump	Type (elec. or mech.)	Electric
	Location (eng., tank)	Tank
	Pressure range kPa (psi)	270-350 (39.2 - 50.8)
	Flow rate at regulated pressure L (gal)/hr @ kPa (psi)	111 @ 350 (29.3 @ 50.8)

### Fuel Tank

Capacity refill L (gallons)		62.8 (16.6)
Location (describe)		Underbody, Forward of Rear Cross Member
Attachment		Two Steel Straps w/Four Vertical Fasteners
Material & Mass kg. (weight lbs.)		Stamped Zinc/Nickel Steel Upper & Lower w/Perimeter Seam Weld, 11.338 (25.065)
Filler pipe	Location & material	Left Rear Quarter Panel-Steel
	Connection to tank	Flexible Hose - Low Permeation
Fuel line (material)		Steel & Low Permeation High Conductivity Nylon
Fuel hose (material)		Low Permeation High Conductivity Nylon
Return line (material)		Steel & Low Permeation High Conductivity Nylon
Vapor line (material)		Steel & Low Permeation High Conductivity Nylon
Extended range tank	Opt., n.a.	Not Available
	Capacity L (gallons)	Not Available
	Location & material	Not Available
	Attachment	Not Available
Auxiliary tank	Opt., n.a.	Not Available
	Capacity L (gallons)	Not Available
	Location & material	Not Available
	Attachment	Not Available
	Selector switch or valve	Not Available
Separate fill		Not Available

# MVMA Specifications

Vehicle Line LUMINA  
 Model Year 1999 Issued \_\_\_\_\_ Revised (●) \_\_\_\_\_

## METRIC (U.S. Customary)

Engine Description  
 Engine Code

3.1 LITER V6  
 L82

### Vehicle Emission Control

Type (air injection, engine modifications, other)		See Below		
Exhaust Emission Control	Air injection	Pump or pulse	Not Applicable	
		Driven by	Not Applicable	
		Air distribution (head, manifold, etc.)	Not Applicable	
		Point of entry	Not Applicable	
	Exhaust Gas Recirculation	Type (controlled flow, open orifice, other)	Controlled Flow	
		Exhaust source	Exhaust Manifold	
		Point of exhaust injection (spacer, carburetor, manifold, other)	Intake Manifold	
	Catalytic Converter	Type	Three Way Catalyst	
		Number of	One	
		Locations(s)	Underbody	
Volume L (in <sup>3</sup> )		2.67 (163)		
Substrate type		Monolith/Ceramic		
Noble metal type		Platinum / Palladium / Rhodium		
Noble metal concentration (g/cm <sup>2</sup> )				
Crankcase Emission Control	Type (ventilates to atmosphere, induction system, other)		Induction System	
	Energy source (manifold vacuum, carburetor, other)		Manifold Vacuum	
	Discharges to (intake manifold, other)		Intake Manifold	
	Air inlet (breather cap, other)		Right Rear Rocker Arm Cover	
Evaporative Emission Control	Vapor vented to (crankcase, canister, other)	From Fuel Tank To	Canister	
		From Carburetor To	Not Applicable	
	Vapor storage provision		Canister	
Electronic system	Closed loop (yes/no)		Yes	
	Open loop (yes/no)		No	

### Engine - Exhaust System

Type (single, single with cross-over, dual, other)		Single w/Crossover
○	Muffler no. & type (reverse flow, straight thru, separate resonator) . Muffler volume (liters), Material & Mass kg. (weight lbs.)	Single, Reverse Flow, 17.0L, 409 Stainless Steel
○	Resonator no., type, & volume (liters)	Round Bottle, Straight Thru, 2.4L
Exhaust pipe	Branch o.d., wall thickness	N/A
	Main o.d., wall thickness	N/A
	Material & Mass kg. (weight lbs.)	N/A
Intermediate pipe	o.d. & wall thickness	50.8 x 1.1 mm (2.0 x 0.043 in.)
	Material & Mass kg. (weight lbs.)	409 Stainless Steel
Tail pipe	o.d. & wall thickness	50.8 x 1.1 mm (2.0 x 0.043 in.)
	Material & Mass kg. (weight lbs.)	409 Stainless Steel - Painted Black



# MVMA Specifications

Vehicle Line LUMINA  
 Model Year 1999 Issued \_\_\_\_\_ Revised (●) \_\_\_\_\_

## METRIC (U.S. Customary)

Engine Description	3.8 LITER V6
Engine Code	L36

### Vehicle Emission Control

Type (air injection, engine modifications, other)		See Below	
Exhaust Emission Control	Air injection	Pump or pulse	Not Applicable
		Driven by	Not Applicable
		Air distribution (head, manifold, etc.)	Not Applicable
		Point of entry	Not Applicable
	Exhaust Gas Recirculation	Type (controlled flow, open orifice, other)	Controlled Flow
		Exhaust source	Exhaust Manifold
		Point of exhaust injection (spacer, carburetor, manifold, other)	Intake Manifold
	Catalytic Converter	Type	Three Way Catalyst
		Number of	One
		Locations(s)	Underbody
Volume L (in <sup>3</sup> )		2.67 (163)	
Substrate type		Ceramic/Monolith	
Noble metal type		Platinum, Rhodium, Palladium	
Noble metal concentration (g/cm <sup>2</sup> )		0.001346	
Crankcase Emission Control	Type (ventilates to atmosphere, induction system, other)		Positive Ventilation to Induction System
	Energy source (manifold vacuum, carburetor, other)		Manifold Vacuum
	Discharges to (intake manifold, other)		Inlet Manifold
	Air inlet (breather cap, other)		Throttle Body
Evaporative Emission Control	Vapor vented to (crankcase, canister, other)	From Fuel Tank To	Canister
		From Carburetor To	Not Applicable
	Vapor storage provision		Canister
Electronic system	Closed loop (yes/no)		Yes
	Open loop (yes/no)		No

### Engine - Exhaust System

Type (single, single with cross-over, dual, other)		Dual, w/Crossover
⊗	Muffler no. & type (reverse flow, straight thru, separate resonator), Muffler volume (liters), Material & Mass kg. (weight lbs.)	Dual, Reverse Flow, 22.2 L, 409 Stainless Steel
⊗	Resonator no., type, & volume (liters)	Round Bottle, Straight Thru, 2.4L
Exhaust pipe	Branch o.d., wall thickness	Not Applicable
	Main o.d., wall thickness	Not Applicable
	Material & Mass kg. (weight lbs.)	Not Applicable
Intermediate pipe	o.d. & wall thickness	57.2 x 1.4 mm, Legs 50.8 x 1.4 mm (2.25 x 0.055 in.)
	Material & Mass kg. (weight lbs.)	409 Stainless Steel
Tail pipe	o.d. & wall thickness	Two @ 57.2 x 1.2 mm, (2.25 x .055 in.)
	Material & Mass kg. (weight lbs.)	409 Stainless Steel -Painted Black

# MVMA Specifications

Vehicle Line LUMINA  
 Model Year '999 Issued \_\_\_\_\_ Revised (●) \_\_\_\_\_

## METRIC (U.S. Customary)

Engine Description 3.1 LITER V6  
 Engine Code L82

### Transmissions/Transaxle (Std., Opt., N.A.)

Manual 4-speed (manufacturer/country)	Not Available
Manual 5-speed (manufacturer/country)	Not Available
Manual 6-speed (manufacturer/country)	Not Available
Automatic (manufacturer/country)	Not Available
Automatic overdrive (manufacturer/country)	Hydra-Matic/U.S.A.

### Manual Transmission/Transaxle (NOT APPLICABLE)

Number of forward speeds		
Gear ratios	1st	
	2nd	
	3rd	
	4th	
	5th	
	6th	
	Reverse	
Synchronous meshing (specify gears)		
Shift lever location		
Trans. case material & mass kg. (lbs.)*		
Lubricant	Capacity L (pt.)	
	Type recommended	

### Clutch (Manual Transmission) (NOT APPLICABLE)

Clutch manufacturer		
Clutch type (dry, wet, single, multiple disc)		
Linkage (hydraulic, cable, rod, lever, other)		
Max. pedal effort (nom. spring load) N (lbs.)	Depressed	
	Released	
Assist (spring, power) percent, nominal		
Type pressure plate springs		
Total spring load (nominal) N (lbs.)		
Clutch facing	Facing mfg. & material coding	
	Facing material & construction	
	Rivets per facing	
	Outside x inside dia. (nominal)	
	Total eff. area cm <sup>2</sup> (in. <sup>2</sup> )	
	Thickness (pressure plate side/fly wheel side)	
	Rivet depth (pressure plate side/fly wheel side)	
Engagement cushion method		
Release bearing type & method lub.		
Torsional damping method, springs, hysteresis		

\* Includes shift linkage, lubricant, and clutch housing. If other specify.

# MVMA Specifications

Vehicle Line LUMINA  
 Model Year 1999 Issue            Revised (●)           

## METRIC (U.S. Customary)

Engine Description 3.8 LITER V6  
 Engine Code L36

### Transmissions/Transaxle (Std., Opt., N.A.)

Manual 4-speed (manufacturer/country)	Not Applicable
Manual 5-speed (manufacturer/country)	Not Applicable
Manual 6-speed (manufacturer/country)	Not Applicable
Automatic (manufacturer/country)	Not applicable
Automatic overdrive (manufacturer/country)	Gm Powertrain Group, USA

### Manual Transmission/Transaxle (NOT APPLICABLE)

Number of forward speeds		
Gear ratios	1st	
	2nd	
	3rd	
	4th	
	5th	
	6th	
	Reverse	
Synchronous meshing (specify gears)		
Shift lever location		
Trans. case material & mass kg. (lbs.)*		
Lubricant	Capacity L (pt.)	
	Type recommended	

### Clutch (Manual Transmission) (NOT APPLICABLE)

Clutch manufacturer		
Clutch type (dry, wet single, multiple disc)		
Linkage (hydraulic, cable, rod, lever, other)		
Max. pedal effort (nom. spring load) N (lbs.)	Depressed	
	Released	
Assist (spring, powerpercent. nominal)		
Type pressure plate springs		
Total spring load (nominal) N (lbs.)		
Clutch facing	Facing mfg. & material coding	
	Facing material & construction	
	Rivets per facing	
	Outside x inside dia. (nominal)	
	Total eff. area cm <sup>2</sup> (in. <sup>2</sup> )	
	Thickness (pressure plate side/fly wheel side)	
	Rivet depth (pressure plate side/fly wheel side)	
Engagement cushion method		
Release bearing type & method lub.		
Torsional damping method, springs, hysteresis		

\* Includes snift linkage, lubricant, and clutch housing. If other specify.

# MVMA Specifications

Vehicle Line LUMINA  
 Model Year 1999 Issue            Revised (●)           

## METRIC (U.S. Customary)

Engine Description	3.1 LITER V6 L82
Engine Code	

### Automatic Transmission/Transaxle

Trade Name		Hydra-Matic 4T60-E Transaxle - ECCC
Type and special features (describe)		Four-Speed Automatic w/Torque Converter Clutch
Shift mechanics		Hydraulic Clutches/Electronic Controls
Gear selector	Location (column, floor, other)	Column & Floor (Mechanical)
	Ltr./No. designation (e.g. PRND21)	P-R-N-(D)-D-2-1
	Shift interlock (yes, no, describe)	Yes - Brake, Ignition Key
Gear ratios	1st	2.92
	2nd	1.57
	3rd	1.00
	4th	0.70
	5th	Not Applicable
	6th	Not Applicable
	Reverse	2.38
	Final drive ratio	3.29
Max. upshift vehicle speed - drive range km/h (mph)		One - Two = 66 (41)      Three - Four = 163 (101) Two - Three = 124 (77)
Max. upshift engine speed RPM		5600
Max. kickdown speed - drive range km/h (mph)		Two - One = 48 (30)      Four - Three: 151 (94) Three - Two = 113 (70)
Min. overdrive speed km/h (mph)		50 (31) Minimum 4-3
Torque converter	Type	ECCC
	Torus design	Yes
	Number of elements	Three
	Max. ratio at stall	1.95
	Type of cooling (air, liquid)	Liquid
	Nominal diameter	245.0 mm
Capacity factor "K"		180
Pump type		Variable Displacement Vane
Lubricant	Capacity refill L. (qts.)	12.7 (13.4) Dry
	Type recommended	Dexron III
Oil cooler (std., opt., N.A., internal, external, air, liquid)		Standard, Integral with Radiator
Transmission mass kg (lbs.) & case material**		81.0 (178.50), Cast Aluminum

### All Wheel / 4 Wheel Drive

(NOT APPLICABLE)

Description & type (part-time, full-time, 2/4 shift while moving, mechanical, elect., chain/gear, etc.)		
Transfer case	Manufacturer and model	
	Type and location	
Low-range gear ratio		
System disconnect (describe)		
Center differential	Type (bevel, planetary, w or w/o viscous bias, torsen, etc.)	
	Torque split (% front/rear)	

\* Input speed +  $\sqrt{\text{torque}}$

\*\* Dry weight including torque converter. If other, specify.

# MVMA Specifications

Vehicle Line LUMINA  
 Model Year 1999 Issued \_\_\_\_\_ Revised (●) \_\_\_\_\_

## METRIC (U.S. Customary)

Engine Description	3.8 LITER V6
Engine Code	L36

### Automatic Transmission/Transaxle

Trade Name	Hydra-Matic 4T65E Transaxle	
Type and special features (describe)	Four Speed, Front Wheel Drive, Electronically Controlled, Automatic Transaxle with Torque Converter Clutch and Overdrive	
Shift mechanics	Hydraulic Clutches/Electronic Controls	
Gear selector	Location (column, floor, other)	Floor
	Ltr./No. designation (e.g. PRND21)	P - R - N - <b>D</b> D - 2 - 1
	Shift interlock (yes, no, describe)	Yes - Brake, Ignition Key
Gear ratios	1st	2.92
	2nd	1.57
	3rd	1.00
	4th	0.71
	5th	Not Applicable
	6th	Not Applicable
	Reverse	2.39
	Final drive ratio	3.05
Max. upshift vehicle speed - drive range km/h (mph)	One - Two = 77 (48) Three - Four = 185 (115) Two - Three = 138 (86)	
Max. upshift engine speed RPM	6500	
Max. kickdown speed - drive range km/h (mph)	Two - One = 59 (37) Three - Two = 122 (76)	
Min. overdrive speed km/h (mph)	67 (42)	
Torque converter	Type	ECCC
	Torus design	Yes
	Number of elements	Three
	Max. ratio at stall	2.35
	Type of cooling (air, liquid)	Liquid
	Nominal diameter	245.0 mm (9.7 in.)
Capacity factor "K"	177	
Pump type	Variable Displacement Vane	
Lubricant	Capacity refill L (pt.)	12.7 (26.8), Dry Transmission
	Type recommended	Dexron III
Oil cooler (std., opt., N.A., internal, external, air, liquid)	Standard, Integral with Radiator	
Transmission mass kg (lbs.) & case material**	93.63 (206.4) Wet, Cast Aluminum	

### All Wheel / 4 Wheel Drive

(NOT APPLICABLE)

Description & type (part-time, full-time, 2/4 shift while moving, mechanical, elect., chain/gear, etc.)	
Transfer case	Manufacturer and model
	Type and location
Low-range gear ratio	
System disconnect (describe)	
Center differential	Type (bevel, planetary, w or w/o viscous bias, torsen, etc.)
	Torque split (% front/rear)

\* Input speed +  $\sqrt{\text{torque}}$

\*\* Dry weight including torque converter. If other, specify.

# MVMA Specifications

Vehicle Line LUMINA  
 Model Year 1999 issued \_\_\_\_\_ Revised (●) \_\_\_\_\_

## METRIC (U.S. Customary)

Engine Description	3.1 LITER V6
Engine Code	L82

### Axle Ratio and Tooth Combinations (See 'Power Teams' for axle ratio usage)

Effective final drive ratio (or overall top gear ratio)		3.33 (2.35)
Transfer ratio and method (chain, gear, etc.)		1.00 Chain
Front drive unit	Ring gear o.d.	Not Applicable
	No. of teeth	Not Applicable
	Pinion	Not Applicable
	Ring gear	Not Applicable

### Front Drive Unit

Description (integral to trans., etc.)		Planetary Final Drive Integral with Transmission
Limited slip differential (type)		Not Applicable
Drive pinion	Type	Not Applicable
	Offset	Not Applicable
No. of differential pinions		Two
Pinion / differential	Adjustment (shim, etc.)	Not Applicable
	Bearing adjustment	Not Applicable
Driving wheel bearing (type)		
Lubricant	Capacity L (pt.)	8.0 (16.9)
	Type recommended	Dexron II

### Axle Shafts - Front Wheel Drive

Manufacturer and number used		Two Per Car		
Type (straight, solid bar, tubular, etc.)		Left	Straight Solid Bar	
		Right	Straight Solid Bar	
Outer diam. x length* x wall thickness	Manual Transaxle	Left	Not Applicable	
		Right	Not Applicable	
	Automatic transaxle	Left	27.1 x 326.0 mm (1.07 x 12.83 in.)	
		Right	27.1 x 363.0 mm (1.07 x 14.19 in.)	
	Optional transaxle	Left	Not Applicable	
		Right	Not Applicable	
Slip yoke	Type	-		
	Number of teeth	-		
	Spline o.d.	-		
Universal joints	Make and mfg. no.	Inner	Delphi Saginaw Steering Systems	
		Outer	Delphi Saginaw Steering Systems	
	Number used		Four, Two on Each Shaft	
	Type, size, plunge	Inner	Tripot Joint, 27 Size 66.0 mm Plunge	
		Outer	Rzeppa Joint; Fixed, 27 Size	
	Attach (u-bolt, clamp, etc.)		Inboard Joint - Snap Ring, Outboard Joint (Integral Washer - Clamping)	
	Bearing	Type (plain, anti-friction)	Inboard Joint: Ball Bearing, Needle Roller Bearing (Anti-Friction Bearing) Outboard Joint: Ball Bearing	
Lubrication (fitting, prepack)		Prepacked		
Drive taken through (torque tube, arms or springs)		Wishbone Lower Control Arm, Upper MacPherson Strut		
Torque taken through (torque tube, arms or springs)		Engine Mounting System		

\* Centerline to centerline of universal joints, or to centerline of attachment.

# MVMA Specifications

Vehicle Line LUMINA  
 Model Year 1999 Issued \_\_\_\_\_ Revised (●) \_\_\_\_\_

## METRIC (U.S. Customary)

Engine Description	3.8 LITER V6
Engine Code	L36

### Axle Ratio and Tooth Combinations (See 'Power Teams' for axle ratio usage)

Effective final drive ratio (or overall top gear ratio)	3.43 (2.41)	
Transfer ratio and method (chain, gear, etc.)		
Front drive unit	Ring gear o.d.	
	No. of teeth	Pinion
		Ring gear

### Front Drive Unit

Description (integral to trans., etc.)	Integral to Transmission	
Limited slip differential (type)	Not Applicable	
Drive pinion	Type	Not Applicable
	Offset	Not Applicable
No. of differential pinions	Two	
Pinion / differential	Adjustment (shim, etc.)	Not Applicable
	Bearing adjustment	Not Applicable
Driving wheel bearing (type)	Sealed Ball Bearing	
Lubricant	Capacity L (pt.)	
	Type recommended	

### Axle Shafts - Front Wheel Drive

Manufacturer and number used		Delphi Saginaw Steering Systems, Two		
Type (straight, solid bar, tubular, etc.)	Left	Straight Solid Bar		
	Right	Straight Solid Bar		
Outer diam. x length* x wall thickness	Manual Transaxle	Left	Not Applicable	
		Right	Not Applicable	
	Automatic transaxle	Left	27.8 x 323.0 mm (1.09 X 12.7in.)	
		Right	27.8 x 353.0 mm (1.09 x 13.9 in.)	
	Optional transaxle	Left	Not Available	
		Right	Not Available	
Slip yoke	Type	Not Applicable		
	Number of teeth	Not Applicable		
	Spline o.d.	Not Applicable		
Universal joints	Make and mfg. no.	Inner	Delphi Saginaw Steering Systems	
		Outer	Delphi Saginaw Steering Systems	
	Number used	Inboard & Outboard on Each Shaft Assembly		
	Type, size, plunge	Inner	Tripot Joint, 32 Size 66.0 mm Plunge	
		Outer	Rzeppa Joint, Fixed Center, 32 Size	
	Attach (u-bolt, clamp, etc.)	Snap Ring (Inboard) Integral Washer (Outboard)		
Bearing	Type (plain, anti-friction)	Inner - Ball & Roller Outer - Ball		
	Lubrication (fitting, prepack)	Prepacked		
Drive taken through (torque tube, arms or springs)		Wishbone Lower Control Arm, Upper MacPherson Strut		
Torque taken through (torque tube, arms or springs)		Engine Mounting System		

\* Centerline to centerline of universal joints, or to centerline of attachment.

# MVMA Specifications

Vehicle Line LUMINA  
 Model Year 1999 Issued \_\_\_\_\_ Revised (●) \_\_\_\_\_

## METRIC (U.S. Customary)

Model Code/Description And/Or  
 Engine Code/Description

3.1 LITER V6  
 L82

### Suspension - General Including Electronic Controls

Car leveling	Standard/optional/not available		Not Available	
	Manual/automatic control		Not Available	
	Type (air/hydraulic)		Not Available	
	Primary/assist spring		Not Available	
	Rear only/4 wheel leveling		Not Available	
	Single/dual rate spring		Not Available	
	Single/dual ride heights		Not Available	
	Provision for jacking		Body Rails. Under Rocker Panels: Jack Pad at Center of Rear Crossmember	
Shock absorber damping controls	Standard/optional/not available		Not Available	
	Manual/automatic control		Not Available	
	Number of damping rates		Not Available	
	Type of actuation (manual/ electric motor/air. etc.)		Not Available	
	Sensors	Lateral acceleration		Not Available
		Deceleration		Not Available
		Acceleration		Not Available
Road surface		Not Available		
Shock absorber (front & rear)	Type		MacPherson Strut Front. MacPherson Strut Rear	
	Make		Delphi Chassis Systems	
	Piston diameter		35.0 mm (1.38 in.)	
	Rod diameter		25.0 mm (1.00 in.)	

### Suspension - Front

Type and description		MacPherson Strut with Coil Springs, One-Piece "A" Configuration Lower Control Arms
Travel	Full jounce (define load condition)	78.0 mm (3.07 in.)
	Full rebound	95.0 mm (3.74 in.)
Spring	Type (coil, leaf, other & material)	
	Insulators (type & material)	
	Size (Leaf: length & width; Coil: design height & l.d.; Bar: length & diameter)	
	Spring rate N/mm (lb./in.)	
	Rate at wheel N/mm (lb./in.)	
Stabilizer	Type (link, linkless, frameless)	
	Material & O.D. bar/tube, wall thickness	

### Suspension - Rear

Type and description		Tri-Link Independent MacPherson Strut with Coil Springs, Lateral Links Attached to Body Cross Member. Trailing Arms	
Travel	Full jounce (define load condition)	102.0 mm (4.02 in.)	
	Full rebound	105.0 mm (4.13 in.)	
Spring	Type (coil, leaf, other & material)		
	Size (Leaf: length & width; Coil: design height & l.d.; Bar: length & diameter)		
	Spring rate N/mm (lb./in.)		
	Rate at wheel N/mm (lb./in.)		
	Insulators (type & material)		
	If leaf	No. of leaves	-
		Shackle (comp. or tens.)	-
Stabilizer	Type (link, linkless, frameless)		
	Material & O.D. bar/tube, wall thickness		
Track bar (type)		Not Applicable	



# MVMA Specifications

Vehicle Line LUMINA  
 Model Year 1999 Issued \_\_\_\_\_ Revised (●) \_\_\_\_\_

## METRIC (U.S. Customary)

Model Code/Description And/Or  
 Engine Code/Description

3.8 LITER V6  
 L36

### Suspension - General Including Electronic Controls

Car leveling	Standard/optional/not available	Not Available	
	Manual/automatic control	Not Available	
	Type (air/hydraulic)	Not Available	
	Primary/assist spring	Not Available	
	Rear only/4 wheel leveling	Not Available	
	Single/dual rate spring	Not Available	
	Single/dual ride heights	Not Available	
	Provision for jacking	Body Rails, Under Rocker Panels; Jack Pad at Center of Rear Crossmember	
Shock absorber damping controls	Standard/option/not available	Not Available	
	Manual/automatic control	Not Available	
	Number of damping rates	Not Available	
	Type of actuation (manual/electric motor/air, etc.)	Not Available	
	Sensors	Lateral acceleration	Not Available
		Deceleration	Not Available
Acceleration		Not Available	
Road surface		Not Available	
Shock absorber (front & rear)	Type	MacPherson Strut Front, MacPherson Strut Rear	
	Make	Delco Chassis Division	
	Piston diameter	35.0 mm (1.38 in.)	
	Rod diameter	25.0 mm (1.00 in.)	

### Suspension - Front

Type and description		MacPherson Strut with Coil Springs, One-Piece "A" Configuration Lower Control Arms
Travel	Full bounce (define load condition)	78.0 mm (3.07 in.)
	Full rebound	95.0 mm (3.74 in.)
Spring	Type (coil, leaf, other & material)	Coil
	Insulators (type & material)	Rubber
	Size (Leaf: length & width; Coil: design height & I.d.; Bar: length & diameter)	Coil: 200.3 mm (7.89 in.); 173.0 mm (6.81 in.)
	Spring rate N/mm (lb./in.)	23.5 (134.2)
	Rate at wheel N/mm (lb./in.)	26.8 (153.0)
Stabilizer	Type (link, linkless, frameless)	Linkless
	Material & O.D. bar/tube, wall thickness	Steel, 34.0 mm (1.34 in.) - Hollow (Wall Thickness = 5.1 mm)

### Suspension - Rear

Type and description		Tri-Link Independent MacPherson Strut with Coil Springs Lateral Links Attached to Body Cross Member, Trailing Arms	
Travel	Full bounce (define load condition)	102.0 mm (4.02 in.)	
	Full rebound	105.0 mm (4.13 in.)	
Spring	Type (coil, leaf, other & material)	Coil	
	Size (Leaf: length & width; Coil: design height & I.d.; Bar: length & diameter)	Coil: 224.0 mm (8.8 in.); 137.0 mm (5.4 in.)	
	Spring rate N/mm (lb./in.)	18.5 / 33.3 Variable Rate	
	Rate at wheel N/mm (lb./in.)	TBD	
	Insulators (type & material)	Rubber	
	If leaf	No. of leaves	-
		Shackle (comp. or tens.)	-
Stabilizer	Type (link, linkless, frameless)	Link	
	Material & O.D. bar/tube, wall thickness	Steel, 20.0 mm (0.79 in.) Solid	
Track bar (type)		Not Applicable	

# MVMA Specifications

Vehicle Line LUMINA  
 Model Year 1999 issued \_\_\_\_\_ Revised (●) \_\_\_\_\_

METRIC (U.S. Customary)

Model Code/Description And/Or Engine Code/Description ALL

## Brakes - Service

Description		Dual Piston Caliper - Front Disc; Single Piston Caliper - Rear Disc			
Manufacturer and brake type (std., opt., n.a.)	Front (disc or drum)	Disc (Optional packages - Disc)			
	Rear (disc or drum)	Drum (Optional packages - Disc)			
Valving type (proportion, delay, metering, other)		Proportioning			
Power brake (std., opt., n.a.)		Standard			
Booster type (remote, integral, vac., hyd., etc.)		Vacuum			
Vacuum	Source (inline, pump, etc.)	Inline			
	Reservoir (volume in. <sup>3</sup> )	Not Applicable			
	Pump-type (elec., gear or belt driven)	Not Applicable			
Traction assist	Operational speed range	Not Applicable			
	Type (engine or brake intervention)	Not Applicable			
Antilock device	Front/rear (std., opt., n.a.)	Standard - All Models Exc. Available on Base Sedan			
	Manufacturer	Delphi Chassis Systems			
	Type (electronic, mech.)	Electronic			
	Number sensors or circuits	Four			
	Number antilock hydraulic circuits	Four Separate Brake Lines/Three Controlled Channels (LF, RF, RR)			
	Integral or add-on system	Add-On Mounted to Master Cylinder			
	Yaw control (yes, no)	Yes			
Hyd. power source (elec. vac., mtr., pwr. strg.)		Not Applicable			
Effective area cm <sup>2</sup> (in. <sup>2</sup> )*		563.7 (87.4)			
Gross Lining area cm <sup>2</sup> (in. <sup>2</sup> )** (F/R)		F: 167.7 (26.0); R: 396.0 (61.4)			
Swept area cm <sup>2</sup> (in. <sup>2</sup> )*** (F/R)		F: 1165.2 (180.6); R: 636.0 (98.6)			
Rotor	Outer working diameter	F/R	F: 282.5 mm (11.1 in.); R: 278.0 mm (10.9 in.)		
	Inner working diameter	F/R	F: 206.0 mm (8.1 in.); R: 205.0 mm (8.1 in.)		
	Thickness	F/R	F: 26.3 mm (1.04 in.); R: 11.0 mm (0.43 in.)		
	Material & type (vented/solid)	F/R	F: Composite Vented; R: Composite Solid		
Drum	Diameter & width	F/R	225.0 x 45.0 mm (8.86 x 1.77 in.)		
	Type and material	F/R	Composite Solid		
Wheel cylinder bore		F: 42.0 mm (1.65 in.); R: 38.0 mm (1.50 in.)			
Master cylinder	Bore/stroke	F/R	Bore: 24.0 mm (0.94 in.); Stroke: 35.5 mm (1.40 in.)		
Pedal arc ratio		3.5:1			
Line press. at 445 N (100 lb.) pedal load (kPa (psi))		13600 kPa (1972 psi)			
Lining clearance		F/R	F: 0 / R: 0.38 mm (0.015 in.)		
Brake lining	Front wheel	Bonded or riveted (rivets/seg.)		Integrally Molded	
		Rivet Size		—	
		Manufacturer		Delphi Chassis Systems	
		Lining code *****		DM130EE	
		Material		Semi-Metallic	
		****	Primary or out-board	119.4 x 38.1 mm / (4.7 x 1.5 in.)	
		Size	Secondary or in-board	119.4 x 38.1 mm / (4.7 x 1.5 in.)	
	Shoe thickness (no lining)		4.98 mm (0.197 in.)		
	Rear wheel	Bonded or riveted (rivets/seg.)		Riveted (Drum) Integrally Molded (Disc)	
		Manufacturer		Delphi Chassis Systems	
		Lining code *****		DM131EE (Disc); 245FF (Drum)	
		Material		Semi-Metallic	
		****	Primary or out-board	225 x 44 x 6.4 mm (8.85 x 1.73 x 0.25 in.)	
		Size	Secondary or in-board	225 x 44 x 6.4 mm (8.85 x 1.73 x 0.25 in.)	
Shoe thickness (no lining)		2.0 mm (0.079 in.) (Drum); 5.0 mm (0.197 in.) (Disc)			

\* Excludes rivet holes, grooves, chamfers, etc. \*\* Includes rivet holes, grooves, chamfers, etc.  
 \*\*\* Total swept area for four brakes. (Drum brake: Widest lining contact width for each brake x its contact circumference.)  
 (Disc brake: Square of Outer Working Dia. minus Square of inner Working Dia. multiplied by Pi/2 for each brake.)  
 \*\*\*\* Size for drum brakes includes length x width x thickness. \*\*\*\*\* Manufacturer I.D., catalog for formulation designation and coefficient of friction classification.

# MVMA Specifications

Vehicle Line LUMINA  
 Model Year 1999 Issued \_\_\_\_\_ Revised (#) \_\_\_\_\_

## METRIC (U.S. Customary)

Model Code/Description And/Or  
 Engine Code/Description

ALL

### Tires And Wheels (Standard)

Tires	Size (service description)		P205/70R15 ALS BW (95 S)
	Type (bias, radial, steel, nylon, etc.)		Steel Belted Radial
	Inflation pressure (cold) for recommended max. vehicle load	Front kPa (psi)	207 (30)
		Rear kPa (psi)	207 (30)
	Rev./mile at 70 km/h (45 mph)		492 Rev/Km
Wheels	Type & material		Stamped Steel
	Rim (size & flange type)		15 x 6
	Wheel offset		42.0 mm
	Attachment	Type (bolt or stud & nut)	Stud (M12 x 1.5)
		Circle diameter	115 mm
Number & size		5 & M12	
Spare	Tire and wheel		Compact Spare T125/70D16 16 x 4 Wheel
	Storage position & location (describe)		Horizontal, Under Trunk Compartment Load Floor

### Tires And Wheels (Optional)

Tire size (service description)		P215/65R15 - Police (95 H)
Type (bias, radial, steel, nylon, etc.)		Steel Belted Radial
Wheel (type & material)		Stamped Steel
Rim (size, flange type and offset)		15 x 6 (42.0 mm Offset)
Tire size (service description)		
Type (bias, radial, steel, nylon, etc.)		
Wheel (type & material)		
Rim (size, flange type and offset)		
Tire size (service description)		P225/60R16 - AL2 BW (97 S)
Type (bias, radial, steel, nylon, etc.)		Steel Belted Radial
Wheel (type & material)		Cast Aluminum
Rim (size, flange type and offset)		16 x 6.5 (38 mm Offset)
Tire size (service description)		P225/60R16 - AL3 BW - Z34 (97 H)
Type (bias, radial, steel, nylon, etc.)		Steel Belted Radial
Wheel (type & material)		Cast Aluminum
Rim (size, flange type and offset)		16 x 6.5 (38.0 mm Offset)
Spare tire and wheel size		
(if configuration is different than road tire or wheel, describe optional spare tire and/or wheel location & storage position)		

### Brakes - Parking

Type of control		Single Stroke - Push to Release, Foot Pedal Application
Location of control		Left of Driver's Left Knee
Operates on		Rear Service Brakes
If separate from service brakes	Type (internal or external)	-
	Drum diameter	-
	Lining size (length x width x thickness)	-

# MVMA Specifications

Vehicle Line LUMINA  
 Model Year 1999 Issued \_\_\_\_\_ Revised (●) \_\_\_\_\_

## METRIC (U.S. Customary)

Model Code/Description And/Or  
 Engine Code/Description

ALL

### Steering

Manual (std., opt., n.a.)		Not Available		
Power (std., opt., n.a.)		Standard		
Speed-sensitive (std., opt., n.a.)		Not Available		
4-wheel steering (std., opt., n.a.)		Not Available		
Adjustable steering wheel/column (tilt, telescope, other)	Type	Tilt		
	Manufacturer	Saginaw Division		
	(std., opt., n.a.)	Standard		
Wheel diameter** (W9) SAE J1100	Manual	Not Available		
	Power	380.0 mm		
Turning diameter m (ft.)	Outside front	Wall to wall (l. & r.)	Sedan: FE1 - 12.91 (42.37); F41 - 13.56 (44.50)	
		Curb to curb (l. & r.)	FE1 - 11.2 (36.7); F41 - 11.88 (39.0)	
	Inside rear	Wall to wall (l. & r.)	Not Available	
		Curb to curb (l. & r.)	7.18 (23.6)	
Scrub Radius*		Base - 15.78 mm; Touring - 16.39; Sport - 24.05 mm		
Manual	Gear	Type	Not Available	
		Manufacturer	Not Available	
		Ratios	Not Available	
	No. wheel turns (stop to stop)	Not Available		
Power	Type (coaxial, elec. hyd., etc.)	Hydraulic		
	Manufacturer	Delphi Saginaw Steering Systems		
	Gear	Type	End Take-Off Rack and Pinion	
		Ratios	Gear	49.9 mm/Rev
		Overall	15.7:1	
	Pump (drive)	Belt		
No. wheel turns (stop to stop)	P205/70R15-2.76; (FE1) P225/60R16-2.60; (FE1) P225/60R16 RS-2.60 (F41)			
Linkage	Type	End Take-Off		
	Location (front or rear of wheels, other)	Rear		
	Tie rods (one or two)	Two		
Steering axis	Inclination at camber (deg.)		13.4	
	Bearings (type)	Upper	Ball Bearing	
		Lower	Ball Joint	
		Thrust	Not Applicable	
Steering spindle/knuckle & joint type		MacPherson Strut		

\* The horizontal distance in the front elevation between wheel centerline and kingpin (ball joint) axis at ground.  
 \*\* See Page 23.

# MVMA Specifications

Vehicle Line LUMINA  
 Model Year 1999 Issued \_\_\_\_\_ Revised (●) \_\_\_\_\_

## METRIC (U.S. Customary)

Model Code/Description And/Or  
 Engine Code/Description

ALL

### Wheel Alignment

Front wheel at curb mass (wt.)	Service checking	Caster (deg.)	1.8 ± 0.5
		Camber (deg.)	0.7 ± 0.5
		Toe-in outside track mm (in.)	0.0 ± 0.20 (Sum Toe)
	Service reset*	Caster (deg.)	Pre-set
		Camber (deg.)	0.7
		Toe-in mm (in.)	0.0
	Periodic M.V. inspection	Caster (deg.)	Pre-set
		Camber (deg.)	0.7
		Toe-in mm (in.)	0.0
Rear wheel at curb mass (wt.)	Service checking	Camber (deg.)	15" Wheel - 0.35 ± 0.5; 16" Wheel -0.45 ± 0.5
		Toe-in outside track (deg.)	0.0 ± 0.3 (Sum Toe)
	Service reset*	Camber (deg.)	15" Wheel -0.35 ± 0.5; 16" Wheel -0.45 ± 0.5
		Toe-in mm (deg.)	0.0 ± 0.3 (Sum Toe)
	Periodic M.V. insp.	Camber (deg.)	15" Wheel -0.35 ± 0.5; 16" Wheel -0.45 ± 0.5
		Toe-in mm (in.)	0.0 ± 0.3 (Sum Toe)

\* Indicates pre-set, adjustable, trend set or other.

### Electrical - Instruments and Equipment

Speedometer	Type (analog, digital, std., opt.)	Analog
	Trip odometer (std., opt., n.a.)	Mechanical
Head-up display	Standard, optional, not available	Not Available
	Type	Secondary, opto-electronic
	Speedometer	Digital
	Status/warning indicators	Turn signals, high beam, low fuel, check gauges
	Brightness control	Day / night mode, adjustable
EGR maintenance indicator		Not Available
Charge indicator	Type	Analog
	Warning device (light, audible)	Tell-Tale Light
Temperature indicator	Type	Analog
	Warning device (light, audible)	Tell-Tale Light
Oil pressure indicator	Type	Not Available
	Warning device (light, audible)	Tell-Tale Light
Fuel indicator	Type	Analog
	Warning device (light, audible)	Not Available
Windshield wiper	Type (standard)	Depressed Park/Pulse Wiper
	Type (optional)	Not Available
	Blade length	560 mm (22.0 in.)
	Swept area cm <sup>2</sup> (in. <sup>2</sup> )	7558.3 (1171.5)
Windshield washer	Type (standard)	Wet-Arm System
	Type (optional)	Not Available
	Fluid level indicator (light, audible)	Not Available
Rear window wiper, wiper/washer (std., opt., n.a.)		Not Available
Horn	Type	Vibrator
	Number used	Two
Other	PRNDL Odometer Tachometer	Mechanical Mechanical Analog

# MVMA Specifications

Vehicle Line LUMINA  
 Model Year 1999      Issued \_\_\_\_\_      Revised (●) \_\_\_\_\_

## METRIC (U.S. Customary)

Engine Description	3.1 LITER V6
Engine Code	

### Electrical - Supply System

Battery	Manufacturer	Delphi Energy & Engine Management Systems
	Model, std., (opt.)	SAE 78-600
	Voltage	12
	Amps at 0° F. cold crank	600
	Minutes-reserve capacity	115
	Amps/hrs.-20 hr. rate	69
Location		Engine Compartment
Alternator	Manufacturer	Delphi
	Rating (idle/max. rpm)	36/100 Amperes
	Ratio (alt. crank/rev.)	2.75
	Output at idle (rpm, park)	68 Amperes W/AC
	Optional (type & rating)	Not Applicable
Regulator	Type	Integral with Alternator

### Electrical - Starting System

Motor	Manufacturer	Delphi
	Current drain -29 (-20) °C (°F)	325 Amperes
	Power rating kw (hp)	1.4 (1.9)
Motor drive	Engagement type	Solenoid Actuated, Positive Engagement
	Pinion engages from (front, rear)	Front

### Electrical - Ignition System

Type	Electronic (std., opt., n.a.)	Standard	
	Other (specify)	None	
Coil	Manufacturer	Delphi	
	Model	Direct Ignition	
	Current	Engine stopped - A	Less than 100 mA
		Engine idling - A	Less than 1.5 A (Avg.)
Spark plug	Manufacturer	Delphi	
	Model	41-940	
	Thread (mm)	14	
	Tightening torque N-m (lb. ft.)	9-20 (7-15)	
	Gap	1.5 mm	
	Number per cylinder	One	
Distributor	Manufacturer	Not Applicable	
	Model	Not Applicable	

### Electrical - Suppression

Locations & type	
------------------	--

# MVMA Specifications

Vehicle Line LUMINA  
 Model Year 1999 issued \_\_\_\_\_ Revised (●) \_\_\_\_\_

## METRIC (U.S. Customary)

Engine Description  
 Engine Code

**3.8 LITER V6**  
**L36**

### Electrical - Supply System

Battery	Manufacturer	Delphi Energy & Engine Management Systems
	Model, std., (opt.)	Standard 78-690
	Voltage	12
	Amps at 0° F, cold crank	690 CCA
	Minutes-reserve capacity	115
	Amps/hrs.-20 hr. rate	69
	Location	Engine Compartment
Alternator	Manufacturer	Delphi
	Rating (idle/max. rpm)	42/105 Amps
	Ratio (alt. crank/rev.)	2.98
	Output at idle (rpm, park)	70 Amps
	Optional (type & rating)	Not Applicable
Regulator	Type	Integral with Alternator

### Electrical - Starting System

Motor	Manufacturer	Delphi
	Current drain -29 (-20) °C (°F)	400 Amps
	Power rating kw (hp)	1.5 (2.0)
Motor drive	Engagement type	Solenoid Actuated, Positive Engagement
	Pinion engages from (front, rear)	Front

### Electrical - Ignition System

Type	Electronic (std., opt., n.a.)	Standard	
	Other (specify)	Not Applicable	
Coil	Manufacturer	Delphi	
	Model	Direct Ignition	
	Current	Engine stopped - A	Less than 100.0 mA
		Engine idling - A	Less than 1.5 A (Avg.)
Spark plug	Manufacturer	Delphi	
	Model	R44LTSM6	
	Thread (mm)	14	
	Tightening torque N-m (lb. ft.)	9-20 (7-15)	
	Gap	1.5 mm	
	Number per cylinder	One	
Distributor	Manufacturer	Not Applicable	
	Model	Not Applicable	

### Electrical - Suppression

Locations & type	Alternator - Internal Capacitor Suppression Ignition - Internal Resistor/Capacitor Networks
------------------	--

# MVMA Specifications

Vehicle Line LUMINA  
 Model Year 1999 Issue# \_\_\_\_\_ Revised (●) \_\_\_\_\_

## METRIC (U.S. Customary)

Model Code/Description

ALL

### Body

Structure	Unitized Body - Frame. Body Side Assembly includes Full Drawn Quarter Panels. Fully Stamped Inner/Outer Door Panels with Header Extending into Roof. Full-Length Deck Lid Inner/Outer Panels. Full-Drawn Floor Pan.
Bumper system front - rear	Body Color Soft Fascia, Frt.-Honeycomb Absorber/Rr.-Foam Absorber and Rigid Reinforcing Bar Used at Both Front and Rear.
Anti-corrosion treatment	Double-Sided Galvanizing or Gavanneal of all Major Body/Sheet Metal Inner/Outer Panels Including Hood, Deck Lid, Doors, Rear End Panel, Plenum, Fenders, Compartment Pan, Quarter Panels, Rocker Panels and Wheelhouse Outer Panels.

### Body - Miscellaneous Information

Type of finish (lacquer, enamel, other)	Base Coat-Clear Coat Acrylic Enamel Over ELPO Primer	
Hood	Material & mass	Steel, 17.3 kg.
	Hinge location (front, rear)	Rear
	Type (counterbalance, prop)	Gas Charged Strut
	Release control (internal, external)	Internal
Trunk lid	Material & mass	Steel
	Type (counterbalance, other)	Goose Neck Hinge with Dual Torque Rods
	Internal release control (elec., mech., n.a.)	Electric, Optional
Hatchback lid	Material & mass	Not Available
	Type (counterbalance, other)	Not Applicable
	Internal release control (elec., mech., n.a.)	Not Applicable
Tailgate	Material & mass	Not Applicable
	Type (drop, lift, door)	Not Applicable
	Internal release control (elec., mech., n.a.)	Not Applicable
Vent window control (crank, friction, pivot, power)	Front	Not Applicable
	Rear	Not Applicable
Window regulator type (cable, tape, flex drive, etc.)	Front	Cross Arm Regulator
	Rear	Cross Arm Regulator
Seat cushion type (e.g., 60/40 bucket, bench, wire, foam, etc.)	Front	Base - 60/40 Split Bench, Trim Material on Foam Uplevel - 60/40 Split Bench or 40/40 Bucket, Trim Material Bonded to Foam
	Rear	Base - Bench, Trim Material on Foam with Encapsulated Frame Uplevel - Bench, Trim Material Bonded to Foam with Encapsulated Frame
	3rd seat	Not Applicable
Seat back type (e.g., 60/40 bucket, bench, wire, foam, etc.)	Front	Base - 60/40 Split Bench, Trim Material on Foam Uplevel - 60/40 Split Bench or 40/40 Bucket, Trim Material Bonded to Foam
	Rear	Base - Bench, Trim Material on Foam with Encapsulated Frame Uplevel - Bench, Trim Material Bonded to Foam with Encapsulated Frame
	3rd seat	Not Applicable

### Frame

Type and description (separate frame, unitized frame, partially-unitized frame)	Unitized Body/Frame. Bolted-On, Isolated Powertrain Cradle with Mounting Provisions for Suspension, Steering Rack and Engine Mounts.
---	--



# MVMA Specifications

Vehicle Line LUMINA  
 Model Year 1999 Issued \_\_\_\_\_ Revised (#) \_\_\_\_\_

## METRIC (U.S. Customary)

Model Code/Description

ALL

### Restraint System

Seating Position			Left	Center	Right
Active	Type & description (lap & shoulder belt, lap belt, etc.)  Standard/Optional	First seat	3 Pt. Single Loop W/Shldr. Retractor. End Release Buckle. Adjustable Guide Loop/All Retractors are Web & Vehicle Sensitive Retractors.	Lap Belt Manual Adjustment End Release Buckle	3 Pt. Single Loop W/Shldr. Retractor. End Release Buckle. Adjustable Guide Loop, Child Cinch Retractor/All Retractors are Web & Vehicle Sensitive Retractors.
		Second seat	3 Pt. Single Loop W/Shldr. End Release Buckle. Child Cinch Retractor. Child Comfort Guide/All Retractors are Web & Vehicle Sensitive Retractors	Lap Belt Manual Adjustment End Release Buckle	3 Pt. Single Loop W/Shldr. Retractor, End Release Buckle, Child Cinch Retractor, Child Comfort Guide/All Retractors are Web & Vehicle Sensitive Retractors.
		Third seat			
Passive	Type & description (air bag, motorized-2-point belt, fixed belt, knee bolster, manual-lap belt)  Standard / Optional	First seat	Air Bag	Air Bag (Passenger Side)	Air Bag
		Second seat			
		Third seat			
<b>Glass</b>		SAE Ref.No.			
Windshield glass exposed surface area cm <sup>2</sup> (in. <sup>2</sup> )		S1	12,541 cm <sup>2</sup> ((1944 in <sup>2</sup> ))		
Side glass exposed surface area cm <sup>2</sup> (in. <sup>2</sup> ) - total 2 sides		S2	2771.94 cm <sup>2</sup> F/D; 2610.53 cm <sup>2</sup> R/D		
Backlight glass exposed surface area cm <sup>2</sup> (in. <sup>2</sup> )		S3	9318 cm <sup>2</sup> (1444.3 in <sup>2</sup> )		
Total glass exposed surface area cm <sup>2</sup> (in. <sup>2</sup> )		S4	-		
Windshield glass (type/thickness)			Curved-2nd Laminated Float, 5.4 mm		
Side glass (type/thickness)			Curved-Tempered Float: 5.0 mm F/D Sedan; 4.0 mm R/D Sedan, Quarter		
Backlight glass (type/thickness)			Curved-Tempered Float, 3.5 mm		
Tinted (yes/no, location)			Tinted All Around		
Solar control (yes/no, coated/batched, location)			Yes, Windshield and Backlight		

### Headlamps

Description (sealed beam, halogen, replaceable bulb, etc.)	Halogen, Replacement Bulb Unit
Shape	Aero
Lo-beam type (2A1, 2B1, 2C1, etc.)	Trade No. 9006/HB4
Quantity	Two
Hi-beam type (1A1, 2A1, 1C1, 2C1, etc.)	Trade No. 9005/HB3
Quantity	Two

# MVMA Specifications

Vehicle Line LUMINA  
 Model Year 1999 :issued \_\_\_\_\_ Revised (●) \_\_\_\_\_

## METRIC (U.S. Customary)

Engine Code/Description

ALL

### Climate Control System

Air conditioning (std., opt., man., auto.)		Standard - L82, L36
Condenser	Type	Tube & Fin
	Eff. face area (sq. mm.)	315,181
	Fins per inch	13
Evaporator	Type	U Flow, Aluminum
	Eff. face area (sq. mm.)	48,437
	Fins per inch	14
Heater core	Material	Aluminum
	Eff. face area (sq. mm.)	33,028
	Fins per inch	30
Compressor	Type	V5
	Displacement (cc.)	Variable Displacement
	Manufacturer	Delphi Harrison Thermal Systems
	A/C pulley ratio	1.37
Accumulator	Type	Non-Serviceable, Sealed, Integral Design
	Height (mm.)	206.0
	Diameter (mm.)	89.0
Receiver	Type	Not Applicable
	Height (mm.)	Not Applicable
	Diameter (mm.)	Not Applicable
Refrigerant control (CCOT, TVS, etc.)		Variable Displacement Compressor VDOT
Heater water valve (yes / no)		No
Refrigerant (R - 12, R - 134a, etc.)		R134A
Charge level (lbs. - oz.)		1.875 lbs.
Cold engine lockout switch (yes / no)		No
Wide open throttle cutout switch (yes / no)		Yes
Power steering cut-out switch (yes/no)		No

# MVMA Specifications

Vehicle Line LUMINA  
 Model Year 1999 Issue# \_\_\_\_\_ Revised (●) \_\_\_\_\_

## METRIC (U.S. Customary)

Model Code/Description

ALL

### Convenience Equipment (standard, optional, n.a.)

	Clock (digital, analog)	Digital - In Radio, Standard
	Compass / thermometer	Not Available
	Console (floor, overhead)	Optional, Floor (Overhead - Not Available)
	Defroster, electric windshield	Not Available
	Defroster, electric backlight	Optional
Electronic	Diagnostic monitor (integrated, individual)	Not Available
	Instrument cluster (list instruments)	Not Available
	Keyless entry	Optional
	Trip/reminder (avg. spd., fuel)	Not Available
	Voice alert (list items)	Not Available
	Other	
	Fuel door lock (remote, key, electric)	
Integrated Child Seating	Std./opt. & location in vehicle	OPT. Center
	Number of occupants	(One)
	Occupant weight/height (min. & max.)	Not Available
	Restraint system description (3 or 5-point belts/booster seat capability)	Not Available
Lamps	Daytime Running Lamps (Yes/No)	Yes
	Cornering	Not Available
	Courtesy (map, reading) Dome	Standard
	Door lock, ignition	
	Engine compartment	Standard
	Fog	Not Available
	Glove compartment	Standard
	Trunk	Standard
	Illuminated entry system (list lamps, activation)	Sustained Interior Illumination - Standard
	Other DRL (Day Time Running Lamp)	Standard
	Ashtray	Standard
	CHMSL	Standard
Mirrors	Day / night (auto., man.)	Standard - Manual
	L.H. (remote, power, heated)	Standard - Remote; Optional - Power
	R.H. (convex, remote, power, heated)	Standard - Manual; Optional - Power
		Visor vanity (RH / LH, illuminated)
	Navigation system (describe)	Not Available
	Parking brake-auto release (warning light)	Standard - Warning Light

# MVMA Specifications

Vehicle Line LUMINA  
 Model Year 1999 Issued \_\_\_\_\_ Revised (●) \_\_\_\_\_

## METRIC (U.S. Customary)

Model Code/Description

ALL

### Convenience Equipment (standard, optional, n.a.)

Power equipment	Deck lid (release, pull down)		Optional, Electric Release
	Door locks (manual, automatic, describe system)		Electric, Standard
	Seats	2 - 4 - 6 way, etc.	Standard Four-Way, Driver Side Only; Optional Six-Way
		Reclining (R.H., L.H.)	Standard - Manual
		Memory (R.H., L.H., preset recline)	Not Available
		Support (lumbar, hip, thigh, etc.)	Not Available
		Heated (R.H., L.H., other)	Not Available
	Side windows		Optional Electric
	Vent windows		Not Applicable
	Rear windows		Optional Electric
Radio systems	Antenna (location, whip, w/shield, power)		Standard, Fixed Whip Located on Right Rear Upper Quarter Panel
	Standard	AM, FM, stereo, tape, compact disc, graphic equalizer, theft deterrent, radio prep package, headphone jacks, etc.	AM/FM Stereo, Seek & Scan/Standard
	Optional		AM/FM Stereo, Seek & Scan, Cassette ATC (Theft Deterrent) - Optional AM/FM Stereo, Seek & Scan, Cassette - Optional AM/FM Stereo, Seek & Scan/Compact Disc ATC (Theft Deterrent) - Optional
	Speaker (number, location)		Standard - Two In Front Doors, Two In Package Shelf, Optional - Dual Coax
Roof, open air or fixed (flip-up, sliding, "T")			Not Available
Speed control device			Optional, Automatic Electronic
Speed warning device (light, buzzer, etc.)			Not Available
Tachometer (rpm)			Optional (Included as Part of Optional Gauge Package)
Telephone system (describe)			Not Available
Theft deterrent system			Not Available

### Trailer Towing

Towing capable	Yes / No	Yes
Engine / transmission / axle	Std. / Opt.	3.1L, Four-Spd. Auto., 3.33; 3.8L, Four-Spd. Auto., 3.43
Tow class (I, II, III)*	Std. / Opt.	One
Max. gross trailer wgt. (lbs.)	Std. / Opt.	1000
Max. trailer tongue load (lbs.)	Std. / Opt.	100
Towing package available	Yes / No	No

\* Class I - 2,000 lbs.    Class II - 3,500 lbs.    Class III - 5,000 lbs.

# MVMA Specifications

Vehicle Line LUMINA  
 Model Year 1999      Issued \_\_\_\_\_      Revised (●) \_\_\_\_\_

## METRIC (U.S. Customary)

### Vehicle Dimensions      See Key Sheets for definitions

All dimensions to ground are for comparative purposes only. Dimensions are to be shown for all base body models of each vehicle line. SAE Ref. no. refers to the definition published in SAE Recommended Practice J1100 "Motor Vehicle Dimensions," unless otherwise specified.

Model Code/Description	SAE Ref. No.	ALL
<b>Width</b>		
Tread (front)	W101	1512.0 (59.5)
Tread (rear)	W102	1500.0 (59.1)
Vehicle width	W103	1841.0 (72.5)
Body width at SgRP (front)	W117	1800.0 (70.9)
Vehicle width (front doors open)	W120	3481.5 (137.1)
Vehicle width (rear doors open)	W121	3483.0 (137.1)
Tumble-home (degrees)	W122	27.0
Outside mirror width	W410	1980.0 (78.0)

### Length

Wheelbase	L101	2730.0 (107.5)
Vehicle length	L103	5104.0 (200.9)
Overhang (front)	L104	1174.0 (46.2)
Overhang (rear)	L105	1200.0 (47.2)
Upper structure length	L123	2881.0 (113.4)
Rear Wheel C/L "X" coordinate	L127	4525.0 (178.1)

### Height \*\*

Passenger distribution (front/rear)	PD1, 2,3	3/3
Trunk/cargo load		**
Vehicle height	H101	1391.9 (54.8)
Cowl point to ground	H114	947.8 (37.3)
Deck point to ground	H138	1033.8 (40.7)
Rocker panel-front to ground	H112	239.4 (9.4)
Rocker panel-rear to ground	H111	241.9 (9.5)
Windshield slope angle (degrees)	H122	60.0
Backlight slope angle (degrees)	H121	64.0

### Ground Clearance \*\*

Front bumper to ground	H102	226.7 (8.9)
Rear bumper to ground	H104	332.8 (13.1)
Bumper to ground front at curb mass (wt.)	H103	356.0 (14.0)
Bumper to ground rear at curb mass (wt.)	H105	370.0 (14.6)
Angle of approach (degrees)	H108	15.3
Angle of departure (degrees)	H107	12.4
Ramp breakover angle (degrees)	H147	10.0
Axle differential to ground (front/rear)	H153	163.0 (6.4)
Min. running ground clearance	H158	165.0 (6.5)
Location of min. running ground clear.		Exhaust Pipe Rear of Converter

\*\* All Vehicle Height And Ground Clearance Are Made Using EPA Loaded Vehicle Weight, Loading Conditions. EPA loaded vehicle weight is the base vehicle weight plus all coolant and fluids necessary for operation plus 100% of the fuel capacity, plus the weight of all options and accessories which weigh three pounds or more and which are sold on at least 33% of the car line, plus two occupants.

# MVMA Specifications

Vehicle Line LUMINA  
 Model Year 1999 Issued \_\_\_\_\_ Revised (●) \_\_\_\_\_

## METRIC (U.S. Customary)

### Vehicle Dimensions

See Key Sheets for definitions

Model Code/Description	SAE Ref. No.	ALL
------------------------	--------------	-----

#### Front Compartment

SgRP front "X" coordinate	L31	3159.5 (124.4)
Effective head room	H61	975 (38.4)
Max. effective leg room (accelerator)	L34	1077 (42.4)
SgRP to heel point	H30	251.0 (9.9)
SgRP to heel point	L53	874.5 (34.4)
Back angle (degrees)	L40	26.0
Hip angle (degrees)	L42	99.0
Knee angle (degrees)	L44	128.0
Foot angle (degrees)	L46	87.0
Design H-point front travel	L17	218.0 (8.6)
Normal driving & riding seat track trvl.	L23	178.5 (7.0)
Shoulder room	W3	1483.0 (58.4)
Hip room	W5	1407.0 (55.4)
Upper body opening to ground	H50	1279.0 (50.4)
Steering wheel maximum diameter*	W8	375.0 (14.8)
Steering wheel angle (degrees)	H18	22.0
Accel. heel pt. to steer. whl. cntr.	L11	515.0 (20.3)
Accel. heel pt. to steer. whl. cntr.	H17	620.0 (24.4)
Undepressed floor covering thickness	H67	25.0 (1.0)

Front Compartment Interior Dimensions are Measured with the Seating Reference Point (SgRP) 39.5 mm forward and 5.5 mm Upward of Rearmost Position.

#### Rear Compartment

SgRP point coupe distance	L50	825.5 (32.5)
Effective head room	H63	949.0 (37.4)
Min. effective leg room	L51	930.0 (36.6)
SgRP (second to heel)	H31	286.0 (11.3)
Knee clearance	L48	34.0 (1.3)
Shoulder room	W4	1457.5 (57.4)
Hip room	W6	1404.0 (55.3)
Upper body opening to ground	H51	1295.6 (51.0)
Back angle (degrees)	L41	28.0
Hip angle (degrees)	L43	90.0
Knee angle (degrees)	L45	95.0
Foot angle (degrees)	L47	123.0
Depressed floor covering thickness	H73	17.0 (0.7)

#### Luggage Compartment

Usable luggage capacity L (cu. ft.)	V1	444.4 (15.7)
Liftover height	H195	729.6 (28.7)

#### Interior Volumes (EPA Classification)

Vehicle class		Mid Size
Interior volume index including trunk/cargo (cu. ft.)**	E1	(116.1) 3288 Liters
Cargo utility index (%)	V13	51.3

\* See page 14.

\*\* See definition page 33.

All linear dimensions are in millimeters (inches) unless otherwise noted.

\*\*\* EPA Loaded Vehicle Weight, Loading Conditions

# MVMA Specifications

Vehicle Line LUMINA  
 Model Year 1999 issued            Revised (●)           

## METRIC (U.S. Customary) Vehicle Dimensions

See Key Sheets for definitions

Model Code/Description

ALL

### Station Wagon/MPV\* -Third Seat

SAE  
 Ref.  
 No.

(NOT APPLICABLE)

Seat facing direction	SD1	
SgRP couple distance	L85	
Shoulder room	W85	
Hip room	W86	
Effective leg room	L86	
Effective head room	H86	
SgRP to heel point	H87	
Knee clearance	L87	
Back angle (degrees)	L88	
Hip angle (degrees)	L89	
Knee angle (degrees)	L90	
Foot angle (degrees)	L91	

### Station Wagon/MPV\* - Cargo Space

(NOT APPLICABLE)

Cargo length (open front)	L200	
Cargo length (open second)	L201	
Cargo length (closed front)	L202	
Cargo length (closed second)	L203	
Cargo length at belt (front)	L204	
Cargo length at belt (second)	L205	
Cargo width (wheelhouse)	W201	
Rear opening width at floor	W203	
Opening width at belt	W204	
Min. rear opening width above belt	W205	
Cargo height	H201	
Rear opening height	H202	
Tailgate to ground height	H250	
Front seat back to load floor height	H197	
Cargo volume index m <sup>3</sup> (ft. <sup>3</sup> )	V2	
Hidden cargo volume index m <sup>3</sup> (ft. <sup>3</sup> )	V4	
Cargo volume index-rear of 2-seat	V10	
Cargo volume index*	V8	
Cargo width at floor*	W500	
Maximum cargo height*	H505	

### Hatchback - Cargo Space

(NOT APPLICABLE)

Cargo length at front seatback height	L208	
Cargo length at floor (front)	L209	
Cargo length at second seatback height	L210	
Cargo length at floor (second)	L211	
Front seatback to load floor height	H197	
Second seatback to load floor height	H198	
Cargo volume index m <sup>3</sup> (ft. <sup>3</sup> )	V3	
Hidden cargo volume index m <sup>3</sup> (ft. <sup>3</sup> )	V4	
Cargo volume index - rear of 2-seat	V11	

All linear dimensions are in millimeters (inches) unless otherwise noted.

\* MPV - Multipurpose Vehicle

\*\* EPA Loaded Vehicle Weight, Loading Conditions

# MVMA Specifications

Vehicle Line LUMINA  
 Model Year 1999 Issued \_\_\_\_\_ Revised (●) \_\_\_\_\_

## METRIC (U.S. Customary)

Model Code/ Description	ALL
----------------------------	-----

### Vehicle Fiducial Marks

Fiducial Mark Number*	Define Coordinate Location										
Front	<p>X - Fiducial mark to vertical zero grid line - front measured horizontally, from the zero grid line to the front fiducial mark located on top of the front seat adjuster mounting bolt.</p> <p>Y - Fiducial mark to centerline of car - front, width measurement made from centerline car to fiducial mark located on top of the front seat adjuster mounting bolt.</p> <p>Z - Fiducial mark to horizontal zero grid line - front, measured vertically from zero grid line to front fiducial mark located on top of the front seat adjuster mounting bolt.</p>										
Rear	<p>X - Fiducial mark to vertical zero grid line - rear, measured horizontally from the zero grid line to rear fiducial hole located on the rail (compartment pan - longitudinal.)</p> <p>Y - Fiducial mark to centerline of car - rear, width measurement made from centerline of car to fiducial hole located on the rail (compartment pan - longitudinal.)</p> <p>Z - Fiducial mark to horizontal zero grid line - rear, measured vertically from the zero grid line to rear fiducial hole located on the rail (compartment pan - longitudinal.)</p>										
NOTE: Provide 3 of 4 Fiducial Mark Locations											
Front	<table border="1"> <tr><td>W21**</td><td>-555.0 (-21.9)</td></tr> <tr><td>L54**</td><td>2775.0 (109.3)</td></tr> <tr><td>H81**</td><td>278.0 (10.9)</td></tr> <tr><td>H161**</td><td>340.7 (13.4)</td></tr> <tr><td>H163**</td><td>324.8 (12.8)</td></tr> </table>	W21**	-555.0 (-21.9)	L54**	2775.0 (109.3)	H81**	278.0 (10.9)	H161**	340.7 (13.4)	H163**	324.8 (12.8)
W21**	-555.0 (-21.9)										
L54**	2775.0 (109.3)										
H81**	278.0 (10.9)										
H161**	340.7 (13.4)										
H163**	324.8 (12.8)										
Rear	<table border="1"> <tr><td>W22**</td><td>-488.0 (-19.2)</td></tr> <tr><td>L55**</td><td>5200.0 (204.7)</td></tr> <tr><td>H82**</td><td>388.0 (15.3)</td></tr> <tr><td>H162**</td><td>458.2 (18.0)</td></tr> <tr><td>H164**</td><td>439.1 (17.3)</td></tr> </table>	W22**	-488.0 (-19.2)	L55**	5200.0 (204.7)	H82**	388.0 (15.3)	H162**	458.2 (18.0)	H164**	439.1 (17.3)
W22**	-488.0 (-19.2)										
L55**	5200.0 (204.7)										
H82**	388.0 (15.3)										
H162**	458.2 (18.0)										
H164**	439.1 (17.3)										

\* Reference - SAE Recommended Practice, J182a, Motor Vehicle Fiducial Marks.  
 \*\* Reference - SAE Recommended Practice J1100 - Motor Vehicle Dimensions.  
 \*\*\* EPA Loaded Vehicle Weight, Loading Conditions  
 All linear dimensions are in millimeters (inches) unless otherwise noted.





**MVMA Specifications**  
**METRIC (U.S. Customary)**

Vehicle Line LUMINA  
 Model Year 1999 issued \_\_\_\_\_ Revised (\*) \_\_\_\_\_

		Optional Equipment Differential Mass (weight)*			
Code	Equipment	MASS, kg. (lb.)			Remarks Restrictions, Requirements
		Front	Rear	Total	
AG1	Seat Adj-6 Way Power Driver Only	1.0 (2.2)	0.6 (1.3)	1.6 (3.5)	1WA00
AN2	Seat - Child Integral	0.4 (0.9)	4.8 (10.6)	5.2 (11.5)	1WA00
AQ9	Seat Front-Bucket/Recliner	0.0 (0.0)	0.2 (0.4)	0.2 (0.4)	1WL69
AR9	Seat Front Bucket, Euro P/D Recliner	1.4 (3.0)	1.2 (2.6)	2.6 (5.6)	1WL69
AU0	Lock Control - Remote Entry	0.2 (0.4)	0.0 (0.0)	0.2 (0.4)	
A31	Windows - Power	2.4 (5.2)	2.2 (4.9)	4.6 (10.2)	1WL69
A90	Lock-RR Compt. Lid, Rem Count Ele.	0.0 (0.0)	0.0 (0.0)	0.0 (0.0)	1WA00
BF9	Cover-Floor Mat Delete	0.0 (0.0)	0.0 (0.0)	0.0 (0.0)	1WL69, 1WN69
B34	Front Floor Mats	1.4 (3.1)	0.6 (1.3)	2.0 (4.4)	1WL69, 1WN69
B35	Rear Floor Mats	0.4 (0.9)	0.8 (1.8)	1.2 (2.6)	1WL69, 1WN69
B42	Covering Floor Mat, Luggage Compartment	-1.0 (-2.2)	9.6 (21.2)	8.6 (19.0)	1WL69
B81	Exterior Ornament Delete	-1.0 (-2.2)	-1.0 (-2.2)	-2.0 (-4.4)	1WL69
CF5	Sunroof Electric	5.4 (11.9)	6.4 (14.2)	11.8 (26.0)	
CJ3	HVAC Systems, A/C Front (Dual Temp Control)	0.4 (0.9)	0.0 (0.0)	0.4 (0.9)	
C49	Defogger-RR Window, Electric	0.0 (0.0)	0.2 (0.4)	0.2 (0.4)	
DG7	Mirror-O/S, L&R, Elec Painted	0.4 (0.9)	0.0 (0.0)	0.4 (0.9)	1WL69
D55	Console-Frt. Compt Floor, Var 1	1.8 (4.0)	1.8 (4.0)	3.6 (7.9)	1WN69

\* Also see Engine - General Section for dressed engine mass (weight.)

**MVMA Specifications**  
**METRIC (U.S. Customary)**

Vehicle Line LUMINA  
 Model Year 1999 Issue            Revised (●)           

Code	Equipment	Optional Equipment Differential Mass (weight)*			Remarks Restrictions, Requirements
		MASS, kg. (lb.)			
		Front	Rear	Total	
F41	Suspension System-Frt/RR. Firm Ride, Hdlg	0.8 (1.8)	3.0 (6.6)	3.8 (8.4)	1WL69
F41	Suspension System-Frt/RR. Firm Ride, Hdlg	0.6 (1.3)	3.0 (6.6)	3.6 (7.9)	1WN69
JL9	Brake System-Power Frt & RR Disc ABS	5.4 (11.8)	1.0 (2.2)	6.4 (14.0)	1WL69
JL9	Brake System-Power Frt & RR Disc ABS	0.0 (0.0)	0.0 (0.0)	0.0 (0.0)	1WN69
JM4	Antilock Brakes	6.4 (14.0)	1.0 (2.2)	7.4 (16.2)	1WL69
KC4	Cooling System-Engine Oil	1.0 (2.0)	0.0 (0.0)	1.0 (2.0)	
KD1	Cooling System-Transmission Oil	1.4 (3.1)	-0.2 (-0.4)	1.2 (2.6)	
K05	Heater-Engine Block	0.2 (0.4)	0.0 (0.0)	0.2 (0.4)	
K34	Cruise Control Auto Electronic	1.2 (2.6)	0.0 (0.0)	1.2 (2.6)	1WL69, 1WN69
K68	Generator 105, AMP 1 Fan	0.2 (0.4)	0.0 (0.0)	0.2 (0.4)	1WL69
L36	Engine-Gas, 6 Cylinder, 3.8L MF1	17.4 (38.4)	0.0 (0.0)	17.4 (38.4)	1WL69, 1WN69
M15	Transmission-Four Speed Auto, 4T65E	0.0 (0.0)	0.0 (0.0)	0.0 (0.0)	
NC5	Exhaust-Dual Vert Tail Pipes	0.4 (0.9)	11.4 (25.2)	11.8 (26.0)	1WL69, 1WN69
NW0	Wheel 16 x 6.5 Cast Aluminum	-3.6 (-7.9)	-3.6 (-7.9)	-7.2 (-15.8)	1WL69
N81	Fullsize Spare Tire	0.0 (0.0)	4.6 (10.2)	4.6 (10.2)	1WL69
P01	Trim Discs-Wheel, Var 1	0.6 (1.4)	0.6 (1.4)	1.2 (2.8)	1WL69
QNJ	Tire AL3 P215/65R15 BW (Police/Taxi)	2.2 (4.9)	2.2 (4.9)	4.4 (9.7)	
QNX	Tire AL2 P225/60R16/NBL	1.6 (3.5)	1.6 (3.5)	3.2 (7.1)	1WL69
QVG	Tire AL3 P225/60R16/N	0.6 (1.3)	0.6 (1.3)	1.2 (2.6)	1WN69

\* Also see Engine - General Section for dressed engine mass (weight)  
 AAMA-98

**MVMA Specifications**  
**METRIC (U.S. Customary)**

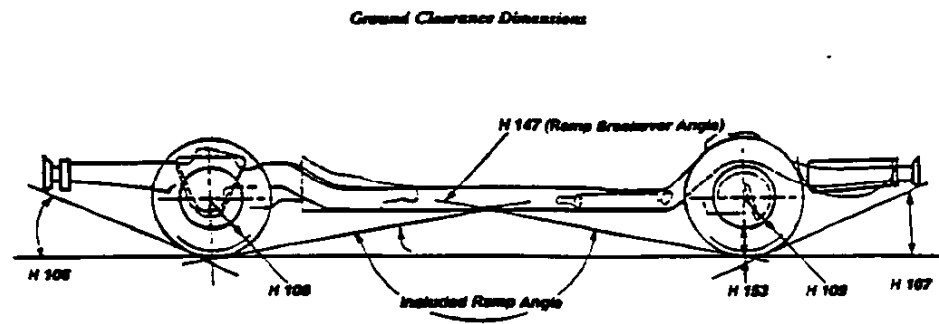
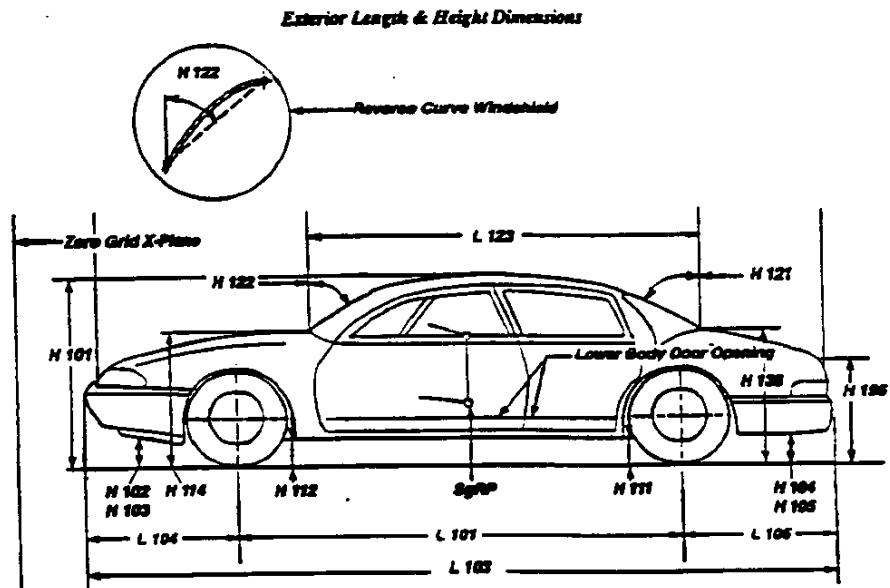
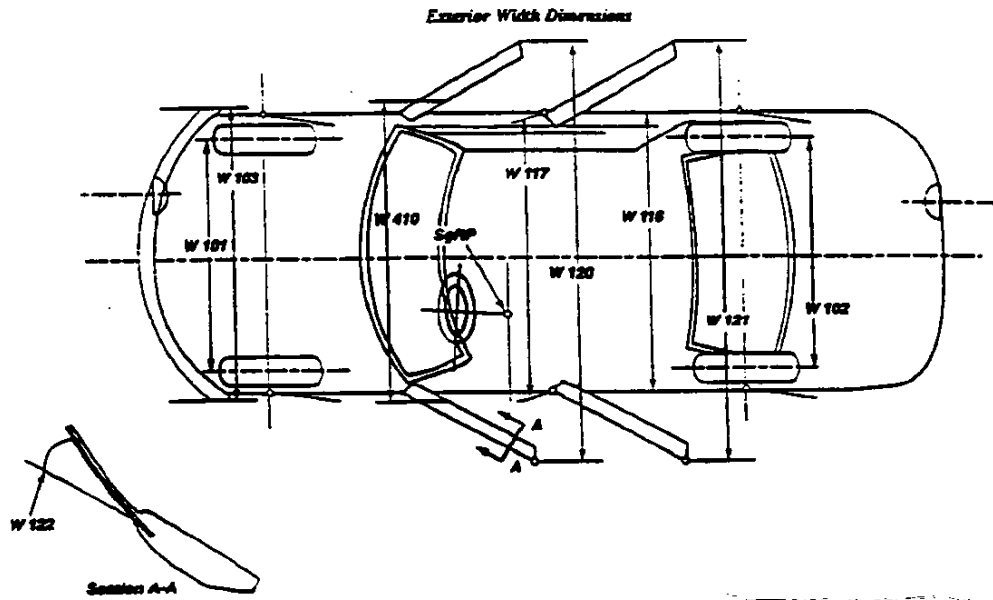
Vehicle Line LUMINA  
 Model Year '999 Issued \_\_\_\_\_ Revised (#) \_\_\_\_\_

Code	Equipment	Optional Equipment Differential Mass (weight)*			Remarks Restrictions, Requirements
		MASS. kg. (lb.)			
		Front	Rear	Total	
UA1	Battery-High Capacity, Wet	0.6 (1.3)	0.0 (0.0)	0.6 (1.3)	1WL69
UL0	Radio AM/FM Stereo	0.6 (1.3)	0.0 (0.0)	0.8 (1.7)	1WL69
UL5	Radio-Delete	-1.2 (-2.6)	-0.8 (-1.8)	-2.0 (-4.4)	1WN69
UL5	Radio-Delete	-0.8 (-1.7)	-0.4 (-0.9)	-1.2 (-2.6)	1WL69
UM6	Radio-AM/FM Stereo, Seek & Scan, Cass	0.6 (1.3)	0.2 (0.4)	0.8 (1.7)	
UN0	Radio-AM/FM Cassette	0.8 (1.8)	0.0 (0.0)	0.8 (1.8)	1WL69
UN0	Radio-AM/FM Compact Disc	0.2 (0.4)	0.0 (0.0)	0.2 (0.4)	1WN69
U62	Speaker System-4 Dual Front Coax	0.0 (0.0)	0.4 (0.9)	0.4 (0.9)	1WL69
VK3	License Plate Frt Mount Package	0.8 (1.8)	-0.4 (-0.9)	0.4 (0.9)	
VR6	Hook Tie Down	0.2 (0.4)	0.0 (0.0)	0.2 (0.4)	
V08	Radiator-Heavy Duty	1.6 (3.5)	-0.2 (-0.4)	1.4 (3.1)	

\* Also see Engine - General Section for dressed engine mass (weight.)

**Specifications Form**  
**METRIC (U.S. Customary)**

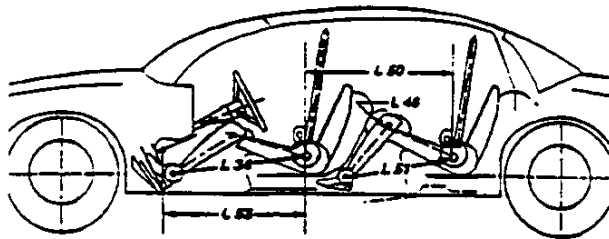
**Exterior Vehicle And Body Dimensions - Key Sheet**



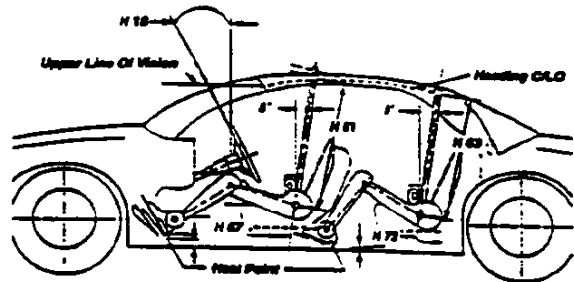
**Specifications Form**  
**METRIC (U.S. Customary)**

**Interior Vehicle And Body Dimensions - Key Sheet**

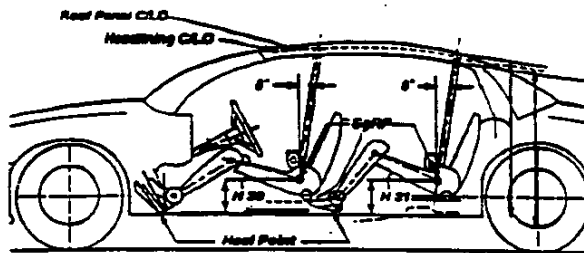
*Interior Length Dimensions*



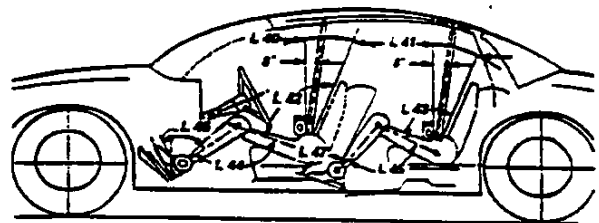
*Interior Height Dimensions*



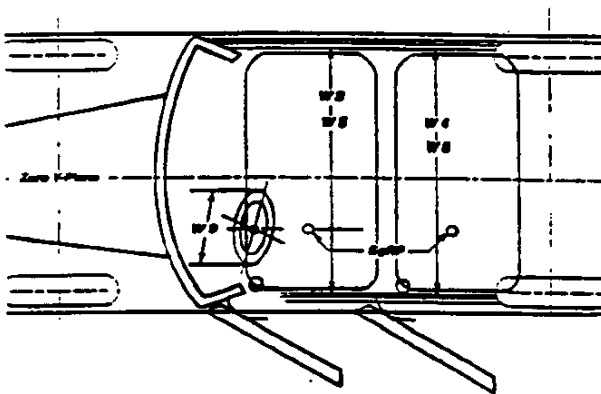
*Interior Height Dimensions*



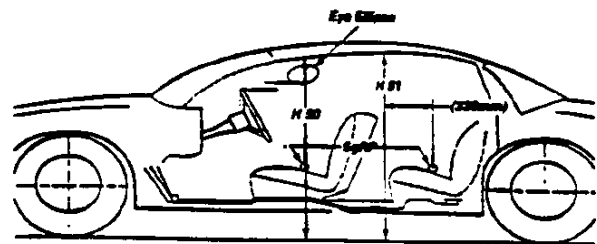
*Interior Length Dimensions*



*Interior Width Dimensions*



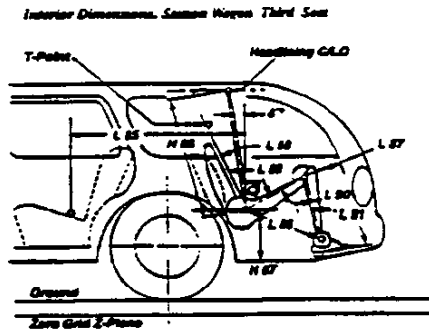
*Interior Height Dimensions*



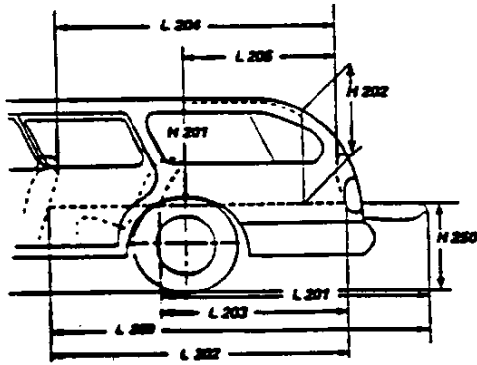
# Specifications Form

## METRIC (U.S. Customary)

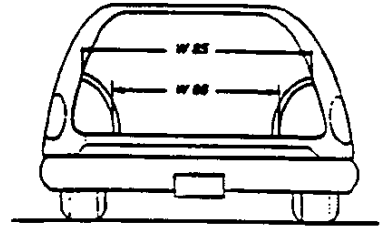
### Interior Vehicle And Body Dimensions - Key Sheet



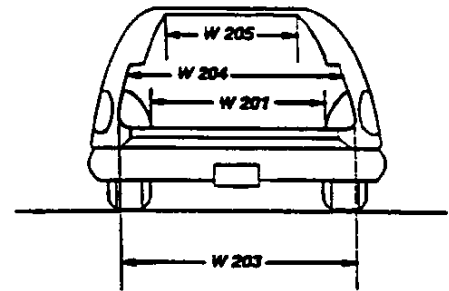
*Cargo Space Dimensions*



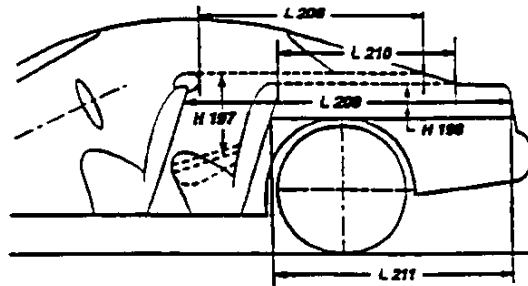
*Interior Dimensions*



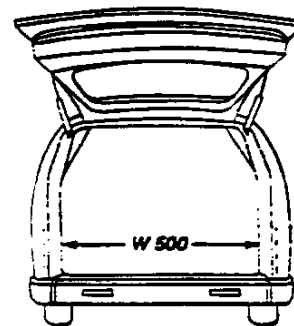
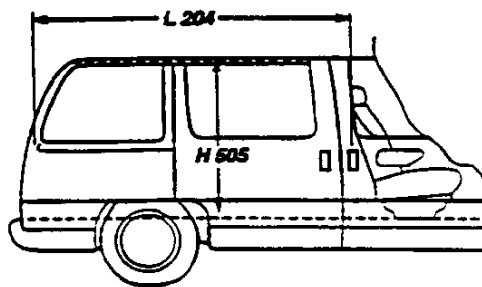
*Cargo Space Dimensions*



*Cargo Space Dimensions*



*Multipurpose Vehicle Cargo Space*



# Specifications Form

## METRIC (U. S. Customary)

### Exterior Vehicle And Body Dimensions - Key Sheet

#### Dimensions Definitions

#### Seating Reference Point

**SEATING REFERENCE POINT** means the manufacturer's design reference point which -

- Establishes the rearmost normal design driving or riding position of each designated seating position in a vehicle;
- Has coordinates established relative to the design vehicle structure;
- Simulates the position of the pivot center of the human torso and thigh; and
- Is the reference point employed to position the two dimensional templates described in SAE Recommended Practice J826, "Devices for Use in Defining and Measuring Vehicle Seating Accommodations."

#### Width Dimensions

- W101 TREAD-FRONT.** The dimension measured between the tire centerlines at the ground.
- W102 TREAD-REAR.** The dimension measured between the tire centerlines at the ground. In case of dual wheels, the dimension will be measured to the centerline of tire and wheel assemblies.
- W103 VEHICLE WIDTH.** The maximum dimension measured between the widest point on the vehicle, excluding exterior mirrors, flexible mud flaps, marker lamps, but including bumpers, moldings, sheet metal protrusions or dual wheels, if standard equipment.
- W117 BODY WIDTH AT SgRP-FRONT.** The dimension measured laterally between the widest points on the body at the SGRP-front, excluding door handles, applied moldings, or appliques.
- W120 VEHICLE WIDTH-FRONT DOORS OPEN.** The dimension measured between the widest point on the rear doors in maximum hold-open position.
- W121 VEHICLE WIDTH-REAR DOORS OPEN.** The dimension measured between the widest point on the rear doors in maximum hold-open position. For vehicles with a rear door on only one side, this dimension is to the zero "Y" plane.
- W122 TUMBLE-HOME STRAIGHT SIDE GLASS.** The angle measured from a vertical to the outside surface of the front door glass at the SgRP "X" plane.
- CURVED SIDE GLASS.** The angle measured from a vertical to a chord extending from the upper DLO to the lower DLO at the outside surface of the front door glass at the front SgRP "X" plane.
- W410 OUTSIDE MIRROR WIDTH:** The dimension between the widest point on the outside mirrors. The standard right and left mirror adjusted for normal driving will be shown unless otherwise noted. When only one outside mirror is standard, the dimension will be to the zero "Y" plane.

#### Length Dimensions

- L101 WHEELBASE (WB).** The dimension measured longitudinally between front and rear wheel centerline. In case of dual rear axles, the dimension shall be to the midpoint of the centerlines of the rear wheels.
- L103 VEHICLE LENGTH.** The maximum dimension measured longitudinally between the foremost point and the rearmost point on the vehicle, including bumper, bumper guards, tow hooks and/or rub strips, if standard equipment.
- L104 OVERHANG-FRONT.** The dimension measured longitudinally from the centerline of the front wheels to the foremost point on the vehicle including bumper, bumper guards, tow hook and/or rub strips, if standard equipment.
- L105 OVERHANG-REAR.** The dimension measured longitudinally from the centerline of the rear wheels; or in the case of dual rear axles, the dimension shall be the midpoint of the centerlines of the rear wheels, to the rearmost point on the vehicle including rear bumpers, bumper guards, tow hooks and rub strips, if standard equipment.

- L123 UPPER STRUCTURE LENGTH.** The dimension measured longitudinally from the cowl point to the deck point.
- L127 REAR WHEEL CENTERLINE "X" COORDINATE** or in the case of dual rear axles, the coordinate shall be the midpoint of the distance between the rear axle centerlines.

#### Height Dimensions

- H101 VEHICLE HEIGHT.** The dimension measured vertically from the highest point on the vehicle body to ground.
- H111 ROCKER PANEL-REAR TO GROUND.** The dimension measured vertically from the bottom of the rocker or side quarter panel at the front of the rear wheel opening, excluding flanges, to ground.
- H112 ROCKER PANEL-FRONT TO GROUND.** The dimension measured vertically from the foremost point on the bottom of the rocker panels, excluding flanges, to ground.
- H114 COWL POINT TO GROUND.** Measured at zero "Y" plane.
- H121 BACKLIGHT SLOPE ANGLE.** The angle between the vertical reference line and the surface of backlight at vehicle zero "Y" plane. For curve backlight, the angle is to chord of backlight arc from lower DLO to upper DLO.
- H122 WINDSHIELD SLOPE ANGLE.** The angle between the vertical reference line and a chord of the windshield arc running from the lower DLO to the upper DLO at the vehicle zero "Y" plane. In the case of wrap over glass, the angle to be measured will be formed by a chord 457 mm (18.0 in.) long drawn from the lower DLO to the intersecting point on the windshield.
- H138 DECK POINT TO GROUND.** Measured at zero "Y" plane.
- H109 STATICLOAD-TIRE RADIUS-REAR.** Specified by the manufacturer in accordance with composite TIRE SECTION STANDARD.

#### Ground Clearance Dimensions

- H102 FRONT BUMPER TO GROUND.** The minimum dimension measured vertically from the lowest point on the front bumper to ground, including bumper guards, if standard equipment.
- H103 FRONT BUMPER TO GROUND-CURBMASS(WT.).** Measured in the same manner as H102.
- H104 REAR BUMPER TO GROUND.** The minimum dimension measured vertically from the lowest point on the rear bumper to ground, including bumper guards, if standard equipment.
- H105 REAR BUMPER TO GROUND-CURB MASS(WT.).** Measured in the same manner as H104.
- H106 ANGLE OF APPROACH.** The angle measured between a line tangent to the front tire static loaded radius arc and the initial point of structural interference forward of the front tire to ground. The limiting structural component shall be designated.
- H107 ANGLE OF DEPARTURE.** The angle measured between a line tangent to the rear tire static loaded radius arc and the initial point of structural interference rearward of the rear tire to ground. The limiting component shall be designated.
- H147 RAMP BREAKOVER ANGLE.** The angle measured between two lines tangent to the front and rear tire static loaded radius and intersecting at a point on the underside of the vehicle which defines the largest ramp over which the vehicle can roll.
- H153 REAR AXLE DIFFERENTIAL TO GROUND.** The minimum dimension measured from the rear axle differential to ground.
- H156 MINIMUM RUNNING GROUND CLEARANCE.** The minimum dimension measured from the sprung vehicle to ground. Specify location.



# Specifications Form

## METRIC (U. S. Customary)

### Interior Vehicle And Body Dimensions - Key Sheet

#### Dimensions Definitions

#### Glass Areas

- S1 Windshield area.  
 S2 Side windows area. Includes the front door, rear door, vents, and rear quarter windows on both sides of the vehicle.  
 S3 Backlight areas.  
 S4 Total area. Total of all areas (S1 + S2 + S3).

#### Fiducial Mark Dimensions

- Fiducial Mark - Number 1**  
 L54 "X" coordinate.  
 W21 "Y" coordinate.  
 H81 "Z" coordinate.  
 H161 Height "Z" coordinate to ground at curb weight.  
 H163 Height "Z" coordinate to ground.  
**Fiducial Mark - Number 2**  
 L55 "X" coordinate.  
 W22 "Y" coordinate.  
 H82 "Z" coordinate.  
 H162 Height "Z" coordinate to ground at curb weight.  
 H164 Height "Z" coordinate to ground.

#### Front Compartment Dimensions

- L11 ACCELERATOR WHEEL POINT TO STEERING WHEEL CENTER. The dimension measured horizontally from the AHP to the intersection of the steering column centerline and a plane tangent to the upper surface of the steering wheel rim.  
 L17 DESIGN-H-POINT-FRONT TRAVEL. The dimension measured horizontally between the design H-point-front in the foremost and rearmost seat track positions. (See SAE J1100)  
 L23 NORMAL DRIVING AND RIDING SEAT TRACK TRAVEL. The dimension measured horizontally between a point on the design H-point travel line from the SgRP to the displaced point on the design H-point travel line with the seat moved to the foremost seat position, but not to include seat track travel used for purposes other than normal driving and riding positions. (See SAE J1100).  
 L31 SgRP-Front. "X" Coordinated.  
 L34 MAXIMUM EFFECTIVE LEG ROOM-ACCELERATOR. The dimension measured along a line from the ankle pivot center to the SgRP-front plus 254 mm (10.0 in.) measured with right foot on the undepressed accelerator pedal. For vehicles with SgRP to heel (H30) greater than 18 in., the accelerator pedal may be depressed as specified by the manufacturer. If the accelerator is depressed, the manufacturer shall place foot flat on pedal and note the depression of the pedal.  
 L40 BACK ANGLE-FRONT. The angle measured between a vertical line through the SgRP-front and the torso line. If the seatback is adjustable, use the normal driving and riding position specified by the manufacturer.  
 L42 HIP ANGLE-FRONT. The angle measured between torso line and thigh centerline.  
 L44 KNEE ANGLE-FRONT. The angle measured between thigh centerline and lower leg centerline measured on the right leg.  
 L46 FOOT ANGLE-FRONT. The angle measured between the lower leg centerline and a line tangent to the ball and heel of the bare foot flesh line measured on the right leg. Ref SAE J826.  
 L53 SgRP-FRONT TO HEEL. The dimension measured horizontally from the SgRP-front to the accelerator heel point.  
 W3 SHOULDER ROOM-FRONT. The minimum dimension measured laterally between the trimmed surfaces on the "X" plane through the SgRP-front at height between the belt line and 254 mm (10.0 in.) above the SgRP-front, excluding the door assist strap and attaching parts.

- W5 HIP ROOM-FRONT. The minimum dimension measured laterally between the trimmed surfaces on the "X" plane through the SgRP-front within 25 mm (1.0 in.) below and 76 mm (3.0 in.) above the SgRP-front and 76 mm (3.0 in.) fore and aft of the SgRP-front.  
 W9 STEERING WHEEL MAXIMUM OUTSIDE DIAMETER. Define if other than round.  
 H7 ACCELERATOR HEEL POINT TO THE STEERING WHEEL CENTER. The dimension measured vertically from the AHP-front to the intersection of the steering column centerline to a plane tangent to the upper surface of the steering wheel rim.  
 H18 STEERING WHEEL ANGLE. The angle measured from a vertical to the surface plane of the steering wheel.  
 H30 SgRP-FRONT TO HEEL. The dimension measured vertically from the SgRP-front to the accelerator heel point.  
 H50 UPPER BODY OPENING TO GROUND-FRONT. The dimension measured vertically from the trimmed body opening to the ground on the SgRP-front "X" plane.  
 H61 EFFECTIVE HEAD ROOM-FRONT. The dimension measured along a line 8 deg. rear of vertical from the SgRP-front to the headlining plus 102 mm (4.0 in.).  
 H67 FLOOR COVERING THICKNESS - UNDEPRESSED - FRONT. The dimension measured vertically from the surface of the undepressed floor covering to the underbody sheet metal at the accelerator heel point.

#### Rear Compartment Dimensions

- L41 BACK ANGLE-SECOND. The angle measured between a vertical line through the SgRP-second and the torso line.  
 L43 HIP ANGLE-SECOND. The angle measured between torso line and thigh centerline.  
 L45 KNEE ANGLE-SECOND. The angle measured between thigh centerline and lower leg centerline.  
 L47 FOOT ANGLE-SECOND. The angle measured between the lower leg centerline and a line tangent to the ball and heel of the three-dimensional devices bare foot flesh line (Reference J826).  
 L48 KNEE CLEARANCE-SECOND. The minimum dimension measured from the knee pivot center to the back of the front seatback minus 51 mm (2.0 in.).  
 L50 SgRP COUPLE DISTANCE-SECOND. The dimension measured horizontally from the driver SgRP-front to the SgRP-second.  
 L51 MINIMUM EFFECTIVE LEG ROOM-SECOND. The dimension measured along a line from the ankle pivot center to the SgRP-second plus 254 mm (10.0 in.).  
 W4 SHOULDER ROOM-SECOND. The minimum dimension measured laterally between door or quarter trimmed surfaces on the "X" plane through the SgRP-second at height between 254-406 mm (10.0-16.0 in.) above the SgRP-second, excluding the door assist straps and attaching parts.  
 W6 HIP ROOM-SECOND. Measured in the same manner as W5.  
 H31 SgRP-SECOND TO HEEL. The dimension measured vertically from the SgRP-second to the two dimensional device heel point on the depressed floor covering.  
 H51 UPPER BODY OPENING TO GROUND-SECOND. The dimension measured vertically from the trimmed body opening to the ground on the "X" plane 330 mm (13.0 in.) forward of the SgRP-second.  
 H63 EFFECTIVE HEAD ROOM-SECOND. The dimension measured along a line 8 deg. rear of vertical from the SgRP to the headlining, plus 102 mm (4.0 in.).  
 H73 FLOOR COVERING-DEPRESSED-SECOND. The dimension measured vertically from the heel point to the underbody sheet metal.

# Specifications Form

## METRIC (U. S. Customary)

### Interior Vehicle And Body Dimensions - Key Sheet

#### Dimensions Definitions

#### Luggage Compartment Dimensions

V1 **USABLE LUGGAGE CAPACITY**-Total of volumes of individual pieces of standard luggage set plus H-boxes stowed in the luggage compartment in accordance with the procedure described in paragraph 8.2 of SAE-J1100a.

#### Interior Volumes (EPA Classification)

The Interior Index is listed for each body style except two seaters. The Interior Volume Index estimates the space in a car. It is based on four measurements - head room, shoulder room, hip room, and leg room - for the front and rear seats, plus trunk capacity.

The Trunk/Cargo Index is an estimate of the size of the trunk/cargo space. In station wagons and hatchbacks it is an estimate of the space behind the second seat.

#### Station Wagon/MPV - Third Seat Dimensions

L85 **SgRP COUPLE DISTANCE-THIRD**. The dimension measured horizontally from the SgRP-second to the SgRP-third.

L86 **EFFECTIVE LEG ROOM-THIRD**. The dimension measured along a line from the ankle pivot center to the SgRP-third plus 254 mm (10.0 in.).

L87 **KNEE CLEARANCE-THIRD**. The minimum dimension from the knee pivot center to the back of second seatback minus a constant of 51 mm (2.0 in.). With rear-facing third seat, dimension is measured to closure.

L88 **BACK-ANGLE-THIRD**. Measured in the same manner as L41.

L89 **HIP ANGLE-THIRD**. Measured in the same manner as L43.

L90 **KNEE ANGLE-THIRD**. Measured in the same manner as L45.

L91 **FOOT ANGLE-THIRD**. Measured in the same manner as L47.

W85 **SHOULDER ROOM-THIRD**. Measured in the same manner as W4.

W86 **HIP ROOM-THIRD**. Measured in the same manner as W5.

H86 **EFFECTIVE HEAD ROOM-THIRD**. The dimension, measured along a line 8 deg. from the SgRP-third to the headlining rear of vertical plus a constant of 102 mm (4.0 in.).

H87 **SgRP-THIRD TO HEEL POINT**

SD1 **SEAT FACING DIRECTION-THIRD**.

#### Station Wagon/MPV - Cargo Space Dimensions

L200 **CARGO LENGTH-OPEN-FRONT**. The minimum dimension measured longitudinally from the back of the front seatback at the height of the undepressed floor covering to the rearmost point on the undepressed floor covering on the open tailgate or cargo surface if the rear closure is a conventional door type tailgate at the zero "Y" plane.

L201 **CARGO LENGTH-OPEN-SECOND**. The dimension measured longitudinally from the back of the second seatback at the height of the undepressed floor covering on the open tailgate or cargo floor surface if the rear closure is a conventional door type tailgate, at the zero "Y" plane.

L202 **CARGO LENGTH-CLOSED-FRONT**. The minimum dimension measured horizontally from the back of the front seat at the height of the undepressed floor covering to the rearmost point on the undepressed floor covering on the closed tailgate or taildoor for station wagons, trucks and mpv's at the zero "Y" plane.

L203 **CARGO LENGTH-CLOSED-SECOND**. The dimension measured horizontally from the back of the second seat at the height of the undepressed floor covering to the rearmost point on the undepressed floor covering on the closed tailgate or taildoor for station wagons, trucks and mpv's at the zero "Y" plane.

L204 **CARGO LENGTH AT BELT-FRONT**. The minimum dimension measured horizontally from the back of the front seatback at the seatback top to the foremost normal surface of the closed tailgate or inside surface of the cab backpanel at the height of the belt, on the zero "Y" plane.

L205 **CARGO LENGTH AT BELT-SECOND**. The minimum dimension measured horizontally from the back of the second seatback top to the foremost normal surface of the closed tailgate at the height of the belt, on the zero "Y" plane.

W201 **CARGO WIDTH-WHEELHOUSE**. The minimum dimension measured laterally between the trimmed wheelhousings at floor level. For any vehicle not trimmed, measure to the sheet metal.

W203 **REAR OPENING WIDTH AT FLOOR**. The minimum dimension measured laterally between the limiting interferences of the rear opening at floor level.

W204 **REAR OPENING WIDTH AT BELT**. The minimum dimension measured laterally between the limiting interferences of the rear opening at belt height or top of pick up box.

W205 **REAR OPENING WIDTH ABOVE BELT**. The minimum dimension measured laterally between the limiting interferences of the rear opening above the belt height.

W500 **CARGO WIDTH AT FLOOR**. The maximum dimension measured laterally between the limiting interferences at the floor level. This dimension shall include ribs and pillars, but will exclude wheelhouses.

H197 **FRONT SEATBACK TO LOAD FLOOR HEIGHT**. The dimension measured vertically from the horizontal tangent to the top of the seatback to the undepressed floor covering.

H201 **CARGO HEIGHT**. The dimension measured vertically from the top of the undepressed floor covering to the headlining at the rear wheel "X" coordinate on the zero "Y" plane.

H202 **REAR OPENING HEIGHT**. The dimension measured vertically from the top of the undepressed floor covering to the upper trimmed opening on the zero "Y" plane with rear door fully open.

H250 **TAILGATE TO GROUND CURB MASS (WT.)** The dimension measured vertically from the top of the undepressed floor covering on the lowered tailgate to ground on the zero "Y" plane.

H505 **MAXIMUM CARGO HEIGHT**. The maximum vertical dimension rear of the front seat from the cargo floor to roof bow or headlining at the zero "Y" plane.

# Specifications Form

## METRIC (U. S. Customary)

### Interior Vehicle And Body Dimensions - Key Sheet

#### Dimensions Definitions

<p>V2 STATION WAGON Measured in inches:</p> $\frac{W4 \times H201 \times L204}{1728} = ft^3$ <p>Measured in mm:</p> $\frac{W4 \times H201 \times L204}{10^9} = m^3 (cubicmeter)$	<p>L208 CARGO LENGTH AT FRONT SEATBACK HEIGHT. The minimum horizontal dimension from the "X" plane tangent to the rearmost surface of the driver's seatback to the inside limiting interference of the hatchback door on the vehicle zero "Y" plane.</p> <p>L209 CARGO LENGTH AT FLOOR-FRONT. The minimum horizontal dimension measured at floor level from the rear of the front seatback to the normal limiting interference of the hatchback door on the vehicle zero "Y" plane.</p> <p>L210 CARGO LENGTH AT SECOND SEATBACK HEIGHT. The minimum dimension measured from the "X" plane tangent to the rearmost surface of second seatback or the load floor which is towed at least one half of the H198 dimension height above the rear load floor, to the rearmost inside limiting interference on the zero "X" plane.</p>
<p>V4 HIDDEN LUGGAGE CAPACITY-REAR OF FRONT SEAT. The total volumes of individual pieces of one set of standard luggage stowed in any hidden cargo area below the load floor rear of the front seat.</p> <p>V5 TRUCKS AND MPV'S WITH OPEN AREA. Measured in inches:</p> $\frac{L506 \times W505 \times H503}{1728} = ft^3$ <p>Measured in mm:</p> $\frac{L506 \times W500 \times H503}{10^9} = m^3 (cubicmeter)$	<p>L211 CARGO LENGTH AT FLOOR-SECOND SEATBACK. The minimum horizontal dimension measured at floor level from the rear of the second seatback or load floor panel to the normal limiting interference of the hatchback door on the vehicle zero "Y" plane.</p> <p>H197 FRONT SEATBACK TO LOAD HEIGHT. The dimension measured vertically from the horizontal tangent to the top of the seatback to the undepressed floor covering.</p> <p>H198 SECOND SEATBACK TO LOAD FLOOR HEIGHT. The dimension measured vertically from the second seatback to the undepressed floor covering.</p> <p>V3 HATCHBACK. Measured in inches:</p> $\frac{L208 + L209}{2} \times W4 \times H197 = ft^3$ <p>Measured in mm:</p> $\frac{L208 + L209}{2} \times W4 \times H197 = m^3 (cubicmeter)$
<p>V6 TRUCKS AND MPV'S WITH CLOSED AREA. Measured in inches:</p> $\frac{L204 \times W500 \times H505}{1728} = ft^3$ <p>Measured in mm:</p> $\frac{L204 \times W500 \times H505}{10^9} = m^3 (cubicmeter)$	<p>V4 HIDDEN LUGGAGE CAPACITY-REAR OF FRONT SEAT. The total volumes of individual pieces of one set of standard luggage stowed in any hidden cargo area below the load floor rear of the front seat.</p> <p>V11 HATCHBACK CARGO VOLUME INDEX. Usable luggage (one (1) stand and luggage set) below floor: Measured in inches:</p> $\frac{L210 + L211}{2} \times W4 \times H198 = ft^3$ <p>Measured in mm:</p> $\frac{L210 + L211}{2} \times W4 \times H198 = m^3 (cubicmeter)$
<p>V8 HIDDEN LUGGAGE CAPACITY-REAR OF SECOND SEAT. The total volume of individual pieces of one set of standard luggage stowed in any hidden cargo area below the load floor rear of the second seat.</p> <p>V10 STATION WAGON CARGO VOLUME INDEX. Measured in inches:</p> $\frac{H201 \times L205 \times \frac{W4 + W201}{2}}{1728} = ft^3$ <p>Measured in mm:</p> $\frac{H201 \times L205 \times \frac{W4 + W201}{2}}{10^9} = m^3 (cubicmeter)$	

#### Hatchback - Cargo Space Dimensions

All Hatchback cargo dimensions are to be taken with the front seat in full down and rear position, and the rear seat folded down. The hatchback door is in the closed position. (For electronically adjusted seats, see the manufacturer's specifications for Design "H" Point).

# Specifications Form

## METRIC (U. S. Customary)

### Index

Subject	Page No.	Subject	Page No.
Alternator	16	Origin	1
Axle, Drive, Front, Rear, All Four	2, 9, 10	Passenger Capacity	1
Axle Shafts	10	Passenger Mass Distribution	26
Battery	16	Pistons	3
Body and Miscellaneous Information	17	Power Brakes	12
Brakes-Parking Service	12, 13	Power Engine	2
Camber	15	Power Steering	14
Camshaft	3	Power Teams	2
Capacities		Propeller Shaft	10
Cooling System	5	Pumps-Fuel	6
Fuel Tank	6	Water	5
Lubricants		Radiator-Cap, Hoses, Core	5
Engine Crankcase	4	Ratios-Axle, Transaxle	2,9,10
Transmission/Transaxle	8,9	Compression	2
Rear Axle	10	Steering	14
Carburetor	2,8	Transmission/Transaxle	2,8,9
Caster	15	Rear Axle	2,10
Climate Control System	19	Regulator-Alternator	18
Clutch-Pedal Operated	8	Restraint System	18
Coil, Ignition	18	Rims	13
Connecting Rods	4	Rods-Connecting	4
Convenience Equipment	20-21	Scrub Radius	14
Cooling System	5	Seats	17
Crankshaft	4	Shock Absorbers, Front & Rear	11
Cylinders and Cylinder Head	3	Spark Plugs	18
Diesel Information	4	Speedometer	15
Dimension Definitions		Springs-Front & Rear Suspension	11
Key Sheet-Exterior	28,31,32	Stabilizer (Sway Bar)-Front & Rear	11
Key Sheet-Interior	29,30,32,33,34	Starting System	16
Electrical System	15,16	Steering	14
Emission Controls	7	Suppression-Ignition, Radio	18
Engine-General		Suspension-Front & Rear	11
Bore, Stroke, Type	3	Tail Pipe	7
Compression Ratio	2	Theft Protection	21
Displacement	2,3	Thermostat, Cooling	5
Firing Order, Cylinder Numbering	3	Tires	13
General Information, Power & Torque	2	Toe-in	15
Intake System	4	Torque Converter	9
Power Teams	2	Torque-Engine	2,8,9
Exhaust System	7	Trailer Towing	21
Equipment Availability, Convenience	20	Transaxle	9
Fan, Cooling	5	Transmission-Types	2,8,9
Filters - Engine Oil, Fuel System	4	Transmission-Automatic	2,9
Four Wheel Drive	10	Transmission-Manual	2,8
Frame	17	Transmission-Ratios	2,8,9
Front Suspension	11	Tread	22
Front Wheel Drive Unit	10	Trunk Cargo Load	1
Fuel Economy, EPA	1	Trunk Luggage capacity	23
Fuel Injection	6	Turning Diameter	14
Fuel System	6	Unitized Construction	18
Fuel Tank	6	Universal Joints, Propeller Shaft	10
Glass	18	Valve System	4
Headlamps	18	Vehicle Dimensions	
Headroom-Body	23,24	Width	22
Heights	22	Length	22
Horns	15	Height	22
Horsepower-Brake	2	Ground Clearance	22
Ignition System	18	Front Compartment	23
Inflation-Tires	13	Rear Compartment	23
Interior Volumes	23	Luggage Compartment	23
Instruments	15	Station Wagon-Third Seat	24
Legroom	23,24	Station Wagon-Cargo Space	24
Lengths	22	Hatchback-Cargo Space	24
Leveling,Suspension	11	Fiducial Marks	25
Lifters, Valve	4	Voltage Regulator	16
Linings-Clutch, Brake	8,12	Water Pump	5
Lubrication-Engine Transmission/Transaxle	4,8,9	Weights	26,27
Luggage Compartment	23	Wheel Alignment	15
Models	1	Wheelbase	22
Motor Starting	16	Wheels & Tires	13
Muffler	7	Wheel Spindle	14
		Widths	22
		Windshield	18
		Windshield Wiper and Washer	15

