




MANUFACTURERS MOTOR VEHICLE SPECIFICATIONS

METRIC (U.S. Customary)

1992

Manufacturer NEW UNITED MOTOR MANUFACTURING INC. (NUMMI)	Vehicle Line  Geo PRIZM	
Mailing Address CHEVROLET-PONTIAC-CANADA GROUP ENGINEERING CENTER GENERAL MOTORS CORPORATION 30003 VAN DYKE WARREN, MICHIGAN 48090-9060	Issued SEPTEMBER, 1991	Revised

Direct questions concerning these specifications to the manufacturer listed above.

The information contained herein is prepared, distributed by, and is solely the responsibility of the vehicle manufacturing company to whose products it relates. This specification form was developed by the vehicle manufacturing companies under the auspices of the Motor Vehicle Manufacturers Association of the United States, Inc.

The General Specifications herein are those in effect at date of compilation and are subject to change without notice or incurring obligation by the manufacturer.



Motor Vehicle Manufacturers Association
of the United States, Inc.

Blank Forms Provided by Technical Affairs Division



2
4

4



MVMA Specifications

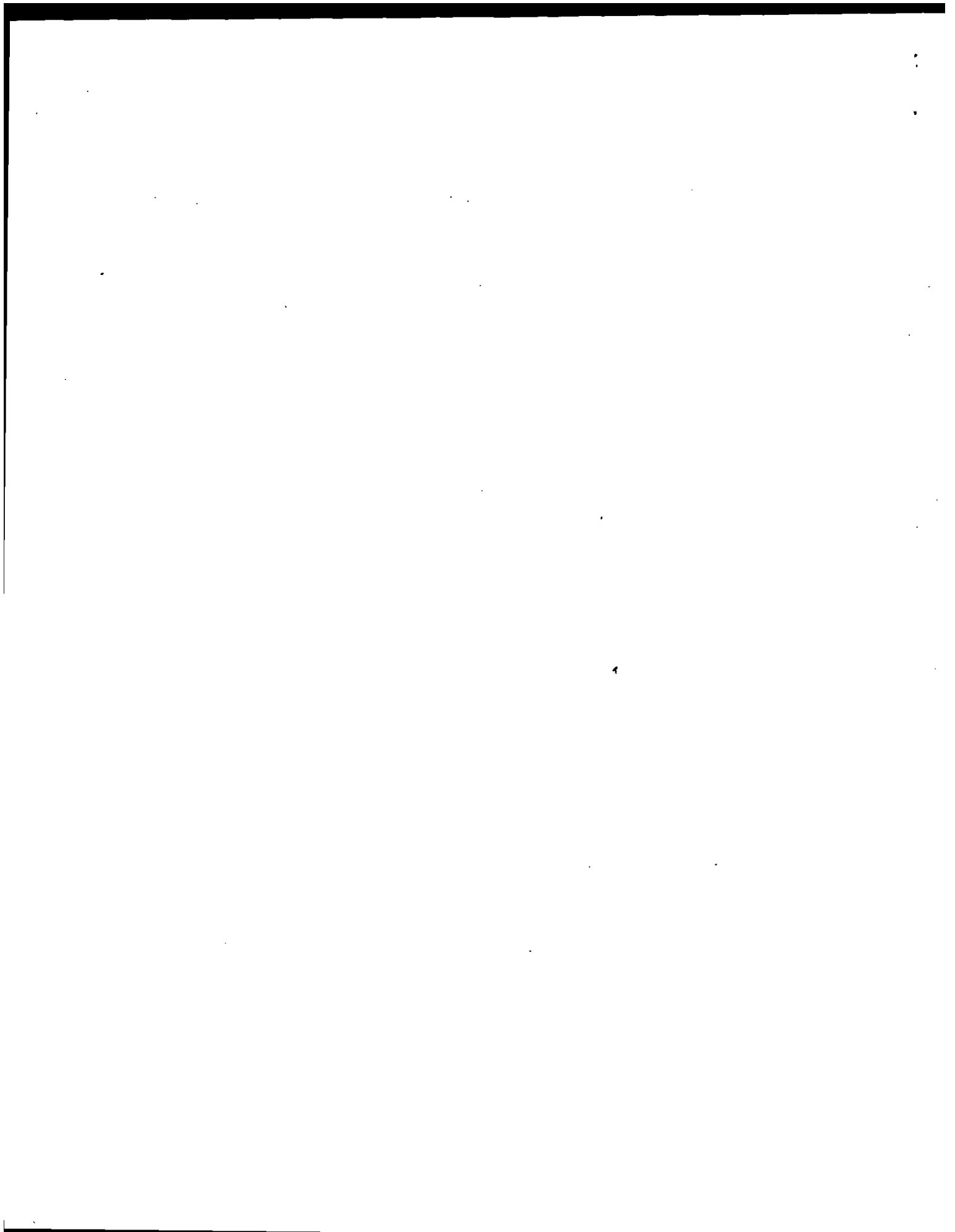
METRIC (U.S. Customary)

Table of Contents

	1	Vehicle Models/Origin	
	2	Power Teams	
○	3	Engine	○ Indicates Format Change From Previous Year
	4	Lubrication System	
	4	Diesel Information	
	5	Cooling System	
	6	Fuel System	
	7	Vehicle Emission Control	
	7	Exhaust System	
○	8-10	Transmission, Axles and Shafts	
○	11	Suspension	
○	12-13	Brakes, Tires and Wheels	
○	14	Steering	
	15-16	Electrical	
	17	Body — Miscellaneous Information	
○	17	Frame	
	18	Restraint System	
	18	Glass	
	18	Headlamps	
○	19	Climate Control System	
	20-21	Convenience Equipment	
	21	Trailer Towing	
○	22-24	Vehicle Dimensions	
	25	Vehicle Fiducial Marks	
	26	Vehicle Mass (Weight)	
	27	Optional Equipment Differential Mass (Weight)	
○	28-34	Vehicle Dimensions Definitions - Key Sheets	
○	35	Index	

NOTE:

1. This form uses both SI metric units and U.S. Customary units. The metric unit of measure is presented first, and the U.S. Customary unit follows in parentheses.
2. UNLESS OTHERWISE INDICATED:
 - a. Specifications apply to standard models without optional equipment. Significant deviations are noted.
 - b. Nominal design dimensions are used throughout these specifications.
 - c. All linear dimensions are in millimeters (inches), and all mass (weight) specs. are in kilograms (pounds).
3. The General Specifications herein are those in effect at date of compilation and are subject to change without notice or incurring obligation by the manufacturer.
4. Additional Vehicle Dimensions (based in part on SAE J1100 "Motor Vehicle Dimensions") may be available from the manufacturer.



MVMA Specifications

Vehicle Line Geo PRIZM
Model Year 1992 Issued 9-91 Revised(*) _____

METRIC (U.S. Customary)

Vehicle Origin

Design & development (company)	Toyota Motor Corporation
Where built (country)	U.S.A.
Authorized U.S. Sales marketing representative	Chevrolet/Geo

Vehicle Models

Model Description & Drive (FWD/RWD/AWD/4WD)*	Make, Vehicle Models, Series, Body Type (Mfg's Model Code)	No. of Designated Seating Positions (Front/Rear)	Max. Trunk/Cargo Load—Kilograms (Pounds)	EPA Fuel Economy (City/Hwy)
Geo PRIZM 4-Door Notchback Sedan (FWD)	1SK19	5 (2/3)	45 (100)	28/33, Man. 25/29, Auto.
Geo PRIZM GSi 4-Door Notchback Sedan (FWD)	1SL19	5 (2/3)	45 (100)	25/31, Man. 23/30, Auto.

* FWD - Front Wheel Drive RWD - Rear Wheel Drive AWD - All Wheel Drive 4WD - Four Wheel Drive

MVMA Specifications

Vehicle Line Geo PRIZM
 Model Year 1992 Issued 9-91 Revised(*)

METRIC (U.S. Customary) Power Teams

SAE J1349 Net bhp (brake hrspwr) and Net Torque corrected to 77 deg. F / 25 deg. C and 29.61 in. Hg/100 kPA atmos. press.

		A	B	C	D	
E N G I N E	Engine Code	L01	L01	LW0	LW0	
	Displacement Liters (cu. in.)	1.6 (97)	1.6 (97)	1.6 (97)	1.6 (97)	
	Induction system (FI, Carb, etc.)	Multi-Port Fuel Injection	Multi-Port Fuel Injection	Multi-Port Fuel Injection	Multi-Port Fuel Injection	
	Compression ratio	9.5:1	9.5:1	10.3:1	10.3:1	
	SAE Net at RPM	Power kW (bhp)	76 (102) @ 5800	76 (102) @ 5800	97 (130) @ 6800	97 (130) @ 6800
		Torque Newton meters (lb.ft.)	137 (101) @ 4800	137 (101) @ 4800	142 (105) @ 6000	142 (105) @ 6000
Exhaust Single, dual		Single	Single	Single	Single	
T R A N S	Transmission/ Transaxle	Manual Transaxle 5-Speed	Auto Transaxle 3-Speed	Manual Transaxle 5-Speed	Auto Transaxle 4-Speed	
	Axle Ratio (std. first)	3.72	3.53	4.31	2.96	

Series Availability

Power Teams (A - B - C - D)

Model	Code	Standard	Optional
Geo PRIZM			
4-Dr. Notchback Sedan	1SK19	A	B
Geo PRIZM GSi			
4-Dr. Notchback Sedan	1SL19	C	D

MVMA Specifications

Vehicle Line Geo PRIZM
 Model Year 1992 Issued 9-91 Revised(*)

METRIC (U.S. Customary)

Engine Description	1.6 LITER L4 (97 CID)
Engine Code	MULTI-PORT FUEL INJECTION RPO L01

ENGINE - GENERAL

Type & description (inline, V, angle, flat, location, front, mid, rear, transverse, longitudinal, sohc, dohc, ohv, hemi, wedge, pre-chamber, etc.)	Inline, Front, Transverse, DOHC Pent Roof	
Manufacturer	Toyota Motor Corporation	
No. of cylinders	4	
Bore	81.0 mm (3.2 in.)	
Stroke	77.0 mm (3.0 in.)	
Bore spacing (C/L to C/L)	87.5 mm (3.4 in.)	
Cyl. block matl & mass kg(lbs.) (machined)	Cast Iron, 31.3 (69.0)	
Cylinder block deck height	191.0 mm (7.5 in.)	
Cylinder block length	391.5 mm (15.4 in.)	
Deck clearance (minimum) (above or below block)	0.00 mm	
Cyl. head material & mass kg (lbs.)	Aluminum Alloy, 9.3	
Cylinder head volume (cu.cm.) (cu.in.)	30.2	
Cylinder liner material	Not Applicable	
Head gasket thickness (compressed)	1.20 mm (.05 in.)	
Minimum combustion chamber total volume (cm. cu.) (cu. in.)	46.7	
Cyl. no. system (front to rear)*	L. Bank	1-2-3-4
	R. Bank	
Firing order	1-3-4-2	
Intake manifold matl & mass kg(lbs.)**	Aluminum Alloy, 2.8 (6.2) *1, 3.1 (6.8) *2	
Exh. manifold matl & mass kg (lbs.)**	Spheroidal Graphite Cast Iron, 4.0 (8.8)	
Knock sensor (number & location)		
Fuel required unleaded, diesel, etc.	Unleaded	
Fuel antiknock index (R + M) / 2	87	
Engine mounts	Quantity	5
	Matl and type (elastomeric, hydroelastic, hydraulic damper, etc.)	Rubber, Elastomeric
	Added isolation (sub-frame, crossmember, etc.)	Sub-frame, Crossmember
Total dressed engine mass (wt) dry***	Manual Trans. 118 kg, Automatic Trans. 110 kg	

Engine - Pistons

Material & mass, g (weight, oz.) - piston only	Aluminum Alloy, 293 (10.3)
--	----------------------------

Engine Camshaft

Location	Over Cylinder Head	
Material & mass kg (weight, lbs.)	Gray Cast Iron, (IN) 1.4; (EX) 1.9	
Drive type	Chain/belt	Belt
	Width/pitch	19.1/9.525 mm (.75/.375 in.)

*Rear of engine - drive takeoff. View from drive takeoff end to determine left & right side of engine.
 **Finished state.
 ***Dressed engine mass (weight) includes the following:

MVMA Specifications

Vehicle Line Geo PRIZM
 Model Year 1992 Issued 9-91 Revised(*) _____

METRIC (U.S. Customary)

Engine Description
 Engine Code

1.6 LITER L4 (97 CID)
 MULTI-PORT FUEL INJECTION RPO LWO

ENGINE - GENERAL

Type & description (inline, V, angle, flat, location, front, mid, rear, transverse, longitudinal, sohc, dohc, ohv, hemi, wedge, pre-chamber, etc.)	Inline, Front, Transverse, DOHC Pent Roof	
Manufacturer	Toyota Motor Corporation	
No. of cylinders	4	
Bore	81.0 mm (3.2 in.)	
Stroke	77.0 mm (3.0 in.)	
Bore spacing (C/L to C/L)	87.5 mm (3.4 in.)	
Cyl block matl & mass kg(lbs.) (machined)	Cast Iron, 31.3	
Cylinder block deck height	191.0 mm (7.5 in.)	
Cylinder block length	391.5 mm (15.4 in.)	
Deck clearance (minimum) (above or below block)	0.00 mm	
Cyl. head material & mass kg (lbs.)	Aluminum Alloy, 11.1 (24.5)	
Cylinder head volume cu. cm. (cu.in.)	36.0 (2.20)	
Cylinder liner material	Not Applicable	
Head gasket thickness (compressed)	1.20 mm (.05 in.)	
Minimum combustion chamber total volume cu. cm. (cu. in.)	47.2 (2.9)	
Cyl. no. system (front to rear)*	L. Bank	1-2-3-4
	R. Bank	
Firing order	1-3-4-2	
Intake manifold matl & mass kg(lbs.)	**	Aluminum Alloy, 4.8 (10.6)
Exh. manifold matl & mass kg (lbs.) **	Spheroidal Graphite Cast Iron, 6.0 (13.2)	
Knock sensor (number & location)		
Fuel required unleaded, diesel, etc.	Unleaded	
Fuel antiknock index (R + M) / 2	91	
Engine mounts	Quantity	5
	Matl and type (elastomeric, hydroelastic, hydraulic damper, etc.)	Rubber, Elastomeric
	Added isolation (sub-frame, crossmember, etc.)	Sub-frame, Crossmember
Total dressed engine mass (wt) dry***	Manual Trans. 118.7 kg. (261.7 lbs.), Automatic Trans. 112.4 kg. (247.8 lbs.)	

Engine - Pistons

Material & mass, g (weight, oz.) - piston only	Aluminum Alloy, 310 (10.8)
--	----------------------------

Engine Camshaft

Location	Over Cylinder Head	
Material & mass kg (weight, lbs.)	Alloy Cast Iron, (No. 1) 1.7 (3.7); (No.2) 1.6 (3.5)	
Drive type	Chain/belt	Belt
	Width/pitch	19.1/9.525 mm (.75/.375 in.)

*Rear of engine - drive takeoff. View from drive takeoff end to determine left & right side of engine.

**Finished state.

***Dressed engine mass (weight) includes the following:

MVMA Specifications

Vehicle Line Geo PRIZM
 Model Year 1992 Issued 9-91 Revised(*)

METRIC (U.S. Customary)

Engine Description

1.6 LITER L4 (97 CID)

Engine Code

MULTI-PORT FUEL INJECTION RPO L01

Engine - Valve System

Hydraulic lifters (std., opt., n.a.)		Not Applicable
Valves	Number intake/exhaust	8/8
	Head O.D. intake/exhaust	30/24.5 mm (1.18/.96 in.)

Engine - Connecting Rods

Material & mass kg., (weight, lbs.)*	Steel, 0.460
Length(axis centerline to centerline)	122 mm

Engine - Crankshaft

Material & mass kg., (weight, lbs.)*		Spheroidal Graphite Cast Iron, 10.8 (23.8)
End thrust taken by bearing (no.)		#3
Length & number of main bearings		20.0 mm, 5
Seal (material, one, two piece design, etc.)	Front	Acrylate, 1
	Rear	Silicone, 1

Engine - Lubrication System

Normal oil pressure kPa(psi) @ eng rpm	373 / 2000
Type oil intake (floating, stationary)	Stationary
Oil filter sys. (full flow, part, other)	Full Flow
Capacity of c/case, less filter-refill-L (qt.)	3.0 (3.2)

Engine - Diesel Information

(NOT APPLICABLE)

Diesel engine manufacturer		
Glow plug, current drain at 0 deg. F		
Injector Nozzle	Type	
	Opening pressure kPa(psi)	
Pre-chamber design		
Fuel injection pump	Manufacturer	
	Type	
Fuel inj. pump drive (belt, chain, gear)		
Supplementary vacuum source (type)		
Fuel heater (yes/no)		
Water separator, description (std., opt.)		
Turbo manufacturer		
Oil cooler-type (oil to engine coolant; oil to ambient air)		
Oil filter		

Engine - Intake System

(NOT APPLICABLE)

Turbo charger - manufacturer		
Super charger - manufacturer		
Intercooler		

* Finished State

MVMA Specifications

Vehicle Line Geo PRIZM
 Model Year 1992 Issued 9-91 Revised(*)

METRIC (U.S. Customary)

Engine Description
 Engine Code

1.6 LITER L4 (97 CID)
 MULTI-PORT FUEL INJECTION RPO LW0

Engine - Valve System

Hydraulic lifters (std., opt., n.a.)		Not Applicable
Valves	Number intake/exhaust	8/8
	Head O.D. intake/exhaust	30.5/25.5 mm (1.20/1.00 in.)

Engine - Connecting Rods

Material & mass kg., (weight, lbs.)*	Steel, 0.526
Length (axes centerline to centerline) mm	122 mm

Engine - Crankshaft

Material & mass kg., (weight, lbs.)*	Steel, 12.4	
End thrust taken by bearing (no.)	#3	
Length & number of main bearings	20.0 mm, 5	
Seal (material, one, two piece design, etc.)	Front	Acrylate, 1
	Rear	Silicone, 1

Engine - Lubrication System

Normal oil pressure kPa(psi) @ eng rpm	392 / 6000
Type oil intake (floating, stationary)	Stationary
Oil filter sys. (full flow, part, other)	Full Flow
Capacity of c/case, less filter-refill-L (qt.)	3.4 (3.6)

Engine - Diesel Information

(NOT APPLICABLE)

Diesel engine manufacturer	
Glow plug, current drain at 0 deg. F	
Injector Nozzle	Type
	Opening pressure kPa(psi)
Pre-chamber design	
Fuel in-jection pump	Manufacturer
	Type
Fuel inj. pump drive (belt, chain, gear)	
Supplementary vacuum source (type)	
Fuel heater (yes/no)	
Water separator, description (std., opt.)	
Turbo manufacturer	
Oil cooler-type (oil to engine coolant; oil to ambient air)	
Oil filter	

Engine - Intake System

(NOT APPLICABLE)

Turbo charger - manufacturer	
Super charger - manufacturer	
Intercooler	

* Finished State

MVMA Specifications

Vehicle Line Geo PRIZM
 Model Year 1992 Issued 9-91 Revised(*)

METRIC (U.S. Customary)

Engine Description	1.6 LITER L4 (97 CID)
Engine Code	MULTI-PORT FUEL INJECTION RPO L01

Engine - Cooling System

Coolant recovery system (std, opt, n.a.)		Standard
Coolant fill location (rad., bottle)		Radiator
Radiator cap relief valve pressure kPa (psi)		88.3
Circulation thermostat	Type (choke, bypass)	Bypass
	Starts to open @ deg's C(F)	82
Water Pump	Type (centrifugal, other)	Centrifugal
	GPM 1000 pump rpm	0.38 L/Sec
	Number of pumps	1
	Drive (V-belt, other)	V-Ribbed Belt
	Bearing type	Sealed Type
	Impeller material	Stainless Steel
	Housing material	Aluminum Alloy
By-pass recirculation type (inter., ext.)		External
Cooling system capacity	With heater - L (qt.)	5.6 (5.9)* 1, 5.5 (5.8)* 2
	With air conditioner-L(qt.)	5.6 (5.9)* 1, 5.5 (5.8)* 2
	Opt. equip. specify-L(qt.)	Not Applicable
Water jackets full length of cyl(yes,no)		Yes
Water all around cylinder (yes, no)		No
Water jackets open at head face (yes,no)		No
Radiator core	Std., A/C, HD	Standard
	Type (cross-flow, etc.)	Vertical
	Construction (fin & tube mechanical, braze, etc.)	Corrugated Fin
	Matl. mass kg (wgt., lbs.)	Fin: Copper. Tube: Brass M/T 3.60; A/T 4.70
	Width	666.4 mm (26.2 in.)
	Height	326.3 mm (12.8 in.)
	Thickness	16.0 mm (.63 in.)
	Fins per inch	21 (M/T) 23 (A/T)
Radiator end tank material		Resin
Fan	Std., elec., opt.	Elec.
	Number of blades & type (flex, solid, material)	4, Solid
	Diameter & projected width	300 x 88 mm (11.8 x 3.5 in.)
	Ratio(fan to crnkshft,rev.)	-
	Fan cutout type	Thermo Switch
	Drive type (direct, remote)	Motor
	RPM at idle (elec.)	2100
	Motor rating(wattage)(elec)	80
	Motor switch (type & location/elec.)	Thermo Housing
	Switch point (temp.,/ pressure/elec.)	90 deg. C
	Fan shroud (material)	Resin

*1: M/T

*2: 3 A/T

MVMA Specifications

Vehicle Line Geo PRIZM
 Model Year 1992 Issued 9-91 Revised(*) _____

METRIC (U.S. Customary)

Engine Description
 Engine Code

1.6 LITER L4 (97 CID)
 MULTI-PORT FUEL INJECTION RPO LW0

Engine - Cooling System

Coolant recovery system (std, opt, n.a.)		Standard
Coolant fill location (rad., bottle)		Radiator
Radiator cap relief valve pressure kPa (psi)		88.3
Circulation thermostat	Type (chokes, bypass)	Bypass
	Starts to open @ deg's C(F)	82
Water Pump	Type (centrifugal, other)	Centrifugal
	GPM 1000 pump rpm	0.50 L/Sec
	Number of pumps	1
	Drive (V-belt, other)	V-Ribbed Belt
	Bearing type	Sealed Type
	Impeller material	Stainless Steel
	Housing material	Aluminum Alloy
By-pass recirculation type (inter., ext.)		External
Cooling system capacity	With heater - L (qt.)	6.0 (6.3)
	With air conditioner-L(qt.)	6.0 (6.3)
	Opt. equip. specify-L(qt.)	Not Applicable
Water jackets full length of cycles, no)		Yes
Water all around cylinder (yes, no)		No
Water jackets open at head face (yes, no)		No
Radiator core	Std., A/C, MD	Standard
	Type (cross-flow, etc.)	Vertical
	Construction (fin & tube mechanical, braze, etc.)	Corrugated Fin
	Matl. mass kg (wgt., lbs.)	Fin: Copper. Tube: Brass M/T 3.51; A/T 4.02
	Width	666.4 mm (26.2 in.)
	Height	326.3 mm (12.8 in.)
	Thickness	16.0 mm (.63 in.)
Fins per inch		21 (M/T, A/T)
Radiator end tank material		Resin
Fan	Std., elec., opt.	Elec.
	Number of blades & type (flex, solid, material)	4, Solid
	Diameter & projected width	300 x 88 mm (11.8 x 3.5 in.)
	Ratio(fan to crkshft.rev.)	-
	Fan cutout type	Thermo Switch
	Drive type (direct, remote)	Motor
	RPM at idle (elec.)	2100
	Motor rating(wattage/elec)	80
	Motor switch (type & location/elec.)	Water Temperature, Water Inlet
	Switch point (temp./ pressure/elec.)	90 deg. C
	Fan shroud (material)	

MVMA Specifications

Vehicle Line Geo PRIZM
 Model Year 1992 Issued 9-81 Revised(*) _____

METRIC (U.S. Customary)

Engine Description	1.6 LITER L4 (97 CID)
Engine Code	MULTI-PORT FUEL INJECTION RPO L01

Engine - Fuel System (See supplemental page for details of Fuel Inj, Supercharger, Turbocharger, etc. if used)

Induction type: carburetor, fuel injection system, etc.		Fuel Injection
Manufacturer		NIPPONDENSO
Carburetor no. of barrels		-
Idle A/F mix.		Preset At Manufacturer
Fuel Injection	Point of inj. (no.)	4
	Constant, pulse, flow	Pulse
	Control (elec., mech.)	Electronic
	Sys. press. kPa (psi)	284
Idle spd.-rpm (spec. neutral or drive and propane if used)	Manual	700 (Fed) 800 (Calif)
	Automatic	700 (Fed) 800 (Calif)
Intake manifold heat control (exhaust or water thermostatic or fixed)		-
Air cleaner type		Dry Type, 1 Element
Fuel filter (type/location)		Filter Paper, Engine Compartment
Fuel pump	Type (elec. or mech.)	Electro Magnetic
	Location (eng., tank)	In Fuel Tank
	Press. range kPa (psi)	284
	Flow rate at regulated pressure L (gal)/hr @ kPa (psi)	MIN. 80. @ 284

Fuel Tank

Capacity refill L (gallons)		50 (13.2)
Location (describe)		Under Rear Floor
Attachment		Banded
Material & Mass kg (weight lbs.)		Steel Sheet
Filler pipe	Location & material	Left Wheel House, Steel Pipe
	Connection to tank	Rubber Hose
Fuel line (material)		Steel Pipe
Fuel hose (material)		Rubber
Return line (material)		Steel Pipe
Vapor line (material)		Steel Pipe
Extended range tank	Opt., n.a.	Not Applicable
	Capacity L (gallons)	"
	Location & material	"
	Attachment	"
Auxiliary tank	Opt., n.a.	Not Applicable
	Capacity L (gallons)	"
	Location & material	"
	Attachment	"
	Sictr switch or valve	"
Separate fill		"

MVMA Specifications

Vehicle Line Geo PRIZM
 Model Year 1992 Issued 9-81 Revised(*) _____

METRIC (U.S. Customary)

Engine Description
 Engine Code

1.6 LITER L4 (97 CID)
 MULTI-PORT FUEL INJECTION RPO LW0

Engine - Fuel System (See supplemental page for details of Fuel Inj, Supercharger, Turbocharger, etc. if used)

Induction type: carburetor, fuel injection system, etc.		Fuel Injection
Manufacturer		AISAN
Carburetor no. of barrels		-
Idle A/F mix.		Preset At Manufacturer
Fuel Injection	Point of inj. (no.)	4
	Constant, pulse, flow	Pulse
	Control (elec., mech.)	Electronic
	Sys. press. kPa (psi)	284
Idle spd. -rpm (spec. neutral or drive and propane if used)	Manual	800
	Automatic	800
Intake manifold heat control (exhaust or water thermostatic or fixed)		-
Air cleaner type		Dry Type, 1 Element
Fuel filter (type/location)		Filter Paper, Engine Compartment
Fuel pump	Type (elec. or mech.)	Electro Magnetic
	Location (eng., tank)	In Fuel Tank
	Press. range kPa (psi)	284
	Flow rate at regulated pressure (L (gal)/hr @ kPa (psi))	MIN. 80, @ 284

Fuel Tank

Capacity refill L (gallons)		50 (13.2)
Location (describe)		Under Rear Floor
Attachment		Banded
Material & Mass kg (weight lbs.)		Steel Sheet
Filler pipe	Location & material	Left Wheel House, Steel Pipe
	Connection to tank	Rubber Hose
Fuel line (material)		Steel Pipe
Fuel hose (material)		Rubber
Return line (material)		Steel Pipe
Vapor line (material)		Steel Pipe
Extended range tank	Opt., n.a.	Not Applicable
	Capacity L (gallons)	"
	Location & material	"
	Attachment	"
Auxiliary tank	Opt., n.a.	Not Applicable
	Capacity L (gallons)	"
	Location & material	"
	Attachment	"
	Slctr switch or valve	"
Separate fill		"

MVMA Specifications

Vehicle Line Geo PRIZM
 Model Year 1992 Issued 9-91 Revised(*)

METRIC (U.S. Customary)

Engine Description	1.6 LITER L4 (97 CID)
Engine Code	MULTI-PORT FUEL INJECTION RPO L01

Vehicle Emission Control

Exhaust Emission Control	Type (air injection, engine modifications, other)		EFI + Oxygen Sensor + TWC *1 EFI + Oxygen Sensor + TWC + EGR*2
	Air injection	Pump or pulse	Not Applicable
		Driven by	"
		Air distribution (head, manifold, etc.,)	"
		Point of entry	"
	Exhaust Gas Recirculation	Type (controlled flow, open orifice, other)	Exhaust Back Pressure
		Exhaust source	Cylinder Head
		Point of exh.inj. (spacer, carb., manifold, other)	Intake Manifold
	Catalytic Converter	Type	3-Way
		Number of	1
Location(s)		Forward Under Floor Area	
Volume L (cu.in)		1.3	
Substrate type		Monolith	
Noble metal type		Platinum (Pt), Rhodium (Rh)	
Crankcase Emission Control	Type (ventilates to atmosphere, induction system, other)		Closed
	Energy source (manifold vacuum, carburetor, other)		Manifold Vacuum, Crankcase Pressure
	Discharges to (intake manifold, other)		Intake Manifold
	Air int.(breather cap, other)		Throttle Body
Evaporative Emission Control	Vapor vented to (crankcase, canister, other)	Fuel tank	Canister
		Carburetor	-
Vapor storage provision		Canister	
Electronic System	Closed loop (yes/no)		Yes
	Open loop (yes/no)		No

Engine - Exhaust System

*1: FED *2: CAL Spec

Type (single, single with cross-over, dual, other)		Single
Muffler no. & type (reverse flow, straight thru, separate resonator) Material & Mass kg (weight lbs.)		1, Straight Flow 1, Reverse Flow
Resonator no. & type		-
Exhaust pipe	Branch o.d., wall thickness	-
	Main o.d., wall thickness	42.7, 1.5 mm (1.68, .059 in.)
	Matl. & Mass kg (wght.lbs.)	Stainless Steel, 1.3
Inter-mediate pipe	o.d. & wall thickness	48.6, 1.5 mm; 42.7, 1.5 mm (1.91, .059 in.; 1.68, .059 in.)
	Matl. & Mass kg (wght.lbs.)	Stainless Steel 0.3 (0.66) / Stainless Steel, 2.1 (4.63)
Tail pipe	o.d. & wall thickness	42.7, 1.2 mm (1.68, .047 in.)
	Matl. & Mass kg (wght.lbs.)	Stainless Steel 0.9 (1.98)

MVMA Specifications

Vehicle Line Geo PRIZM
 Model Year 1992 Issued 9-91 Revised(*) _____

METRIC (U.S. Customary)

Engine Description	1.6 LITER L4 (97 CID)
Engine Code	MULTI-PORT FUEL INJECTION RPO LW0

Vehicle Emission Control

Exhaust Emission Control	Type (air injection, engine modifications, other)		EFI + EGR + *Oxygen Sensor + TWC
	Air injection	Pump or pulse	Not Applicable
		Driven by	"
		Air distribution (head, manifold, etc.,)	"
		Point of entry	"
	Exhaust Gas Recirculation	Type (controlled flow, open orifice, other)	Exhaust Back Pressure
		Exhaust source	Exhaust Manifold
		Point of exh.inj. (spacer, carb., manifold, other)	Intake Manifold
	Catalytic Converter	Type	3-Way
		Number of	1
		Location(s)	Forward Under Floor Area
		Volume L (cu.in)	1.3
		Substrate type	Monolith
		Noble metal type	Platinum (Pt), Rhodium (Rh)
Crankcase Emission Control	Type (ventilates to atmosphere, induction system, other)		Sealed
	Energy source (manifold vacuum, carburetor, other)		Manifold Vacuum
	Discharges to (intake manifold, other)		Intake Manifold
	Air inlet (breather cap, other)		Throttle Body
Evaporative Emission Control	Vapor vented to (crankcase, canister, other)	Fuel tank	Canister
		Carburetor	-
	Vapor storage provision		Canister
Electronic System	Closed loop (yes/no)		Yes
	Open loop (yes/no)		No

*FED: One Oxygen Sensor CAL: Two Oxygen Sensors

Engine - Exhaust System

Type (single, single with cross-over, dual, other)		Semi-Dual
Muffler no. & type (reverse flow, straight thru, separate resonator) Material & Mass kg (weight lbs.)		1, Straight Flow 1, Reverse Flow
Resonator no. & type		-
Exhaust pipe	Branch o.d., wall thickness	42.7/1.5 mm (1.68/.059 in.)
	Main o.d., wall thickness	48.6/1.5 mm (1.91/.059 in.)
	Matl. & Mass kg (wght.lbs.)	Stainless Steel, 1.1 (2.43)
Inter-mediate pipe	o.d. & wall thickness	48.6/1.5 mm (1.91/.059 in.)
	Matl. & Mass kg (wght.lbs.)	Stainless Steel, 2.8 (6.17)
Tail pipe	o.d. & wall thickness	48.6/1.5 mm (1.91/.059 in.) / 35.0/1.2 mm (1.38/.047 in.)
	Matl. & Mass kg (wght.lbs.)	Stainless Steel, 0.6 (1.32) / Stainless Steel 0.5 (1.10)

MVMA Specifications

Vehicle Line Geo PRIZM
 Model Year 1992 Issued 9-91 Revised(*) _____

METRIC (U.S. Customary)

Engine Description	1.6 LITER L4 (97 CID)
Engine Code	MULTI-PORT FUEL INJECTION RPO L01

○ Transmissions/Transaxle (Std., Opt., N.A.)

Manual 4-speed (manufacturer/country)	
Manual 5-speed (manufacturer/country)	
Manual 6-speed (manufacturer/country)	
Automatic (manufacturer/country)	Toyota, Japan
Auto. overdrive (manufacturer/country)	Not Applicable

Manual Transmission/Transaxle

Number of forward speeds		5
○ Gear ratios	1st	3.454
	2nd	1.904
	3rd	1.310
	4th	0.969
	5th	0.815
	6th	
	Reverse	3.250
Synchronous meshing (specify gears)		All Forward Gears
Shift lever location		Floor
Trans. case mat'l. & mass kg (lbs)*		
Lubricant	Capacity L (pt.)	2.6
	Type recommended	Multi Purpose API GL-4

Clutch (Manual Transmission)

Clutch manufacturer		AISIN
Clutch type (dry, wet; single, multiple disc)		Dry, Single
Linkage (hyd., cable, rod, lever, other)		Hydraulic
Max. pedal effort (nom. spring load) N (lbs.)	Depressed	
	Released	
Assist (spring, power/percent, nominal)		No Adoption
Type pressure plate springs		Diaphragm
Total spring load (nominal) N (lbs.)		3920 N
Clutch facing	Facing mfr. & mat'l. coding	NISSHIN SPINNING, 31256-12090
	Facing mat'l. & construction	Semi-Mold
	Rivets per facing	16
	Outside x inside dia. (nom.)	200 x 140 mm (7.87 X 5.51 in.)
	Total eff. area sq cm (sq in)	180
	Thickness (pressure plate side/fly wheel side)	3.5 mm (.138 in.)
	Rivet depth (pressure plate side/fly wheel side)	4 mm (.157 in.)
	Engagement cushion method	Cushion Spring
Release bearing type & method lub.		Single Row Ball Bearing, Sealed Grease
Torsional damping method, springs, hysteresis		Rubber

* Includes shift linkage, lubricant, and clutch housing. If other specify.

MVMA Specifications

Vehicle Line Geo PRIZM
 Model Year 1992 Issued 9-91 Revised(*)

METRIC (U.S. Customary)

Engine Description
 Engine Code

1.6 LITER L4 (97 CID)
 MULTI-PORT FUEL INJECTION RPO LW0

○ Transmissions/Transaxle (Std., Opt., N.A.)

Manual 4-speed (manufacturer/country)	
Manual 5-speed (manufacturer/country)	
Manual 6-speed (manufacturer/country)	
Automatic (manufacturer/country)	
Auto. overdrive (manufacturer/country)	AISIN AW, Japan

Manual Transmission/Transaxle

Number of forward speeds		5
○ Gear ratios	1st	3.166
	2nd	1.904
	3rd	1.310
	4th	0.969
	5th	0.815
	6th	
	Reverse	3.250
Synchronous meshing (specify gears)		All Forward Gears
Shift lever location		Floor
Trans. case mat'l. & mass kg (lbs)*		
Lubricant	Capacity L (pt.)	2.6
	Type recommended	Multi Purpose API GL-4

Clutch (Manual Transmission)

Clutch manufacturer		AISIN
Clutch type (dry, wet; single, multiple disc)		Dry, Single
Linkage (hyd., cable, rod, lever, other)		Hydraulic
Max. pedal effort (nom. spring load) N (lbs.)	Depressed	
	Released	
Assist (spring, power/percent, nominal)		No Adoption
Type pressure plate springs		Diaphragm
Total spring load (nominal) N (lbs.)		4410 N
Clutch facing	Facing mfr. & matl. coding	AISIN CHEMICAL, 31256-17020
	Facing matl. & construction	Semi-Mold
	Rivets per facing	16
	Outside x inside dia. (nom.)	212 x 150 mm (8.35 X 5.91 in.)
	Total eff. area sq cm (sq in)	176
	Thickness (pressure plate side/fly wheel side)	3.5 mm (.138 in.)
	Rivet depth (pressure plate side/fly wheel side)	4 mm (.157 in.)
Engagement cushion method		Cushion Spring
Release bearing type & method lub.		Single Row Ball Bearing, Sealed Grease
Torsional damping method, springs, hysteresis		Rubber

* Includes shift linkage, lubricant, and clutch housing. If other specify.

MVMA Specifications

Vehicle Line Geo PRIZM
 Model Year 1992 Issued 9-91 Revised(*) _____

METRIC (U.S. Customary)

Engine Description **1.6 LITER L4 (97 CID)**
 Engine Code **MULTI-PORT FUEL INJECTION RPO L01**

Automatic Transmission/Transaxle

Trade Name		A131L
Type and special features (describe)		Hydraulic Controlled Planetary Gear
Gear selector	Location (column, floor, other)	Floor
	Ltr./No. designation (e.g. PRND21)	P-R-N-D-2-L
	Shift interlock (yes, no, describe)	Yes
Gear ratios	1st	2.810
	2nd	1.549
	3rd	1.000
	4th	-
	5th	
	6th	
	Reverse	2.296
Max. upshift speed - drive range km/h (mph)		1 - 2 : 61 2 - 3 : 110
Max. kickdown speed - drive range km/h (mph)		2 - 1 : 43 3 - 2 : 106
Min. overdrive speed km/h (mph)		-
Torque converter	Number of elements	3
	Max. ratio at stall	2.3
	Type of cooling (air, liquid)	Water-Cooled
	Nominal diameter	230 mm (9.05 in.)
	Capacity factor "K" ²	-
Lubricant	Capacity (refill L(pt.))	5.5
	Type recommended	ATF Dexron II
Oil cooler (std., opt., N.A., internal, external, air, liquid)		Standard (Water-Cooled)
Trans. mass kg (lbs) & case matl. **		Aluminum Die Cast

All Wheel / 4 Wheel Drive (NOT APPLICABLE)

Desc. & type (part-time, full-time, 2/4 shift while moving, mech., elect., chain/gear, etc.)		
Transfer case	Manufacturer and model	
	Type and location	
Low-range gear ratio		
System disconnect (describe)		
Center differential	Type (bevel, planetary, w or w/o viscous bias, torsen, etc.)	
	Torque split(% frt/rear)	

* Input speed / square root of torque.
 ** Dry weight including torque converter. If other, specify.

MVMA Specifications

Vehicle Line Geo PRIZM
 Model Year 1992 Issued 9-91 Revised(*)

METRIC (U.S. Customary)

Engine Description
 Engine Code

1.6 LITER L4 (97 CID)
 MULTI-PORT FUEL INJECTION RPO LW0

Automatic Transmission/Transaxle

Trade Name		A240E
Type and special features (describe)		Electronic Controlled Planetary Gear
Gear selector	Location (column, floor, other)	Floor
	Ltr./No. designation (e.g. PRND21)	P-R-N-D-2-L
	Shift interlock (yes, no, describe)	Yes
Gear ratios	1st	3.643
	2nd	2.008
	3rd	1.296
	4th	0.892
	5th	
	6th	
Reverse		2.977
Max. upshift speed - drive range km/h (mph)		*1 - 2 : 51/63 2 - 3 : 99/114
Max. kickdown speed - drive range km/h (mph)		2 - 1 : 46/46 3 - 2 : 92/107
Min. overdrive speed km/h (mph)		33
Torque converter	Number of elements	3
	Max. ratio at stall	2.3
	Type of cooling (air, liquid)	Water-Cooled
	Nominal diameter	230 mm (9.05 in.)
	Capacity factor "K"	-
Lubricant	Capacity (refill L(pt.))	7.2
	Type recommended	ATF Dexron II
Oil cooler (std., opt., N.A., internal, external, air, liquid)		Standard (Water-Cooled)
Trans. mass [kg(lbs)] & case matl.**		Aluminum Die Cast * Normal Pattern/Power Pattern
All Wheel / 4 Wheel Drive		(NOT APPLICABLE)
Desc. & type (part-time, full-time, 2/4 shift while moving, mech., elect., chain/gear, etc.)		
Transfer case	Manufacturer and model	
	Type and location	
Low-range gear ratio		
System disconnect (describe)		
Center differential	Type (bevel, planetary, w or w/o viscous bias, torsen, etc.)	
	Torque split(% frt/rear)	

* Input speed / square root of torque.
 ** Dry weight including torque converter. If other, specify.

MVMA Specifications

Vehicle Line Geo PRIZM
 Model Year 1992 Issued 9-81 Revised(*)

METRIC (U.S. Customary)

Engine Description	1.6 LITER L4 (97 CID)
Engine Code	MULTI-PORT FUEL INJECTION RPO L01

Axle Ratio and Tooth Combinations (See 'Power Teams' for axle ratio usage)

Effec. final drv. ratio (or overall top gear ratio)	M/T: 3.72 A/T: 3.53	
Trnsfr ratio and method(chain,gear,etc)		
Front drive unit	Ring gear o.d.	-
	No. of teeth	Pinion M/T: 18 A/T: 19
		Ring gear M/T: 67 A/T: 67

Front Drive Unit

Description (integral to trans., etc.)	Integral To Transmission
Limited slip differential (type)	-
Drive pinion	Type Helical Gear
	Offset -
No. of differential pinions	2
Pinion/differential	Adjustment (shim, etc.) -
	Bearing adjustment
Driving wheel bearing (type)	Double Row, Angular Contact Ball
Lubricant	Capacity L (pt.) 1.4
	Type recommended ATF Dexron II

Axle Shafts - Front Wheel Drive

Manufacturer and number used	2	
Type (straight, solid bar, tubular, etc.)	Left Solid Bar	
	Right Solid Bar	
Outer diam. x length* x wall thickness	Manual transaxle	Left 23.8 x 338 mm (.94 x 13.31 in.)
		Right 23.8 x 633 mm (.94 x 24.92 in.)
	Automatic transaxle	Left 23.8 x 338 mm (.94 x 13.31 in.)
		Right 23.8 x 633 mm (.94 x 24.92 in.)
	Optional transaxle	Left -
		Right -
Slip yoke	Type -	
	Number of teeth -	
	Spine o.d. -	
Universal joints	Make and mfg. no.	Inner Saginaw, 43403 - 01030
		Outer Saginaw, 43405 - 01030
	Number used 4	
	Type, size, plunge	Inner Tripot (Plunging)
		Outer Rzeppa (Fixed)
	Attach (u-bolt, clamp, etc.)	Snap Ring
Bearing	Type (plain, anti-friction) -	
	Lubrication (fitting, prepack) -	
Drive taken through (torque tube, arms or springs)	MacPherson Strut	
Torque taken through (torque tube, arms or springs)	Engine Mounting System	

* Centerline to centerline of universal joints, or to centerline of attachment.

MVMA Specifications

Vehicle Line Geo PRIZM
 Model Year 1992 Issued 9-91 Revised(*)

METRIC (U.S. Customary)

Engine Description	1.6 LITER L4 (97 CID)
Engine Code	MULTI-PORT FUEL INJECTION RPO LW0

Axle Ratio and Tooth Combinations (See 'Power Teams' for axle ratio usage)

Effec. final drv. ratio (or overall top gear ratio)		M/T: 4.31 A/T: 2.96
Trnsfr ratio and method(chain,gear,etc)		
Front drive unit	Ring gear o.d.	- -
	No. of teeth	Pinion M/T: 16 A/T: 27
		Ring gear M/T: 69 A/T: 80

Front Drive Unit

Description (integral to trans., etc.)		Integral To Transmission
Limited slip differential (type)		-
Drive pinion	Type	Helical Gear
	Offset	-
No. of differential pinions		2
Pinion/differential	Adjustment (shim, etc.)	-
	Bearing adjustment	
Driving wheel bearing (type)		Double Row, Angular Contact Ball
Lubricant	Capacity L (pt.)	1.4 Integral To Transmission
	Type recommended	ATF Dexron II

Axle Shafts - Front Wheel Drive

Manufacturer and number used		2	
Type (straight, solid bar, tubular, etc.)	Left	Solid Bar	
	Right	Solid Bar	
Outer diam. x length* x wall thickness	Manual transaxle	Left	22.8 x 340.1 mm
		Right	26.0 x 655.5 mm
	Automatic transaxle	Left	22.8 x 340.1 mm
		Right	26.0 x 655.5 mm
	Optional transaxle	Left	-
		Right	-
Slip yoke	Type	-	
	Number of teeth	-	
	Spline o.d.	-	
Universal joints	Make and mfg. no.	Inner	TMC 43403 - 12040
		Outer	TMC 43405 - 32014
	Number used		4
	Type, size, plunge	Inner	Tripot (Plunging)
		Outer	Rzeppa (Fixed)
	Attach (u-bolt, clamp, etc.)		Snap Ring
Bearing	Type (plain, anti-friction)		
	Lubrication (fitting, prepack)		
Drive taken through (torque tube, arms or springs)		MacPherson Strut	
Torque taken through (torque tube, arms or springs)		Engine Mounting System	

* Centerline to centerline of universal joints, or to centerline of attachment.

MVMA Specifications

METRIC (U.S. Customary)

Vehicle Line Geo PRIZM
 Model Year 1992 Issued 9-91 Revised(*) _____

Model Code/Description And/Or
 Engine Code/Description

PRIZM	PRIZM GSI
-------	-----------

Suspension - General Including Electronic Controls

Car leveling	Std./opt./not avail.	Not Available	
	Manual/automatic control		
	Type (air/hydraulic)		
	Primary/assist spring		
	Rear only/4 wheel leveling		
	Single/dual rate spring		
	Single/dual ride heights		
	Provision for jacking		
Shock absorber damping controls	Standard/option/not avail.	Not Available	
	Manual/automatic control		
	Number of damping rates		
	Type of actuation (manual/electric motor/air, etc.)		
	s e n s o r s	Lateral acceleration	
		Deceleration	
Acceleration			
Road surface			
Shock absorber (front & rear)	Type	Twin Tube	
	Make	DELCO/KAYABA TOYOTA/KAYABA	
	Piston diameter	Front: 32.0 mm (1.26 in.); Rear: 30.2 mm (1.19 in.)	
	Rod diameter	Front: 20.0 mm (.79 in.); Rear: 20.0 mm (.79 in.)	

Suspension - Front

Type and description		MacPherson Strut		
Travel	Full jounce (define load condition)			
	Full rebound	85.0 mm (3.35 in.)	82.0 mm (3.23 in.)	
O Spring	Type (coil, leaf, other & matl)	Coil SU 7NV or SU S7		
	Insulators (type & matl)	Upper & Lower, Rubber		
	Size (Leaf: length & width; Coil: design height & i.d.; Bar: length & diameter)			
	Spring rate N/mm (lb./in.)	19.6 (173.5) - Notchback, 22.5 (199.2) - Hatchback	19.6 (173.5)	
	Rate @ wheel N/mm (lb./in.)	19.6 (173.5) - Notchback, 22.5 (199.2) - Hatchback	19.6 (173.5)	
O Stabilizer	Type (link, linkless, frmless)	Not Available	Link	
	Material & O.D. bar/tube, wall thickness			

Suspension - Rear

Type and description		MacPherson Strut		
Travel	Full jounce (define load condition)			
	Full rebound	95.0 mm (3.74 in.)	83.0mm (3.27 in.)	
O Spring	Type (coil, leaf, other & matl)	Coil SUP 7		
	Size (Leaf: length & width; Coil: design height & i.d.; Bar: length & diameter)			
	Spring rate N/mm (lb./in.)	17.6 (155.8)	19.6 (173.5)	
	Rate @ wheel N/mm (lb./in.)	17.6 (155.8)	19.6 (173.5)	
	Insulators (type & material)	Upper & Lower Rubber		
	If leaf	No. of leaves	-	
Shackle (comp or tens)		-		
O Stabilizer	Type (link, linkless, frmless)	Link		
	Material & O.D. bar/tube, wall thickness			
Track bar (type)				

MVMA Specifications
METRIC (U.S. Customary)
SUPPLEMENTAL PAGE

Vehicle Line Geo PRIZM
 Model Year 1992 Issued 9-91 Revised(*) _____

(1) Geo PRIZM

BODYSTYLE	TRANSAXLE	RH		LH	
		W/O A/C	W/AC	W/O A/C	W/AC
Notchback	Manual	348.0 x 127.7	355.5 x 127.6	355.5 x 127.6	363.0 x 127.5
Notchback	Auto	355.5 x 127.6	363.0 x 127.5	363.0 x 127.5	370.5 x 127.3

(2) Geo PRIZM GSI

		RH		LH	
		W/O A/C	W/AC	W/O A/C	W/AC
All	Man	355.5 x 127.6	363.0 x 127.5	363.0 x 127.5	370.5 x 127.3
All	Auto	370.5 x 127.3	378.0 x 127.2	378.0 x 127.2	385.5 x 127.4

MVMA Specifications

Vehicle Line Geo PRIZM
 Model Year 1992 Issued 9-91 Revised(*)

METRIC (U.S. Customary)

Model Code/Description And/Or

PRIZM

PRIZM GSi

Engine Code/Description

Brakes - Service

Description					
Manufacturer and brake type (std., opt., n.a.)	Front (disc or drum)	Disc, Standard			
	Rear (disc or drum)	Drum, Standard	Disc, Standard		
Valving type(prop, delay, metering, other)		Proportioning			
Power brake (std., opt., n.a.)		Standard			
Booster type(rmt, intgrl, vac., hyd., etc.)		Direct Vacuum			
Vacuum	Source (inline, pump, etc.)	Not Available			
	Reservoir (volume cu. in.)	"			
	Pump-type	"			
Traction Control	Operational speed range	"			
	Type (engine or brake intervention)				
Antilock device	Front/rear (std., opt., n.a.)	"			
	Manufacturer	"			
	Type (electronic, mech.)	"			
	Number sensors or circuits	"			
	No. antilock hyd. circuits	"			
	Integral or add-on system	"			
	Yaw control (yes, no)	"			
Hydraulic power source		"			
Effective area sq. cm. (sq. in.)*		164/232	164/132		
Gross Lng area sq cm (sq in)** (F/R)		164/232	164/132		
Swept area sq cm (sq in)*** (F/R)					
Rotor	Outer working diameter	F/R 238 mm/---	258 mm/242 mm		
	Inner working diameter	F/R 142 mm/---	162 mm/166 mm		
	Thickness	F/R 18.0 mm/---	22 mm/9 mm		
	Matl & type (vented/sld)	F/R Cast Iron Vented/---	Cast Iron Vented/Cast Iron Solid		
Drum	Diameter & width	F/R ---/200.0 mm	---/---		
	Type and material	F/R ---/Cast Iron	---/---		
Wheel cylinder bore		51.1 mm (2.01 in.)/17.46 mm (.69 in.)			
Master cylinder	Bore/stroke	F/R 20.64 mm/14.0 + 14.0 mm	22.22 mm/14.0 + 14.0 mm		
Pedal arc ratio		4.15			
Line pressure at 445 N (100 lb.) pedal load kPa (psi)		12895	11126		
Lining clearance		F/R Self-Adjusting			
Brake lining	Front wheel	Bonded or riveted		Bonded	
		Rivet size			
		Manufacturer		Bendix, Nisshinbo, Akebono, Aisin, Sumitomo	
		Lining code ****			
		Material		Resin Molded	
		***	Pri. or out-brd	104 x 42 x 10 mm (4.09 x 1.65 x .394 in.)	
		Size	Sec. or in-brd	104 x 42 x 10 mm (4.09 x 1.65 x .394 in.)	
	Shoe thcknss (no lng)		5.0 mm (.039 in.)		
	Rear wheel	Bonded or riveted		Bonded	
		Manufacturer		Nisshinbo, Akebono	
		Lining code ****			
		Material		Resin Molded	
		***	Pri. or out-brd	192 x 30 x 4 mm (7.56 x 1.18 x .157 in.)	95 x 34 x 10mm(3.74 x 1.34 x .394 in.)
		Size	Sec. or in-brd	192 x 30 x 4 mm (7.56 x 1.18 x .157 in.)	95 x 34 x 10mm(3.74 x 1.34 x .394 in.)
Shoe thcknss (no lng)		1.6 mm (.063 in.)	5.5 mm (.216 in.)		

* Excludes rivet holes, grooves, chamfers, etc. **Includes rivet holes, grooves, chamfers, etc.
 *** Total swept area for four brakes. (Drum brake: Widest lining contact width for each brake x its contact circum.)
 (Disc brake: Square of Outer Working Dia. - Square of inner Working Dia. X Pi/2 for each brake.)
 **** Size for drum brakes includes length x width x thickness.
 ***** Manufacturer I.D., catalog for formulation designation and coefficient of friction classification.

MVMA Specifications

Vehicle Line Geo PRIZM
 Model Year 1992 Issued 9-91 Revised(*)

METRIC (U.S. Customary)

Model Code/Description And/Or
 Engine Code/Description

PRIZM	PRIZM GSI
-------	-----------

Tires And Wheels (Standard)

Tires	Size (load range, ply)		P175/70R13	P185/60HR14	
	Type (bias, radial, etc.)		Radial		
	Inflation pressure (cold) for recommended max. vehicle load	Front kPa (psi)	200	221	
		Rear kPa (psi)	200	221	
	Rev/mile-at 70 km/h(45mph)		927	925	
Wheels	Type & material		Steel	Aluminum	
	Rim (size & flange type)		13 x 5.0 J	14 x 5.5 JJ	
	Wheel offset		45.0 mm (1.77 in.)	39.0 mm (1.53)	
	Attachment	Type(bolt,stud)	Nut		
		Circle diameter	100.0 mm (3.94 in.)		
Number & size		4, M12 x 1.5			
Spare	Tire and wheel		T115/70D14 4T x 14		
	Storage position & location (describe)		Luggage Compartment		

Tires And Wheels (Optional)

Tire size (load range, ply)	P155/80R13
Type (bias, radial, steel, nylon, etc.)	
Wheel (type & material)	
Rim (size, flange type and offset)	
Tire size (load range, ply)	
Type (bias, radial, steel, nylon, etc.)	
Wheel (type & material)	
Rim (size, flange type and offset)	
Tire size (load range, ply)	
Type (bias, radial, steel, nylon, etc.)	
Wheel (type & material)	
Rim (size, flange type and offset)	
Tire size (load range, ply)	
Type (bias, radial, steel, nylon, etc.)	
Wheel (type & material)	
Rim (size, flange type and offset)	
Spare tire and wheel size	
(If configuration is different than road tire or wheel, describe optional spare tire and/or wheel location & storage position)	

Brakes - Parking

Type of control	Hand Operate Type	
Location of control	Center Floor	
Operates on	Rear Brake	
If separate from service brakes	Type(internal or external)	--
	Drum diameter	--
	Lining size (length x width x thickness)	--

MVMA Specifications

Vehicle Line Geo PRIZM
 Model Year 1992 Issued 9-91 Revised(*)

METRIC (U.S. Customary)

Model Code/Description And/OR
 Engine Code/Description

PRIZM	PRIZM GSi
-------	-----------

Steering

Manual (std., opt., n.a.)		Standard	Not Applicable	
Power (std., opt., n.a.)		Optional	Standard	
O Speed-sensitive (std., opt., n.a.)				
O 4-wheel steering (std., opt., n.a.)				
Adjustable steering wheel/ column (tilt, telescope, other)	Type	Tilt		
	Manufacturer	Toyota Motor Corporation		
	(std., opt., n.a.)	Optional	Standard	
Wheel diameter ** (W9) SAE J1100	Manual	380 mm (14.96 in.)	384 mm (15.12 in.)	
	Power	380 mm (14.96 in.)	384 mm (15.12 in.)	
Turning diameter m (ft.)	Out-side front	Wall to wall (l. & r.)	10.6 (10.8) () :PS	
		Curb to curb (l. & r.)	9.6 (9.8)	
	In-side rear	Wall to wall (l. & r.)	5.2 (5.4)	
		Curb to curb (l. & r.)	5.4 (5.6)	
Scrub Radius *		0.6	7.0	
Manual	Gear	Type	R & P	
		Manufacturer	Toyota Motor Corporation	
		Ratios	Overall	
	No. wheel turns(stop to stop)		24.1	
Power	Type (coaxial, elec. hyd., etc.)		Integral	
	Manufacturer		Toyota Motor Corporation	
	Gear	Type	Rack And Pinion	
		Ratios	Gear	
			Overall	19.1
	Pump (drive)		V-Ribbed Belt	
No. wheel turns(stop to stop)		3.4		
Linkage	Type		Ackermann	
	Location (front or rear of wheels, other)		Rear Of Wheels	
	Tie Rods (one or two)		2	
Steering axis	Inclination at camber (deg.)		12 deg. 40' *1 12 deg. 45' *2 12 deg. 50'	
	Bear-ings (type)	Upper	Ball Bearing	
		Lower	Ball Joint	
		Thrust	-	
Steering spindle/knuckle & joint type				

* The horizontal distance in the front elevation between wheel centerline and kingpin (ball joint) axis at ground.
 ** See Page 22.

*1: AT *2: MT

MVMA Specifications

METRIC (U.S. Customary)

Vehicle Line Geo Prizm
 Model Year 1992 Issued 9-91 Revised(*) _____

Model Code/Description And/Or
 Engine Code/Description

Geo PRIZM	Geo PRIZM GSi
A/T	M/T

Wheel Alignment

Wheel Location	Service	Parameter	Geo PRIZM	Geo PRIZM GSi
Front wheel at curb mass (wt.)	Service checking	Caster (deg.)	1 20' (+/-) 45'	1 25' (+/-) 45'
		Camber (deg.)	-0 10' (+/-) 45'	-0 15' (+/-) 45'
		Toe-in outside track - mm (in.)	1 (+/-) 4	
	Service reset*	Caster (deg.)	1 20' (+/-) 30'	1 25' (+/-) 30'
		Camber (deg.)	-0 10' (+/-) 30'	-0 15' (+/-) 30'
		Toe-in - mm(in.)	1 (+/-) 1	
	Periodic M.V. in-spection	Caster (deg.)	1 20' (+/-) 45'	1 25' (+/-) 45'
		Camber (deg.)	-0 10' (+/-) 45'	-0 15' (+/-) 45'
		Toe-in - mm(in.)	1 (+/-) 4	
Rear wheel at curb mass (wt.)	Service checking	Camber (deg.)	0 35' (+/-) 45'	-0 40' (+/-) 45'
		Toe-in outside track - mm (in.)	4 (+/-) 4	
	Service reset*	Camber (deg.)	-0 35' (+/-) 30'	-0 40' (+/-) 30'
		Toe-in - mm(in.)	4 (+/-) 2	
	Periodic M.V. in-spection	Camber (deg.)	-0 35' (+/-) 45'	-0 40' (+/-) 45'
		Toe-in - mm(in.)	4 (+/-) 4	

* Indicates pre-set, adjustable, trend set or other.

Electrical - Instruments and Equipment

Speedometer	Type (analog, digital, std., opt.)	Analog
	Trip odometer (std., opt., n.a.)	Standard
Head-up display	Std., opt., not avail.	Not Available
	Type - Secondary, Opto-electronic	
	Speedometer	Digital
	Status/warn. indicators - Turn signals, high beam, low fuel, check gauges	
	Brightness control	Day/night mode, adj.
EGR maintenance indicator		
Charge indicator	Type	Not Available
	Warning device (light, audible)	Tell-Tale Warning Light
Temperature indicator	Type	Analog Gauge W/Pointer
	Warning device	Not Available
Oil pressure indicator	Type	Not Available Analog Gauge W/Pointer
	Warning device	Tell-Tale Warning Light Not Available
Fuel indicator	Type	Analog Gauge W/Pointer
	Warning device	Tell-Tale Warning Light
Windshield wiper	Type (standard)	Motor, 2-Step With Mist
	Type (optional)	Motor, 3-Step Variable
	Blade length	500 mm/450mm Dr./Pa.
	Swept area sq cm (sq in)	6340
Windshield washer	Type (standard)	Motor
	Type (optional)	-
	Fluid level indicator	Not Available
Rear window wiper, wiper/washer (std., opt., n.a.)		Notchback: Not Available Hatchback: Optional (Base), Standard (GSi)
Horn	Type	Electric, Disc Type
	Number used	1
Other		

MVMA Specifications

Vehicle Line Geo PRIZM
 Model Year 1992 Issued 9-91 Revised(*)

METRIC (U.S. Customary)

Engine Code/Description	1.6 LITER L4 (97 CID) MULTI-PORT FUEL INJECTION RPO L01
-------------------------	--

Electrical - Supply System

Battery	Manufacturer	Delco Remy	
	Model, std., (opt.)	55D23L	
	Voltage	12	
	Amps at 0 deg F cold crnk	310	
	Minutes-reserve capacity	90	
	Amps/hrs. - 20 hr. rate	60	
	Location	Left Front In Engine Compartment	
Alternator	Manufacturer	NIPPONDENSO CO., LTD.	Delco Remy
	Rating (idle/max. rpm)	70A	70A
	Ratio (alt. crank/rev.)	2.36:1	2.36:1
	Output at idle (rpm, park)	--	--
	Optional (type & rating)	--	--
Regulator	Type	IC Type	

Electrical - Starting System

Motor	Manufacturer	NIPPONDENSO CO., LTD.	
	Current drain deg C (F)	-	
	Power rating kw (hp)	1.4	
Motor drive	Engagement type	Shift Type	
	Pinion engages from (front, rear)	Right	

Electrical - Ignition System

Type	Electronic (std., opt., n.a.)	Standard		
	Other (specify)	Not Applicable		
Coil	Manufacturer	NIPPONDENSO CO., LTD.		
	Model	-		
	Current	Engine stopped-A	0 A	
		Engine idling - A	0.7 A	
Spark plug	Manufacturer	NIPPONDENSO, NGK SPARK PLUG		
	Model	Q16R-U, BCPR5EY		
	Thread (mm)	M14-19.0		
	Tightening torque Newton meters (lb. ft.)	17.7		
	Gap	0.8 mm (.031 in.)		
	Number per cylinder	1		
Distributor	Manufacturer	NIPPONDENSO CO., LTD.		
	Model	-		

Electrical - Suppression

Locations & type	Resistive Cord, Resistive Spark Plug
------------------	---

MVMA Specifications

Vehicle Line Geo PRIZM
 Model Year 1992 Issued 9-91 Revised(*) _____

METRIC (U.S. Customary)

Engine Code/Description

1.6 LITER L4 (97 CID)
 MULTI-PORT FUEL INJECTION RPO LW0

Electrical - Supply System

Battery	Manufacturer	Delco Remy
	Model, std., (opt.)	55D23L
	Voltage	12
	Amps at 0 deg F cold crnk	310
	Minutes-reserve capacity	90
	Amps/hrs. - 20 hr. rate	60
	Location	Left Front In Engine Compartment
Alternator	Manufacturer	NIPPONDENSO CO., LTD.
	Rating (idle/max. rpm)	70A
	Ratio (alt. crank/rev.)	2.36:1
	Output at idle (rpm, park)	
	Optional (type & rating)	
Regulator	Type	IC Type

Electrical - Starting System

Motor	Manufacturer	NIPPONDENSO CO., LTD.
	Current drain deg C (F)	-
	Power rating kw (hp)	1.4
Motor drive	Engagement type	Shift Type
	Pinion engages from (front, rear)	Right

Electrical - Ignition System

Type	Electronic (std, opt, n.a.)	Standard	
	Other (specify)	Not Applicable	
Coil	Manufacturer	NIPPONDENSO CO., LTD.	
	Model	-	
	Current	Engine stopped - A	0 A
		Engine idling - A	0.9 A
Spark plug	Manufacturer	NIPPONDENSO, NGK SPARK PLUG	
	Model	PK20R8 BRP6EP8	
	Thread (mm)	M14-19.0	
	Tightening torque Newton meters (lb. ft.)	17.7	
	Gap	0.8 mm (.031 in.)	
	Number per cylinder	1	
Distributor	Manufacturer	NIPPONDENSO CO., LTD.	
	Model	-	

Electrical - Suppression

Locations & type	Plasma Spray Coating Rotor Resistive Spark Plug Resistive Cord
------------------	--

MVMA Specifications

Vehicle Line Geo PRIZM
 Model Year 1992 Issued 9-91 Revised(*) _____

METRIC (U.S. Customary)

Model Code/Description

ALL

Body

Structure		Monocoque		
Bumper System Front - Rear	Bar Material & Mass	Urethane (Cover)	Mass	
			FR	RR
		5.1 kg	5.1 kg	4.8 kg
	Polyethylene (Absorber)	1.9 kg	2.3 kg	2.3 kg
	Reinforcement Material & Mass	Steel	9.8 kg	11.7 kg
			Sedan	Sedan
Anti-Corrosion Treatment		Adoption Of Galvannealed Steel Sheet Application Of Adhesive & PVC Sealer To The Hemming Area Application of PVC Under Coat CATHODIC ED Stone Guard Coat Full Dipping Pretreatment		

Body - Miscellaneous Information

Type of finish (lacquer, enamel, other)		Acryl
Hood	Material & mass	Steel, 14630 g
	Hinge location (front, rear)	Rear
	Type (counterbalance, prop)	Prop
	Release control (int., ext.)	Internal
Trunk lid	Material & mass	Steel, 8000 g
	Type (counterbalance, other)	Counterbalance
	Internal release control (elec., mech., n.a.)	Mechanical (Optional)
Hatch-back lid	Material & mass	Steel, 13000 g
	Type (counterbalance, other)	Counterbalance
	Internal release control (elec., mech., n.a.)	Mechanical (Optional)
Tailgate	Material & mass	-
	Type (drop, lift, door)	-
	Internal release control (elec., mech., n.a.)	-
Vent window control (crank, friction, pivot, power)	Front	-
	Rear	-
Window regulator type (cable, tape, flex drive, etc.)	Front	Drive
	Rear	Drive
Seat cushion type (e.g., 60/40, bucket, bench wire, foam, etc.)	Front	Panel Frame + Foam Pad
	Rear	Wire Frame + Foam Pad
	3rd seat	-
Seat back type (e.g., 60/40, bucket, bench, wire, foam, etc.)	Front	Pipe Frame + Spring + Foam Pad
	Rear	Wire Frame + Foam Pads
	3rd seat	

○ Frame

Type and description (separate frame, unitized frame, partially-unitized frame)	Monocoque.
---	------------

MVMA Specifications

Vehicle Line Geo PRIZM
 Model Year 1992 issued 9-91 Revised(*)

METRIC (U.S. Customary)

Model Code/Description

ALL

Restraint System

Seating Position			Left	Center	Right
Active	Type & description (lap & shoulder belt, lap belt, etc.)	First seat			
		Second seat	3-Point ELR	2-Point	3-Point ELR
	Standard/optional	Third seat			
Passive	Type & description (air bag, motorized-2-point belt, fixed belt, knee bolster, manual-lap belt)	First seat	Non-Motorized 2-Pt. Belt W/ELR + Lap Belt W/ELR, & Knee Bolster		Non-Motorized 2-Pt. Belt W/ELR + Lap Belt W/ELR, & Knee Bolster
		Second seat			
	Standard/optional	Third seat			

Glass

	SAE Ref No	
Windshield glass exposed surface area sq.cm.(sq.in.)	S1	8729
Side glass exposed surface area sq.cm.(sq.in.) total 2- sides	S2	10641 (Notchback); 12133 (Hatchback)
Backlight glass exposed surface area sq.cm.(sq.in.)	S3	7509 (Notchback); 7680 (Hatchback)
Total glass exposed surface area sq. cm. (sq. in.)	S4	26879 (Notchback); 28542 (Hatchback)
Windshield glass (type)		Laminated Glass
Side glass (type)		Tempered Glass
Backlight glass (type)		Tempered Glass

Headlamps

Description - sealed beam, halogen, replaceable bulb, etc.	Replaceable Bulb
Shape	Aerodynamically Sculptured
Lo-beam type (2A1, 2B1, 2C1, etc.)	Replaceable Bulb Type
Quantity	2
Hi-beam type (1A1, 2A1, 1C1, 2C1, etc.)	Not Applicable
Quantity	Not Applicable

MVMA Specifications

Vehicle Line Geo PRIZM
 Model Year 1992 Issued 9-91 Revised _____

METRIC (U.S. Customary)

Engine Code/Description

o **Climate Control System**

(Information Not Available At this Time)

Air conditioning (std., opt., man., auto.)		
Condenser	Type	
	Eff. face area (sq. mm.)	
	Fins per inch	
Evaporator	Type	
	Eff. face area (sq. mm.)	
	Fins per inch	
Heater Core	Material	
	Eff. face area (sq. mm.)	
	Fins per inch	
Compressor	Type	
	Displacement (cc)	
	Manufacturer	
	A/C pulley ratio	
Accumulator	Type	
	Height (mm.)	
	Diameter (mm.)	
Receiver	Type	
	Height (mm.)	
	Diameter (mm.)	
Refrigerant control (CCOT, TVS, etc.)		
Heater water valve (yes / no)		
Refrigerant (R - 12, R - 134a, etc.)		
Charge level (lbs. - oz.)		
Cold engine lockout switch (yes / no)		
Wide open throttle cutout switch (yes / no)		

MVMA Specifications

Vehicle Line Geo PRIZM
 Model Year 1992 Issued 9-91 Revised(*) _____

METRIC (U.S. Customary)

Model Code/Description

ALL

Convenience Equipment (standard, optional, n.a.)

	Clock (digital, analog)	Digital, Optional
	Compass / thermometer	Not Available
	Console (floor, overhead)	Standard (Floor)
	Defroster, elec. backlight	Electric, Optional
Electronic	Diagnostic monitor (integrated, individual)	Not Available
	Instrument cluster (list instruments)	Not Available
	Keyless entry	"
	Tripminder (avg. spd. fuel)	"
	Voice alert (list items)	"
	Other	"
	Fuel door lock (remote, key, electric)	Standard (Remote)
Lamps	Auto head on/off delay, dimming	Not Available
	Cornering	"
	Courtesy (map, reading)	Optional (With Sunroof)
	Door lock, ignition	Not Available
	Engine compartment	"
	Fog	"
	Glove compartment	"
	Trunk	Optional
	Illuminated entry system (list lamps, activation)	Not Available
Other	"	
Mirrors	Day / night (auto. man.)	Standard (Manual)
	L.H. (remote, pwr., heated)	Standard (Remote)
	R.H.(convex, rmt, pwr, htd)	Convex, Optional
	Visor vanity (RH/LH illum.)	Optional
	Navigation system (describe)	Not Available
	Prkg. brake-auto release (warn. light)	Not Available (Only Warning Light)

MVMA Specifications

Vehicle Line Geo PRIZM
 Model Year 1992 Issued 9-91 Revised(*) _____

METRIC (U.S. Customary)

Model Code/Description

ALL

Convenience Equipment (standard, optional, n.a.)

Power equipment	Deck lid(release, pull down)		Not Available
	Door locks (manual, auto., describe system)		Optional (Manual)
	Seats	2 - 4 - 6 way, etc.	Not Available
		Reclining(R.H., L.H.)	"
		Memory (R.H., L.H., preset, recline)	"
		Support (lumbar, hip, thigh, etc.)	"
		Heated (R.H., L.H., other)	"
	Side windows		Optional
	Vent windows		Not Available
	Rear windows		"
Radio systems	Antenna (location, whip, w/shield, power)		Roof
	Stan.	AM, FM, stereo, tape, compact disc, graphic equalizer, theft deterrent, radio prep package, headphone jacks, etc.	AM/FM MPX ETR Optional (BASE)
	Opt.		AM/FM MPX ETR With Cassette Deck
			AM/FM MPX ETR With Cassette Deck With CD Player
	Speaker (number, location)		4
Roof: open air or fixed (flip-up, sliding, 'T')			Optional (Sliding)
Speed control device			Optional
Speed warn. dev. (light, buzzer, etc.)			Not Available
Tachometer (rpm)			Optional
Telephone system (describe)			Not Available
Theft deterrent system			Steering Lock

Trailer Towing

Towing capable	Yes / No	
Engine/transmission/axle	Std / Opt	
Tow class (I, II, III)*	Std / Opt	
Max. gross trailer wgt. (lbs.)	Std / Opt	
Max. trailer tongue load (lbs.)	Std / Opt	
Towing package available	Yes / No	

* Class I - 2,000 lbs. Class II - 3,500 lbs. Class III - 5,000 lbs.

MVMA Specifications

Vehicle Line Geo PRIZM
 Model Year 1992 Issued 9-91 Revised(*) _____

METRIC (U.S. Customary)

Vehicle Dimensions See Key Sheets for definitions

All dimensions to ground are for comparative purposes only. Dimensions are to be shown for all base body models of each vehicle line. SAE Ref. no. refers to the definition published in SAE Recommended Practice J1100 "Motor Vehicle Dimensions," unless otherwise specified.

Model Code/Description

PRIZM

PRIZM GSI

Width

SAE Ref. No.

	SAE Ref. No.	PRIZM	PRIZM GSI
Tread (front)	W101	1430 (56.3)	1445 (56.9)
Tread (rear)	W102	1410 (55.5)	1425 (56.1)
Vehicle width	W103	1655 (65.2)	
Body width at Sq RP (front)	W117	1615 (63.6)	
Vehicle width (front doors open)	W120	3325 (130.9)	
Vehicle width (rear doors open)	W121	3195 (125.8)	
Tumble-home (deg.)	W122	24	
Outside mirror width	W410	1850 (72.8)	

Length

	SAE Ref. No.	PRIZM	PRIZM GSI
Wheelbase	L101	2430 (95.7)	
Vehicle length	L103	4335 (170.7)	
Overhang (front)	L104	885 (34.8)	
Overhang (rear)	L105	1020 (40.2)	
Upper structure length	L123	2599 (102.3)	(Notchback)
Rear wheel C/L 'X' coordinate	L127	2430 (95.7)	

Height **

	SAE Ref. No.	PRIZM	PRIZM GSI
Passenger distribution (front/rear)	PD1,2,3	2/1	**
Trunk/cargo load		0 kg	**
Vehicle height	H101	1330 (52.4)	
Cowl point to ground	H114	870 (34.2)	
Deck point to ground	H138	835 (36.8)	(Notchback)
Rocker panel-front to ground	H112	180 (7.1)	
Rocker panel-rear to ground	H111	185 (7.3)	
Windshield slope angle (deg.)	H122	59	
Backlight slope angle (deg.)	H121	59 (Notchback)	

Ground Clearance **

	SAE Ref. No.	PRIZM	PRIZM GSI
Front bumper to ground	H102	230 (9.0)	
Rear bumper to ground	H104	270 (10.6)	
Bumper to ground front at curb mass (wt.)	H103	250 (9.8)	240 (9.4)
Bumper to ground rear at curb mass (wt.)	H105	315 (12.4)	305 (12.0)
Angle of approach (deg.)	H106	17.0	
Angle of departure (deg.)	H107	15.5	14.0
Ramp breakover angle (deg.)	H147	12.0	12.5
Axle differential to ground (front/rear)	H153	-	
Min. running ground clearance	H156	140 (5.5)	
Location of min. run. grd. clear.		Center Pipe	

** All Vehicle Height And Ground Clearance Are Made Using EPA Loaded Vehicle Weight, Loading Conditions.

EPA Loaded Vehicle Weight is the Base Vehicle Weight Plus All Coolant and Fluids Necessary For Operation Plus 100% Of The Fuel Capacity, Plus The Weight Of All Options And Accessories Which Weigh Three Pounds Or More And Which Are Sold On At Least 33% Of The Car Line, Plus Two Occupants.

All Linear Dimensions Are In Millimeters (Inches).

MVMA Specifications

Vehicle Line Geo PRIZM
 Model Year 1992 Issued 9-91 Revised(*)

METRIC (U.S. Customary) Vehicle Dimensions

See Key Sheets for Definitions

Model Code/Description

4-DOOR NOTCHBACK

Front Compartment

SAE Ref. No.

SgRP front, 'X' coordinate	L31	1325 (52.2)
Effective head room	H61	972 (38.3) / 942 (37.1) (1)
Max. eff. leg room (accelerator)	L34	1038 (40.9)
SgRP to heel point	H30	268 (10.5)
SgRP to heel point	L53	820 (32.3)
Back angle (deg.)	L40	17
Hip angle (deg.)	L42	86
Knee angle (deg.)	L44	118
Foot angle (deg.)	L48	87
Design H-point front travel	L17	LH 209 (8.2); RH 194 (7.6)
Normal driving & riding seat track trvl.	L23	LH 209 (8.2); RH 194 (7.6)
Shoulder room	W3	1351 (53.2)
Hip room	W5	1261 (49.6)
*** Upper body opening to ground	H50	1225 (48.2) / 1224 (48.2) (2)
Steering wheel maximum diameter*	W9	
Steering wheel angle (deg.)	H18	
Accel. heel pt. to steer. whl. cntr	L11	
Accel. heel pt. to steer. whl. cntr	H17	
Undepressed floor covering thickness	H67	8 (0.3)

Front Compartment Int. Dim. Are Measured With The Seating Ref. Pt.
 (SgRP) mm Forward And mm Upward of Rearmost Position.

Rear Compartment

SgRP point couple distance	L50	720 (28.3)
Effective head room	H63	918 (36.14) / 917 (36.10) (1)
Min. effective leg room	L51	803 (31.6)
SgRP (second to heel)	H31	305 (12.0)
Knee clearance	L48	60 (2.4)
Shoulder room	W4	1339 (52.7)
Hip room	W6	1328 (52.3)
*** Upper body opening to ground	H51	1230 (48.4) / 1229 (48.4) (2)
Back angle (deg.)	L41	27
Hip angle (deg.)	L43	84.5
Knee angle (deg.)	L45	73.5
Foot angle (deg.)	L47	114
Depressed floor covering thickness	H73	8 (0.3)

Luggage Compartment

Usable luggage capacity (L. cu. ft.)	V1	0.34 (12.0)
*** Liftover height	H195	565 (22.2)

Interior Volumes (EPA Classification)

Vehicle class		Subcompact
Interior volume index (cu. ft.)**		94.1
Trunk / cargo index (cu. ft.)		11.2

* See page 14.

** Includes passenger and trunk / cargo index - see definition page 32.

*** EPA Loaded Vehicle Weight, Loading Conditions

All Linear Dimensions Are In Millimeters (Inches).

(1) - Sun Roof (Optional)

(2) - GSi

MVMA Specifications

Vehicle Line Geo PRIZM
 Model Year 1992 Issued 8-91 Revised(*) _____

METRIC (U.S. Customary)

Vehicle Dimensions

See Key Sheets for Definitions

Model Code/Description

4-DOOR NOTCHBACK

Station Wagon / MPV**

- Third Seat

SAE Ref. No. (NOT APPLICABLE)

	SAE Ref. No.
Seat facing direction	SD1
SgRP couple distance	L85
Shoulder room	W85
Hip Room	W86
Effective leg room	L86
Effective head room	H86
SgRP to heel point	H87
Knee clearance	L87
Back angle (deg.)	L88
Hip angle (deg.)	L89
Knee angle (deg.)	L90
Foot angle (deg.)	L91

Station Wagon / MPV** Cargo Space (NOT APPLICABLE)

Cargo length (open front)	L200
Cargo length (open second)	L201
Cargo length (closed front)	L202
Cargo length (closed second)	L203
Cargo length at belt (front)	L204
Cargo length at belt (second)	L205
Cargo width (wheelhouse)	W201
Rear opening width at floor	W203
Opening width at belt	W204
Min. rear opening width above belt	W205
Cargo height	H201
Rear opening height	H202
Tailgate to ground height	H250
Front seat back to load floor height	H197
Cargo volume index cu. m. (cu. ft.)	V2
Hidden cargo vol. index cu. m. (cu. ft.)	V4
Cargo volume index-rear of 2-seat	V10
Cargo volume index**	V6
Cargo width at floor**	W500
Maximum cargo height**	H505

Hatchback - Cargo Space

Cargo length at front seatback height	L208
Cargo length at floor (front)	L209
Cargo length at second seatback height	L210
Cargo length at floor (second)	L211
Front seatback to load floor height	H197
Second seatback to load floor height	H198
Cargo volume index cu. m (cu. ft.)	V3
Hidden cargo vol. index cu. m. (cu. ft.)	V4
Cargo volume index-rear of 2-seat	V11

* EPA Loaded Vehicle Weight, Loading Conditions

** MPV - Multipurpose Vehicle

All Linear Dimensions Are In Millimeters (Inches)

MVMA Specifications

Vehicle Line Geo PRIZM
 Model Year 1992 Issued 9-91 Revised(*) _____

METRIC (U.S. Customary)

Model Code/ Description	ALL MODELS
----------------------------	------------

Vehicle Fiducial Marks

Fiducial Mark Number*	Define Coordinate Location
Front	Center Of Installation Hole For Seat Track Outer Of Seat Track Of Front Floor (Both Sides)
Rear	Center Of Installation Hole On Front Side For Rear Seat Belt Retractor Of Rear Center Floor (Both Sides)

NOTE: Provide
3 of 4
Fiducial Mark
Locations

Front	W21**	W5 + 70.5 mm
	L54**	L19 + 90 mm
	H82**	H10 + 73.5 mm
	H161**	290 mm
***	H163**	260 mm
Rear	W22**	W5 + 4.5 mm
	L55**	L30 + 34 mm
	H82**	350 mm
	H162**	310 mm
	***	H164**

* Reference - SAE Recommended Practice, J182, Motor Vehicle Fiducial Marks.

** Reference - SAE Recommended Practice J1100 - Motor Vehicle Dimensions.

*** EPA Loaded Vehicle Weight, Loading Conditions
All Linear Dimensions Are In Millimeters (inches)

MVMA Specifications
METRIC (U.S. Customary)

Vehicle Line Geo PRIZM
 Model Year 1992 Issued 9-91 Revised(*)

		Optional Equipment Differential Mass (weight)*			
Code	Equipment	MASS, kg. (lb.)			Remarks Restrictions, Requirements
		Front	Rear	Total	
AU3	Power Door Lock	1.6	0.4	2.0 (4.4)	Required W/A31
A31	Power Windows	1.8	4.8	6.6 (14.6)	Requires AU3
CA1	Sun Roof-Power	5.7	8.5	14.2 (31.3)	
C60	Air Conditioning	21	0	21 (46.3)	
K34	Cruise Control	2.8	0	2.8 (6.2)	
MS7	Automatic Transmission	18	0	18 (39.7)	
N33	Tilt Steering Wheel	1.3	0	1.3 (2.9)	
N41	Power Steering	9	0	9 (19.8)	GSI: Standard
UM6	AM/FM Stereo	1.4	0	1.4 (3.1)	
UM6	AM/FM Stereo Radio W/Cassette	1.4	0	1.4 (3.1)	

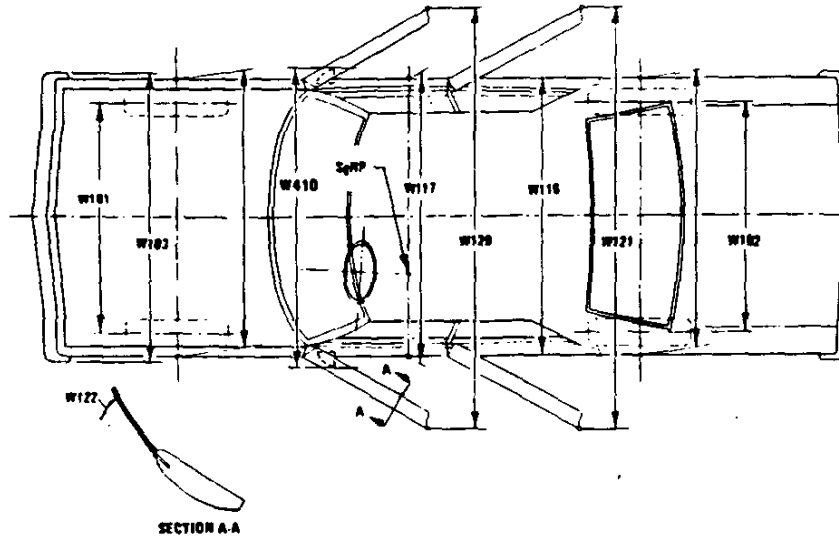
* Also see Engine - General Section for dressed engine mass (weight).

MVMA Specifications

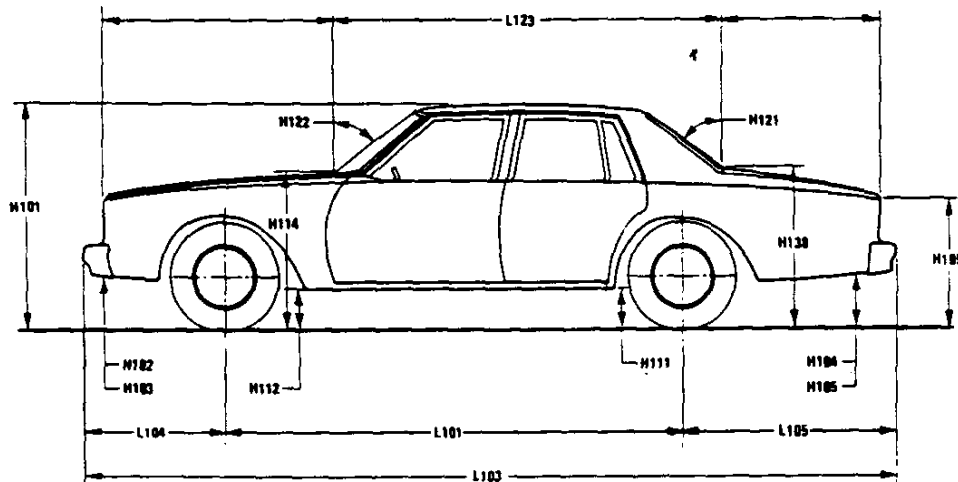
METRIC (U.S. Customary)

Exterior Vehicle And Body Dimensions – Key Sheet

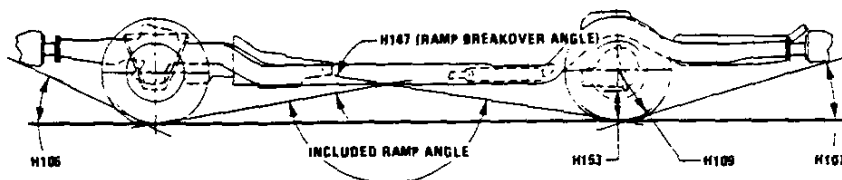
Exterior Width



Exterior Length & Height



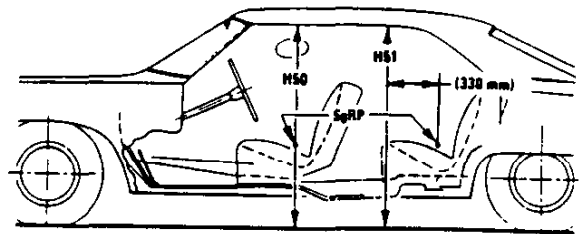
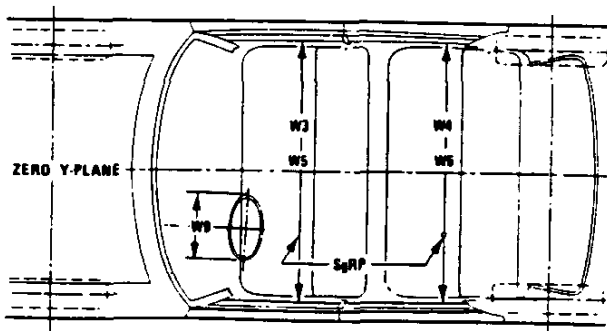
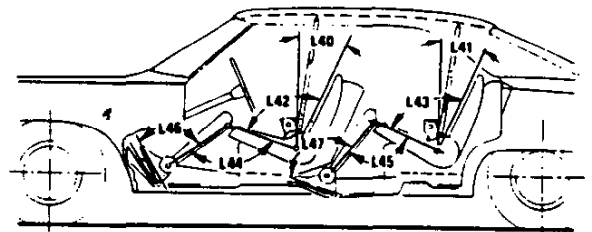
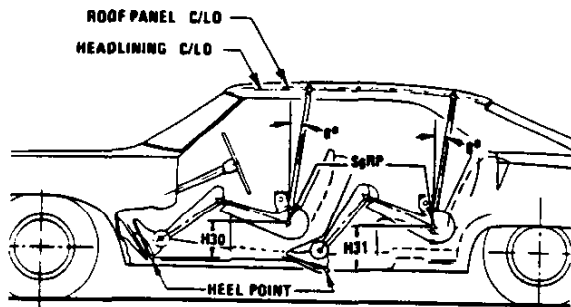
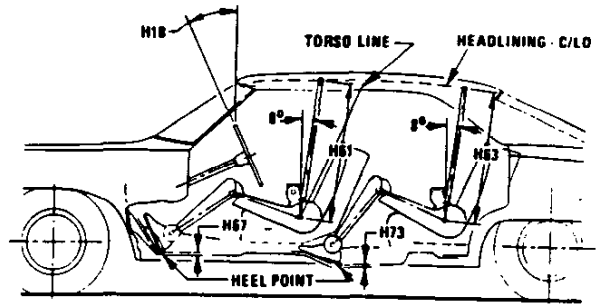
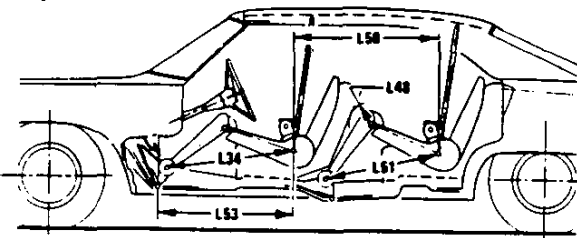
Exterior Ground Clearance



MVMA Specifications Form

METRIC (U.S. Customary)

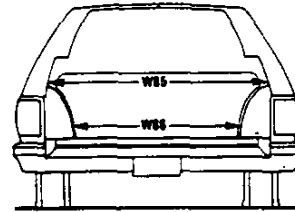
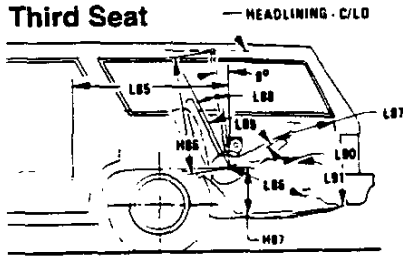
Interior Vehicle And Body Dimensions – Key Sheet



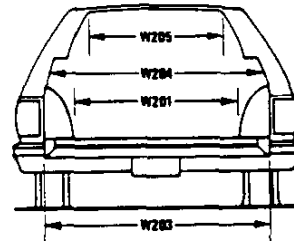
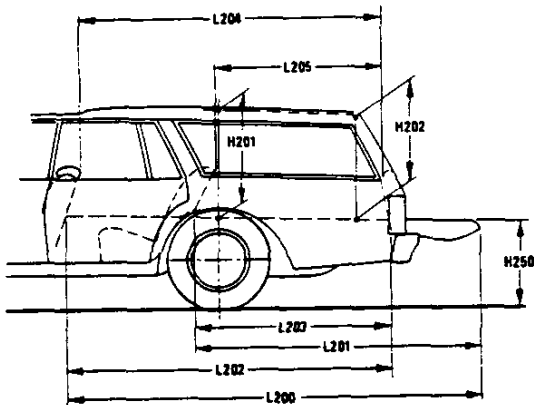
MVMA Specifications
METRIC (U.S. Customary)

Interior Vehicle And Body Dimensions – Key Sheet

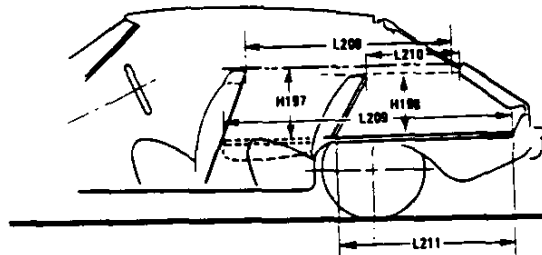
Third Seat



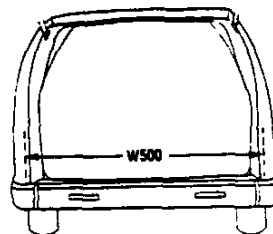
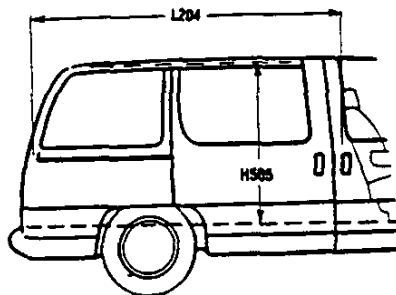
Cargo Space



Station Wagon



Hatchback



∅ Multipurpose Vehicle

MVMA Specifications

METRIC (U.S. Customary)

Exterior Vehicle And Body Dimensions – Key Sheet Dimensions Definitions

Seating Reference Point

SEATING REFERENCE POINT means the manufacturer's design reference point which –

- (a) Establishes the rearmost normal design driving or riding position of each designated seating position in a vehicle;
- (b) Has coordinates established relative to the design vehicle structure;
- (c) Simulates the position of the pivot center of the human torso and thigh; and
- (d) Is the reference point employed to position the two dimensional templates described in SAE Recommended Practice J826, "Devices for Use in Defining and Measuring Vehicle Seating Accommodations."

Width Dimensions

- W101 TREAD – FRONT. The dimension measured between the tire centerlines at the ground.
- W102 TREAD – REAR. The dimension measured between the tire centerlines at the ground. In case of dual wheels, the dimension will be measured to the centerline of tire and wheel assemblies.
- W103 VEHICLE WIDTH. The maximum dimension measured between the widest point on the vehicle, excluding exterior mirrors, flexible mud flaps, marker lamps, but including bumpers, moldings, sheet metal protrusions or dual wheels, if standard equipment.
- W117 BODY WIDTH AT SgRP – FRONT. The dimension measured laterally between the widest points on the body at the SgRP-front, excluding door handles, applied moldings, or appliques.
- W120 VEHICLE WIDTH – FRONT DOORS OPEN. The dimension measured between the widest point on the front doors in maximum hold-open position.
- W121 VEHICLE WIDTH – REAR DOORS OPEN. The dimension measured between the widest point on the rear doors in maximum hold-open position. For vehicles with a rear door on only one side, this dimension is to the zero "Y" plane.
- W122 TUMBLE – HOME. STRAIGHT SIDE GLASS. The angle measured from a vertical to the outside surface of the front door glass at the SgRP "X" plane.
CURVED SIDE GLASS. The angle measured from a vertical to a chord extending from the upper DLO to the lower DLO at the outside surface of the front door glass at the front SgRP "X" plane.
- W410 OUTSIDE MIRROR WIDTH. The dimension between the widest point on the outside mirrors. The standard right and left mirror adjusted for normal driving will be shown unless otherwise noted. When only one outside mirror is standard, the dimension will be to the zero "Y" plane.

Length Dimensions

- L101 WHEELBASE (WB). The dimension measured longitudinally between front and rear wheel centerlines. In case of dual rear axles, the dimension shall be to the midpoint of the centerlines of the rear wheels.
- L103 VEHICLE LENGTH. The maximum dimension measured longitudinally between the foremost point and the rearmost point on the vehicle, including bumper, bumper guards, tow hooks and/or rub strips, if standard equipment.
- L104 OVERHAND – FRONT. The dimension measured longitudinally from the centerline of the front wheels to the foremost point on the vehicle including bumper, bumper guards, tow hooks and/or rub strips, if standard equipment.
- L105 OVERHANG – REAR. The dimension measured longitudinally from the centerline of the rear wheels; or in the case of dual rear axles, the dimension shall be the midpoint of the centerlines of the rear wheels, to the rearmost point on the vehicle including rear bumpers, bumper guards, tow hooks and rub strips, if standard equipment.

- L123 UPPER STRUCTURE LENGTH. The dimension measured longitudinally from the cowl point to the deck point.
- L127 REAR WHEEL CENTERLINE "X" COORDINATE or in the case of dual rear axles, the coordinate shall be the midpoint of the distance between the rear axle centerlines.

Height Dimensions

- H101 VEHICLE HEIGHT. The dimension measured vertically from the highest point on the vehicle body to ground.
- H111 ROCKER PANEL – REAR TO GROUND. The dimension measured vertically from the bottom of the rocker or side quarter panel at the front of the rear wheel opening, excluding flanges, to ground.
- H112 ROCKER PANEL – FRONT TO GROUND. The dimension measured vertically from the foremost point on the bottom of the rocker panels, excluding flanges, to ground.
- H114 COWL POINT TO GROUND. Measured at zero "Y" plane.
- H121 BACKLIGHT SLOPE ANGLE. The angle between the vertical reference line and the surface of backlight at vehicle zero "Y" plane. For curve backlight, the angle is to chord of backlight arc from lower DLO to upper DLO.
- H122 WINDSHIELD SLOPE ANGLE. The angle between the vertical reference line and a chord of the windshield arc running from the lower DLO to the upper DLO at the vehicle zero "Y" plane. In the case of wrap over glass, the angle to be measured will be formed by a chord 457 mm (18.0 in.) long drawn from the lower DLO to the intersecting point on the windshield.
- H138 DECK POINT TO GROUND. Measured at zero "Y" plane.
- H109 STATIC LOAD – TIRE RADIUS – REAR. Specified by the manufacturer in accordance with composite TIRE SECTION STANDARD.

Ground Clearance Dimensions

- H102 FRONT BUMPER TO GROUND. The minimum dimension measured vertically from the lowest point on the front bumper to ground, including bumper guards, if standard equipment.
- H103 FRONT BUMPER TO GROUND – CURB MASS (WT.). Measured in the same manner as H102.
- H104 REAR BUMPER TO GROUND. The minimum dimension measured vertically from the lowest point on the rear bumper to ground, including bumper guards, if standard equipment.
- H105 REAR BUMPER TO GROUND – CURB MASS (WT.). Measured in the same manner as H104.
- H106 ANGLE OF APPROACH. The angle measured between a line tangent to the front tire static loaded radius arc and the initial point of structural interference forward of the front tire to ground. The limiting structural component shall be designated.
- H107 ANGLE OF DEPARTURE. The angle measured between a line tangent to the rear tire static loaded radius arc and the initial point structural interference rearward of the rear tire to ground. The limiting component shall be designated.
- H147 RAMP BREAKOVER ANGLE. The angle measured between two lines tangent to the front and rear tire static loaded radius and intersecting at a point on the underside of the vehicle which defines the largest ramp over which the vehicle can roll.
- H153 REAR AXLE DIFFERENTIAL TO GROUND. The minimum dimension measured from the rear axle differential to ground.
- H156 MINIMUM RUNNING GROUND CLEARANCE. The minimum dimension measured from the sprung vehicle to ground. Specify location.

MVMA Specifications

METRIC (U.S. Customary)

Interior Vehicle And Body Dimensions – Key Sheet Dimensions Definitions

Glass Areas

- S1 Windshield area.
- S2 Side windows area. Includes the front door, rear door, vents, and rear quarter windows on both sides of the vehicle.
- S3 Backlight areas.
- S4 Total area. Total of all areas (S1 + S2 + S3).

Fiducial Mark Dimensions

Fiducial Mark – Number 1

- L54 "X" coordinate.
- W21 "Y" coordinate.
- H81 "Z" coordinate.
- H161 Height "Z" coordinate to ground at curb weight.
- H163 Height "Z" coordinate to ground.

Fiducial Mark – Number 2

- L55 "X" coordinate.
- W22 "Y" coordinate.
- W82 "Z" coordinate.
- H162 Height "Z" coordinate to ground at curb weight.
- H164 Height "Z" coordinate to ground.

Front Compartment Dimensions

- L11 ACCELERATOR HEEL POINT TO STEERING WHEEL CENTER. The dimension measured horizontally from the AHP to the intersection of the steering column centerline and a plane tangent to the upper surface of the steering wheel rim.
- L17 DESIGN H-POINT – FRONT TRAVEL. The dimension measured horizontally between the design H-point – front in the foremost and rearmost seat track positions. (See SAE J1100)
- L23 NORMAL DRIVING AND RIDING SEAT TRACK TRAVEL. The dimension measured horizontally between a point on the design H-point travel line from the SgRP to the displaced point on the design H-point travel line with the seat moved to the foremost seat position, but not to include seat track travel used for purposes other than normal driving and riding positions. (See SAE J1100).
- L31 SgRP – FRONT. "X" COORDINATED.
- L34 MAXIMUM EFFECTIVE LEG ROOM – ACCELERATOR. The dimension measured along a line from the ankle pivot center to the SgRP – front plus 254 mm (10.0 in.) measured with right foot on the undepressed accelerator pedal. For vehicles with SgRP to heel (H30) greater than 18 in., the accelerator pedal may be depressed as specified by the manufacturer. If the accelerator is depressed, the manufacturer shall place foot flat on pedal and note the depression of the pedal.
- L-40 BACK ANGLE – FRONT. The angle measured between a vertical line through the SgRP – front and the torso line. If the seatback is adjustable, use the normal driving and riding position specified by the manufacturer.
- L-42 HIP ANGLE – FRONT. The angle measured between torso line and thigh centerline.
- L44 KNEE ANGLE – FRONT. The angle measured between thigh centerline and lower leg centerline measured on the right leg.
- L46 FOOT ANGLE – FRONT. The angle measured between the lower leg centerline and a line tangent to the ball and heel of the bare foot flesh line measured on the right leg. Ref SAE J826.
- L53 SgRP – FRONT TO HEEL. The dimension measured horizontally from the SgRP – front to the accelerator heel point.
- W3 SHOULDER ROOM – FRONT. The minimum dimension measured laterally between the trimmed surfaces on the "X" plane through the SgRP – front at height between the belt line and 254 mm (10.0 in.) above the SgRP – front, excluding the door assist strap and attaching parts.

- W5 HIP ROOM – FRONT. The minimum dimension measured laterally between the trimmed surfaces on the "X" plane through the SgRP – front within 25 mm (1.0 in.) below and 76 mm (3.0 in.) above the SgRP – front and 76 mm (3.0 in.) fore and aft of the SgRP – front.
- W9 STEERING WHEEL MAXIMUM OUTSIDE DIAMETER. Define if other than round.
- H7 ACCELERATOR HEEL POINT TO THE STEERING WHEEL CENTER. The dimension measured vertically from the AHP – front to the intersection of the steering column centerline to a plane tangent to the upper surface of the steering wheel rim.
- H18 STEERING WHEEL ANGLE. The angle measured from a vertical to the surface plane of the steering wheel.
- H30 SgRP – FRONT TO HEEL. The dimension measured vertically from the SgRP – front to the accelerator heel point.
- H50 UPPER BODY OPENING TO GROUND – FRONT. The dimension measured vertically from the trimmed body opening to the ground on the SgRP – front "X" plane.
- H61 EFFECTIVE HEADROOM – FRONT. The dimension measured along a line 8 deg. rear of vertical from the SgRP – front to the headlining plus 102 mm (4.0 in.).
- H67 FLOOR COVERING THICKNESS – UNDEPRESSED – FRONT. The dimension measured vertically from the surface of the undepressed floor covering to the underbody sheet metal at the accelerator heel point.

Rear Compartment Dimensions

- L-41 BACK ANGLE – SECOND. The angle measured between a vertical line through the SgRP – second and the torso line.
- L43 HIP ANGLE – SECOND. The angle measured between torso line and thigh centerline.
- L45 KNEE ANGLE – SECOND. The angle measured between thigh centerline and lower leg centerline.
- L47 FOOT ANGLE – SECOND. The angle measured between the lower leg centerline and a line tangent to the ball and heel of the three-dimensional devices bare foot flesh line (Reference J826).
- L48 KNEE CLEARANCE – SECOND. The minimum dimension measured from the knee pivot center to the back of the front seatback minus 51 mm (2.0 in.).
- L50 SgRP COUPLE DISTANCE – SECOND. The dimension measured horizontally from the driver SgRP – front to the SgRP – second.
- L51 MINIMUM EFFECTIVE LEG ROOM – SECOND. The dimension measured along a line from the ankle pivot center to the SgRP – second plus 254 mm (10.0 in.).
- W4 SHOULDER ROOM – SECOND. The minimum dimension measured laterally between door or quarter trimmed surfaces on the "X" plane through the SgRP – second at height between 254-406 mm (10.0-16.0 in.) above the SgRP – second, excluding the door assist straps and attaching parts.
- W6 HIP ROOM – SECOND. Measured in the same manner as W5.
- H31 SgRP – SECOND TO HEEL. The dimension measured vertically from the SgRP – second to the two dimensional device heel point on the depressed floor covering.
- H51 UPPER BODY OPENING TO GROUND – SECOND. The dimension measured vertically from the trimmed body opening to the ground on the "X" plane 330 mm (13.0 in.) forward of the SgRP – second.
- H63 EFFECTIVE HEAD ROOM – SECOND. The dimension measured along a line 8 deg. rear of vertical from the SgRP to the headlining, plus 102 mm (4.0 in.).
- H73 FLOOR COVERING – DEPRESSED – SECOND. The dimension measured vertically from the heel point to the underbody sheet metal.

MVMA Specifications

METRIC (U.S. Customary)

Interior Vehicle And Body Dimensions – Key Sheet Dimensions Definitions

Luggage Compartment Dimensions

- V1 USABLE LUGGAGE CAPACITY – Total of volumes of individual pieces of standard luggage set plus H-boxes stowed in the luggage compartment in accordance with the procedure described in paragraph 8.2 of SAE-J1100a.

Interior Volumes (EPA Classification)

The Interior Volume Index is listed for each body style except two seaters. The Interior Volume Index estimates the space in a car. It is based on four measurements – head room, shoulder room, hip room, and leg room – for the front and rear seats, plus trunk capacity.

The Trunk/Cargo Index is an estimate of the size of the trunk/cargo space. In station wagons and hatchbacks it is an estimate of the space behind the second seat.

Station Wagon / MPV – Third Seat Dimensions

- L85 SgRP COUPLE DISTANCE – THIRD. The dimension measured horizontally from the SgRP – second to the SgRP – third.
- L86 EFFECTIVE LEG ROOM – THIRD. The dimension measured along a line from the ankle pivot center to the SgRP – third plus 254 mm (10.0 in.).
- L87 KNEE CLEARANCE – THIRD. The minimum dimension from the knee pivot center to the back of second seatback minus a constant of 51 mm (2.0 in.). With rear-facing third seat, dimension is measured to closure.
- L88 BACK ANGLE – THIRD. Measured in the same manner as L41.
- L89 HIP ANGLE – THIRD. Measured in the same manner as L43.
- L90 KNEE ANGLE – THIRD. Measured in the same manner as L45.
- L91 FOOT ANGLE – THIRD. Measured in the same manner as L47.
- W85 SHOULDER ROOM – THIRD. Measured in the same manner as W4.
- W86 HIP ROOM – THIRD. Measured in the same manner as W5.
- H86 EFFECTIVE HEAD ROOM – THIRD. The dimension, measured along a line 8 deg. from the SgRP – third to the headlining rear of vertical plus a constant of 102 mm (4.0 in.).
- H87 SgRP – THIRD TO HEEL POINT.
- SD1 SEAT FACING DIRECTION – THIRD.

Station Wagon / MPV – Cargo Space Dimensions

- L200 CARGO LENGTH – OPEN – FRONT. The minimum dimension measured longitudinally from the back of the front seatback at the height of the undepressed floor covering to the rearmost point on the undepressed floor covering on the open tailgate or cargo surface if the rear closure is a conventional door type tailgate at the zero "Y" plane.
- L201 CARGO LENGTH – OPEN – SECOND. The dimension measured longitudinally from the back of the second seatback at the height of the undepressed floor covering to the rearmost point on the undepressed floor covering on the open tailgate or cargo floor surface if the rear closure is a conventional door type tailgate, at the zero "Y" plane.

- L202 CARGO LENGTH – CLOSED – FRONT. The minimum dimension measured horizontally from the back of the front seat at the height of the undepressed floor covering to the rearmost point on the undepressed floor covering on the closed tailgate or taildoor for station wagons, trucks and mpv's at the zero "Y" plane.
- L203 CARGO LENGTH – CLOSED – SECOND. The dimension measured horizontally from the back of the second seat at the height of the undepressed floor covering to the rearmost point on the undepressed floor covering on the closed tailgate or taildoor for station wagons, trucks and mpv's at the zero "Y" plane.
- L204 CARGO LENGTH AT BELT – FRONT. The minimum dimension measured horizontally from the back of the front seatback at the seatback top to the foremost normal surface of the closed tailgate or inside surface of the cab backpanel at the height of the belt, on the zero "Y" plane.
- L205 CARGO LENGTH AT BELT – SECOND. The minimum dimension measured horizontally from the back of the second seatback at the seatback top to the foremost normal surface of the closed tailgate at the height of the belt, on the zero "Y" plane.
- W201 CARGO WIDTH – WHEELHOUSE. The minimum dimension measured laterally between the trimmed wheelhousings at floor level. For any vehicle not trimmed, measure to the sheet metal.
- W203 REAR OPENING WIDTH AT FLOOR. The minimum dimension measured laterally between the limiting interferences of the rear opening at floor level.
- W204 REAR OPENING WIDTH AT BELT. The minimum dimension measured laterally between the limiting interferences of the rear opening at belt height or top of pick up box.
- W205 REAR OPENING WIDTH ABOVE BELT. The minimum dimension measured laterally between the limiting interferences of the rear opening above the belt height.
- Ø W500 CARGO WIDTH AT FLOOR. The maximum dimension measured laterally between the limiting interferences at the floor level. This dimension shall include ribs and pillars, but will exclude wheelhouses.
- H197 FRONT SEATBACK TO LOAD FLOOR HEIGHT. The dimension measured vertically from the horizontal tangent to the top of the seatback to the undepressed floor covering.
- H201 CARGO HEIGHT. The dimension measured vertically from the top of the undepressed floor covering to the headlining at the rear wheel "X" coordinate on the zero "Y" plane.
- H202 REAR OPENING HEIGHT. The dimension measured vertically from the top of the undepressed floor covering to the upper trimmed opening on the zero "Y" plane with rear door fully open.
- H250 TAILGATE TO GROUND CURB MASS (WT.). The dimension measured vertically from the top of the undepressed floor covering on the lowered tailgate to ground on the zero "Y" plane.
- Ø H505 MAXIMUM CARGO HEIGHT. The maximum vertical dimension rear of the front seat from the cargo floor to roof bow or headlining at the zero "Y" plane.

MVMA Specifications

METRIC (U.S. Customary)

Interior Vehicle And Body Dimensions – Key Sheet Dimensions Definitions

V2 STATION WAGON

Measured in inches:

$$\frac{W4 \times H201 \times L204}{1728} = \text{ft}^3$$

Measured in mm:

$$\frac{W4 \times H201 \times L204}{10^9} = \text{m}^3 \text{ (cubic meter)}$$

V4 HIDDEN LUGGAGE CAPACITY – REAR OF FRONT SEAT.

The total volumes of individual pieces of one set of standard luggage stowed in any hidden cargo area below the load floor rear of the front seat.

V5 TRUCKS AND MPV'S WITH OPEN AREA.

Measured in inches:

$$\frac{L506 \times W505 \times H503}{1728} = \text{ft}^3$$

Measured in mm:

$$\frac{L506 \times W500 \times H503}{10^9} = \text{m}^3 \text{ (cubic meter)}$$

V6 TRUCKS AND MPV'S WITH CLOSED AREA.

Measured in inches:

$$\frac{L204 \times W500 \times H505}{1728} = \text{ft}^3$$

Measured in mm:

$$\frac{L204 \times W500 \times H505}{10^9} = \text{m}^3 \text{ (cubic meter)}$$

V8 HIDDEN LUGGAGE CAPACITY – REAR OF SECOND SEAT.

The total volume of individual pieces of one set of standard luggage stowed in any hidden cargo area below the load floor rear of the second seat.

V10 STATION WAGON CARGO VOLUME INDEX.

Measured in inches:

$$\frac{H201 \times L205 \times \frac{W4 + W201}{2}}{1728} = \text{ft}^3$$

Measured in mm:

$$\frac{H201 \times L205 \times \frac{W4 + W201}{2}}{10^9} = \text{m}^3 \text{ (cubic meter)}$$

Hatchback – Cargo Space Dimensions

All hatchback cargo dimensions are to be taken with the front seat in full down and rear position, and the rear seat folded down. The hatchback door is in the closed position. (For electronically adjusted seats, see the manufacturer's specifications for Design "H" Point).

L208 CARGO LENGTH AT FRONT SEATBACK HEIGHT. The minimum horizontal dimension from the "X" plane tangent to the rearmost surface of the driver's seatback to the inside limiting interference of the hatchback door on the vehicle zero "Y" plane.

L209 CARGO LENGTH AT FLOOR – FRONT. The minimum horizontal dimension measured at floor level from the rear of the front seatback to the normal limiting interference of the hatchback door on the vehicle zero "Y" plane.

L210 CARGO LENGTH AT SECOND SEATBACK HEIGHT. The minimum dimension measured from the "X" plane tangent to the rearmost surface of second seatback or the load floor which is stowed at least one half of the H198 dimension height above the rear load floor, to the rearmost inside limiting interference on the zero "X" plane.

L211 CARGO LENGTH AT FLOOR – SECOND SEATBACK. The minimum horizontal dimension measured at floor level from the rear of the second seatback or load floor panel to the normal limiting interference of the hatchback door on the vehicle zero "Y" plane.

H197 FRONT SEATBACK TO LOAD HEIGHT. The dimension measured vertically from the horizontal tangent to the top of the seatback to the undepressed floor covering.

H198 SECOND SEATBACK TO LOAD FLOOR HEIGHT: The dimension measured vertically from the second seatback to the undepressed floor covering.

V3 HATCHBACK.

Measured in inches:

$$\frac{\frac{L208 + L209}{2} \times W4 \times H197}{1728} = \text{ft}^3$$

Measured in mm:

$$\frac{\frac{L208 + L209}{2} \times W4 \times H197}{10^9} = \text{m}^3 \text{ (cubic meter)}$$

V4 HIDDEN LUGGAGE CAPACITY – REAR OF FRONT SEAT. The total volumes of individual pieces of one set of standard luggage stowed in any hidden cargo area below the load floor rear of the front seat.

V11 HATCHBACK CARGO VOLUME INDEX. Usable luggage (one (1) stand and luggage set) below floor:

Measured in inches:

$$\frac{\frac{L210 + L211}{2} \times W4 \times H198}{1728} = \text{ft}^3$$

Measured in mm:

$$\frac{\frac{L210 + L211}{2} \times W4 \times H198}{10^9} = \text{m}^3 \text{ (cubic meter)}$$

MVMA Specifications

METRIC (U.S. Customary)

Index

Subject	Page No.	Subject	Page No.
Alternator	16	Passenger Capacity	1
Axle Drive, Front, Rear, All Four	2, 9, 10	Passenger Mass Distribution	26
Axle Shafts	10	Pistons	3
Battery	16	Power Brakes	12
Body and Miscellaneous Information	17	Power, Engine	2
Brakes - Parking Service	12, 13	Power Steering	14
Camber	15	Power Teams	2
Camshaft	3	Propeller Shaft	10
Capacities		Pumps - Fuel	6
Cooling System	5	Water	5
Fuel Tank	6	Radiator - Cap, Hoses, Core	5
Lubricants		Ratios - Axle, Transaxle	2, 9, 10
Engine Crankcase	4	Compression	2
Transmission / Transaxle	8, 9	Steering	14
Rear Axle	10	Transmission / Transaxle	2, 8, 9
Carburetor	2, 6	Rear Axle	2, 10
Caster	15	Regulator - Alternator	16
Climate Control System	19	Restraint System	18
Clutch - Pedal Operated	8	Rims	13
Coil, Ignition	16	Rods - Connecting	4
Connecting Rods	4	Scrub Radius	14
Convenience Equipment	20-21	Seats	17
Cooling System	5	Shock Absorbers, Front & Rear	11
Crankshaft	4	Spark Plugs	16
Cylinders and Cylinder Head	3	Speedometer	15
Diesel Information	4	Springs - Front & Rear Suspension	11
Dimension Definitions		Stabilizer (Sway Bar) - Front & Rear	11
Key Sheet - Exterior	28, 31, 32	Starting System	16
Key Sheet - Interior	29, 30, 32, 33, 34	Steering	14
Electrical System	15, 16	Suppression - Ignition, Radio	16
Emission Controls	7	Suspension - Front & Rear	11
Engine - General		Tail Pipe	7
Bore, Stroke, Type	3	Theft Protection	21
Compression Ratio	2	Thermostat, Cooling	5
Displacement	2, 3	Tires	13
Firing Order, Cylinder Numbering	3	Toe-In	15
General Information, Power & Torque	2	Torque Converter	9
Intake System	4	Torque - Engine	2, 8, 9
Power Teams	2	Trailer Towing	21
Exhaust System	7	Transaxle	9
Equipment Availability, Convenience	20	Transmission - Types	2, 8, 9
Fan, Cooling	5	Transmission - Automatic	2, 9
Filters - Engine Oil, Fuel System	4	Transmission - Manual	2, 8
Four Wheel Drive	10	Transmission - Ratios	2, 8, 9
Frame	17	Tread	22
Front Suspension	11	Trunk Cargo Load	1
Front Wheel Drive Unit	10	Trunk Luggage Capacity	23
Fuel Economy, EPA	1	Turning Diameter	14
Fuel Injection	6	Unitized Construction	18
Fuel System	6	Universal Joints, Propeller Shaft	10
Fuel Tank	6	Valve System	4
Glass	18	Vehicle Dimensions	
Headlamps	18	Width	22
Headroom - Body	23, 24	Length	22
Heights	22	Height	22
Horns	15	Ground Clearance	22
Horsepower - Brake	2	Front Compartment	23
Ignition System	16	Rear Compartment	23
Inflation - Tires	13	Luggage Compartment	23
Interior Volumes	23	Station Wagon - Third Seat	24
Instruments	15	Station Wagon - Cargo Space	24
Legroom	23, 24	Hatchback - Cargo Space	24
Lengths	22	Fiducial Marks	25
Leveling, Suspension	11	Voltage Regulator	16
Lifters, Valve	4	Water Pump	5
Linings - Clutch, Brake	8, 12	Weights	26, 27
Lubrication - Engine, Transmission / Transaxle	4, 8, 9	Wheel Alignment	15
Luggage Compartment	23	Wheelbase	22
Models	1	Wheels & Tires	13
Motor Starting	16	Wheel Spindle	14
Muffler	7	Widths	22
Origin	1	Windshield	18
		Windshield Wiper and Washer	15

