




MANUFACTURERS MOTOR VEHICLE SPECIFICATIONS

METRIC (U.S. Customary)

1993

Manufacturer ISUZU MOTORS LIMITED	Vehicle Line  Geo STORM	
Mailing Address CHEVROLET-PONTIAC-CANADA GROUP ENGINEERING CENTER GENERAL MOTORS CORPORATION 30003 VAN DYKE WARREN, MICHIGAN 48090-9060	Issued NOVEMBER, 1992	Revised

Direct questions concerning these specifications to the manufacturer listed above.

The information contained herein is prepared, distributed by, and is solely the responsibility of the vehicle manufacturing company to whose products it relates. This specification form was developed by the vehicle manufacturing companies under the auspices of the Motor Vehicle Manufacturers Association of the United States, Inc.

The General Specifications herein are those in effect at date of compilation and are subject to change without notice or incurring obligation by the manufacturer.



Motor Vehicle Manufacturers Association
of the United States, Inc.

Blank Forms Provided by Technical Affairs Division

MVMA Specifications

METRIC (U.S. Customary)

Table of Contents

	1	Vehicle Models/Origin	○ Indicates Format Change From Previous Year
○	2	Power Teams	
	3	Engine	
	4	Lubrication System	
	4	Diesel Information	
○	5	Cooling System	
	6	Fuel System	
	7	Vehicle Emission Control	
	7	Exhaust System	
○	8-10	Transmission, Axles and Shafts	
	11	Suspension	
○	12-13	Brakes, Tires and Wheels	
	14	Steering	
	15-16	Electrical	
	17	Body — Miscellaneous Information	
	17	Frame	
	18	Restraint System	
○	18	Glass	
	18	Headlamps	
	19	Climate Control System	
○	20-21	Convenience Equipment	
	21	Trailer Towing	
	22-24	Vehicle Dimensions	
	25	Vehicle Fiducial Marks	
	26	Vehicle Mass (Weight)	
	27	Optional Equipment Differential Mass (Weight)	
	28-34	Vehicle Dimensions Definitions - Key Sheets	
	35	Index	

NOTE:

1. This form uses both SI metric units and U.S. Customary units. The metric unit of measure is presented first, and the U.S. Customary unit follows in parentheses.
2. UNLESS OTHERWISE INDICATED:
 - a. Specifications apply to standard models without optional equipment. Significant deviations are noted.
 - b. Nominal design dimensions are used throughout these specifications.
 - c. All linear dimensions are in millimeters (inches), and all mass (weight) specifications are in kilograms (pounds).
3. The General Specifications herein are those in effect at date of compilation and are subject to change without notice or incurring obligation by the manufacturer.
4. Additional Vehicle Dimensions (based in part on SAE J1100 "Motor Vehicle Dimensions") may be available from the manufacturer.

MVMA Specifications

Vehicle Line Geo STORM
 Model Year 1993 Issued 9-92 Revised(*) _____

METRIC (U.S. Customary)

Vehicle Origin

Design & development (company)	Isuzu Motors Limited
Where built (country)	Japan
Authorized U.S. Sales marketing representative	Chevrolet/Geo

Vehicle Models

Model Description & Drive (FWD/RWD/AWD/4WD)*	Make, Vehicle Models, Series, Body Type (Mfr's Model Code)	No. of Designated Seating Positions (Front/Rear)	Max. Trunk/Cargo Load-Kilograms (Pounds)	EPA Fuel Economy (City/Hwy)
Geo STORM				
2-Door 2 + 2 Coupe (FWD)	1RF77	2/2	30.0 (66)	M/T 29/35 A/T 25/31
Geo STORM GSi				
2-Door 2 + 2 Coupe (FWD)	1RT77	2/2	30.0 (66)	M/T 23/31 A/T 22/30

* FWD - Front Wheel Drive RWD - Rear Wheel Drive AWD - All Wheel Drive 4WD - Four Wheel Drive

MVMA Specifications

Vehicle Line Geo STORM
 Model Year 1993 Issued 9-92 Revised(*) _____

METRIC (U.S. Customary) Power Teams

SAE J1349 Net bhp (brake hrspr) and Net Torque corrected to 77 deg. F / 25 deg. C and 29.61 in. Hg/100 kPA atmos. press.

		A	B	C	D	
ENGINE	Engine Code	L01	L01	LV6	LV6	
	Displacement Liters (cu. in.)	1.6 (97)	1.6 (97)	1.8 (110)	1.8 (110)	
	Induction system (FI, Carb, etc.)	Multi-Port Fuel Injection	Multi-Port Fuel Injection	Multi-Port Fuel Injection	Multi-Port Fuel Injection	
	Compression ratio	9.1:1	9.1:1	9.7:1	9.7:1	
	SAE Net at RPM	Power kW(bhp)	67 (90) @ 5400	67 (90) @ 5400	105 (140) @ 6400	105 (140) @ 6400
		Torque Newton meters (lb.ft.)	131 (97) @ 4200	131 (97) @ 4200	162 (120) @ 4600	162 (120) @ 4600
	Exhaust Single, dual	Single	Single	Dual	Dual	
TRANS	Transmission/Transaxle	Manual Transaxle 5-Speed	Auto Transaxle 3-Speed	Manual Transaxle 5-Speed	Auto Transaxle 4-Speed	
	Effective Final Drive/Axle Ratio (std. first)	3.83	3.53	4.12	4.02	

Model	Code	Power Teams (A - B - C - D)	
		Standard	Optional
Geo STORM			
2-Dr. 2 + 2 Coupe	1RF77	A	B
Geo STORM GSi			
2-Dr. 2 + 2 Coupe	1RT77	C	D

MVMA Specifications

Vehicle Line Geo STORM
 Model Year 1993 Issued 9-92 Revised(*)

METRIC (U.S. Customary)

Engine Description
 Engine Code

1.6 LITER L4 (97 CID)
 MULTI-PORT FUEL INJECTION RPO L01

ENGINE - GENERAL

Type & description (inline, V, angle, flat, location, front, mid, rear, transverse, longitudinal, sohc, dohc, ohv, hami, wedge, pre-chamber, etc.)	inline, Front, Transverse, SOHC, Hemisphere	
Manufacturer	Isuzu Motors Ltd.	
No. of cylinders	4	
Bore	80 mm (3.15 in.)	
Stroke	79 mm (3.11 in.)	
Bore spacing (C/L to C/L)	87 mm (3.4 in.)	
Cyl block matl & mass kg(lbs.)(machined)	Cast Iron	
Cylinder block deck height	190 mm (7.48 in.)	
Cylinder block length	392 mm (15.4 in.)	
Deck clearance (minimum) (above or below block)	0	
Cyl. head material & mass kg (lbs.)	Aluminum Alloy	
Cylinder head volume (cu.cm.) (cu. in.)	39 (2.38)	
Cylinder liner material	-	
Head gasket thickness (compressed)	1.2 mm (0.05 in.)	
Minimum combustion chamber total volume (cm. cu.) (cu. in.)	49.1 (3.0)	
Cyl. no. system (front to rear)*	L. Bank	1-2-3-4
	R. Bank	-
Firing order	1-3-4-2	
Intake manifold matl & mass kg(lbs.)**	Aluminum Alloy	
Exh. manifold matl & mass kg (lbs.)**	Cast Iron	
Knock sensor (number & location)	-	
Fuel required unloaded, diesel, etc.	Unleaded	
Fuel antiknock index (R + M) / 2	87	
Engine mounts	Quantity	4
	Matl and type (elastomeric, hydroelastic, hydraulic damper, etc.)	Elastomeric
	Added isolation (sub-frame, crossmember, etc.)	-
Total dressed engine mass (wt) dry***	109 (240), M/T/104 (229), A/T	

Engine - Pistons

Material & mass, g (weight, oz.) - piston only	Aluminum Alloy
--	----------------

Engine Camshaft

Location	Over Cylinder Head	
Material & mass kg (weight, lbs.)	Cast Iron	
Drive type	Chain/belt	Belt
	Width/pitch	25.4/8.0 mm (1.0/0.3 in.)

*Rear of engine - drive takeoff. View from drive takeoff end to determine left & right side of engine.
 **Finished state.
 ***Dressed engine mass (weight) includes the following:

MVMA Specifications

Vehicle Line Geo STORM
 Model Year 1993 Issued 9-92 Revised(*) _____

METRIC (U.S. Customary)

Engine Description
 Engine Code

1.8 LITER L4 (110 CID)
 MULTI-PORT FUEL INJECTION RPO LV6

ENGINE - GENERAL

Type & description (inline, V, angle, flat, location, front, mid, rear, transverse, longitudinal, sohc, dohc, ohv, hemi, wedge, pre-chamber, etc.)		Inline, Front, Transverse, DOHC, Pent Roof
Manufacturer		Isuzu Motors Ltd.
No. of cylinders		4
Bore		80 mm (3.15 in.)
Stroke		90 mm (3.54 in.)
Bore spacing (C/L to C/L)		87 mm (3.4 in.)
Cyl block matl & mass kg(lbs.) (machined)		Cast Iron
Cylinder block deck height		215.5 mm (8.45 in.)
Cylinder block length		392 mm (15.4 in.)
Deck clearance (minimum) (above or below block)		0.7 mm (0.03 in.)
Cyl. head material & mass kg (lbs.)		Aluminum Alloy
Cylinder head volume (cu.cm.) (cu. in.)		
Cylinder liner material		-
Head gasket thickness (compressed)		1.20 (0.05)
Minimum combustion chamber total volume (cm. cu.) (cu. in.)		52.0 (3.2)
Cyl. no. system (front to rear)	L. Bank	1-2-3-4
	R. Bank	-
Firing order		1-3-4-2
Intake manifold matl & mass kg (lbs.) **		Aluminum Alloy
Exh. manifold matl & mass kg (lbs.) **		Cast Iron
Knock sensor (number & location)		-
Fuel required unleaded, diesel, etc.		Unleaded
Fuel antiknock index (R + M) / 2		87
Engine mounts	Quantity	4
	Matl and type (elastomeric, hydroelastic, hydraulic damper, etc.)	Elastomeric
	Added isolation (sub-frame, crossmember, etc.)	-
Total dressed engine mass (wt) dry***		139 (306), M/T/135 (298), A/T

Engine - Pistons

Material & mass, g (weight, oz.) - piston only	Aluminum Alloy
--	----------------

Engine Camshaft

Location		Over Cylinder Head
Material & mass kg (weight, lbs.)		Cast Iron
Drive type	Chain/belt	Belt
	Width/pitch	25.4/8.0 mm (1.0/0.3 in.)

*Rear of engine - drive takeoff. View from drive takeoff end to determine left & right side of engine.

**Finished state.

***Dressed engine mass (weight) includes the following:

MVMA Specifications

Vehicle Line Geo STORM
 Model Year 1993 Issued 9-92 Revised(*) _____

METRIC (U.S. Customary)

Engine Description
 Engine Code

1.6 LITER L4 (97 CID)
 MULTI-PORT FUEL INJECTION RPO L01

Engine - Valve System

Hydraulic lifters (std., opt., n.a.)		Not Applicable
Valves	Number intake/exhaust	8/4
	Head O.D. intake/exhaust	28/32 mm (1.10/1.26 in.)

Engine - Connecting Rods

Material & mass kg., (weight, lbs.)*	Forged Steel
Length(axes centerline to centerline)	122 (4.8)

Engine - Crankshaft

Material & mass kg., (weight, lbs.)*	Cast Iron	
End thrust taken by bearing (no.)	2	
Length & number of main bearings	17.0 mm (.67 in.), 5	
Seal (material, one, two piece design, etc.)	Front	Acryl Rubber, One Piece Design
	Rear	Silicon Rubber, One Piece Design

Engine - Lubrication System

Normal oil pressure kPa(psi) @ eng rpm	441/5200
Type oil intake (floating, stationary)	Stationary
Oil filter sys. (full flow, part, other)	Full Flow
Capacity of c/case, less filter-refill-L (qt.)	3.0 (3.2)

Engine - Diesel Information

(NOT APPLICABLE)

Diesel engine manufacturer		
Glow plug, current drain at 0 deg. F		
Injector Nozzle	Type	
	Opening pressure kPa (psi)	
Pre-chamber design		
Fuel injection pump	Manufacturer	
	Type	
Fuel inj. pump drive (belt, chain, gear)		
Supplementary vacuum source (type)		
Fuel heater (yes/no)		
Water separator, description (std., opt.)		
Turbo manufacturer		
Oil cooler-type (oil to engine coolant; oil to ambient air)		
Oil filter		

Engine - Intake System

(NOT APPLICABLE)

Turbo charger - manufacturer		
Super charger - manufacturer		
Intercooler		

* Finished State

MVMA Specifications

Vehicle Line Geo STORM
 Model Year 1993 Issued 9-82 Revised(*) _____

METRIC (U.S. Customary)

Engine Description
 Engine Code

1.8 LITER L4 (110 CID)
 MULTI-PORT FUEL INJECTION RPO LV6

Engine - Valve System

Hydraulic lifters (std., opt., n.a.)		Not Applicable
Valves	Number intake/exhaust	8/8
	Head O.D. intake/exhaust	31 (1.22)/28 (1.10)

Engine - Connecting Rods

Material & mass kg., (weight, lbs.)*	Forged Steel
Length(axis centerline to centerline)	138 (5.4)

Engine - Crankshaft

Material & mass kg., (weight, lbs.)*	Cast Iron	
End thrust taken by bearing (no.)	2	
Length & number of main bearings	17.0 mm (.67 in.), 5	
Seal (material, one, two piece design, etc.)	Front	Acryl Rubber, One Piece Design
	Rear	Fluorine Rubber, One Piece Design

Engine - Lubrication System

Normal oil pressure kPa(psi) @ eng rpm	588/5200
Type oil intake (floating, stationary)	Stationary
Oil filter sys. (full flow, part, other)	Full Flow
Capacity of c/case, less filter-refill-L (qt.)	3.5 (3.7)

Engine - Diesel Information

(NOT APPLICABLE)

Diesel engine manufacturer	
Glow plug, current drain at 0 deg. F	
Injector Nozzle	Type
	Opening pressure kPa(psi)
Pre-chamber design	
Fuel injection pump	Manufacturer
	Type
Fuel inj. pump drive (belt, chain, gear)	
Supplementary vacuum source (type)	
Fuel heater (yes/no)	
Water separator, description (std., opt.)	
Turbo manufacturer	
Oil cooler-type (oil to engine coolant; oil to ambient air)	
Oil filter	

Engine - Intake System

(NOT APPLICABLE)

Turbo charger - manufacturer	
Super charger - manufacturer	
Intercooler	

* Finished State

MVMA Specifications

Vehicle Line Geo STORM
 Model Year 1993 Issued 9-92 Revised(*)

METRIC (U.S. Customary)

Engine Description
 Engine Code

1.6 LITER L4 (97 CID)
 MULTI-PORT FUEL INJECTION RPO L01

Engine - Cooling System

Coolant recovery system (std, opt, n.a.)		Standard	
Coolant fill location (rad., bottle)		Bottle	
Radiator cap relief valve pressure kPa (psi)		103	
Circulation thermostat	Type (choke, bypass)	Bypass	
	Starts to open @ deg's C(F)	82 (180)	
Water Pump	Type (centrifugal, other)	Centrifugal	
	GPM 1000 pump rpm	6.9	
	Number of pumps	1	
	Drive (V-belt, other)	Timing Belt	
	Bearing type	Sealed Type Ball Bearing	
	Impeller material	Steel	
Housing material		Aluminum Alloy	
By-pass recirculation type (inter., ext.)		External	
Cooling system capacity	With heater - L (qt.)	6.8 (7.2), M/T/7.3 (7.7), A/T	
	With air conditioner-L(qt.)	6.8 (7.2), M/T/7.3 (7.7), A/T	
	Opt. equip. specify-L(qt.)	Not Applicable	
Water jackets full length of cyl(yes,no)		Yes	
Water all around cylinder (yes, no)		Yes	
Water jackets open at head face (yes,no)		No	
Radiator core	Std., A/C, HD	Standard	
	Type (cross-flow, etc.)	Down-Flow	
	Construction (fin & tube mechanical, braze, etc.)	Tube & Corrugated Fin	
	Matl., mass kg (wgt., lbs.)	Brass & Copper	
	Width	668 mm (26.3 in.)	
	Height	350 mm (13.8 in.)	
	Thickness	16.0 mm (0.63 in.), M/T; 32.0 mm (1.26 in.), A/T	
Fins per inch		11, M/T/10, A/T	
Radiator end tank material		Nylon	
Fan	Std., elec., opt.	Standard Electric	
	Number of blades & type (flex, solid, material)	4, PP, M/T / 7, PP, A/T	
	Number & location (front, rear of radiator)	1, Rear	
	Diameter & projected width	300 mm (11.8 in.)	
	Ratio(fan to crnkshft.rev.)	Not Applicable	
	Fan cutout type	-	
	Drive type (direct, remote)	-	
	RPM at idle (elec.)	2150 M/T 2050 A/T	
	Motor rating(wattage)(elec)	80, M/T/160, A/T	
	Motor switch (type & location/elec.)	Water Temperature, Radiator Tank	
	Switch point (temp.,/ pressure/elec.)	85 deg. C (185 deg. F)	
	Fan shroud (material)		Polypropylene

MVMA Specifications

Vehicle Line Geo STORM
 Model Year 1993 Issued 9-92 Revised(*) _____

METRIC (U.S. Customary)

Engine Description
 Engine Code

1.8 LITER L4 (110 CID)
 MULTI-PORT FUEL INJECTION RPO LV6

Engine - Cooling System

Coolant recovery system (std, opt, n.a.)		Standard
Coolant fill location (rad., bottle)		Bottle
Radiator cap relief valve pressure kPa (psi)		103
Circulation thermostat	Type (choke, bypass)	Bypass
	Starts to open @ deg's C(F)	76.5 (170)
Water Pump	Type (centrifugal, other)	Centrifugal
	GPM 1000 pump rpm	6.9
	Number of pumps	1
	Drive (V-belt, other)	Timing Belt
	Bearing type	Sealed Type Ball Bearing
	Impeller material	Steel
	Housing material	Aluminum Alloy
By-pass recirculation type (inter., ext.)		External
Cooling system capacity	With heater - L (qt.)	7.1 (7.5), M/T/7.6 (8.0), A/T
	With air conditioner-L(qt.)	7.1 (7.5), M/T/7.6 (8.0), A/T
	Opt. equip. specify-L(qt.)	Not Applicable
Water jackets full length of cyl(yes,no)		Yes
Water all around cylinder (yes, no)		Yes
Water jackets open at head face (yes,no)		No
Radiator core	Std., A/C, HD	Standard
	Type (cross-flow, etc.)	Down-Flow
	Construction (fin & tube mechanical, braze, etc.)	Tube & Corrugated Fin
	Matl., mass kg (wgt.,lbs.)	Brass & Copper
	Width	668 mm (26.3 in.)
	Height	350 mm (13.8 in.)
	Thickness	16.0 mm (0.63 in.), M/T/32.0 mm (1.26 in.), A/T
Radiator end tank material		Nylon
Fan	Std., elec., opt.	Standard Electric
	Number of blades & type (flex, solid, material)	4, PP, M/T / 7, PP, A/T
	Number & location (front, rear of radiator)	1, Rear
	Diameter & projected width	300 (11.8)
	Ratio(fan to crnkshft.rev.)	Not Applicable
	Fan cutout type	-
	Drive type (direct, remote)	-
	RPM at idle (elec.)	2150
	Motor rating(wattage)(elec)	80, M/T/160, A/T
	Motor switch (type & location/elec.)	Water Temperature
	Switch point (temp.,/ pressure/elec.)	90 deg. C. (194 deg. F.)
	Fan shroud (material)	Polypropylene

MVMA Specifications

Vehicle Line Geo STORM
 Model Year 1993 Issued 9-92 Revised(*) _____

METRIC (U.S. Customary)

Engine Description
 Engine Code

1.6 LITER L4 (97 CID)
 MULTI-PORT FUEL INJECTION RPO L01

Engine - Fuel System (See supplemental page for details of Fuel Inj, Supercharger, Turbocharger, etc. if used)

Induction type: carburetor, fuel injection system, etc.		Fuel Injection
Manufacturer		HITACHI
Carburetor no. of barrels		-
Idle A/F mix.		Preset By Manufacturer
Fuel Injection	Point of inj. (no.)	4
	Constant, pulse, flow	Pulse
	Control (elec., mech.)	Electronic
	Sys. press. kPa (psi)	300
Idle spd.-rpm (spec. neutral or drive and propane if used)	Manual	850
	Automatic	940 (Neutral)
Intake manifold heat control (exhaust or water thermostatic or fixed)		-
Air cleaner type		Dry: 1 Element
Fuel filter (type/location)		Paper Element/Engine Compartment
Fuel pump	Type (elec. or mech.)	Electric
	Location (eng., tank)	Fuel Tank
	Press. range kPa (psi)	
	Flow rate at regulated pressure L (gal)/hr @ kPa (psi)	

Fuel Tank

Capacity refill L (gallons)		47 (12.4)
Location (describe)		Under Floor - Rear Seat
Attachment		Bolted
Material & Mass kg (weight lbs.)		Steel 9.8 (21.6)
Filler pipe	Location & material	Rear-Left Wheel House, Steel
	Connection to tank	Rubber Hose
Fuel line (material)		Copper Plated Steel Pipe
Fuel hose (material)		Rubber Hose With Intermediate Blade
Return line (material)		Copper Plated Steel Pipe
Vapor line (material)		Copper Plated Steel Pipe
Extended range tank	Opt., n.a.	Not Applicable
	Capacity L (gallons)	"
	Location & material	"
	Attachment	"
Auxiliary tank	Opt., n.a.	Not Applicable
	Capacity L (gallons)	"
	Location & material	"
	Attachment	"
	Electr switch or valve	"
Separate fill		"

MVMA Specifications

Vehicle Line Geo STORM
 Model Year 1993 Issued 9-92 Revised(*) _____

METRIC (U.S. Customary)

Engine Description
 Engine Code

1.8 LITER L4 (110 CID)
 MULTI-PORT FUEL INJECTION RPO LV6

Engine - Fuel System (See supplemental page for details of Fuel Inj, Supercharger, Turbocharger, etc. if used)

Induction type: carburetor, fuel injection system, etc.		Fuel Injection
Manufacturer		AC/Rochester Division
Carburetor no. of barrels		-
Idle A/F mix.		Preset By Manufacturer
Fuel Injection	Point of inj. (no.)	4
	Constant, pulse, flow	Pulse
	Control (elec., mech.)	Electronic
	Sys. press. kPa (psi)	300
Idle spd.-rpm (spec. neutral or drive and propane if used)	Manual	850
	Automatic	850 (Neutral)
Intake manifold heat control (exhaust or water thermostatic or fixed)		-
Air cleaner type		Dry: 1 Element
Fuel filter (type/location)		Paper Element/Engine Compartment
Fuel pump	Type (elec. or mech.)	Electric
	Location (eng., tank)	Fuel Tank
	Press. range kPa (psi)	
	Flow rate at regulated pressure L (gal)/hr @ kPa (psi)	

Fuel Tank

Capacity refill L (gallons)		47 (12.4)
Location (describe)		Under Floor - Rear Seat
Attachment		Bolted
Material & Mass kg (weight lbs.)		Steel 9.8 (21.6)
Filter pipe	Location & material	Rear-Left Wheel House, Steel
	Connection to tank	Rubber Hose
Fuel line (material)		Copper Plated Steel Pipe
Fuel hose (material)		Rubber Hose With Intermediate Blade
Return line (material)		Copper Plated Steel Pipe
Vapor line (material)		Copper Plated Steel Pipe
Extended range tank	Opt., n.a.	Not Applicable
	Capacity L (gallons)	"
	Location & material	"
	Attachment	"
Auxiliary tank	Opt., n.a.	Not Applicable
	Capacity L (gallons)	"
	Location & material	"
	Attachment	"
	Stctr switch or valve	"
	Separate fill	"

MVMA Specifications

Vehicle Line Geo STORM
 Model Year 1993 Issued 9-92 Revised(*) _____

METRIC (U.S. Customary)

Engine Description
 Engine Code

1.6 LITER L4 (97 CID)
 MULTI-PORT FUEL INJECTION RPO L01

Vehicle Emission Control

Exhaust Emission Control	Type (air injection, engine modifications, other)		EGR + 02S + TWC; 49 States: EGR + 02S + WU TWC +TWC ; Calif.
	Air injection	Pump or pulse	-
		Driven by	-
		Air distribution (head, manifold, etc.,)	-
		Point of entry	-
	Exhaust Gas Recirculation	Type (controlled flow, open orifice, other)	Controlled Flow
		Exhaust source Point of exh.inj. (spacer, carb., manifold, other)	Exhaust Manifold Intake Manifold
	Catalytic Converter	Type	TWC
		Number of	1 ; 49 States: 2 ; Calif.
		Location(s)	Under Floor ; 49 States: Under Floor/Under Floor ; Calif.
Volume L (cu.in)		1.76 (104) ; 49 States: 0.34 (20) + 1.76 (104) ; Calif.	
Substrate type		Monolith ; 49 States: Monolith/Monolith ; Calif.	
Noble metal type		Platinum (Pt) Rhodium (Rh)	
Crankcase Emission Control	Type (ventilates to atmosphere, induction system, other)		Closed
	Energy source (manifold vacuum, carburetor, other)		Manifold Vacuum Crankcase Pressure
	Discharges to (intake manifold, other)		Intake Manifold
	Air inlet (breather cap, other)		Air Duct
Evaporative Emission Control	Vapor vented to (crankcase, canister, other)	Fuel tank Carburetor	Canister -
	Vapor storage provision		Canister
Electronic System	Closed loop (yes/no)		Yes
	Open loop (yes/no)		No

Engine - Exhaust System

Type (single, single with cross-over, dual, other)		Single
Muffler no. & type (reverse flow, straight thru, separate resonator) Material & Mass kg (weight lbs.)		2. Ft: Straight Thru, Stainless Steel, 2.2 (4.9) Rr: Reverse Flow, Stainless Steel, 6.2 (13.7)
Resonator no. & type		-
Exhaust pipe	Branch o.d., wall thickness	45.0 - 2.0 mm (1.8 - 0.08 in.)
	Main o.d., wall thickness	-
	Matl. & Mass kg (wght.lbs.)	Stainless Steel, 3.8 (8.5)
Inter-mediate pipe	o.d. & wall thickness	50.8 - 2.0 mm (2.0 - 0.08 in.) M/T, 50.8-1.5mm (2.0-0.06 in.) A/T
	Matl. & Mass kg (wght.lbs.)	Stainless Steel, 10.2 (22.5) M/T, 9.0 (19.8) A/T
Tail pipe	o.d. & wall thickness	Ft Half: 45 - 1.5 mm (1.8 - 0.06 in.) Rr Half: 45 - 1.2 mm (1.8 - 0.05 in.)
	Matl. & Mass kg (wght.lbs.)	Stainless Steel, 9.0 (19.8)

MVMA Specifications

Vehicle Line Geo STORM
 Model Year 1993 Issued 9-92 Revised(*) _____

METRIC (U.S. Customary)

Engine Description
 Engine Code

1.8 LITER L4 (110 CID)
 MULTI-PORT FUEL INJECTION RPO LV6

Vehicle Emission Control

Exhaust Emission Control	Type (air injection, engine modifications, other)		EGR + O2S + TWC (UFC)
	Air injection	Pump or pulse	-
		Driven by	-
		Air distribution (head, manifold, etc.,)	-
		Point of entry	-
	Exhaust Gas Recirculation	Type (controlled flow, open orifice, other)	Controlled Flow
		Exhaust source Point of exh.inj. (spacer, carb., manifold, other)	No. 4 Port Of Exhaust Manifold Intake Manifold
	Catalytic Converter	Type	TWC
		Number of	1
		Location(s)	Under Floor
Volume L (cu.in)		1.7 (104)	
Substrate type		Monolith	
Noble metal type		Platinum (Pt); Rhodium (Rh)	
Crankcase Emission Control	Type (ventilates to atmosphere, induction system, other)		Closed
	Energy source (manifold vacuum, carburetor, other)		Manifold Vacuum Crankcase Pressure
	Discharges to (intake manifold, other)		Intake Manifold
	Air inlt(breather cap,other)		Air Duct
Evaporative Emission Control	Vapor vented to (crankcase, canister, other)	Fuel tank	Canister
		Carburetor:	-
	Vapor storage provision		Canister
Electronic System	Closed loop (yes/no)		Yes
	Open loop (yes/no)		No

Engine - Exhaust System

Type (single, single with cross-over, dual, other)		Single
Muffler no. & type (reverse flow, straight thru, separate resonator) Material & Mass kg (weight lbs.)		2. Ft: Straight Flow, Stainless Steel, 2.4 (5.3) Rr: Reverse Flow, Stainless Steel, 7.1 (15.7)
Resonator no. & type		-
Exhaust pipe	Branch o.d., wall thickness	42.7 - 1.5 mm (1.7 - 0.06 in.)
	Main o.d., wall thickness	50.8 - 2.0 mm (2.0 - 0.08 in.)
	Matl. & Mass kg (wght.lbs.)	Stainless Steel
Inter-mediate pipe	o.d. & wall thickness	50.8 - 2.0 mm (2.0 - 0.08 in.) M/T, 50.8-1.5mm (2.0-0.06 in.) A/T
	Matl. & Mass kg (wght.lbs.)	Stainless Steel, 10.2 (22.5) M/T, 9.0 (19.8) A/T
Tail pipe	o.d. & wall thickness	Ft Half: 50.8-1.5 mm (2.0 - .059 in.), Rr Half: 38.1-1.2 mm, (54 - 0.6 in.)
	Matl. & Mass kg (wght.lbs.)	Stainless Steel, 9.8 (22.5)

MVMA Specifications

Vehicle Line Geo STORM
 Model Year 1993 Issued 9-92 Revised(*) _____

METRIC (U.S. Customary)

Engine Description	1.6 LITER L4 (97 CID)
Engine Code	MULTI-PORT FUEL INJECTION RPO L01

Transmissions/Transaxle (Std., Opt., N.A.)

Manual 4-speed (manufacturer/country)	
Manual 5-speed (manufacturer/country)	
Manual 6-speed (manufacturer/country)	
Automatic (manufacturer/country)	Japan Automatic Transmission Co. / Japan
Auto. overdrive (manufacturer/country)	Not Applicable

Manual Transmission/Transaxle

Number of forward speeds		5
Gear ratios	1st	3.91
	2nd	2.15
	3rd	1.45
	4th	1.03
	5th	0.83
	6th	
	Reverse	3.58
Synchronous meshing (specify gears)		All Forward Gears
Shift lever location		Floor
Trans. case mat'l. & mass kg (lbs)*		Aluminum, 37.5 (82.7)
Lubricant	Capacity L (pt.)	1.9 (4.0)
	Type recommended	SAE 5W-30 SF (Engine Oil)

Clutch (Manual Transmission)

Clutch manufacturer		Daikin
Clutch type (dry, wet; single, multiple disc)		Dry Single
Linkage (hyd., cable, rod, lever, other)		Cable
Max. pedal effort (nom. spring load) N (lbs.)	Depressed	108 (24)
	Released	59 (13)
Assist (spring, power/percent, nominal)		Spring
Type pressure plate springs		Diaphragm
Total spring load (nominal) N (lbs.)		4312 (970)
Clutch facing	Facing mfr. & matl. coding	ASUKU NC80A
	Facing matl. & construction	Organic Semi-Mold
	Rivets per facing	16
	Outside x inside dia. (nom.)	200 x 130 mm (7.9 x 5.1 in.)
	Total eff. area sq cm (sq in)	181 (28.1)
	Thickness (pressure plate side/fly wheel side)	3.5 mm (0.14 in.) / 3.2 mm (0.13 in.)
	Rivet depth (pressure plate side/fly wheel side)	1.3-1.9 mm (0.051-0.075 in.) / 1.2-1.8 mm (0.047-0.070 in.)
Engagement cushion method		Cushion Spring
Release bearing type & method lub.		Self-Centering Single Row Ball Bearing Sealed Grease
Torsional damping method, springs, hysteresis		Coil Spring

* Includes shift linkage, lubricant, and clutch housing. If other specify.

MVMA Specifications

Vehicle Line Geo STORM
 Model Year 1993 Issued 9-92 Revised(*) _____

METRIC (U.S. Customary)

Engine Description
 Engine Code

1.8 LITER L4 (110 CID)
 MULTI-PORT FUEL INJECTION RPO LV6

Transmissions/Transaxle (Std., Opt., N.A.)

Manual 4-speed (manufacturer/country)	
Manual 5-speed (manufacturer/country)	
Manual 6-speed (manufacturer/country)	
Automatic (manufacturer/country)	Not Applicable
Auto. overdrive (manufacturer/country)	Japan Automatic Transmission Co. / Japan

Manual Transmission/Transaxle

Number of forward speeds	5	
Gear ratios	1st	3.73
	2nd	2.15
	3rd	1.45
	4th	1.03
	5th	0.83
	6th	Not Applicable
	Reverse	3.58
Synchronous meshing (specify gears)	All Forward Gears	
Shift lever location	Floor	
Trans. case mat'l. & mass (lbs)*	Aluminum, 37.5 (82.7)	
Lubricant	Capacity L (pt.)	1.9 (4.0)
	Type recommended	SAE 5W-30 SF (Engine Oil)

Clutch (Manual Transmission)

Clutch manufacturer	Daikin	
Clutch type (dry, wet; single, multiple disc)	Dry Single	
Linkage (hyd., cable, rod, lever, other)	Cable	
Max. pedal effort (nom. spring load) N (lbs.)	Depressed	108 (24)
	Released	59 (13)
Assist (spring, power/percent, nominal)	Spring	
Type pressure plate springs	Diaphragm	
Total spring load (nominal) N (lbs.)	4900 (1102)	
Clutch facing	Facing mfr. & mat'l. coding	ASUKJ NC80A
	Facing mat'l. & construction	Organic Semi-Mold
	Rivets per facing	16
	Outside x inside dia. (nom.)	215 x 154 mm (8.5 x 6.1 in.)
	Total eff. area sq cm (sq in)	177 (27.4)
	Thickness (pressure plate side/fly wheel side)	3.5 mm (0.14 in.) / 3.2 mm (0.13 in.)
	Rivet depth (pressure plate side/fly wheel side)	1.3-1.9 mm (0.051-0.075 in.) / 1.2-1.8 mm (0.047-0.070 in.)
Engagement cushion method	Cushion Spring	
Release bearing type & method lub.	Self-Centering Single Row Ball Bearing Sealed Grease	
Torsional damping method, springs, hysteresis	Coil Spring & Torsion Rubber	

* Includes shift linkage, lubricant, and clutch housing. If other specify.

MVMA Specifications

Vehicle Line Geo STORM
 Model Year 1993 Issued 9-92 Revised _____

METRIC (U.S. Customary)

Engine Description	1.6 LITER L4 (97 CID)
Engine Code	MULTI-PORT FUEL INJECTION RPO L01

Automatic Transmission/Transaxle

Trade Name		KF400
Type and special features (describe)		Torque Converter With Automatically Operated Planetary Gear
O Shift mechanics		Plate Clutch and Planetary Gear Set
Gear selector	Location (column, floor, other)	Floor
	Ltr./No. designation (e.g. PRND21)	P-R-N-D-2-1
	Shift interlock (yes, no, describe)	Yes
Gear ratios	1st	2.84
	2nd	1.54
	3rd	1.00
	4th	Not Applicable
	5th	"
	6th	"
	Reverse	2.40
O Final drive ratio		3.53
Max. upshift vehicle speed - drive range km/h (mph)		1 - 2 = 58 (36) 2 - 3 = 107 (67)
O Max. upshift engine speed RPM		6400 RPM
Max. kickdown speed - drive range km/h (mph)		2 - 1 = 43 (27) 3 - 2 = 98 (61)
Min. overdrive speed km/h (mph)		-
O Torque converter	Type	3 Element 1 Stage 2 Phase
	Torus design	Circle Type
	Number of elements	3
	Max. ratio at stall	2.0
	Type of cooling (air, liquid)	Liquid
	Nominal diameter	224 (8.8)
Capacity factor "K"		215 K
O Pump type		
Lubricant	Capacity refill L (pt.)	6.5
	Type recommended	ATF DEXRON-II
Oil cooler (std., opt., N.A., internal, external, air, liquid)		Standard, External, Liquid
Trans. mass kg (lbs) & case matl.**		60 (132), Aluminum

All Wheel / 4 Wheel Drive

(NOT APPLICABLE)

Desc. & type (part-time, full-time, 2/4 shift while moving, mech., elect., chain/gear, etc.)		
Transfer	Manufacturer and model	
	Type and location	
Low-range gear ratio		
System disconnect (describe)		
Center differential	Type (bevel, planetary, w or w/o viscous bias, torsen, etc.)	
	Torque split(% frt/rear)	

* Input speed / square root of torque.
 ** Dry weight including torque converter. If other, specify.

MVMA Specifications

Vehicle Line Geo STORM
 Model Year 1993 Issued 9-92 Revised _____

METRIC (U.S. Customary)

Engine Description
 Engine Code

1.8 LITER L4 (110 CID)
 MULTI-PORT FUEL INJECTION RPO LV6

Automatic Transmission/Transaxle

Trade Name		FA
Type and special features (describe)		Torque Converter With Automatically Operated Planetary Gear
O Shift mechanics		Plate Clutch and Planetary Gear Set
Gear selector	Location (column, floor, other)	Floor
	Ltr./No. designation (e.g. PRND21)	P-R-N-D4-D3-2-1
	Shift interlock (yes, no, describe)	Yes
Gear ratios	1st	3.03
	2nd	1.62
	3rd	1.00
	4th	0.69
	5th	Not Applicable
	6th	"
	Reverse	2.27
O Final drive ratio		4.02
Max. upshift vehicle speed - drive range km/h (mph)		1 - 2 = 51 (32) 3 - 4 = 154 (96) 2 - 3 = 95 (59)
O Max. upshift engine speed RPM		7000 RPM
Max. kickdown speed - drive range km/h (mph)		2 - 1 = 44 (27) 4 - 3 = 149 (93) 3 - 2 = 86 (54)
Min. overdrive speed km/h (mph)		39 (24)
O Torque converter	Type	3 Element 1 Stage 2 Phase With Lock-Up Clutch
	Torus design	Ultra-Flat Type
	Number of elements	3
	Max. ratio at stall	2.25
	Type of cooling (air, liquid)	Liquid
	Nominal diameter	236 (9.3)
Capacity factor "K"		204 K
O Pump type		
Lubricant	Capacity refill L (pt.)	6.6
	Type recommended	ATF DEXRON-II
Oil cooler (std., opt., N.A., internal, external, air, liquid)		Standard, External, Liquid
Trans. mass kg (lbs) & case matl.**		75 (165)

All Wheel / 4 Wheel Drive

(NOT APPLICABLE)

Desc. & type (part-time, full-time, 2/4 shift while moving, mech., elect, chain/gear, etc.)		
Transfer	Manufacturer and model	
	Type and location	
Low-range gear ratio		
System disconnect (describe)		
Center differential	Type (bevel, planetary, w or w/o viscous bias, torsen, etc.)	
	Torque split (% frt/rear)	

* Input speed / square root of torque.
 ** Dry weight including torque converter. If other, specify.

MVMA Specifications

Vehicle Line Geo STORM
 Model Year 1993 Issued 9-92 Revised(*)

METRIC (U.S. Customary)

Engine Description	1.6 LITER L4 (97 CID)
Engine Code	MULTI-PORT FUEL INJECTION RPO L01

Axle Ratio and Tooth Combinations (See 'Power Teams' for axle ratio usage)

Effec. final drv. ratio (or overall top gear ratio)		3.83 (M/T)	3.53 (A/T)
Transfr ratio and method(chain,gear,etc)		-	
Front drive unit	Ring gear o.d.	206.4 mm (8.1 in.)	194.8 mm (7.7 in.)
	No. of teeth	Pinion	18
		Ring gear	69

Front Drive Unit

Description (integral to trans., etc.)	Helical Gear	
Limited slip differential (type)	Not Applicable	
Drive pinion	Type	-
	Offset	Helical Gear
No. of differential pinions	2	
Pinion/differential	Adjustment (shim, etc.)	Shim
	Bearing adjustment	Shim
Driving wheel bearing (type)	Double Row, Angular Ball Bearing	
Lubricant	Capacity L (pt.)	Not Applicable (Part Of Transmission Assembly)
	Type recommended	

Axle Shafts - Front Wheel Drive

Manufacturer and number used		NTN, NSK	
Type (straight, solid bar, tubular, etc.)	Left	Straight, Solid Bar	
	Right	Straight, Solid Bar	
Outer diam. x length* x wall thickness	Manual transaxle	Left	24 x 386.6 mm (.94 x 15.22 in.)
		Right	24 x 658.1 mm (.94 x 25.91 in.)
	Automatic transaxle	Left	24 x 342.5 mm (.94 x 13.48 in.)
		Right	24 x 701.2 mm (.94 x 27.61 in.)
	Optional transaxle	Left	-
		Right	-
Slip yoke	Type	Not Applicable	
	Number of teeth	-	
	Spine o.d.	-	
Universal joints	Make and mfg. no.	Inner	NTN, NSK
		Outer	NTN, NSK
	Number used	4	
	Type, size, plunge	Inner	Double Offset Joint, 82/TRI Port Joint, 82
		Outer	Berfield Joint, 82 Fixed
	Attach (u-bolt, clamp, etc.)	Snap Ring	
	Bearing	Type (plain, anti-friction)	Not Applicable
Lubrication (fitting, prepack)		"	
Drive taken through (torque tube, arms or springs)		"	
Torque taken through (torque tube, arms or springs)		"	

* Centerline to centerline of universal joints, or to centerline of attachment.

MVMA Specifications

Vehicle Line Geo STORM
 Model Year 1993 Issued 9-92 Revised(*) _____

METRIC (U.S. Customary)

Engine Description	1.8 LITER L4 (110 CID)
Engine Code	MULTI-PORT FUEL INJECTION RPO LV6

Axle Ratio and Tooth Combinations (See 'Power Teams' for axle ratio usage)

Effec. final drv. ratio (or overall top gear ratio)		4.12 (M/T)	4.02 (A/T)
Trnsfr ratio and method(chain,gear,etc)		-	
Front drive unit	Ring gear o.d.	208.6 mm (8.2 in.)	214.4 mm (8.4 in.)
	No. of teeth	Pinion	17
		Ring gear	70

Front Drive Unit

Description (integral to trans., etc.)		Helical Gear
Limited slip differential (type)		Not Applicable
Drive pinion	Type	-
	Offset	Helical Gear
No. of differential pinions		2
Pinion/differential	Adjustment (shim, etc.)	Shim
	Bearing adjustment	Shim
Driving wheel bearing (type)		Double Row, Angular Ball Bearing
Lubricant	Capacity L (pt.)	Not Applicable Part Of Transmission Assembly
	Type recommended	

Axle Shafts - Front Wheel Drive

Manufacturer and number used		NTN, NSK	
Type (straight, solid bar, tubular, etc.)	Left	Straight, Solid Bar	
	Right	Straight, Solid Bar	
Outer diam. x length* x wall thickness	Manual transaxle	Left	27.1 x 386.6 mm (1.31 x 15.22 in.)
		Right	32 x 386.6 mm (1.26 x 15.22 in.)
	Automatic transaxle	Left	27.1 x 386.6 mm (1.31 x 15.22 in.)
		Right	26 x 658.1 mm (1.02 x 25.91 in.)
	Optional transaxle	Left	-
		Right	-
Slip yoke	Type	Not Applicable	
	Number of teeth	-	
	Spline o.d.	-	
Universal joints	Make and mfg. no.	Inner	NTN, NSK
		Outer	NTN, NSK
	Number used		4
	Type, size, plunge	Inner	Double Offset Joint, 87/TRI Port Joint, 87
		Outer	Berfield Joint, 87 Fixed
	Attach (u-bolt, clamp, etc.)		Snap Ring
	Bearing	Type (plain, anti-friction)	Not Applicable
Lubrication (fitting, prepack)		"	
Drive taken through (torque tube, arms or springs)		"	
Torque taken through (torque tube, arms or springs)		"	

* Centerline to centerline of universal joints, or to centerline of attachment.

MVMA Specifications

METRIC (U.S. Customary)

Vehicle Line Geo STORM
 Model Year 1993 Issued 9-92 Revised(*) _____

Model Code/Description And/Or
 Engine Code/Description

Geo STORM

Suspension - General Including Electronic Controls

Car leveling	Std./opt./not avail.	Not Applicable	
	Manual/automatic control		
	Type (air/hydraulic)		
	Primary/assist spring		
	Rear only/4 wheel leveling		
	Single/dual rate spring		
	Single/dual ride heights		
Provision for jacking			
Shock absorber damping controls	Standard/option/not avail.	Not Applicable	
	Manual/automatic control		
	Number of damping rates		
	Type of actuation (manual/electric motor/air, etc.)		
	s e n s o r	Lateral acceleration	
		Deceleration	
Acceleration			
Road surface			
Shock absorber (front & rear)	Type	Double Acting Hydraulic Telescopic	
	Make	KAYABA	
	Piston diameter	Ft: 30 mm (1.18 in.), Rr: 25 mm (0.98 in.)	
	Rod diameter	Ft: 20 mm (0.79 in.), Rr: 18 mm (0.71 in.)	

Suspension - Front

Type and description		MacPherson Strut
Travel	Full jounce (define load condition)	
	Full rebound	73 mm (2.9 in.)
Spring	Type (coil, leaf, other & matl)	Coil, SUP 7 or SAE 9254
	Insulators (type & matl)	Seat Rubbers (Top & Bottom)
	Size (Leaf: length & width; Coil: design height & i.d.; Bar: length & diameter)	
	Spring rate N/mm (lb./in.)	21.7 (124)
	Rate @ wheel N/mm (lb./in.)	17.9 (102)
Stabilizer	Type (link, linkless, frmless)	Link
	Material & O.D. bar/tube, wall thickness	SUP 9 Or SAE 9254

Suspension - Rear

Type and description		MacPherson Strut With Two Parallel Transverse Links And One Trailing Link
Travel	Full jounce (define load condition)	
	Full rebound	85 mm (3.35 in.)
Spring	Type (coil, leaf, other & matl)	Coil, SUP 7 Or SAE 9254
	Size (Leaf: length & width; Coil: design height & i.d.; Bar: length & diameter)	
	Spring rate N/mm (lb/in)	18.6 (106)
	Rate @ wheel N/mm (lb/in)	17.2 (98)
	Insulators (type & material)	Seat Rubbers (Top)
If leaf	No. of leaves	Not Applicable
	Shackle (comp or tens)	"
Stabilizer	Type (link, linkless, frmless)	"
	Material & O.D. bar/tube, wall thickness	
Track bar (type)		Not Applicable

MVMA Specifications

Vehicle Line Geo STORM
 Model Year 1993 Issued 9-92 Revised(*) _____

METRIC (U.S. Customary)

Model Code/Description And/Or
 Engine Code/Description

Geo STORM GSi

Suspension - General Including Electronic Controls

Car leveling	Std./opt./not avail.	Not Applicable
	Manual/automatic control	
	Type (air/hydraulic)	
	Primary/assist spring	
	Rear only/4 wheel leveling	
	Single/dual rate spring	
	Single/dual ride heights	
Shock absorber damping controls	Provision for jacking	
	Standard/option/not avail.	Not Applicable
	Manual/automatic control	
	Number of damping rates	
	Type of actuation (manual/electric motor/air, etc.)	
s e n s o r s	Lateral acceleration	
	Deceleration	
	Acceleration	
	Road surface	
Shock absorber (front & rear)	Type	Double Acting Hydraulic Telescopic
	Make	KAYABA
	Piston diameter	Ft: 30 mm (1.18 in.), Rr: 25 mm (0.98 in.)
	Rod diameter	Ft: 20 mm (0.79 in.), Rr: 18 mm (0.71 in.)

Suspension - Front

Type and description		MacPherson Strut
Travel	Full jounce (define load condition)	
	Full rebound	73 mm (2.9 in.)
Spring	Type (coil, leaf, other & mat)	Coil, SUP 7 or SAE 9254
	Insulators (type & mat)	Seat Rubbers (Top & Bottom)
	Size (Leaf: length & width; Coil: design height & i.d.; Bar: length & diameter)	
	Spring rate N/mm (lb./in.)	21.7 (124)
Stabilizer	Rate @ wheel N/mm (lb./in)	17.9 (102)
	Type (link, linkless, frmless)	Link
	Material & O.D. bar/tube, wall thickness	

Suspension - Rear

Type and description		MacPherson Strut With Two Parallel Transverse Links And One Trailing Link
Travel	Full jounce (define load condition)	
	Full rebound	85 mm (3.35 in.)
Spring	Type (coil, leaf, other & mat)	Coil, SUP 12 or SAE 9254
	Size (Leaf: length & width; Coil: design height & i.d.; Bar: length & diameter)	
	Spring rate N/mm (lb/in)	18.6 (106)
	Rate @ wheel N/mm (lb/in)	17.2 (98)
	Insulators (type & material)	Seat Rubbers (Top)
	If leaf	No. of leaves
Shackle (comp or tens)		"
Stabilizer	Type (link, linkless, frmless)	Link
	Material & O.D. bar/tube, wall thickness	SUP 9 Or SAE 9254
Track bar (type)		Not Applicable

MVMA Specifications

METRIC (U.S. Customary)

Vehicle Line Geo STORM
 Model Year 1993 Issued 9-82 Revised(*) _____

Model Code/Description And/Or
 Engine Code/Description
Brakes - Service

Geo STORM

Description		Hydraulic, Front: Disc Rear: Leading Trailing Self-Adjusting	
Manufacturer and brake type (std., opt., n.a.)	Front (disc or drum)	Disc	
	Rear (disc or drum)	Drum	
Valving type(prop, delay, metering, other)		Proportioning	
Power brake (std., opt., n.a.)		Standard	
Booster type(rmt, intgrl, vac., hyd., etc.)		Integral Vacuum Servo	
Vacuum	Source (inline, pump, etc.)	Inline	
	Reservoir (volume cu. in.)	Not Applicable	
	Pump-type		
O Traction assist	Operational speed range	Not Applicable	
	Type (engine or brake intervention)		
Antilock device	Front/rear (std., opt., n.a.)	Not Applicable	
	Manufacturer		
	Type (electronic, mech.)		
	Number sensors or circuits		
	No. antilock hyd. circuits		
	Integral or add-on system		
	Yaw control (yes, no)		
	Hydraulic power source		
Effective	area sq. cm. (sq. in.)*	Ft: 145.6 (22.6), Rr: 192 (29.8)	
	Gross Lng area sq cm (sq in)** (F/R)	Ft: 145.6 (22.6), Rr: 192 (29.8)	
	Swept area sq cm (sq in)** (F/R)	Ft: 1069 (165.7), Rr: 314 (48.7)	
Rotor	Outer working diameter	F/R	246 mm (9.69 in.)/-
	Inner working diameter	F/R	162.8 mm (6.41 in.)/-
	Thickness	F/R	22.0 mm (0.87 in.)/-
	Matl & type (vented/sld)	F/R	Cast Iron, Vented/-
Drum	Diameter & width	F/R	-/200 mm (7.87 in.) x 25 mm (0.98 in.)
	Type and material	F/R	-/Cast Iron
Wheel cylinder bore		Ft: 51.1 mm (2.0 in.), Rr: 15.9 mm (0.6 in.)	
Master cylinder	Bore/stroke	F/R	20.6mm (0.81 in.)/31.0mm (1.22 in.)
Pedal arc ratio		3.9:1	
Line pressure at 445 N (100 lb.) pedal load kPa (psi)		8924 kpa at 66.7 kpa Vacuum M/T/9904 kpa at 66.7 kpa Vacuum A/T	
Lining clearance		F/R	Self-Adjusting
Brake lining	Front wheel	Bonded or riveted	Bonded
		Rivet size	-
		Manufacturer	SUMITOMO
		Lining code *****	M9218HFF
		Material	Resin Molded (Asbestos Free)
		***** Pri. or out-brd	101.0 x 43.0 x 9.8 mm (4.0 x 1.7 x 0.38 in.)
		Size Sec. or in-brd	101.0 x 43.0 x 9.8 mm (4.0 x 1.7 x 0.38 in.)
	Shoe thcknss (no lng)	4.5 mm (0.18 in.)	
	Rear wheel	Bonded or riveted	Bonded
		Manufacturer	AKEBONO
		Lining code *****	AKL612FF
		Material	Resin Molded (Asbestos Free)
		***** Pri. or out-brd	192 x 25 x 4.5 mm (7.56 x 0.98 x 0.18 in.)
		Size Sec. or in-brd	192 x 25 x 4.5 mm (7.56 x 0.98 x 0.18 in.)
Shoe thcknss (no lng)		1.6 mm (0.06 in.)	

* Excludes rivet holes, grooves, chamfers, etc. **Includes rivet holes, grooves, chamfers, etc.
 *** Total swept area for four brakes. (Drum brake: Widest lining contact width for each brake x its contact circum.)
 (Disc brake: Square of Outer Working Dia. - Square of inner Working Dia. X Pi/2 for each brake.)
 **** Size for drum brakes includes length x width x thickness.
 ***** Manufacturer I.D., catalog for formulation designation and coefficient of friction classification.

MVMA Specifications

METRIC (U.S. Customary)

Vehicle Line Geo STORM
 Model Year 1993 Issued 9-92 Revised(*) _____

Model Code/Description And/Or
 Engine Code/Description
Brakes - Service

Geo STORM GSI

Description		Hydraulic, Front: Disc Rear: Leading Trailing Self-Adjusting			
Manufacturer and brake type (std., opt., n.a.)	Front (disc or drum)	Disc			
	Rear (disc or drum)	Drum			
Valving type(prop, delay, metering, other)		Proportioning			
Power brake (std., opt., n.a.)		Standard			
Booster type(rmt, intgrl, vac., hyd., etc.)		Integral Vacuum Servo			
Vacuum	Source (inline, pump, etc.)	Inline			
	Reservoir (volume cu. in.)	Not Applicable			
	Pump-type				
O Traction assist	Operational speed range	Not Applicable			
	Type (engine or brake intervention)				
Antilock device	Front/rear (std., opt., n.a.)	Not Applicable			
	Manufacturer				
	Type (electronic, mech.)				
	Number sensors or circuits				
	No. antilock hyd. circuits				
	Integral or add-on system				
	Yaw control (yes, no)				
Hydraulic power source					
Effective area sq. cm. (sq. in.)*	Ft: 145.6 (22.6), Rr: 192 (29.8)				
Gross Lng area sq cm (sq in)** (F/R)	Ft: 145.6 (22.6), Rr: 192 (29.8)				
Swept area sq cm (sq in)** (F/R)	Ft: 1069 (165.7), Rr: 314 (48.7)				
Rotor	Outer working diameter	F/R	246 mm (9.69 in.)/-		
	Inner working diameter	F/R	162.8 mm (6.41 in.)/-		
	Thickness	F/R	22.0 mm (0.87 in.)/-		
	Matt & type (vented/std)	F/R	Cast Iron, Vented/-		
Drum	Diameter & width	F/R	-/200 mm (7.87 in.) x 25 mm (0.98 in.)		
	Type and material	F/R	-/Cast Iron		
Wheel cylinder bore		Ft: 51.1 mm (2.0 in.), Rr: 15.9 mm (0.6 in.)			
Master cylinder	Bore/stroke	F/R	22.2 mm (0.87 in.)/31.0mm (1.22 in.)		
Pedal arc ratio		3.9:1			
Line pressure at 445 N (100 lb.) pedal load kPa (psi)		9218 kpa at 66.7 kpa Vacuum			
Lining clearance		F/R	Self-Adjusting		
Brake lining	Front wheel	Bonded or riveted		Bonded	
		Rivet size		-	
		Manufacturer		SUMITOMO	
		Lining code *****		M9218HFF	
		Material		Resin Molded (Asbestos Free)	
		***	Pri. or out-brd	101.0 x 43.0 x 9.8 mm (4.0 x 1.7 x 0.38 in.)	
		Size	Sec. or in-brd	101.0 x 43.0 x 9.8 mm (4.0 x 1.7 x 0.38in.)	
	Shoe thcknss.(no lng)		4.5 mm (0.18 in.)		
	Rear wheel	Bonded or riveted		Bonded	
		Manufacturer		AKEBONO	
		Lining code *****		AKL612FF	
		Material		Resin Molded (Asbestos Free)	
		***	Pri. or out-brd	192 x 25 x 4.5 mm (7.56 x 0.98 x 0.18 in.)	
		Size	Sec. or in-brd	192 x 25 x 4.5 mm (7.56 x 0.98 x 0.18 in.)	
Shoe thcknss (no lng)		1.6 mm (0.06 in.)			

* Excludes rivet holes, grooves, chamfers, etc. **Includes rivet holes, grooves, chamfers, etc.
 *** Total swept area for four brakes. (Drum brake: Widest lining contact width for each brake x its contact circum.)
 (Disc brake: Square of Outer Working Dia. - Square of inner Working Dia. X Pi/2 for each brake.)
 **** Size for drum brakes includes length x width x thickness.
 ***** Manufacturer I.D., catalog for formulation designation and coefficient of friction classification.

MVMA Specifications

Vehicle Line Geo STORM
 Model Year 1993 Issued 9-92 Revised(*) _____

METRIC (U.S. Customary)

Model Code/Description And/Or
 Engine Code/Description

Geo STORM	Geo STORM GSi
-----------	---------------

Tires And Wheels (Standard)

Tires	Size (service description)		P185/60R14 82H	P205/50R15 84V
	Type (bias, radial, etc.)		Radial (Mud And Snow)	Radial
	Inflation pressure (cold) for recommended max. vehicle load	Front kPa (psi)	30 (210)	32 (220)
		Rear kPa (psi)	30 (210)	32 (220)
	Rev/mile—at 70 km/h(45mph)		919	899
Wheels	Type & material		Wide Rim With Deep Bottom, Steel	Aluminum Alloy
	Rim (size & flange type)		14 x 5.5JJ	15 x 6JJ
	Wheel offset		40 (1.57)	
	Attachment	Type (bolt or stud & nut)	Nut	
		Circle diameter	100 mm (3.94 in.)	
Number & size		4, M12x1.5		
Spare	Tire and wheel		Tire: T115/70 D14 Wheel: 14x4T	
	Storage position & location (describe)		Flat Under Rear Load Floor	

Tires And Wheels (Optional)

○	Tire size (service description)	P185/60R14 82H
	Type (bias, radial, steel, nylon, etc.)	Radial
	Wheel (type & material)	Aluminum Alloy
	Rim (size, flange type and offset)	14 x 5.5 JJ
○	Tire size (service description)	-
	Type (bias, radial, steel, nylon, etc.)	-
	Wheel (type & material)	-
	Rim (size, flange type and offset)	-
○	Tire size (service description)	-
	Type (bias, radial, steel, nylon, etc.)	-
	Wheel (type & material)	-
	Rim (size, flange type and offset)	-
○	Tire size (service description)	-
	Type (bias, radial, steel, nylon, etc.)	-
	Wheel (type & material)	-
	Rim (size, flange type and offset)	-
	Spare tire and wheel size	-
	(if configuration is different than road tire or wheel, describe optional spare tire and/or wheel location & storage position)	

Brakes - Parking

Type of control		Grip Handle
Location of control		In Console Between Front Seats
Operates on		Rear Service Brakes
If separate from service brakes	Type (internal or external)	Not Applicable
	Drum diameter	-
	Lining size (length x width x thickness)	-

MVMA Specifications

Vehicle Line Geo STORM
 Model Year 1993 Issued 9-92 Revised(*) _____

METRIC (U.S. Customary)

Model Code/Description And/Or
 Engine Code/Description

Geo STORM	Geo STORM GSi
-----------	---------------

Steering

Manual (std., opt., n.a.)		Not Applicable		
Power (std., opt., n.a.)		Standard		
Speed-sensitive (std., opt., n.a.)				
4-wheel steering (std., opt., n.a.)				
Adjustable steering wheel/ column (tilt, telescope, other)	Type	-		
	Manufacturer (std., opt., n.a.)	-		
		Not Applicable		
Wheel diameter ** (W9) SAE J1100	Manual	382 mm (15.0 in.)		
	Power	382 mm (15.0 in.)		
Turning diameter m (ft.)	Out-side front	Wall to wall (l. & r.)	11.2 (36.7) 11.8 (38.7)	
		Curb to curb (l. & r.)	9.8 (32.2) 10.4 (34.1)	
	In-side rear	Wall to wall (l. & r.)	4.9 (16.1)	
		Curb to curb (l. & r.)	5.1 (16.7)	
Scrub Radius *		-5.0 mm (-0.20 in.)		
Manual	Gear	Type	-	
		Manufacturer	-	
		Ratios	Gear	-
			Overall	-
	No. wheel turns(stop to stop)		-	
Power	Type (coaxial, elec. hyd., etc.)		Coaxial	
	Manufacturer		JIDOSHA KIKI AND NIPPON POWER STEERING	
	Gear	Type	Rack And Pinion	
		Ratios	Gear	
			Overall	16.0:1 14.3:1
	Pump (drive)		Belt	
	No. wheel turns(stop to stop)		2.96 2.58	
Linkage	Type		Accar Man.	
	Location (front or rear of wheels, other)		Rear Of Wheels	
	Tie Rods (one or two)		2	
Steering axis	Inclination at camber (deg.)		10.2	
	Bear-ings (type)	Upper	Ball Bearing	
		Lower	Ball Bearing	
		Thrust	Not Applicable	
Steering spindle/knuckle & joint type		"		

* The horizontal distance in the front elevation between wheel centerline and kingpin (ball joint) axis at ground.
 ** See Page 22.

MVMA Specifications

METRIC (U.S. Customary)

Vehicle Line Geo STORM
 Model Year 1993 Issued 9-92 Revised(*) _____

Model Code/Description And/Or
 Engine Code/Description

Geo STORM

Wheel Alignment

Front wheel at curb mass (wt.)	Service checking	Caster (deg.)	4.5 (+/-) 30'
		Camber (deg.)	-30' (+/-) 1
		Toe-in outside track - mm (in.)	0 (+/-) 2
	Service reset*	Caster (deg.)	4.5 (+/-) 30'
		Camber (deg.)	-30' (+/-) 1
		Toe-in - mm(in.)	0 (+/-) 2
Periodic M.V. in-spection	Caster (deg.)	4.5 (+/-) 30'	
	Camber (deg.)	-30' (+/-) 1	
	Toe-in - mm(in.)	0 (+/-) 2	
Rear wheel at curb mass (wt.)	Service checking	Camber (deg.)	-30' (+/-) 1
		Toe-in outside track - mm (in.)	2 (+/-) 2
	Service reset*	Camber (deg.)	-30' (+/-) 1
		Toe-in - mm(in.)	2 (+/-) 2
	Periodic M.V. in-spection	Camber (deg.)	-30' (+/-) 1
		Toe-in - mm(in.)	2 (+/-) 2

* Indicates pre-set, adjustable, trend set or other.

Electrical - Instruments and Equipment

Speedometer	Type (analog, digital, std., opt.)	Analog, Standard
	Trip odometer (std., opt., n.a.)	Standard
Head-up display	Std., opt., not avail.	Not Applicable
	Type - Secondary, Opto-electronic	"
	Speedometer Digital	"
	Status/warn. indicators - Turn signals, high beam, low fuel, check gauges	"
	Brightness control Day/night mode, adj.	"
EGR maintenance indicator		
Charge indicator	Type	-
	Warning device (light, audible)	Tell-Tale Warning Light
Temperature indicator	Type	Analog Gauge With Pointer
	Warning device	-
Oil pressure indicator	Type	-
	Warning device	Tell-Tale Warning Light
Fuel indicator	Type	Analog Gauge With Pointer
	Warning device	-
Windshield wiper	Type (standard)	Electric 2-Speed
	Type (optional)	-
	Blade length	550 mm (21.7 in.)
	Swept area sq cm (sq in)	7390 (1145)
Windshield washer	Type (standard)	Electric
	Type (optional)	Not Applicable
	Fluid level indicator	"
Rear window wiper, wiper/washer (std., opt., n.a.)		"
Horn	Type	Electric Resonator
	Number used	2
Other		

MVMA Specifications

METRIC (U.S. Customary)

Vehicle Line Geo STORM
 Model Year 1993 Issued 9-92 Revised(*)

Model Code/Description And/Or
 Engine Code/Description

Geo STORM GSI

Wheel Alignment

Front wheel at curb mass (wt.)	Service checking	Caster (deg.)	4.5 (+/-) 30'
		Camber (deg.)	-30' (+/-) 1
		Toe-in outside track - mm (in.)	0 (+/-) 2
	Service reset*	Caster (deg.)	4.5 (+/-) 30'
		Camber (deg.)	-30' (+/-) 1
		Toe-in - mm(in.)	0 (+/-) 2
	Periodic M.V. inspection	Caster (deg.)	4.5 (+/-) 30'
		Camber (deg.)	-30' (+/-) 1
		Toe-in - mm(in.)	0 (+/-) 2
Rear wheel at curb mass (wt.)	Service checking	Camber (deg.)	-30' (+/-) 1
		Toe-in outside track - mm (in.)	2 (+/-) 2
	Service reset*	Camber (deg.)	-30' (+/-) 1
		Toe-in - mm(in.)	2 (+/-) 2
	Periodic M.V. inspection	Camber (deg.)	-30' (+/-) 1
		Toe-in - mm(in.)	2 (+/-) 2

* Indicates pre-set, adjustable, trend set or other.

Electrical - Instruments and Equipment

Speedometer	Type (analog, digital, std., opt.)	Analog, Standard	
	Trip odometer (std., opt., n.a.)	Standard	
Head-up display	Std., opt., not avail.	Not Applicable	
	Type - Secondary, Opto-electronic	"	
	Speedometer	Digital	"
	Status/warn. indicators - Turn signals, high beam, low fuel, check gauges	"	
	Brightness control	Day/night mode, adj.	"
EGR maintenance indicator			
Charge indicator	Type	Analog Gauge With Pointer	
	Warning device (light, audible)	-	
Temperature indicator	Type	Analog Gauge W/Pointer	
	Warning device	-	
Oil pressure indicator	Type	Analog Gauge W/Pointer	
	Warning device	-	
Fuel indicator	Type	Analog Gauge W/Pointer	
	Warning device	-	
Wind-shield wiper	Type (standard)	Electric 2-Speed	
	Type (optional)	Intermittent	
	Blade length	550 mm (21.7 in.)	
	Swept area, sq cm (sq in)	7390 (1145)	
Wind-shield washer	Type (standard)	Electric	
	Type (optional)	Not Applicable	
	Fluid level indicator	"	
Rear window wiper, wiper/washer (std., opt., n.a.)		Standard	
Horn	Type	Electric Resonator	
	Number used	2	
Other			

MVMA Specifications

Vehicle Line Geo STORM
 Model Year 1993 Issued 9-92 Revised(*) _____

METRIC (U.S. Customary)

Engine Code/Description

Geo STORM

Electrical - Supply System

Battery	Manufacturer	FURUKAWA DENCHI, NIPPON DENCHI, MATSUSHITA DENCHI		
	Model, std., (opt.)	55D23L		
	Voltage	12		
	Amps at 0 deg F cold crnk	356		
	Minutes-reserve capacity	99		
	Amps/hrs. - 20 hr. rate	80		
	Location	Engine Compartment Left Front		
Alternator	Manufacturer	NIPPON DENSO		
	Rating (idle/max. rpm)	75A		
	Ratio (alt. crank/rev.)	133/50		
	Output at idle (rpm, park)	-		
	Optional (type & rating)	Not Applicable		
Regulator	Type	Non-Contact Voltage Control Relay		

Electrical - Starting System

Motor	Manufacturer	NIPPON DENSO		
	Current drain deg C (F)	-		
	Power rating kw (hp)	1.0 (M/T), 1.2 (A/T)		
Motor drive	Engagement type	Solenoid		
	Pinion engages from (front, rear)	Front		

Electrical - Ignition System

Type	Electronic (std, opt., n.a.)	Standard		
	Other (specify)	Not Applicable		
Coil	Manufacturer	Delco Remy		
	Model			
	Current	Engine stopped-A		
		Engine idling - A		
Spark plug	Manufacturer	Nippon Denso	NGK	AC
	Model	W20EXR-U11	BPR6ES-11	R42XLS
	Thread (mm)	14 (0.55)	14 (0.55)	14 (0.55)
	Tightening torque Newton meters (lb. ft.)	18.6 +/- 4.9	18.6 +/- 4.9	18.6 +/- 4.9
	Gap	1.05 mm (0.04 in.)	1.05 mm (0.04 in.)	1.05mm (0.04in.)
	Number per cylinder	1		
Distributor	Manufacturer	Delco Remy		
	Model			

Electrical - Suppression

Locations & type	Resistive Cord Resistive Spark Plug
------------------	--

MVMA Specifications

Vehicle Line Geo STORM
 Model Year 1993 Issued 9-92 Revised(*) _____

METRIC (U.S. Customary)

Engine Code/Description

Geo STORM GSI

Electrical - Supply System

Battery	Manufacturer	FURUKAWA DENCHI, NIPPON DENCHI, MATSUSHITA DENCHI	
	Model, std., (opt.)	55D23L	
	Voltage	12	
	Amps at 0 deg F cold crnk	356	
	Minutes-reserve capacity	99	
	Amps/hrs. - 20 hr. rate	60	
	Location	Engine Compartment Left Front	
Alternator	Manufacturer	NIPPON DENSO	
	Rating (idle/max. rpm)	75A M/T, 80A A/T	
	Ratio (alt. crank/rev.)	133/57.5	
	Output at idle (rpm, park)	-	
	Optional (type & rating)	Not Applicable	
Regulator	Type	Non-Contact Voltage Control Relay	

Electrical - Starting System

Motor	Manufacturer	NIPPON DENSO	
	Current drain deg C (F)	-	
	Power rating kw (hp)	1.0 (M/T), 1.4 (A/T)	
Motor drive	Engagement type	Solenoid	
	Pinion engages from (front, rear)	Front	

Electrical - Ignition System

Type	Electronic (std, opt, n.a.)	Standard		
	Other (specify)	Not Applicable		
Coil	Manufacturer	Delco Remy		
	Model			
	Current	Engine stopped-A		
		Engine idling - A		
Spark plug	Manufacturer	Nippon Denso	NGK	
	Model	K20PRU11	BKR6E-11	
	Thread (mm)	14 (0.55)	14 (0.55)	
	Tightening torque Newton meters (lb. ft.)	18.6 +/- 4.9	18.6 +/- 4.9	
	Gap	1.05 mm (0.04 in.)	1.05 mm (0.04 in.)	
	Number per cylinder	1		
Distributor	Manufacturer	Delco Remy		
	Model			

Electrical - Suppression

Locations & type	Resistive Cord Resistive Spark Plug
------------------	--

MVMA Specifications

Vehicle Line Geo STORM
 Model Year 1993 Issued 9-92 Revised(*)

METRIC (U.S. Customary)

Model Code/Description

2 + 2 SPORT COUPE

Body

Structure	Monocoque Body
Bumper System Front - Rear	Large Plastic Type
Anti-Corrosion Treatment	Various Sealer, Wax Coat, Under Coat, Galvanized Steel

Body - Miscellaneous Information

Type of finish (lacquer, enamel, other)	Enamel	
Hood	Material & mass	Steel 11.9 (26.2)
	Hinge location (front, rear)	Rear
	Type (counterbalance, prop)	Prop
	Release control (int., ext.)	Internal
Trunk lid	Material & mass	-
	Type (counterbalance, other)	-
	Internal release control (elec., mech., n.a.)	-
Hatch-back lid	Material & mass	Steel, Glass 29 (64)
	Type (counterbalance, other)	Counterbalance
	Internal release control (elec., mech., n.a.)	Mechanical
Tailgate	Material & mass	-
	Type (drop, lift, door)	-
	Internal release control (elec., mech., n.a.)	-
Vent window control (crank, friction, pivot, power)	Front	Crank
	Rear	Not Applicable
Window regulator type (cable, tape, flex drive, etc.)	Front	X-Arm Type
	Rear	-
Seat cushion type (e.g., 80/40, bucket, bench wire, foam, etc.)	Front	Spring + Foam Pad
	Rear	Wire Frame + Foam Pad
	3rd seat	-
Seat back type (e.g., 80/40, bucket, bench, wire, foam, etc.)	Front	Spring + Foam Pad
	Rear	Panel Frame + Foam Pad
	3rd seat	-

Frame

Type and description (separate frame, unitized frame, partially-unitized frame)	Partially Unitized.
---	---------------------

MVMA Specifications

Vehicle Line Geo STORM
 Model Year 1993 Issued 9-92 Revised(*) _____

METRIC (U.S. Customary)

Model Code/Description

2 + 2 SPORT COUPE

Restraint System

Seating Position		Left	Center	Right
Active	Type & description (lap & shoulder belt, lap belt, etc.)	First seat 3-Pt. Seat Belt With E.L.R. - Standard		3-Pt. Seat Belt With E.L.R. - Standard
		Second seat 3-Pt. Seat Belt With E.L.R. - Standard		3-Pt. Seat Belt with E.L.R. - Standard
	Standard/ optional	Third seat		
Passive	Type & description (air bag, motorized, 2-point belt, fixed belt, knee bolster, manual-lap belt)	First seat Air Bag With Knee Bolster - Standard		
		Second seat		
	Standard/ optional	Third seat		

Glass	SAE Ref No	
Windshield glass exposed surface area sq.cm.(sq.in.)	S1	10642 (1650)
Side glass exposed surface area sq. cm. (sq. in.) - total 2- sides	S2	9058 (1404)
Backlight glass exposed surface area sq.cm.(sq.in.)	S3	14293 (2215)
Total glass exposed surface area sq. cm. (sq. in.)	S4	33993 (5269)
<input type="radio"/> Windshield glass (type/thickness)		Laminated Glass, 4.7 mm
<input type="radio"/> Side glass (type/thickness)		Tempered Glass, 4.0 mm
<input type="radio"/> Backlight glass (type/thickness)		Tempered Glass, 4.0 mm
<input type="radio"/> Tinted (yes/no, location)		Yes, All
<input type="radio"/> Solar control (yes/no, coated/batched, location)		No

Headlamps

Description - sealed beam, halogen, replaceable bulb, etc.	Sealed Beam, Halogen
Shape	Rectangular
Lo-beam type (2A1, 2B1, 2C1, etc.)	H4351
Quantity	2
Hi-beam type (1A1, 2A1, 1C1, 2C1, etc.)	H4352
Quantity	2

MVMA Specifications

Vehicle Line Geo STORM
 Model Year 1993 Issued 9-92 Revised _____

METRIC (U.S. Customary)

Engine Code/Description

ALL

Climate Control System

Air conditioning (std., opt., man., auto.)

Condenser	Type	Parallel Flow Type
	Eff. face area (sq. mm.)	21 x 303 x 596
	Fins per inch	14 (Fin Pitch 1.8)
Evaporator	Type	Laminata Louver Fin Type
	Eff. face area (sq. mm.)	235 x 224 x 74
	Fins per inch	7 (Fin Pitch 3.6)
Heater Core	Material	A1
	Eff. face area (sq. mm.)	161 x 163 x 45
	Fins per inch	21 (Fin Pitch 1.2)
Compressor	Type	Vane Rotary Type
	Displacement (cc)	140
	Manufacturer	ZEXEL USA
	A/C pulley ratio	1.064
Accumulator	Type	
	Height (mm.)	
	Diameter (mm.)	
Receiver	Type	Assembly Includes Sight Glass With Triple Pressure Switch
	Height (mm.)	158.5
	Diameter (mm.)	60.5
Refrigerant control (CCOT, TVS, etc.)		CCEV
Heater water valve (yes / no)		No
Refrigerant (R - 12, R - 134a, etc.)		R-12
Charge level (lbs. - oz.)		1.32 lbs. (21.12 oz.)
Cold engine lockout switch (yes / no)		No
Wide open throttle cutout switch (yes / no)		Yes

MVMA Specifications

Vehicle Line Geo STORM
 Model Year 1993 Issued 9-92 Revised(*) _____

METRIC (U.S. Customary)

Model Code/Description

Geo STORM

Geo STORM GSi

Convenience Equipment (standard, optional, n.a.)

	Clock (digital, analog)	Optional, Digital (In Radio)
	Compass / thermometer	Not Applicable
	Console (floor, overhead)	Standard, Floor
O	Defroster, electric windshield	Not Applicable
	Defroster, electric backlight	Standard, Rear Electrical Defogger
Electronic	Diagnostic monitor (integrated, individual)	Standard, Tell-Tale Warning Light
	Instrument cluster (list instruments)	Not Applicable
	Keyless entry	"
	Tripminder (avg. spd. fuel)	"
	Voice alert (list items)	"
	Other	"
	Fuel door lock (remote, key, electric)	"
Lamps	Auto head on/off delay, dimming	"
	Cornering	"
	Courtesy (map, reading)	"
	Door lock, ignition	"
	Engine compartment	"
	Fog	Standard
	Glove compartment	"
	Trunk	Standard (Luggage)
	Illuminated entry system (list lamps, activation)	Not Applicable
	Other	Standard, Dome Lamp
Mirrors	Day / night (auto. man.)	Standard, Manual
	L.H. (remote, pwr., heated)	Standard, Manual Remote
	R.H. (convex, rmt, pwr, htd)	Standard, Convex Manual Remote
	Visor vanity (RH/LH illum.)	Standard, RH
	Navigation system (describe)	Not Applicable
	Prkg. brake—auto release (warn. light)	Not Applicable

MVMA Specifications

Vehicle Line Geo STORM
 Model Year 1993 Issued 9-92 Revised(*) _____

METRIC (U.S. Customary)

Model Code/Description

ALL

Convenience Equipment (standard, optional, n.a.)

NOT APPLICABLE

Power equipment	Deck lid(release, pull down)		
	Door locks (manual, auto., describe system)		
	Seats	2 - 4 - 6 way, etc.	
		Reclining(R.H., L.H.)	
		Memory (R.H., L.H., preset, recline)	
		Support (lumbar, hip, thigh, etc.)	
		Heated (R.H., L.H., other)	
	Side windows		
	Vent windows		
	Rear windows		
Radio systems	Antenna (location, whip, w/shield, power)		Standard, On Roof Front - Left, Non-Power
	Stan.		AM/FM Stereo
	Opt.	AM, FM, stereo, tape, compact disc, graphic equalizer, theft deterrent, radio prep package, headphone jacks, etc.	AM/FM Stereo, Cassette AM/FM Stereo, Cassette & CD
	Speaker (number, location)		Standard, Ft: 2 Speakers Rr: 2 Speakers
Roof: open air or fixed (flip-up, sliding, "T")			Not Applicable
Speed control device			Not Applicable
Speed warn. dev. (light, buzzer, etc.)			Not Applicable
Tachometer (rpm)			Standard
Telephone system (describe)			Not Applicable
Theft deterrent system			Lock Mounted On Steering Column, Lock Steering Wheel Automatic Transmission, Shift Lever And Ignition

Trailer Towing

Towing capable	Yes / No	No
Engine/transmission/axle	Std / Opt	
Tow class (I, II, III)*	Std / Opt	
Max. gross trailer wgt. (lbs.)	Std / Opt	
Max. trailer tongue load (lbs.)	Std / Opt	
Towing package available	Yes / No	

* Class I - 2,000 lbs. Class II - 3,500 lbs. Class III - 5,000 lbs.

MVMA Specifications

Vehicle Line Geo STORM
 Model Year 1993 Issued 9-92 Revised(*) _____

METRIC (U.S. Customary)

Vehicle Dimensions See Key Sheets for definitions

All dimensions to ground are for comparative purposes only. Dimensions are to be shown for all base body models of each vehicle line. SAE Ref. no. refers to the definition published in SAE Recommended Practice J1100 'Motor Vehicle Dimensions,' unless otherwise specified.

Model Code/Description

2+2 SPORT CPE

GSi 2+2 SPORT CPE

Width

SAE Ref. No.

	SAE Ref. No.	
Tread (front)	W101	1430 (56.3)
Tread (rear)	W102	1401 (55.2)
Vehicle width	W103	1694 (66.69)
Body width at Sg RP (front)	W117	1683 (66.26)
Vehicle width (front doors open)	W120	3883 (152.9)
Vehicle width (rear doors open)	W121	-
Tumble-home (deg.)	W122	26.7
Outside mirror width	W410	1949 (76.7)

Length

	SAE Ref. No.	
Wheelbase	L101	2450 (96.5)
Vehicle length	L103	4166 (164.0)
Overhang (front)	L104	970 (38.2)
Overhang (rear)	L105	748 (29.4)
Upper structure length	L123	2712 (106.8)
Rear wheel C/L "X" coordinate	L127	2251.5 (88.6)

Height **

	SAE Ref. No.		
Passenger distribution (front/rear)	PD1,2,3	2/0	**
Trunk/cargo load		30 (66)	**
Vehicle height	H101	1298 (51.1)	
Cowl point to ground	H114	904 (35.6)	
Deck point to ground	H138	946 (37.2)	
Rocker panel-front to ground	H112	202 (8.0)	
Rocker panel-rear to ground	H111	202 (8.0)	
Windshield slope angle (deg.)	H122	64.1	
Backlight slope angle (deg.)	H121	72.0	

Ground Clearance **

	SAE Ref. No.		
Front bumper to ground	H102	216 (8.5)	
Rear bumper to ground	H104	251 (9.9)	
Bumper to ground front at curb mass (wt.)	H103	235 (9.3)	
Bumper to ground rear at curb mass (wt.)	H105	273 (10.7)	
Angle of approach (deg.)	H106	16	14.2
Angle of departure (deg.)	H107	24.1	
Ramp breakover angle (deg.)	H147	12.9	
Axle differential to ground (front/rear)	H153	-	
Min. running ground clearance	H156	131 (5.2)	
Location of min. run. grd. clear.		Under Floor Converter	

** All Vehicle Height And Ground Clearance Are Made Using EPA Loaded Vehicle Weight, Loading Conditions.

EPA Loaded Vehicle Weight is the Base Vehicle Weight Plus All Coolant and Fluids Necessary For Operation Plus 100% Of The Fuel Capacity, Plus The Weight Of All Options And Accessories Which Weigh Three Pounds Or More And Which Are Sold On At Least 33% Of The Car Line, Plus Two Occupants.

All Linear Dimensions Are In Millimeters (Inches)

MVMA Specifications

Vehicle Line Geo STORM
 Model Year 1993 Issued 9-92 Revised(*)

METRIC (U.S. Customary) Vehicle Dimensions

See Key Sheets for Definitions

Model Code/Description

2 + 2 SPORT COUPES

Front Compartment

SAE Ref. No.

SgRP front, 'X' coordinate	L31	1149 (45.2)
Effective head room	H61	952 (37.5)
Max. eff. leg room (accelerator)	L34	1113 (43.8)
SgRP to heel point	H30	177 (7.0)
SgRP to heel point	L53	938 (36.8)
Back angle (deg.)	L40	25
Hip angle (deg.)	L42	98
Knee angle (deg.)	L44	140
Foot angle (deg.)	L48	87
Design H-point front travel	L17	230 (9.1)
Normal driving & riding seat track trvl.	L23	230 (9.1)
Shoulder room	W3	1354 (53.3)
Hip room	W5	1292 (50.9)
*** Upper body opening to ground	H50	1161 (45.7)
Steering wheel maximum diameter*	W9	382 (15.0)
Steering wheel angle (deg.)	H18	20.1
Accel. heel pt. to steer. whl. cntr	L11	554 (21.8)
Accel. heel pt. to steer. whl. cntr	H17	564 (22.2)
Undepressed floor covering thickness	H67	25 (1.0)

Front Compartment Int. Dim. Are Measured With The Seating Ref. Pt.
 (SgRP) mm Forward And 2.3 mm Upward of Rearmost Position.

Rear Compartment

SgRP point couple distance	L50	679 (26.7)
Effective head room	H63	810 (31.9)
Min. effective leg room	L51	771 (30.4)
SgRP(second to heel)	H31	283 (11.0)
Knee clearance	L48	-23 (-0.91)
Shoulder room	W4	1301 (51.2)
Hip room	W8	1084 (42.7)
*** Upper body opening to ground	H51	-
Back angle (deg.)	L41	28
Hip angle (deg.)	L43	87.8
Knee angle (deg.)	L45	88.6
Foot angle (deg.)	L47	141.1
Depressed floor covering thickness	H73	10 (0.4)

Luggage Compartment

Usable luggage capacity [L (cu. ft.)]	V1	-
*** Litter height	H195	931 (36.7)

Interior Volumes (EPA Classification)

Vehicle class		Subcompact
Interior volume index (cu. ft.)**		89.38
Trunk / cargo index (cu. ft.)		10.97

* See page 14.

** Includes passenger and trunk / cargo index - see definition page 33.

*** EPA Loaded Vehicle Weight, Loading Conditions
 All Linear Dimensions Are in Millimeters (Inches)

MVMA Specifications

Vehicle Line Geo STORM
 Model Year 1993 Issued 9-92 Revised(*) _____

METRIC (U.S. Customary) Vehicle Dimensions

See Key Sheets for Definitions

Model Code/Description

2 + 2 SPORT COUPE

Station Wagon / MPV** - Third Seat

SAE Ref. No. (NOT APPLICABLE)

	SAE Ref. No.	(NOT APPLICABLE)
Seat facing direction	SD1	
SgRP couple distance	L85	
Shoulder room	W85	
Hip Room	W88	
Effective leg room	L86	
Effective head room	H86	
SgRP to heel point	H87	
Knee clearance	L87	
Back angle (deg.)	L88	
Hip angle (deg.)	L89	
Knee angle (deg.)	L90	
Foot angle (deg.)	L91	

Station Wagon / MPV** Cargo Space

(NOT APPLICABLE)

		(NOT APPLICABLE)
Cargo length (open front)	L200	
Cargo length (open second)	L201	
Cargo length (closed front)	L202	
Cargo length (closed second)	L203	
Cargo length at belt (front)	L204	
Cargo length at belt (second)	L205	
Cargo width (wheelhouse)	W201	
Rear opening width at floor	W203	
Opening width at belt	W204	
Min. rear opening width above belt	W205	
Cargo height	H201	
Rear opening height	H202	
Tailgate to ground height	H250	
Front seat back to load floor height	H197	
Cargo volume index cu. m. (cu.ft.)	V2	
Hidden cargo vol. index cu. m.(cu.ft.)	V4	
Cargo volume index-rear of 2-seat	V10	
Cargo volume index**	V8	
Cargo width at floor**	W500	
Maximum cargo height**	H505	

Hatchback - Cargo Space

Cargo length at front seatback height	L208	1153 (45.4)
Cargo length at floor (front)	L209	1394 (54.9)
Cargo length at second seatback height	L210	433 (17.0)
Cargo length at floor (second)	L211	728 (28.7)
Front seatback to load floor height	H197	373 (14.7)
Second seatback to load floor height	H198	441 (16.2)
Cargo volume index cu. m. (cu. ft.)	V3	0.619 (21.84)
Hidden cargo vol. index cu. m. (cu.ft.)	V4	-
Cargo volume index-rear of 2-seat	V11	0.313 (10.97)

* EPA Loaded Vehicle Weight, Loading Conditions

** MPV - Multipurpose Vehicle

All Linear Dimensions Are In Millimeters (Inches)

MVMA Specifications

Vehicle Line Geo STORM
 Model Year 1993 Issued 9-92 Revised(*) _____

METRIC (U.S. Customary)

Model Code/Description ALL MODELS

Vehicle Fiducial Marks

Fiducial Mark Number *	Define Coordinate Location
------------------------	----------------------------

Front The Center Of The Hole (16) On The Front Side Member

Rear The Center Of The Hole (13) On The Rear Side Member.
 (Note: The Rearmost One Of The Drain Holes.)

NOTE: Provide 3 of 4 Fiducial Mark Locations

Front	W21**	403 (15.9)
	L54**	250 (9.8)
	H81**	337 (13.2)
	*** H181**	177 (7.0)
	*** H183**	157 (6.2)

Rear	W22**	481 (18.1)
	L55**	2594 (102.1)
	H82**	563 (22.2)
	*** H182**	405 (15.9)
	*** H184**	384 (15.1)

- * Reference - SAE Recommended Practice, J182, Motor Vehicle Fiducial Marks.
 - ** Reference - SAE Recommended Practice J1100 - Motor Vehicle Dimensions.
 - *** EPA Loaded Vehicle Weight, Loading Conditions
- All Linear Dimensions Are in Millimeters (Inches)

MVMA Specifications

METRIC (U.S. Customary)

Vehicle Line Geo STORM
 Model Year 1993 Issued 9-92 Revised _____

Code		Model		VEHICLE MASS (weight)				% PASS MASS DISTRIBUTIC				
				CURB MASS, kg. (lb.)*			SHIPPING MASS kg (lb) ***	ETWC** Code	PASS IN FRONT		PASS IN REAR	
				Front	Rear	Total			Front	Rear	Front	Rear
1RF77	2+2 Sport coupe	M/T	655 (1444)	388 (855)	1043 (2299)	1017 (2242)	N	45	55	25	75	
		A/T	675 (1488)	384 (847)	1059 (2335)	1033 (2278)						
1RT77	GSI 2+2 Sport Coupe	M/T	706 (1556)	414 (913)	1120 (2469)	1094 (2412)	O	45	55	25	75	
		A/T	746 (1645)	407 (897)	1153 (2542)	1127 (2485)						

* Reference - SAE J1100 Motor vehicle dimensions, curb weight definition.
 ** ETWC - Equivalent Test Weight Class - basis for U.S. Environmental Protection Agency emission certifications.
 Refer to ETWC code legend below for test weight class.

ETWC LEGEND

- | | | | |
|----------|----------|----------|-----------|
| A = 1000 | I = 2000 | Q = 3000 | Y = 4000 |
| B = 1125 | J = 2125 | R = 3125 | Z = 4250 |
| C = 1250 | K = 2250 | S = 3250 | AA = 4500 |
| D = 1375 | L = 2375 | T = 3375 | BB = 4750 |
| E = 1500 | M = 2500 | U = 3500 | CC = 5000 |
| F = 1625 | N = 2625 | V = 3625 | DD = 5250 |
| G = 1750 | O = 2750 | W = 3750 | EE = 5500 |
| H = 1875 | P = 2875 | X = 3875 | FF = 5750 |

*** Shipping Mass (weight) = Curb Weight Less:

26 (57)

MVMA Specifications
METRIC (U.S. Customary)

Vehicle Line Geo STORM
 Model Year 1993 Issued 9-92 Revised(*)

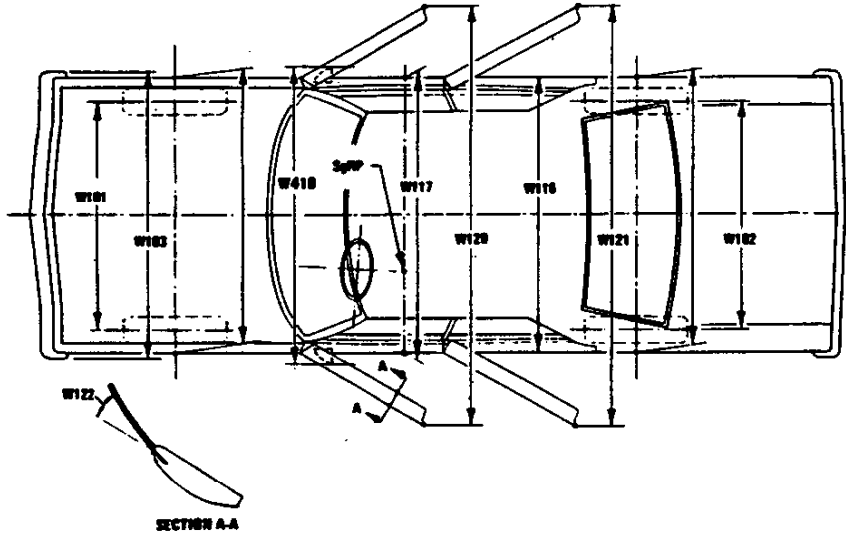
Code	Equipment	Optional Equipment Differential Mass (weight)*			Restrictions, Requirements Remarks
		MASS, kg. (lb.)			
		Front	Rear	Total	
C60	Air Conditioning	20.4 (45.0)	-2.0 (-4.4)	18.4 (40.6)	

* Also see Engine - General Section for dressed engine mass (weight).

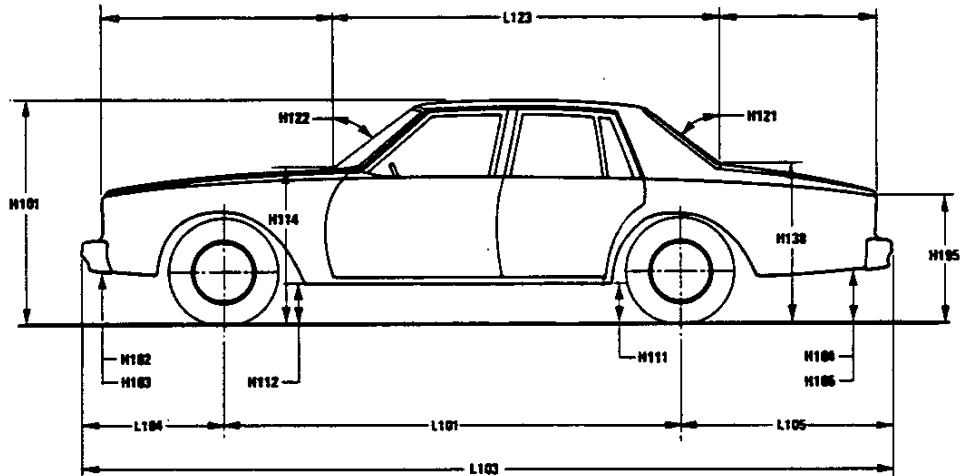
MVMA Specifications
METRIC (U.S. Customary)

Exterior Vehicle And Body Dimensions – Key Sheet

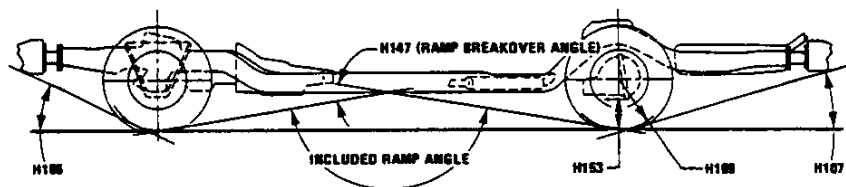
Exterior Width



Exterior Length & Height



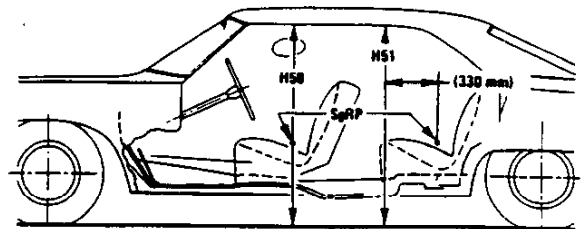
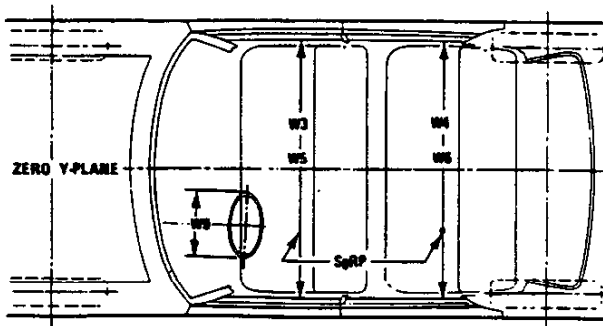
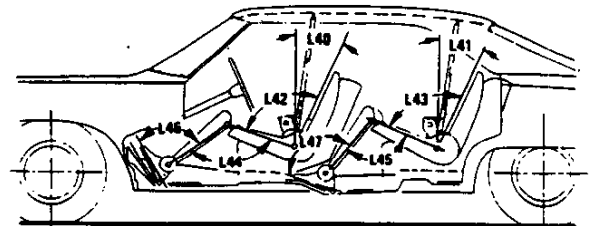
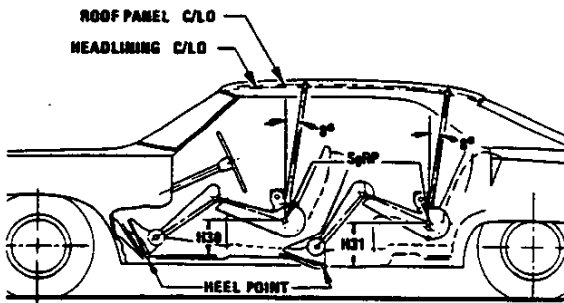
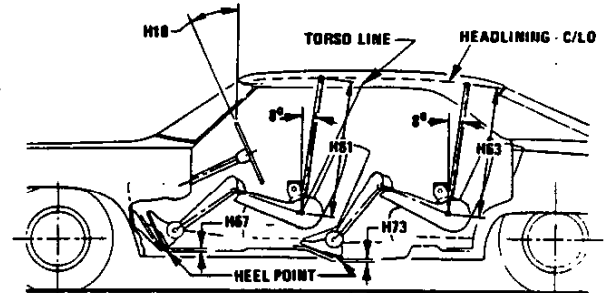
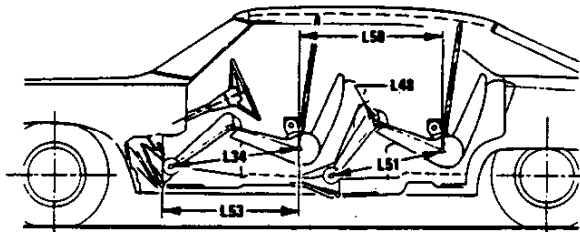
Exterior Ground Clearance



MVMA Specifications Form

METRIC (U.S. Customary)

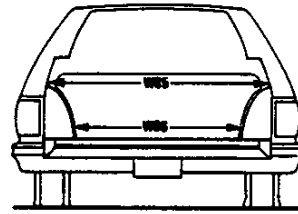
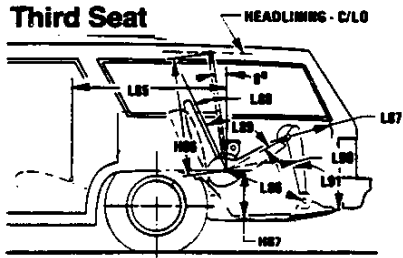
Interior Vehicle And Body Dimensions - Key Sheet



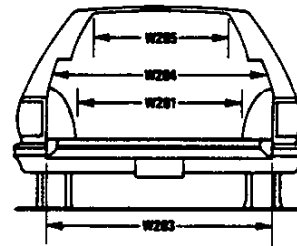
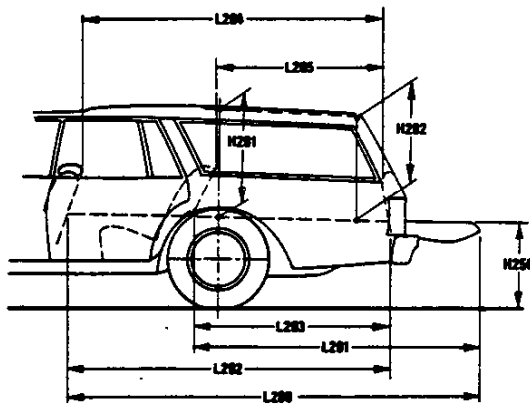
MVMA Specifications

METRIC (U.S. Customary)

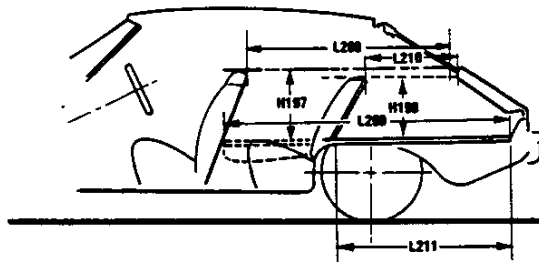
Interior Vehicle And Body Dimensions – Key Sheet



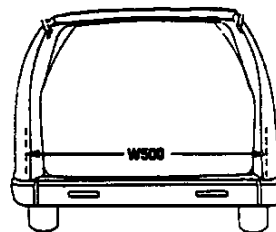
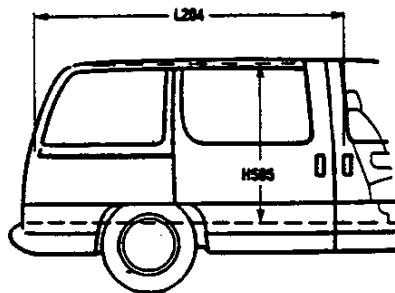
Cargo Space



Station Wagon



Hatchback



Multipurpose Vehicle

MVMA Specifications

METRIC (U.S. Customary)

Exterior Vehicle And Body Dimensions – Key Sheet Dimensions Definitions

Seating Reference Point

SEATING REFERENCE POINT means the manufacturer's design reference point which –

- (a) Establishes the rearmost normal design driving or riding position of each designated seating position in a vehicle;
- (b) Has coordinates established relative to the design vehicle structure;
- (c) Simulates the position of the pivot center of the human torso and thigh; and
- (d) Is the reference point employed to position the two dimensional templates described in SAE Recommended Practice J826, "Devices for Use in Defining and Measuring Vehicle Seating Accommodations."

Width Dimensions

- W101 TREAD – FRONT. The dimension measured between the tire centerlines at the ground.
- W102 TREAD – REAR. The dimension measured between the tire centerlines at the ground. In case of dual wheels, the dimension will be measured to the centerline of tire and wheel assemblies.
- W103 VEHICLE WIDTH. The maximum dimension measured between the widest point on the vehicle, excluding exterior mirrors, flexible mud flaps, marker lamps, but including bumpers, moldings, sheet metal protrusions or dual wheels, if standard equipment.
- W117 BODY WIDTH AT SgRP – FRONT. The dimension measured laterally between the widest points on the body at the SgRP-front, excluding door handles, applied moldings, or appliques.
- W120 VEHICLE WIDTH – FRONT DOORS OPEN. The dimension measured between the widest point on the front doors in maximum hold-open position.
- W121 VEHICLE WIDTH – REAR DOORS OPEN. The dimension measured between the widest point on the rear doors in maximum hold-open position. For vehicles with a rear door on only one side, this dimension is to the zero "Y" plane.
- W122 TUMBLE – HOME. STRAIGHT SIDE GLASS. The angle measured from a vertical to the outside surface of the front door glass at the SgRP "X" plane.
CURVED SIDE GLASS. The angle measured from a vertical to a chord extending from the upper DLO to the lower DLO at the outside surface of the front door glass at the front SgRP "X" plane.
- W410 OUTSIDE MIRROR WIDTH: The dimension between the widest point on the outside mirrors. The standard right and left mirror adjusted for normal driving will be shown unless otherwise noted. When only one outside mirror is standard, the dimension will be to the zero "Y" plane.

Length Dimensions

- L101 WHEELBASE (WB). The dimension measured longitudinally between front and rear wheel centerlines. In case of dual rear axles, the dimension shall be to the midpoint of the centerlines of the rear wheels.
- L103 VEHICLE LENGTH. The maximum dimension measured longitudinally between the foremost point and the rearmost point on the vehicle, including bumper, bumper guards, tow hooks and/or rub strips, if standard equipment.
- L104 OVERHAND – FRONT. The dimension measured longitudinally from the centerline of the front wheels to the foremost point on the vehicle including bumper, bumper guards, tow hooks and/or rub strips, if standard equipment.
- L105 OVERHANG – REAR. The dimension measured longitudinally from the centerline of the rear wheels; or in the case of dual rear axles, the dimension shall be the midpoint of the centerlines of the rear wheels, to the rearmost point on the vehicle including rear bumpers, bumper guards, tow hooks and rub strips, if standard equipment.

- L123 UPPER STRUCTURE LENGTH. The dimension measured longitudinally from the cowl point to the deck point.
- L127 REAR WHEEL CENTERLINE "X" COORDINATE or in the case of dual rear axles, the coordinate shall be the midpoint of the distance between the rear axle centerlines.

Height Dimensions

- H101 VEHICLE HEIGHT. The dimension measured vertically from the highest point on the vehicle body to ground.
- H111 ROCKER PANEL – REAR TO GROUND. The dimension measured vertically from the bottom of the rocker or side quarter panel at the front of the rear wheel opening, excluding flanges, to ground.
- H112 ROCKER PANEL – FRONT TO GROUND. The dimension measured vertically from the foremost point on the bottom of the rocker panels, excluding flanges, to ground.
- H114 COWL POINT TO GROUND. Measured at zero "Y" plane.
- H121 BACKLIGHT SLOPE ANGLE. The angle between the vertical reference line and the surface of backlight at vehicle zero "Y" plane. For curve backlight, the angle is to chord of backlight arc from lower DLO to upper DLO.
- H122 WINDSHIELD SLOPE ANGLE. The angle between the vertical reference line and a chord of the windshield arc running from the lower DLO to the upper DLO at the vehicle zero "Y" plane. In the case of wrap over glass, the angle to be measured will be formed by a chord 457 mm (18.0 in.) long drawn from the lower DLO to the intersecting point on the windshield.
- H138 DECK POINT TO GROUND. Measured at zero "Y" plane.
- H109 STATIC LOAD – TIRE RADIUS – REAR. Specified by the manufacturer in accordance with composite TIRE SECTION STANDARD.

Ground Clearance Dimensions

- H102 FRONT BUMPER TO GROUND. The minimum dimension measured vertically from the lowest point on the front bumper to ground, including bumper guards, if standard equipment.
- H103 FRONT BUMPER TO GROUND – CURB MASS (WT.). Measured in the same manner as H102.
- H104 REAR BUMPER TO GROUND. The minimum dimension measured vertically from the lowest point on the rear bumper to ground, including bumper guards, if standard equipment.
- H105 REAR BUMPER TO GROUND – CURB MASS (WT.). Measured in the same manner as H104.
- H106 ANGLE OF APPROACH. The angle measured between a line tangent to the front tire static loaded radius arc and the initial point of structural interference forward of the front tire to ground. The limiting structural component shall be designated.
- H107 ANGLE OF DEPARTURE. The angle measured between a line tangent to the rear tire static loaded radius arc and the initial point of structural interference rearward of the rear tire to ground. The limiting component shall be designated.
- H147 RAMP BREAKOVER ANGLE. The angle measured between two lines tangent to the front and rear tire static loaded radius and intersecting at a point on the underside of the vehicle which defines the largest ramp over which the vehicle can roll.
- H153 REAR AXLE DIFFERENTIAL TO GROUND. The minimum dimension measured from the rear axle differential to ground.
- H156 MINIMUM RUNNING GROUND CLEARANCE. The minimum dimension measured from the sprung vehicle to ground. Specify location.

MVMA Specifications

METRIC (U.S. Customary)

Interior Vehicle And Body Dimensions – Key Sheet Dimensions Definitions

Glass Areas

- S1 Windshield area.
- S2 Side windows area. Includes the front door, rear door, vents, and rear quarter windows on both sides of the vehicle.
- S3 Backlight areas.
- S4 Total area. Total of all areas (S1 + S2 + S3).

Fiducial Mark Dimensions

- Fiducial Mark – Number 1**
- L54 "X" coordinate.
- W21 "Y" coordinate.
- H81 "Z" coordinate.
- H161 Height "Z" coordinate to ground at curb weight.
- H163 Height "Z" coordinate to ground.
- Fiducial Mark – Number 2**
- L55 "X" coordinate.
- W22 "Y" coordinate.
- W82 "Z" coordinate.
- H162 Height "Z" coordinate to ground at curb weight.
- H164 Height "Z" coordinate to ground.

Front Compartment Dimensions

- L11 ACCELERATOR HEEL POINT TO STEERING WHEEL CENTER. The dimension measured horizontally from the AHP to the intersection of the steering column centerline and a plane tangent to the upper surface of the steering wheel rim.
- L17 DESIGN H-POINT – FRONT TRAVEL. The dimension measured horizontally between the design H-point – front in the foremost and rearmost seat track positions. (See SAE J1100)
- L23 NORMAL DRIVING AND RIDING SEAT TRACK TRAVEL. The dimension measured horizontally between a point on the design H-point travel line from the SgRP to the displaced point on the design H-point travel line with the seat moved to the foremost seat position, but not to include seat track travel used for purposes other than normal driving and riding positions. (See SAE J1100).
- L31 SgRP – FRONT. "X" COORDINATED.
- L34 MAXIMUM EFFECTIVE LEG ROOM – ACCELERATOR. The dimension measured along a line from the ankle pivot center to the SgRP – front plus 254 mm (10.0 in.) measured with right foot on the undepressed accelerator pedal. For vehicles with SgRP to heel (H30) greater than 18 in., the accelerator pedal may be depressed as specified by the manufacturer. If the accelerator is depressed, the manufacturer shall place foot flat on pedal and note the depression of the pedal.
- L-40 BACK ANGLE – FRONT. The angle measured between a vertical line through the SgRP – front and the torso line. If the seatback is adjustable, use the normal driving and riding position specified by the manufacturer.
- L-42 HIP ANGLE – FRONT. The angle measured between torso line and thigh centerline.
- L44 KNEE ANGLE – FRONT. The angle measured between thigh centerline and lower leg centerline measured on the right leg.
- L46 FOOT ANGLE – FRONT. The angle measured between the lower leg centerline and a line tangent to the ball and heel of the bare foot flesh line measured on the right leg. Ref SAE J826.
- L53 SgRP – FRONT TO HEEL. The dimension measured horizontally from the SgRP – front to the accelerator heel point.
- W3 SHOULDER ROOM – FRONT. The minimum dimension measured laterally between the trimmed surfaces on the "X" plane through the SgRP – front at height between the belt line and 254 mm (10.0 in.) above the SgRP – front, excluding the door assist strap and attaching parts.

- W5 HIP ROOM – FRONT. The minimum dimension measured laterally between the trimmed surfaces on the "X" plane through the SgRP – front within 25 mm (1.0 in.) below and 76 mm (3.0 in.) above the SgRP – front and 76 mm (3.0 in.) fore and aft of the SgRP – front.
- W9 STEERING WHEEL MAXIMUM OUTSIDE DIAMETER. Define if other than round.
- H7 ACCELERATOR HEEL POINT TO THE STEERING WHEEL CENTER. The dimension measured vertically from the AHP – front to the intersection of the steering column centerline to a plane tangent to the upper surface of the steering wheel rim.
- H18 STEERING WHEEL ANGLE. The angle measured from a vertical to the surface plane of the steering wheel.
- H30 SgRP – FRONT TO HEEL. The dimension measured vertically from the SgRP – front to the accelerator heel point.
- H50 UPPER BODY OPENING TO GROUND – FRONT. The dimension measured vertically from the trimmed body opening to the ground on the SgRP – front "X" plane.
- H61 EFFECTIVE HEAD ROOM – FRONT. The dimension measured along a line 8 deg. rear of vertical from the SgRP – front to the headlining plus 102 mm (4.0 in.).
- H67 FLOOR COVERING THICKNESS – UNDEPRESSED – FRONT. The dimension measured vertically from the surface of the undepressed floor covering to the underbody sheet metal at the accelerator heel point.

Rear Compartment Dimensions

- L-41 BACK ANGLE – SECOND. The angle measured between a vertical line through the SgRP – second and the torso line.
- L43 HIP ANGLE – SECOND. The angle measured between torso line and thigh centerline.
- L45 KNEE ANGLE – SECOND. The angle measured between thigh centerline and lower leg centerline.
- L47 FOOT ANGLE – SECOND. The angle measured between lower leg centerline and a line tangent to the ball and heel of the three-dimensional devices bare foot flesh line (Reference J826).
- L48 KNEE CLEARANCE – SECOND. The minimum dimension measured from the knee pivot center to the back of the front seatback minus 51 mm (2.0 in.).
- L50 SgRP COUPLE DISTANCE – SECOND. The dimension measured horizontally from the driver SgRP – front to the SgRP – second.
- L51 MINIMUM EFFECTIVE LEG ROOM – SECOND. The dimension measured along a line from the ankle pivot center to the SgRP – second plus 254 mm (10.0 in.).
- W4 SHOULDER ROOM – SECOND. The minimum dimension measured laterally between door or quarter trimmed surfaces on the "X" plane through the SgRP – second at height between 254-406 mm (10.0-16.0 in.) above the SgRP – second, excluding the door assist straps and attaching parts.
- W6 HIP ROOM – SECOND. Measured in the same manner as W5.
- H31 SgRP – SECOND TO HEEL. The dimension measured vertically from the SgRP – second to the two dimensional device heel point on the depressed floor covering.
- H51 UPPER BODY OPENING TO GROUND – SECOND. The dimension measured vertically from the trimmed body opening to the ground on the "X" plane 330 mm (13.0 in.) forward of the SgRP – second.
- H63 EFFECTIVE HEAD ROOM – SECOND. The dimension measured along a line 8 deg. rear of vertical from the SgRP to the headlining, plus 102 mm (4.0 in.).
- H73 FLOOR COVERING – DEPRESSED – SECOND. The dimension measured vertically from the heel point to the underbody sheet metal.

MVMA Specifications

METRIC (U.S. Customary)

Interior Vehicle And Body Dimensions – Key Sheet Dimensions Definitions

Luggage Compartment Dimensions

- V1 USABLE LUGGAGE CAPACITY – Total of volumes of individual pieces of standard luggage set plus H-boxes stowed in the luggage compartment in accordance with the procedure described in paragraph 8.2 of SAE-J1100a.

Interior Volumes (EPA Classification)

The Interior Volume Index is listed for each body style except two seaters. The Interior Volume Index estimates the space in a car. It is based on four measurements – head room, shoulder room, hip room, and leg room – for the front and rear seats, plus trunk capacity.

The Trunk/Cargo Index is an estimate of the size of the trunk/cargo space. In station wagons and hatchbacks it is an estimate of the space behind the second seat.

Station Wagon / MPV – Third Seat Dimensions

- L85 SgRP COUPLE DISTANCE – THIRD. The dimension measured horizontally from the SgRP – second to the SgRP – third.
- L86 EFFECTIVE LEG ROOM – THIRD. The dimension measured along a line from the ankle pivot center to the SgRP – third plus 254 mm (10.0 in.).
- L87 KNEE CLEARANCE – THIRD. The minimum dimension from the knee pivot center to the back of second seatback minus a constant of 51 mm (2.0 in.). With rear-facing third seat, dimension is measured to closure.
- L88 BACK ANGLE – THIRD. Measured in the same manner as L41.
- L89 HIP ANGLE – THIRD. Measured in the same manner as L43.
- L90 KNEE ANGLE – THIRD. Measured in the same manner as L45.
- L91 FOOT ANGLE – THIRD. Measured in the same manner as L47.
- W85 SHOULDER ROOM – THIRD. Measured in the same manner as W4.
- W86 HIP ROOM – THIRD. Measured in the same manner as W5.
- H86 EFFECTIVE HEAD ROOM – THIRD. The dimension, measured along a line 8 deg. from the SgRP – third to the headlining rear of vertical plus a constant of 102 mm (4.0 in.).
- H87 SgRP – THIRD TO HEEL POINT.
- SD1 SEAT FACING DIRECTION – THIRD.

Station Wagon / MPV – Cargo Space Dimensions

- L200 CARGO LENGTH – OPEN – FRONT. The minimum dimension measured longitudinally from the back of the front seatback at the height of the undepressed floor covering to the rearmost point on the undepressed floor covering on the open tailgate or cargo surface if the rear closure is a conventional door type tailgate at the zero "Y" plane.
- L201 CARGO LENGTH – OPEN – SECOND. The dimension measured longitudinally from the back of the second seatback at the height of the undepressed floor covering to the rearmost point on the undepressed floor covering on the open tailgate or cargo floor surface if the rear closure is a conventional door type tailgate, at the zero "Y" plane.

- L202 CARGO LENGTH – CLOSED – FRONT. The minimum dimension measured horizontally from the back of the front seat at the height of the undepressed floor covering to the rearmost point on the undepressed floor covering on the closed tailgate or taildoor for station wagons, trucks and mpv's at the zero "Y" plane.
- L203 CARGO LENGTH – CLOSED – SECOND. The dimension measured horizontally from the back of the second seat at the height of the undepressed floor covering to the rearmost point on the undepressed floor covering on the closed tailgate or taildoor for station wagons, trucks and mpv's at the zero "Y" plane.
- L204 CARGO LENGTH AT BELT – FRONT. The minimum dimension measured horizontally from the back of the front seatback at the seatback top to the foremost normal surface of the closed tailgate or inside surface of the cab backpanel at the height of the belt, on the zero "Y" plane.
- L205 CARGO LENGTH AT BELT – SECOND. The minimum dimension measured horizontally from the back of the second seatback at the seatback top to the foremost normal surface of the closed tailgate at the height of the belt, on the zero "Y" plane.
- W201 CARGO WIDTH – WHEELHOUSE. The minimum dimension measured laterally between the trimmed wheelhousings at floor level. For any vehicle not trimmed, measure to the sheet metal.
- W203 REAR OPENING WIDTH AT FLOOR. The minimum dimension measured laterally between the limiting interferences of the rear opening at floor level.
- W204 REAR OPENING WIDTH AT BELT. The minimum dimension measured laterally between the limiting interferences of the rear opening at belt height or top of pick up box.
- W205 REAR OPENING WIDTH ABOVE BELT. The minimum dimension measured laterally between the limiting interferences of the rear opening above the belt height.
- W500 CARGO WIDTH AT FLOOR. The maximum dimension measured laterally between the limiting interferences at the floor level. This dimension shall include ribs and pillars, but will exclude wheelhouses.
- H197 FRONT SEATBACK TO LOAD FLOOR HEIGHT. The dimension measured vertically from the horizontal tangent to the top of the seatback to the undepressed floor covering.
- H201 CARGO HEIGHT. The dimension measured vertically from the top of the undepressed floor covering to the headlining at the rear wheel "X" coordinate on the zero "Y" plane.
- H202 REAR OPENING HEIGHT. The dimension measured vertically from the top of the undepressed floor covering to the upper trimmed opening on the zero "Y" plane with rear door fully open.
- H250 TAILGATE TO GROUND CURB MASS (WT.). The dimension measured vertically from the top of the undepressed floor covering on the lowered tailgate to ground on the zero "Y" plane.
- H505 MAXIMUM CARGO HEIGHT. The maximum vertical dimension rear of the front seat from the cargo floor to roof bow or headlining at the zero "Y" plane.

MVMA Specifications

METRIC (U.S. Customary)

Interior Vehicle And Body Dimensions – Key Sheet Dimensions Definitions

V2 STATION WAGON

Measured in inches:

$$\frac{W4 \times H201 \times L204}{1728} = \text{ft}^3$$

Measured in mm:

$$\frac{W4 \times H201 \times L204}{10^9} = \text{m}^3 \text{ (cubic meter)}$$

V4 HIDDEN LUGGAGE CAPACITY – REAR OF FRONT SEAT.

The total volumes of individual pieces of one set of standard luggage stowed in any hidden cargo area below the load floor rear of the front seat.

V5 TRUCKS AND MPV'S WITH OPEN AREA.

Measured in inches:

$$\frac{L506 \times W505 \times H503}{1728} = \text{ft}^3$$

Measured in mm:

$$\frac{L506 \times W500 \times H503}{10^9} = \text{m}^3 \text{ (cubic meter)}$$

V6 TRUCKS AND MPV'S WITH CLOSED AREA.

Measured in inches:

$$\frac{L204 \times W500 \times H505}{1728} = \text{ft}^3$$

Measured in mm:

$$\frac{L204 \times W500 \times H505}{10^9} = \text{m}^3 \text{ (cubic meter)}$$

V8 HIDDEN LUGGAGE CAPACITY – REAR OF SECOND SEAT.

The total volume of individual pieces of one set of standard luggage stowed in any hidden cargo area below the load floor rear of the second seat.

V10 STATION WAGON CARGO VOLUME INDEX.

Measured in inches:

$$\frac{H201 \times L205 \times \frac{W4 + W201}{2}}{1728} = \text{ft}^3$$

Measured in mm:

$$\frac{H201 \times L205 \times \frac{W4 + W201}{2}}{10^9} = \text{m}^3 \text{ (cubic meter)}$$

Hatchback – Cargo Space Dimensions

All hatchback cargo dimensions are to be taken with the front seat in full down and rear position, and the rear seat folded down. The hatchback door is in the closed position. (For electronically adjusted seats, see the manufacturer's specifications for Design "H" Point).

L208 CARGO LENGTH AT FRONT SEATBACK HEIGHT. The minimum horizontal dimension from the "X" plane tangent to the rearmost surface of the driver's seatback to the inside limiting interference of the hatchback door on the vehicle zero "Y" plane.

L209 CARGO LENGTH AT FLOOR – FRONT. The minimum horizontal dimension measured at floor level from the rear of the front seatback to the normal limiting interference of the hatchback door on the vehicle zero "Y" plane.

L210 CARGO LENGTH AT SECOND SEATBACK HEIGHT. The minimum dimension measured from the "X" plane tangent to the rearmost surface of second seatback or the load floor which is stowed at least one half of the H198 dimension height above the rear load floor, to the rearmost inside limiting interference on the zero "X" plane.

L211 CARGO LENGTH AT FLOOR – SECOND SEATBACK. The minimum horizontal dimension measured at floor level from the rear of the second seatback or load floor panel to the normal limiting interference of the hatchback door on the vehicle zero "Y" plane.

H197 FRONT SEATBACK TO LOAD HEIGHT. The dimension measured vertically from the horizontal tangent to the top of the seatback to the undepressed floor covering.

H198 SECOND SEATBACK TO LOAD FLOOR HEIGHT: The dimension measured vertically from the second seatback to the undepressed floor covering.

V3 HATCHBACK.

Measured in inches:

$$\frac{\frac{L208 + L209}{2} \times W4 \times H197}{1728} = \text{ft}^3$$

Measured in mm:

$$\frac{\frac{L208 + L209}{2} \times W4 \times H197}{10^9} = \text{m}^3 \text{ (cubic meter)}$$

V4 HIDDEN LUGGAGE CAPACITY – REAR OF FRONT SEAT. The total volumes of individual pieces of one set of standard luggage stowed in any hidden cargo area below the load floor rear of the front seat.

V11 HATCHBACK CARGO VOLUME INDEX. Usable luggage (one (1) stand and luggage set) below floor:
Measured in inches:

$$\frac{\frac{L210 + L211}{2} \times W4 \times H198}{1728} = \text{ft}^3$$

Measured in mm:

$$\frac{\frac{L210 + L211}{2} \times W4 \times H198}{10^9} = \text{m}^3 \text{ (cubic meter)}$$

MVMA Specifications

METRIC (U.S. Customary)

Index

Subject	Page No.	Subject	Page No.
Alternator	16	Passenger Capacity	1
Axle Drive, Front, Rear, All Four	2, 9, 10	Passenger Mass Distribution	26
Axle Shafts	10	Pistons	3
Battery	16	Power Brakes	12
Body and Miscellaneous Information	17	Power, Engine	2
Brakes - Parking Service	12, 13	Power Steering	14
Camber	15	Power Teams	2
Camshaft	3	Propeller Shaft	10
Capacities		Pumps - Fuel	6
Cooling System	5	Water	5
Fuel Tank	6	Radiator - Cap, Hoses, Core	5
Lubricants		Ratios - Axle, Transaxle	2, 9, 10
Engine Crankcase	4	Compression	2
Transmission / Transaxle	8, 9	Steering	14
Rear Axle	10	Transmission / Transaxle	2, 8, 9
Carburetor	2, 6	Rear Axle	2, 10
Caster	15	Regulator - Alternator	16
Climate Control System	19	Restraint System	18
Clutch - Pedal Operated	8	Rims	13
Coil, Ignition	16	Rods - Connecting	4
Connecting Rods	4	Scrub Radius	14
Convenience Equipment	20-21	Seats	17
Cooling System	5	Shock Absorbers, Front & Rear	11
Crankshaft	4	Spark Plugs	16
Cylinders and Cylinder Head	3	Speedometer	15
Diesel Information	4	Springs - Front & Rear Suspension	11
Dimension Definitions		Stabilizer (Sway Bar) - Front & Rear	11
Key Sheet - Exterior	28, 31, 32	Starting System	16
Key Sheet - Interior	29, 30, 32, 33, 34	Steering	14
Electrical System	15, 16	Suppression - Ignition, Radio	16
Emission Controls	7	Suspension - Front & Rear	11
Engine - General		Tail Pipe	7
Bore, Stroke, Type	3	Theft Protection	21
Compression Ratio	2	Thermostat, Cooling	5
Displacement	2, 3	Tires	13
Firing Order, Cylinder Numbering	3	Toe-In	15
General Information, Power & Torque	2	Torque Converter	9
Intake System	4	Torque - Engine	2, 8, 9
Power Teams	2	Trailer Towing	21
Exhaust System	7	Transaxle	9
Equipment Availability, Convenience	20	Transmission - Types	2, 8, 9
Fan, Cooling	5	Transmission - Automatic	2, 9
Filters - Engine Oil, Fuel System	4	Transmission - Manual	2, 8
Four Wheel Drive	10	Transmission - Ratios	2, 8, 9
Frame	17	Tread	22
Front Suspension	11	Trunk Cargo Load	1
Front Wheel Drive Unit	10	Trunk Luggage Capacity	23
Fuel Economy, EPA	1	Turning Diameter	14
Fuel Injection	6	Unitized Construction	18
Fuel System	6	Universal Joints, Propeller Shaft	10
Fuel Tank	6	Valve System	4
Glass	18	Vehicle Dimensions	
Headlamps	18	Width	22
Headroom - Body	23, 24	Length	22
Heights	22	Height	22
Horns	15	Ground Clearance	22
Horsepower - Brake	2	Front Compartment	23
Ignition System	16	Rear Compartment	23
Inflation - Tires	13	Luggage Compartment	23
Interior Volumes	23	Station Wagon - Third Seat	24
Instruments	15	Station Wagon - Cargo Space	24
Legroom	23, 24	Hatchback - Cargo Space	24
Lengths	22	Fiducial Marks	25
Leveling, Suspension	11	Voltage Regulator	16
Lifters, Valve	4	Water Pump	5
Linings - Clutch, Brake	8, 12	Weights	26, 27
Lubrication - Engine Transmission / Transaxle	4, 8, 9	Wheel Alignment	15
Luggage Compartment	23	Wheelbase	22
Models	1	Wheels & Tires	13
Motor Starting	16	Wheel Spindle	14
Muffler	7	Widths	22
Origin	1	Windshield	18
		Windshield Wiper and Washer	15



1
2
3

4

5

6

7

8

9

10

11

12

