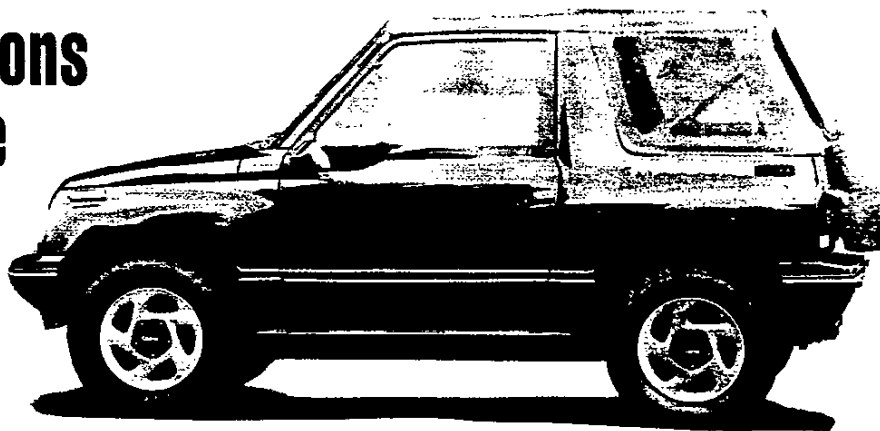




Now available ...

Tracker Expressions Color Appearance Packages



All Trimmed up
and Ready for Fun!

Cool colors and hot sales appeal!

These eye-catching Tracker Convertible "Expressions" color appearance packages will attract a lot of attention at your dealership. They offer another exciting way for your Tracker prospects to express their individuality and stand out from the crowd — qualities which fit the typical Tracker buyer perfectly! Already solid competitors in the mini-utility market, Tracker Convertibles now take on even hotter appeal among this important buyer segment.

Target your Tracker buyers!

They're youthful (median age 33 yrs.), predominately female, moderately affluent (\$45,000 average income), and well-educated (32% college grads). They are active young buyers who want to project a fun, outgoing image — yet are still practical and price-sensitive. They fall into several important categories:

- Style-driven buyers looking for a vehicle with a distinctive look.
- Image buyers who want a vehicle that makes a statement about their attitudes and lifestyles.
- Style/economy optimizers with a limited budget who want something different or "special" for the money. (The color appearance packages will really hit some hot buttons among

these first three categories!)

- Second-choice buyers who actually want more expensive sport utility vehicles or trucks but can't afford them.

How to sell 'em!

Emphasize the sporty, high-energy flair and distinctive "personalized" look these packages add to Tracker's already "fun-to-drive, fun-to-be-seen-in" image. Also highlight new-for-'94 Tracker features such as the convenient new console cup holders, Expressive cloth seat trim and stereo cassette/CD players. Don't forget to mention that Tracker is the lowest-priced convertible model Chevrolet Geo offers. Be sure to enumerate other welcome features like its rear-wheel anti-lock brakes,* full-size lockable spare tire, versatility, maneuverability and rugged durability.

And point out how easy Tracker is to own: a very low, affordable sticker price; outstanding fuel efficiency; and the Chevrolet Geo Customer Care package, which includes an extensive, no-deductible 3-year/36,000-mile limited warranty,[†] Chevrolet Geo round-the-clock Roadside Assistance and Courtesy Transportation at participating dealers.

*Operates in 2WD mode only.

[†]See your dealer for terms of this limited warranty.

Place your orders early in time for spring delivery when interest in convertibles is traditionally highest.

Price schedule:

Base Convertible —	MSRP	\$499
LSI Convertible —	MSRP	\$425

NOTE: Prices subject to change. Please refer to the Dealer Order Guide for PEG and additional options.

Base Models



Green Top/
White

Green Top/
Tropical Green Metallic

Green Top/
Black Licorice



Blue Top/
White

Blue Top/
Sky Blue Metallic

Blue Top/
Black Licorice

Plan now to order your Tracker Expressions color appearance packages.



Tan Top/
White

Tan Top/
Black Licorice

Tan Top/
Brilliant Red Metallic



Green Top/
White

Green Top/
Black Licorice

Green Top/
Tropical Green Metallic



Blue Top/
White

Blue Top/
Black Licorice

Put more sizzle into your spring selling season!

Order today!



1
2



1994 Tracker

ORDERING INFORMATION

Focus Vehicle for 1994 is the Geo Tracker 4x4 Convertible. This versatile sport utility vehicle is highly maneuverable and features designed-in curability. When equipped with the recommended PEG 2 (TBA2), this model represents the best opportunity for high-volume Geo Tracker sales at your dealership.

Feature Vehicle is the Geo Tracker Convertible (further detailed on the following sheet).

Safety and Security

■ **Rear-Wheel Anti-Lock Brakes**—help reduce rear wheel lockup for steering control during severe braking situations, even on slippery roads ■ **Power Front Disc/Rear Drum Brakes**—provide sure stopping power with minimal pedal effort ■ **Center High-Mounted Stop Lamp**—provides additional signal to following drivers of braking intention to reduce chance of rear-end collision ■ **Full-Size Outside Rear-Mounted Lockable Spare Tire and Wheel**—prevents theft while allowing easy removal for emergency roadside repair

Performance

■ **1.6 Liter Single Overhead Camshaft 4-Cylinder Engine with Electronic Fuel Injection**—delivers high fuel efficiency and durability (MFI in California) ■ **Five-Speed Manual Transmission with 5th Gear Overdrive**—allows driver to select best gear for any driving condition. Overdrive gear reduces RPM at cruising speeds, thereby increasing fuel economy and reducing engine wear ■ **MacPherson Strut Front/Solid Axle, Coil Spring Rear Suspension**—positions a coil spring at each wheel providing optimum ride and handling characteristics ■ **Tachometer**—provides engine RPM readout for optimum shift points (N/A 2WD) ■ **Front Manual Locking Hubs**—allow owner to manually lock wheels for 4x4 use

Appearance

■ **15" Styled Wheels with Center Caps**—offer an attractive wheel design ■ **Black Dual Outside Rearview Mirrors**—provide a sporty, bolder appearance ■ **Body-Color Grille**—adds a contemporary front-end look ■ **Full Carpeting (including cargo area)**—also provides increased passenger comfort, reduces noise and adds to appearance of interior. Trunk carpeting also reduces noise and protects items from damage while driving

Comfort and Convenience

■ **Optional CFC-Free Air Conditioning**—quickly cools interior for maximum occupant comfort and contains no ozone-depleting CFCs ■ **Easy-Entry Driver and Passenger Bucket Seats**—seat slides forward for convenient access to back seats ■ **Intermittent Fixed Wipers**—now standard on all models, allow driver to match wiper speed to weather conditions ■ **Two Position Convertible Top**—makes top removal and storage simple and convenient ■ **Fold-and-Stow Rear Bench Seat**—allows easy access to rear compartment and increases cargo area ■ **Center Console with Cupholders and Storage Tray**—provides convenient storage and access to beverages for front seat occupants ■ **Trip Odometer**—a resettable gage that allows driver to monitor miles of a trip

Easy-To-Own

■ **Scotchgard™ Fabric Protector**—on seats: resists stains and makes cleanup easy ■ **GM's Bumper-to-Bumper Plus 3-year/36,000-mile Warranty**—with no deductible, provides owner with worry-free driving ■ **Chevrolet/Geo Roadside Assistance**—provides 24-hour assistance via toll-free hotline

FEATURE VEHICLE: TRACKER CONVERTIBLE



RED ■ : New Feature
BLACK ■ : Focus Vehicle Feature



FOCUS
VEHICLE:
TRACKER 4
CONVERTIB

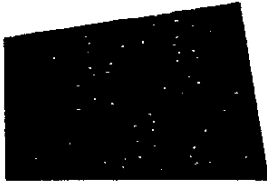
94 Tracker

Trim Color/Seat Style Availability

Custom Cloth
available in Dark Charcoal

Linear Cloth
available in Dark Charcoal

Expressive Cloth
available in Dark Charcoal



Reclining High-Back
Bucket Seats

Reclining High-Back
Bucket Seats



Four Most Popular Exterior Colors By Percentage

Below are the anticipated four most popular Tracker colors for 1994 based on national sales volume. They are listed for reference only. To identify the top selling colors in your area, by model, use the Retail Sales Analysis (RSA).



Mystic Magenta Metallic 25%
 Black Licorice 16%
 Bright Red 15%
 White 12%

Four Most Popular Exterior Colors with Corresponding Interior Color Availability

		I N T E R I O R		
		Dark Charcoal Custom	Dark Charcoal Linear	Dark Charcoal Expressive
E X T E R I O R	Mystic Magenta Metallic	■	■	■
	Black Licorice	■	■	
	Bright Red	■	■	
	White	■	■	

NOTE: Tracker has three new interior fabrics and three new exterior colors: Sky Blue Metallic, Tropical Green Metallic and Shadow Gray Metallic.

Wheels



Tracker standard 15"
styled steel wheel
with center cap



Tracker LSi standard 15"
LSi styled steel wheel
with center cap



Newly designed 15"
optional aluminum alloy wheel

'94 Tracker

Geo Tracker Feature Availability

	LSI 4WD/ 4WD Conv.	4WD/ 4WD Conv.	2WD Conv.
1.6L SOHC L4 EFI	S1	S1	S
1 1.6L SOHC L4 MFI	S2	S2	S2
5-Speed Manual Transmission	S	S	S
3-Speed Automatic Transmission	O	O	O
P205/75R-15 All-Season Blackwall Tires	S	S	N/A
P195/75R-15 All-Season Blackwall Tires	N/A	N/A	S
Rear Wheel Anti-Lock Brakes	S	S	S
MacPherson Strut Front Suspension	S	S	S
Rear Solid Coil Suspension	S	S	S
Power Steering	S	O	O
Rear Window Defogger	S3	S3	N/A
Dual Outside Manual Mirrors	S	S	S
Scotchgard™ Fabric Protector	S	S	S
Front Automatic Locking Hubs	S	N/A	N/A
Front Manual Locking Hubs	N/A	S	N/A
Transfer Case	O	O	N/A
Skid Plates	S	S	N/A
Center Console with Cupholders and Storage Tray	S	S	S
Front and Rear Floor Mats	S	O	O
Full Carpeting	S	S	S
Spare Tire Cover	S	S	S
Tilt Steering Wheel	O	O	O
AM/FM Stereo Radio	S	O	O
AM/FM Stereo Radio with Cassette	O	O	O
AM/FM Stereo Radio with Cassette and Compact Disc Player	O	O	O
CFC-Free Air Conditioning	O	O	O
Body-Side Moldings	S	O	O

S=Standard

O=Optional

N/A=Not Available

1 Requires FE9 Federal Emissions

2 Requires NG1 New York State or YF5 California Emissions

3 N/A convertible

Additional Information on Significant Features

- One of the new additions to the many accident avoidance features offered on the Geo Tracker is the center high-mounted stop lamp. It provides improved visibility to other drivers and is an important factor in avoiding rear-end collisions.
- The Tracker's rear-wheel anti-lock brakes enhance the power front disc/rear drum brakes by reducing rear-wheel lockup, increasing steering control and reducing stopping distances on most surfaces. When speed sensors determine rear-wheel speed changes, the Electronic Control Unit activates the anti-lock system by modulating brake fluid pressure to the rear wheels.
- A Dual Playback Cassette/CD Stereo System is now available for 1994. It includes an electronically tuned AM/FM stereo radio w/seek-scan, tone select, a stereo cassette tape, a compact disc player, dual front and rear speakers and a built-in theft deterrent.

Deletions and Rationale

- The optional 15" alloy wheel from 1993 is being replaced this year with a newly designed aluminum wheel...definitely an attractive addition to the Tracker's long list of accessories and options.
- Power steering is standard due to overwhelming customer demand - 97%.

TRACKER

REVISED: 1-10-94

1994 ORDER GUIDE

TRACKER
Page 1

Prices Shown Are Manufacturer's Suggested Retail Prices (MSRP) At The Time Of Publication. These Prices Are To Be Used Only As An Aid To Inventory Management Since MSRP Figures Change Periodically. The Vehicle Price Schedule Is The Official Pricing Documentation Of Chevrolet Motor Division And Should Be Used In Discussing Vehicle Prices With Potential Buyers. The Model Prices Shown In The Order Guide Include The Destination Freight Charges.

Geo SPECIFICATIONS—1994 TRACKER

MODELS

PASSENGERS

Geo Tracker 2WD Convertible (CE10367)	2/4
Geo Tracker 2-Door 4x4 Convertible (CJ10367)	4
Geo Tracker 2-Door 4x4 Hardtop (CJ10316)	4
Geo Tracker 2-Door 4x4 LSi Convertible (CJ10367) ..	4
Geo Tracker 2-Door 4x4 LSi Hardtop (CJ10316)	4

DIMENSIONS (inches)

EXTERIOR

Wheelbase	86.6
Length (overall)	142.5
Width (overall)	64.2
Height (overall)	65.0

INTERIOR

Head Room-Front/Rear	Convertible 39.5/38.3
.....	Tracker 40.0/38.1
Shoulder Room-Front/Rear	Base Models 52.2/50.2
.....	LSi 51.6/50.2
Hip Room-Front/Rear	Base Models 51.8/41.9
.....	LSi 51.6/41.9
Leg Room-Front/Rear	42.1/31.7

CARGO CAPACITY (cu. ft.)

Cargo Volume Index	
with Rear Seat Up	Convertible 8.9
.....	Tracker 8.7
with Rear Seat Stowed	Convertible 31.0
.....	Tracker 31.4

RATED FUEL TANK CAPACITY (gallons) 11.1

CURB WEIGHT (approx. lbs)

.....	2WD Convertible 2189
.....	4x4 Convertible 2365
.....	Tracker 2387

STANDARD EQUIPMENT SUMMARY

EXTERIOR

Antenna - Radio
 Brakes - Power Front Disc/Rear Drum
 Brakes - Rear-Wheel Anti-Lock
 Bumpers - Front and Rear with Integral Rub Strip, Black
 Engine - 1.6 Liter Single Overhead Camshaft 4-Cylinder Electronic Fuel Injection (Avail w/FE9 Emission only)
 Engine - 1.6 Liter Single Overhead Camshaft 16-Valve 4-Cylinder Multi-Port Fuel Injection (Avail w/YF5 Calif or NG1 NY Emission only)
 Exhaust - Stainless Steel
 Headlamps - Composite Halogen
 Hubs - Front Manual Locking
 Mirrors - Dual Outside, Black
 Spare Tire Cover - Black
 Spare Tire and Wheel - Outside, Full-Size, Rear-Mounted, Lockable
 Suspension - Front, MacPherson Strut (Separate Coil Springs)
 Suspension - Rear, Rigid Axle w/Lower Trailing Arm & Upper A Shape Arm
 Tailgate - Swing-Open Right-Hand Hinged Door with Lock
 Tires - P195/75R-15 All-Season Steel-Belted Radial Blackwall (2WD only)
 Tires - P205/75R-15 All-Season Steel-Belted Radial Blackwall (4x4 only)
 Tow Hooks - Front and Rear
 Transfer Case
 Transmission - 5-Speed Manual with 5th Gear Overdrive
 Wheels - Styled Steel with Center Caps
 Wipers - Intermittent Fixed

INTERIOR

Assist Grips - Front and Rear Passenger
 Cargo Area Trim
 Carpeting - Full, Includes Cargo Area
 Console - Center with Cupholders and Storage Tray
 Defogger - Rear Window (N/A Convertible)
 Gauge - Tachometer (4x4 only)
 Gauge - Trip Odometer
 Light - Dome, 3-Position
 Lighter/Power Socket
 Mirror - Inside Day/Night Rearview
 Restraint System - Front Lap-Shoulder Belts
 Restraint System - Rear Outboard Lap-Shoulder Belts
 Scotchgard™ Fabric Protector on Cloth Seats
 Seat - Rear Bench, Fold-and-Stow (4x4 only)
 Seats - Easy-Entry, Driver and Passenger
 Seats - Front Bucket, High-Back Reclining with Integral Head Restraints
 Seat Trim - Cloth Bolsters and Vinyl Seat-Backs
 Steering Wheel - Self-Aligning
 Storage Bins - Driver and Passenger Door

Geo SPECIFICATIONS —1994 TRACKER

STANDARD EQUIPMENT SUMMARY

The following equipment is in addition to or replaces items included in the Standard Equipment Summary

TRACKER LSi EXTERIOR

Bumpers - Front and Rear with Integral Rub Strip, Body-Color
Door Handles - Body Color
Hubs - Front Automatic Locking
Mirrors - Dual Outside, Body-Color
Moldings - Body-Side, Black
Steering - Power
Wheels - LSi Styled Steel with LSi Steel Spare
(N/A w/Expressions Color Appearance Package)
Wiper/Washer - Rear Window (N/A Convertible)

TRACKER LSi INTERIOR

Door Trim - Full-Coverage Molded Trim w/Armrest
Floor Mats - Front and Rear
Glass - Tinted
Headliner - Molded Cloth (N/A Convertible)
Radio - Electronically Tuned AM/FM Stereo Radio
w/Seek, Digital Clock and Four Speakers
Seats - Front Bucket, Reclining with Adjustable Head Restraints
Seat Trim - Custom Cloth Facings and Side Bolsters and Cloth/Vinyl Seat-Backs
Seats - Rear Bucket, Adjustable, Flip/Fold/Stow

11,315.00 **TRACKER 2WD CONVERTIBLE MODEL CE10367**

*Includes Destination & Handling Charges

MUST SPECIFY: ENGINE, TRANSMISSION, EMISSIONS, SEATING, TOP COLOR
MUST ORDER ONE GROUP-NO DELETIONS ALLOWED

N.C.	Preferred Equipment Group 1 (Refer Standard Equipment Page)	TCA1 x	TCA2 x
581.00	Preferred Equipment Group 2 Electronically Tuned AM/FM Stereo Radio w/Seek. Digital Clock and Four Speakers Steering - Power		x x

ADDITIONAL OPTIONS

ACKNOWLEDGEMENTS		RADIO EQUIPMENT	
N.C.	R8S Multiple Order Numbers	V.P.S.	UL1 Electronically Tuned AM/FM Stereo Radio w/Seek, Digital Clock and Four Speakers (Incl w/Group TCA2)
N.C.	R8T Preliminary Invoice		
745.00	C60 AIR CONDITIONING: (Incls R134a Refrigerant)	V.P.S.	UL0 Electronically Tuned AM/FM Stereo Radio w/Seek-Scan, Tone Select, Stereo Cassette Tape, Digital Clock, Theft Deterrent and Four Speakers
EMISSIONS (Refer Emission Requirement Tab Section)			
N.C.	FE9 Federal Emission Requirements	V.P.S.	UP0 Electronically Tuned AM/FM Stereo Radio w/Seek-Scan, Tone Select, Stereo Cassette Tape, Compact Disc Player, Digital Clock, Theft Deterrent and Four Speakers
70.00	NG1 NY State Emission Requirements		
70.00	YF5 California Emission Requirements		
N.C.	NB8 California/NY Emission Override (Reqs FE9 Emission)		
N.C.	NC7 Federal Emission Override (Reqs YF5/NG1 Emission)		
ENGINES		SEATING	
N.C.	LS5 1.6 Liter SOHC L4 EFI (Reqs FE9 Emission)	N.C.	AP6 Rear, Not Desired
		445.00	AM7 Rear Folding Bench
N.C.	L01 1.6 Liter SOHC 16-Valve L4 MFI (Reqs YF5/NG1 Emission)	115.00	N33 STEERING WHEEL: Tilt
EXPRESSIONS COLOR APPEARANCE PACKAGE (Refer Color and Trim Selection for Availability)		TOP COLOR (Must Order One)	
Package Includes: Body-Side and Rocker Panel Moldings Accent-Colored: Convertible Top, Front and Rear Fascia Striping, Integral Striping on Body-Side Moldings, Spare Tire Cover (Solid), Decals and Alloy Wheels Body-Colored: Door Handles and Door Window Frames		N.C.	10T Convertible Top, White (N/A w/WT1, WT2 Exp Color App Pkg)
499.00	WT1 Blue Accent Pkg (Reqs 32T Convertible Top)	N.C.	32T Convertible Top, Blue (Reqs WT1 Exp Color App Pkg)
499.00	WT2 Green Accent Pkg (Reqs 45T Convertible Top)	N.C.	41T Convertible Top, Black (N/A w/WT1, WT2 Exp Color App Pkg)
		N.C.	45T Convertible Top, Green (Reqs WT2 Exp Color App Pkg)
28.00	B37 FLOOR MATS: Front and Rear	TRANSMISSIONS	
85.00	B84 MOLDINGS: Body-Side (Incls Rocker Panel Moldings) (N/A w/WT1, WT2 Exp Color App Pkg)	N.C.	MM5 5-Speed Manual with 5th Gear Overdrive
		595.00	MX1 3-Speed Automatic
		335.00	QA4 WHEELS: 15" Alloy with Steel Spare (N/A w/WT1, WT2 Exp Color App Pkg)

TRACKER 2WD CONVERTIBLE

COLOR AND TRIM SELECTION

PLEASE NOTE: The Exterior Paint and Interior Trim Combinations Shown Below are the Only Combinations that are Available

Interior Trim Color	Dk Charcoal	Dk Charcoal
---------------------	-------------	-------------

MODEL	SEAT TYPE		
CE10367	Linear Cloth Bucket	LQQ2	
	Expressive Cloth Bucket		EQQ2

SOLID PAINT APPLICATION AND CONVERTIBLE TOP SELECTOR

(Convertible Top Option Must Be Specified in Plus (+) Option Section of Order Worksheet)

Exterior Paint Color	Color Code 1	Color Code 2	Dk Charcoal Linear	Dk Charcoal Expressive	Decal Color
W/O EXPRESSIONS COLOR APPEARANCE PACKAGE					
White	16	16	10T/41T		Blue
Black Licorice	19	19	10T/41T	10T/41T	Green
Mystic Magenta (Met)	38	38	10T/41T	10T/41T	Green
Tropical Green (Met)	45	45	10T/41T	10T/41T	Green
Sky Blue (Met)	49	49	10T/41T	10T/41T	Blue
Bright Red	81	81	10T/41T		Blue
W/EXPRESSIONS COLOR APPEARANCE PACKAGE					
White	16	16	32T/45T		@
Black Licorice	19	19	32T/45T	32T/45T	@
Tropical Green (Met)	45	45	45T	45T	Green
Sky Blue (Met)	49	49	32T	32T	Blue

@ Decal Color Same As Package Color

CONVERTIBLE TOP COLOR

WHITE.....10T
BLUE.....32T*

BLACK.....41T
GREEN.....45T**

- * Must Order WT1 Expressions Color Appearance Package
- ** Must Order WT2 Expressions Color Appearance Package

POWER TEAMS (Refer to next page for option availability and application)

ENGINE OPTION CONDITION		RATIO		
		4.30	4.62	5.12
W/FE9 FEDERAL EMISSION REQUIREMENTS				
LS5	MM5 MX1	---	---	Std
		---	Std	---
W/YF5 CALIFORNIA or NG1 NEW YORK STATE EMISSIONS				
L01	MM5 MX1	---	---	Std
		Std	---	---

REVISED: 1-10-94

1994 ORDER GUIDE

TRACKER

Page 5

Prices Shown Are Manufacturers Suggested Retail Prices (MSRP) At The Time Of Publication. These Prices Are To Be Used Only As An Aid To Inventory Management Since MSRP Figures Change Periodically. The Vehicle Price Schedule is The Official Pricing Documentation Of Chevrolet Motor Division And Should Be Used In Discussing Vehicle Prices With Potential Buyers. The Model Prices Shown In The Order Guide Include The Destination Freight Charges.

*12,745.00 TRACKER 4x4 HARDTOP MODEL CJ10316
 *12,585.00 TRACKER 4x4 CONVERTIBLE MODEL CJ10367

*Includes Destination & Handling Charges

MUST SPECIFY: ENGINE, TRANSMISSION, EMISSIONS
 MUST ORDER ONE GROUP-NO DELETIONS ALLOWED

N.C.	Preferred Equipment Group 1 (Refer Standard Equipment Page)	TBA1	TBA2
		x	x
581.00	Preferred Equipment Group 2 Electronically Tuned AM/FM Stereo Radio w/Seek, Digital Clock and Four Speakers Steering - Power		x x

ADDITIONAL OPTIONS

ACKNOWLEDGEMENTS		MOLDINGS	
N.C.	R8S Multiple Order Numbers	59.00	B84 Body-Side (CJ10316)
N.C.	R8T Preliminary Invoice	85.00	B84 Body-Side (Incls Rocker Panel Moldings on CJ10367) (N/A w/WT1, WT2 Exp Color App Pkg)
745.00	C60 AIR CONDITIONING: (Incls R134a Refrigerant)		
EMISSION (Refer Emission Requirement Tab Section)		V.P.S.	UL1 Electronically Tuned AM/FM Stereo Radio w/Seek, Digital Clock and Four Speakers (Incl w/Group TBA2)
N.C.	FE9 Federal Emission Requirements		
70.00	NG1 NY State Emission Requirements	V.P.S.	UL0 Electronically Tuned AM/FM Stereo Radio w/Seek-Scan, Tone Select, Stereo Cassette Tape, Digital Clock, Theft Deterrent and Four Speakers
70.00	YF5 California Emission Requirements		
N.C.	NB8 California/NY Emission Override (Reqs FE9 Emission)	V.P.S.	UP0 Electronically Tuned AM/FM Stereo Radio w/Seek-Scan, Tone Select, Stereo Cassette Tape, Compact Disc Player, Digital Clock, Theft Deterrent and Four Speakers
N.C.	NC7 Federal Emission Override (Reqs YF5/NG1 Emission)		
ENGINES			
N.C.	LS5 1.6 Liter SOHC L4 EFI (Reqs FE9 Emission)		
N.C.	L01 1.6 Liter SOHC 16-Valve L4 MFI (Reqs YF5/NG1 Emission)		
	EXPRESSIONS COLOR APPEARANCE PACKAGE (CJ10367 - Refer Color and Trim Selection for Availability)	75.00	NY7 SKID PLATES: Front Differential and Transfer Case
	Package Includes:	115.00	N33 STEERING WHEEL: Tilt
	Body-Side and Rocker Panel Moldings		
	Accent-Colored: Convertible Top, Front and Rear Fascia Striping, Integral Striping on Body-Side Moldings, Spare Tire Cover (Solid), Decals and Alloy Wheels		
	Body-Colored: Door Handles and Door Window Frames		
499.00	WT1 Blue Accent Pkg (Reqs 32T Convertible Top)		TOP COLOR (CJ10367-Must Order One)
499.00	WT2 Green Accent Pkg (Reqs 45T Convertible Top)	N.C.	10T Convertible Top, White (N/A w/WT1, WT2 Exp Color App Pkg)
		N.C.	32T Convertible Top, Blue (Reqs WT1 Exp Color App Pkg)
		N.C.	41T Convertible Top, Black (N/A w/WT1, WT2 Exp Color App Pkg)
		N.C.	45T Convertible Top, Green (Reqs WT2 Exp Color App Pkg)
			TRANSMISSIONS
28.00	B37 FLOOR MATS: Front and Rear	N.C.	MM5 5-Speed Manual with 5th Gear Overdrive
		595.00	MX1 3-Speed Automatic
		335.00	QA4 WHEELS: 15" Alloy with Steel Spare (N/A w/WT1, WT2 Exp Color App Pkg)

TRACKER 4x4 HARDTOP TRACKER 4x4 CONVERTIBLE

COLOR AND TRIM SELECTION

PLEASE NOTE: The Exterior Paint and Interior Trim Combinations Shown Below are the Only Combinations that are Available

Interior Trim Color	Dk Charcoal	Dk Charcoal
---------------------	-------------	-------------

SEAT TYPE

Linear Cloth Bucket	LQQ2	
Expressive Cloth Bucket		EQQ2

CJ10316 SOLID PAINT APPLICATION

Exterior Paint Color	Color Code 1	Color Code 2	Dk Charcoal Linear	Decal Color
White	16	16	x	Blue
Black Licorice	19	19	x	Green
Sky Blue (Met)	49	49	x	Blue
Bright Red	81	81	x	Blue

CJ10367 SOLID PAINT APPLICATION AND CONVERTIBLE TOP SELECTOR

Convertible Top Option Must Be Specified in Plus (+) Option Section of Order Worksheet

Exterior Paint Color	Color Code 1	Color Code 2	Dk Charcoal Linear	Dk Charcoal Expressive	Decal Color
W/O EXPRESSIONS COLOR APPEARANCE PACKAGE					
White	16	16	10T/41T		Blue
Black Licorice	19	19	10T/41T	10T/41T	Green
Mystic Magenta (Met)	38	38	10T/41T	10T/41T	Green
Tropical Green (Met)	45	45	10T/41T	10T/41T	Green
Sky Blue (Met)	49	49	10T/41T	10T/41T	Blue
Bright Red	81	81	10T/41T		Blue
W/EXPRESSIONS COLOR APPEARANCE PACKAGE					
White	16	16	32T/45T		@
Black Licorice	19	19	32T/45T	32T/45T	@
Tropical Green (Met)	45	45	45T	45T	Green
Sky Blue (Met)	49	49	32T	32T	Blue

@ Decal Color Same as Package Color

CONVERTIBLE TOP COLOR

WHITE.....10T
BLUE.....32T*

BLACK.....41T
GREEN.....45T**

- * Must Order WT1 Expressions Color Appearance Package
- ** Must Order WT2 Expressions Color Appearance Package

POWER TEAMS (Refer to next page for option availability and application)

ENGINE OPTION CONDITION		RATIO		
		4.30	4.62	5.12
W/FE9 FEDERAL EMISSION REQUIREMENTS				
LS5	MM5 MX1	---	---	Std
		---	Std	---
W/ YF5 CALIFORNIA or NG1 NY STATE EMISSIONS				
L01	MM5 MX1	---	---	Std
		Std	---	---

REVISED: 1-10-94

1994 ORDER GUIDE

TRACKER

Page 7

Prices Shown Are Manufacturers Suggested Retail Prices (MSRP) At The Time Of Publication. These Prices Are To Be Used Only As An Aid To Inventory Management Since MSRP Figures Change Periodically. The Vehicle Price Schedule Is The Official Pricing Documentation Of Chevrolet Motor Division And Should Be Used In Discussing Vehicle Prices With Potential Buyers. The Model Prices Shown In The Order Guide Include The Destination Freight Charges.

- *14,215.00 TRACKER 4x4 LSi HARDTOP MODEL CJ10316
 - *13,950.00 TRACKER 4x4 LSi CONVERTIBLE MODEL CJ10367
- *Includes Destination & Handling Charges

MUST SPECIFY: ENGINE, TRANSMISSION, EMISSIONS

MUST ORDER -NO DELETIONS ALLOWED

N.C. Preferred Equipment Group 1 TLA1
(Refer Standard Equipment Page) x

ADDITIONAL OPTIONS

- | | | | |
|---|---|---|--|
| ACKNOWLEDGEMENTS | | RADIO EQUIPMENT | |
| N.C. | R8S Multiple Order Numbers | V.P.S. | ULO Electronically Tuned AM/FM Stereo Radio w/Seek-Scan, Tone Select, Stereo Cassette Tape, Digital Clock, Theft Deterrent and Four Speakers |
| N.C. | R8T Preliminary Invoice | | |
| 745.00 | C60 AIR CONDITIONING: (Incls R134a Refrigerant) | V.P.S. | UP0 Electronically Tuned AM/FM Stereo Radio w/Seek-Scan, Tone Select, Stereo Cassette Tape, Compact Disc Player, Digital Clock, Theft Deterrent and Four Speakers |
| EMISSIONS (Refer Emission Requirement Tab Section) | | | |
| N.C. | FE9 Federal Emission Requirements | | |
| 70.00 | NG1 NY State Emission Requirements | | |
| 70.00 | YF5 California Emission Requirements | | |
| N.C. | NB8 California/NY Emission Override (Reqs FE9 Emission) | 75.00 | NY7 SKID PLATES: Front Differential and Transfer Case |
| N.C. | NC7 Federal Emission Override (Reqs YF5/NG1 Emission) | | |
| ENGINES | | 115.00 | N33 STEERING WHEEL: Tilt |
| N.C. | LS5 1.6 Liter SOHC L4 EFI (Reqs FE9 Emission) | TOP COLOR (CJ10367 - Must Order One) | |
| N.C. | L01 1.6 Liter SOHC 16-Valve L4 MFI (Reqs YF5/NG1 Emission) | N.C. | 10T Convertible Top, White (N/A w/WT1, WT2, WT3 Exp Color App Pkg) |
| EXPRESSIONS COLOR APPEARANCE PACKAGE (CJ10367 - Refer Color and Trim Selection for Availability) | | N.C. | 32T Convertible Top, Blue (Reqs WT1 Exp Color App Pkg) |
| Package Includes: | | N.C. | 41T Convertible Top, Black (N/A w/WT1, WT2, WT3 Exp Color App Pkg) |
| Accent-Colored: Convertible Top, Front and Rear Fascia Striping, Integral Striping on Body-Side Moldings, Spare Tire Cover (Solid), Decals and Alloy Wheels | | N.C. | 45T Convertible Top, Green (Reqs WT2 Exp Color App Pkg) |
| Body-Colored: Door Window Frames | | N.C. | 61T Convertible Top, Tan (Reqs WT3 Exp Color App Pkg) |
| 425.00 | WT1 Blue Accent Pkg (Reqs 32T Convertible Top) | TRANSMISSIONS | |
| 425.00 | WT2 Green Accent Pkg (Reqs 45T Convertible Top) | N.C. | MM5 5-Speed Manual with 5th Gear Overdrive |
| 425.00 | WT3 Tan Accent Pkg (Reqs 61T Convertible Top) | 595.00 | MX1 3-Speed Automatic |
| | | 335.00 | QA4 WHEELS: 15" Alloy with Steel Spare (N/A w/WT1, WT2, WT3 Exp Color App Pkg) |

TRACKER 4x4 LSi HARDTOP TRACKER 4x4 LSi CONVERTIBLE

COLOR AND TRIM SELECTION

PLEASE NOTE: The Exterior Paint and Interior Trim Combinations Shown Below are the Only Combinations that are Available

Interior Trim Color	Dk Charcoal
---------------------	-------------

SEAT TYPE	
Custom Cloth Bucket	CBB2

CJ10316 SOLID PAINT APPLICATION

Exterior Paint Color	Color Code 1	Color Code 2	Dk Charcoal Linear	Decal Color
Shadow Gray (Met)	15	15	x	Gray
White	16	16	x	Gray
Black Licorice	19	19	x	Gray
Brilliant Red (Met)	75	75	x	Gray
Med Quasar Blue (Met)	80	80	x	Gray

CJ10367 SOLID PAINT APPLICATION AND CONVERTIBLE TOP SELECTOR

Convertible Top Option Must Be Specified in Plus (+) Option Section of Order Worksheet)

Exterior Paint Color	Color Code 1	Color Code 2	Dk Charcoal Linear	Decal Color
W/O EXPRESSIONS COLOR APPEARANCE PACKAGE				
Shadow Gray (Met)	15	15	10T/41T	Gray
White	16	16	10T/41T	Gray
Black Licorice	19	19	10T/41T	Gray
Mystic Magenta (Met)	38	38	10T/41T	Gray
Tropical Green (Met)	45	45	10T/41T	Gray
Brilliant Red (Met)	75	75	10T/41T	Gray
Med Quasar Blue (Met)	80	80	10T/41T	Gray
W/EXPRESSIONS COLOR APPEARANCE PACKAGE				
White	16	16	32T/45T/61T	@
Black Licorice	19	19	32T/45T/61T	@
Tropical Green (Met)	45	45	45T	Green
Brilliant Red (Met)	75	75	61T	Tan

@ Decal Color Same as Package Color

CONVERTIBLE TOP COLOR

WHITE.....10T	BLACK.....41T
BLUE.....32T*	GREEN.....45T**
TAN.....61T***	

- * Must Order WT1 Expressions Color Appearance Package
- ** Must Order WT2 Expressions Color Appearance Package
- *** Must Order WT3 Expressions Color Appearance Package

POWER TEAMS (Refer to next page for option availability and application)

ENGINE OPTION CONDITION		RATIO		
		4.30	4.62	5.12
W/FE9 FEDERAL EMISSION REQUIREMENTS				
LS5	MM5 MX1	---	--- Std	Std ---
W/ YF5 CALIFORNIA or NG1 NY STATE EMISSIONS				
L01	MM5 MX1	---	--- Std	Std ---

REVISED: 1-10-94

1994 ORDER GUIDE

TRACKER

Page 9

Prices Shown Are Manufacturers Suggested Retail Prices (MSRP) At The Time Of Publication. These Prices Are To Be Used Only As An Aid To Inventory Management Since MSRP Figures Change Periodically. The Vehicle Price Schedule is The Official Pricing Documentation Of Chevrolet Motor Division And Should Be Used In Discussing Vehicle Prices With Potential Buyers. The Model Prices Shown in The Order Guide Include The Destination Freight Charges.

NOTES

MANUFACTURERS MOTOR VEHICLE SPECIFICATIONS

METRIC (U.S. Customary)

1994

Manufacturer SUZUKI MOTOR CORPORATION	Vehicle Line Geo TRACKER	
Mailing Address GENERAL MOTORS CORPORATION CHEVROLET CENTRAL OFFICE 30007 VAN DYKE WARREN, MI 48090-9065	Issued SEPTEMBER, 1993	Revised

Direct questions concerning these specifications to the manufacturer listed above.

The information contained herein is prepared, distributed by, and is solely the responsibility of the vehicle manufacturing company to whose products it relates. This specification form was developed by the vehicle manufacturing companies under the auspices of the American Automobile Manufacturers Association.

The General Specifications herein are those in effect at date of compilation and are subject to change without notice or incurring obligation by the manufacturer.

MVMA

Motor Vehicle Manufacturers Association
of the United States, Inc.

Blank Forms Provided by Technical Affairs Division

MVMA Specifications

METRIC (U.S. Customary)

Table of Contents

1	Vehicle Models/Origin	∅ Indicates Format Change From Previous Year
2	Power Teams	
3	Engine	
4	Lubrication System	
4	Diesel Information	
5	Cooling System	
6	Fuel System	
7	Vehicle Emission Control	
7	Exhaust System	
8-10	Transmission, Axles and Shafts	
11	Suspension	
12-13	Brakes, Tires and Wheels	
14	Steering	
15-16	Electrical	
17	Body – Miscellaneous Information	
17	Frame	
18	Restraint System	
18	Glass	
18	Headlamps	
19	Climate Control System	
20-21	Convenience Equipment	
21	Trailer Towing	
22-24	Vehicle Dimensions	
25	Vehicle Fiducial Marks	
26	Vehicle Mass (Weight)	
27	Optional Equipment Differential Mass (Weight)	
28-34	Vehicle Dimensions Definitions - Key Sheets	
35	Index	

NOTE:

1. This form uses both SI metric units and U.S. Customary units. The metric unit of measure is presented first, and the U.S. Customary unit follows in parentheses.
2. UNLESS OTHERWISE INDICATED:
 - a. Specifications apply to standard models without optional equipment. Significant deviations are noted.
 - b. Nominal design dimensions are used throughout these specifications.
 - c. All linear dimensions are in millimeters (inches), and all mass (weight) specifications are in kilograms (pounds).
3. The General Specifications herein are those in effect at date of compilation and are subject to change without notice or incurring obligation by the manufacturer.
4. Additional Vehicle Dimensions (based in part on SAE J1100 "Motor Vehicle Dimensions") may be available from the manufacturer.

MVMA Specifications

Vehicle Line Geo TRACKER
 Model Year 1994 Issued 9-93 Revised(*) _____

METRIC (U.S. Customary)

Vehicle Origin

Design & development (company)	Suzuki Motor Corporation
Where built (country)	Canada
Authorized U.S. Sales marketing representative	Chevrolet/Geo

Vehicle Models

Model Description & Drive (FWD/RWD/AWD/4WD)*	Make, Vehicle Models, Series, Body Type (Mfr's Model Code)	No. of Designated Seating Positions (Front/Rear)	Max. Trunk/Cargo Load—Kilograms (Pounds)	EPA Fuel Economy (City/Hwy)
Geo TRACKER Convertible (4WD) (Federal)	J10367	2/2	100 (220)	25/27, Man. 23/24, Auto.
Geo TRACKER Hardtop (4WD) (Federal)	J10316	2/2	90 (200)	25/27, Man. 23/24, Auto.
Geo TRACKER Convertible (2WD) (Federal)	E10367	2/2	180 (400)	25/27, Man. 23/24, Auto.
Geo TRACKER Convertible (4WD) (California)	J10367	2/2	100 (220)	24/26, Man. 22/24, Auto.
Geo TRACKER Hardtop (4WD) (California)	J10316	2/2	90 (200)	24/26, Man. 22/24, Auto.
Geo TRACKER Convertible (2WD) (California)	E10367	2/2	180 (400)	24/26, Man. 22/24, Auto.

* FWD - Front Wheel Drive RWD - Rear Wheel Drive AWD - All Wheel Drive 4WD - Four Wheel Drive

MVMA Specifications

Vehicle Line Geo TRACKER
 Model Year 1994 Issued 9-93 Revised(*)

METRIC (U.S. Customary) Power Teams

SAE J1349 Net bhp (brake hrspwr) and Net Torque corrected to 77 deg. F / 25 deg. C and 29.61 in. Hg/100 kPA atmos. press.

		A	B	C	D	
E N G I N E	Engine Code	LS5	LS5	LS5	LS5	
	Displacement Liters (cu. in.)	1.6 (97)	1.6 (97)	1.6 (97)	1.6 (97)	
	Induction system (FI, Carb, etc.)	Electronic Fuel Injection	Electronic Fuel Injection	Electronic Fuel Injection	Electronic Fuel Injection	
	Compression ratio	8.9:1	8.9:1	9.5:1	9.5:1	
	SAE Net at RPM	Power kW (bhp)	59 (80) @ 5400	59 (80) @ 5400	70 (95) @ 5600	70 (95) @ 5600
		Torque Newton meters (lb. ft.)	127 (94) @ 3000	127 (94) @ 3000	133 (98) @ 4000	133 (98) @ 4000
Exhaust Single, dual		Single	Single	Single	Single	
T R A N S	Transmission/ Transaxle	Manual Transaxle 5-Speed	Automatic Transaxle 3-Speed	Manual Transaxle 5-Speed	Automatic Transaxle 3-Speed	
	Effective Final Drive/Axle Ratio (std. first)	5.12	4.62	5.12	4.30	

Series Availability

Power Teams (A - B - C - D)

Model	Code	Standard	Optional
Geo TRACKER Convertible (4WD)	(Federal) J10367	A	B
	(Calif.) J10367	C	D
Geo TRACKER Hardtop (4WD)	(Federal) J10316	A	B
	(Calif.) J10316	C	D
Geo TRACKER Convertible (2WD)	(Federal) E10367	A	B
	(Calif.) E10367	C	D

MVMA Specifications

Vehicle Line Geo TRACKER
 Model Year 1994 Issued 9-93 Revised(*)

METRIC (U.S. Customary)

Engine Description	1.6 LITER L4 (97 CID)
Engine Code	ELECTRONIC FUEL INJECTION RPO LS5

ENGINE - GENERAL

	FEDERAL (2 Valve)	CALIFORNIA (4 Valve)
Type & description (inline, V, angle, flat, location, front, mid, rear, transverse, longitudinal, sohc, dohc, ohv, hemi, wedge, pre-chamber, etc.)	Inline, Front, Longitudinal, SOHC	
Manufacturer	SUZUKI MOTOR CORPORATION	
No. of cylinders	4	
Bore	75 mm (2.95 in.)	
Stroke	90 mm (3.54 in.)	
Bore spacing (C/L to C/L)	84 mm (3.30 in.)	
Cylinder block matl & mass kg/(lbs.) (machined)	Aluminum Alloy, 17.5 (38.6)	
Cylinder block deck height	213.8 mm (8.42 in.)	
Cylinder block length	372 mm (14.65 in.)	
Deck clearance (minimum) (above or below block)	0.9 mm (0.04 in.), Below	
Cyl. head material & mass kg (lbs.)	Aluminum Alloy, 6.9 (15.2)	7.8 (17.2)
Cylinder head volume cu. cm. (cu. in.)	32.2 (1.96)	25.5 (1.55)
Cylinder liner material	Cast Iron	
Head gasket thickness (compressed)	1.2 mm (0.05 in.)	
Minimum combustion chamber total volume cm. cu. (cu. in.)	50.6 (3.88)	46.8 (3.59)
Cyl. no. system (front to rear)	L. Bank	1-2-3-4
	R. Bank	---
Firing order	1-3-4-2	
Intake manifold matl & mass kg/(lbs.) **	Aluminum Alloy, 2.6 (5.7)	3.5 (7.7)
Exh. manifold matl & mass kg (lbs.) **	Cast Iron, 4.3 (9.5)	8.3 (18.3)
Knock sensor (number & location)	Not Applicable	
Fuel required unleaded, diesel, etc.	Unleaded	
Fuel antiknock index (R + M) / 2	87	
Engine mounts	Quantity	3
	Matl and type (elastomeric, hydroelastic, hydraulic damper, etc.)	Rubber (Elastomeric)
	Added isolation (sub-frame, crossmember, etc.)	Crossmember (For Engine Rear Mount)
Total dressed engine mass (wt) dry***	89 kg (196 lbs.)	104 kg. (229 lbs.)

Engine - Pistons

Material & mass, g (weight, oz.) - piston only	Aluminum Alloy, 227 (8.0)	207 (7.3)
--	---------------------------	-----------

Engine Camshaft

Location	In Cylinder Head	
Material & mass kg (weight, lbs.)	Cast Iron, 2.1 (4.7)	1.95 (4.4)
Drive type	Chain/belt	Belt
	Width/pitch	19.1/9.525 mm (0.75/0.38 in.)

*Rear of engine - drive takeoff. View from drive takeoff end to determine left & right side of engine.
 **Finished state.
 ***Dressed engine mass (weight) includes the following:

MVMA Specifications

Vehicle Line Geo TRACKER
 Model Year 1994 Issued 9-93 Revised(*) _____

METRIC (U.S. Customary)

Engine Description	1.6 LITER L4 (97 CID)
Engine Code	ELECTRONIC FUEL INJECTION RPO LS5

Engine - Valve System		FEDERAL (2 Valve)	CALIFORNIA (4 Valve)
Hydraulic lifters (std., opt., n.a.)		Not Applicable	
Valves	Number intake/exhaust	4/4	8/8
	Head O.D. intake/exhaust	36.8/32.5 mm (1.44/1.28 in.)	29.2/25.0 mm (1.15/0.98 in.)

Engine - Connecting Rods	
Material & mass kg., (weight, lbs.)*	Forged Steel, 0.396 (0.873)
Length(axis centerline to centerline)	139.6

Engine - Crankshaft		
Material & mass kg., (weight, lbs.)*	Nodular Cast Iron, 12.1 (26.7)	
End thrust taken by bearing (no.)	2	
Length & number of main bearings	18 mm (0.71 in.) x 5	
Seal (material, one, two piece design, etc.)	Front	1
	Rear	1

Engine - Lubrication System	
Normal oil pressure kPa(psi) @ eng rpm	40 (0.58) @ 4,000
Type oil intake (floating, stationary)	Stationary
Oil filter sys. (full flow, part, other)	Full Flow
Capacity of c/case, less filter-refill-L (qt.)	4.0 (4.2)

Engine - Diesel Information		(NOT APPLICABLE)
Diesel engine manufacturer		
Glow plug, current drain at 0 deg. F		
Injector Nozzle	Type	
	Opening pressure kPa(psi)	
Pre-chamber design		
Fuel in-jection pump	Manufacturer	
	Type	
Fuel inj. pump drive (belt, chain, gear)		
Supplementary vacuum source (type)		
Fuel heater (yes/no)		
Water separator, description (std., opt.)		
Turbo manufacturer		
Oil cooler-type (oil to engine coolant; oil to ambient air)		
Oil filter		

Engine - Intake System		(NOT APPLICABLE)
Turbo charger - manufacturer		
Super charger - manufacturer		
Intercooler		

* Finished State

MVMA Specifications

Vehicle Line Geo TRACKER
 Model Year 1994 Issued 9-93 Revised(*) _____

METRIC (U.S. Customary)

Engine Description	1.6 LITER L4 (97 CID)
Engine Code	ELECTRONIC FUEL INJECTION RPO LS5

Engine - Cooling System		FEDERAL (2 Valve)	CALIFORNIA (4 Valve)
Coolant recovery system (std., opt., n.a.)		Standard	
Coolant fill location (rad., bottle)		Bottle	
Radiator cap relief valve pressure kPa (psi)		88.2 (12.6)	
Circulation thermostat	Type (choke, bypass)	Choke	
	Starts to open @ deg's C(F)	82 (180)	
Water Pump	Type (centrifugal, other)	Centrifugal	
	GPM 1000 pump rpm	3.5	
	Number of pumps	1	
	Drive (V-belt, other)	V-Ribbed Belt	
	Bearing type	Roller & Ball	
	Impeller material	Steel	
Housing material		Aluminum Alloy	
By-pass recirculation type (inter., ext.)		External	
Cooling system capacity	With heater - L (qt.)	MT: 5.3 (5.6), AT: 5.2 (5.5)	
	With air conditioner-L(qt.)	Not Applicable	
	Opt. equip. specify-L(qt.)	"	
Water jackets full length of cyl(yes,no)		Yes	
Water all around cylinder (yes, no)		Yes	
Water jackets open at head face (yes,no)		Yes	
Radiator core	Std., A/C, HD	Standard	
	Type (cross-flow, etc.)	Vertical Flow	
	Construction (fin & tube mechanical, braze, etc.)	Fin & Tube	
	Matl., mass kg (wgt., lbs.)	Copper & Brass, MT: 3.8 (8.4), AT: 4.2 (9.2)	
	Width	488 mm (19.21 in.)	
	Height	373 mm (14.69 in.)	
	Thickness	27 mm (1.06 in.)	
Fins per inch		3.5 mm/2	
Radiator end tank material		Plastic	
Fan	Std., elec., opt.	Standard	
	Number of blades & type (flex, solid, material)	5, Flex, Plastic	
	Number & location (front, rear of radiator)	1, Rear of Radiator	
	Diameter & projected width	340 mm (13.39 in.) & 50 mm (1.97 in.)	
	Ratio(fan to crnkshft.rev.)	117:130	
	Fan cutout type	Bimetal & Fluid Coupling	
	Drive type (direct, remote)	Clutch Fan, Remote	
	RPM at idle (elec.)	Not Applicable	
	Motor rating(wattage)elec)	"	
	Motor switch (type & location/elec.)	"	
	Switch point (temp.,/ pressure/elec.)	"	
Fan shroud (material)		Plastic	

MVMA Specifications

Vehicle Line Geo TRACKER
 Model Year 1994 Issued 9-93 Revised(*) _____

METRIC (U.S. Customary)

Engine Description	1.6 LITER L4 (97 CID)
Engine Code	ELECTRONIC FUEL INJECTION RPO LS5

Engine - Fuel System		FEDERAL (2 Valve)	CALIFORNIA (4 Valve)
Induction type: carburetor, fuel injection system, etc.		Fuel Injection	
Manufacturer		Mitsubishi - Mikuni	
Carburetor no. of barrels		Not Applicable	
Idle A/F mix.		14.6	
Fuel Injection	Point of inj. (no.)	Throttle Body (1)	Intake Manifold (4)
	Constant, pulse, flow	Pulse Flow	
	Control (elec., mech.)	Electronic	
	Sys. press. kPa (psi)	250 (36)	284 (41)
Idle spd.-rpm (spec. neutral or drive and propane if used)	Manual	800 (Neutral)	
	Automatic	800 (Neutral Or Park)	
Intake manifold heat control (exhaust or water thermostatic or fixed)		Water Thermostatic	
Air cleaner type		Replaceable Paper Element, Single Snorkel	
Fuel filter (type/location)		Paper Element, Under Floor - Rear	
Fuel pump	Type (elec. or mech.)	Electrical	
	Location (eng., tank)	Fuel tank	
	Press. range kPa (psi)	588 (85)	
	Flow rate at regulated pressure L (gal)/hr @ kPa (psi)	80 (21.1) @ 250 (36)	

Fuel Tank

Capacity refill L (gallons)		42 (11.1)
Location (describe)		Under Floor - Rear
Attachment		Bolts
Material & Mass kg (weight lbs.)		Steel, 8.4 (18.5)
Filler pipe	Location & material	Right Side Rear Quarter Panel, Steel
	Connection to tank	Rubber Hose
Fuel line (material)		Steel
Fuel hose (material)		Rubber
Return line (material)		Steel
Vapor line (material)		Steel
Extended range tank	Opt., n.a.	Not Applicable
	Capacity L (gallons)	
	Location & material	
	Attachment	
Auxiliary tank	Opt., n.a.	Not Applicable
	Capacity L (gallons)	
	Location & material	
	Attachment	
	Sictr switch or valve	
	Separate fill	

MVMA Specifications

Vehicle Line Geo TRACKER
 Model Year 1994 Issued 9-93 Revised(*) _____

METRIC (U.S. Customary)

Engine Description **1.6 LITER L4 (97 CID)**
 Engine Code **ELECTRONIC FUEL INJECTION RPO LS5**

Vehicle Emission Control

FEDERAL (2 Valve)

CALIFORNIA (4 Valve)

Exhaust Emission Control	Type (air injection, engine modifications, other)		EFI + TWC + EGR + H02S	SFI + TWC + EGR + H02S
	Air injection	Pump or pulse	Not Applicable	
		Driven by	"	
		Air distribution (head, manifold, etc.,)	"	
		Point of entry	"	
	Exhaust Gas Recirculation	Type (controlled flow, open orifice, other)	Backpressure Controlled	
		Exhaust source Point of exh.inj. (spacer, carb., manifold, other)	Manifold	
	Catalytic Converter	Type	Single Bed	
		Number of	2	
		Location(s)	Under Floor	
Volume L (cu.in)		1.4 (85)	1.8 (109)	
Substrate type		Monolith		
Noble metal type		Platinum (Pt), Rhodium (Rh)		
Crankcase Emission Control	Type (ventilates to atmosphere, induction system, other)		Induction System	
	Energy source (manifold vacuum, carburetor, other)		Manifold Vacuum	
	Discharges to (intake manifold, other)		Intake Manifold	
	Air inlet (breather cap, other)		Air Intake Case	
Evaporative Emission Control	Vapor vented to (crankcase, canister, other)	Fuel tank	Canister	
		Carburetor	Not Applicable	
	Vapor storage provision		Canister	
Electronic System	Closed loop (yes/no)		Yes	
	Open loop (yes/no)		Yes	

Engine - Exhaust System

Type (single, single with cross-over, dual, other)		Single	
Muffler no. & type (reverse flow, straight thru, separate resonator) Material & Mass kg (weight lbs.)		1 (Reverse Flow), Stainless Steel	
Resonator no. & type		None	
Exhaust pipe	Branch o.d., wall thickness	FED: Inner: 35-1.2 mm (1.38-0.05 in.), Outer: 48.6-1.2 mm (1.91-0.05 in.) CAL: Inner: 35-1.2 mm (1.38-0.05 in.), Outer: 54.0-1.2 mm (2.13-0.06 in.)	
	Main o.d., wall thickness	42.7-2.0 mm (1.68-0.08 in.)	48.6-1.5 mm (1.91-0.06 in.)
	Matl. & Mass kg (wght.lbs.)	Stainless Steel & Aluminum Coated Steel Stainless Steel	
Inter-mediate pipe	o.d. & wall thickness	42.7 - 1.2 mm (1.68 - 0.05 in.)	
	Matl. & Mass kg (wght.lbs.)	Aluminum Coated Steel	Stainless Steel
Tail pipe	o.d. & wall thickness	38.1 - 1.2 mm (1.45 - 0.05 in.) 42.7-1.2 mm (1.68-0.05 in.)	
	Matl. & Mass kg (wght.lbs.)	Stainless Steel	

MVMA Specifications

Vehicle Line Geo TRACKER
 Model Year 1994 Issued 9-93 Revised(*)

METRIC (U.S. Customary)

Engine Description	1.6 LITER L4 (97 CID)
Engine Code	ELECTRONIC FUEL INJECTION RPO LS5

Transmissions/Transaxle (Std., Opt., N.A.)	FEDERAL (2 Valve)	CALIFORNIA (4 Valve)
Manual 4-speed (manufacturer/country)	Not Applicable	
Manual 5-speed (manufacturer/country)	Suzuki Motor Corporation/Japan, Std.	
Manual 6-speed (manufacturer/country)	Not Applicable	
Automatic (manufacturer/country)	Hydra-Matic, Strasbourgh, General Motors, France, Opt.	
Auto. overdrive (manufacturer/country)	---	

Manual Transmission/Transaxle

Number of forward speeds	5		
Gear ratios	1st	3.65	
	2nd	1.95	
	3rd	1.38	
	4th	1.00	
	5th	0.86	0.80
	6th	Not Applicable	
Reverse	3.67		
Synchronous meshing (specify gears)	All Forward Gears		
Shift lever location	Floor Mounted		
Trans. case mat'l. & mass kg (lbs)*	Aluminum Die-Cast, 31.6 (69.7)		
Lubricant	Capacity L (pt.)	1.5	
	Type recommended	Gear Oil GL4	
SAE Viscosity Number	75W-85, All Season, 75W-90 Available		

Clutch (Manual Transmission)

Clutch manufacturer	Daikin Clutch Corporation		
Clutch type (dry, wet; single, multiple disc)	Dry Single Disc		
Linkage (hyd., cable, rod, lever, other)	Cable		
Max. pedal effort (nom. spring load) N (lbs.)	Depressed	120	
	Released	75	
Assist (spring, power/percent, nominal)	Spring		
Type pressure plate springs	Diaphragm Spring		
Total spring load (nominal) N (lbs.)	3,920		
Clutch facing	Facing mfg. & matl. coding	Hitachi Chemical Co., Ltd., 2V: HN603, 4V: HN73G	
	Facing matl. & construction	Non-Asbestos, Semi-Mold	
	Rivets per facing	16	
	Outside x inside dia. (nom.)	200 x 140 mm (7.87 x 5.51 in.)	215 x 150 mm (8.46 x 5.91 in.)
	Total eff. area sq cm (sq in)	180 (24.8)	186 (28.8)
	Thickness (pressure plate side/fly wheel side)	3.5/3.5 mm (0.138/0.138 in.)	
	Rivet depth (pressure plate side/fly wheel side)	1.3 - 1.9 (0.051-0.075 in.) / 1.3 - 1.9 mm (0.051-0.075 in.)	
Engagement cushion method	Separate Cushion Type		
Release bearing type & method lub.	Automatic Center Adjusting Type Without Grease Lubrication		
Torsional damping method, springs, hysteresis	Spring Type		

* Includes shift linkage, lubricant, and clutch housing. If other specify.

NOTE: "2V" indicates 2V engine and "4V" indicated 4V engine.

MVMA Specifications

Vehicle Line Geo TRACKER
 Model Year 1994 Issued 9-93 Revised _____

METRIC (U.S. Customary)

Engine Description **1.6 LITER L4 (97 CID)**
 Engine Code **ELECTRONIC FUEL INJECTION RPO L55**

Automatic Transmission/Transaxle		FEDERAL (2 Valve)	CALIFORNIA (4 Valve)
Trade Name		3-Speed Automatic	
Type and special features (describe)		Torque Converter With Planetary Gears	
Shift mechanics		Hydraulic Control	
Gear selector	Location (column, floor, other)	Floor Mounted	
	Ltr./No. designation (e.g. PRND21)	P-R-N-D-2-L	
	Shift interlock (yes, no, describe)	Yes	
Gear ratios	1st	2.40 (Equivalent)	
	2nd	1.47 "	
	3rd	1.00 "	
	4th	Not Applicable	
	5th	"	
	6th	"	
	Reverse	2.00 (Equivalent)	
Final drive ratio		2V: 4.625, 4V: 4.300	
Max. upshift vehicle speed - drive range km/h (mph)		2V: 1 - 2 = 56.4 (35), 2 - 3 = 101.9 (63) 4V: 1 - 2 = 66.1 (41), 2 - 3 = 108.6 (67)	
Max. upshift engine speed RPM		2V: 5750 RPM, 4V: 5700 RPM	
Max. kickdown speed - drive range km/h (mph)		2V: 2 - 1 = 44.2 (27), 3 - 2 = 93.1 (58) 4V: 2 - 1 = 53.4 (33), 3 - 2 = 100.3 (62)	
Min. overdrive speed km/h (mph)		Not Applicable	
Torque converter	Type	3 Elements, 1 Stage, 2 Phases	
	Torus design		
	Number of elements	3	
	Max. ratio at stall	2.40:1	
	Type of cooling (air, liquid)	Liquid	
	Nominal diameter	245 mm (9.6 in.)	
Capacity factor "K"		260	
Pump type		Gear Pump (Involute)	
Lubricant	Capacity refill L (pt.)	5.1 (10.8)	
	Type recommended	Dexron II-E	
Oil cooler (std., opt., N.A., internal, external, air, liquid)		Radiator	
Trans. mass kg (lbs) & case matl.**		Aluminum, 64.2 (141)	

All Wheel / 4 Wheel Drive

(NOT APPLICABLE - 2 WHEEL DRIVE MODELS)

Desc. & type (part-time, full-time, 2/4 shift while moving, mech., elect., chain/gear, etc.)		Part-Time
Transfer case	Manufacturer and model	Suzuki Motor Corporation
	Type and location	Constant Mesh Helical Gear
Low-range gear ratio		1.82
System disconnect (describe)		Floor shift
Center differential	Type (bevel, planetary, w or w/o viscous bias, torsen, etc.)	Not Applicable
	Torque split (% frt/rear)	"

* Input speed / square root of torque.
 ** Dry weight including torque converter. If other, specify.

NOTE: "2V" indicated 2V engine & "4V" indicated 4V engine.

MVMA Specifications

Vehicle Line Geo TRACKER
 Model Year 1994 Issued 9-93 Revised(*) _____

METRIC (U.S. Customary)

Engine Description	1.6 LITER L4 (97 CID)
Engine Code	ELECTRONIC FUEL INJECTION RPO L55

Axle Ratio and Tooth Combinations FEDERAL (2 Valve), CALIFORNIA (4 Valve)

Effic. final drv. ratio (or overall top gear ratio)		Manual: 5.12	Automatic: 4.62 (2V), 4.3 (4V)
Trnsfr ratio and method(chain, gear, etc)		1.00 (High Range), 1.82 (Low Range), Gear	
Front drive unit	Ring gear o.d.	175.75 mm (6.92 in.)	
	No. of teeth	Pinion	8 8 10
		Ring gear	41 37 43

Front Drive Unit

Description (integral to trans., etc.)		Differential With Hypoid Gear And Taper Bearing
Limited slip differential (type)		None
Drive pinion	Type	Hypoid Gear
	Offset	23 mm (0.906 in.)
No. of differential pinions		2
Pinion/ differential	Adjustment (shim, etc.)	Shim
	Bearing adjustment	Collapsible
Driving wheel bearing (type)		Taper Bearing
Lubricant	Capacity L (pt.)	1.0 (2.1)
	Type recommended	Hypoid Gear Oil GL-5
SAE Viscosity Number		75W-85

Axle Shafts - Front Wheel Drive

Manufacturer and number used		NTN Driveshaft Inc. (NDI)	
Type (straight, solid bar, tubular, etc.)	Left	Solid Bar	
	Right	Solid Bar	
Outer diam. x length* x wall thickness	Manual transaxle	Left	22 x 310.5 mm (0.87 x 12.22 in.)
		Right	22 x 305.5 mm (0.87 x 12.03 in.)
	Automatic transaxle	Left	22 x 310.5 mm (0.87 x 12.22 in.)
		Right	22 x 305.5 mm (0.87 x 12.03 in.)
	Optional transaxle	Left	Not Applicable
		Right	"
Slip yoke	Type	"	
	Number of teeth	"	
	Spine o.d.	"	
Universal joints	Make and mfg. no.	Inner	NTN Corporation, 2
		Outer	NTN Corporation, 2
	Number used		4
	Type, size, plunge	Inner	Double Offset Joint DOJ82
		Outer	Rzeppa BJ82
	Attach (u-bolt, clamp, etc.)		Bolt & Clip
Bearing	Type (plain, anti-friction)	Anti-Friction	
	Lubrication (fitting, prepack)	Prepacked	
Drive taken through (torque tube, arms or springs)		Lower: Control Arm, Upper: MacPherson Strut	
Torque taken through (torque tube, arms or springs)		Diff Mounting System	

* Centerline to centerline of universal joints, or to centerline of attachment.

NOTE: "2V" indicates 2V engine and "4V" indicates 4V engine.

MVMA Specifications

Vehicle Line Geo TRACKER
 Model Year 1994 Issued 9-93 Revised(*)

METRIC (U.S. Customary)

Engine Description	1.6 LITER L4 (97 CID)
Engine Code	ELECTRONIC FUEL INJECTION RPO L55

Axle Ratio and Tooth Combinations FEDERAL (2 Valve), CALIFORNIA (4 Valve)

Axle ratio (or overall top gear ratio)		Manual: 5.12	Automatic: 4.62 (2V), 4.3 (4V)
Ring gear o.d.		190 mm	
No. of teeth	Pinion	8	8 10
	Ring gear	41	37 43

Rear Axle Unit

Description		Differential With Hypoid Gear And Taper Bearings	
Limited slip differential (type)		None	
Drive pinion	Type	Hypoid Gear	
	Offset	27 mm (1.06 in.)	
No. of differential pinions		4	
Pinion/differential	Adjustment (shim, etc.)	Shim	
	Bearing adjustment	Collapsible	
Driving wheel bearing (type)		Taper Bearing	
Lubricant	Capacity L (pt.)	2.2 (4.6)	
	Type recommended	Hypoid Gear Oil GL-5	
	SAE Viscosity Number	75W-85	

Propeller Shaft - Rear Wheel Drive

Manufacturer Type (straight tube, tube-in-tube, internal-external damper, etc.)		HAMANA PARTS CO., LTD., Straight Tube	
Outer diam. x length* x wall thickness	Manual 4-speed transmission	Not Applicable	
	Manual 5-speed transmission	Not Applicable	
	Manual 6-speed transmission		
	Overdrive	Not Applicable	
	Automatic transmission	Front: 38.1 x 506 x 3.2 mm (1.5 x 19.92 x 0.13 in.) Rear: 50.8 x 722 x 2.3 mm (2.0 x 28.43 x 0.09 in.)	
Inter-mediate bearing	Type (plain, anti-friction)	Not Applicable	
	Lub. (fitting, prepack)	"	
Sho yoke	Type	Involute Serration Hole	
	Number of teeth	26	
	Spline o.d.	27 mm (1.06 in.)	
Universal joints	Make and mfg. no.	Front	KOYO SEIKO CO., LTD.
		Rear	KOYO SEIKO CO., LTD.
	Number used	4	
	Type (ball and trunnion, cross)	Cross Type	
	Rr. attach (u-bolt, clamp, etc)	Flange and Bolts	
	Bearing	Type (plain, anti-friction)	Needle Bearing
Lubrication (fitting, prepack)		Grease	
Drive taken through (torque tube, arms or springs)		Upper And Lower Arm	
Torque taken through (torque tube, arms or springs)		Engine Mounting System	

* Centerline to centerline of universal joints, or to centerline of attachment.

MVMA Specifications

METRIC (U.S. Customary)

Vehicle Line Geo TRACKER
 Model Year 1994 Issued 9-83 Revised(*) _____

Model Code/Description And/Or Engine Code/Description	4WD MODELS	2WD MODELS
--	------------	------------

Suspension - General Including Electronic Controls

Car leveling	Std./opt./not avail.	Not Applicable	
	Manual/automatic control		
	Type (air/hydraulic)		
	Primary/assist spring		
	Rear only/4 wheel leveling		
	Single/dual rate spring		
	Single/dual ride heights		
Shock absorber damping controls	Provision for jacking		
	Standard/option/not avail.	Not Applicable	
	Manual/automatic control		
	Number of damping rates		
	Type of actuation (manual/electric motor/air, etc.)		
	s h o c k r s	Lateral acceleration	
		Deceleration	
Acceleration			
Road surface			
Shock absorber (front & rear)	Type	Front & Rear: Double Action Telescopic	
	Make	Frt: Showa & Sumbury Component Ind., Rr: TOKICO Mfg. Corp. & Monroe Auto Equip.	
	Piston diameter	Ft: 32 mm (1.26 in.), Rr: 25 mm (0.98 in.), Monroe: 25.4 mm (10.0 in.)	
	Rod diameter	Ft: 22 mm (0.87 in.), Rr: 12.5 mm (0.49 in.), Monroe: 12.4 mm (4.88 in.)	

Suspension - Front

Type and description		MacPherson Strut (Separate Coil Spring)	
Travel	Full jounce (define load condition)	100 mm (3.94 in.)	90 mm (3.54 in.)
	Full rebound	60 mm (2.36 in.)	70 mm (2.76 in.)
Spring	Type (coil, leaf, other & matl)	Coil, Steel	
	Insulators (type & matl)	Rubber	
	Size (Leaf: length & width; Coil: design height & i.d.; Bar: length & diameter)	227 x 83 mm (8.93 x 3.27 in.)	220 x 83 mm (8.66 x 3.27 in.)
	Spring rate N/mm (lb./in.)	79.4 (452.8)	
Stabilizer	Rate @ wheel N/mm (lb./in.)	27.4 (156.5)	
	Type (link, inkless, frmless)	Link	
	Material & O.D. bar/tube, wall thickness	Steel Tube, 24.2 mm (0.95 in.), 3.0 mm (0.12 in.)	

Suspension - Rear

Type and description		Rigid Axle With Lower Trailing Arm & Upper A Shape Arm	
Travel	Full jounce (define load condition)	110 mm (4.33 in.)	100 mm (3.94 in.)
	Full rebound	50 mm (1.97 in.)	
Spring	Type (coil, leaf, other & matl)	Coil, Steel	
	Size (Leaf: length & width; Coil: design height & i.d.; Bar: length & diameter)	250 x 83.7 mm (9.84 x 3.3 in.)	238 x 84.1 mm (9.37 x 3.31 in.)
	Spring rate N/mm (lb./in.)	27.4 (156.5)	
	Rate @ wheel N/mm (lb./in.)	27.4 (156.5)	
	Insulators (type & material)	Rubber	
	If leaf	No. of leaves	Not Applicable
Shackle (comp or tens)		"	
Stabilizer	Type (link, inkless, frmless)	"	
	Material & O.D. bar/tube, wall thickness		
Track bar (type)	"		

MVMA Specifications

METRIC (U.S. Customary)

Vehicle Line Geo TRACKER
 Model Year 1994 Issued 9-93 Revised(*) _____

Model Code/Description And/Or Engine Code/Description Brakes - Service	CONVERTIBLE	HARDTOP
--	-------------	---------

Description		Hydraulic, Front: Floating Caliper Rear: Leading Trailing Shoe	
Manufacturer and brake type (std., opt., n.a.)	Front (disc or drum)	TOKICO LTD., Disc	
	Rear (disc or drum)	NISSHINBO CO., LTD., Drum	
Valving type(prop, delay, metering, other)		Proportioning	
Power brake (std., opt., n.a.)		Standard	
Booster type(rmt, intgr, vac., hyd., etc.)		Vacuum	
Vacuum	Source (inline, pump, etc.)	Inline (Intake Manifold)	
	Reservoir (volume cu. in.)	Not Applicable	
	Pump-type	"	
Traction Assist	Operational speed range	Not Applicable	
	Type (engine or brake intervention)	"	
Antilock device	Front/rear (std., opt., n.a.)	Rear, Standard	
	Manufacturer	Kelsey-Hayes	
	Type (electronic, mech.)	Electronic	
	Number sensors or circuits	1	
	No. antilock hyd. circuits	1	
	Integral or add-on system	Add-On System	
	Yaw control (yes, no)	No	
Hydraulic power source		Not Applicable	
Effective area sq. cm. (sq. in.)*		135/287 (21/44)	
Gross Lng area sq. cm. (sq. in.)**(F/R)		140/287 (22/44)	
Swept area sq. cm. (sq. in.)**(F/R)		1220/470 (189/73 in.)	
Rotor	Outer working diameter	F/R 290/- mm (11.42/- in.)	
	Inner working diameter	F/R 205/- mm (8.07/- in.)	
	Thickness	F/R 10/- mm (0.39/- in.)	
	Matl & type (vented/sid)	F/R Cast Iron, Solid/-	
Drum	Diameter & width	F/R -/220 x 34 mm (-/8.66 x 1.34 in.)	
	Type and material	F/R -/Cast Iron, Solid	
Wheel cylinder bore		48.1/23.81 mm (1.89/0.94 in.)	
Master cylinder	Bore/stroke	F/R 22.22/31.0 mm (0.87/1.22 in.)	
Pedal arc ratio		4.5:1	
Line pressure at 445 N (100 lb.) pedal load kPa (psi)		9713	
Lining clearance		F/R Self-Adjusting/Self-Adjusting	
Brake lining	Front wheel	Bonded or riveted	Bonded
		Rivet size	Not Applicable
		Manufacturer	NISSHINBO INDUSTRIES, INC.
		Lining code *****	D6654H
		Material	Resin Mold
		**** Pri. or out-brd	99 x 41.5 x 10 mm (3.90 x 1.63 x 0.39 in.)
		Size Sec. or in-brd	99 x 41.5 x 10 mm (3.90 x 1.63 x 0.39 in.)
	Shoe thcknss (no lng)	5 mm (0.20 in.)	
	Rear wheel	Bonded or riveted	Bonded
		Manufacturer	JAPAN BRAKE INDUSTRIAL CO., LTD.
		Lining code *****	JB NL85EE
		Material	Resin Mold
		**** Pri. or out-brd	211 x 34 x 5.5 mm (8.31 x 1.34 x 0.22 in.)
		Size Sec. or in-brd	211 x 34 x 5.5 mm (8.31 x 1.34 x 0.22 in.)
Shoe thcknss (no lng)		2.6 mm (0.10 in.)	

* Excludes rivet holes, grooves, chamfers, etc. **Includes rivet holes, grooves, chamfers, etc.
 *** Total swept area for four brakes. (Drum brake: Widest lining contact width for each brake x its contact circum.)
 (Disc brake: Square of Outer Working Dia. - Square of inner Working Dia. X Pi/2 for each brake.)
 **** Size for drum brakes includes length x width x thickness.
 ***** Manufacturer I.D., catalog for formulation designation and coefficient of friction classification.

MVMA Specifications

Vehicle Line Geo TRACKER
 Model Year 1994 Issued 9-93 Revised(*) _____

METRIC (U.S. Customary)

Model Code/Description And/Or
 Engine Code/Description

4WD MODELS	2WD MODELS
------------	------------

Tires And Wheels (Standard)

Tires	Size (service description)		P205/75R15, M + S	P195/75R15, M + S	
	Type (bias, radial, etc.)		Radial		
	Inflation pressure (cold) for recommended max. vehicle load	Front kPa (psi)	160 (23)		
		Rear kPa (psi)	160 (23)		
Rev/mile-at 70 km/h(45mph)		760			
Wheels	Type & material		Drop Center, Steel		
	Rim (size & flange type)		15 x 5.5 JJ		
	Wheel offset		25 mm (0.98 in.)		
	Attachment	Type (bolt or stud & nut)	Stud & Lug Nut		
		Circle diameter	139.7 mm (5.50 in.)		
Number & size		5 x M12			
Spare	Tire and wheel		Same Size		
	Storage position & location (describe)		Vertical, Outside Of Back Door		

Tires And Wheels (Optional)

Tire size (service description)	Not Applicable
Type (bias, radial, steel, nylon, etc.)	Not Applicable
Wheel (type & material)	Drop Center, Aluminum Alloy
Rim (size, flange type and offset)	15 x 5.5 JJ, 25 mm
Tire size (service description)	Not Applicable
Type (bias, radial, steel, nylon, etc.)	"
Wheel (type & material)	"
Rim (size, flange type and offset)	"
Tire size (service description)	"
Type (bias, radial, steel, nylon, etc.)	"
Wheel (type & material)	"
Rim (size, flange type and offset)	"
Tire size (service description)	"
Type (bias, radial, steel, nylon, etc.)	"
Wheel (type & material)	"
Rim (size, flange type and offset)	"
Spare tire and wheel size	
(if configuration is different than road tire or wheel, describe optional spare tire and/or wheel location & storage position)	Not Applicable

Brakes - Parking

Type of control	Lever - Hand Operated	
Location of control	Between Front Seat	
Operates on	Rear Service Brake	
If separate from service brakes	Type(internal or external)	Not Applicable
	Drum diameter	"
	Lining size (length x width x thickness)	"

MVMA Specifications

Vehicle Line Geo TRACKER
 Model Year 1994 Issued 9-93 Revised(*)

METRIC (U.S. Customary)

Model Code/Description And/Or
 Engine Code/Description

CONVERTIBLE

HARDTOP

Steering

Manual (std., opt., n.a.)		Standard		
Power (std., opt., n.a.)		Optional		
Speed-sensitive (std., opt., n.a.)		Not Applicable		
4-wheel steering (std., opt., n.a.)		Not Applicable		
Adjustable steering wheel/ column (tilt, telescope, other)	Type	Tilt		
	Manufacturer	Douglas Autotech Corp.		
	(std., opt., n.a.)	Optional		
Wheel diameter ** (W9) SAE J1100	Manual	390 mm (15.35 in.)		
	Power	Optional		
Turning diameter m (ft.)	Out-side front	Wall to wall (l. & r.)	10.5 (34.44)	
		Curb to curb (l. & r.)	9.8 (32.15)	
	In-side rear	Wall to wall (l. & r.)	Not Applicable	
		Curb to curb (l. & r.)	"	
Scrub Radius *		12 mm (0.47 in.)		
Manual	Gear	Type	Recirculating Ball	
		Manufacturer	NIPPON SEIKO K.K.	
		Ratios	Gear	18.5 - 21.0 (Variable)
			Overall	21.7
	No. wheel turns(stop to stop)		3.8	
Power	Type (coaxial, elec. hyd., etc.)		Hydraulic	
	Manufacturer		KOYO SEIKO CO., LTD.	
	Gear	Type	Recirculating Ball	
		Ratios	Gear	17.5
			Overall	19.4
	Pump (drive)		Belt	
No. wheel turns(stop to stop)		3.4		
Linkage	Type		Parallel Linkage	
	Location (front or rear of wheels, other)		Front	
	Tie Rods (one or two)		2	
Steering axis	Inclination at camber (deg.)		31	
	Bear-ings (type)	Upper	Ball Bearing	
		Lower	Ball Bearing	
		Thrust	Not Applicable	
Steering spindle/knuckle & joint type		Serrated Shaft		

* The horizontal distance in the front elevation between wheel centerline and kingpin (ball joint) axis at ground.
 ** See Page 22.

MVMA Specifications

Vehicle Line Geo TRACKER
 Model Year 1994 Issued 9-93 Revised(*) _____

METRIC (U.S. Customary)

Model Code/Description And/Or
 Engine Code/Description

CONVERTIBLE	HARDTOP
-------------	---------

Wheel Alignment

Front wheel at curb mass (wt.)	Service checking	Caster (deg.)	1.5
		Camber (deg.)	0.5
		Toe-in outside track - mm (in.)	2 - 6 mm (0.08 - 0.24 in.)
	Service reset*	Caster (deg.)	Not Applicable
		Camber (deg.)	"
		Toe-in - mm(in.)	Adjustable
	Periodic M.V. in-spection	Caster (deg.)	1.5 (+/-) 1
		Camber (deg.)	0.5 (+/-) 1
		Toe-in - mm(in.)	2 - 6 mm (0.08 - 0.24 in.)
Rear wheel at curb mass (wt.)	Service checking	Camber (deg.)	0
		Toe-in outside track - mm (in.)	0
	Service reset*	Camber (deg.)	Not Applicable
		Toe-in - mm(in.)	"
	Periodic M.V. in-spection	Camber (deg.)	0 (+/-) 1
		Toe-in - mm(in.)	0 (+/-) 2

* Indicates pre-set, adjustable, trend set or other.

Electrical - Instruments and Equipment

Speedometer	Type (analog, digital, std., opt.)	Analog
	Trip odometer (std., opt., n.a.)	Standard
Head-up display	Std., opt., not avail.	Not Applicable
	Type - Secondary, Opto-electronic	Not Applicable
	Speedometer Digital	Not Applicable
	Status/warn. indicators - Turn signals, high beam, low fuel, check gauges	Not Applicable
	Brightness control Day/night mode, adj.	Not Applicable
EGR maintenance indicator		Not Applicable
Charge indicator	Type	Not Available
	Warning device (light, audible)	Tell-Tale Warning Light
Temperature indicator	Type	Analog Gauge With Pointer
	Warning device	Not Applicable
Oil pressure indicator	Type	Not Applicable
	Warning device	Tell-Tale Warning Light
Fuel indicator	Type	Analog Gauge With Pointer
	Warning device	Not Applicable
Windshield wiper	Type (standard)	Electric 2-Speed + Intermittent
	Type (optional)	Not Applicable
	Blade length	434 mm (17.09 in.)
	Swept area sq cm (sq in)	5,308 (17.09)
Windshield washer	Type (standard)	Electric, Lever Control: PULL
	Type (optional)	Not Applicable
	Fluid level indicator	"
Rear window wiper, wiper/washer (std., opt., n.a.)		Optional
Horn	Type	Electric Resonator
	Number used	1
Other		

MVMA Specifications

Vehicle Line Geo TRACKER
 Model Year 1994 Issued 9-93 Revised(*) _____

METRIC (U.S. Customary)

Engine Code/Description 1.6 LITER L4 (97 CID)
ELECTRONIC FUEL INJECTION RPO LS5

Electrical - Supply System

Battery	Manufacturer	DELCO REMY
	Model, std., (opt.)	Standard 26-500
	Voltage	12
	Amps at 0 deg F cold crnk	500
	Minutes-reserve capacity	75
	Amps/hrs. - 20 hr. rate	45
	Location	RH Side Of Engine Compartment
Alternator	Manufacturer	MITSUBISHI ELECTRIC CORP.
	Rating (idle/max. rpm)	55
	Ratio (alt. crank/rev.)	2.38:1
	Output at idle (rpm, park)	30 (800)
	Optional (type & rating)	Not Applicable
Regulator	Type	Integral With Alternator

Electrical - Starting System

Motor	Manufacturer	MITSUBISHI ELECTRIC CORP.
	Current drain 0 deg C (F)	200 A max.
	Power rating kw (hp)	MT: 1.2 (1.6), AT: 1.4 (1.9)
Motor drive	Engagement type	Positive Shift Solenoid
	Pinion engages from (front, rear)	Front

Electrical - Ignition System

Type	Electronic (std, opt, n.a.)	Not Applicable	
	Other (specify)	High Energy Ignition (Integral With Distributor)	
Coil	Manufacturer	Mitsubishi Electric Corp.	
	Model	J002T01672ZC	
	Current	Engine stopped-A	0
		Engine idling - A	1.5 max.
Spark plug	Manufacturer	NGK, NIPPON DENSO	
	Model	BPR5ES, W16EXR-U	
	Thread (mm)	M14 x 1.25	
	Tightening torque Newton meters (lb. ft.)	20 - 30 (15 - 22)	
	Gap	0.8 mm (0.03 in.)	
	Number per cylinder	1	
Distributor	Manufacturer	Mitsubishi Electric Corp.	
	Model	2V: T002T53471, 4V: T002T53971	

Electrical - Suppression

Locations & type	High Tension Cord With Resistor Spark Plug With Resistor
------------------	---

NOTE: "2V" indicates 2V engine and "4V" indicates 4V engine.

MVMA Specifications

Vehicle Line Geo TRACKER
 Model Year 1994 Issued 9-93 Revised(*) _____

METRIC (U.S. Customary)

Model Code/Description

CONVERTIBLE HARDTOP

Body

Structure	Body With Chassis Frame
Bumper System Front - Rear	Front: Energy Absorption Type By P.P. Foam Rear: P.P. Skin With Steel Core
Anti-Corrosion Treatment	1. Surface Treated Steel Plates 2. Vinyl Chloride Coating (Bottom/Side Of Floor)

Body - Miscellaneous Information

Type of finish (lacquer, enamel, other)	Enamel	
Hood	Material & mass	Steel, 10.8 kg (23.8 lbs.)
	Hinge location (front, rear)	Rear
	Type (counterbalance, prop)	Prop
	Release control (int., ext.)	Internal And External
Trunk lid	Material & mass	Not Applicable
	Type (counterbalance, other)	"
	Internal release control (elec., mech., n.a.)	"
Hatch-back lid	Material & mass	Not Applicable
	Type (counterbalance, other)	"
	Internal release control (elec., mech., n.a.)	"
Tailgate	Material & mass	Steel, 13.8 kg (30.4 lbs.) 22.1 kg (48.7 lbs)
	Type (drop, lift, door)	Door
	Internal release control (elec., mech., n.a.)	Not Applicable
Vent window control (crank, friction, pivot, power)	Front	"
	Rear	Pivot
Window regulator type (cable, tape, flex drive, etc.)	Front	Cable
	Rear	Not Applicable
Seat cushion type (e.g., 60/40, bucket, bench wire, foam, etc.)	Front	Bucket
	Rear	Bench Bucket
	3rd seat	Not Applicable
Seat back type (e.g., 60/40, bucket, bench, wire, foam, etc.)	Front	Bucket
	Rear	Bench Bucket
	3rd seat	Not Applicable

Frame

Type and description (separate frame, unitized frame, partially-unitized frame)	Separate Frame
---	----------------

MVMA Specifications

Vehicle Line Geo TRACKER
 Model Year 1994 Issued 9-93 Revised(*)

METRIC (U.S. Customary)

Model Code/Description

CONVERTIBLE

HARDTOP

Restraint System

Seating Position			Left	Center	Right
Active	Type & description (lap & shoulder belt, lap belt, etc.)	First seat	Lap & Shoulder Belt ELR, Standard		Lap & Shoulder Belt ELR-ALR, Standard
		Second seat	Lap & Shoulder Belt ELR-ALR, Standard		Lap & Shoulder Belt ELR-ALR, Standard
	Standard/ optional	Third seat			
Passive	Type & description (air bag, motorized-2-point belt, fixed belt, knee bolster, manual-lap belt)	First seat			
		Second seat			
	Standard/ optional	Third seat			

Glass	SAE Ref No		
Windshield glass exposed surface area sq. cm. (sq. in.)	S1	8,315 (1,288)	
Side glass exposed surface area sq. cm. (sq. in.) - total 2- sides	S2	8,540 (1,324)	17,040 (2,641)
Backlight glass exposed surface area sq. cm. (sq. in.)	S3	Not Applicable	5,472 (848)
Total glass exposed surface area sq. cm. (sq. in.)	S4	16,855 (2,612)	30,827 (4,777)
Windshield glass (type/thickness)		Laminated Glass, 4.76 mm (0.19 in.)	
Side glass (type/thickness)		Tempered Glass, 3.5 mm (0.14 in.)	
Backlight glass (type/thickness)		Tempered Glass, 3.1 mm (0.12 in.)	
Tinted (yes/no, location)		Yes - Windshield Glass, Side Glass, Backlight Glass	
Solar control (yes/no, coated/batched, location)		No	

Headlamps

Description - sealed beam, halogen, replaceable bulb, etc.	Halogen, Replaceable Bulb
Shape	Composite
Lo-beam type (2A1, 2B1, 2C1, etc.)	
Quantity	2
Hi-beam type (1A1, 2A1, 1C1, 2C1, etc.)	
Quantity	2

MVMA Specifications

Vehicle Line Geo TRACKER
 Model Year 1994 Issued 9-93 Revised _____

METRIC (U.S. Customary)

Engine Code/Description

CONVERTIBLE	HARDTOP
-------------	---------

Climate Control System

Air conditioning (std., opt., man., auto.)		Optional, Manual
Condenser	Type	Corrugated Fin
	Eff. face area (sq. mm.)	154,405
	Fins per inch	11.2
Evaporator	Type	Single Tank Laminated
	Eff. face area (sq. mm.)	40,300
	Fins per inch	14.5
Heater Core	Material	Copper
	Eff. face area (sq. mm.)	19,670
	Fins per inch	23.6
Compressor	Type	Swash
	Displacement (cc)	99.8
	Manufacturer	SANDEN Co.
	A/C pulley ratio	TBD
Accumulator	Type	Not Applicable
	Height (mm.)	"
	Diameter (mm.)	"
Receiver	Type	Dryer, Sight Glass, Safety Device
	Height (mm.)	187
	Diameter (mm.)	60
Refrigerant control (CCOT, TVS, etc.)		Thermostatic Expansion Valve
Heater water valve (yes / no)		No
Refrigerant (R - 12, R - 134a, etc.)		R-134a
Charge level (lbs. - oz.)		1.32 lbs.
Cold engine lockout switch (yes / no)		No
Wide open throttle cutout switch (yes / no)		No

MVMA Specifications

Vehicle Line Geo TRACKER
 Model Year 1994 Issued 9-93 Revised(*)

METRIC (U.S. Customary)

Model Code/Description

CONVERTIBLE

HARDTOP

Convenience Equipment (standard, optional, n.a.)

	Clock (digital, analog)	Optional, Digital, Integral With Radio
	Compass / thermometer	Not Applicable
	Console (floor, overhead)	Standard, Floor (4WD Models)
	Defroster, electric windshield	Not Applicable
	Defroster, electric backlight	Not Applicable Optional
Electronic	Diagnostic monitor (integrated, individual)	"
	Instrument cluster (list instruments)	"
	Keyless entry	"
	Tripminder (avg. spd. fuel)	"
	Voice alert (list items)	"
	Other	"
	Fuel door lock (remote, key, electric)	"
Lamps	Auto head on/off delay, dimming	"
	Cornering	"
	Courtesy (map, reading)	Standard, Map Lamp 1
	Door lock, ignition	Not Applicable
	Engine compartment	"
	Fog	"
	Glove compartment	"
	Trunk	"
	Illuminated entry system (list lamps, activation)	"
	Other	"
Mirrors	Day / night (auto. man.)	Standard, Manual
	L.H. (remote, pwr., heated)	Standard, Manual
	R.H.(convex, rmt, pwr, htd)	Standard, Convex
	Visor vanity (RH/LH illum.)	Not Applicable
	Navigation system (describe)	"
	Prkg. brake-auto release (warn. light)	"

MVMA Specifications

Vehicle Line Geo TRACKER
 Model Year 1994 Issued 9-93 Revised(*)

METRIC (U.S. Customary)

Model Code/Description

CONVERTIBLE

HARDTOP

Convenience Equipment (standard, optional, n.a.)

Power equipment	Deck lid(release, pull down)		Not Applicable
	Door locks (manual, auto., describe system)		"
	Seats	2 - 4 - 6 way, etc.	"
		Reclining(R.H., L.H.)	"
		Memory (R.H., L.H., preset, recline)	"
		Support (lumbar, hip, thigh, etc.)	"
		Heated (R.H., L.H., other)	"
	Side windows		"
	Vent windows		"
	Rear windows		"
Radio systems	Antenna (location, whip, w/shield, power)		Left Front Pillar, Whip
	Stan.		Antenna Only
	Opt.	AM, FM, stereo, tape, compact disc, graphic equalizer, theft deterrent, radio prep package, headphone jacks, etc.	AM/FM, ETR, Stereo AM/FM, ETR, Stereo With Cassette Tape Deck AM/FM, ETR, Stereo With Cassette Tape Deck & CD
	Speaker (number, location)		Opt. 2: I.P. Mounted, 2: Rear Quarter Trim
Roof: open air or fixed (flip-up, sliding, 'T')			Canvas, Flip-up Not Applicable
Speed control device			Not Applicable
Speed warn. dev. (light, buzzer, etc.)			"
Tachometer (rpm)			Standard
Telephone system (describe)			Not Applicable
Theft deterrent system			Steering Lock - Type

Trailer Towing

Towing capable	Yes / No	Yes
Engine/transmission/axle	Std / Opt	Standard
Tow class (I, II, III)*	Std / Opt	I, Optional
Max. gross trailer wgt. (lbs.)	Std / Opt	1,000
Max. trailer tongue load (lbs.)	Std / Opt	100
Towing package available	Yes / No	Yes

* Class I - 2,000 lbs. Class II - 3,500 lbs. Class III - 5,000 lbs.

MVMA Specifications

Vehicle Line Geo TRACKER
 Model Year 1994 Issued 9-93 Revised(*) _____

METRIC (U.S. Customary)

Vehicle Dimensions See Key Sheets for definitions

All dimensions to ground are for comparative purposes only. Dimensions are to be shown for all base body models of each vehicle line. SAE Ref. no. refers to the definition published in SAE Recommended Practice J1100 'Motor Vehicle Dimensions,' unless otherwise specified.

Model Code/Description	CONVERTIBLE	HARDTOP
------------------------	-------------	---------

Width	SAE Ref. No.	
Tread (front)	W101	1,395 (54.92)
Tread (rear)	W102	1,400 (55.12)
Vehicle width	W103	1,630 (64.17)
Body width at Sg RP (front)	W117	1,568 (61.65)
Vehicle width (front doors open)	W120	3,450 (135.83)
Vehicle width (rear doors open)	W121	Not Applicable
Tumble-home (deg.)	W122	15.5
Outside mirror width	W410	1,820 (71.65)

Length	SAE Ref. No.	
Wheelbase	L101	2,200 (86.61)
Vehicle length	L103	3,620 (142.52)
Overhang (front)	L104	655 (25.79)
Overhang (rear)	L105	765 (30.12)
Upper structure length	L123	2,285 (89.96) 2,301 (90.59)
Rear wheel C/L 'X' coordinate	L127	1,840 (72.44)

Height **	SAE Ref. No.	
Passenger distribution (front/rear)	PD1,2,3	2/2 **
Trunk/cargo load		1,595 (62.79) **
Vehicle height	H101	4WD: 1,654 (65.12), 2WD: 1,633 (64.29)
Cowl point to ground	H114	4WD: 1,103 (43.43), 2WD: 1,083 (42.64)
Deck point to ground	H138	---
Rocker panel-front to ground	H112	4WD: 292 (11.50), 2WD: 272 (10.71)
Rocker panel-rear to ground	H111	4WD: 309 (12.17), 2WD: 289 (11.38)
Windshield slope angle (deg.)	H122	45.0
Backlight slope angle (deg.)	H121	26 15

Ground Clearance **	SAE Ref. No.	
Front bumper to ground	H102	4WD: 327 (12.87), 2WD: 307 (12.09)
Rear bumper to ground	H104	4WD: 325 (12.80) 332 (13.07) 2WD: 305 (12.01)
Bumper to ground front at curb mass (wt.)	H103	4WD: 333 (13.11), 2WD: 314 (12.36)
Bumper to ground rear at curb mass (wt.)	H105	4WD: 342 (13.46), 2WD: 315 (12.40)
Angle of approach (deg.)	H106	4WD: 40, 2WD: 37
Angle of departure (deg.)	H107	4WD: 40, 2WD: 38
Ramp breakover angle (deg.)	H147	4WD: 23, 2WD: 21
Axle differential to ground (front/rear)	H153	4WD: 215/200 (8.46/7.87), 2WD: 193 (7.60)
Min. running ground clearance	H156	4WD: 200 (7.87), 2WD: 193 (7.60)
Location of min. run. grd. clear.		Rear Differential

** All Vehicle Height And Ground Clearance Are Made Using EPA Loaded Vehicle Weight, Loading Conditions.

EPA Loaded Vehicle Weight is the Base Vehicle Weight Plus All Coolant and Fluids Necessary For Operation Plus 100% Of The Fuel Capacity, Plus The Weight Of All Options And Accessories Which Weigh Three Pounds Or More And Which Are Sold On At Least 33% Of The Car Line, Plus Two Occupants.

All Linear Dimensions Are In Millimeters (Inches)

MVMA Specifications

Vehicle Line Geo TRACKER
 Model Year 1994 Issued 9-93 Revised(*)

METRIC (U.S. Customary) Vehicle Dimensions

See Key Sheets for Definitions

Model Code/Description

CONVERTIBLE

HARDTOP

Front Compartment

SAE Ref. No.

SgRP front. 'X' coordinate	L31	1,085 (42.71)	
Effective head room	H61	1,004 (39.53)	1,017 (40.04)
Max. eff. leg room (accelerator)	L34	1,069 (42.09)	
SgRP to heel point	H30	325 (12.80)	
SgRP to heel point	L53	820 (32.28)	
Back angle (deg.)	L40	20	
Hip angle (deg.)	L42	85.5	
Knee angle (deg.)	L44	122	
Foot angle (deg.)	L46	80	
Design H-point front travel	L17	180 (7.09)	
Normal driving & riding seat track trvl.	L23	180 (7.09)	
Shoulder room	W3	STD: 1,325 (52.17), LSI: 1,310 (51.57)	
Hip room	W5	STD: 1,316 (51.81), LSI: 1,310 (51.57)	
*** Upper body opening to ground	H50	4WD: 1,573 (61.93), 2WD: 1,553 (61.14)	
Steering wheel maximum diameter*	W9	390 (15.35)	
Steering wheel angle (deg.)	H18	31	
Accel. heel pt. to steer. whl. cntr	L11	337 (13.27)	
Accel. heel pt. to steer. whl. cntr	H17	715 (28.15)	
Undepressed floor covering thickness	H67	15 (0.59)	

Front Compartment Int. Dim. Are Measured With The Seating Ref. Pt.
 (SgRP) 0 mm Forward And 0 mm Upward of Rearmost Position.

Rear Compartment

SgRP point couple distance	L50	700 (27.56)	
Effective head room	H63	990 (38.27)	967 (38.08)
Min. effective leg room	L51	804 (31.65)	
SgRP (second to heel)	H31	385 (15.16)	
Knee clearance	L48	101 (3.98)	
Shoulder room	W4	1,275 (50.20)	
Hip room	W6	1,064 (41.89)	
*** Upper body opening to ground	H51	Not Applicable	
Back angle (deg.)	L41	20	
Hip angle (deg.)	L43	92	
Knee angle (deg.)	L45	80	
Foot angle (deg.)	L47	98	
Depressed floor covering thickness	H73	15 (0.59)	

Luggage Compartment

Usable luggage capacity L (cu. ft.)	V1	Not Applicable	
*** Liftover height	H195	687 (27.05)	

Interior Volumes (EPA Classification)

Vehicle class		Special Purpose Vehicle
Interior volume index (cu. ft.)**		117.3
Trunk / cargo index (cu. ft.)		32.9

* See page 14.

** Includes passenger and trunk / cargo index - see definition page 32.

*** EPA Loaded Vehicle Weight, Loading Conditions

All Linear Dimensions Are In Millimeters (Inches)

MVMA Specifications

Vehicle Line Geo TRACKER
 Model Year 1994 Issued 9-93 Revised(*)

METRIC (U.S. Customary) Vehicle Dimensions

See Key Sheets for Definitions

Model Code/Description

CONVERTIBLE	HARDTOP
-------------	---------

Station Wagon / MPV**

- Third Seat

SAE Ref. No. (NOT APPLICABLE)

Seat facing direction	SD1
SgRP couple distance	L85
Shoulder room	W85
Hip Room	W86
Effective leg room	L86
Effective head room	H86
SgRP to heel point	H87
Knee clearance	L87
Back angle (deg.)	L88
Hip angle (deg.)	L89
Knee angle (deg.)	L90
Foot angle (deg.)	L91

Station Wagon / MPV** Cargo Space

Cargo length (open front)	L200	---
Cargo length (open second)	L201	---
Cargo length (closed front)	L202	STD: 793(31.22) LSi: 787(30.98) STD:788(31.02) LSi: 782(30.78)
Cargo length (closed second)	L203	STD: 320(12.60) LSi: 316(12.44) STD:315(12.40) LSi: 311(12.24)
Cargo length at belt (front)	L204	STD: 707(27.83) LSi: 662(26.06) STD:702(27.63) LSi: 657(25.86)
Cargo length at belt (second)	L205	STD: 196(7.71) LSi: 178(7.01) STD:191(7.51) LSi: 173(6.81)
Cargo width (wheelhouse)	W201	1,060 (41.73)
Rear opening width at floor	W203	1,110 (43.70)
Opening width at belt	W204	1,112 (43.78)
Min. rear opening width above belt	W205	900 (35.43) 935 (36.8)
Cargo height	H201	1,010 (39.76)
Rear opening height	H202	870 (32.25)
Tailgate to ground height	H250	4WD: 690 (27.17), 2WD: 670 (26.38)
Front seat back to load floor height	H197	750 (29.53)
Cargo volume index cu. m. (cu. ft.)	V2	0.91 (32.13) 0.904 (31.92)
Hidden cargo vol. index cu. m. (cu. ft.)	V4	Not Applicable
Cargo volume index-rear of 2-seat	V10	0.23 (8.11)
Cargo volume index**	V8	932 liters
Cargo width at floor**	W500	1,280 (50.39)
Maximum cargo height**	H505	1030 (40.55)

Hatchback - Cargo Space

(NOT APPLICABLE)

Cargo length at front seatback height	L208
Cargo length at floor (front)	L209
Cargo length at second seatback height	L210
Cargo length at floor (second)	L211
Front seatback to load floor height	H197
Second seatback to load floor height	H198
Cargo volume index cu. m. (cu. ft.)	V3
Hidden cargo vol. index cu. m. (cu. ft.)	V4
Cargo volume index-rear of 2-seat	V11

* EPA Loaded Vehicle Weight, Loading Conditions

** MPV - Multipurpose Vehicle

All Linear Dimensions Are in Millimeters (Inches)

MVMA Specifications

Vehicle Line Geo TRACKER
 Model Year 1994 Issued 9-93 Revised(*)

METRIC (U.S. Customary)

Model Code/ Description	CONVERTIBLE HARDTOP
----------------------------	------------------------

Vehicle Fiducial Marks

Fiducial Mark Number*	Define Coordinate Location
Front	Front: Center Of 20 mm Dia. Hole On "Side Frame Center".
Rear	Rear: Center Of 17 mm Dia. Hole On "Reinforcement Side Frame Center End".
NOTE: Provide 3 of 4 Fiducial Mark Locations	
Front	W21** 373/-373 (14.69/-14.69)
	L54** -58 (-2.28)
	H81** -67 (-2.64)
	*** H181** 218 (8.58)
	*** H183** 207 (8.15)
Rear	W22** 405/-405 (15.94/-15.94)
	L55** 1,560 (61.42)
	H82** -20 (-0.79)
	*** H182** 265 (10.43)
	*** H184** 247 (9.72)

* Reference - SAE Recommended Practice, J182, Motor Vehicle Fiducial Marks.
 ** Reference - SAE Recommended Practice J1100 - Motor Vehicle Dimensions.
 *** EPA Loaded Vehicle Weight, Loading Conditions
 All Linear Dimensions Are In Millimeters (Inches)

MVMA Specifications

METRIC (U.S. Customary)

Vehicle Line Geo TRACKER

Model Year 1994 Issued 9-93 Revised _____

Code	Model	VEHICLE MASS (weight)					% PASS MASS DISTRIBUTION			
		CURB MASS, kg. (lb.)*			SHIPPING MASS kg (lb) ***	ETWC** Code	PASS IN FRONT		PASS IN REAR	
		Front	Rear	Total			Front	Rear	Front	Rear
Geo TRACKER (J10367) (Federal) Convertible, 4WD, Base, M/T		590 (1298)	485 (1067)	1075 (2365)	1048 (2301)	N	34	66	2	98
Geo TRACKER (J10316) (Federal) Hardtop, 4WD, Base, M/T		590 (1298)	495 (1089)	1085 (2387)	1056 (2323)	N	34	66	2	98
Geo TRACKER (E10367) (Federal) Convertible, 2WD, Base, M/T		520 (1144)	475 (1045)	995 (2189)	966 (2125)	M	34	66	2	98

* Reference - SAE J1100 Motor vehicle dimensions; curb weight definition.
 ** ETWC - Equivalent Test Weight Class - basis for U.S. Environmental Protection Agency emission certifications.
 Refer to ETWC code legend below for test weight class.

ETWC LEGEND

A = 1000	I = 2000	Q = 3000	Y = 4000
B = 1125	J = 2125	R = 3125	Z = 4250
C = 1250	K = 2250	S = 3250	AA = 4500
D = 1375	L = 2375	T = 3375	BB = 4750
E = 1500	M = 2500	U = 3500	CC = 5000
F = 1625	N = 2625	V = 3625	DD = 5250
G = 1750	O = 2750	W = 3750	EE = 5500
H = 1875	P = 2875	X = 3875	FF = 5750

*** Shipping Mass (weight) = Curb Weight Less:

29 (64)

MVMA Specifications
METRIC (U.S. Customary)

Vehicle Line Geo TRACKER
 Model Year 1994 Issued 9-93 Revised(*) _____

Optional Equipment Differential Mass: (weight)*

Code	Equipment	MASS, kg. (lb.)			Remarks Restrictions, Requirements
		Front	Rear	Total	
	Automatic Transmission	10.8 (23.8)	7.2 (15.9)	18.0 (39.7)	
	Rear Window Wiper Washer	0 (0)	1.4 (3.1)	1.4 (3.1)	
	LSi Interior Trim	0.8 (1.8)	4.2 (9.3)	5.0 (11.1)	
	Air Conditioning	13.8 (30.4)	2.4 (5.3)	16.2 (35.7)	
	Front Skid Plate	9.7 (21.4)	0.7 (1.5)	10.4 (22.9)	
	4 Valve Engine (For California)	13.0 (28.6)	2.0 (4.4)	15.0 (33.0)	
	Power Steering	8.0 (17.6)	0 (0)	8.0 (17.6)	

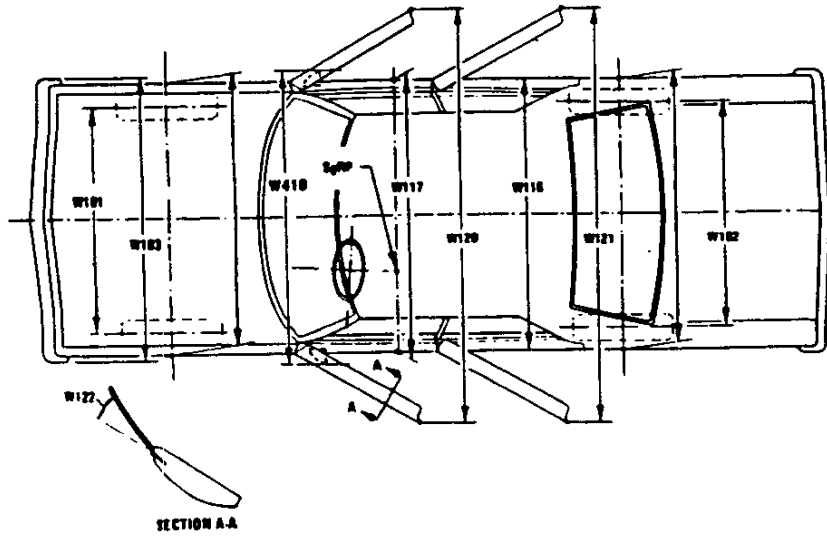
* Also see Engine - General Section for dressed engine mass (weight).

MVMA Specifications

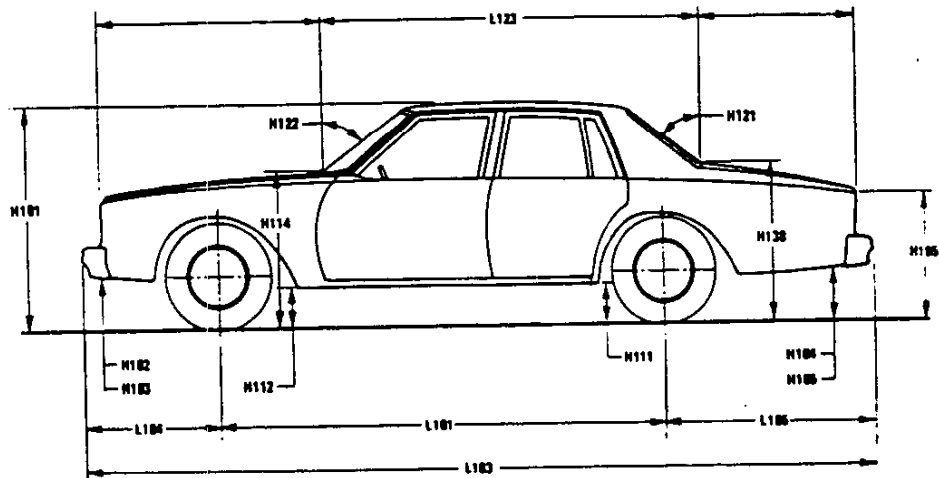
METRIC (U.S. Customary)

Exterior Vehicle And Body Dimensions – Key Sheet

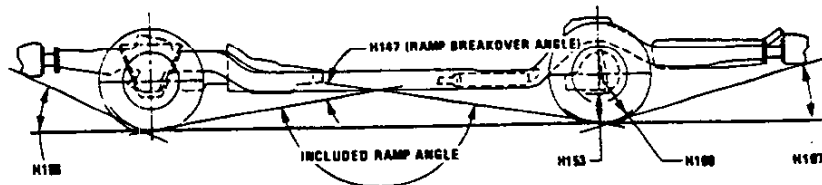
Exterior Width



Exterior Length & Height



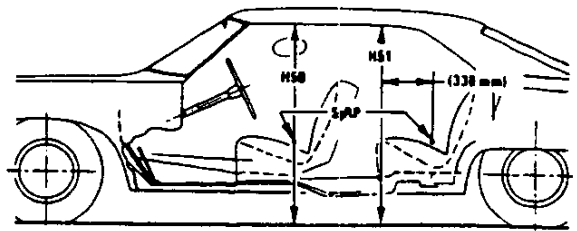
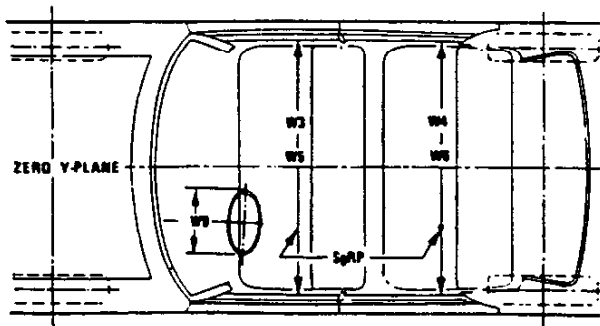
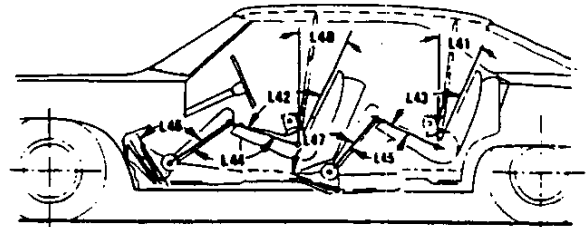
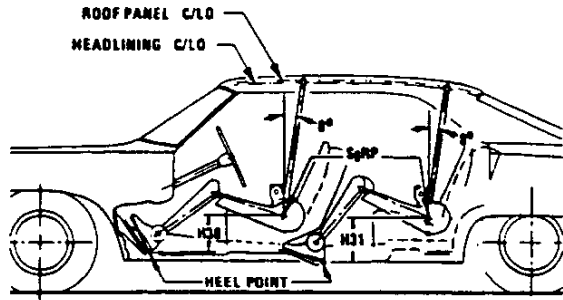
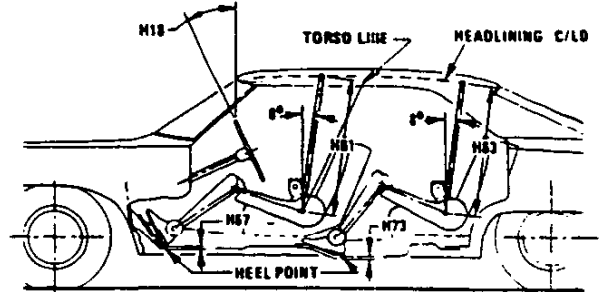
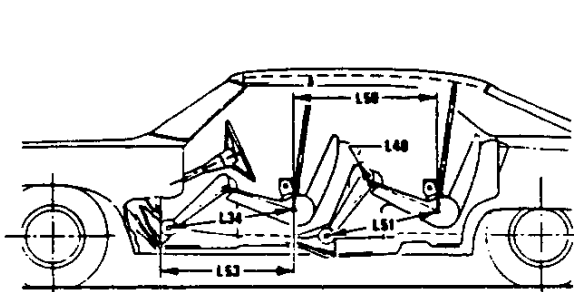
Exterior Ground Clearance



MVMA Specifications Form

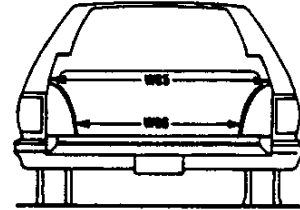
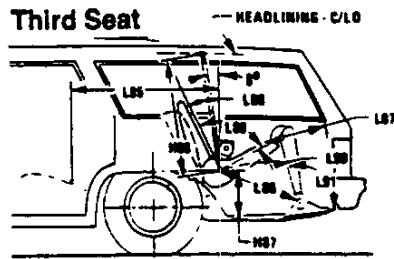
METRIC (U.S. Customary)

Interior Vehicle And Body Dimensions – Key Sheet

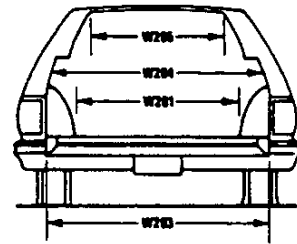
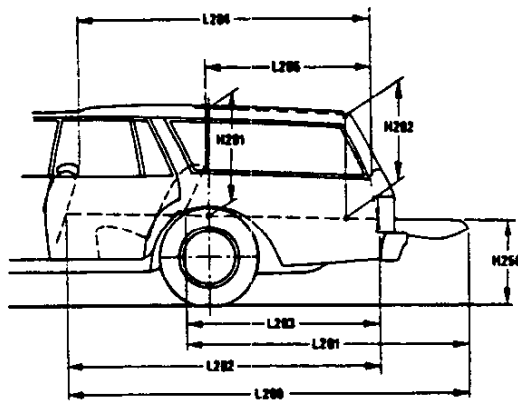


MVMA Specifications
METRIC (U.S. Customary)

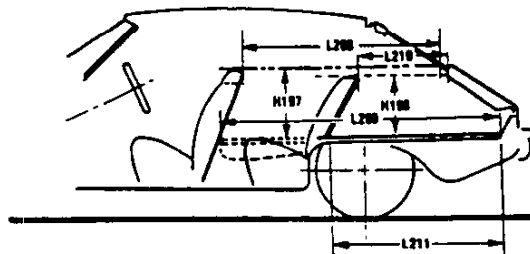
Interior Vehicle And Body Dimensions – Key Sheet



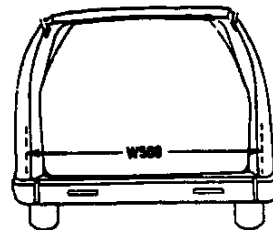
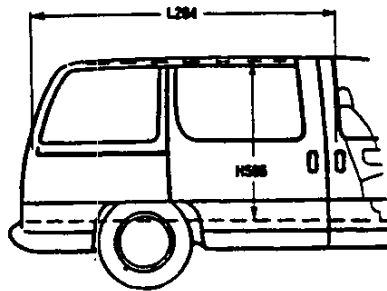
Cargo Space



Station Wagon



Hatchback



Multipurpose Vehicle

MVMA Specifications

METRIC (U.S. Customary)

Exterior Vehicle And Body Dimensions – Key Sheet Dimensions Definitions

Seating Reference Point

SEATING REFERENCE POINT means the manufacturer's design reference point which –

- (a) Establishes the rearmost normal design driving or riding position of each designated seating position in a vehicle;
- (b) Has coordinates established relative to the design vehicle structure;
- (c) Simulates the position of the pivot center of the human torso and thigh; and
- (d) Is the reference point employed to position the two dimensional templates described in SAE Recommended Practice J826, "Devices for Use in Defining and Measuring Vehicle Seating Accommodations."

Width Dimensions

- W101 TREAD – FRONT. The dimension measured between the tire centerlines at the ground.
- W102 TREAD – REAR. The dimension measured between the tire centerlines at the ground. In case of dual wheels, the dimension will be measured to the centerline of tire and wheel assemblies.
- W103 VEHICLE WIDTH. The maximum dimension measured between the widest point on the vehicle, excluding exterior mirrors, flexible mud flaps, marker lamps, but including bumpers, moldings, sheet metal protrusions or dual wheels, if standard equipment.
- W117 BODY WIDTH AT SgRP – FRONT. The dimension measured laterally between the widest points on the body at the SgRP-front, excluding door handles, applied moldings, or appliques.
- W120 VEHICLE WIDTH – FRONT DOORS OPEN. The dimension measured between the widest point on the front doors in maximum hold-open position.
- W121 VEHICLE WIDTH – REAR DOORS OPEN. The dimension measured between the widest point on the rear doors in maximum hold-open position. For vehicles with a rear door on only one side, this dimension is to the zero "Y" plane.
- W122 TUMBLE – HOME. STRAIGHT SIDE GLASS. The angle measured from a vertical to the outside surface of the front door glass at the SgRP "X" plane.
CURVED SIDE GLASS. The angle measured from a vertical to a chord extending from the upper DLO to the lower DLO at the outside surface of the front door glass at the front SgRP "X" plane.
- W410 OUTSIDE MIRROR WIDTH: The dimension between the widest point on the outside mirrors. The standard right and left mirror adjusted for normal driving will be shown unless otherwise noted. When only one outside mirror is standard, the dimension will be to the zero "Y" plane.

Length Dimensions

- L101 WHEELBASE (WB). The dimension measured longitudinally between front and rear wheel centerlines. In case of dual rear axles, the dimension shall be to the midpoint of the centerlines of the rear wheels.
- L103 VEHICLE LENGTH. The maximum dimension measured longitudinally between the foremost point and the rearmost point on the vehicle, including bumper, bumper guards, tow hooks and/or rub strips, if standard equipment.
- L104 OVERHAND – FRONT. The dimension measured longitudinally from the centerline of the front wheels to the foremost point on the vehicle including bumper, bumper guards, tow hooks and/or rub strips, if standard equipment.
- L105 OVERHANG – REAR. The dimension measured longitudinally from the centerline of the rear wheels; or in the case of dual rear axles, the dimension shall be the midpoint of the centerlines of the rear wheels, to the rearmost point on the vehicle including rear bumpers, bumper guards, tow hooks and rub strips, if standard equipment.

L123 UPPER STRUCTURE LENGTH. The dimension measured longitudinally from the cowl point to the deck point.

L127 REAR WHEEL CENTERLINE "X" COORDINATE or in the case of dual rear axles, the coordinate shall be the midpoint of the distance between the rear axle centerlines.

Height Dimensions

- H101 VEHICLE HEIGHT. The dimension measured vertically from the highest point on the vehicle body to ground.
- H111 ROCKER PANEL – REAR TO GROUND. The dimension measured vertically from the bottom of the rocker or side quarter panel at the front of the rear wheel opening, excluding flanges, to ground.
- H112 ROCKER PANEL – FRONT TO GROUND. The dimension measured vertically from the foremost point on the bottom of the rocker panels, excluding flanges, to ground.
- H114 COWL POINT TO GROUND. Measured at zero "Y" plane.
- H121 BACKLIGHT SLOPE ANGLE. The angle between the vertical reference line and the surface of backlight at vehicle zero "Y" plane. For curve backlight, the angle is to chord of backlight arc from lower DLO to upper DLO.
- H122 WINDSHIELD SLOPE ANGLE. The angle between the vertical reference line and a chord of the windshield arc running from the lower DLO to the upper DLO at the vehicle zero "Y" plane. In the case of wrap over glass, the angle to be measured will be formed by a chord 457 mm (18.0 in.) long drawn from the lower DLO to the intersecting point on the windshield.
- H138 DECK POINT TO GROUND. Measured at zero "Y" plane.
- H109 STATIC LOAD – TIRE RADIUS – REAR. Specified by the manufacturer in accordance with composite TIRE SECTION STANDARD.

Ground Clearance Dimensions

- H102 FRONT BUMPER TO GROUND. The minimum dimension measured vertically from the lowest point on the front bumper to ground, including bumper guards, if standard equipment.
- H103 FRONT BUMPER TO GROUND – CURB MASS (WT.). Measured in the same manner as H102.
- H104 REAR BUMPER TO GROUND. The minimum dimension measured vertically from the lowest point on the rear bumper to ground, including bumper guards, if standard equipment.
- H105 REAR BUMPER TO GROUND – CURB MASS (WT.). Measured in the same manner as H104.
- H106 ANGLE OF APPROACH. The angle measured between a line tangent to the front tire static loaded radius arc and the initial point of structural interference forward of the front tire to ground. The limiting structural component shall be designated.
- H107 ANGLE OF DEPARTURE. The angle measured between a line tangent to the rear tire static loaded radius arc and the initial point of structural interference rearward of the rear tire to ground. The limiting component shall be designated.
- H147 RAMP BREAKOVER ANGLE. The angle measured between two lines tangent to the front and rear tire static loaded radius and intersecting at a point on the underside of the vehicle which defines the largest ramp over which the vehicle can roll.
- H153 REAR AXLE DIFFERENTIAL TO GROUND. The minimum dimension measured from the rear axle differential to ground.
- H156 MINIMUM RUNNING GROUND CLEARANCE. The minimum dimension measured from the sprung vehicle to ground. Specify location.

MVMA Specifications

METRIC (U.S. Customary)

Interior Vehicle And Body Dimensions – Key Sheet Dimensions Definitions

Glass Areas

- S1 Windshield area.
- S2 Side windows area. Includes the front door, rear door, vents, and rear quarter windows on both sides of the vehicle.
- S3 Backlight areas.
- S4 Total area. Total of all areas (S1 + S2 + S3).

Fiducial Mark Dimensions

- Fiducial Mark – Number 1**
- L54 "X" coordinate.
- W21 "Y" coordinate.
- H81 "Z" coordinate.
- H161 Height "Z" coordinate to ground at curb weight.
- H163 Height "Z" coordinate to ground.
- Fiducial Mark – Number 2**
- L55 "X" coordinate.
- W22 "Y" coordinate.
- W82 "Z" coordinate.
- H162 Height "Z" coordinate to ground at curb weight.
- H164 Height "Z" coordinate to ground.

Front Compartment Dimensions

- L11 ACCELERATOR HEEL POINT TO STEERING WHEEL CENTER. The dimension measured horizontally from the AHP to the intersection of the steering column centerline and a plane tangent to the upper surface of the steering wheel rim.
- L17 DESIGN H-POINT – FRONT TRAVEL. The dimension measured horizontally between the design H-point – front in the foremost and rearmost seat track positions. (See SAE J1100)
- L23 NORMAL DRIVING AND RIDING SEAT TRACK TRAVEL. The dimension measured horizontally between a point on the design H-point travel line from the SgRP to the displaced point on the design H-point travel line with the seat moved to the foremost seat position, but not to include seat track travel used for purposes other than normal driving and riding positions. (See SAE J1100).
- L31 SgRP – FRONT. "X" COORDINATED.
- L34 MAXIMUM EFFECTIVE LEG ROOM – ACCELERATOR. The dimension measured along a line from the ankle pivot center to the SgRP – front plus 254 mm (10.0 in.) measured with right foot on the undepressed accelerator pedal. For vehicles with SgRP to heel (H30) greater than 18 in., the accelerator pedal may be depressed as specified by the manufacturer. If the accelerator is depressed, the manufacturer shall place foot flat on pedal and note the depression of the pedal.
- L-40 BACK ANGLE – FRONT. The angle measured between a vertical line through the SgRP – front and the torso line. If the seatback is adjustable, use the normal driving and riding position specified by the manufacturer.
- L-42 HIP ANGLE – FRONT. The angle measured between torso line and thigh centerline.
- L44 KNEE ANGLE – FRONT. The angle measured between thigh centerline and lower leg centerline measured on the right leg.
- L46 FOOT ANGLE – FRONT. The angle measured between the lower leg centerline and a line tangent to the ball and heel of the bare foot flesh line measured on the right leg. Ref SAE J826.
- L53 SgRP – FRONT TO HEEL. The dimension measured horizontally from the SgRP – front to the accelerator heel point.
- W3 SHOULDER ROOM – FRONT. The minimum dimension measured laterally between the trimmed surfaces on the "X" plane through the SgRP – front at height between the belt line and 254 mm (10.0 in.) above the SgRP – front, excluding the door assist strap and attaching parts.

- W5 HIP ROOM – FRONT. The minimum dimension measured laterally between the trimmed surfaces on the "X" plane through the SgRP – front within 25 mm (1.0 in.) below and 76 mm (3.0 in.) above the SgRP – front and 76 mm (3.0 in.) fore and aft of the SgRP – front.
- W9 STEERING WHEEL MAXIMUM OUTSIDE DIAMETER. Define if other than round.
- H7 ACCELERATOR HEEL POINT TO THE STEERING WHEEL CENTER. The dimension measured vertically from the AHP – front to the intersection of the steering column centerline to a plane tangent to the upper surface of the steering wheel rim.
- H18 STEERING WHEEL ANGLE. The angle measured from a vertical to the surface plane of the steering wheel.
- H30 SgRP – FRONT TO HEEL. The dimension measured vertically from the SgRP – front to the accelerator heel point.
- H50 UPPER BODY OPENING TO GROUND – FRONT. The dimension measured vertically from the trimmed body opening to the ground on the SgRP – front "X" plane.
- H61 EFFECTIVE HEAD ROOM – FRONT. The dimension measured along a line 8 deg. rear of vertical from the SgRP – front to the headlining plus 102 mm (4.0 in.).
- H67 FLOOR COVERING THICKNESS – UNDEPRESSED – FRONT. The dimension measured vertically from the surface of the undepressed floor covering to the underbody sheet metal at the accelerator heel point.

Rear Compartment Dimensions

- L-41 BACK ANGLE – SECOND. The angle measured between a vertical line through the SgRP – second and the torso line.
- L43 HIP ANGLE – SECOND. The angle measured between torso line and thigh centerline.
- L45 KNEE ANGLE – SECOND. The angle measured between thigh centerline and lower leg centerline.
- L47 FOOT ANGLE – SECOND. The angle measured between the lower leg centerline and a line tangent to the ball and heel of the three-dimensional devices bare foot flesh line (Reference J826).
- L48 KNEE CLEARANCE – SECOND. The minimum dimension measured from the knee pivot center to the back of the front seatback minus 51 mm (2.0 in.).
- L50 SgRP COUPLE DISTANCE – SECOND. The dimension measured horizontally from the driver SgRP – front to the SgRP – second.
- L51 MINIMUM EFFECTIVE LEG ROOM – SECOND. The dimension measured along a line from the ankle pivot center to the SgRP – second plus 254 mm (10.0 in.).
- W4 SHOULDER ROOM – SECOND. The minimum dimension measured laterally between door or quarter trimmer surfaces on the "X" plane through the SgRP – second at height between 254-406 mm (10.0-16.0 in.) above the SgRP – second, excluding the door assist straps and attaching parts.
- W6 HIP ROOM – SECOND. Measured in the same manner as W5.
- H31 SgRP – SECOND TO HEEL. The dimension measured vertically from the SgRP – second to the two dimensional device heel point on the depressed floor covering.
- H51 UPPER BODY OPENING TO GROUND – SECOND. The dimension measured vertically from the trimmed body opening to the ground on the "X" plane 330 mm (13.0 in.) forward of the SgRP – second.
- H63 EFFECTIVE HEAD ROOM – SECOND. The dimension measured along a line 8 deg. rear of vertical from the SgRP to the headlining, plus 102 mm (4.0 in.).
- H73 FLOOR COVERING – DEPRESSED – SECOND. The dimension measured vertically from the heel point to the underbody sheet metal.

MVMA Specifications

METRIC (U.S. Customary)

Interior Vehicle And Body Dimensions – Key Sheet Dimensions Definitions

Luggage Compartment Dimensions

V1 USABLE LUGGAGE CAPACITY – Total of volumes of individual pieces of standard luggage set plus H-boxes stowed in the luggage compartment in accordance with the procedure described in paragraph 8.2 of SAE-J1100a.

Interior Volumes (EPA Classification)

The Interior Volume Index is listed for each body style except two seaters. The Interior Volume Index estimates the space in a car. It is based on four measurements – head room, shoulder room, hip room, and leg room – for the front and rear seats, plus trunk capacity.

The Trunk/Cargo Index is an estimate of the size of the trunk/cargo space. In station wagons and hatchbacks it is an estimate of the space behind the second seat.

Station Wagon / MPV – Third Seat Dimensions

- L85 SgRP COUPLE DISTANCE – THIRD. The dimension measured horizontally from the SgRP – second to the SgRP – third.
- L86 EFFECTIVE LEG ROOM – THIRD. The dimension measured along a line from the ankle pivot center to the SgRP – third plus 254 mm (10.0 in.).
- L87 KNEE CLEARANCE – THIRD. The minimum dimension from the knee pivot center to the back of second seatback minus a constant of 51 mm (2.0 in.). With rear-facing third seat, dimension is measured to closure.
- L88 BACK ANGLE – THIRD. Measured in the same manner as L41.
- L89 HIP ANGLE – THIRD. Measured in the same manner as L43.
- L90 KNEE ANGLE – THIRD. Measured in the same manner as L45.
- L91 FOOT ANGLE – THIRD. Measured in the same manner as L47.
- W85 SHOULDER ROOM – THIRD. Measured in the same manner as W4.
- W86 HIP ROOM – THIRD. Measured in the same manner as W5.
- H86 EFFECTIVE HEAD ROOM – THIRD. The dimension, measured along a line 8 deg. from the SgRP – third to the headlining rear of vertical plus a constant of 102 mm (4.0 in.).
- H87 SgRP – THIRD TO HEEL POINT.
- SD1 SEAT FACING DIRECTION – THIRD.

Station Wagon / MPV – Cargo Space Dimensions

- L200 CARGO LENGTH – OPEN – FRONT. The minimum dimension measured longitudinally from the back of the front seatback at the height of the undepressed floor covering to the rearmost point on the undepressed floor covering on the open tailgate or cargo surface if the rear closure is a conventional door type tailgate at the zero "Y" plane.
- L201 CARGO LENGTH – OPEN – SECOND. The dimension measured longitudinally from the back of the second seatback at the height of the undepressed floor covering to the rearmost point on the undepressed floor covering on the open tailgate or cargo floor surface if the rear closure is a conventional door type tailgate, at the zero "Y" plane.

- L202 CARGO LENGTH – CLOSED – FRONT. The minimum dimension measured horizontally from the back of the front seat at the height of the undepressed floor covering to the rearmost point on the undepressed floor covering on the closed tailgate or taildoor for station wagons, trucks and mpv's at the zero "Y" plane.
- L203 CARGO LENGTH – CLOSED – SECOND. The dimension measured horizontally from the back of the second seat at the height of the undepressed floor covering to the rearmost point on the undepressed floor covering on the closed tailgate or taildoor for station wagons, trucks and mpv's at the zero "Y" plane.
- L204 CARGO LENGTH AT BELT – FRONT. The minimum dimension measured horizontally from the back of the front seatback at the seatback top to the foremost normal surface of the closed tailgate or inside surface of the cab backpanel at the height of the belt, on the zero "Y" plane.
- L205 CARGO LENGTH AT BELT – SECOND. The minimum dimension measured horizontally from the back of the second seatback at the seatback top to the foremost normal surface of the closed tailgate at the height of the belt, on the zero "Y" plane.
- W201 CARGO WIDTH – WHEELHOUSE. The minimum dimension measured laterally between the trimmed wheelhousings at floor level. For any vehicle not trimmed, measure to the sheet metal.
- W203 REAR OPENING WIDTH AT FLOOR. The minimum dimension measured laterally between the limiting interferences of the rear opening at floor level.
- W204 REAR OPENING WIDTH AT BELT. The minimum dimension measured laterally between the limiting interferences of the rear opening at belt height or top of pick up box.
- W205 REAR OPENING WIDTH ABOVE BELT. The minimum dimension measured laterally between the limiting interferences of the rear opening above the belt height.
- W500 CARGO WIDTH AT FLOOR. The maximum dimension measured laterally between the limiting interferences at the floor level. This dimension shall include ribs and pillars, but will exclude wheelhouses.
- H197 FRONT SEATBACK TO LOAD FLOOR HEIGHT. The dimension measured vertically from the horizontal tangent to the top of the seatback to the undepressed floor covering.
- H201 CARGO HEIGHT. The dimension measured vertically from the top of the undepressed floor covering to the headlining at the rear wheel "X" coordinate on the zero "Y" plane.
- H202 REAR OPENING HEIGHT. The dimension measured vertically from the top of the undepressed floor covering to the upper trimmed opening on the zero "Y" plane with rear door fully open.
- H250 TAILGATE TO GROUND CURB MASS (WT.). The dimension measured vertically from the top of the undepressed floor covering on the lowered tailgate to ground on the zero "Y" plane.
- H505 MAXIMUM CARGO HEIGHT. The maximum vertical dimension rear of the front seat from the cargo floor to roof bow or headlining at the zero "Y" plane.

MVMA Specifications

METRIC (U.S. Customary)

Interior Vehicle And Body Dimensions -- Key Sheet Dimensions Definitions

<p>V2 STATION WAGON Measured in inches: $\frac{W4 \times H201 \times L204}{1728} = \text{ft}^3$ Measured in mm: $\frac{W4 \times H201 \times L204}{10^9} = \text{m}^3 \text{ (cubic meter)}$</p> <p>V4 HIDDEN LUGGAGE CAPACITY -- REAR OF FRONT SEAT. The total volumes of individual pieces of one set of standard luggage stowed in any hidden cargo area below the load floor rear of the front seat.</p> <p>V5 TRUCKS AND MPV'S WITH OPEN AREA. Measured in inches: $\frac{L506 \times W505 \times H503}{1728} = \text{ft}^3$ Measured in mm: $\frac{L506 \times W500 \times H503}{10^9} = \text{m}^3 \text{ (cubic meter)}$</p> <p>V6 TRUCKS AND MPV'S WITH CLOSED AREA. Measured in inches: $\frac{L204 \times W500 \times H505}{1728} = \text{ft}^3$ Measured in mm: $\frac{L204 \times W500 \times H505}{10^9} = \text{m}^3 \text{ (cubic meter)}$</p> <p>V8 HIDDEN LUGGAGE CAPACITY -- REAR OF SECOND SEAT. The total volume of individual pieces of one set of standard luggage stowed in any hidden cargo area below the load floor rear of the second seat.</p> <p>V10 STATION WAGON CARGO VOLUME INDEX. Measured in inches: $\frac{H201 \times L205 \times \frac{W4 + W201}{2}}{1728} = \text{ft}^3$ Measured in mm: $\frac{H201 \times L205 \times \frac{W4 + W201}{2}}{10^9} = \text{m}^3 \text{ (cubic meter)}$</p>	<p>Hatchback -- Cargo Space Dimensions All hatchback cargo dimensions are to be taken with the front seat in full down and rear position, and the rear seat folded down. The hatchback door is in the closed position. (For electronically adjusted seats, see the manufacturer's specifications for Design "H" Point).</p> <p>L208 CARGO LENGTH AT FRONT SEATBACK HEIGHT. The minimum horizontal dimension from the "X" plane tangent to the rearmost surface of the driver's seatback to the inside limiting interference of the hatchback door on the vehicle zero "Y" plane.</p> <p>L209 CARGO LENGTH AT FLOOR -- FRONT. The minimum horizontal dimension measured at floor level from the rear of the front seatback to the normal limiting interference of the hatchback door on the vehicle zero "Y" plane.</p> <p>L210 CARGO LENGTH AT SECOND SEATBACK HEIGHT. The minimum dimension measured from the "X" plane tangent to the rearmost surface of second seatback or the load floor which is stowed at least one half of the H198 dimension height above the rear load floor, to the rearmost inside limiting interference on the zero "X" plane.</p> <p>L211 CARGO LENGTH AT FLOOR -- SECOND SEATBACK. The minimum horizontal dimension measured at floor level from the rear of the second seatback or load floor panel to the normal limiting interference of the hatchback door on the vehicle zero "Y" plane.</p> <p>H197 FRONT SEATBACK TO LOAD HEIGHT. The dimension measured vertically from the horizontal tangent to the top of the seatback to the undepressed floor covering.</p> <p>H198 SECOND SEATBACK TO LOAD FLOOR HEIGHT. The dimension measured vertically from the second seatback to the undepressed floor covering.</p> <p>V3 HATCHBACK. Measured in inches: $\frac{L208 + L209}{2} \times W4 \times H197 = \text{ft}^3$ Measured in mm: $\frac{L208 + L209}{2} \times W4 \times H197 = \text{m}^3 \text{ (cubic meter)}$</p> <p>V4 HIDDEN LUGGAGE CAPACITY -- REAR OF FRONT SEAT. The total volumes of individual pieces of one set of standard luggage stowed in any hidden cargo area below the load floor rear of the front seat.</p> <p>V11 HATCHBACK CARGO VOLUME INDEX. Usable luggage (one (1) stand and luggage set) below floor. Measured in inches: $\frac{L210 + L211}{2} \times W4 \times H198 = \text{ft}^3$ Measured in mm: $\frac{L210 + L211}{2} \times W4 \times H198 = \text{m}^3 \text{ (cubic meter)}$</p>
---	--

MVMA Specifications

METRIC (U.S. Customary)

Index

Subject	Page No.	Subject	Page No.
Alternator	16	Passenger Capacity	1
Axle Drive, Front, Rear, All Four	2, 9, 10	Passenger Mass Distribution	26
Axle Shafts	10	Pistons	3
Battery	16	Power Brakes	12
Body and Miscellaneous Information	17	Power, Engine	2
Brakes - Parking Service	12, 13	Power Steering	14
Camber	15	Power Teams	2
Camshaft	3	Propeller Shaft	10
Capacitors		Pumps - Fuel	6
Cooling System	5	Water	5
Fuel Tank	6	Radiator - Cap, Hoses, Core	5
Lubricants		Ratios - Axle, Transaxle	2, 9, 10
Engine Crankcase	4	Compression	2
Transmission / Transaxle	8, 9	Steering	14
Rear Axle	10	Transmission / Transaxle	2, 8, 9
Carburetor	2, 6	Rear Axle	2, 10
Caster	15	Regulator - Alternator	16
Climate Control System	19	Restraint System	18
Clutch - Pedal Operated	8	Rims	13
Coil, Ignition	16	Rods - Connecting	4
Connecting Rods	4	Scrub Radius	14
Convenience Equipment	20-21	Seats	17
Cooling System	5	Shock Absorbers, Front & Rear	11
Crankshaft	4	Spark Plugs	16
Cylinders and Cylinder Head	3	Speedometer	15
Diesel Information	4	Springs - Front & Rear Suspension	11
Dimension Definitions		Stabilizer (Sway Bar) - Front & Rear	11
Key Sheet - Exterior	28, 31, 32	Starting System	16
Key Sheet - Interior	29, 30, 32, 33, 34	Steering	14
Electrical System	15, 16	Suppression - Ignition, Radio	16
Emission Controls	7	Suspension - Front & Rear	11
Engine - General		Tail Pipe	7
Bore, Stroke, Type	3	Theft Protection	21
Compression Ratio	2	Thermostat, Cooling	5
Displacement	2, 3	Tires	13
Firing Order, Cylinder Numbering	3	Toe-In	15
General Information, Power & Torque	2	Torque Converter	9
Intake System	4	Torque - Engine	2, 8, 9
Power Teams	2	Trailer Towing	21
Exhaust System	7	Transaxle	9
Equipment Availability, Convenience	20	Transmission - Types	2, 8, 9
Fan, Cooling	5	Transmission - Automatic	2, 9
Filters - Engine Oil, Fuel System	4	Transmission - Manual	2, 8
Four Wheel Drive	10	Transmission - Ratios	2, 8, 9
Frame	17	Tread	22
Front Suspension	11	Trunk Cargo Load	1
Front Wheel Drive Unit	10	Trunk Luggage Capacity	23
Fuel Economy, EPA	1	Turning Diameter	14
Fuel Injection	6	Unitized Construction	18
Fuel System	6	Universal Joints, Propeller Shaft	10
Fuel Tank	6	Valve System	4
Glass	18	Vehicle Dimensions	
Headlamps	18	Width	22
Headroom - Body	23, 24	Length	22
Heights	22	Height	22
Horns	15	Ground Clearance	22
Horsepower - Brake	2	Front Compartment	23
Ignition System	16	Rear Compartment	23
Inflation - Tires	13	Luggage Compartment	23
Interior Volumes	23	Station Wagon - Third Seal	24
Instruments	15	Station Wagon - Cargo Space	24
Legroom	23, 24	Hatchback - Cargo Space	24
Lengths	22	Fiducial Marks	25
Leveling, Suspension	11	Voltage Regulator	16
Lifters, Valve	4	Water Pump	5
Linings - Clutch, Brake	8, 12	Weights	26, 27
Lubrication - Engine Transmission / Transaxle	4, 8, 9	Wheel Alignment	15
Luggage Compartment	23	Wheelbase	22
Models	1	Wheels & Tires	13
Motor Starting	16	Wheel Spindle	14
Muffler	7	Widths	22
Origin	1	Windshield	18
		Windshield Wiper and Washer	15