



# MANUFACTURERS MOTOR VEHICLE SPECIFICATIONS

METRIC (U.S. Customary)

# 1995

Manufacturer SUZUKI MOTOR CORPORATION	Vehicle Line Geo TRACKER	
Mailing Address GENERAL MOTORS CORPORATON CHEVROLET CENTRAL OFFICE 30007 VAN DYKE WARREN, MI 48090-9065	Issued SEPTEMBER, 1994	Revised

Direct questions concerning these specifications to the manufacturer listed above.

The information contained herein is prepared, distributed by, and is solely the responsibility of the vehicle manufacturing company to whose products it relates. This specification form was developed by the vehicle manufacturing companies under the auspices of the American Automobile Manufacturers Association.

The General Specifications herein are those in effect at date of compilation and are subject to change without notice or incurring obligation by the manufacturer.

## AAMA

American Automobile Manufacturers Association

Blank Forms Provided by Technical Affairs Division

1  
1  
2

# MVMA Specifications

METRIC (U.S. Customary)

## Table of Contents

---

	1	Vehicle Models/Origin	∅ Indicates Format Change From Previous Year
	2	Power Teams	
	3	Engine	
	4	Lubrication System	
	4	Diesel Information	
	5	Cooling System	
	6	Fuel System	
	7	Vehicle Emission Control	
∅	7	Exhaust System	
∅	8-10	Transmission, Axles and Shafts	
	11	Suspension	
	12-13	Brakes, Tires and Wheels	
	14	Steering	
	15-16	Electrical	
∅	17	Body - Miscellaneous Information	
	17	Frame	
	18	Restraint System	
	18	Glass	
	18	Headlamps	
	19	Climate Control System	
	20-21	Convenience Equipment	
	21	Trailer Towing	
	22-24	Vehicle Dimensions	
	25	Vehicle Fiducial Marks	
	26	Vehicle Mass (weight)	
	27	Optional Equipment Differential Mass (Weight)	
	28-34	Vehicle Dimensions Definitions - Key Sheets	
	35	Index	

---

### NOTE:

1. This form uses both SI metric units and U.S. Customary units. The metric unit of measure is presented first, and the U.S. Customary unit follows in parentheses.
2. UNLESS OTHERWISE INDICATED:
  - a. Specifications apply to standard models without optional equipment. Significant deviations are noted.
  - b. Nominal design dimensions are used throughout these specifications.
  - c. All linear dimensions are in millimeters (inches), and all mass (weight) specifications are in kilograms (pounds).
3. The General Specifications herein are those in effect at date of compilation and are subject to change without notice or incurring obligation by the manufacturer.
4. Additional Vehicle Dimensions (based in part on SAE J1100 "Motor Vehicle Dimensions") may be available from the manufacturer.



2  
3



# MVMA Specifications

Vehicle Line Geo TRACKER  
 Model Year 1995 Issued 8/94 Revised (\*) \_\_\_\_\_

METRIC (U.S. Customary)

## Vehicle Origin

Design & development (company)	SUZUKI MOTOR CORPORATION (Japan)
Where built (country)	Canada
Authorized U.S. sales marketing representative	Chevrolet/Geo

## Vehicle Models

Model Description & Drive (FWD / RWD / AWD / 4WD)*	Introduction Date	Make, Vehicle Models, Series, Body Type (Mfg's Model Code)	No. of Designated Seating Positions (Front / Rear)	Max. Trunk/Cargo Load-Kilograms (Pounds)	EPA Fuel Economy (City/Hwy)
Geo TRACKER Hardtop (FWD) - MT: 2 Valve (MT: 4 Valve) - AT: 2 Valve (AT: 4 Valve)	8/94	J10316	2/2	58 (128)	25/27 (24/26) 23/24 (22/24)
Geo TRACKER Convertible (4WD) - MT: 2 Valve (MT: 4 Valve) - AT: 2 Valve (AT: 4 Valve)	8/94	J10367	2/2	45 (99)	25/27 (24/26) 23/24 (22/24)
Geo TRACKER Convertible (2WD) - MT: 2 Valve (MT: 4 Valve) - AT: 2 Valve (AT: 4 Valve)	8/94	E10367	2/2	147 (324)	25/27 (24/26) 23/24 (22/24)

\* FWD - Front Wheel Drive RWD - Rear Wheel Drive AWD - All Wheel Drive 4WD - Four Wheel Drive



1  
2



# MVMA Specifications

Vehicle Line Geo TRACKER  
 Model Year 1995 Issued 9/94 Revised (\*) \_\_\_\_\_

## METRIC (U.S. Customary)

### Power Teams

SAE J1349 Net bhp (brake horsepower) and Net Torque corrected to 77°F/25°C and 29.61 in. Hg/100 kPa atmospheric pressure.

		A	B	C	D	
<b>E N G I N E</b>	Engine Code	LS5 (2 Valve)	LS5 (2 Valve)	L01 (4 Valve)	L01 (4 Valve)	
	Displacement Liters (in <sup>3</sup> )	1.6 (97)	1.6 (97)	1.6 (97)	1.6 (97)	
	Induction system (FI, Carb, etc.)	TBI	TBI	SFI	SFI	
	Compression ratio	8.8:1	8.8:1	9.5:1	9.5:1	
	SAE Net at RPM	Power kW (bhp)	59 (80) @ 5400	59 (80) @ 5400	69 (95) @ 5600	69 (95) @ 5600
		Torque N • m (lb. ft.)	127 (94) @ 3000	127 (94) @ 3000	133 (98) @ 4000	133 (98) @ 4000
	Exhaust single, dual	Single	Single	Single	Single	
<b>T R A N S</b>	Transmission/ Transaxle	Manual 5 Speed	Automatic 3 Speed	Manual 5 Speed	Automatic 3 Speed	
	Effective Final Drive / Axle Ratio (std. first)	5.125	4.625	5.125	4.300	

Series Availability		Power Teams (A - B - C - D)	
Model	Code	Standard	Optional
TRACKER Hardtop 4WD (M/T)	J10316	C	
TRACKER Hardtop 4WD (A/T)	J10316	D	
TRACKER Convertible 4WD (M/T)	J10367	C	
TRACKER Convertible 4WD (A/T)	J10367	D	
TRACKER Convertible 2WD (M/T)	E10367	A	
TRACKER Convertible 2WD (A/T)	E10367	B	





# MVMA Specifications

Vehicle Line Geo TRACKER  
 Model Year 1995 Issued 9/94 Revised (●) \_\_\_\_\_

## METRIC (U.S. Customary)

Engine Description  
 Engine Code

1.6 LITER L4 (97 CID)  
 ELECTRONIC FUEL INJECTION RPO LS5 (2 VALVE)

### Engine - General

Type & description (inline, V, angle, flat, location, front, mid, rear, transverse, longitudinal, sohc, dohc, ohv, hemi, wedge, pre-chamber, etc.)	Inline, Front, Longitudinal, SOHC	
Manufacturer	SUZUKI MOTOR CORPORATON	
No. of cylinders	4	
Bore	75 mm (2.95 in.)	
Stroke	90 mm (3.54 in.)	
Bore Spacing (C/L to C/L)	84 mm (3.31 in.)	
Cylinder block material & mass kg. (lbs.) (machined)	Aluminum Alloy 17.5 (38.6)	
Cylinder block deck height	32.2 (1.96)	
Cylinder block length	372 mm (14.6 in.)	
Deck clearance (minimum) (above or below block)	0.9 mm (0.04 in.) Below	
Cylinder head material & mass kg. (lbs.)	Aluminum Alloy 6.9 (15.2)	
Cylinder head volume cm <sup>3</sup> (inches <sup>3</sup> )	32.2 (1.96)	
Cylinder liner material	Cast Iron	
Head gasket thickness (compressed)	1.2 mm (0.05 in.)	
Minimum combustion chamber total volume cm <sup>3</sup> (inches <sup>3</sup> )	50.2 cm <sup>3</sup>	
Cyl. no. system (front to rear)*	L. Bank	1-2-3-4
	R. Bank	—
Firing order	1-3-4-2	
Intake manifold material & mass kg. (lbs.)**	Aluminum Alloy, 2.6 (5.7)	
Exhaust manifold material & mass kg. (lbs.)**	Cast Iron, 4.3 (9.5)	
Knock sensor (number & location)	N.A.	
Fuel required unleaded, diesel, etc.	Unleaded	
Fuel antiknock Index (R + M) + 2	87 or more	
Engine Mounts	Quantity	3
	Material and type (elastomeric, hydroelastic, hydraulic damper, etc.)	Rubber - Elastomeric
	Added isolation (sub-frame, crossmember, etc.)	Crossmember
Total dressed engine mass (wt) dry***	MT: 89 kg (196 lbs.) AT: 78.8 kg. (173 lbs.)	

### Engine - Pistons

Material & mass, g (weight, oz.) - piston only	Aluminum Alloy, 227g (8.0 oz.)
--	--------------------------------

### Engine - Camshaft

Location	In Cylinder Head	
Material & mass kg (weight, lbs.)	Cast Iron, 2.145 (4.7)	
Drive type	Chain / belt	Belt
	Width / pitch	19.1 / 9.525 (0.75 / 0.38)

- \* Rear of engine - drive takeoff. View from drive takeoff end to determine left & right side of engine.
- \*\* Finished state.
- \*\*\* Dressed engine mass (weight) includes the following: All those items necessary to make the engine a complete ready-to-run unit.



1  
2



# MVMA Specifications

Vehicle Line Geo TRACKER  
 Model Year 1995 Issued 8/94 Revised (\*) \_\_\_\_\_

## METRIC (U.S. Customary)

Engine Description  
 Engine Code

1.6 LITER L4 (97 CID)  
 ELECTRONIC FUEL INJECTION RPO L01 (4 VALVE)

### Engine - General

Type & description (inline, V, angle, flat, location, front, mid, rear, transverse, longitudinal, sohc, dohc, ohv, hemi, wedge, pre-chamber, etc.)	Inline, Front, Longitudinal, SOHC	
Manufacturer	SUZUKI MOTOR CORPORATON	
No. of cylinders	4	
Bore	75 mm (2.95 in.)	
Stroke	90 mm (3.54 in.)	
Bore Spacing (C/L to C/L)	84 mm (3.31 in.)	
Cylinder block material & mass kg. (lbs.) (machined)	Aluminum Alloy 17.5 (38.6)	
Cylinder block deck height	32.2 (1.96)	
Cylinder block length	372 mm (14.6 in.)	
Deck clearance (minimum) (above or below block)	0.9 mm (0.04 in.) Below	
Cylinder head material & mass kg. (lbs.)	Aluminum Alloy 7.8 (17.2)	
Cylinder head volume cm <sup>3</sup> (inches <sup>3</sup> )	25.5 (1.55)	
Cylinder liner material	Cast Iron	
Head gasket thickness (compressed)	1.2 mm (0.05 in.)	
Minimum combustion chamber total volume cm <sup>3</sup> (inches <sup>3</sup> )	46.8 cm <sup>3</sup>	
Cyl. no. system (front to rear)*	L. Bank	1-2-3-4
	R. Bank	—
Firing order	1-3-4-2	
Intake manifold material & mass kg. (lbs.)**	Aluminum Alloy, 3.5 (7.7)	
Exhaust manifold material & mass kg. (lbs.)**	Cast Iron, 8.3 (18.3)	
Knock sensor (number & location)	N.A.	
Fuel required unleaded, diesel, etc.	Unleaded	
Fuel antiknock index (R + M) + 2	87 or more	
Engine Mounts	Quantity	3
	Material and type (elastomeric, hydroelastic, hydraulic damper, etc.)	Rubber - Elastomeric
	Added isolation (sub-frame, crossmember, etc.)	Crossmember
Total dressed engine mass (wt) dry***	MT: 104 kg (229 lbs.) AT: 78.8 kg. (173 lbs.)	

### Engine - Pistons

Material & mass, g (weight, oz.) - piston only	Aluminum Alloy, 207g (7.3 oz.)
--	--------------------------------

### Engine - Camshaft

Location	In Cylinder Head	
Material & mass kg (weight, lbs.)	Cast Iron, 1.950 (4.4)	
Drive type	Chain / belt	Belt
	Width / pitch	25.4 / 9.525 (1.00 / 0.38)

- \* Rear of engine - drive takeoff. View from drive takeoff end to determine left & right side of engine.
- \*\* Finished state.
- \*\*\* Dressed engine mass (weight) includes the following: All those items necessary to make the engine a complete ready-to-run unit.



# MVMA Specifications

Vehicle Line Geo TRACKER  
 Model Year 1995 Issued 9/94 Revised (\*) \_\_\_\_\_

## METRIC (U.S. Customary)

Engine Description  
 Engine Code

1.6 LITER L4 (97 CID)  
 ELECTRONIC FUEL INJECTION RPO L55 (2 VALVE)

### Engine - Valve System

Hydraulic lifters (std., opt., n.a.)	N.A.
Valves	Number intake / exhaust
	Head O.D. intake / exhaust

4/4  
 36.6 / 32.5 mm (1.44 / 1.28 in.)

### Engine - Connecting Rods

Material & mass kg., (weight, lbs.)*	Forged Steel 0.404 (0.891)
Length (axes C/L to C/L)	139.6 mm (5.50 in.)

### Engine - Crankshaft

Material & mass kg., (weight, lbs.)*	Nodular Cast Iron, 12.1 (26.7)
End thrust taken by bearing (no.)	2
Length & number of main bearings	18 mm (0.71 in.) x 5
Seal (material, one, two piece design, etc.)	Front
	Rear

Rubber, 1 Piece  
 Rubber, 1 Piece

### Engine - Lubrication System

Normal oil pressure kPa (psi) at engine rpm	392 (56.8) @ 4000
Type oil intake (floating, stationary)	Stationary
Oil filter system (full flow, part, other)	Full Flow
Capacity of c/case, less filter-refill-L (qt.)	4.0 (4.2)

### Engine - Diesel Information

(NOT APPLICABLE)

Diesel engine manufacturer	
Glow plug, current drain at 0°F.	
Injector nozzle	Type
	Opening pressure kPa (psi)
Pre-chamber design	
Fuel injection pump	Manufacturer
	Type
Fuel injection pump drive (belt, chain, gear)	
Supplementary vacuum source (type)	
Fuel heater (yes/no)	
Water separator, description (std., opt.)	
Turbo manufacturer	
Oil cooler-type (oil to engine coolant; oil to ambient air)	
Oil filter	

### Engine - Intake System

Turbo charger - manufacturer	
Super charger - manufacturer	
Intercooler	

\* Finished State



-

.



# MVMA Specifications

Vehicle Line Geo TRACKER  
 Model Year 1995 Issued 8/94 Revised (e) \_\_\_\_\_

## METRIC (U.S. Customary)

Engine Description  
 Engine Code

1.6 LITER L4 (97 CID)  
 ELECTRONIC FUEL INJECTION RPO L01 (4 VALVE)

### Engine - Valve System

Hydraulic lifters (std., opt., n.a.)		N.A.
Valves	Number Intake / exhaust	4/4
	Head O.D. Intake / exhaust	29.2 / 25.0 mm (1.15 / 0.98 in.)

### Engine - Connecting Rods

Material & mass kg., (weight, lbs.)*	Forged Steel 0.404 (0.891)
Length (axes C/L to C/L)	139.6 mm (5.50 in.)

### Engine - Crankshaft

Material & mass kg., (weight, lbs.)*	Nodular Cast Iron, 12.1 (26.7)	
End thrust taken by bearing (no.)	2	
Length & number of main bearings	18 mm (0.71 in.) x 5	
Seal (material, one, two piece design, etc.)	Front	Rubber, 1 Piece
	Rear	Rubber, 1 Piece

### Engine - Lubrication System

Normal oil pressure kPa (psi) at engine rpm	392 (56.8) @ 4000
Type oil intake (floating, stationary)	Stationary
Oil filter system (full flow, part, other)	Full Flow
Capacity of c/case, less filter-refill-L (qt.)	4.0 (4.2)

### Engine - Diesel Information

(NOT APPLICABLE)

Diesel engine manufacturer		
Glow plug, current drain at 0°F.		
Injector nozzle	Type	
	Opening pressure kPa (psi)	
Pre-chamber design		
Fuel Injection pump	Manufacturer	
	Type	
Fuel injection pump drive (belt, chain, gear)		
Supplementary vacuum source (type)		
Fuel heater (yes/no)		
Water separator, description (std., opt.)		
Turbo manufacturer		
Oil cooler-type (oil to engine coolant; oil to ambient air)		
Oil filter		

### Engine - Intake System

Turbo charger - manufacturer	
Super charger - manufacturer	
Intercooler	

\* Finished State





# MVMA Specifications

Vehicle Line Geo TRACKER  
 Model Year 1995 Issued 9/94 Revised (#) \_\_\_\_\_

## METRIC (U.S. Customary)

Engine Description  
 Engine Code

1.6 LITER L4 (97 CID)  
 ELECTRONIC FUEL INJECTION RPO LS5 (2 VALVE)

### Engine - Cooling System

Coolant recovery system (std., opt., n.a.)		Standard
Coolant fill location (rad., bottle)		Bottle
Radiator cap relief valve pressure kPa (psi)		89.3 (12.8)
Circulation thermostat	Type (choke, bypass)	Bypass
	Starts to open at °C (°F)	82 (180)
Water pump	Type (centrifugal, other)	Centrifugal
	GMP 1000 pump rpm	4.0 gallon/min
	Number of pumps	1
	Drive (V-belt, other)	V ribbed belt
	Bearing type	Ball & roller
	Impeller material	Steel
	Housing material	Aluminum Alloy
By-pass recirculation type (inter., ext.)		Ext.
Cooling System capacity	With heater - L (qt.)	MT: 5.3 AT: 5.2
	With air conditioner - L (qt.)	MT: 5.3 AT: 5.2
	Opt. equipment specify - L (qt.)	N/A
Water jackets full length of cyl. (yes, no)		Yes
Water all around cylinder (yes, no)		Yes
Water jackets open at head face (yes, no)		Yes
Radiator core	Std., A/C, HD	Standard
	Type (cross-flow, etc.)	Vertical Flow
	Construction (fin & tube mechanical, brnze, etc.)	Fin & Tube
	Material, mass kg (wgt., lbs.)	Cooper & Brass, MT: 3.38 (8.4) AT: 4.2 (9.2)
	Width	488 mm (19.2 in.)
	Height	373 mm (14.7 in.)
	Thickness	27 mm (1.06 in.)
Radiator end tank material		Plastics
Fan	Std., elec., opt.	Standard
	Number of blades & type (flex, solid, material)	5, Flexible, Plastics
	Number & location (front, rear of radiator)	1, Rear of Radiator
	Diameter & projected width	340 mm (13.39 in.) & 50 mm (1.97 in.)
	Ratio (fan to crankshaft rev.)	117: 130
	Fan cutout type	Bimetal & Fluid Coupling
	Drive type (direct, remote)	Clutch fan, Remote
	RPM at idle (elec.)	N/A
	Motor rating (wattage/elec.)	N/A
	Motor switch (type & location/elec.)	N/A
	Switch point (temp./pressure/elec.)	N/A
	Fan shroud (material)	Plastics



# MVMA Specifications

Vehicle Line Geo TRACKER  
 Model Year 1995 Issued 9/94 Revised (●) \_\_\_\_\_

## METRIC (U.S. Customary)

Engine Description  
 Engine Code

1.6 LITER L4 (97 CID)  
 ELECTRONIC FUEL INJECTION RPO L01 (4 VALVE)

### Engine - Cooling System

Coolant recovery system (std., opt., n.s.)		Standard	
Coolant fill location (rad., bottle)		Bottle	
Radiator cap relief valve pressure kPa (psi)		88.3 (12.8)	
Circulation thermostat	Type (choke, bypass)	Bypass	
	Starts to open at °C (°F)	82 (180)	
Water pump	Type (centrifugal, other)	Centrifugal	
	GMP 1000 pump rpm	4.0 gallon/min	
	Number of pumps	1	
	Drive (V-belt, other)	V ribbed belt	
	Bearing type	Ball & roller	
	Impeller material	Steel	
	Housing material	Aluminum Alloy	
By-pass recirculation type (inter., ext.)		Ext.	
Cooling System capacity	With heater - L (qt.)	MT: 5.3	AT: 5.2
	With air conditioner - L (qt.)	MT: 5.3	AT: 5.2
	Opt. equipment specify - L (qt.)	N/A	
Water jackets full length of cyl. (yes, no)		Yes	
Water all around cylinder (yes, no)		Yes	
Water jackets open at head face (yes, no)		Yes	
Radiator core	Std., A/C, HD	Standard	
	Type (cross-flow, etc.)	Vertical Flow	
	Construction (fin & tube mechanical, braze, etc.)	Fin & Tube	
	Material, mass kg (wt., lbs.)	Cooper & Brass, MT: 3.38 (8.4)	AT: 4.2 (9.2)
	Width	488 mm (19.2 in.)	
	Height	373 mm (14.7 in.)	
	Thickness	27 mm (1.06 in.)	
	Fins per inch	14.5	
Radiator end tank material		Plastics	
Fan	Std., elec., opt.	Standard	
	Number of blades & type (flex, solid, material)	5, Flexible, Plastics	
	Number & location (front, rear of radiator)	1, Rear of Radiator	
	Diameter & projected width	340 mm (13.39 in.) & 50 mm (1.97 in.)	
	Ratio (fan to crankshaft rev.)	117:130	
	Fan cutout type	Bimetal & Fluid Coupling	
	Drive type (direct, remote)	Clutch fan, Remote	
	RPM at idle (elec.)	N/A	
	Motor rating (wattage/elec.)	N/A	
	Motor switch (type & location/elec.)	N/A	
	Switch point (temp./pressure/elec.)	N/A	
	Fan shroud (material)	Plastics	



# MVMA Specifications

Vehicle Line Geo TRACKER  
 Model Year 1995 Issued 8/94 Revised (#) \_\_\_\_\_

## METRIC (U.S. Customary)

Engine Description  
 Engine Code

1.6 LITER L4 (97 CID)  
 ELECTRONIC FUEL INJECTION RPO LS5 (2 VALVE)

Engine - Fuel System (See Supplemental page for details of Fuel Injection, Supercharger, Turbocharger, etc. if used.)

Induction type: carburetor, fuel injection system, etc.		Fuel Injection
Manufacturer		Mitsubishi-Mikuni
Carburetor no. of barrels		N/A
Idle A/F mix.		Preset at Manufacture
Fuel injection	Point of injection (no.)	Throttle Body (1)
	Constant, pulse, flow	Pulse
	Control (electronic, mech.)	Electronic
	System pressure kPa (psi)	250 (36)
Idle speed-rpm (spec. neutral or drive and propane if used)	Manual	800 (Neutral)
	Automatic	800 (Neutral or Park)
Intake manifold heat control (exhaust or water thermostatic or fixed)		Water Thermostatic
Air cleaner type		Replaceable Non-Woven Fabric Element, Single Snorkel
Fuel filter (type/location)		Paper element, Under Floor - Rear
Fuel pump	Type (elec. or mech.)	Electric
	Location (eng., tank)	Fuel Tank
	Pressure range kPa (psi) *	588 (85)
	Flow rate at regulated pressure L (gal)/hr @ kPa (psi)	80 @ 250 (21.1 @ 36)

### Fuel Tank

Capacity refill L (gallons)		42 (11.1)
Location (describe)		Under Floor - Rear
Attachment		Bolts
Material & Mass kg. (weight lbs.)		Steel, 8.4 (18.5)
Filler pipe	Location & material	Right Side Rear Quarter Panel, Steel
	Connection to tank	Kevlar Reinforced Rubber Hose
Fuel line (material)		Steel
Fuel hose (material)		Rubber
Return line (material)		Steel
Vapor line (material)		Steel & Rubber
Extended range tank	Opt., n.s.	Not Applicable
	Capacity L (gallons)	"
	Location & material	"
	Attachment	"
Auxiliary tank	Opt., n.s.	"
	Capacity L (gallons)	"
	Location & material	"
	Attachment	"
	Selector switch or valve	"
Separate fill		"

\* Note: Maximum Fuel Pump Pressure with Closed Valve is Stated



# MVMA Specifications

Vehicle Line Geo TRACKER  
 Model Year 1995 Issued 9/94 Revised (#) \_\_\_\_\_

## METRIC (U.S. Customary)

Engine Description  
 Engine Code

1.6 LITER L4 (97 CID)  
 ELECTRONIC FUEL INJECTION RPO L01 (4 VALVE)

Engine - Fuel System (See Supplemental page for details of Fuel Injection, Supercharger, Turbocharger, etc. if used.)

Induction type: carburetor, fuel injection system, etc.		Fuel Injection
Manufacturer		Mitsubishi-Mikuni
Carburetor no. of barrels		N/A
Idle A/F mix.		Preset at Manufacture
Fuel Injection	Point of injection (no.)	Intake Manifold (4)
	Constant, pulse, flow	Pulse
	Control (electronic, mech.)	Electronic
	System pressure kPa (psi)	284 (41)
Idle speed-rpm (spec. neutral or drive and propane if used)	Manual	800 (Neutral)
	Automatic	800 (Neutral or Park)
Intake manifold heat control (exhaust or water thermostatic or fixed)		Water Thermostatic
Air cleaner type		Replaceable Non-Woven Fabric Element, Single Snorkel
Fuel filter (type/location)		Paper element, Under Floor - Rear
Fuel pump	Type (elec. or mech.)	Electric
	Location (eng., tank)	Fuel Tank
	Pressure range kPa (psi) *	588 (85)
	Flow rate at regulated pressure L (gal)/hr @ kPa (psi)	80 @ 250 (21.1 @ 36)

### Fuel Tank

Capacity refill L (gallons)		42 (11.1)
Location (describe)		Under Floor - Rear
Attachment		Bolts
Material & Mass kg. (weight lbs.)		Steel, 8.4 (18.5)
Filler pipe	Location & material	Right Side Rear Quarter Panel, Steel
	Connection to tank	Kevlar Reinforced Rubber Hose
Fuel line (material)		Steel
Fuel hose (material)		Rubber
Return line (material)		Steel
Vapor line (material)		Steel & Rubber
Extended range tank	Opt., n.a.	Not Applicable
	Capacity L (gallons)	"
	Location & material	"
	Attachment	"
Auxiliary tank	Opt., n.a.	"
	Capacity L (gallons)	"
	Location & material	"
	Attachment	"
	Selector switch or valve	"
Separate fill		"

\* Note: Maximum Fuel Pump Pressure with Closed Valve is Stated





# MVMA Specifications

Vehicle Line Geo TRACKER  
 Model Year 1995 Issued 9/94 Revised (●) \_\_\_\_\_

## METRIC (U.S. Customary)

Engine Description  
 Engine Code

1.6 LITER L4 (97 CID)  
 ELECTRONIC FUEL INJECTION RPO L55 (2 VALVE)

### Vehicle Emission Control

Type (air injection, engine modifications, other)		TBI/TWC/HO2S/EGR		
Exhaust Emission Control	Air Injection	Pump or pulse	Not Applicable	
		Driven by	"	
		Air distribution (head, manifold, etc.)	"	
		Point of entry	"	
	Exhaust Gas Recirculation	Type (controlled flow, open orifice, other)	Backpressure Controlled	
		Exhaust source	Intake Manifold	
		Point of exhaust injection (spacer, carburetor, manifold, other)	Manifold	
	Catalytic Converter	Type	Three Way Cat.	
		Number of	2	
		Locations(s)	Under Floor	
Volume L (in <sup>3</sup> )		1st - 0.65L, 2nd - 0.65 L		
Substrate type		Monolith		
Noble metal type		Platinum & Rhodium		
Noble metal concentration (g/cm <sup>2</sup> )	Confidential			
Crankcase Emission Control	Type (ventilates to atmosphere, induction system, other)		Induction System (Positive Crankcase Ventilation System)	
	Energy source (manifold vacuum, carburetor, other)		Manifold Vacuum	
	Discharges to (intake manifold, other)		Intake Manifold	
	Air Inlet (breather cap, other)		Air Intake Case	
Evaporative Emission Control	Vapor vented to (crankcase, canister, other)	Fuel Tank	Canister	
		Carburetor	Not Applicable	
	Vapor storage provision		Canister	
Electronic system	Closed loop (yes/no)		Yes	
	Open loop (yes/no)		Yes	

### Engine - Exhaust System

Type (single, single with cross-over, dual, other)	Single	
Muffler no. & type (reverse flow, straight thru, separate resonator), Muffler volume (liters), Material & Mass kg. (weight lbs.)	Muffler 1, Reverse Flow	
Resonator no., type, & volume (liters)	None	
Exhaust pipe	Branch o.d., wall thickness	Inner: $\phi$ 35 - 1.2, Outer: $\phi$ 48.6 - 1.2
	Main o.d., wall thickness	$\phi$ 42.7 - 2.0 mm
	Material & Mass kg. (weight lbs.)	Inner: Stainless Steel, Outer: Aluminum Coated Steel
Intermediate pipe	o.d. & wall thickness	$\phi$ 42.7 - 1.2 mm
	Material & Mass kg. (weight lbs.)	Stainless Steel
Tail pipe	o.d. & wall thickness	$\phi$ 38.1 - 1.2 mm / $\phi$ 48.6 - 1.2 mm
	Material & Mass kg. (weight lbs.)	Stainless Steel



# MVMA Specifications

Vehicle Line Geo TRACKER  
 Model Year 1995 Issued 9/94 Revised (\*) \_\_\_\_\_

## METRIC (U.S. Customary)

Engine Description  
 Engine Code

1.6 LITER L4 (97 CID)  
 ELECTRONIC FUEL INJECTION RPO L01 (4 VALVE)

### Vehicle Emission Control

Type (air injection, engine modifications, other)		SF/TWC/HO2S/EGR		
Exhaust Emission Control	Air Injection	Pump or pulse	Not Applicable	
		Driven by	-	
		Air distribution (head, manifold, etc.)	-	
		Point of entry	-	
	Exhaust Gas	Type (controlled flow, open orifice, other)	Backpressure Controlled	
		Exhaust source	Intake Manifold	
		Recirculation	Point of exhaust injection (spacer, carburetor, manifold, other)	Manifold
	Catalytic Converter	Type	Three Way Cat.	
		Number of	2	
		Locations(s)	Under Floor	
Volume L (in <sup>3</sup> )		1st - 0.90L, 2nd - 0.90 L		
Substrate type		Monolith		
Noble metal type		Platinum & Rhodium		
Noble metal concentration (g/cm <sup>2</sup> )	Confidential			
Crankcase Emission Control	Type (ventilates to atmosphere, induction system, other)		Induction System (Positive Crankcase Ventilation System)	
	Energy source (manifold vacuum, carburetor, other)		Manifold Vacuum	
	Discharges to (intake manifold, other)		Intake Manifold	
	Air Inlet (breather cap, other)		Air Intake Case	
Evaporative Emission Control	Vapor vented to (crankcase, canister, other)	Fuel Tank	Canister	
		Carburetor	Not Applicable	
	Vapor storage provision		Canister	
Electronic system	Closed loop (yes/no)		Yes	
	Open loop (yes/no)		Yes	

### Engine - Exhaust System

Type (single, single with cross-over, dual, other)		Single
Ø	Muffler no. & type (reverse flow, straight thru, separate resonator), Muffler volume (liters), Material & Mass kg. (weight lbs.)	Muffler 1, Reverse Flow
Ø	Resonator no., type, & volume (liters)	None
Exhaust pipe	Branch o.d., wall thickness	Ø 54.0 - 1.5
	Main o.d., wall thickness	Ø 48.6 - 1.5
	Material & Mass kg. (weight lbs.)	Stainless Steel
Intermediate pipe	o.d. & wall thickness	Ø 42.7 - 1.2 mm
	Material & Mass kg. (weight lbs.)	Stainless Steel
Tail pipe	o.d. & wall thickness	Ø 38.1 - 1.2 mm Ø 48.6 - 1.2 mm
	Material & Mass kg. (weight lbs.)	Stainless Steel



# MVMA Specifications

Vehicle Line Geo TRACKER  
 Model Year 1995 Issued 9/94 Revised (#) \_\_\_\_\_

## METRIC (U.S. Customary)

Engine Description  
 Engine Code

1.6 LITER L4 (97 CID)  
 ELECTRONIC FUEL INJECTION RPO L55 (2 VALVE)

### Transmissions/Transaxle (Std., Opt., N.A.)

Manual 4-speed (manufacturer/country)	Not Applicable
Manual 5-speed (manufacturer/country)	SUZUKI MOTOR CORPORATON / JAPAN
Manual 6-speed (manufacturer/country)	Not Applicable
Automatic (manufacturer/country)	GM POWERTRAIN STRASBOURG
Automatic overdrive (manufacturer/country)	Not Applicable

### Manual Transmission/Transaxle

Number of forward speeds		5
Gear ratios	1st	3.652
	2nd	1.947
	3rd	1.379
	4th	1.000
	5th	0.795
	6th	Not Applicable
	Reverse	3.670
Synchronous meshing (specify gears)		All Forward Gears
Shift lever location		Floor Mounted
Trans. case material & mass kg. (lbs.)*		Aluminum die-cast, 31.6 (69.7)
Lubricant	Capacity L (pt.)	2WD: 1.9L (4.0) 4WD: 1.5L (3.2)
	Type recommended	Gear Oil GL-4
SAE Viscosity Number		75 W/85 - All Season, 75W/90 Available

### Clutch (Manual Transmission)

Clutch manufacturer		DAIKIN CLUTCH CORPORATION
Clutch type (dry, wet; single, multiple disc)		Dry, Single Disc
Linkage (hydraulic, cable, rod, lever, other)		Cable
Max. pedal effort (nom. spring load) N (lbs.)	Depressed	120
	Released	75
Assist (spring, power/percent, nominal)		Spring
Type pressure plate springs		Diaphragm Spring
Total spring load (nominal) N (lbs.)		3920 N
Clutch facing	Facing mfr. & material coding	HITACHI CHEMICAL Co., Ltd., HN603
	Facing material & construction	Non-Asbestos, Semi-Mold
	Rivets per facing	16
	Outside x inside dia. (nominal)	200 x 140
	Total eff. area cm <sup>2</sup> (in. <sup>2</sup> )	160
	Thickness (pressure plate side/wheel side)	3.5 mm / 3.5 mm (0.14 in. / 0.14 in.)
	Rivet depth (pressure plate side/wheel side)	Min. 1.3 mm / Min. 1.3 mm (0.05 in. / 0.05 in.)
Engagement cushion method		Separate Cushion Type
Release bearing type & method lub.		Automatic Center Adjusting Type with Grease Lubrication
Torsional damping method, springs, hysteresis		Spring Type

\* Includes shift linkage, lubricant, and clutch housing. If other specify.



# MVMA Specifications

Vehicle Line Geo TRACKER  
 Model Year 1995 Issued 9/94 Revised (●) \_\_\_\_\_

## METRIC (U.S. Customary)

Engine Description  
 Engine Code

1.6 LITER L4 (97 CID)  
 ELECTRONIC FUEL INJECTION RPO L01 (4 VALVE)

### Transmissions/Transaxle (Std., Opt., N.A.)

Manual 4-speed (manufacturer/country)	Not Applicable
Manual 5-speed (manufacturer/country)	SUZUKI MOTOR CORPORATON / JAPAN
Manual 6-speed (manufacturer/country)	Not Applicable
Automatic (manufacturer/country)	GM POWERTRAIN STRASBOURG
Automatic overdrive (manufacturer/country)	Not Applicable

### Manual Transmission/Transaxle

Number of forward speeds		5
Gear ratios	1st	3.652
	2nd	1.947
	3rd	1.379
	4th	1.000
	5th	0.864
	6th	Not Applicable
	Reverse	3.670
Synchronous meshing (specify gears)		All Forward Gears
Shift lever location		Floor Mounted
Trans. case material & mass kg. (lbs.)*		Aluminum die-cast, 31.6 (69.7)
Lubricant	Capacity L (pt.)	2WD: 1.9L (4.0) 4WD: 1.5L (3.2)
	Type recommended	Gear Oil GL-4
SAE Viscosity Number		75 W/85 - All Season, 75W/90 Available

### Clutch (Manual Transmission)

Clutch manufacturer		DAIKIN CLUTCH CORPORATION
Clutch type (dry, wet; single, multiple disc)		Dry, Single Disc
Linkage (hydraulic, cable, rod, lever, other)		Cable
Max. pedal effort (nom. spring load) N (lbs.)	Depressed	120
	Released	75
Assist (spring, power/percent, nominal)		Spring
Type pressure plate springs		Diaphragm Spring
Total spring load (nominal) N (lbs.)		3920 N
Clutch facing	Facing mgr. & material coding	HITACHI CHEMICAL Co., Ltd., HN73G
	Facing material & construction	Non-Asbestos, Semi-Mold
	Rivets per facing	16
	Outside x inside dia. (nominal)	215 x 150
	Total eff. area cm <sup>2</sup> (in. <sup>2</sup> )	186
	Thickness (pressure plate side/ty wheel side)	3.5 mm / 3.5 mm (0.14 in. / 0.14 in.)
	Rivet depth (pressure plate side/ty wheel side)	Min. 1.3 mm / Min. 1.3 mm (0.05 in / 0.05 in.)
Engagement cushion method		Separate Cushion Type
Release bearing type & method lub.		Automatic Center Adjusting Type with Grease Lubrication
Torsional damping method, springs, hysteresis		Spring Type

\* Includes shift linkage, lubricant, and clutch housing. If other specify.





# MVMA Specifications

Vehicle Line Geo TRACKER  
 Model Year 1995 Issued 9/94 Revised (\*) \_\_\_\_\_

METRIC (U.S. Customary)

Engine Description  
 Engine Code

1.6 LITER L4 (97 CID)  
 ELECTRONIC FUEL INJECTION RPO LS5 (2 VALVE)

## Automatic Transmission/Transaxle

Trade Name		3-Speed Automatic
Type and special features (describe)		Torque Converter wit Planetary Gears
Shift mechanics		Hydraulic Control
Gear selector	Location (column, floor, other)	Floor Mounted
	Ltr./No. designation (e.g. PRND21)	P-R-N-D-2-1
	Shift interlock (yes, no, describe)	Yes
Gear ratios	1st	2400
	2nd	1.468
	3rd	1.000
	4th	Not Applicable
	5th	-
	6th	-
	Reverse	2.000
Final drive ratio		4.625
Max. upshift vehicle speed - drive range km/h (mph)		2WD: 1-2: 55, 2-3: 89
Max. upshift engine speed RPM		5750
Max. lockdown speed - drive range km/h (mph)		2WD: 2-1: 43, 3-2: 91
Min. overdrive speed km/h (mph)		Not Applicable
Torque converter	Type	3 Elements, 1 Stage, 2 Phases
	Torus design	ROUND
	Number of elements	3
	Max. ratio at stall	2.40:1
	Type of cooling (air, liquid)	Liquid
	Nominal diameter	245 mm (9.65 in.)
Capacity factor "K"		K: 260
Pump type		Involute Gear
Lubricant	Capacity refill L (pt.)	5.1 (10.8)
	Type recommended	DEXRON III
Oil cooler (std., opt., N.A., internal, external, air, liquid)		Std., Integral with Radiator
Transmission mass kg (lbs.) & case material**		Aluminum die cast, 64.2 (141)

## All Wheel / 4 Wheel Drive

(Not Applicable - 2 Wheel Drive Models)

Description & type (part-time, full-time, 2/4 shift while moving, mechanical, elect., chain/gear, etc.)		Part Time
Transfer case	Manufacturer and model	SUZUKI MOTOR CORPORATION
	Type and location	Constant Mesh Helical Gear
Low-range gear ratio		1.816
System disconnect (describe)		Transfer Lever
Center differential	Type (bevel, planetary, w or w/o viscous bias, torsen, etc.)	Not Applicable
	Torque split (% front/rear)	Not Applicable

\* Input speed +  $\sqrt{\text{torque}}$

\*\* Dry weight including torque converter. If other, specify.



.

.



# MVMA Specifications

Vehicle Line Geo TRACKER  
 Model Year 1995 Issued 8/94 Revised (0)

METRIC (U.S. Customary)

Engine Description  
 Engine Code

1.6 LITER L4 (97 CID)  
 ELECTRONIC FUEL INJECTION RPO L01 (4 VALVE)

Automatic Transmission/Transaxle

Trade Name	3-Speed Automatic	
Type and special features (describe)	Torque Converter wit Planetary Gears	
Shift mechanics	Hydraulic Control	
Gear selector	Location (column, floor, other)	Floor Mounted
	Ltr./No. designation (e.g. PRND21)	P-R-N-D-2-1
	Shift interlock (yes, no, describe)	Yes
Gear ratios	1st	2.400
	2nd	1.468
	3rd	1.000
	4th	Not Applicable
	5th	"
	6th	"
	Reverse	2.000
Final drive ratio	4.300	
Max. upshift vehicle speed - drive range km/h (mph)	2WD: 1-2: 52, 2-3: 98, 4WD: 2-1: 53, 3-2:100	
Max. upshift engine speed RPM	5700	
Max. kickdown speed - drive range km/h (mph)	2WD: 2-1: 52, 3-2: 98	
Min. overdrive speed km/h (mph)	Not Applicable	
Torque converter	Type	3 Elements, 1 Stage, 2 Phases
	Torus design	ROUND
	Number of elements	3
	Max. ratio at stall	2.40:1
	Type of cooling (air, liquid)	Liquid
	Nominal diameter	245 mm (9.65 in.)
Capacity factor "K"	K: 260	
Pump type	Involute Gear	
Lubricant	Capacity refill L (pt.)	5.1 (10.8)
	Type recommended	DEXRON III
Oil cooler (std., opt., N.A., internal, external, air, liquid)	Std., Integral with Radiator	
Transmission mass kg (lbs.) & case material**	Aluminum die cast, 64.2 (141)	

All Wheel / 4 Wheel Drive

(Not Applicable - 2 Wheel Drive Models)

Description & type (part-time, full-time, 2/4 shift while moving, mechanical, elect., chain/gear, etc.)	Part Time	
Transfer case	Manufacturer and model	SUZUKI MOTOR CORPORATION
	Type and location	Constant Mesh Helical Gear
Low-range gear ratio	1.818	
System disconnect (describe)	Transfer Lever	
Center differential	Type (bevel, planetary, w or w/o viscous bias, torsen, etc.)	Not Applicable
	Torque split (% front/rear)	Not Applicable

\* Input speed +  $\sqrt{\text{torque}}$

\*\* Dry weight including torque converter. If other, specify.



# MVMA Specifications

Vehicle Line Geo TRACKER  
 Model Year 1995 Issued 9/94 Revised (●) \_\_\_\_\_

## METRIC (U.S. Customary)

Engine Description  
 Engine Code

1.6 LITER L4 (97 CID)  
 ELECTRONIC FUEL INJECTION RPO LS5 (2 VALVE)

Axle Ratio and Tooth Combinations (See  
 "Power Teams" for axle ratio usage)

Effective final drive ratio (or overall top gear ratio)		MT: 5.125	AT: 4.625
Transfer ratio and method (chain, gear, etc.)		1.00 (high), 1.82 (low) Gear	
Front drive unit	Ring gear o.d.	MT: 175.75 mm (6.92 in.)	AT: 175.75 mm (6.92 in.)
	No. of teeth	Pinion	MT: 8
		Ring gear	MT: 41
			AT: 37

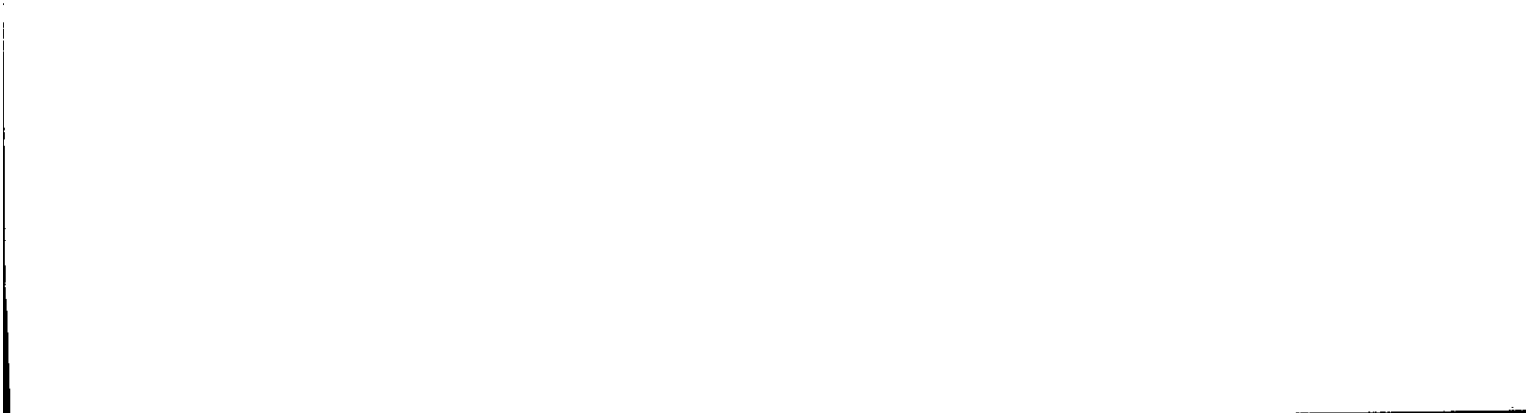
### Front Drive Unit

Description (Integral to trans., etc.)		Differential with Hypoid Gear and Taper Bearing	
Limited slip differential (type)		Not Applicable	
Drive pinion	Type	Hypoid Gear	
	Offset	23 mm (0.91 in.)	
No. of differential pinions		2	
Pinion / differential	Adjustment (shim, etc.)	Shim	
	Bearing adjustment	Collapsible	
Driving wheel bearing (type)		Taper Bearing	
Lubricant	Capacity L (pt.)	MT: See Page 8	AT: See Page 9
	Type recommended	MT: See Page 8	AT: See Page 9
SAE Viscosity Number		MT: See Page 8	AT: See Page 9

### Axle Shafts - Front Wheel Drive

Manufacturer and number used		NTN CORPORATION, 2		
Type (straight, solid bar, tubular, etc.)	Left	Solid Bar		
	Right	Solid Bar		
Outer diam. x length* x wall thickness	Manual Transaxle	Left	24 x 310.5 mm (0.94 x 12.22 in.)	
		Right	24 x 305.5 mm (0.94 x 12.03 in.)	
	Automatic transaxle	Left	22 x 310.5 mm (0.87 x 12.22 in.)	
		Right	22 x 305.5 mm (0.87 x 12.03 in.)	
	Optional transaxle	Left	Not Applicable	
		Right	Not Applicable	
Slip yoke	Type	Not Applicable		
	Number of teeth	"		
	Spline o.d.	"		
Universal joints	Make and mfg. no.	Inner	NDI CORPORATION, 2	
		Outer	NDI CORPORATION, 2	
	Number used		4	
	Type, size, plunge	Inner	Double Offset Joint, DQJ82	
		Outer	Rzeppa, BJ82	
	Attach (u-bolt, clamp, etc.)		Bolt & Clip	
Bearing	Type (plain, anti-friction)	Anti-Friction		
	Lubrication (fitting, prepack)	Prepack		
Drive taken through (torque tube, arms or springs)		Lower: Control Arm, Upper: McPherson Strut		
Torque taken through (torque tube, arms or springs)		Diff. Mounting System		

\* Centerline to centerline of universal joints, or to centerline of attachment.



# MVMA Specifications

Vehicle Line Geo TRACKER  
 Model Year 1995 Issued 9/94 Revised (●) \_\_\_\_\_

## METRIC (U.S. Customary)

Engine Description  
 Engine Code

1.6 LITER L4 (97 CID)  
 ELECTRONIC FUEL INJECTION RPO L01 (4 VALVE)

Axle Ratio and Tooth Combinations (See  
 \*Power Teams\* for axle ratio usage)

Effective final drive ratio (or overall top gear ratio)		MT: 5.125	AT: 4.300
Transfer ratio and method (chain, gear, etc.)		1.00 (high), 1.82 (low) Gear	
Front drive unit	Ring gear o.d.	MT: 175.75 mm (6.92 in.)	AT: 175.75 mm (6.92 in.)
	No. of teeth	Pinion	MT: 8
		Ring gear	AT: 10
		MT: 41	AT: 43

### Front Drive Unit

Description (integral to trans., etc.)		Differential with Hypoid Gear and Taper Bearing	
Limited slip differential (type)		Not Applicable	
Drive pinion	Type	Hypoid Gear	
	Offset	23 mm (0.91 in.)	
No. of differential pinions		2	
Pinion / differential	Adjustment (shim, etc.)	Shim	
	Bearing adjustment	Collapsible	
Driving wheel bearing (type)		Taper Bearing	
Lubricant	Capacity L (pt.)	MT: See Page 8	AT: See Page 9
	Type recommended	MT: See Page 8	AT: See Page 9
SAE Viscosity Number		MT: See Page 8	AT: See Page 9

### Axle Shafts - Front Wheel Drive

Manufacturer and number used		NTN CORPORATION, 2		
Type (straight, solid bar, tubular, etc.)	Left	Solid Bar		
	Right	Solid Bar		
Outer diam. x length* x wall thickness	Manual Transaxle	Left	24 x 310.5 mm (0.94 x 12.22 in.)	
		Right	24 x 305.5 mm (0.94 x 12.22 in.)	
	Automatic transaxle	Left	22 x 310.5 mm (0.87 x 12.22 in.)	
		Right	22 x 305.5 mm (0.87 x 12.03 in.)	
	Optional transaxle	Left	Not Applicable	
		Right	Not Applicable	
Slip yoke	Type	Not Applicable		
	Number of teeth	-		
	Spline o.d.	-		
Universal joints	Make and mfg. no.	Inner	NDI CORPORATION, 2	
		Outer	NDI CORPORATION, 2	
	Number used		4	
	Type, size, plunge	Inner	Double Offset Joint, DOJ82	
		Outer	Rzeppa, BJ82	
	Attach (U-bolt, clamp, etc.)		Bolt & Clip	
Bearing	Type (plain, anti-friction)	Anti-Friction		
	Lubrication (fitting, prepack)	Prepack		
Drive taken through (torque tube, arms or springs)		Lower: Control Arm, Upper: McPherson Strut		
Torque taken through (torque tube, arms or springs)		Diff. Mounting System		

\* Centerline to centerline of universal joints, or to centerline of attachment.





# MVMA Specifications

Vehicle Line Geo TRACKER  
 Model Year 1995 Issued 8/94 Revised (e) \_\_\_\_\_

## METRIC (U.S. Customary)

Engine Description  
 Engine Code

1.6 LITER L4 (97 CID)  
 ELECTRONIC FUEL INJECTION RPO LS5 (2 VALVE)

Axle Ratio and Tooth Combinations (See  
 'Power Teams' for axle ratio usage)

Axle ratio (or overall top gear ratio)		MT: 5.125 AT: 4.625
Ring gear o.d.		190 mm
No. of teeth	Pinion	MT: 8 AT: 8
	Ring gear	MT: 41 AT: 37

### Rear Axle Unit

Description		Differential with Hypoid Gear and Taper Bearings
Limited slip differential (type)		None
Drive pinion	Type	Hypoid Gear
	Offset	27 mm (1.06 in.)
No. of differential pinions		4
Pinion / differential	Adjustment (shim, etc.)	Shim
	Bearing adjustment	Collapsible
Driving wheel bearing (type)		Taper Bearing
Lubricant	Capacity L (pt.)	4WD: T/F oil → 1.7L, Diff Oil → Front 1.0, Rear, 2.2L 2WD; Diff oil → 2.2L
	Type recommended	Hypoid Gear Oil GL-5
SEA Viscosity Number		75W-85

### Propeller Shaft - Rear Wheel Drive

Manufacturer Type (straight tube, tube-in-tube, internal-external damper, etc.)		HAMANA PARTS Co., Ltd. Straight Tube	
Outer diam. x	Manual 4-speed transmission	N/A	
	Manual 5-speed transmission	4WD: Front ø 38.1 x 506 x 3.2 Rear: ø 50.8 x 722 x 2.3 2WD: Rear ø 65.0 x 993 x 1.8 Rear: ø 65.0 x 978 x 1.8	
length* x wall thickness	Manual 6-speed transmission	Not Applicable	
	Overdrive	Not Applicable	
Intermediate bearing	Automatic transmission	Same as Manual Transmission	
	Type (plain, anti-friction)	Not Applicable	
Slip yoke	Lubrication (fitting, prepack)	Not Applicable	
	Type	Involute Serration Hole	
	Number of teeth	4WD; 26, 2WD; 23	
	Spline o.d.	4WD; 27, 2WD; 24	
Universal joints	Make and mfg. no.	Front	Koyo Seiko Co., Ltd.
		Rear	Koyo Seiko Co., Ltd.
	Number used	4WD; 4 2WD; 2	
	Type (ball and trunnion, cross)	Cross Type	
Bearing	Rear attach (u-bolt, clamp, etc.)		Flange and Bolts
	Type (plain, anti-friction)	Needle Bearing	
	Lubrication (fitting, prepack)	Grease	
Drive taken through (torque tube, arms or springs)		Upper and Lower Arm	
Torque taken through (torque tube, arms or springs)		Engine Mounting System	

\* Centerline to centerline of universal joints, or to centerline of rear attachment.



# MVMA Specifications

Vehicle Line Geo TRACKER  
 Model Year 1995 Issued 8/94 Revised (e) \_\_\_\_\_

## METRIC (U.S. Customary)

Engine Description  
 Engine Code

1.6 LITER L4 (97 CID)  
 ELECTRONIC FUEL INJECTION RPO L01 (4 VALVE)

Axle Ratio and Tooth Combinations (See  
 \*Power Teams\* for axle ratio usage)

Axle ratio (or overall top gear ratio)		MT: 5.125 AT: 4.300
Ring gear o.d.		190 mm
No. of teeth	Pinion	MT: 8 AT: 10
	Ring gear	MT: 41 AT: 43

### Rear Axle Unit

Description		Differential with Hypoid Gear and Taper Bearings
Limited slip differential (type)		None
Drive pinion	Type	Hypoid Gear
	Offset	27 mm (1.06 in.)
No. of differential pinions		4
Pinion / differential	Adjustment (shim, etc.)	Shim
	Bearing adjustment	Collapsible
Driving wheel bearing (type)		Taper Bearing
Lubricant	Capacity L (pt.)	4WD: T/F oil → 1.7L, Diff Oil → Front 1.0, Rear: 2.2L 2WD; Diff oil → 2.2L
	Type recommended	Hypoid Gear Oil GL-5
SEA Viscosity Number		75W-85

### Propeller Shaft - Rear Wheel Drive

Manufacturer Type (straight tube, tube-in-tube, Internal-external damper, etc.)		HAMANA PARTS Co., Ltd. Straight Tube	
Outer diam. x	Manual 4-speed transmission	N/A	
	Manual 5-speed transmission	4WD: Front $\phi$ 38.1 x 506 x 3.2 Rear: $\phi$ 50.8 x 722 x 2.3 2WD: Rear $\phi$ 65.0 x 993 x 1.6 Rear: $\phi$ 65.0 x 976 x 1.6	
length* x wall thickness	Manual 6-speed transmission	Not Applicable	
	Overdrive	Not Applicable	
Automatic transmission		Same as Manual Transmission	
Intermediate bearing	Type (plain, anti-friction)	Not Applicable	
	Lubrication (fitting, prepack)	Not Applicable	
Slip yoke	Type	Involute Serration Hole	
	Number of teeth	4WD: 26, 2WD: 23	
	Spline o.d.	4WD: 27, 2WD: 24	
Universal joints	Make and mfg. no.	Front	Koyo Seiko Co., Ltd.
		Rear	Koyo Seiko Co., Ltd.
	Number used	4WD: 4 2WD: 2	
	Type (ball and trunnion, cross)	Cross Type	
	Rear attach (u-bolt, clamp, etc.)	Flange and Bolts	
Bearing	Type (plain, anti-friction)	Needle Bearing	
	Lubrication (fitting, prepack)	Grease	
Drive taken through (torque tube, arms or springs)		Upper and Lower Arm	
Torque taken through (torque tube, arms or springs)		Engine Mounting System	

\* Centerline to centerline of universal joints, or to centerline of rear attachment.



# MVMA Specifications

Vehicle Line Geo TRACKER  
 Model Year 1995 Issued 9/94 Revised (\*) \_\_\_\_\_

## METRIC (U.S. Customary)

Model Code/Description And/Or  
 Engine Code/Description

1.6 LITER L4 (97 CID)  
 ELECTRONIC FUEL INJECTION RPO LS5 (2 VALVE)  
 4WD MODELS AND 2WD MODELS

### Suspension - General Including Electronic Controls

	Standard/optional/not available	Not Applicable		
Car leveling	Manual/automatic control	•		
	Type (air/hydraulic)	•		
	Primary/assist spring	•		
	Rear only/4 wheel leveling	•		
	Single/dual rate spring	•		
	Single/dual ride heights	•		
	Provision for jacking	•		
	Shock absorber damping controls	Standard/option/not available	•	
Manual/automatic control		•		
Number of damping rates		•		
Type of actuation (manual/electric motor/air, etc.)		•		
Sensors		Lateral acceleration	•	
		Deceleration	•	
		Acceleration	•	
	Road surface	•		
Shock absorber (front & rear)	Type	Front: Double Action Telescopic	Rear: Double Action Telescopic	
	Make	Front: SUNBURY	Rear: Tokico or MONROE	
	Piston diameter	Front: 32	Rear: Tokico-25 mm, MONROE 25.4 mm	
	Rod diameter	Front: 22	Rear: Tokico-12.5 mm, MONROE 12.4 mm	

### Suspension - Front

Type and description		McPherson Strut (separate coil spring)
Travel	Full bounce (define load condition)	4WD: 100, 2WD: 90
	Full rebound	4WD: 60, 2WD: 70
Spring	Type (coil, leaf, other & material)	Coil, Steel
	Insulators (type & material)	Rubber
	Size (Leaf: length & width; Coil: design height & Ld.; Bar: length & diameter)	Coil: 4WD: 227 x 83, 2WD: 220 x 83
	Spring rate N/mm (lb./in.)	79.4 (452.8)
	Rate at wheel N/mm (lb./in.)	27.4 (156.5)
Stabilizer	Type (link, linkless, frameless)	Link
	Material & O.D. bar/tube, wall thickness	Steel Tube, ø 24.2 x 3.0 (0.95 x 0.12)

### Suspension - Rear

Type and description		Rigid Axle with Lower Trailing Arm & Upper A Shape Arm	
Travel	Full bounce (define load condition)	4WD: 110, 2WD: 100	
	Full rebound	50	
Spring	Type (coil, leaf, other & material)	Coil, Steel	
	Size (Leaf: length & width; Coil: design height & Ld.; Bar: length & diameter)	4WD: 250 x 83.8, 2WD: 238 x 84.1	
	Spring rate N/mm (lb./in.)	27.4 (156.3)	
	Rate at wheel N/mm (lb./in.)	27.4 (156.3)	
	Insulators (type & material)	Rubber	
	If leaf	No. of leaves	Not Applicable
		Shackle (comp. or tens.)	•
Stabilizer	Type (link, linkless, frameless)	•	
	Material & O.D. bar/tube, wall thickness	•	
Track bar (type)		•	



.

.



# MVMA Specifications

Vehicle Line Geo TRACKER  
 Model Year 1995 Issued 9/94 Revised (●) \_\_\_\_\_

## METRIC (U.S. Customary)

Model Code/Description And/Or  
 Engine Code/Description

1.6 LITER L4 (97 CID)  
 ELECTRONIC FUEL INJECTION RPO L01 (4 VALVE)  
 4WD MODELS AND 2WD MODELS

### Suspension - General including Electronic Controls

	Standard/optional/not available	Not Applicable		
Car leveling	Manual/automatic control	•		
	Type (air/hydraulic)	•		
	Primary/assist spring	•		
	Rear only/4 wheel leveling	•		
	Single/dual rate spring	•		
	Single/dual ride heights	•		
	Provision for jacking	•		
	Standard/option/not available	•		
Shock absorber damping controls	Manual/automatic control	•		
	Number of damping rates	•		
	Type of actuation (manual/electric motor/air, etc.)	•		
	Sensors	Lateral acceleration	•	
		Deceleration	•	
		Acceleration	•	
Road surface		•		
Shock absorber (front & rear)	Type	Front: Double Action Telescopic	Rear: Double Action Telescopic	
	Make	Front: SUNBURY	Rear: Tokico or MONROE	
	Piston diameter	Front: 32	Rear: Tokico-25 mm, MONROE 25.4 mm	
	Rod diameter	Front: 22	Rear: Tokico-12.5 mm, MONROE 12.4 mm	

### Suspension - Front

Type and description		McPherson Strut (separate coil spring)
Travel	Full jounce (define load condition)	4WD: 100, 2WD: 90
	Full rebound	4WD: 60, 2WD: 70
Spring	Type (coil, leaf, other & material)	Coil, Steel
	Insulators (type & material)	Rubber
	Size (Leaf: length & width; Coil: design height & I.d.; Bar: length & diameter)	Coil: 4WD: 227 x 83, 2WD: 220 x 83
	Spring rate N/mm (lb./in.)	79.4 (452.8)
	Rate at wheel N/mm (lb./in.)	27.4 (156.5)
Stabilizer	Type (link, linkless, frameless)	Link
	Material & O.D. bar/tube, wall thickness	Steel Tube, ø 24.2 x 3.0 (0.95 x 0.12)

### Suspension - Rear

Type and description		Rigid Axle with Lower Trailing Arm & Upper A Shape Arm
Travel	Full jounce (define load condition)	4WD: 110, 2WD: 100
	Full rebound	50
Spring	Type (coil, leaf, other & material)	Coil, Steel
	Size (Leaf: length & width; Coil: design height & I.d.; Bar: length & diameter)	4WD: 250 x 83.8, 2WD: 238 x 84.1
	Spring rate N/mm (lb./in.)	27.4 (156.3)
	Rate at wheel N/mm (lb./in.)	27.4 (156.3)
	Insulators (type & material)	Rubber
	If leaf	No. of leaves
Shackle (comp. or sens.)		•
Stabilizer	Type (link, linkless, frameless)	•
	Material & O.D. bar/tube, wall thickness	•
Track bar (type)		•





# MVMA Specifications

Vehicle Line Geo TRACKER  
 Model Year 1995 Issued 9/94 Revised (#) \_\_\_\_\_

METRIC (U.S. Customary)

Model Code/Description And/Or  
 Engine Code/Description

1.6 LITER L4 (97 CID)  
 ELECTRONIC FUEL INJECTION RPO LS5 (2 VALVE)

## Brakes - Service

Description		Power - Assisted (Front Solid Disc/Rear Drum)		
Manufacturer and brake type (std., opt., n.a.)	Front (disc or drum)	Tokico, Disc		
	Rear (disc or drum)	Nisshinbo, Drum		
Valving type (proportion, delay, metering, other)		Proportion		
Power brake (std., opt., n.a.)		Standard		
Booster type (remote, integral, vac., hyd., etc.)		Vac.		
Vacuum	Source (inline, pump, etc.)	Inline (Intake Manifold)		
	Reservoir (volume in. <sup>3</sup> )	Not Applicable		
	Pump-type (elec., gear or belt driven)	-		
Traction assist	Operational speed range	-		
	Type (engine or brake intervention)	-		
Antilock device	Front/rear (std., opt., n.a.)	Rear Standard		
	Manufacturer	KELSEY-HAYES COMPANY		
	Type (electronic, mech.)	Electronic		
	Number sensors or circuits	1		
	Number antilock hydraulic circuits	1		
	Integral or add-on system	Add-On System		
	Yaw control (yes, no)	No		
Hyd. power source (elec., vac., mtr., pwr., stg.)		Electronic		
Effective area cm <sup>2</sup> (in. <sup>2</sup> )*		135/287 (21/44)		
Gross Lining area cm <sup>2</sup> (in. <sup>2</sup> )** (F/R)		140/287 (22/44)		
Swept area cm <sup>2</sup> (in. <sup>2</sup> )** (F/R)		1322/470 (205/73)		
Rotor	Outer working diameter	F/R	290 (11.4) / -	
	Inner working diameter	F/R	205 (8.07) / -	
	Thickness	F/R	10 (0.39) / -	
	Material & type (vented/solid)	F/R	Cast iron, Solid	
Drum	Diameter & width	F/R	- / 220 x 34 (- / 8.66 x 1.34 in.)	
	Type and material	F/R	- / Cast iron	
Wheel cylinder bore		48.1 / 23.8 (0.87 / 1.22)		
Master cylinder	Bore/stroke	F/R	22.2/31.0 (0.87 / 1.22)	
Pedal arc ratio		4.5:1		
Line press. at 445 N (100 lb.) pedal load (kPa (psi))		9.7 x 10 (1400)		
Lining clearance		F/R	Self Adjusting / Self Adjusting	
Brake lining	Front wheel	Bonded or riveted (rivets/seg.)		Bonded
		Rivet Size		Not Applicable
		Manufacturer		NISSHINBO INDUSTRIES, INC.
		Lining code *****		NBK D6654H FF
		Material		Resin mold including metal
		****	Primary or out-board	99 x 42 x 10 (3.90 x 1.65 x 0.39)
	Size	Secondary or in-board	99 x 42 x 10 (3.90 x 1.65 x 0.39)	
	Shoe thickness (no lining)		5 mm	
	Rear wheel	Bonded or riveted (rvts/seg.)		Bonded
		Manufacturer		JAPAN BRAKE Industrial Co., Ltd.
		Lining code *****		JB NL 85 EE
		Material		Resin mold
		****	Primary or out-board	211 x 34 x 5.5 (8.31 x 1.34 x 0.22)
Size		Secondary or in-board	211 x 34 x 5.5 (8.31 x 1.34 x 0.22)	
Shoe thickness (no lining)		2.6 (0.10)		

\* Excludes rivet holes, grooves, chamfers, etc. \*\* Includes rivet holes, grooves, chamfers, etc.  
 \*\*\* Total swept area for four brakes. (Drum brake: Widest lining contact width for each brake x its contact circumference.)  
 (Disc brake: Square of Outer Working Dia. minus Square of inner Working Dia. multiplied by PI/2 for each brake.)  
 \*\*\*\* Size for drum brakes includes length x width x thickness. \*\*\*\*\* Manufacturer I.D., catalog for formulation designation and coefficient of friction classification.



# MVMA Specifications

Vehicle Line Geo TRACKER  
 Model Year 1995 Issued 9/94 Revised (●) \_\_\_\_\_

## METRIC (U.S. Customary)

Model Code/Description And/Or  
 Engine Code/Description

1.6 LITER L4 (97 CID)  
 ELECTRONIC FUEL INJECTION RPO L01 (4 VALVE)

### Brakes - Service

Description		Power - Assisted (Front Solid Disc/Rear Drum)		
Manufacturer and brake type (std., opt., n.a.)	Front (disc or drum)	Tokico, Disc		
	Rear (disc or drum)	Nisshinbo, Drum		
Valving type (proportion, delay, metering, other)		Proportion		
Power brake (std., opt., n.a.)		Standard		
Booster type (remote, integral, vac., hyd., etc.)		Vac.		
Vacuum	Source (inline, pump, etc.)	Inline (Intake Manifold)		
	Reservoir (volume in. <sup>3</sup> )	Not Applicable		
	Pump-type (elec., gear or belt driven)	"		
Traction assist	Operational speed range	"		
	Type (engine or brake intervention)	"		
Antilock device	Front/rear (std., opt., n.a.)	Rear Standard		
	Manufacturer	KELSEY-HAYES COMPANY		
	Type (electronic, mech.)	Electronic		
	Number sensors or circuits	1		
	Number antilock hydraulic circuits	1		
	Integral or add-on system	Add-On System		
Yaw control (yes, no)		No		
Hyd. power source (elec., vac., mfr., pwr., strg.)		Electronic		
Effective area cm <sup>2</sup> (in. <sup>2</sup> )*		135/287 (21/44)		
Gross Lining area cm <sup>2</sup> (in. <sup>2</sup> )** (F/R)		140/287 (22/44)		
Swept area cm <sup>2</sup> (in. <sup>2</sup> )** (F/R)		1322/470 (205/73)		
Rotor	Outer working diameter	F/R	290 (11.4) / -	
	Inner working diameter	F/R	205 (8.07) / -	
	Thickness	F/R	10 (0.39) / -	
	Material & type (vented/solid)	F/R	Cast iron, Solid	
Drum	Diameter & width	F/R	- / 220 x 34 (- / 8.66 x 1.34 in.)	
	Type and material	F/R	- / Cast iron	
Wheel cylinder bore		48.1 / 23.8 (0.87 / 1.22)		
Master cylinder	Bore/stroke	F/R	22.2/31.0 (0.87 / 1.22)	
Pedal arc ratio		4.5:1		
Line press. at 445 N (100 lb.) pedal load [kPa (psi)]		9.7 x 10 (1400)		
Lining clearance		F/R	Self Adjusting / Self Adjusting	
Brake lining	Front wheel	Bonded or riveted (rivets/seg.)		Bonded
		Rivet Size		Not Applicable
		Manufacturer		NISSHINBO INDUSTRIES, INC.
		Lining code *****		NBK D6654H FF
		Material		Resin mold including metal
		*****	Primary or out-board	99 x 42 x 10 (3.90 x 1.65 x 0.39)
	*****	Secondary or in-board	99 x 42 x 10 (3.90 x 1.65 x 0.39)	
	Shoe thickness (no lining)		5 mm	
	Rear wheel	Bonded or riveted (rvts/seg.)		Bonded
		Manufacturer		JAPAN BRAKE Industrial Co., Ltd.
		Lining code *****		JB NL 85 EE
		Material		Resin mold
*****		Primary or out-board	211 x 34 x 5.5 (8.31 x 1.34 x 0.22)	
*****		Secondary or in-board	211 x 34 x 5.5 (8.31 x 1.34 x 0.22)	
Shoe thickness (no lining)		2.6 (0.10)		

\* Excludes rivet holes, grooves, chamfers, etc.

\*\* Includes rivet holes, grooves, chamfers, etc.

\*\*\* Total swept area for four brakes. (Drum brake: Widest lining contact width for each brake x its contact circumference.) (Disc brake: Square of Outer Working Dia. minus Square of inner Working Dia. multiplied by Pi/2 for each brake.)

\*\*\*\* Size for drum brakes includes length x width x thickness. \*\*\*\*\* Manufacturer I.D., catalog for formulation designation and coefficient of friction classification.



# MVMA Specifications

Vehicle Line Geo TRACKER  
 Model Year 1995 Issued 9/94 Revised (#) \_\_\_\_\_

## METRIC (U.S. Customary)

Model Code/Description And/Or  
 Engine Code/Description

1.6 LITER L4 (97 CID)  
 ELECTRONIC FUEL INJECTION RPO L55 (2 VALVE) - 4WD & 2WD Models

### Tires And Wheels (Standard)

Tires	Size (service description)		4WD: P205/75R15	2WD: P195/75R15
	Type (bias, radial, steel, nylon, etc.)		Radial	
	Inflation pressure (cold) for recommended max. vehicle load	Front kPa (psi)	160 (23)	
		Rear kPa (psi)	160 (23)	
Rev./mile at 70 km/h (45 mph)		4WD: 765	2WD: 783	
Wheels	Type & material		Drop Center, Steel	
	Rim (size & flange type)		15 x 5 1/2 JJ	
	Wheel offset		25 mm	
	Attachment	Type (bolt or stud & nut)	Stud & Nut	
		Circle diameter	139.7 mm	
Number & size		5-M12		
Spare	Tire and wheel		Same Size	
	Storage position & location (describe)		Vertical, Outside of Rear Door	

### Tires And Wheels (Optional)

Tire size (service description)	Not Applicable
Type (bias, radial, steel, nylon, etc.)	Not Applicable
Wheel (type & material)	Drop Center, Aluminum Alloy
Rim (size, flange type and offset)	15 x 5 1/2 JJ, 25 mm
Tire size (service description)	Not Applicable
Type (bias, radial, steel, nylon, etc.)	"
Wheel (type & material)	"
Rim (size, flange type and offset)	"
Tire size (service description)	"
Type (bias, radial, steel, nylon, etc.)	"
Wheel (type & material)	"
Rim (size, flange type and offset)	"
Tire size (service description)	"
Type (bias, radial, steel, nylon, etc.)	"
Wheel (type & material)	"
Rim (size, flange type and offset)	"
Spare tire and wheel size	
(If configuration is different than road tire or wheel, describe optional spare tire and/or wheel location & storage position)	

### Brakes - Parking

Type of control		Lever-Hand Operated
Location of control		Between Front Seat
Operates on		Rear Service Brakes
If separate from service brakes	Type (internal or external)	Not Applicable
	Drum diameter	Not Applicable
	Lining size (length x width x thickness)	Not Applicable



# MVMA Specifications

Vehicle Line Geo TRACKER  
 Model Year 1995 Issued 9/94 Revised (#) \_\_\_\_\_

## METRIC (U.S. Customary)

Model Code/Description And/Or  
 Engine Code/Description

1.6 LITER L4 (97 CID)  
 ELECTRONIC FUEL INJECTION RPO L01(4 VALVE) - 4WD & 2WD Models

### Tires And Wheels (Standard)

Tires	Size (service description)		4WD: P205/75R15	2WD: P195/75R15
	Type (bias, radial, steel, nylon, etc.)		Radial	
	Inflation pressure (cold) for recommended max. vehicle load	Front kPa (psi)	160 (23)	
		Rear kPa (psi)	160 (23)	
Rev./mile at 70 km/h (45 mph)		4WD: 765	2WD: 783	
Wheels	Type & material		Drop Center, Steel	
	Rim (size & flange type)		15 x 5 1/2 JJ	
	Wheel offset		25 mm	
	Attachment	Type (bolt or stud & nut)	Stud & Nut	
		Circle diameter	139.7 mm	
Number & size		5-M12		
Spare	Tire and wheel		Same Size	
	Storage position & location (describe)		Vertical, Outside of Rear Door	

### Tires And Wheels (Optional)

Tire size (service description)	Not Applicable
Type (bias, radial, steel, nylon, etc.)	Not Applicable
Wheel (type & material)	Drop Center, Aluminum Alloy
Rim (size, flange type and offset)	15 x 5 1/2 JJ, 25 mm
Tire size (service description)	Not Applicable
Type (bias, radial, steel, nylon, etc.)	.
Wheel (type & material)	.
Rim (size, flange type and offset)	.
Tire size (service description)	.
Type (bias, radial, steel, nylon, etc.)	.
Wheel (type & material)	.
Rim (size, flange type and offset)	.
Tire size (service description)	.
Type (bias, radial, steel, nylon, etc.)	.
Wheel (type & material)	.
Rim (size, flange type and offset)	.
Spare tire and wheel size	
(If configuration is different than road tire or wheel, describe optional spare tire and/or wheel location & storage position)	

### Brakes - Parking

Type of control	Lever-Hand Operated	
Location of control	Between Front Seat	
Operates on	Rear Service Brakes	
If separate from service brakes	Type (internal or external)	Not Applicable
	Drum diameter	Not Applicable
	Lining size (length x width x thickness)	Not Applicable





# MVMA Specifications

Vehicle Line Geo TRACKER  
 Model Year 1995 Issued 8/94 Revised (#) \_\_\_\_\_

## METRIC (U.S. Customary)

Model Code/Description And/Or  
 Engine Code/Description

1.6 LITER I4 (97 CID)  
 ELECTRONIC FUEL INJECTION RPO LS5 (2 VALVE)

### Steering

Manual (std., opt., n.a.)		Standard		
Power (std., opt., n.a.)		Optional		
Speed-sensitive (std., opt., n.a.)		Not Applicable		
4-wheel steering (std., opt., n.a.)		Not Applicable		
Adjustable steering wheel/column (tilt, telescope, other)	Type	Tilt		
	Manufacturer	Douglas Auto Tech Corp.		
	(std., opt., n.a.)	Optional		
Wheel diameter** (W9) SAE J1100	Manual	390 (15.4)		
	Power	390 (15.4)		
Turning diameter m (ft.)	Outside front	Wall to wall (l. & r.)	10.5 (34.4)	
		Curb to curb (l. & r.)	9.8 (32.2)	
	Inside rear	Wall to wall (l. & r.)	Not Applicable	
		Curb to curb (l. & r.)	Not Applicable	
Scrub Radius*		12 mm (0.47 in.)		
Manual	Gear	Type	Recirculating Ball	
		Manufacturer	Nippon Seiko K.K.	
		Ratios	Gear Overall	18.5 - 21.0 (Variable) 21.7
	No. wheel turns (stop to stop)		3.8	
Power	Type (coaxial, elec. hyd., etc.)		Hyd.	
	Manufacturer		KOYO SEIKO Co., LTD.	
	Gear	Type	Recirculating Ball	
		Ratios	Gear Overall	17.5 19.4
		Pump (drive)		V-Ribbed Belt
	No. wheel turns (stop to stop)		3.4	
Linkage	Type		Parallel Linkage	
	Location (front or rear of wheels, other)		Front	
	Tie rods (one or two)		2	
Steering axles	Inclination at camber (deg.)		31 (Inclination of Column)	
	Bearings (type)	Upper	Ball Bearing	
		Lower	Ball Bearing	
		Thrust	Not Applicable	
Steering spindle/knuckle & joint type		Serrated Shaft		

\* The horizontal distance in the front elevation between wheel centerline and kingpin (ball joint) axle at ground.  
 \*\* See Page 23.



# MVMA Specifications

Vehicle Line Geo TRACKER  
 Model Year 1995 Issued 9/94 Revised (#) \_\_\_\_\_

## METRIC (U.S. Customary)

Model Code/Description And/Or  
 Engine Code/Description

1.6 LITER L4 (97 CID)  
 ELECTRONIC FUEL INJECTION RPO L01 (4 VALVE)

### Steering

Manual (std., opt., n.a.)		Standard	
Power (std., opt., n.a.)		Optional	
Speed-sensitive (std., opt., n.a.)		Not Applicable	
4-wheel steering (std., opt., n.a.)		Not Applicable	
Adjustable steering wheel/column (tilt, telescope, other)	Type	Tilt	
	Manufacturer	Douglas Auto Tech Corp.	
	(std., opt., n.a.)	Optional	
Wheel diameter** (W9) SAE J1100	Manual	390 (15.4)	
	Power	390 (15.4)	
Turning diameter m (ft.)	Outside front	Wall to wall (l. & r.)	10.5 (34.4)
		Curb to curb (l. & r.)	9.8 (32.2)
	Inside rear	Wall to wall (l. & r.)	Not Applicable
		Curb to curb (l. & r.)	Not Applicable
Scrub Radius*		12 mm (0.47 in.)	
Manual	Gear	Type	Recirculating Ball
		Manufacturer	Nippon Seiko K.K.
	Ratios	Gear	18.5 - 21.0 (Variable)
		Overall	21.7
No. wheel turns (stop to stop)		3.8	
Power	Type (coaxial, elec. hyd., etc.)		Hyd.
	Manufacturer		KOYO SEIKO Co., LTD.
	Gear	Type	Recirculating Ball
		Ratios	Gear
	Overall		19.4
	Pump (drive)		V-Ribbed Belt
No. wheel turns (stop to stop)		3.4	
Linkage	Type		Parallel Linkage
	Location (front or rear of wheels, other)		Front
	Tie rods (one or two)		2
Steering axis	Inclination at camber (deg.)		31 (Inclination of Column)
	Bearings (type)	Upper	Ball Bearing
		Lower	Ball Bearing
		Thrust	Not Applicable
Steering spindle/knuckle & joint type		Serrated Shaft	

\* The horizontal distance in the front elevation between wheel centerline and kingpin (ball joint) axis at ground.  
 \*\* See Page 23.



# MVMA Specifications

Vehicle Line Geo TRACKER  
 Model Year 1995 Issued 8/94 Revised (●) \_\_\_\_\_

## METRIC (U.S. Customary)

Model Code/Description And/Or  
 Engine Code/Description

1.6 LITER L4 (97 CID)  
 ELECTRONIC FUEL INJECTION RPO LS5 (2 VALVE)

### Wheel Alignment

Front wheel at curb mass (wt.)	Service checking	Caster (deg.)	1.5
		Camber (deg.)	0.5
		Toe-in outside track mm (in.)	2-6 mm (0.08-0.24 in.)
	Service reset*	Caster (deg.)	Not Applicable
		Camber (deg.)	Not Applicable
		Toe-in mm (in.)	Adjustable
	Periodic M.V. inspection	Caster (deg.)	1.5° ± 1°
		Camber (deg.)	0.5° ± 1°
		Toe-in mm (in.)	2-6 mm (0.08 - 0.24 in.)
Rear wheel at curb mass (wt.)	Service checking	Camber (deg.)	0°
		Toe-in outside track mm (in.)	0 mm
	Service reset*	Camber (deg.)	Not Applicable
		Toe-in mm (in.)	Not Applicable
	Periodic M.V. insp.	Camber (deg.)	0° ± 1°
		Toe-in mm (in.)	0 mm ± 2 mm

\* Indicates pre-set, adjustable, trend set or other.

### Electrical - instruments and Equipment

Speedometer	Type (analog, digital, std., opt.)	Analog	
	Trip odometer (std., opt., n.a.)	Standard	
Head-up display	Standard, optional, not available		Not Applicable
	Type	Secondary, opto-electronic	.
	Speedometer	Digital	.
	Status/warning indicators	Turn signals, high beam, low fuel, check gauges	.
	Brightness control	Day / night mode, adjustable	.
EGR maintenance indicator		"CHECK ENGINE" Lamp (Federal Only)	
Charge indicator	Type	Telltale Warning Light	
	Warning device (light, audible)	Light	
Temperature indicator	Type	Analog Gauge with Pointer	
	Warning device (light, audible)	Not Applicable	
Oil pressure indicator	Type	Telltale Warning Light	
	Warning device (light, audible)	Light	
Fuel indicator	Type	Analog Gauge with Pointer	
	Warning device (light, audible)	Not Applicable	
Windshield wiper	Type (standard)	Electric 2 Speed + Intermittent	
	Type (optional)	Not Applicable	
	Blade length	434 mm (17 in.)	
	Swept area cm <sup>2</sup> (in. <sup>2</sup> )	5308 (822)	
Windshield washer	Type (standard)	Electric, Lever Control: Pull Combination Switch Lever	
	Type (optional)	Not Applicable	
	Fluid level indicator (light, audible)	Not Applicable	
Rear window wiper, wiper/washer (std., opt., n.a.)		Optional	
Horn	Type	Electric Resonator	
	Number used	1	
Other		Service & Parking Brake Failure Warning Light, Seat Belt Warning Light & Buzzer, Headlamp High Beam Indicating Light, Check Engine Indicating Light, Turn Signal Indicating Light	



# MVMA Specifications

Vehicle Line Geo TRACKER  
 Model Year 1995 Issued 8/94 Revised (●) \_\_\_\_\_

## METRIC (U.S. Customary)

Model Code/Description And/OR  
 Engine Code/Description

1.6 LITER L4 (97 CID)  
 ELECTRONIC FUEL INJECTION RPO L01 (4 VALVE)

### Wheel Alignment

Front wheel at curb mass (wt.)	Service checking	Caster (deg.)	1.5
		Camber (deg.)	0.5
		Toe-in outside track mm (in.)	2-6 mm (0.08-0.24 in.)
	Service reset*	Caster (deg.)	Not Applicable
		Camber (deg.)	Not Applicable
		Toe-in mm (in.)	Adjustable
	Periodic M.V. inspection	Caster (deg.)	1.5° ± 1°
		Camber (deg.)	0.5° ± 1°
		Toe-in mm (in.)	2-6 mm (0.08 - 0.24 in.)
Rear wheel at curb mass (wt.)	Service checking	Camber (deg.)	0°
		Toe-in outside track mm (in.)	0 mm
	Service reset*	Camber (deg.)	Not Applicable
		Toe-in mm (in.)	Not Applicable
	Periodic M.V. insp.	Camber (deg.)	0° ± 1°
		Toe-in mm (in.)	0 mm ± 2 mm

\* Indicates pre-set, adjustable, trend set or other.

### Electrical - instruments and Equipment

Speedometer	Type (analog, digital, std., opt.)	Analog	
	Trip odometer (std., opt., n.a.)	Standard	
Head-up display	Standard, optional, not available		Not Applicable
	Type	Secondary, opto-electronic	•
	Speedometer	Digital	•
	Status/warning indicators	Turn signals, high beam, low fuel, check gauges:	•
	Brightness control	Day / night mode, adjustable	•
EGR maintenance indicator		"CHECK ENGINE" Lamp (Federal Only)	
Charge indicator	Type	Telltale Warning Light	
	Warning device (light, audible)	Light	
Temperature indicator	Type	Analog Gauge with Pointer	
	Warning device (light, audible)	Not Applicable	
Oil pressure indicator	Type	Telltale Warning Light	
	Warning device (light, audible)	Light	
Fuel indicator	Type	Analog Gauge with Pointer	
	Warning device (light, audible)	Not Applicable	
Windshield wiper	Type (standard)	Electric 2 Speed + Intermittent	
	Type (optional)	Not Applicable	
	Blade length	434 mm (17 in.)	
	Swept area cm <sup>2</sup> (in. <sup>2</sup> )	5308 (822)	
Windshield washer	Type (standard)	Electric, Lever Control: Pull Combination Switch Lever	
	Type (optional)	Not Applicable	
	Fluid level indicator (light, audible)	Not Applicable	
Rear window wiper, wiper/washer (std., opt., n.a.)		Optional	
Horn	Type	Electric Resonator	
	Number used	1	
Other		Service & Parking Brake Failure Warning Light, Seat Belt Warning Light & Buzzer, Headlamp High Beam Indicating Light, Check Engine Indicating Light, Turn Signal Indicating Light	





# MVMA Specifications

Vehicle Line Geo TRACKER  
 Model Year 1995 Issued 8/94 Revised (#) \_\_\_\_\_

## METRIC (U.S. Customary)

### Engine Code/Description

1.6 LITER L4 (97 CID)  
 ELECTRONIC FUEL INJECTION RPO LS5 (2 VALVE)

### Electrical - Supply System

Battery	Manufacturer	DELCO REMY
	Model, std., (opt.)	GP26-50S
	Voltage	12 V
	Amps at 0° F. cold crank	500 Amp
	Minutes-reserve capacity	75 Min.
	Amps/hrs.-20 hr. rate	45 AH
	Location	Right Hand Side of Engine Compartment
Alternator	Manufacturer	MITSUBISHI ELECTRIC
	Rating (idle/max. rpm)	55A (2159 rpm)
	Ratio (alt. crank/rev.)	2.36:1
	Output at idle (rpm, park)	30A (800 rpm)
Optional (type & rating)	None	
Regulator	Type	Integral with Alternator

### Electrical - Starting System

Motor	Manufacturer	MITSUBISHI ELECTRIC
	Current drain _____ °C (°F)	200 A max
	Power rating kw (hp)	MT: 1.2, AT: 1.4
Motor drive	Engagement type	MT: Reduction, AT: Reduction
	Pinion engages from (front, rear)	Front

### Electrical - Ignition System

Type	Electronic (std., opt., n.a.)	Electronic Spark Advance, Std.	
	Other (specify)	High Energy Ignition	
Coil	Manufacturer	MITSUBISHI ELECTRIC MANUFACTURING CINCINNATI, INC.	
	Model	J002T016722	
	Current	Engine stopped - A	0
		Engine idling - A	1.5 A max
Spark plug	Manufacturer	NGK, ND, BOSCH	
	Model	BPR5ES/BPR5E, W16EXR-U, WR8DC	
	Thread (mm)	M14 x 1.25	
	Tightening torque N-m (lb. ft.)	20-30 (15-22)	
	Gap	0.8 mm (0.03 in.)	
	Number per cylinder	1	
Distributor	Manufacturer	MITSUBISHI ELECTRIC CORP.	
	Model	T002T53471	

### Electrical - Suppression

Locations & type	Metax Oxide Coating Rotor (Distributor) High Tension Cord with Resistor Spark Plug with Resistor
------------------	--



# MVMA Specifications

Vehicle Line Geo TRACKER  
 Model Year 1995 Issued 8/94 Revised (\*) \_\_\_\_\_

## METRIC (U.S. Customary)

### Engine Code/Description

1.6 LITER L4 (97 CID)  
 ELECTRONIC FUEL INJECTION RPO L01 (4 VALVE)

### Electrical - Supply System

Battery	Manufacturer	DELCO REMY
	Model, std., (opt.)	GP26-50S
	Voltage	12 V
	Amps at 0° F. cold crank	500 Amp
	Minutes-reserve capacity	75 Min.
	Amps/hrs.-20 hr. rate	45 AH
Location		Right Hand Side of Engine Compartment
Alternator	Manufacturer	mitsubishi electric
	Rating (idle/max. rpm)	55A (2159 rpm)
	Ratio (alt. crank/rev.)	2.36:1
	Output at idle (rpm, park)	30A (800 rpm)
	Optional (type & rating)	None
Regulator	Type	Integral with Alternator

### Electrical - Starting System

Motor	Manufacturer	MITSUBISHI ELECTRIC
	Current drain _____ °C (°F)	200 A max
	Power rating kw (hp)	MT: 1.2, AT: 1.4
Motor drive	Engagement type	MT: Reduction, AT: Reduction
	Pinion engages from (front, rear)	Front

### Electrical - Ignition System

Type	Electronic (std., opt., n.a.)	Electronic Spark Advance, Std.	
	Other (specify)	High Energy Ignition	
Coil	Manufacturer	MITSUBISHI ELECTRIC MANUFACTURING CINCINNATI, INC.	
	Model	J002T016722	
	Current	Engine stopped - A	0
		Engine idling - A	1.5 A max.
Spark plug	Manufacturer	NGK, ND, BOSCH	
	Model	BKR6E, K20PR-U, FR7DC	
	Thread (mm)	M14 x 1.25	
	Tightening torque N-m (lb. ft.)	20-30 (15-22)	
	Gap	0.8 mm (0.03 in.)	
	Number per cylinder	1	
Distributor	Manufacturer	MITSUBISHI ELECTRIC CORP.	
	Model	T002T53971	

### Electrical - Suppression

Locations & type	Metax Oxide Coating Rotor (Distributor) High Tension Cord with Resistor Spark Plug with Resistor
------------------	--



# MVMA Specifications

Vehicle Line Geo TRACKER  
 Model Year 1995 Issued 9/94 Revised (#) \_\_\_\_\_

## METRIC (U.S. Customary)

Model Code/Description

ALL

### Body

Structure	Body with Chassis Frame
Bumper system front - rear	Front: Energy Absorption Type by P.P. Form Rear: P.P. Skin with Steel Core
Anti-corrosion treatment	1. Surface Treated Steel Plates 2. Vinyl Chloride Coating (Bottom/Side of Floor)

### Body - Miscellaneous Information

Type of finish (lacquer, enamel, other)	Enamel	
Hood	Material & mass	Steel 11.4 kg (25.1 lbs)
	Hinge location (front, rear)	Rear
	Type (counterbalance, prop)	Prop
	Release control (internal, external)	Internal & External
Trunk lid	Material & mass	Not Applicable
	Type (counterbalance, other)	"
	Internal release control (elec., mech., n.a.)	"
Hatchback lid	Material & mass	"
	Type (counterbalance, other)	"
	Internal release control (elec., mech., n.a.)	"
Tailgate	Material & mass	Convertible: Steel, 13.8 kg (30.4 lbs.) Hardtop: Steel, 22.1 kg (48.7 lbs.)
	Type (drop, lift, door)	Door
	Internal release control (elec., mech., n.a.)	Not Applicable
Vent window control (crank, friction, pivot, power)	Front	Not Applicable
	Rear	Softtop: N/A Hardtop: Pivot
Window regulator type (cable, tape, flex drive, etc.)	Front	Cable
	Rear	Not Applicable
Seat cushion type (e.g., 60/40 bucket, bench, wire, foam, etc.)	Front	Bucket Type, Steel Pipe Frame, Urethane Mold
	Rear	Base: Bench Type, LSI: Bucket Type, Steel Pipe Frame, Urethane Mold
	3rd seat	Not Applicable
Seat back type (e.g., 60/40 bucket, bench, wire, foam, etc.)	Front	Bucket Type, Steel Pipe Frame, Urethane Mold
	Rear	Base: Bench Type, UP Grade: Bucket Type, Steel Pipe Frame, Urethane Mold
	3rd seat	Not Applicable

### Frame

Type and description (separate frame, unitized frame, partially-unitized frame)	Separate Frame
---	----------------



# MVMA Specifications

Vehicle Line Geo TRACKER  
 Model Year 1995 Issued 8/94 Revised (\*) \_\_\_\_\_

## METRIC (U.S. Customary)

Model Code/Description

ALL

### Restraint System

Seating Position			Left	Center	Right
Active	Type & description (lap & shoulder belt, lap belt, etc.)  Standard / Optional	First seat	Lap & Shoulder Belt, ELR Standard	Not Applicable	Lap & Shoulder Belt, ALR + ELR, Standard
		Second seat	Lap & Shoulder Belt, ALR + ELR, Standard	Not Applicable	Lap & Shoulder Belt, ALR + ELR, Standard
		Third seat	Not Applicable	Not Applicable	Not Applicable
Passive	Type & description (air bag, motorized-2-point belt, fixed belt, knee bolster, manual-lap belt)  Standard / Optional	First seat	Not Applicable	Not Applicable	Not Applicable
		Second seat	Not Applicable	Not Applicable	Not Applicable
		Third seat	Not Applicable	Not Applicable	Not Applicable
<b>Glass</b>		SAE Ref.No.			
Windshield glass exposed surface area cm <sup>2</sup> (in. <sup>2</sup> )		S1	8315 cm <sup>2</sup> (1288 in <sup>2</sup> )		
Side glass exposed surface area cm <sup>2</sup> (in. <sup>2</sup> ) - total 2 sides		S2	Softtop: 8540 cm <sup>2</sup> (1324 in <sup>2</sup> )    Hardtop: 17040 cm <sup>2</sup> (2641 in <sup>2</sup> )		
Backlight glass exposed surface area cm <sup>2</sup> (in. <sup>2</sup> )		S3	Softtop: Not Applicable    Hardtop: 5472 cm <sup>2</sup> (848 in <sup>2</sup> )		
Total glass exposed surface area cm <sup>2</sup> (in. <sup>2</sup> )		S4	Softtop: 16855 cm <sup>2</sup> (2612 in <sup>2</sup> )    Hardtop: 30827 cm <sup>2</sup> (4777 in <sup>2</sup> )		
Windshield glass (type/thickness)			Laminated Glass 4.76 (0.19)		
Side glass (type/thickness)			Tempered Glass 3.5 (0.14)		
Backlight glass (type/thickness)			Tempered Glass 3.1 (0.12)		
Tinted (yes/no, location)			Yes, Windshield Glass, Side Glass, Backlight Glass		
Solar control (yes/no, coated/batched, location)			No		

### Headlamps

Description (sealed beam, halogen, replaceable bulb, etc.)	Halogen, Replaceable Bulb
Shape	Composite
Lo-beam type (2A1, 2B1, 2C1, etc.)	
Quantity	8004
Hi-beam type (1A1, 2A1, 1C1, 2C1, etc.)	2
Quantity	8004
Quantity	2





# MVMA Specifications

Vehicle Line  
Model Year

Geo TRACKER  
1995 Issued 9/94 Revised (0)

## METRIC (U.S. Customary)

Engine Code/Description

ALL

### Climate Control System

Air conditioning (std., opt., man., auto.)		Optional, Manual Control
Condenser	Type	Corrugated Fin Type
	Eff. face area (sq. mm.)	153,745
	Fins per inch	11.3
Evaporator	Type	Single Tank Laminate
	Eff. face area (sq. mm.)	40,172
	Fins per inch	14.1
Heater core	Material	Copper
	Eff. face area (sq. mm.)	19,670
	Fins per inch	29.0
Compressor	Type	Swash
	Displacement (cc.)	89.8
	Manufacturer	SANDEN CORPORATION
	A/C pulley ratio	1.17
Accumulator	Type	Not Applicable
	Height (mm.)	-
	Diameter (mm.)	-
Receiver	Type	Dryer, Sight Glass, Safety Device
	Height (mm.)	187
	Diameter (mm.)	60
Refrigerant control (CCOT, TVS, etc.)		Thermostatic Expansion Valve
Heater water valve (yes / no)		No
Refrigerant (R - 12, R - 134a, etc.)		HFC - 134a
Charge level (lbs. - oz.)		1.32 lbs.
Cold engine lockout switch (yes / no)		No
Wide open throttle cutout switch (yes / no)		No

\_\_\_\_\_

\_\_\_\_\_

# MVMA Specifications

Vehicle Line Geo TRACKER  
 Model Year 1995 Issued 9/94 Revised (\*) \_\_\_\_\_

## METRIC (U.S. Customary)

Model Code/Description

ALL

### Convenience Equipment (standard, optional, n.a.)

Clock (digital, analog)	Digital (Integrated with radio), Optional	
Compass / thermometer	Not Applicable	
Console (floor, overhead)	Floor, Standard	
Defroster, electric windshield	Not Applicable	
Defroster, electric backlight	Softtop: N.A. Hardtop: Optional	
Electronic	Diagnostic monitor (integrated, individual)	Not Applicable
	Instrument cluster (list instruments)	.
	Keyless entry	.
	Tripmeter (avg. spd., fuel)	.
	Voice alert (list items)	.
Other	None	
Fuel door lock (remote, key, electric)	Not Applicable	
Integrated Child Seating	Std./opt. & location in vehicle	
	Number of occupants	
	Occupant weight/height (min. & max.)	
	Restraint system description (3 or 5-point belts/booster seat capability)	
Daytime Running Light (Yes / No)	No	
Lamps	Auto head on/off delay, dimming	Not Applicable
	Covering	Not Applicable
	Courtesy (map, reading)	Standard Map lamp
	Door lock, ignition	Not Applicable
	Engine compartment	.
	Fog	.
	Glove compartment	.
	Trunk	.
	Illuminated entry system (list lamps, activation)	.
Other	.	
Mirrors	Day / night (auto., man.)	Manual, Standard
	L.H. (remote, power, heated)	Manual, Standard
	R.H. (convex, remote, power, heated)	Convex, Manual, Standard
	Visor vanity (RH / LH, illuminated)	Not Applicable
Navigation system (describe)	.	
Parking brake-auto release (warning light)	.	



-

-



# MVMA Specifications

Vehicle Line Geo TRACKER  
 Model Year 1995 Issued 9/94 Revised (9)

## METRIC (U.S. Customary)

Model Code/Description ALL

### Convenience Equipment (standard, optional, n.a.)

Power equipment	Deck lid (release, pull down)		Not Applicable
	Door locks (manual, automatic, describe system)		Not Applicable
	Seats	2 - 4 - 6 way, etc.	"
		Reclining (R.H., L.H.)	"
		Memory (R.H., L.H., preset recline)	"
		Support (lumbar, hip, thigh, etc.)	"
		Heated (R.H., L.H., other)	"
	Side windows		"
Vent windows		"	
Rear windows		"	
Radio systems	Antenna (location, whip, windshield, power)		Left-Front Pillar, Whip
	Standard	AM, FM, stereo, tape, compact disc, graphic equalizer, theft deterrent, radio prep package, headphone jacks, etc.	Antenna Only
	Optional		AM/FM Stereo AM/FM Stereo with Cassette AM/FM Stereo with Cassette Deck/CD
	Speaker (number, location)		Opt. 2, Instrument Panel Mounted    2, Back Door Trim
Roof: open air or fixed (flip-up, sliding, "T")			Canvas Top: Canvas, Flip-up    Hard top: N/A
Speed control device			Not Applicable
Speed warning device (light, buzzer, etc.)			"
Tachometer (rpm)			"
Telephone system (describe)			"
Theft deterrent system			Steering Lock Type

### Trailer Towing

Towing capable	Yes / No	Yes
Engine / transmission / axle	Std. / Opt.	Standard
Tow class (I, II, III)*	Std. / Opt.	I, Optional
Max. gross trailer wgt. (lbs.)	Std. / Opt.	1000
Max. trailer tongue load (lbs.)	Std. / Opt.	100
Towing package available	Yes / No	Yes

\* Class I - 2,000 lbs.    Class II - 3,500 lbs.    Class III - 5,000 lbs.



# MVMA Specifications

Vehicle Line Geo TRACKER  
 Model Year 1995 Issued 9/94 Revised (e)

## METRIC (U.S. Customary)

### Vehicle Dimensions

See Key Sheets for definitions

All dimensions to ground are for comparative purposes only. Dimensions are to be shown for all base body models of each vehicle line. SAE Ref. no. refers to the definition published in SAE Recommended Practice J1100 "Motor Vehicle Dimensions," unless otherwise specified.

Model Code/Description	SAE Ref. No.	ALL
<b>Width</b>		
Tread (front)	W101	1359 (54.9)
Tread (rear)	W102	1400 (55.1)
Vehicle width	W103	1630 (64.2)
Body width at SgRP (front)	W117	1566 (61.7)
Vehicle width (front doors open)	W120	3450 (135.8)
Vehicle width (rear doors open)	W121	Not Applicable
Tumble-home (degrees)	W122	15° 30'
Outside mirror width	W410	1820 (71.7)

### Length

Wheelbase	L101	2200 (86.6)
Vehicle length	L103	3620 (142.5)
Overhang (front)	L104	655 (30.1)
Overhang (rear)	L105	765 (30.1)
Upper structure length	L123	Softtop: 2285 (90.0) Hardtop: 2301 (90.6)
Rear Wheel C/L "X" coordinate	L127	1840 (72.4)

### Height \*\*

Passenger distribution (front/rear)	PD1 2,3	2/2	**
Trunk/cargo load		1595 (62.8)	**
Vehicle height	H101	4WD: 1654 (65.1) 2WD: 1633 (64.3)	
Conv point to ground	H114	4WD: 1103 (43.4) 2WD: 1083 (42.6)	
Deck point to ground	H138	Softtop 4WD: 1190 (46.9) 2WD: 1170 (46.1) Hardtop: 4WD: 1130 (44.5) 2WD: 1110 (43.7)	
Rocker panel-front to ground	H112	4WD: 292 (11.5) 2WD: 272 (10.7)	
Rocker panel-rear to ground	H111	4WD: 309 (12.2) 2WD: 289 (11.4)	
Windshield slope angle (degrees)	H122	45.0°	
Backlight slope angle (degrees)	H121	Softtop, 26° Hardtop: 15°	

### Ground Clearance \*\*

Front bumper to ground	H102	4WD: 327 (12.9) 2WD: 207 (12.1)
Rear bumper to ground	H104	4WD: Hardtop: 332 (13.1) Softtop: 325 (12.8), 2WD: 305 (12.0)
Bumper to ground front at curb mass (wt.)	H103	4WD: 333 (13.1) 2WD: 314 (12.4)
Bumper to ground rear at curb mass (wt.)	H105	4WD: 342 (13.5) 2WD: 315 (12.4)
Angle of approach (degrees)	H106	4WD: 40° 2WD: 37°
Angle of departure (degrees)	H107	4WD: 40° 2WD: 38°
Ramp breakover angle (degrees)	H147	4WD: 23° 2WD: 21°
Axle differential to ground (front/rear)	H153	4WD: 215/200 (8.5/7.8) 2WD: 192 (7.6)
Min. running ground clearance	H156	4WD: 200 (7.9) 2WD: 192 (7.6)
Location of min. running ground clear.		Rear Differential

\*\* All Vehicle Height And Ground Clearance Are Made Using EPA Loaded Vehicle Weight, Loading Conditions. EPA loaded vehicle weight is the base vehicle weight plus all coolant and fluids necessary for operation plus 100% of the fuel capacity, plus the weight of all options and accessories which weigh three pounds or more and which are sold on at least 33% of the car line, plus two occupants.

All linear dimensions are in millimeters (inches).





# MVMA Specifications

Vehicle Line Geo TRACKER  
 Model Year 1995 Issued 9/94 Revised (\*) \_\_\_\_\_

## METRIC (U.S. Customary) Vehicle Dimensions

See Key Sheets for definitions

Model Code/Description

SAE  
 Ref.  
 No.

ALL

### Front Compartment

SgRP front, "X" coordinate	L31	1085 (42.7)
Effective head room	H61	Softtop: 1004 (39.5) Hardtop: 1017 (40.0)
Max. effective leg room (accelerator)	L34	1069 (42.1)
SgRP to heel point	H30	325 (12.8)
SgRP to heel point	L53	820 (32.3)
Back angle (degrees)	L40	20°
Hip angle (degrees)	L42	95° 30'
Knee angle (degrees)	L44	122°
Foot angle (degrees)	L46	80°
Design H-point front travel	L17	Driver's Seat: 180, Passenger's Seat: 165
Normal driving & riding seat track trvl.	L23	Driver's Seat: 180, Passenger's Seat: 165
Shoulder room	W3	Base: 1325 (52.5), LSI: 1310 (51.6)
Hip room	W5	Base: 1316 (51.8), LSI: 1310 (51.6)
Upper body opening to ground	H50	4WD: 1573 (61.9), 2WD: 1553 (61.1)
Steering wheel maximum diameter*	W9	390 (15.4)
Steering wheel angle (degrees)	H18	31°
Accel. heel pt. to steer. whl. cntr.	L11	396 (15.6)
Accel. heel pt. to steer. whl. cntr.	H17	694 (27.3)
Undepressed floor covering thickness	H67	15 (0.6)

Front Compartment Interior Dimensions are Measured with the Seating Reference Point (SgRP) \_\_\_\_\_ mm forward and \_\_\_\_\_ mm Upward of Rearmost Position.

### Rear Compartment

SgRP point couple distance	L50	700 (27.6)
Effective head room	H63	Softtop: 990 (39.0) Hardtop: 967 (38.1)
Min. effective leg room	L51	804 (31.7)
SgRP (second to heel)	H31	385 (15.2)
Knee clearance	L46	101 (4.0)
Shoulder room	W4	1275 (50.2)
Hip room	W6	1064 (41.9)
Upper body opening to ground	H51	Not Applicable
Back angle (degrees)	L41	20°
Hip angle (degrees)	L43	92°
Knee angle (degrees)	L45	80°
Foot angle (degrees)	L47	98°
Depressed floor covering thickness	H73	15 (0.6)

### Luggage Compartment

Usable luggage capacity L (cu. ft.)	V1	Not Applicable
Liftover height	H195	687 (27.0)

### Interior Volumes (EPA Classification)

Vehicle class	Special Purpose Vehicle
Interior volume index including trunk/cargo (cu. ft.)**	3322L (117.3 cu-ft.)
Trunk/cargo index (cu. ft.)	832L (32.9 cu-ft.)

\* See page 14.

\*\* See definition page 33.

All linear dimensions are in millimeters (Inches) unless otherwise noted.

\*\*\* EPA Loaded Vehicle Weight, Loading Conditions



.

.



# MVMA Specifications

Vehicle Line Geo TRACKER  
 Model Year 1995 issued 8/94 Revised (e) \_\_\_\_\_

## METRIC (U.S. Customary)

### Vehicle Dimensions

See Key Sheets for definitions

Model Code/Description

SAE  
Ref.  
No.

ALL

#### Station Wagon/MPV\* -Third Seat

(Not Applicable)

Seat facing direction	SD1	
SgRP couple distance	L85	
Shoulder room	W85	
Hip room	W86	
Effective leg room	L86	
Effective head room	H86	
SgRP to heel point	H87	
Knee clearance	L87	
Back angle (degrees)	L88	
Hip angle (degrees)	L89	
Knee angle (degrees)	L90	
Foot angle (degrees)	L91	

#### Station Wagon/MPV\* - Cargo Space

Cargo length (open front)	L200	Not Applicable	
Cargo length (open second)	L201	Not Applicable	
Cargo length (closed front)	L202	Convertible: 793 (31.2)	Hardtop: 788 (31.0)
Cargo length (closed second)	L203	Convertible: 320 (12.6)	Hardtop: 315 (12.4)
Cargo length at belt (front)	L204	Convertible: 707 (27.8)	Hardtop: 702 (27.6)
Cargo length at belt (second)	L205	Convertible: 196 (7.7)	Hardtop: 191 (7.5)
Cargo width (wheelhouse)	W201	1060 (41.7)	
Rear opening width at floor	W203	1110 (43.7)	
Opening width at belt	W204	1112 (43.8)	
Min. rear opening width above belt	W205	Convertible: 900 (35.4)	Hardtop: 935 (36.8)
Cargo height	H201	1010 (39.8)	
Rear opening height	H202	870 (32.2)	
Tailgate to ground height	H250	4WD: 690 (27.2)	2WD: 670 (26.4)
Front seat back to load floor height	H197	750 (29.5)	
Cargo volume index m <sup>3</sup> (ft. <sup>3</sup> )	V2	Convertible: 0.91 (32.1)	Hardtop: 0.90 (31.9)
Hidden cargo volume index m <sup>3</sup> (ft. <sup>3</sup> )	V4	Not Applicable	
Cargo volume index-rear of 2-seat	V10	0.23 (8.1)	
Cargo volume index*	V6	0.932 m <sup>3</sup> (32.9 cu. ft.)	
Cargo width at floor*	W500	1280 (50.4)	
Maximum cargo height*	H505	1030 (40.6)	

#### Hatchback - Cargo Space

(Not Applicable)

Cargo length at front seatback height	L208	
Cargo length at floor (front)	L209	
Cargo length at second seatback height	L210	
Cargo length at floor (second)	L211	
Front seatback to load floor height	H197	
Second seatback to load floor height	H198	
Cargo volume index m <sup>3</sup> (ft. <sup>3</sup> )	V3	
Hidden cargo volume index m <sup>3</sup> (ft. <sup>3</sup> )	V4	
Cargo volume index - rear of 2-seat	V11	

All linear dimensions are in millimeters (inches) unless otherwise noted.

\* MPV - Multipurpose Vehicle

\*\* EPA Loaded Vehicle Weight, Loading Conditions



# MVMA Specifications

Vehicle Line Geo TRACKER  
 Model Year 1995 Issued 8/94 Revised (●) \_\_\_\_\_

## METRIC (U.S. Customary)

Model Code/  
Description

ALL

### Vehicle Fiducial Marks

Fiducial Mark Number*	Define Coordinate Location	
Front (1)	Center of 20 mm Diameter Hole on "Side Frame Center"	
Front (2)		
Rear (1)	Center of 20 mm Diameter Hole on "Reinforcement Side Frame Center End"	
Rear (2)		
NOTE: Provide 3 of 4 Fiducial Mark Locations		
Front	W21**	373 mm (14.7 in.) / - 373 mm (-14.7 mm)
	L54**	-58 mm (-2.3 in.)
	H81**	-67 mm (-2.6 in.)
	H161**	218 mm (8.6 in.)
	H163**	207 mm (8.2 in.)
Rear	W22**	405 mm (15.9 in.) / - 405 mm (-15.9 in.)
	L55**	1560 mm (61.4 in.)
	H82**	-20 mm (0.8 in.)
	H162**	265 mm (10.4 in.)
	H164**	247 mm (9.7 in.)

\* Reference - SAE Recommended Practice, J182a, Motor Vehicle Fiducial Marks.  
 \*\* Reference - SAE Recommended Practice J1100 - Motor Vehicle Dimensions.  
 \*\*\* EPA Loaded Vehicle Weight, Loading Conditions  
 All linear dimensions are in millimeters (inches) unless otherwise noted.



**MVMA Specifications**  
**METRIC (U.S. Customary)**

Vehicle Line Geo TRACKER  
 Model Year 1995 Issued 9/94 Revised (0)

		VEHICLE MASS (WEIGHT)					% PASS MASS DISTRIBUTION			
Code	Model	CURB MASS, kg. (lb.)*			Shipping Mass kg (lb)**	ETWC** Code	Pass in Front		Pass in Rear	
		Front	Rear	Total			Front	Rear	Front	Rear
	Geo TRACKER Convertible 4WD Base (M/T)	609 (1343)	495 (1091)	1104 (2434)	1077 (2374)	(2875)				
	Geo TRACKER Convertible 4WD Base (A/T)	620 (1367)	500 (1102)	1120 (2469)	1093 (2409)	(2875)				
	Geo TRACKER Convertible 4WD LSi (M/T)	617 (1360)	501 (1104)	1118 (2465)	1091 (2404)	(2875)				
	Geo TRACKER Convertible 4WD LSi (A/T)	627 (1382)	506 (1116)	1133 (2498)	1106 (2437)	(2875)				
	Geo TRACKER Convertible 2WD 4 Valve Base (M/T)	563 (1241)	476 (1049)	1039 (2291)	1012 (2230)	(2625)				
	Geo TRACKER Convertible 2WD 4 Valve Base (A/T)	569 (1254)	482 (1063)	1051 (2317)	1024 (2257)	(2625)				
	Geo TRACKER Convertible 2WD 2 Valve Base (M/T)	563 (1241)	456 (1005)	1019 (2246)	992 (2186)	(2625)				
	Geo TRACKER Convertible 2WD 2 Valve Base (A/T)	569 (1254)	462 (1019)	1031 (2273)	1004 (2213)	(2625)				
	Geo TRACKER Hardtop 4WD Base (M/T)	627 (1382)	505 (1113)	1132 (2496)	1105 (2435)	(2875)				
	Geo TRACKER Hardtop 4WD Base (A/T)	633 (1396)	508 (1120)	1141 (2515)	1114 (2455)	(2875)				
	Geo TRACKER Hardtop 4WD LSi (M/T)	634 (1398)	511 (1127)	1145 (2524)	1118 (2464)	(2875)				
	Geo TRACKER Hardtop 4WD LSi (A/T)	640 (1411)	514 (1133)	1154 (2544)	1127 (2484)	(2875)				

\* Reference - SAE J1100 Motor vehicle dimensions, curb weight definition.  
 \*\* ETWC - Equivalent Test Weight Class - basis for U.S. Environmental Protection Agency emission certifications.  
 Refer to ETWC code legend below for test weight class.

**ETWC LEGEND**

A = 1000	I = 2000	Q = 3000	Y = 4000
B = 1125	J = 2125	R = 3125	Z = 4250
C = 1250	K = 2250	S = 3250	AA = 4500
D = 1375	L = 2375	T = 3375	BB = 4750
E = 1500	M = 2500	U = 3500	CC = 5000
F = 1625	N = 2625	V = 3625	DD = 5250
G = 1750	O = 2750	W = 3750	EE = 5500
H = 1875	P = 2875	X = 3875	FF = 5750

\*\*\* Shipping Mass (weight) = Curb Weight Less:

---

38.5 Liters Gasoline Weight: 27 (kg)

---





-

-



# MVMA Specifications METRIC (U.S. Customary)

Vehicle Line Geo TRACKER  
 Model Year 1995 Issued 8/94 Revised (\*)           

Code	Equipment	Optional Equipment Differential Mass (weight)*			Remarks Restrictions, Requirements
		MASS, kg. (lb.)			
		Front	Rear	Total	
	Automatic Transmission	10.8 (23.8)	7.2 (15.9)	18.0 (39.7)	
	Rear Window Wiper Washer	0 (0)	1.4 (3.1)	1.4 (3.1)	
	LSi Interior Trim	0.8 (1.8)	4.2 (9.3)	5.0 (11.1)	
	Air Conditioning	13.8 (30.4)	2.4 (5.3)	16.2 (35.7)	
	Front Skid Plate	9.7 (21.4)	0.7 (1.5)	10.4 (22.9)	
	4 Valve Engine (For California)	13.0 (28.6)	2.0 (4.4)	15.0 (33.0)	
	Power Steering	8.0 (17.6)	0 (0)	8.0 (17.6)	

\* Also see Engine - General Section for dressed engine mass (weight.)



-

5

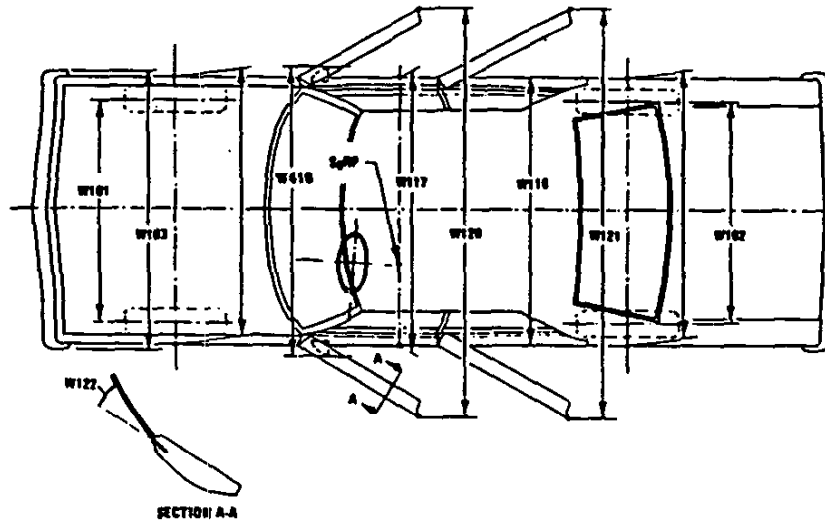


# MVMA Specifications

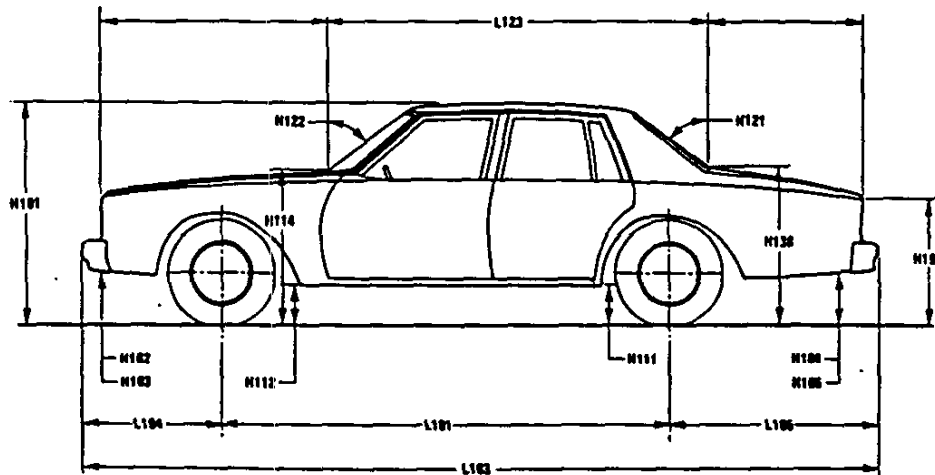
METRIC (U.S. Customary)

## Exterior Vehicle And Body Dimensions – Key Sheet

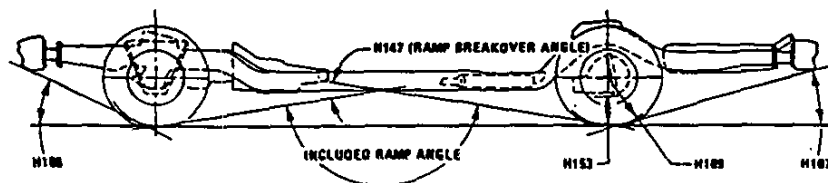
### Exterior Width



### Exterior Length & Height



### Exterior Ground Clearance





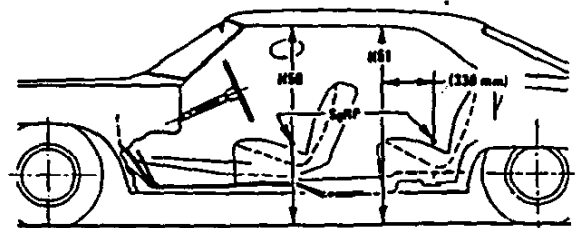
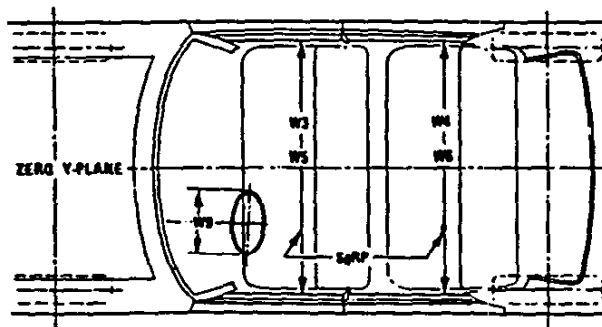
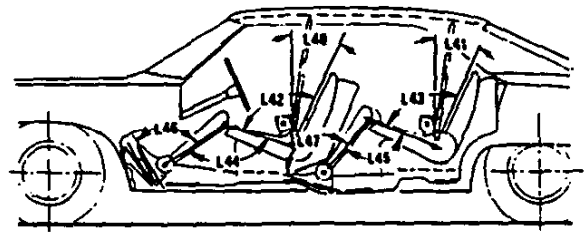
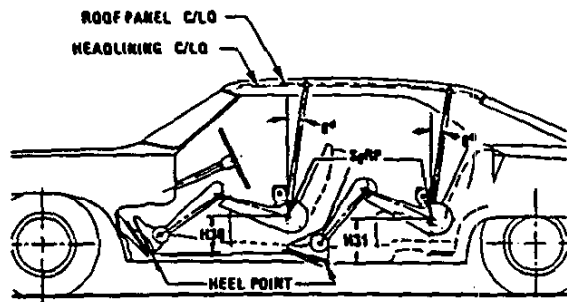
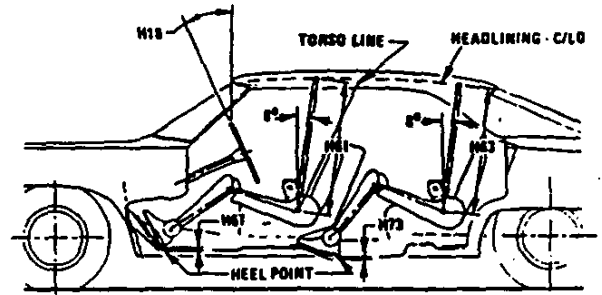
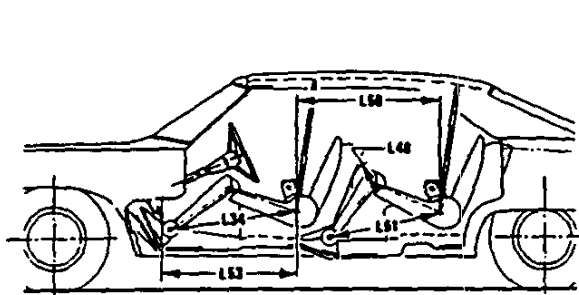
-  
-



# MVMA Specifications Form

## METRIC (U.S. Customary)

### Interior Vehicle And Body Dimensions - Key Sheet





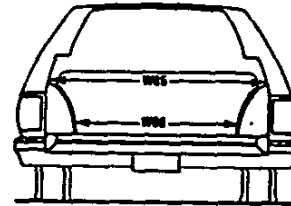
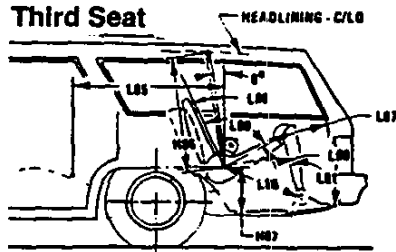
-  
-

|

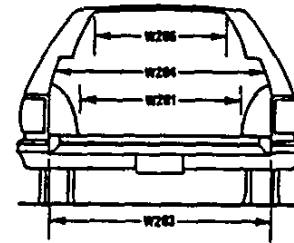
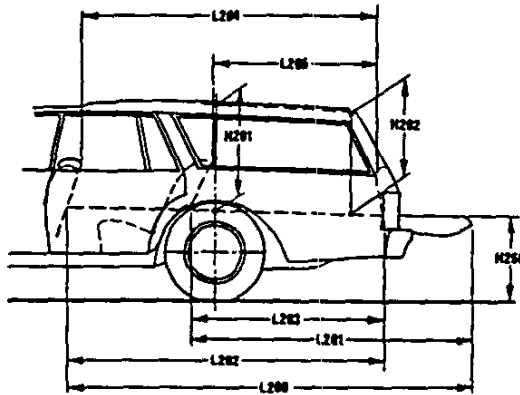


**MVMA Specifications**  
**METRIC (U.S. Customary)**

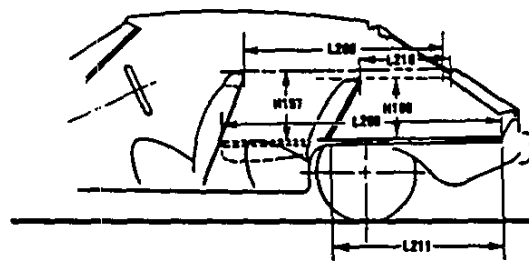
**Interior Vehicle And Body Dimensions - Key Sheet**



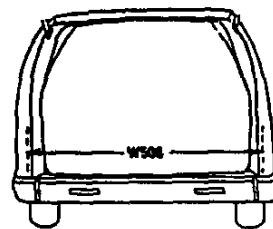
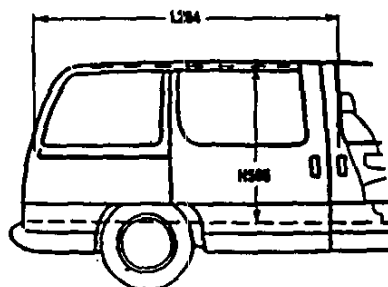
**Cargo Space**



**Station Wagon**



**Hatchback**



**Multipurpose Vehicle**





-  
-



# MVMA Specifications

## METRIC (U.S. Customary)

### Exterior Vehicle And Body Dimensions -- Key Sheet Dimensions Definitions

#### Seating Reference Point

SEATING REFERENCE POINT means the manufacturer's design reference point which --

- (a) Establishes the rearmost normal design driving or riding position of each designated seating position in a vehicle;
- (b) Has coordinates established relative to the design vehicle structure;
- (c) Simulates the position of the pivot center of the human torso and thigh; and
- (d) Is the reference point employed to position the two dimensional templates described in SAE Recommended Practice J826, "Devices for Use in Defining and Measuring Vehicle Seating Accommodations."

#### Width Dimensions

- W101 TREAD - FRONT. The dimension measured between the tire centerlines at the ground.
- W102 TREAD - REAR. The dimension measured between the tire centerlines at the ground. In case of dual wheels, the dimension will be measured to the centerline of tire and wheel assemblies.
- W103 VEHICLE WIDTH. The maximum dimension measured between the widest point on the vehicle, excluding exterior mirrors, flexible mud flaps, marker lamps, but including bumpers, moldings, sheet metal protrusions or dual wheels, if standard equipment.
- W117 BODY WIDTH AT SgRP - FRONT. The dimension measured laterally between the widest points on the body at the SgRP-front, excluding door handles, applied moldings, or appliques.
- W120 VEHICLE WIDTH - FRONT DOORS OPEN. The dimension measured between the widest point on the front doors in maximum hold-open position.
- W121 VEHICLE WIDTH - REAR DOORS OPEN. The dimension measured between the widest point on the rear doors in maximum hold-open position. For vehicles with a rear door on only one side, this dimension is to the zero "Y" plane.
- W122 TUMBLE-HOME. STRAIGHT SIDE GLASS. The angle measured from a vertical to the outside surface of the front door glass at the SgRP "X" plane.  
CURVED SIDE GLASS. The angle measured from a vertical to a chord extending from the upper DLO to the lower DLO at the outside surface of the front door glass at the front SgRP "X" plane.
- W410 OUTSIDE MIRROR WIDTH: The dimension between the widest point on the outside mirrors. The standard right and left mirror adjusted for normal driving will be shown unless otherwise noted. When only one outside mirror is standard, the dimension will be to the zero "Y" plane.

#### Length Dimensions

- L101 WHEELBASE (WB). The dimension measured longitudinally between front and rear wheel centerlines. In case of dual rear axles, the dimension shall be to the midpoint of the centerlines of the rear wheels.
- L103 VEHICLE LENGTH. The maximum dimension measured longitudinally between the foremost point and the rearmost point on the vehicle, including bumper, bumper guards, tow hooks and/or rub strips, if standard equipment.
- L104 OVERHAND - FRONT. The dimension measured longitudinally from the centerline of the front wheels to the foremost point on the vehicle including bumper, bumper guards, tow hooks and/or rub strips, if standard equipment.
- L105 OVERHANG - REAR. The dimension measured longitudinally from the centerline of the rear wheels; or in the case of dual rear axles, the dimension shall be the midpoint of the centerlines of the rear wheels, to the rearmost point on the vehicle including rear bumpers, bumper guards, tow hooks and rub strips, if standard equipment.

- L123 UPPER STRUCTURE LENGTH. The dimension measured longitudinally from the cowl point to the deck point.
- L127 REAR WHEEL CENTERLINE "X" COORDINATE or in the case of dual rear axles, the coordinate shall be the midpoint of the distance between the rear axle centerlines.

#### Height Dimensions

- H101 VEHICLE HEIGHT. The dimension measured vertically from the highest point on the vehicle body to ground.
- H111 ROCKER PANEL - REAR TO GROUND. The dimension measured vertically from the bottom of the rocker or side quarter panel at the front of the rear wheel opening, excluding flanges, to ground.
- H112 ROCKER PANEL - FRONT TO GROUND. The dimension measured vertically from the foremost point on the bottom of the rocker panels, excluding flanges, to ground.
- H114 COWL POINT TO GROUND. Measured at zero "Y" plane.
- H121 BACKLIGHT SLOPE ANGLE. The angle between the vertical reference line and the surface of backlight at vehicle zero "Y" plane. For curve backlight, the angle is to chord of backlight arc from lower DLO to upper DLO.
- H122 WINDSHIELD SLOPE ANGLE. The angle between the vertical reference line and a chord of the windshield arc running from the lower DLO to the upper DLO at the vehicle zero "Y" plane. In the case of wrap over glass, the angle to be measured will be formed by a chord 457 mm (18.0 in.) long drawn from the lower DLO to the intersecting point on the windshield.
- H138 DECK POINT TO GROUND. Measured at zero "Y" plane.
- H109 STATIC LOAD - TIRE RADIUS - REAR. Specified by the manufacturer in accordance with composite TIRE SECTION STANDARD.

#### Ground Clearance Dimensions

- H102 FRONT BUMPER TO GROUND. The minimum dimension measured vertically from the lowest point on the front bumper to ground, including bumper guards, if standard equipment.
- H103 FRONT BUMPER TO GROUND - CURB MASS (WT.). Measured in the same manner as H102.
- H104 REAR BUMPER TO GROUND. The minimum dimension measured vertically from the lowest point on the rear bumper to ground, including bumper guards, if standard equipment.
- H105 REAR BUMPER TO GROUND - CURB MASS (WT.). Measured in the same manner as H104.
- H106 ANGLE OF APPROACH. The angle measured between a line tangent to the front tire static loaded radius arc and the initial point of structural interference forward of the front tire to ground. The limiting structural component shall be designated.
- H107 ANGLE OF DEPARTURE. The angle measured between a line tangent to the rear tire static loaded radius arc and the initial point of structural interference rearward of the rear tire to ground. The limiting component shall be designated.
- H147 RAMP BREAKOVER ANGLE. The angle measured between two lines tangent to the front and rear tire static loaded radius and intersecting at a point on the underside of the vehicle which defines the largest ramp over which the vehicle can roll.
- H153 REAR AXLE DIFFERENTIAL TO GROUND. The minimum dimension measured from the rear axle differential to ground.
- H156 MINIMUM RUNNING GROUND CLEARANCE. The minimum dimension measured from the sprung vehicle to ground. Specify location.



1  
2

1

1

# MVMA Specifications

## METRIC (U.S. Customary)

### Interior Vehicle And Body Dimensions - Key Sheet Dimensions Definitions

#### Glass Areas

- S1 Windshield area.
- S2 Side windows area. Includes the front door, rear door, vents, and rear quarter windows on both sides of the vehicle.
- S3 Backlight areas.
- S4 Total area. Total of all areas (S1 + S2 + S3).

#### Fiducial Mark Dimensions

- Fiducial Mark - Number 1**
- L54 "X" coordinate.
  - W21 "Y" coordinate.
  - H81 "Z" coordinate.
  - H161 Height "Z" coordinate to ground at curb weight.
  - H163 Height "Z" coordinate to ground.
- Fiducial Mark - Number 2**
- L55 "X" coordinate.
  - W22 "Y" coordinate.
  - W82 "Z" coordinate.
  - H162 Height "Z" coordinate to ground at curb weight.
  - H164 Height "Z" coordinate to ground.

#### Front Compartment Dimensions

- L11 ACCELERATOR HEEL POINT TO STEERING WHEEL CENTER. The dimension measured horizontally from the AHP to the intersection of the steering column centerline and a plane tangent to the upper surface of the steering wheel rim.
- L17 DESIGN H-POINT - FRONT TRAVEL. The dimension measured horizontally between the design H-point - front in the foremost and rearmost seat track positions. (See SAE J1100)
- L23 NORMAL DRIVING AND RIDING SEAT TRACK TRAVEL. The dimension measured horizontally between a point on the design H-point travel line from the SgRP to the displaced point on the design H-point travel line with the seat moved to the foremost seat position, but not to include seat track travel used for purposes other than normal driving and riding positions. (See SAE J1100).
- L31 SgRP - FRONT. "X" COORDINATED.
- L34 MAXIMUM EFFECTIVE LEG ROOM - ACCELERATOR. The dimension measured along a line from the ankle pivot center to the SgRP - front plus 254 mm (10.0 in.) measured with right foot on the undepressed accelerator pedal. For vehicles with SgRP to heel (H30) greater than 18 in., the accelerator pedal may be depressed as specified by the manufacturer. If the accelerator is depressed, the manufacturer shall place foot flat on pedal and note the depression of the pedal.
- L-40 BACK ANGLE - FRONT. The angle measured between a vertical line through the SgRP - front and the torso line. If the seatback is adjustable, use the normal driving and riding position specified by the manufacturer.
- L-42 HIP ANGLE - FRONT. The angle measured between torso line and thigh centerline.
- L44 KNEE ANGLE - FRONT. The angle measured between thigh centerline and lower leg centerline measured on the right leg.
- L46 FOOT ANGLE - FRONT. The angle measured between the lower leg centerline and a line tangent to the ball and heel of the bare foot flesh line measured on the right leg. Ref SAE J826.
- L53 SgRP - FRONT TO HEEL. The dimension measured horizontally from the SgRP - front to the accelerator heel point.
- W3 SHOULDER ROOM - FRONT. The minimum dimension measured laterally between the trimmed surfaces on the "X" plane through the SgRP - front at height between the belt line and 254 mm (10.0 in.) above the SgRP - front, excluding the door assist strap and attaching parts.

- W5 HIP ROOM - FRONT. The minimum dimension measured laterally between the trimmed surfaces on the "X" plane through the SgRP - front within 25 mm (1.0 in.) below and 76 mm (3.0 in.) above the SgRP - front and 76 mm (3.0 in.) fore and aft of the SgRP - front.
- W9 STEERING WHEEL MAXIMUM OUTSIDE DIAMETER. Define if other than round.
- H7 ACCELERATOR HEEL POINT TO THE STEERING WHEEL CENTER. The dimension measured vertically from the AHP - front to the intersection of the steering column centerline to a plane tangent to the upper surface of the steering wheel rim.
- H18 STEERING WHEEL ANGLE. The angle measured from a vertical to the surface plane of the steering wheel.
- H30 SgRP - FRONT TO HEEL. The dimension measured vertically from the SgRP - front to the accelerator heel point.
- H50 UPPER BODY OPENING TO GROUND - FRONT. The dimension measured vertically from the trimmed body opening to the ground on the SgRP - front "X" plane.
- H61 EFFECTIVE HEAD ROOM - FRONT. The dimension measured along a line 8 deg. rear of vertical from the SgRP - front to the headlining plus 102 mm (4.0 in.).
- H67 FLOOR COVERING THICKNESS - UNDEPRESSED - FRONT. The dimension measured vertically from the surface of the undepressed floor covering to the underbody sheet metal at the accelerator heel point.

#### Rear Compartment Dimensions

- L-41 BACK ANGLE - SECOND. The angle measured between a vertical line through the SgRP - second and the torso line.
- L43 HIP ANGLE - SECOND. The angle measured between torso line and thigh centerline.
- L45 KNEE ANGLE - SECOND. The angle measured between thigh centerline and lower leg centerline.
- L47 FOOT ANGLE - SECOND. The angle measured between the lower leg centerline and a line tangent to the ball and heel of the three-dimensional devices bare foot flesh line (Reference J826).
- L48 KNEE CLEARANCE - SECOND. The minimum dimension measured from the knee pivot center to the back of the front seatback minus 51 mm (2.0 in.).
- L50 SgRP COUPLED DISTANCE - SECOND. The dimension measured horizontally from the driver SgRP - front to the SgRP - second.
- L51 MINIMUM EFFECTIVE LEG ROOM - SECOND. The dimension measured along a line from the ankle pivot center to the SgRP - second plus 254 mm (10.0 in.).
- W4 SHOULDER ROOM - SECOND. The minimum dimension measured laterally between door or quarter trimmed surfaces on the "X" plane through the SgRP - second at height between 254-406 mm (10.0-16.0 in.) above the SgRP - second, excluding the door assist straps and attaching parts.
- W6 HIP ROOM - SECOND. Measured in the same manner as W5.
- H31 SgRP - SECOND TO HEEL. The dimension measured vertically from the SgRP - second to the two dimensional device heel point on the depressed floor covering.
- H51 UPPER BODY OPENING TO GROUND - SECOND. The dimension measured vertically from the trimmed body opening to the ground on the "X" plane 330 mm (13.0 in.) forward of the SgRP - second.
- H63 EFFECTIVE HEAD ROOM - SECOND. The dimension measured along a line 8 deg. rear of vertical from the SgRP to the headlining, plus 102 mm (4.0 in.).
- H73 FLOOR COVERING - DEPRESSED - SECOND. The dimension measured vertically from the heel point to the underbody sheet metal.



r

.



# MVMA Specifications

## METRIC (U.S. Customary)

### Interior Vehicle And Body Dimensions – Key Sheet Dimensions Definitions

#### Luggage Compartment Dimensions

V1 USABLE LUGGAGE CAPACITY – Total of volumes of individual pieces of standard luggage set plus H-boxes stowed in the luggage compartment in accordance with the procedure described in paragraph 8.2 of SAE-J1100a.

#### Interior Volumes (EPA Classification)

The Interior Volume Index is listed for each body style except two seaters. The Interior Volume Index estimates the space in a car. It is based on four measurements – head room, shoulder room, hip room, and leg room – for the front and rear seats, plus trunk capacity.

The Trunk/Cargo Index is an estimate of the size of the trunk/cargo space. In station wagons and hatchbacks it is an estimate of the space behind the second seat.

#### Station Wagon / MPV – Third Seat Dimensions

- L85 SgRP COUPLE DISTANCE – THIRD. The dimension measured horizontally from the SgRP – second to the SgRP – third.
- L86 EFFECTIVE LEG ROOM – THIRD. The dimension measured along a line from the ankle pivot center to the SgRP – third plus 254 mm (10.0 in.).
- L87 KNEE CLEARANCE – THIRD. The minimum dimension from the knee pivot center to the back of second seatback minus a constant of 51 mm (2.0 in.). With rear-facing third seat, dimension is measured to closure.
- L88 BACK ANGLE – THIRD. Measured in the same manner as L41.
- L89 HIP ANGLE – THIRD. Measured in the same manner as L43.
- L90 KNEE ANGLE – THIRD. Measured in the same manner as L45.
- L91 FOOT ANGLE – THIRD. Measured in the same manner as L47.
- W85 SHOULDER ROOM – THIRD. Measured in the same manner as W4.
- W86 HIP ROOM – THIRD. Measured in the same manner as W5.
- H66 EFFECTIVE HEAD ROOM – THIRD. The dimension, measured along a line 8 deg. from the SgRP – third to the headlining rear of vertical plus a constant of 102 mm (4.0 in.).
- H87 SgRP – THIRD TO HEEL POINT.
- SD1 SEAT FACING DIRECTION – THIRD.

#### Station Wagon / MPV – Cargo Space Dimensions

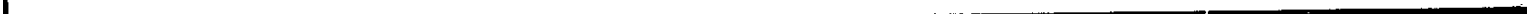
- L200 CARGO LENGTH – OPEN – FRONT. The minimum dimension measured longitudinally from the back of the front seatback at the height of the undepressed floor covering to the rearmost point on the undepressed floor covering on the open tailgate or cargo surface if the rear closure is a conventional door type tailgate at the zero "Y" plane.
- L201 CARGO LENGTH – OPEN – SECOND. The dimension measured longitudinally from the back of the second seatback at the height of the undepressed floor covering to the rearmost point on the undepressed floor covering on the open tailgate or cargo floor surface if the rear closure is a conventional door type tailgate, at the zero "Y" plane.

- L202 CARGO LENGTH – CLOSED – FRONT. The minimum dimension measured horizontally from the back of the front seat at the height of the undepressed floor covering to the rearmost point on the undepressed floor covering on the closed tailgate or taildoor for station wagons, trucks and mpv's at the zero "Y" plane.
- L203 CARGO LENGTH – CLOSED – SECOND. The dimension measured horizontally from the back of the second seat at the height of the undepressed floor covering to the rearmost point on the undepressed floor covering on the closed tailgate or taildoor for station wagons, trucks and mpv's at the zero "Y" plane.
- L204 CARGO LENGTH AT BELT – FRONT. The minimum dimension measured horizontally from the back of the front seatback at the seatback top to the foremost normal surface of the closed tailgate or inside surface of the cab backpanel at the height of the belt, on the zero "Y" plane.
- L205 CARGO LENGTH AT BELT – SECOND. The minimum dimension measured horizontally from the back of the second seatback at the seatback top to the foremost normal surface of the closed tailgate at the height of the belt, on the zero "Y" plane.
- W201 CARGO WIDTH – WHEELHOUSE. The minimum dimension measured laterally between the trimmed wheelhousings at floor level. For any vehicle not trimmed, measure to the sheet metal.
- W203 REAR OPENING WIDTH AT FLOOR. The minimum dimension measured laterally between the limiting interferences of the rear opening at floor level.
- W204 REAR OPENING WIDTH AT BELT. The minimum dimension measured laterally between the limiting interferences of the rear opening at belt height or top of pick up box.
- W205 REAR OPENING WIDTH ABOVE BELT. The minimum dimension measured laterally between the limiting interferences of the rear opening above the belt height.
- W500 CARGO WIDTH AT FLOOR. The maximum dimension measured laterally between the limiting interferences at the floor level. This dimension shall include ribs and pillars, but will exclude wheelhouses.
- H197 FRONT SEATBACK TO LOAD FLOOR HEIGHT. The dimension measured vertically from the horizontal tangent to the top of the seatback to the undepressed floor covering.
- H201 CARGO HEIGHT. The dimension measured vertically from the top of the undepressed floor covering to the headlining at the rear wheel "X" coordinate on the zero "Y" plane.
- H202 REAR OPENING HEIGHT. The dimension measured vertically from the top of the undepressed floor covering to the upper trimmed opening on the zero "Y" plane with rear door fully open.
- H250 TAILGATE TO GROUND CURB MASS (WT.). The dimension measured vertically from the top of the undepressed floor covering on the lowered tailgate to ground on the zero "Y" plane.
- H505 MAXIMUM CARGO HEIGHT. The maximum vertical dimension rear of the front seat from the cargo floor to roof bow or headlining at the zero "Y" plane.



2

4



# MVMA Specifications

## METRIC (U.S. Customary)

### Interior Vehicle And Body Dimensions - Key Sheet Dimensions Definitions

#### V2 STATION WAGON

Measured in inches:

$$\frac{W4 \times H201 \times L204}{1728} = \text{ft}^3$$

Measured in mm:

$$\frac{W4 \times H201 \times L204}{10^9} = \text{m}^3 \text{ (cubic meter)}$$

#### V4 HIDDEN LUGGAGE CAPACITY - REAR OF FRONT SEAT.

The total volumes of individual pieces of one set of standard luggage stowed in any hidden cargo area below the load floor rear of the front seat.

#### V5 TRUCKS AND MPV'S WITH OPEN AREA.

Measured in inches:

$$\frac{L506 \times W505 \times H503}{1728} = \text{ft}^3$$

Measured in mm:

$$\frac{L506 \times W505 \times H503}{10^9} = \text{m}^3 \text{ (cubic meter)}$$

#### V6 TRUCKS AND MPV'S WITH CLOSED AREA.

Measured in inches:

$$\frac{L204 \times W500 \times H505}{1728} = \text{ft}^3$$

Measured in mm:

$$\frac{L204 \times W500 \times H505}{10^9} = \text{m}^3 \text{ (cubic meter)}$$

#### V8 HIDDEN LUGGAGE CAPACITY - REAR OF SECOND SEAT.

The total volume of individual pieces of one set of standard luggage stowed in any hidden cargo area below the load floor rear of the second seat.

#### V10 STATION WAGON CARGO VOLUME INDEX.

Measured in inches:

$$\frac{H201 \times L205 \times \frac{W4 + W201}{2}}{1728} = \text{ft}^3$$

Measured in mm:

$$\frac{H201 \times L205 \times \frac{W4 + W201}{2}}{10^9} = \text{m}^3 \text{ (cubic meter)}$$

#### Hatchback - Cargo Space Dimensions

All hatchback cargo dimensions are to be taken with the front seat in full down and rear position, and the rear seat folded down. The hatchback door is in the closed position. (For electronically adjusted seats, see the manufacturer's specifications for Design "H" Point).

**L208 CARGO LENGTH AT FRONT SEATBACK HEIGHT.** The minimum horizontal dimension from the "X" plane tangent to the rearmost surface of the driver's seatback to the inside limiting interference of the hatchback door on the vehicle zero "Y" plane.

**L209 CARGO LENGTH AT FLOOR - FRONT.** The minimum horizontal dimension measured at floor level from the rear of the front seatback to the normal limiting interference of the hatchback door on the vehicle zero "Y" plane.

**L210 CARGO LENGTH AT SECOND SEATBACK HEIGHT.** The minimum dimension measured from the "X" plane tangent to the rearmost surface of second seatback or the load floor which is stowed at least one half of the H198 dimension height above the rear load floor, to the rearmost inside limiting interference on the zero "X" plane.

**L211 CARGO LENGTH AT FLOOR - SECOND SEATBACK.** The minimum horizontal dimension measured at floor level from the rear of the second seatback or load floor panel to the normal limiting interference of the hatchback door on the vehicle zero "Y" plane.

**H197 FRONT SEATBACK TO LOAD HEIGHT.** The dimension measured vertically from the horizontal tangent to the top of the seatback to the undepressed floor covering.

**H198 SECOND SEATBACK TO LOAD FLOOR HEIGHT:** The dimension measured vertically from the second seatback to the undepressed floor covering.

#### V3 HATCHBACK.

Measured in inches:

$$\frac{\frac{L208 + L209}{2} \times W4 \times H197}{1728} = \text{ft}^3$$

Measured in mm:

$$\frac{\frac{L208 + L209}{2} \times W4 \times H197}{10^9} = \text{m}^3 \text{ (cubic meter)}$$

**V4 HIDDEN LUGGAGE CAPACITY - REAR OF FRONT SEAT.** The total volumes of individual pieces of one set of standard luggage stowed in any hidden cargo area below the load floor rear of the front seat.

**V11 HATCHBACK CARGO VOLUME INDEX.** Usable luggage (one (1) stand and luggage set) below floor:

Measured in inches:

$$\frac{\frac{L210 + L211}{2} \times W4 \times H198}{1728} = \text{ft}^3$$

Measured in mm:

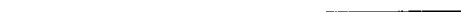
$$\frac{\frac{L210 + L211}{2} \times W4 \times H198}{10^9} = \text{m}^3 \text{ (cubic meter)}$$





3

4



# MVMA Specifications

## METRIC (U.S. Customary)

### Index

Subject	Page No.	Subject	Page No.
Alternator	16	Passenger Capacity	1
Axle Drive, Front, Rear, All Four	2, 9, 10	Passenger Mass Distribution	26
Axle Shafts	10	Pistons	3
Battery	16	Power Brakes	12
Body and Miscellaneous Information	17	Power, Engine	2
Brakes - Parking Service	12, 13	Power Steering	14
Camber	15	Power Teams	2
Camshaft	3	Propeller Shaft	10
Capacities		Pumps - Fuel	6
Cooling System	5	Water	5
Fuel Tank	6	Radiator - Cap, Hoses, Core	5
Lubricants		Ratios - Axle, Transaxle	2, 9, 10
Engine Crankcase	4	Compression	2
Transmission / Transaxle	8, 9	Steering	14
Rear Axle	10	Transmission / Transaxle	2, 8, 9
Carburetor	2, 6	Rear Axle	2, 10
Caster	15	Regulator - Alternator	16
Climate Control System	19	Restraint System	18
Clutch - Pedal Operated	8	Rims	13
Coil, Ignition	16	Rods - Connecting	4
Connecting Rods	4	Scrub Radius	14
Convenience Equipment	20-21	Seats	17
Cooling System	5	Shock Absorbers, Front & Rear	11
Crankshaft	4	Spark Plugs	16
Cylinders and Cylinder Head	3	Speedometer	15
Diesel Information	4	Springs - Front & Rear Suspension	11
Dimension Definitions		Stabilizer (Sway Bar) - Front & Rear	11
Key Sheet - Exterior	28, 31, 32	Starting System	16
Key Sheet - Interior	29, 30, 32, 33, 34	Steering	14
Electrical System	15, 16	Suppression - Ignition, Radio	16
Emission Controls	7	Suspension - Front & Rear	11
Engine - General		Tail Pipe	7
Bore, Stroke, Type	3	Theft Protection	21
Compression Ratio	2	Thermostat, Cooling	5
Displacement	2, 3	Tires	13
Firing Order, Cylinder Numbering	3	Toe-in	15
General Information, Power & Torque	2	Torque Converter	9
Intake System	4	Torque - Engine	2, 8, 9
Power Teams	2	Trailer Towing	21
Exhaust System	7	Transaxle	9
Equipment Availability, Convenience	20	Transmission - Types	2, 8, 9
Fan, Cooling	5	Transmission - Automatic	2, 9
Filters - Engine Oil, Fuel System	4	Transmission - Manual	2, 8
Four Wheel Drive	10	Transmission - Ratios	2, 8, 9
Frame	17	Tread	22
Front Suspension	11	Trunk Cargo Load	1
Front Wheel Drive Unit	10	Trunk Luggage Capacity	23
Fuel Economy, EPA	1	Turning Diameter	14
Fuel Injection	6	Utilized Construction	16
Fuel System	6	Universal Joints, Propeller Shaft	10
Fuel Tank	6	Valve System	4
Glass	18	Vehicle Dimensions	
Headlamps	18	Width	22
Headroom - Body	23, 24	Length	22
Heights	22	Height	22
Horns	15	Ground Clearance	22
Horsepower - Brake	2	Front Compartment	23
Ignition System	16	Rear Compartment	23
Inflation - Tires	13	Luggage Compartment	23
Interior Volumes	23	Station Wagon - Third Seat	24
Instruments	15	Station Wagon - Cargo Space	24
Legroom	23, 24	Hatchback - Cargo Space	24
Lengths	22	Fiducial Marks	25
Leveling, Suspension	11	Voltage Regulator	16
Others, Valve	4	Water Pump	5
Linings - Clutch, Brake	8, 12	Weights	26, 27
Lubrication - Engine Transmission / Transaxle	4, 8, 9	Wheel Alignment	15
Luggage Compartment	23	Wheelbase	22
Models	1	Wheels & Tires	13
Motor Starting	16	Wheel Spindle	14
Muffler	7	Widths	22
Origin	1	Windshield	18
		Windshield Wiper and Washer	15



4

5

